



US00D866706S

(12) **United States Design Patent** (10) **Patent No.:** **US D866,706 S**
Ceccarelli et al. (45) **Date of Patent:** **** Nov. 12, 2019**

(54) **FISHING DOWNRIGGER WEIGHT**

(71) Applicants: **Charles J Ceccarelli**, Mountain Home, ID (US); **Andrew W Walker**, Kuna, ID (US)

(72) Inventors: **Charles J Ceccarelli**, Mountain Home, ID (US); **Andrew W Walker**, Kuna, ID (US)

(**) Term: **15 Years**

(21) Appl. No.: **29/593,150**

(22) Filed: **Feb. 6, 2017**

(51) **LOC (12) Cl.** **22-05**

(52) **U.S. Cl.**
USPC **D22/145**

(58) **Field of Classification Search**
USPC D22/134, 145-146; 43/27.4, 43.1, 43.12, 43/43.13, 44.9, 44.91, 44.92, 44.95
CPC A01K 95/00; A01K 95/02; A01K 95/05
See application file for complete search history.

(56) **References Cited**

U.S. PATENT DOCUMENTS

D123,498 S *	11/1940	Curtis	D22/131
D171,931 S *	4/1954	Daves	D22/145
3,557,486 A *	1/1971	Wright	A01K 95/00
				43/44.89
D243,954 S *	4/1977	Raquel	D22/133
D257,470 S *	10/1980	Ciecierski	D22/145
4,733,492 A *	3/1988	Thompson	A01K 91/08
				43/27.4
4,813,172 A *	3/1989	McCue	A01K 91/08
				43/43.12
4,964,236 A *	10/1990	Adams	A01K 95/02
				43/44.9
5,148,623 A *	9/1992	Haskell	A01K 91/08
				43/43.13
5,309,666 A *	5/1994	Prince	A01K 95/00
				43/43.13
D375,783 S *	11/1996	Galligan, III	D22/145
D405,866 S *	2/1999	Laney	D22/126

D775,308 S *	12/2016	Kilian	D22/145
2012/0017490 A1 *	1/2012	Wessner	A01K 91/08
				43/43.12
2015/0089860 A1 *	4/2015	Temple	A01K 95/00
				43/43.1

* cited by examiner

Primary Examiner — Catherine R Oliver-Garcia
(74) *Attorney, Agent, or Firm* — Charles R. Clark

(57) **CLAIM**

We claim the ornamental design for a fishing downrigger weight, as shown and described.

DESCRIPTION

FIG. 1 is a perspective view from above the left rear quarter of a fishing downrigger weight showing our new design with a plain left side central panel;

FIG. 2 is a perspective view from below the right front quarter of the fishing downrigger weight with a plain right side central panel of FIG. 1;

FIG. 3 is a top view of the fishing downrigger weight of FIG. 1;

FIG. 4 is a bottom view of the fishing downrigger weight of FIG. 1;

FIG. 5 is a rear view of the fishing downrigger weight of FIG. 1;

FIG. 6 is a front view of the fishing downrigger weight of FIG. 1;

FIG. 7 is a left side view of the fishing downrigger weight of FIG. 1 with said plain left side central panel;

FIG. 8 is a right side view of the fishing downrigger weight of FIG. 1 with said plain right side central panel;

FIG. 9 is a left side view of the fishing downrigger weight of FIG. 1 with a first patterned left side central panel;

FIG. 10 is a right side view of the fishing downrigger weight of FIG. 1 with a first patterned right side central panel;

FIG. 11 is a left side view of the fishing downrigger weight of FIG. 1 with a second patterned left side central panel;

FIG. 12 is a right side view of the fishing downrigger weight of FIG. 1 with a second patterned right side central panel;

FIG. 13 is a left side view of the fishing downrigger weight of FIG. 1 with a third patterned left side central panel;

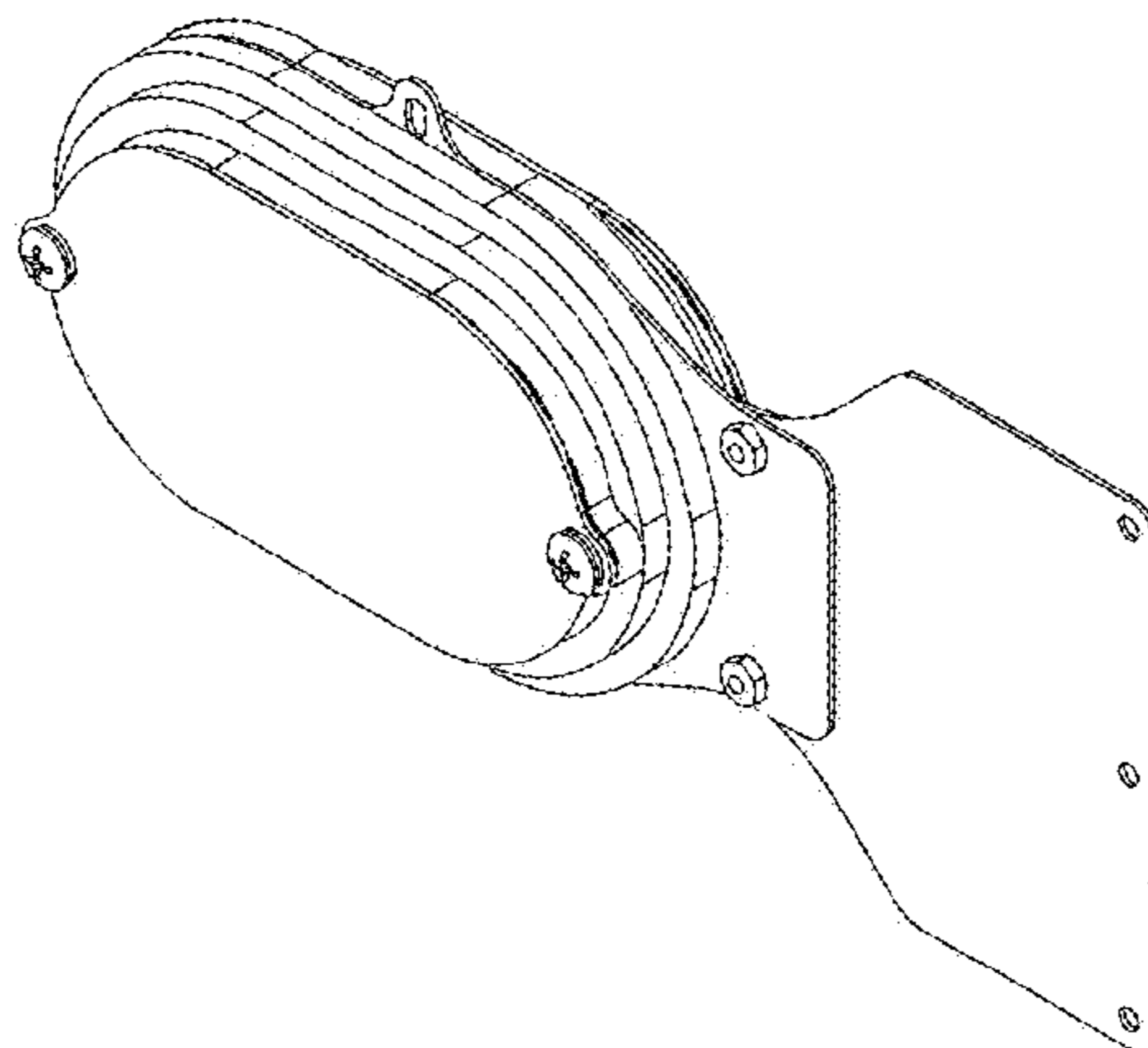


FIG. 74 is a right side view of the fishing downrigger weight of FIG. 67 with said plain right side central panel;
FIG. 75 is a left side view of the fishing downrigger weight of FIG. 67 with a first patterned left side central panel;
FIG. 76 is a right side view of the fishing downrigger weight of FIG. 67 with a first patterned right side central panel;
FIG. 77 is a left side view of the fishing downrigger weight of FIG. 67 with a second patterned left side central panel;
FIG. 78 is a right side view of the fishing downrigger weight of FIG. 67 with a second patterned right side central panel;
FIG. 79 is a left side view of the fishing downrigger weight of FIG. 67 with a third patterned left side central panel;
FIG. 80 is a right side view of the fishing downrigger weight of FIG. 67 with a third patterned right side central panel;
FIG. 81 is a left side view of the fishing downrigger weight of FIG. 67 with a fourth patterned left side central panel;
FIG. 82 is a right side view of the fishing downrigger weight of FIG. 67 with a fourth patterned right side central panel;
FIG. 83 is a left side view of the fishing downrigger weight of FIG. 67 with a fifth patterned left side central panel;
FIG. 84 is a right side view of the fishing downrigger weight of FIG. 67 with a fifth patterned right side central panel;
FIG. 85 is a left side view of the fishing downrigger weight of FIG. 67 with a sixth patterned left side central panel;
FIG. 86 is a right side view of the fishing downrigger weight of FIG. 67 with a sixth patterned right side central panel;
FIG. 87 is a left side view of the fishing downrigger weight of FIG. 67 with a seventh patterned left side central panel;
FIG. 88 is a right side view of the fishing downrigger weight of FIG. 67 with a seventh patterned right side central panel;
FIG. 89 is a perspective view from above the left rear quarter of a fishing downrigger weight showing an alternative fifth embodiment of a fishing downrigger weight with a plain left side central panel;
FIG. 90 is a perspective view from below the right front quarter of the fishing downrigger weight with a plain right side central panel of FIG. 89;
FIG. 91 is a top view of the fishing downrigger weight of FIG. 89;
FIG. 92 is a bottom view of the fishing downrigger weight of FIG. 89;
FIG. 93 is a rear view of the fishing downrigger weight of FIG. 89;
FIG. 94 is a front view of the fishing downrigger weight of FIG. 89;
FIG. 95 is a left side view of the fishing downrigger weight of FIG. 89 with said plain left side central panel;
FIG. 96 is a right side view of the fishing downrigger weight of FIG. 89 with said plain right side central panel;
FIG. 97 is a left side view of the fishing downrigger weight of FIG. 89 with a first patterned left side central panel;
FIG. 98 is a right side view of the fishing downrigger weight of FIG. 89 with a first patterned right side central panel;
FIG. 99 is a left side view of the fishing downrigger weight of FIG. 89 with a second patterned left side central panel;
FIG. 100 is a right side view of the fishing downrigger weight of FIG. 89 with a second patterned right side central panel;
FIG. 101 is a left side view of the fishing downrigger weight of FIG. 89 with a third patterned left side central panel;
FIG. 102 is a right side view of the fishing downrigger weight of FIG. 89 with a third patterned right side central panel;
FIG. 103 is a left side view of the fishing downrigger weight of FIG. 89 with a fourth patterned left side central panel;

FIG. 104 is a right side view of the fishing downrigger weight of FIG. 89 with a fourth patterned right side central panel;
FIG. 105 is a left side view of the fishing downrigger weight of FIG. 89 with a fifth patterned left side central panel;
FIG. 106 is a right side view of the fishing downrigger weight of FIG. 89 with a fifth patterned right side central panel;
FIG. 107 is a left side view of the fishing downrigger weight of FIG. 89 with a sixth patterned left side central panel;
FIG. 108 is a right side view of the fishing downrigger weight of FIG. 89 with a sixth patterned right side central panel;
FIG. 109 is a left side view of the fishing downrigger weight of FIG. 89 with a seventh patterned left side central panel;
FIG. 110 is a right side view of the fishing downrigger weight of FIG. 89 with a seventh patterned right side central panel;
FIG. 111 is a perspective view from above the left rear quarter of a fishing downrigger weight showing an alternative sixth embodiment of a fishing downrigger weight with a plain left side central panel;
FIG. 112 is a perspective view from below the right front quarter of the fishing downrigger weight with a plain right side central panel of FIG. 111;
FIG. 113 is a top view of the fishing downrigger weight of FIG. 111;
FIG. 114 is a bottom view of the fishing downrigger weight of FIG. 111;
FIG. 115 is a rear view of the fishing downrigger weight of FIG. 111;
FIG. 116 is a front view of the fishing downrigger weight of FIG. 111;
FIG. 117 is a left side view of the fishing downrigger weight of FIG. 111 with said plain left side central panel;
FIG. 118 is a right side view of the fishing downrigger weight of FIG. 111 with said plain right side central panel;
FIG. 119 is a left side view of the fishing downrigger weight of FIG. 111 with a first patterned left side central panel;
FIG. 120 is a right side view of the fishing downrigger weight of FIG. 111 with a first patterned right side central panel;
FIG. 121 is a left side view of the fishing downrigger weight of FIG. 111 with a second patterned left side central panel;
FIG. 122 is a right side view of the fishing downrigger weight of FIG. 111 with a second patterned right side central panel;
FIG. 123 is a left side view of the fishing downrigger weight of FIG. 111 with a third patterned left side central panel;
FIG. 124 is a right side view of the fishing downrigger weight of FIG. 111 with a third patterned right side central panel;
FIG. 125 is a left side view of the fishing downrigger weight of FIG. 111 with a fourth patterned left side central panel;
FIG. 126 is a right side view of the fishing downrigger weight of FIG. 111 with a fourth patterned right side central panel;
FIG. 127 is a left side view of the fishing downrigger weight of FIG. 111 with a fifth patterned left side central panel;
FIG. 128 is a right side view of the fishing downrigger weight of FIG. 111 with a fifth patterned right side central panel;
FIG. 129 is a left side view of the fishing downrigger weight of FIG. 111 with a sixth patterned left side central panel;

FIG. 130 is a right side view of the fishing downrigger weight of FIG. 111 with a sixth patterned right side central panel;

FIG. 131 is a left side view of the fishing downrigger weight of FIG. 111 with a seventh patterned left side central panel;

FIG. 132 is a right side view of the fishing downrigger weight of FIG. 111 with a seventh patterned right side central panel;

FIG. 133 is a perspective view from above the left rear quarter of a fishing downrigger weight showing an alternative seventh embodiment of a fishing downrigger weight with a plain left side central panel;

FIG. 134 is a perspective view from below the right front quarter of the fishing downrigger weight with a plain right side central panel of FIG. 133;

FIG. 135 is a top view of the fishing downrigger weight of FIG. 133;

FIG. 136 is a bottom view of the fishing downrigger weight of FIG. 133;

FIG. 137 is a rear view of the fishing downrigger weight of FIG. 133;

FIG. 138 is a front view of the fishing downrigger weight of FIG. 133;

FIG. 139 is a left side view of the fishing downrigger weight of FIG. 133 with said plain left side central panel;

FIG. 140 is a right side view of the fishing downrigger weight of FIG. 133 with said plain right side central panel;

FIG. 141 is a left side view of the fishing downrigger weight of FIG. 133 with a first patterned left side central panel;

FIG. 142 is a right side view of the fishing downrigger weight of FIG. 133 with a first patterned right side central panel;

FIG. 143 is a left side view of the fishing downrigger weight of FIG. 133 with a second patterned left side central panel;

FIG. 144 is a right side view of the fishing downrigger weight of FIG. 133 with a second patterned right side central panel;

FIG. 145 is a left side view of the fishing downrigger weight of FIG. 133 with a third patterned left side central panel;

FIG. 146 is a right side view of the fishing downrigger weight of FIG. 133 with a third patterned right side central panel;

FIG. 147 is a left side view of the fishing downrigger weight of FIG. 133 with a fourth patterned left side central panel;

FIG. 148 is a right side view of the fishing downrigger weight of FIG. 133 with a fourth patterned right side central panel;

FIG. 149 is a left side view of the fishing downrigger weight of FIG. 133 with a fifth patterned left side central panel;

FIG. 150 is a right side view of the fishing downrigger weight of FIG. 133 with a fifth patterned right side central panel;

FIG. 151 is a left side view of the fishing downrigger weight of FIG. 133 with a sixth patterned left side central panel;

FIG. 152 is a right side view of the fishing downrigger weight of FIG. 133 with a sixth patterned right side central panel;

FIG. 153 is a left side view of the fishing downrigger weight of FIG. 133 with a seventh patterned left side central panel;

FIG. 154 is a right side view of the fishing downrigger weight of FIG. 133 with a seventh patterned right side central panel;

FIG. 155 is a perspective view from above the left rear quarter of a fishing downrigger weight showing an alternative eighth embodiment of a fishing downrigger weight with a plain left side central panel;

FIG. 156 is a perspective view from below the right front quarter of the fishing downrigger weight with a plain right side central panel of FIG. 155;

FIG. 157 is a top view of the fishing downrigger weight of FIG. 155;

FIG. 158 is a bottom view of the fishing downrigger weight of FIG. 155;

FIG. 159 is a rear view of the fishing downrigger weight of FIG. 155;

FIG. 160 is a front view of the fishing downrigger weight of FIG. 155;

FIG. 161 is a left side view of the fishing downrigger weight of FIG. 155 with said plain left side central panel;

FIG. 162 is a right side view of the fishing downrigger weight of FIG. 155 with said plain right side central panel;

FIG. 163 is a left side view of the fishing downrigger weight of FIG. 155 with a first patterned left side central panel;

FIG. 164 is a right side view of the fishing downrigger weight of FIG. 155 with a first patterned right side central panel;

FIG. 165 is a left side view of the fishing downrigger weight of FIG. 155 with a second patterned left side central panel;

FIG. 166 is a right side view of the fishing downrigger weight of FIG. 155 with a second patterned right side central panel;

FIG. 167 is a left side view of the fishing downrigger weight of FIG. 155 with a third patterned left side central panel;

FIG. 168 is a right side view of the fishing downrigger weight of FIG. 155 with a third patterned right side central panel;

FIG. 169 is a left side view of the fishing downrigger weight of FIG. 155 with a fourth patterned left side central panel;

FIG. 170 is a right side view of the fishing downrigger weight of FIG. 155 with a fourth patterned right side central panel;

FIG. 171 is a left side view of the fishing downrigger weight of FIG. 155 with a fifth patterned left side central panel;

FIG. 172 is a right side view of the fishing downrigger weight of FIG. 155 with a fifth patterned right side central panel;

FIG. 173 is a left side view of the fishing downrigger weight of FIG. 155 with a sixth patterned left side central panel;

FIG. 174 is a right side view of the fishing downrigger weight of FIG. 155 with a sixth patterned right side central panel;

FIG. 175 is a left side view of the fishing downrigger weight of FIG. 155 with a seventh patterned left side central panel;

and,
FIG. 176 is a right side view of the fishing downrigger weight of FIG. 155 with a seventh patterned right side central panel.

The broken lines shown in the figures are to show environment and form no part of the claimed design.

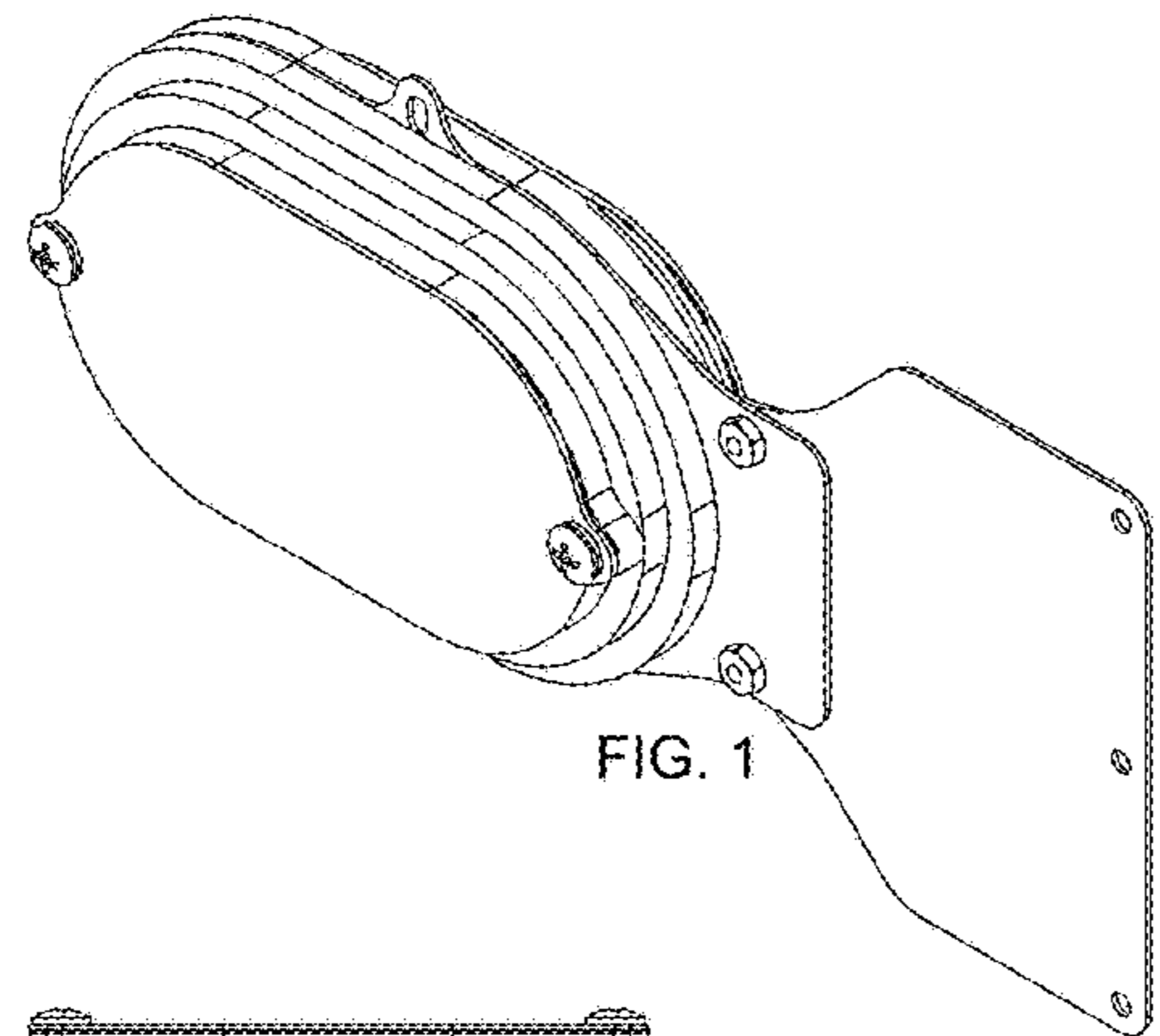


FIG. 1

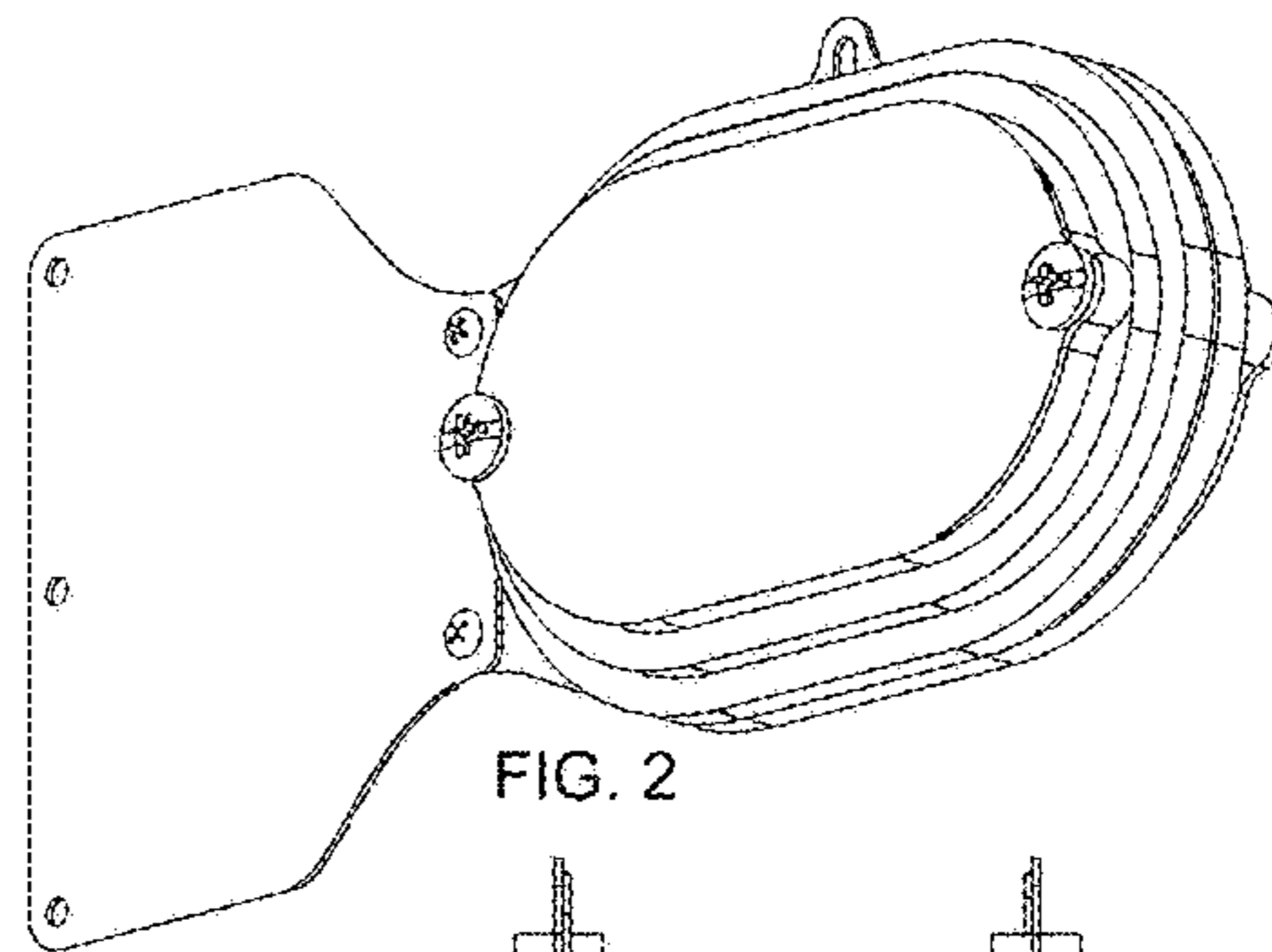


FIG. 2

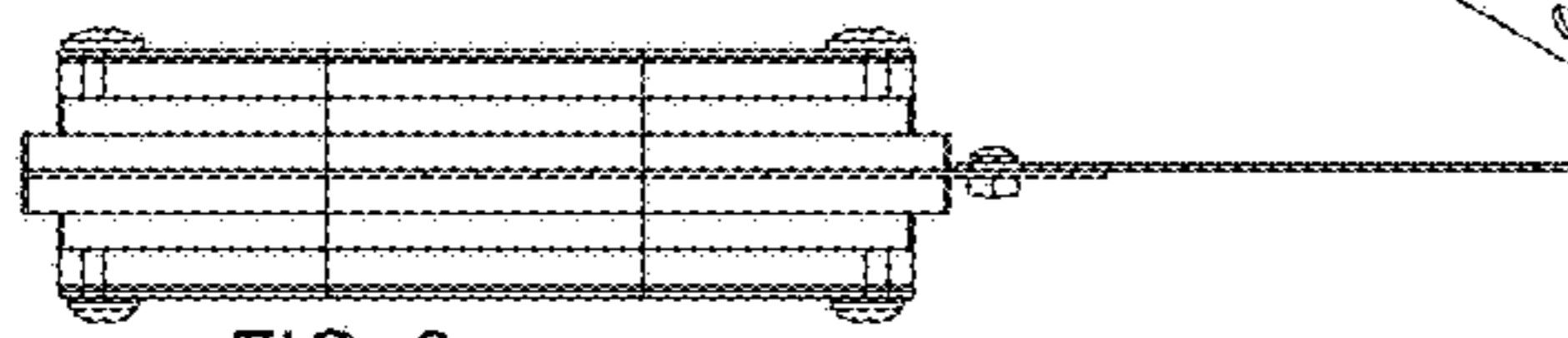


FIG. 3

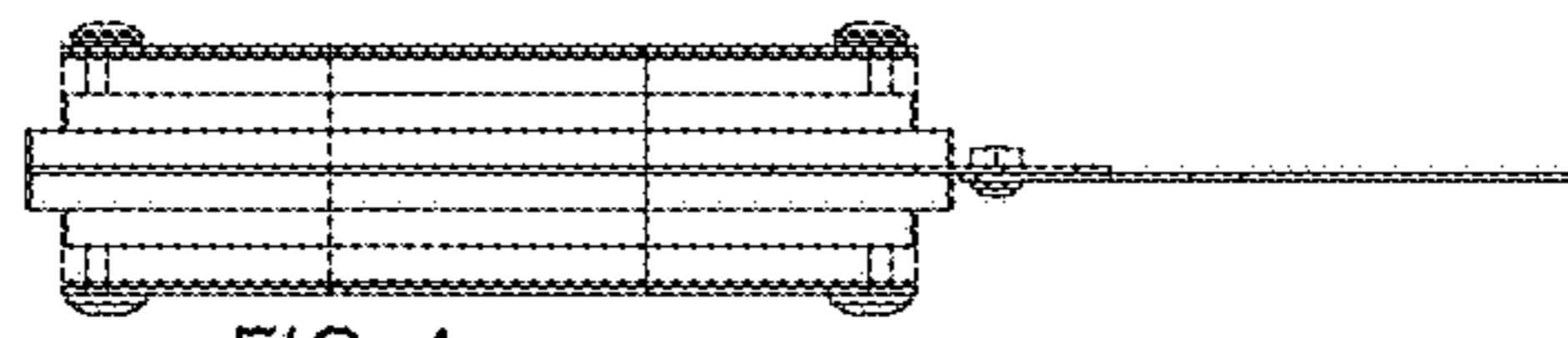


FIG. 4

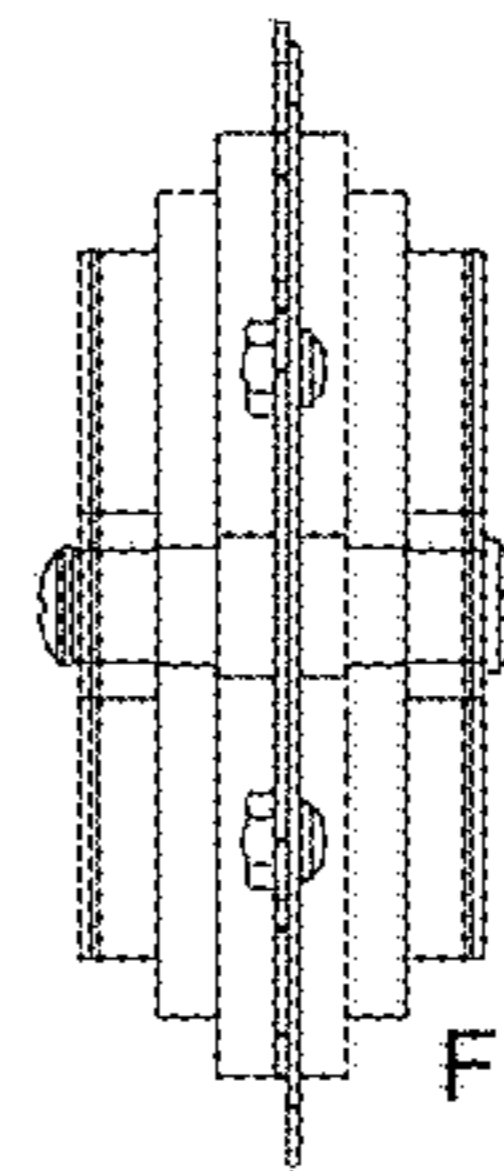


FIG. 5

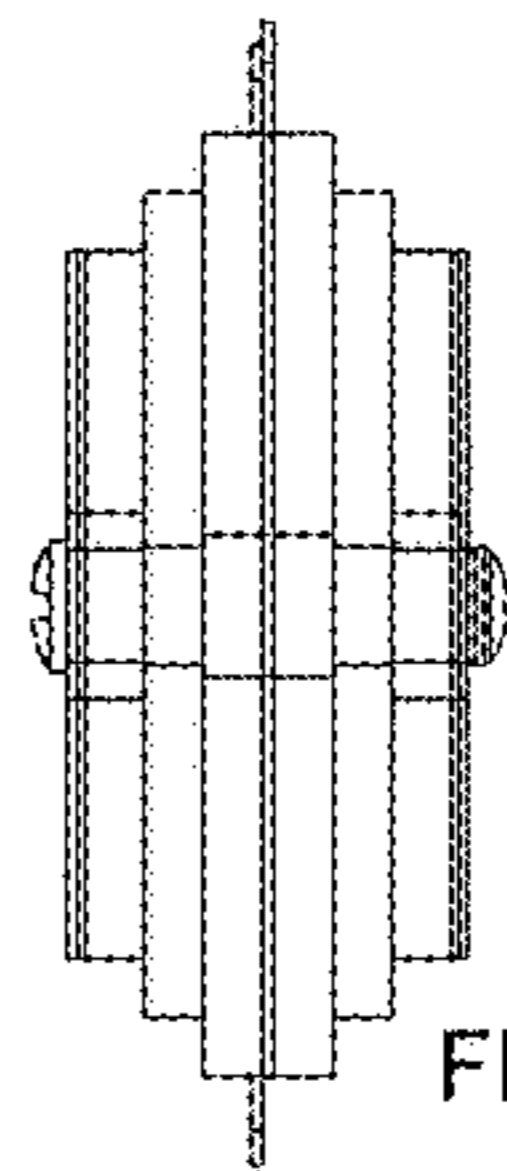


FIG. 6

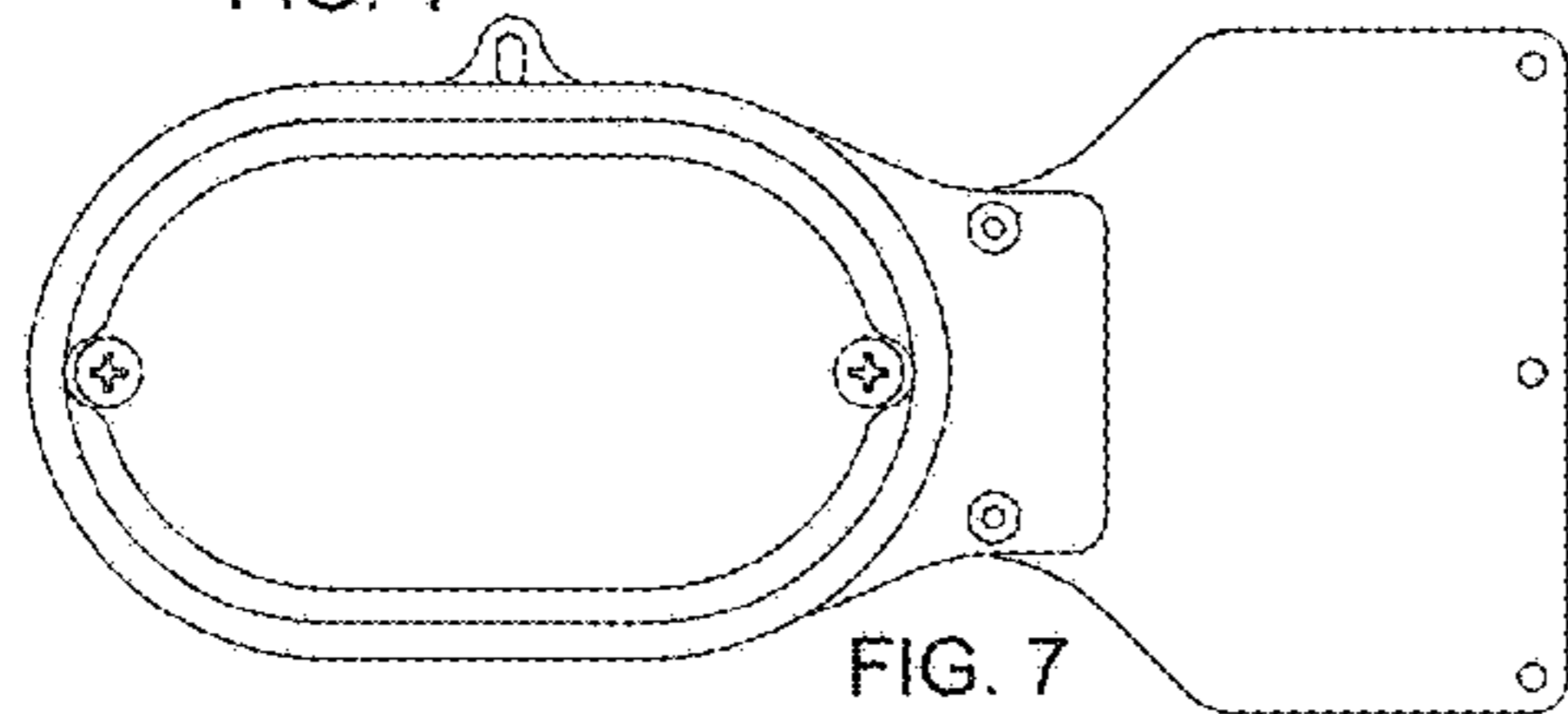


FIG. 7

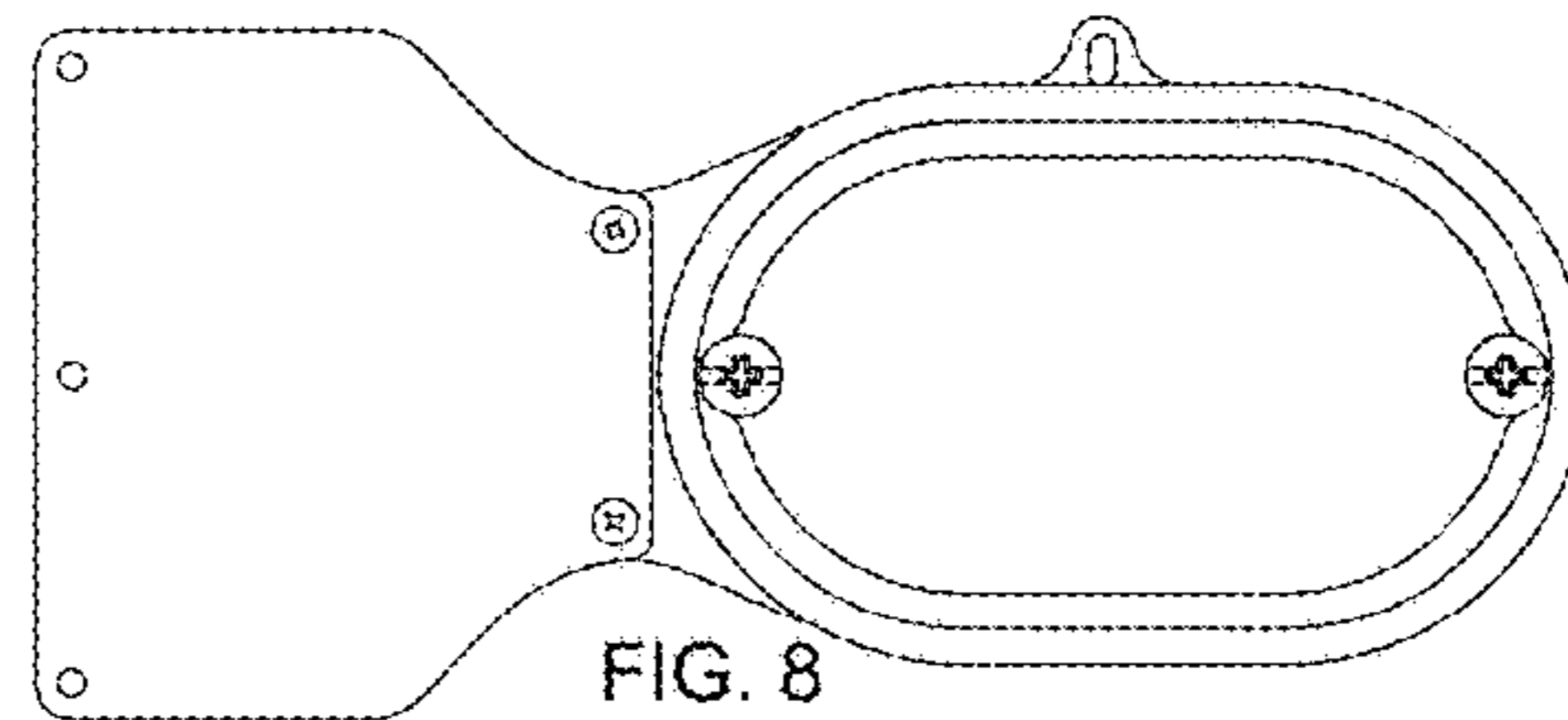


FIG. 8

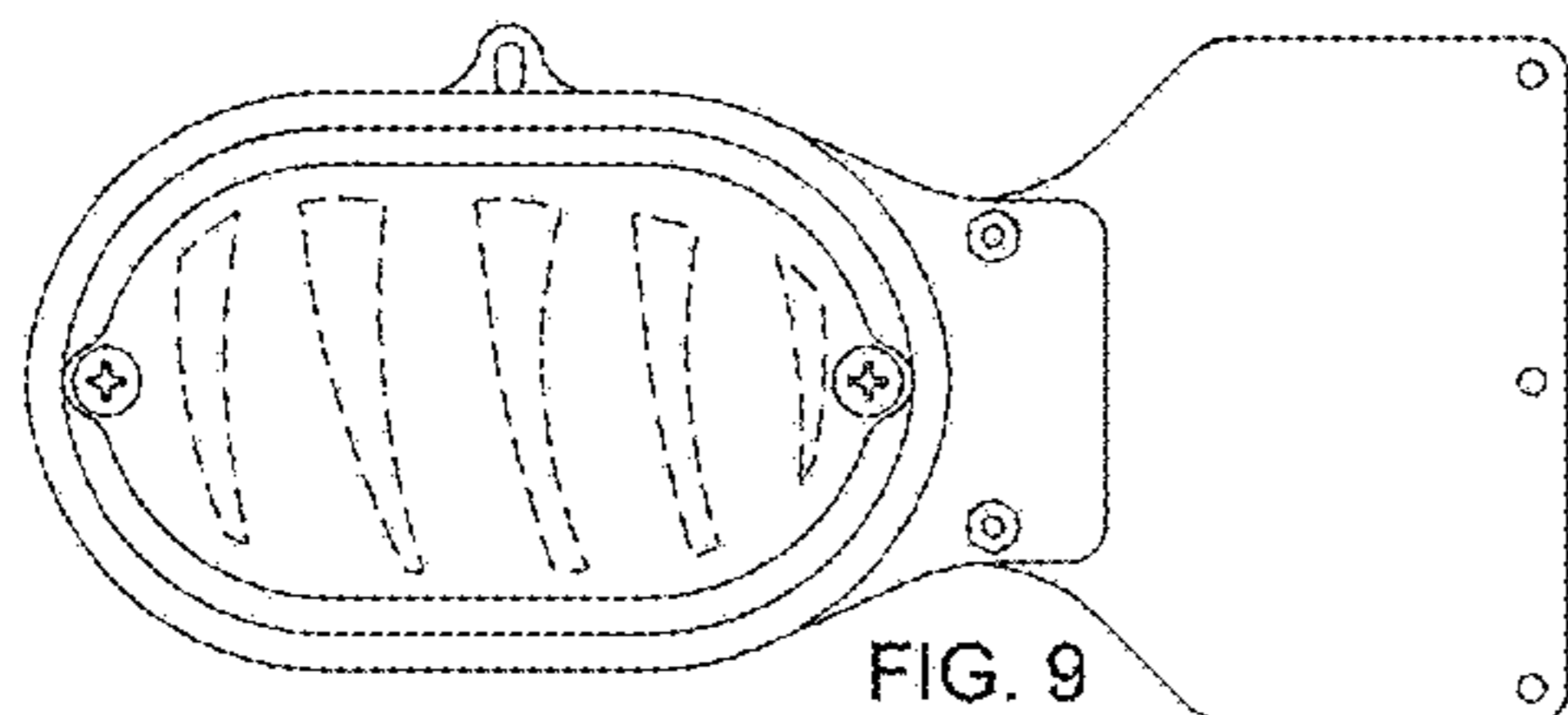


FIG. 9

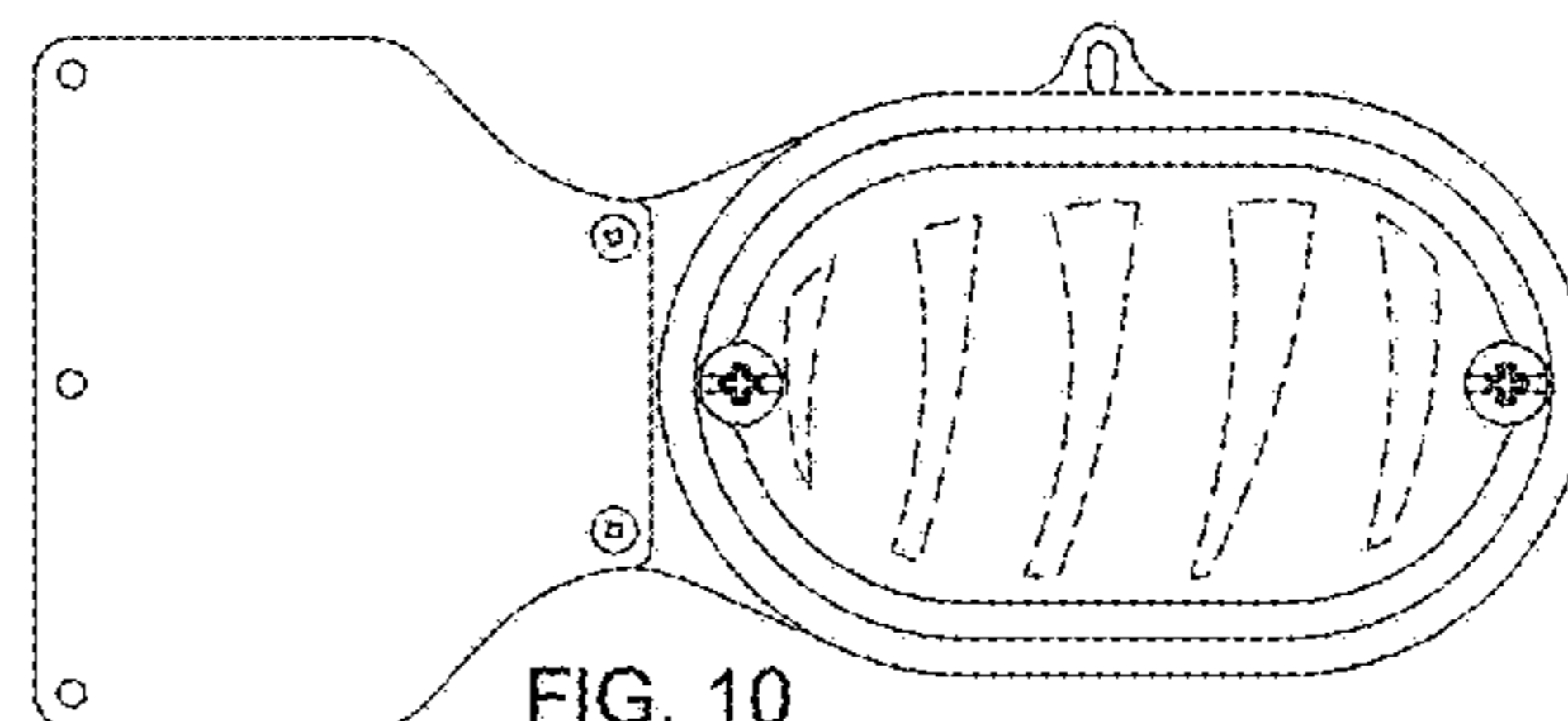


FIG. 10

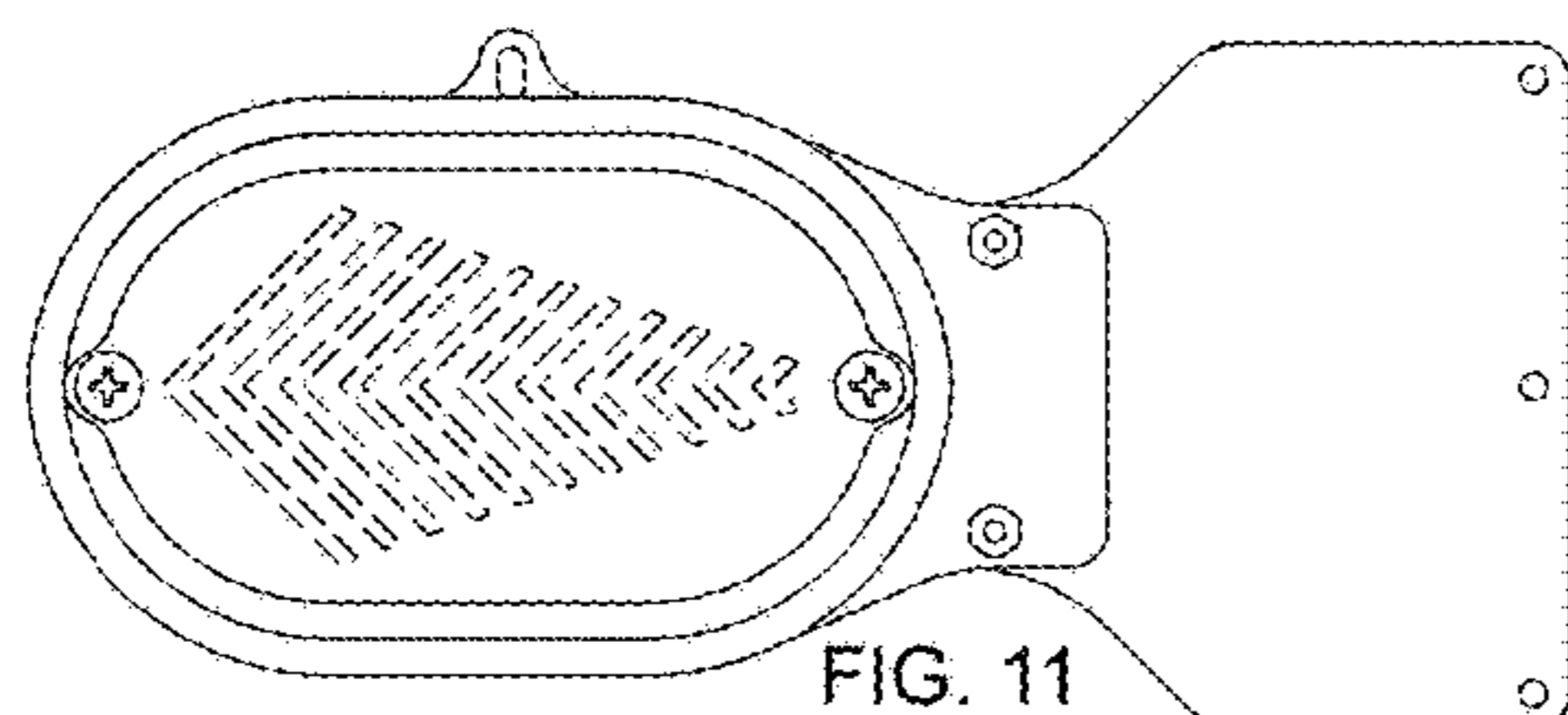


FIG. 11

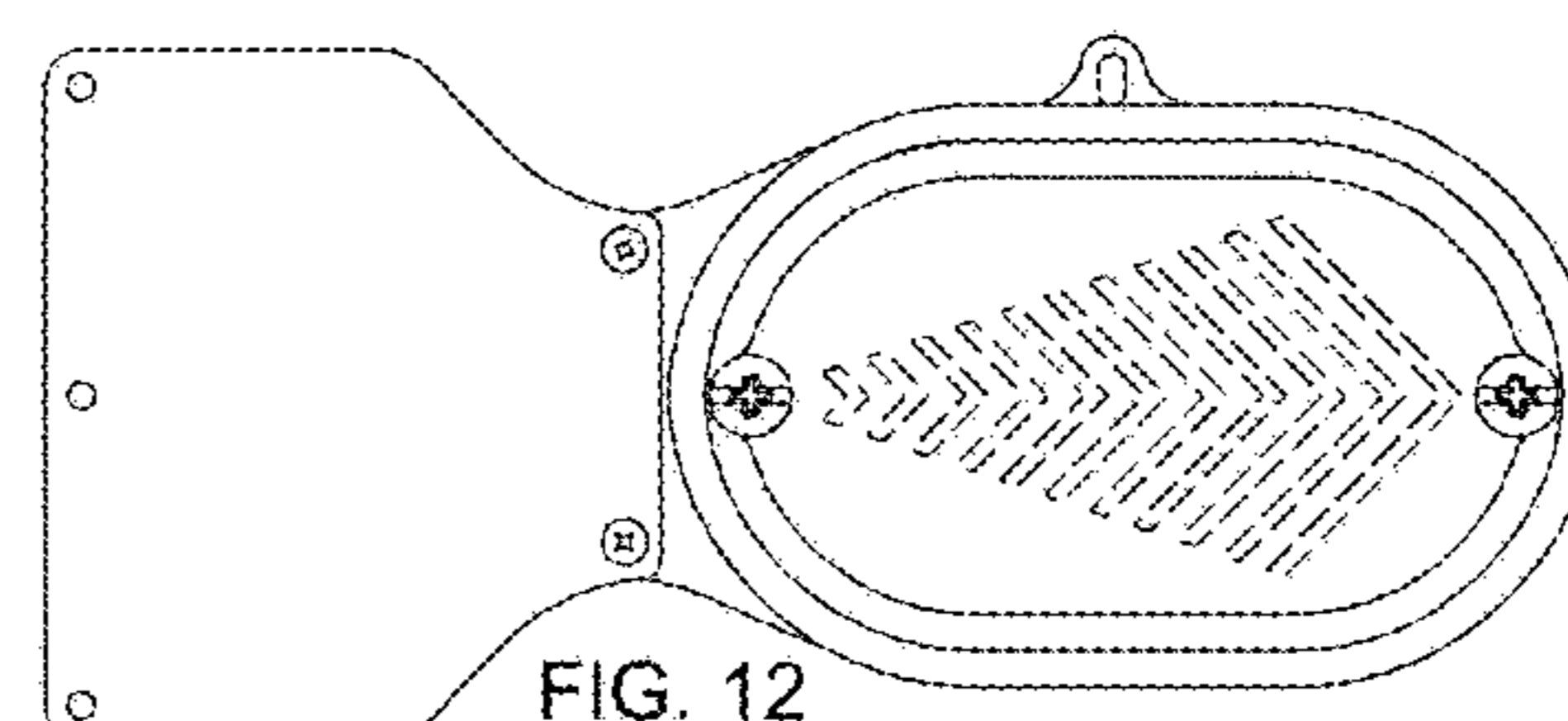
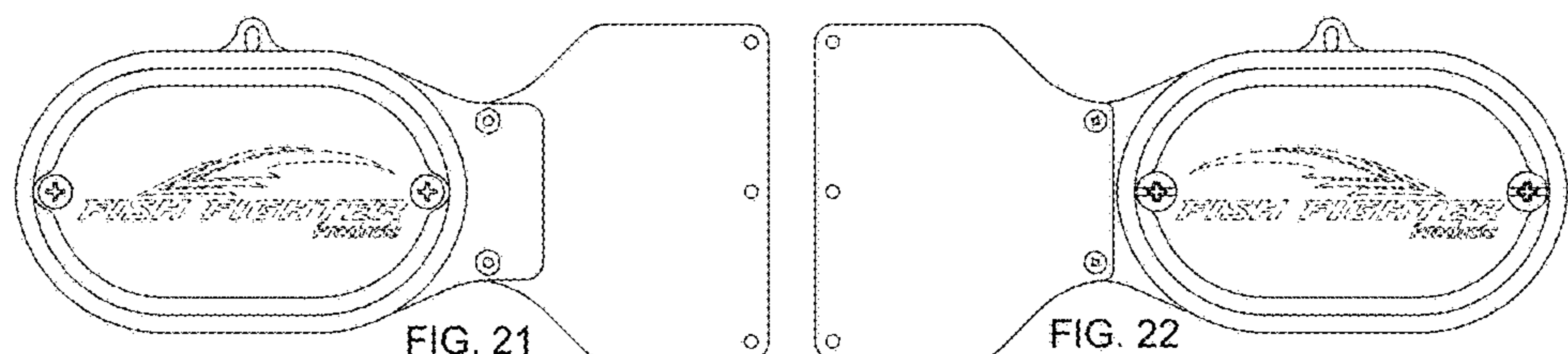
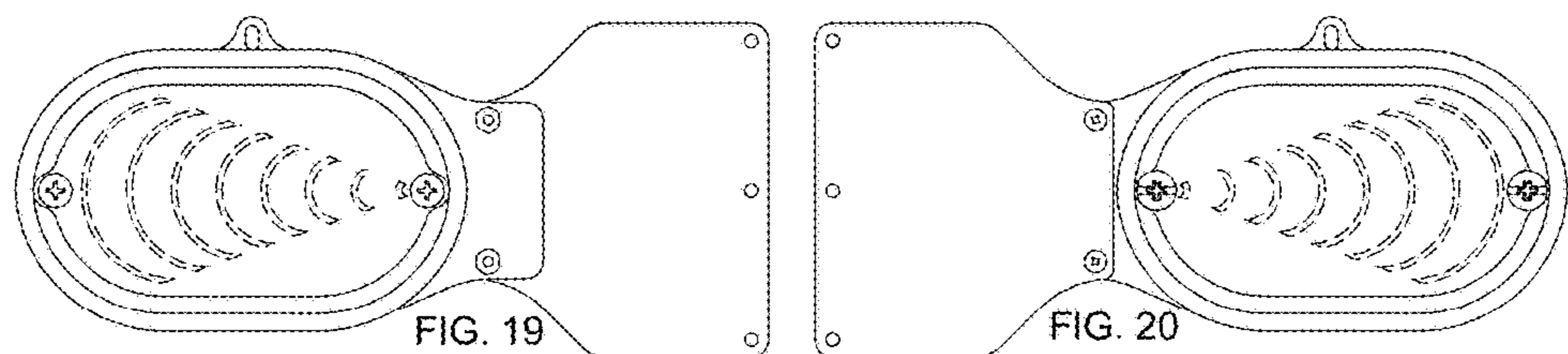
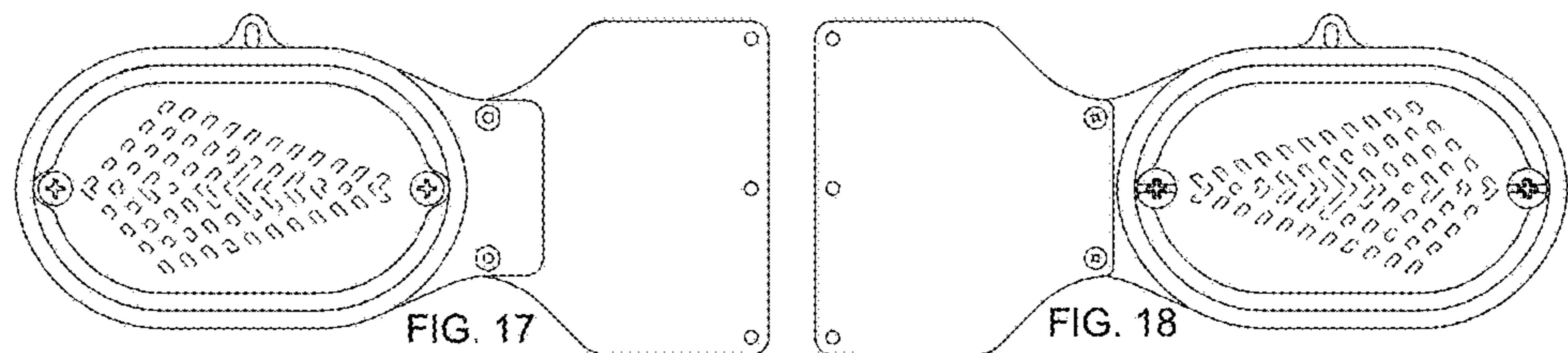
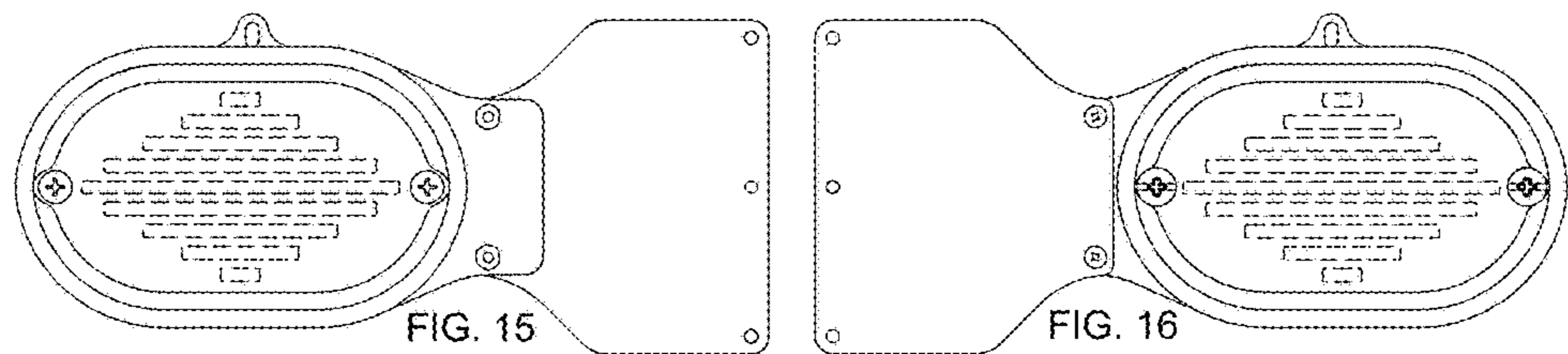
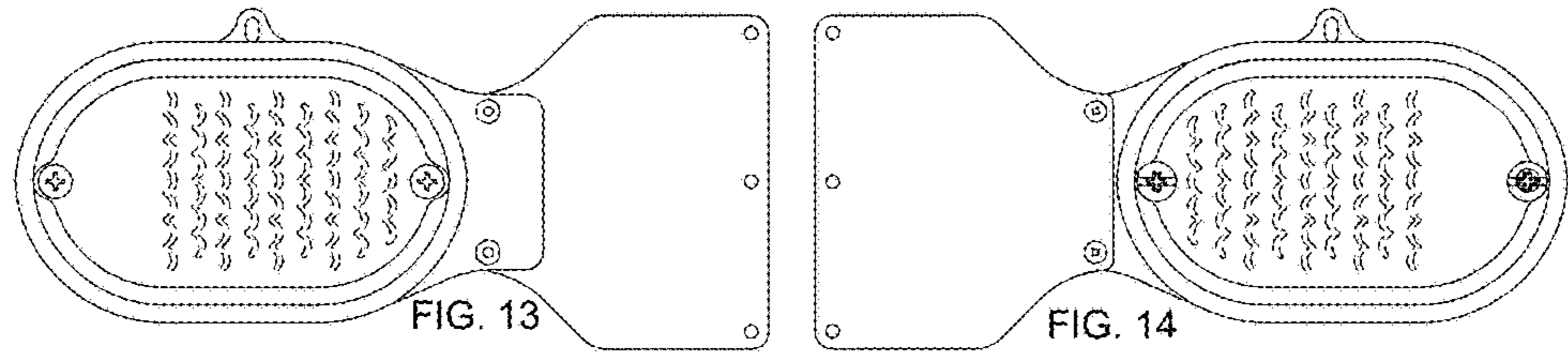


FIG. 12



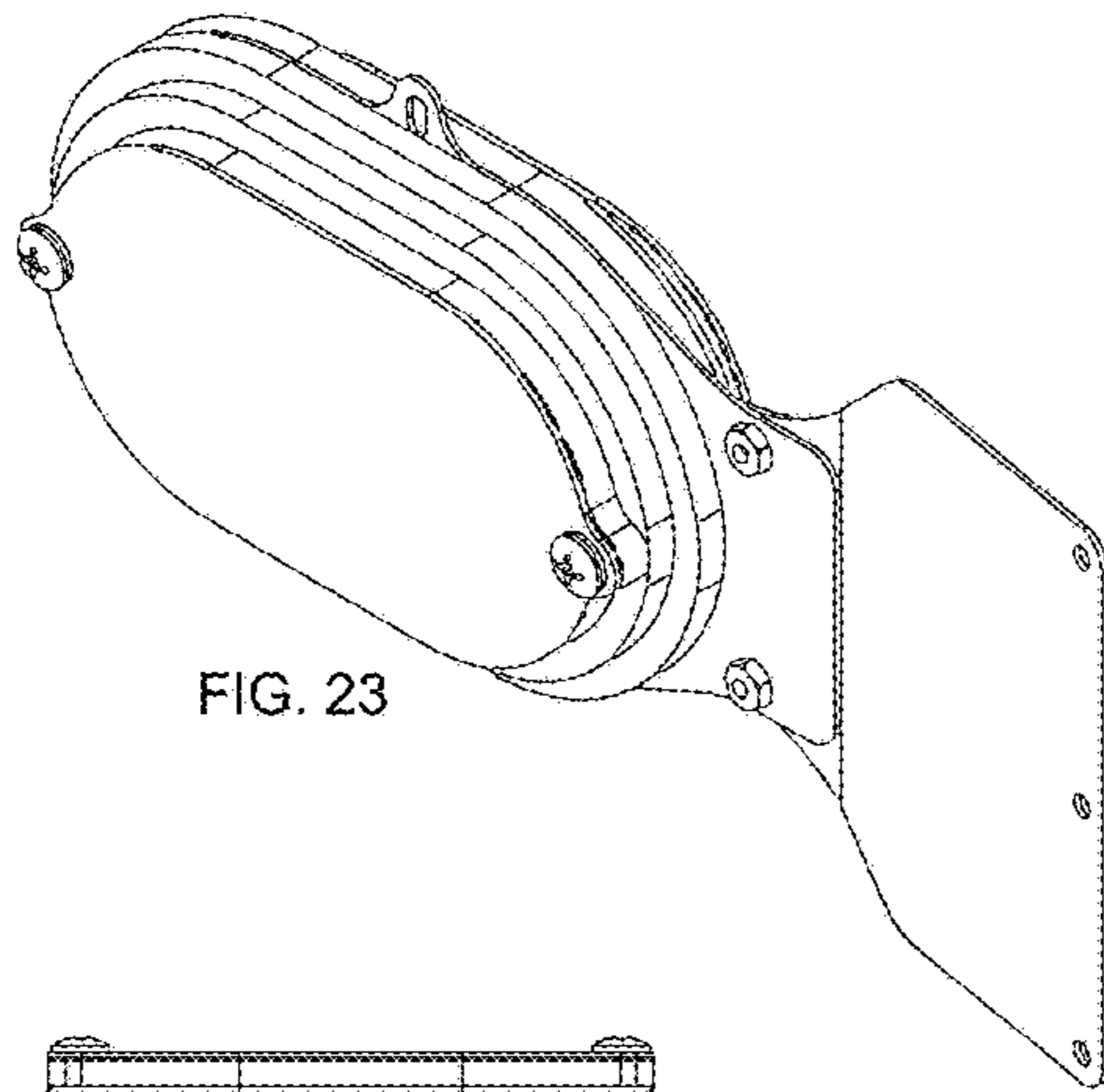


FIG. 23

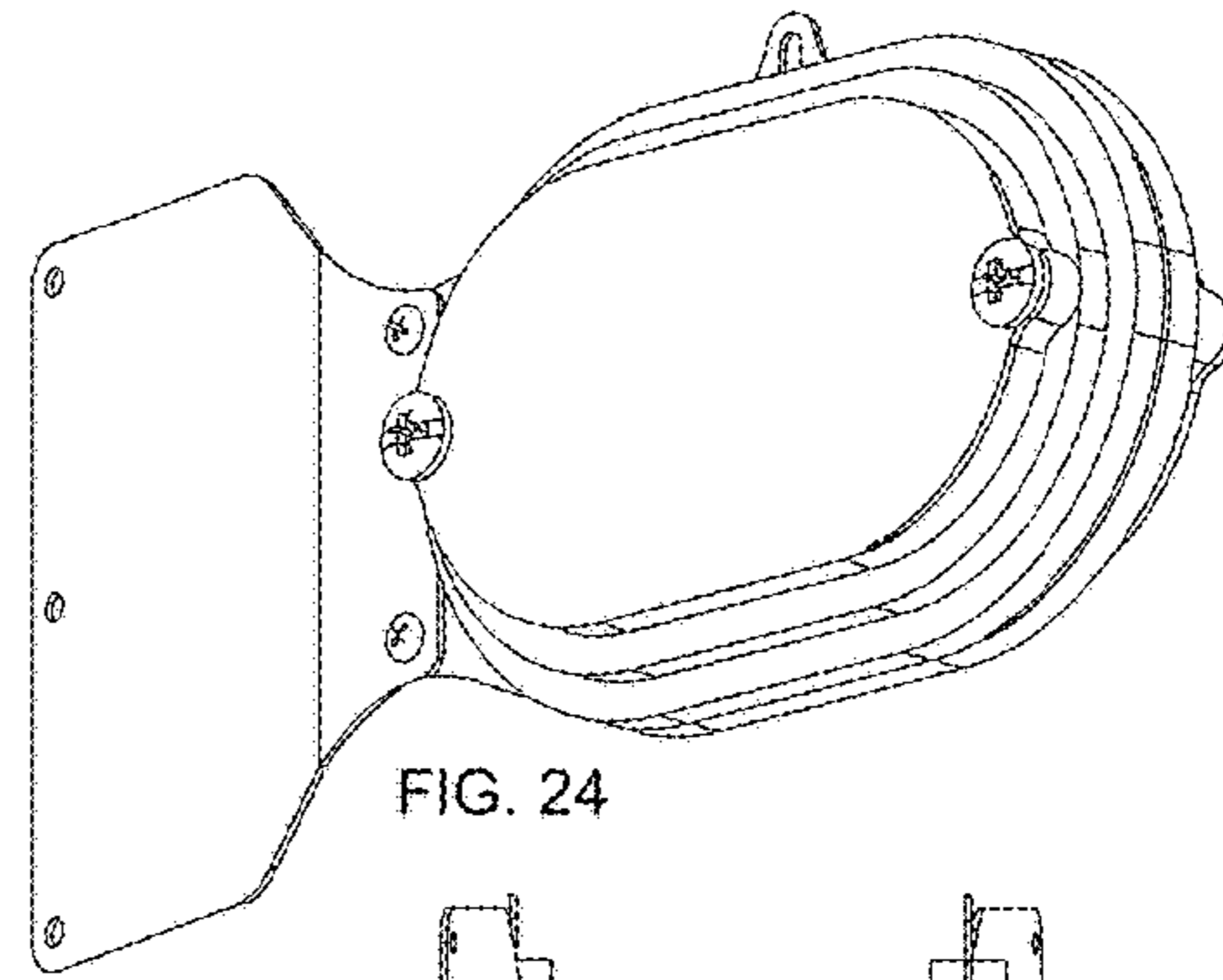


FIG. 24

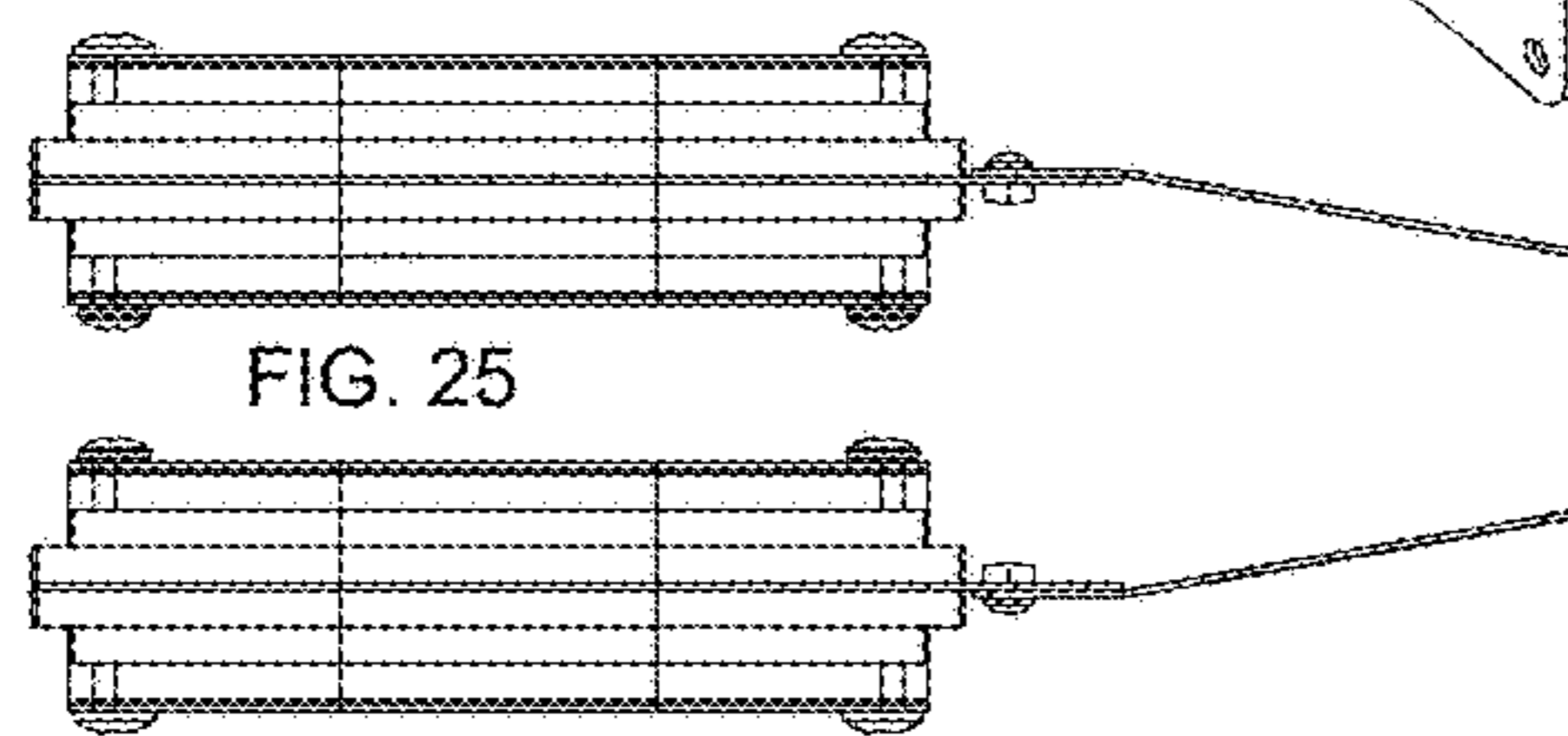


FIG. 25

FIG. 26

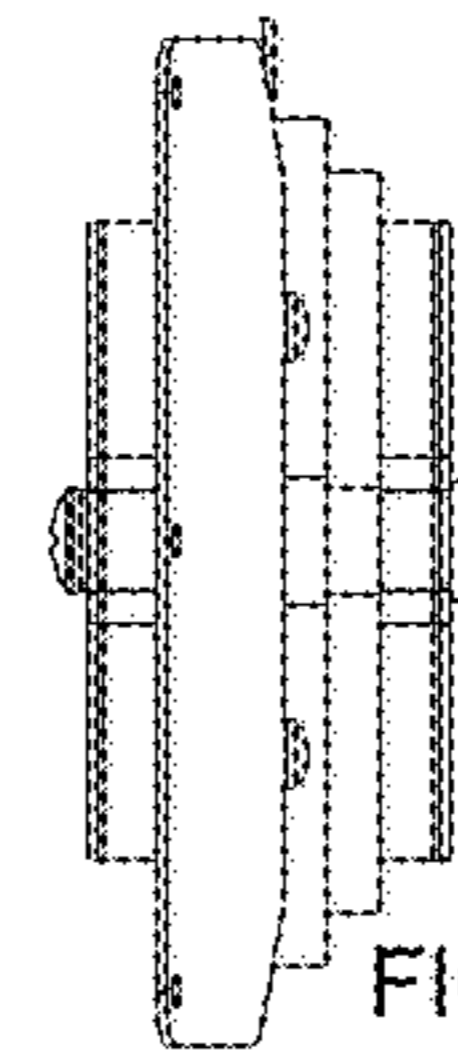


FIG. 27

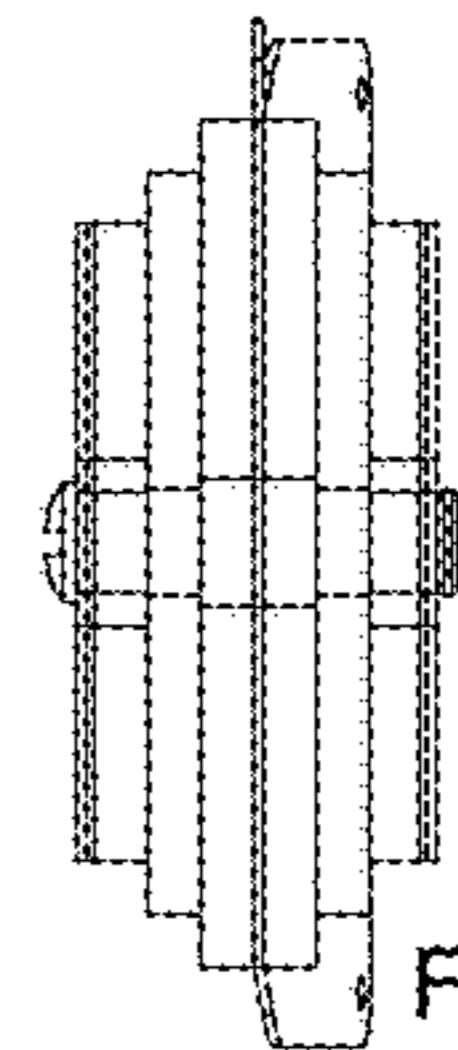


FIG. 28

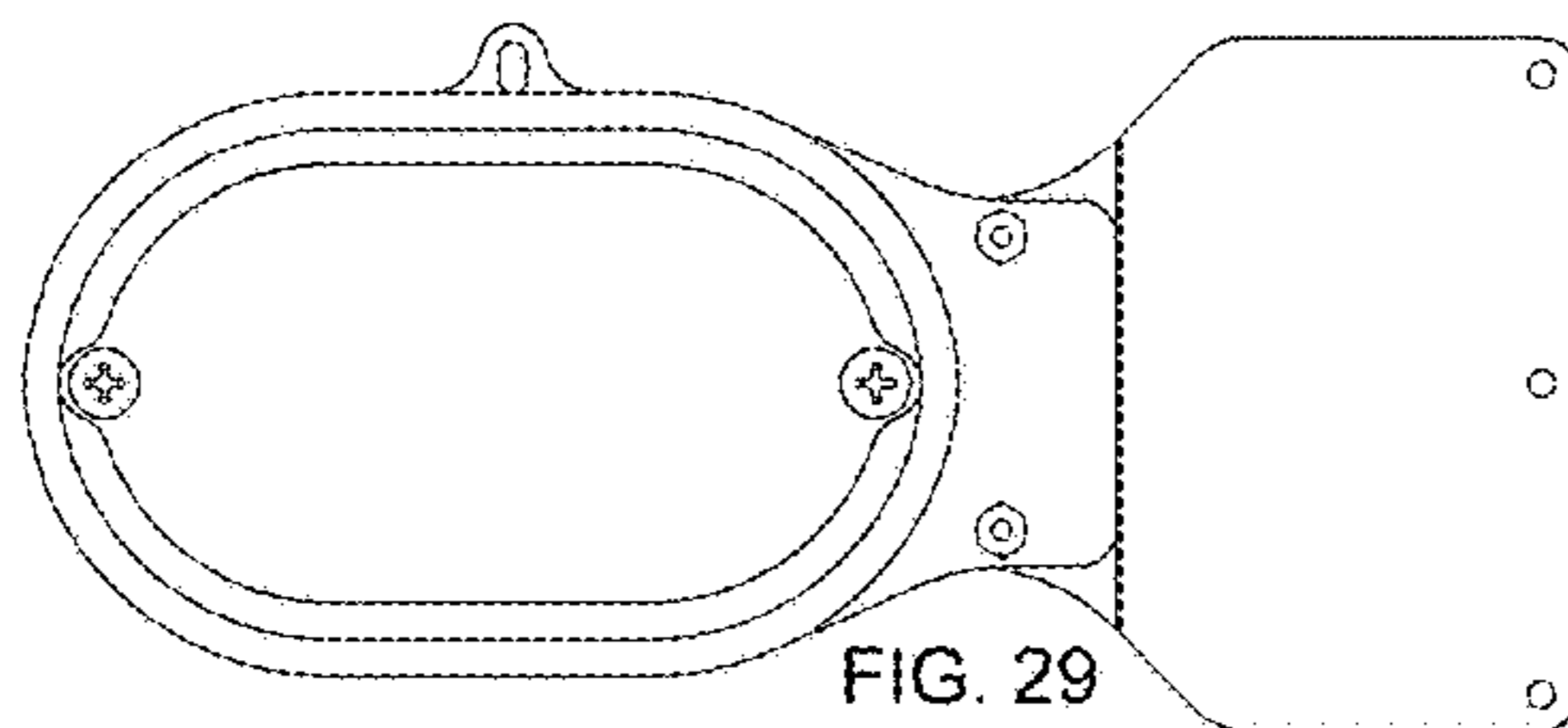


FIG. 29

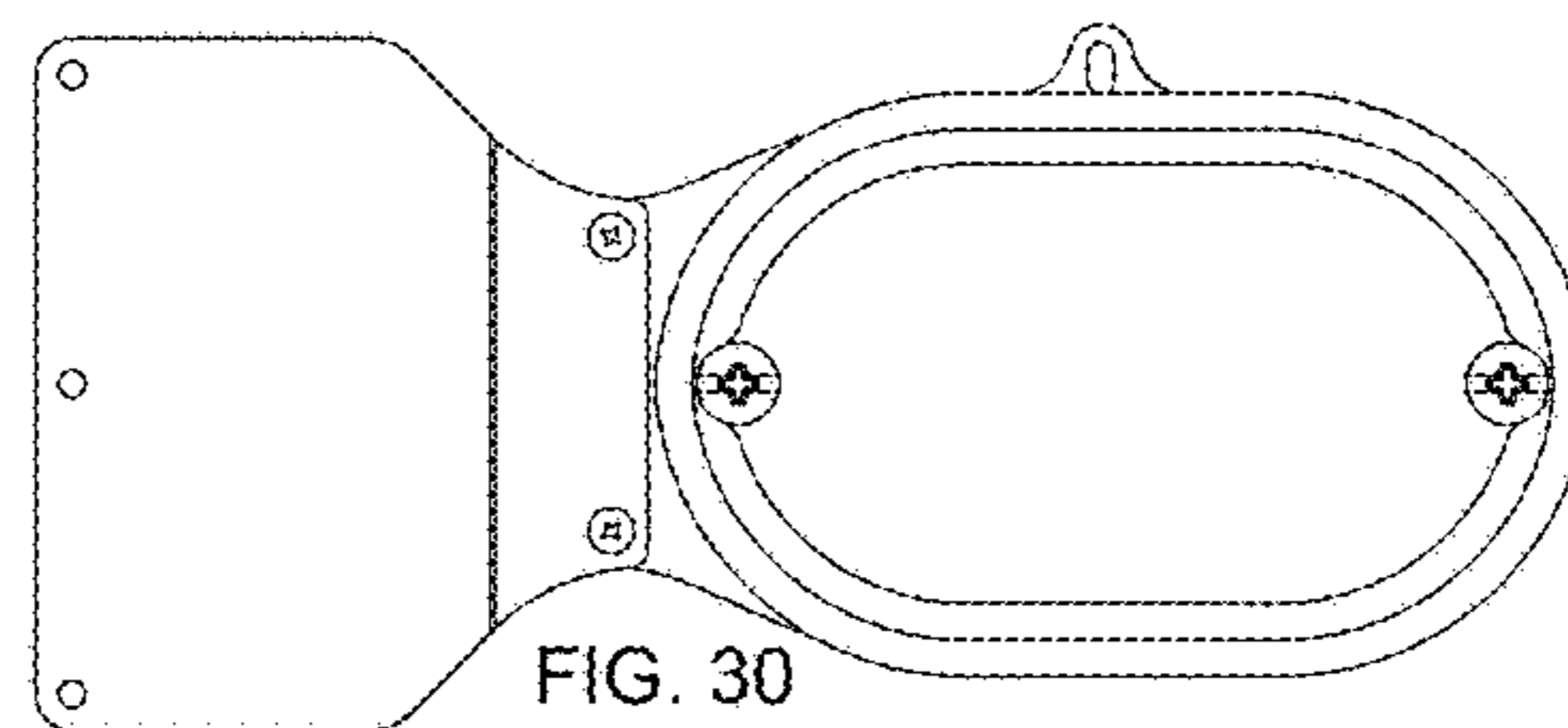


FIG. 30

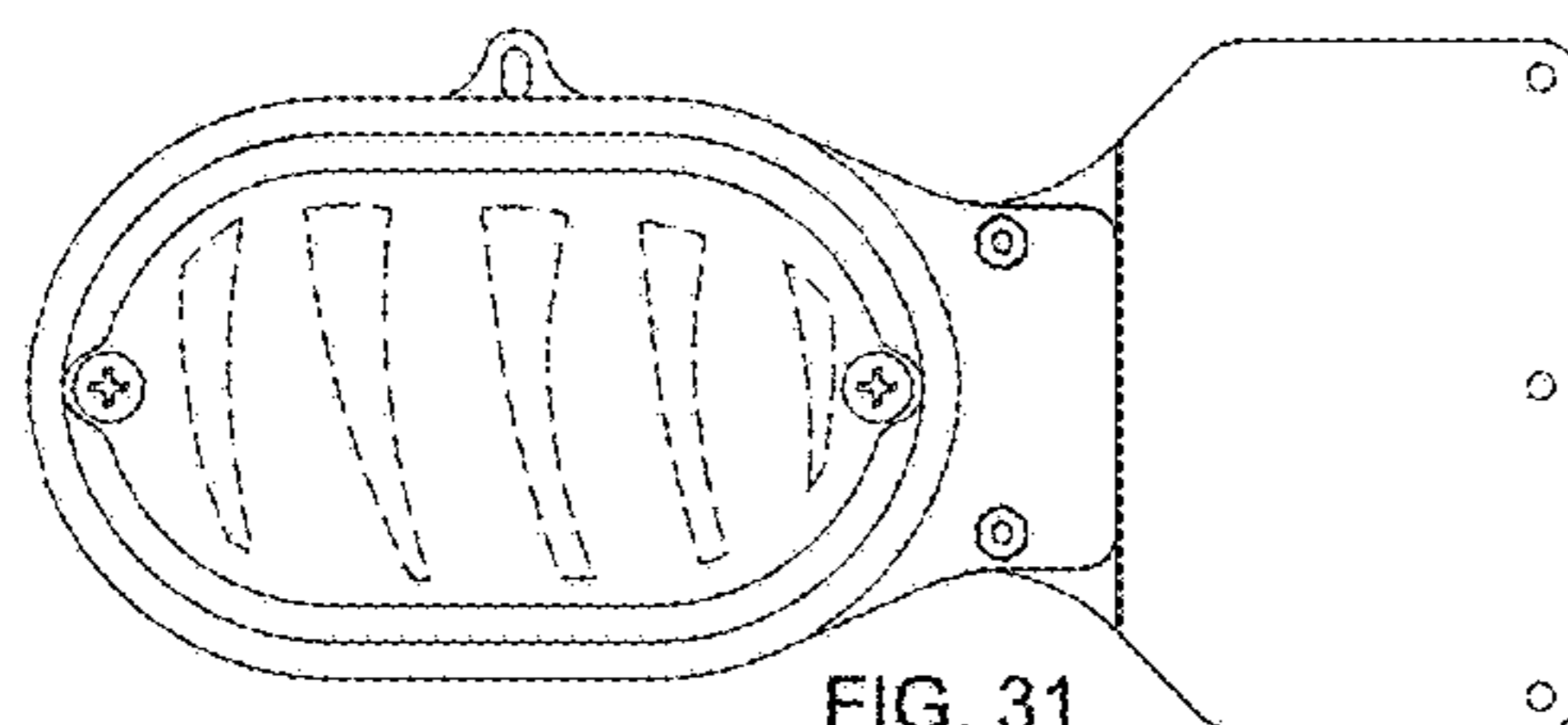


FIG. 31

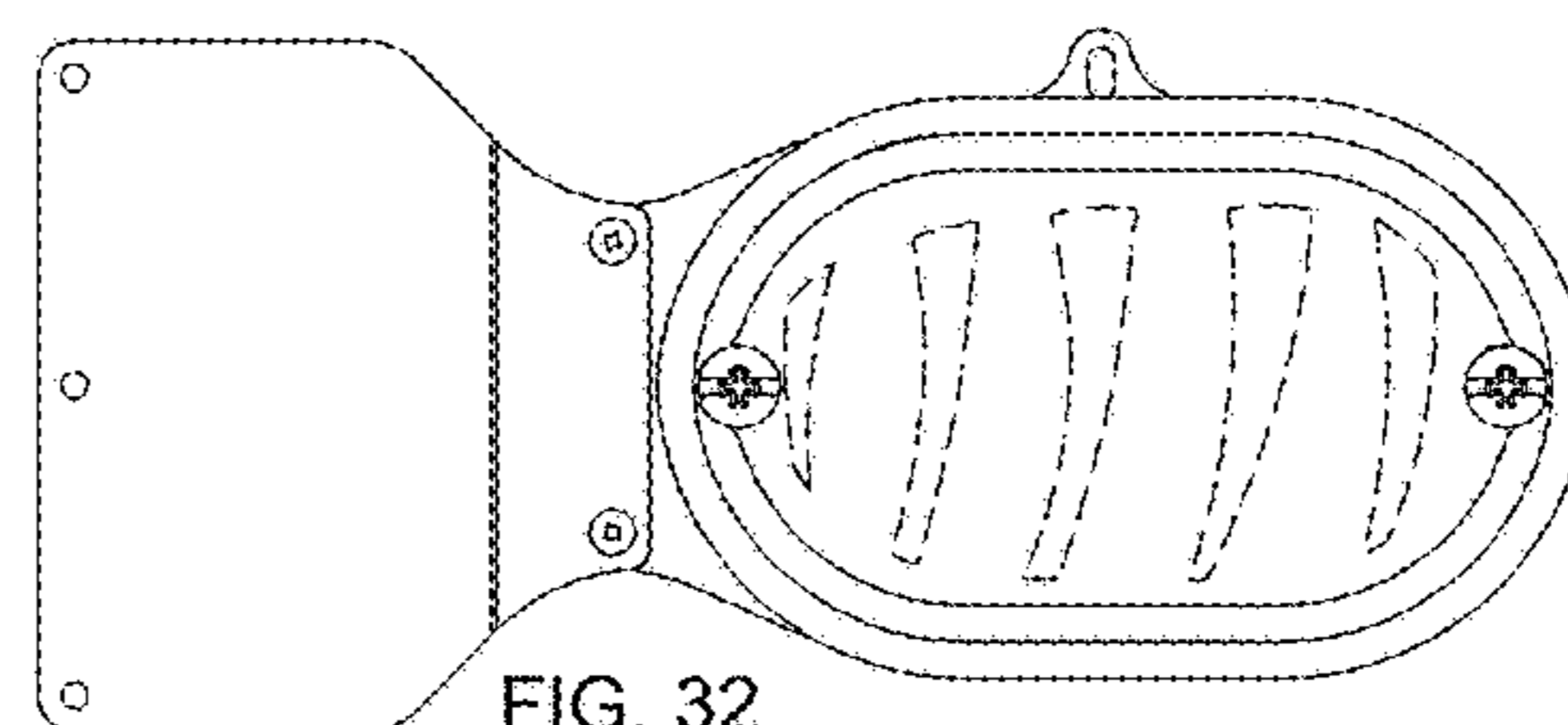


FIG. 32

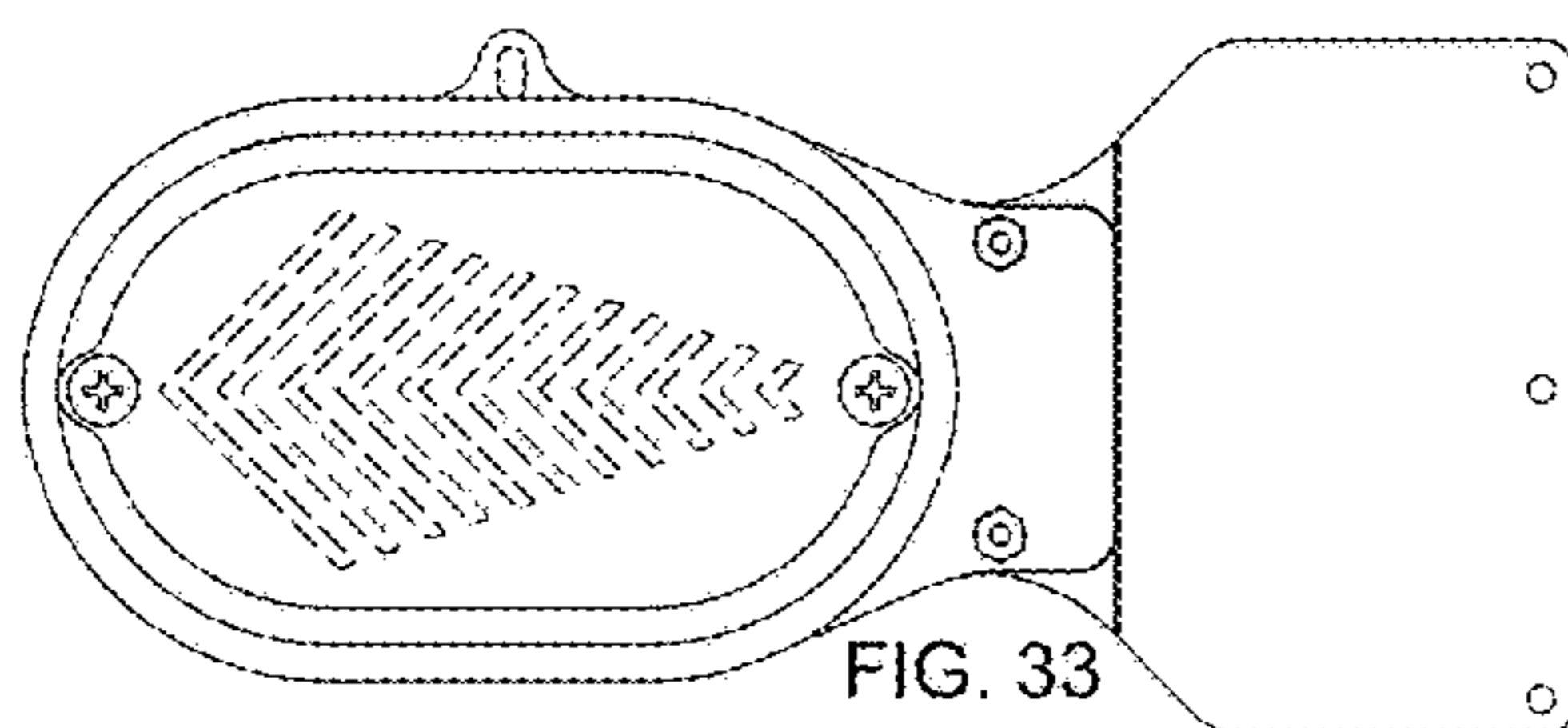


FIG. 33

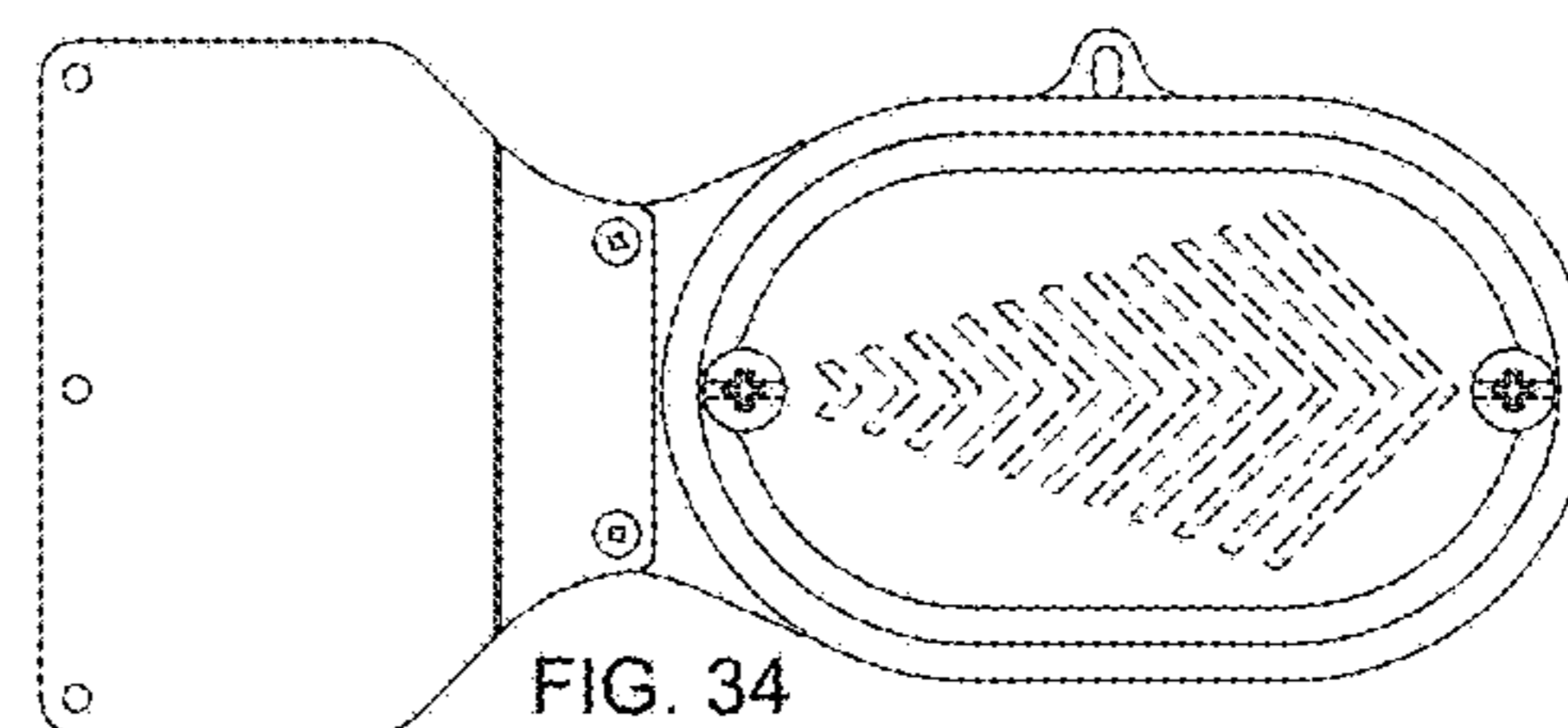
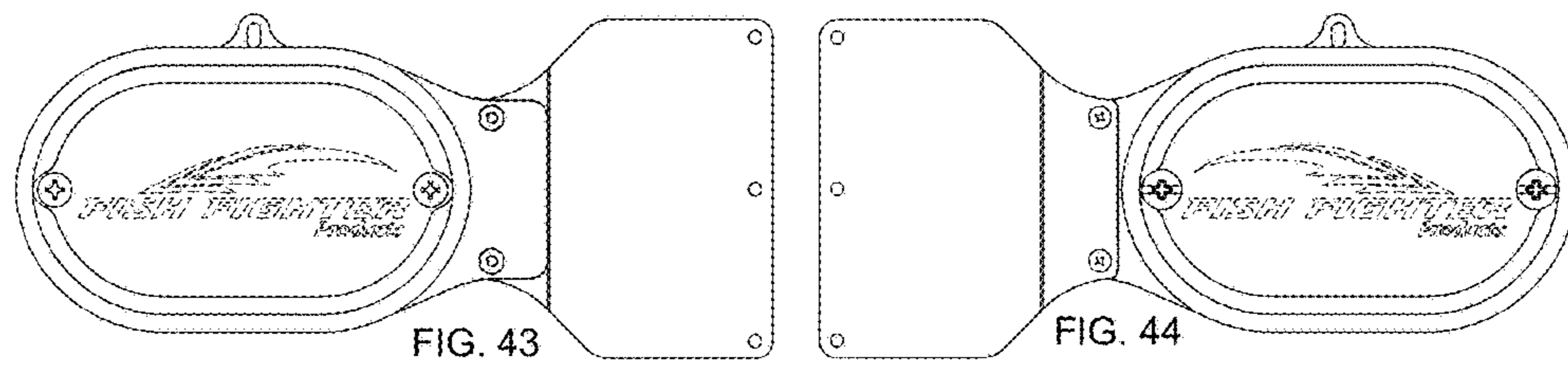
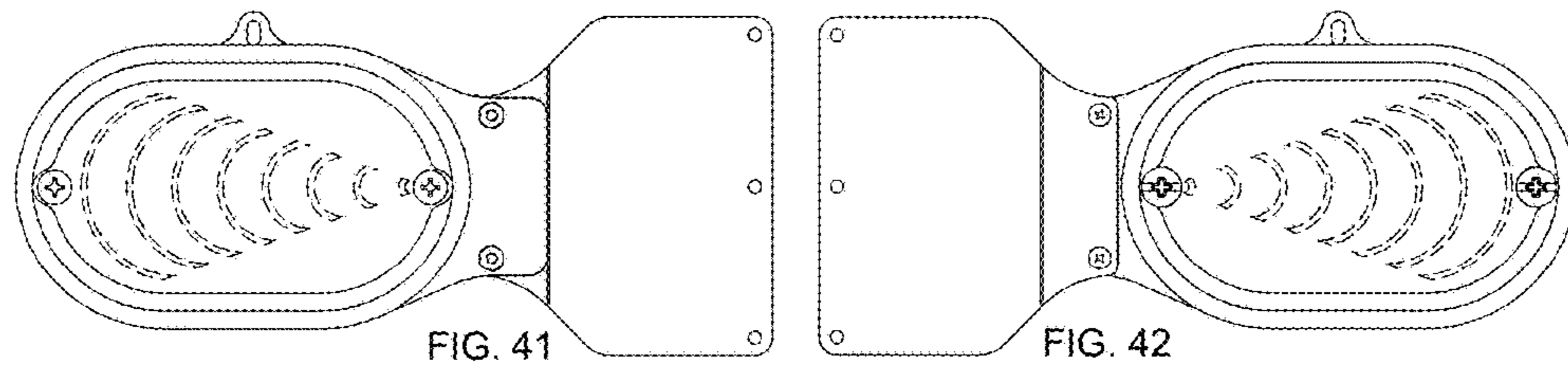
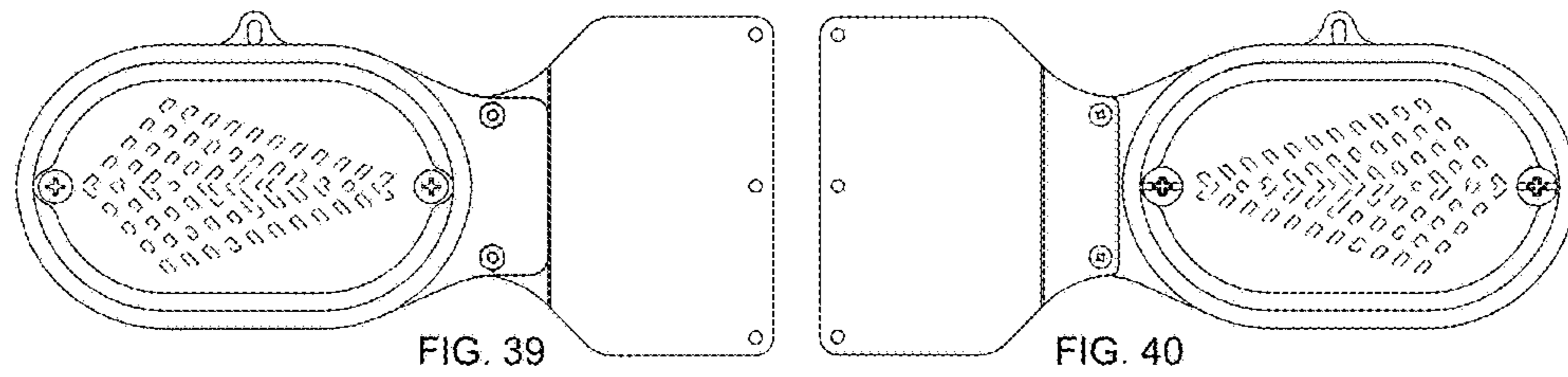
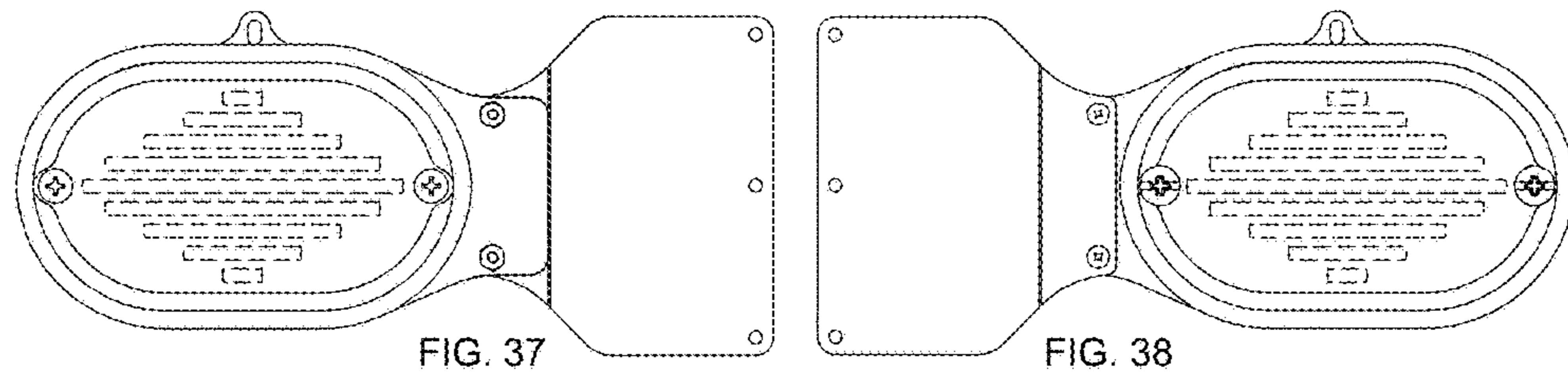
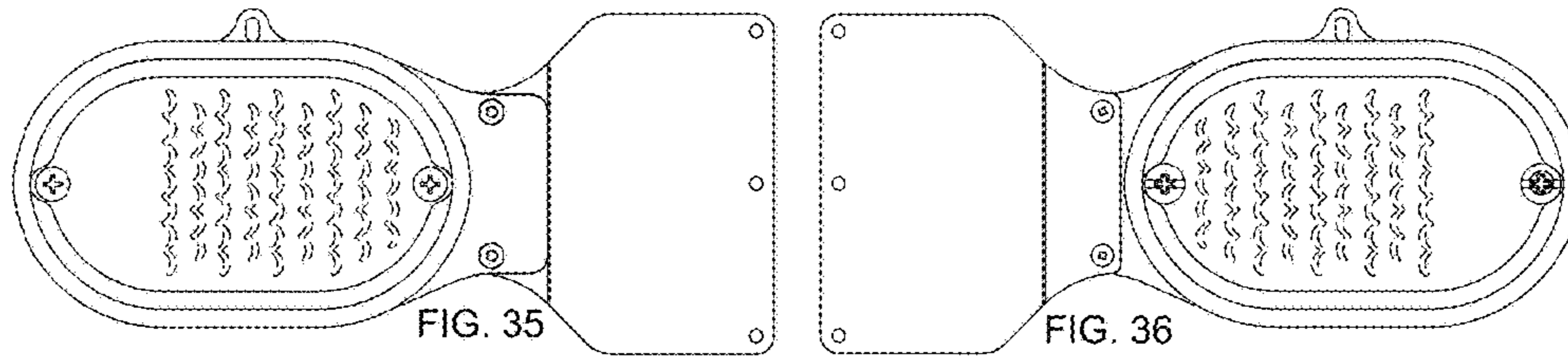


FIG. 34



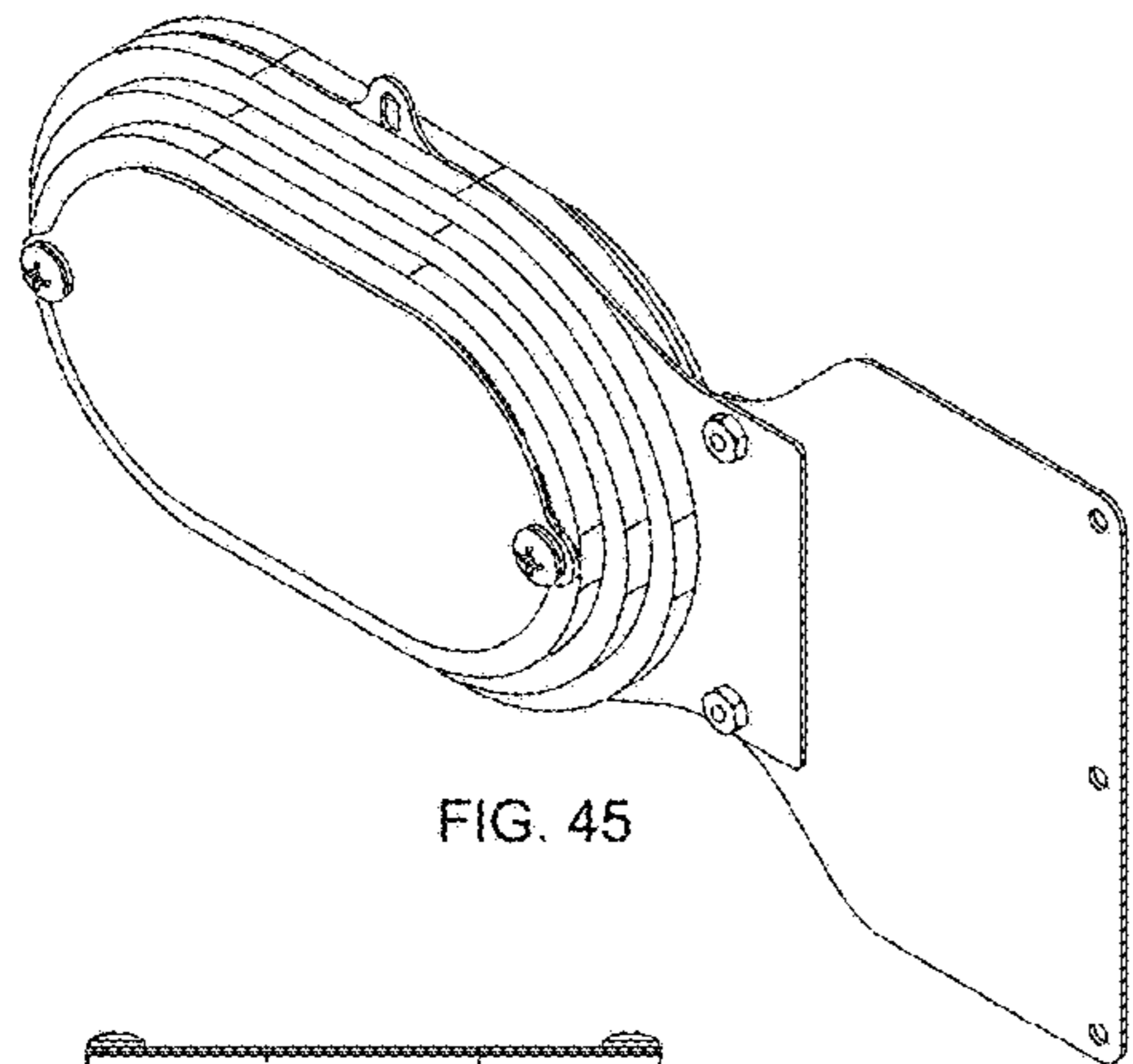


FIG. 45

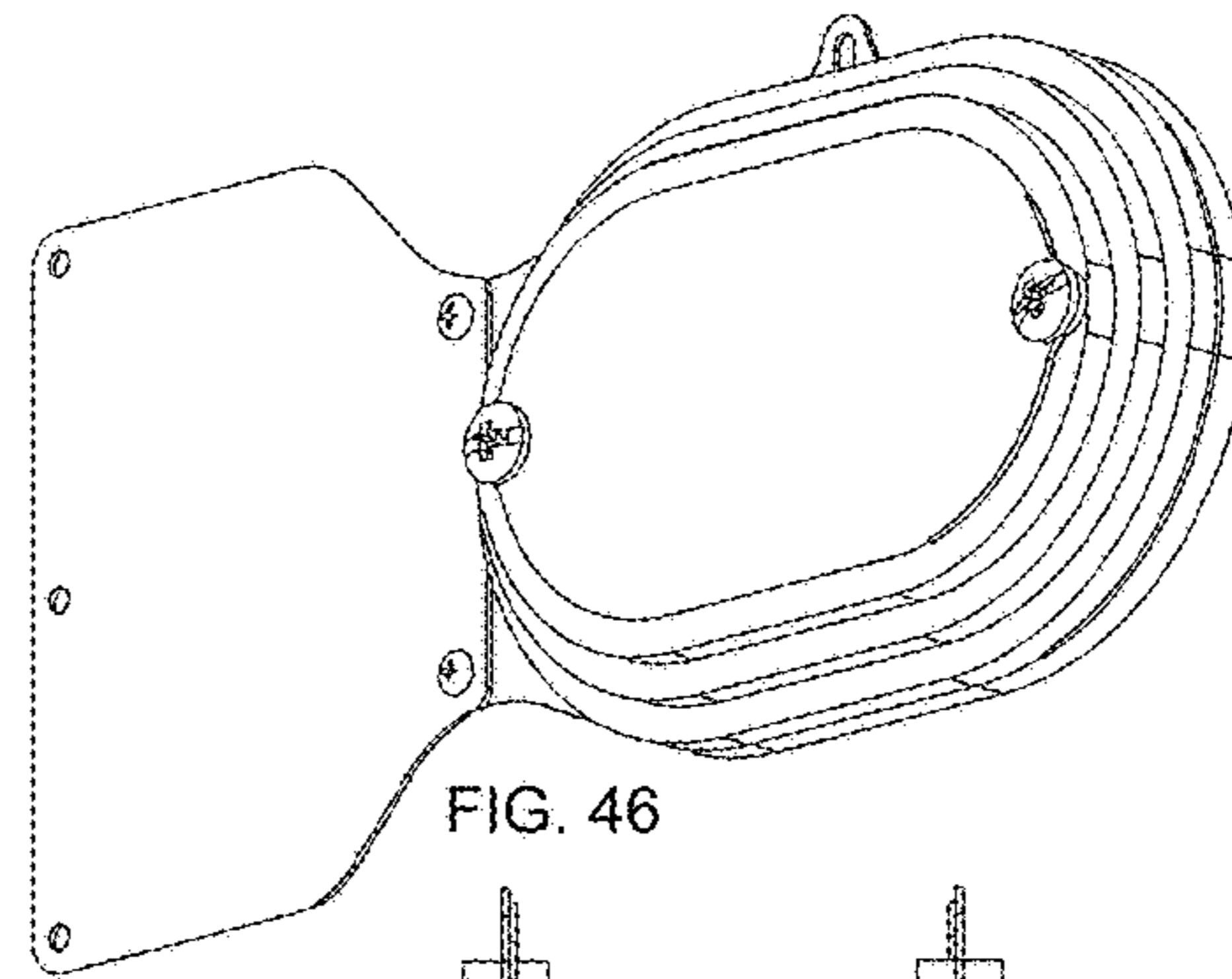


FIG. 46

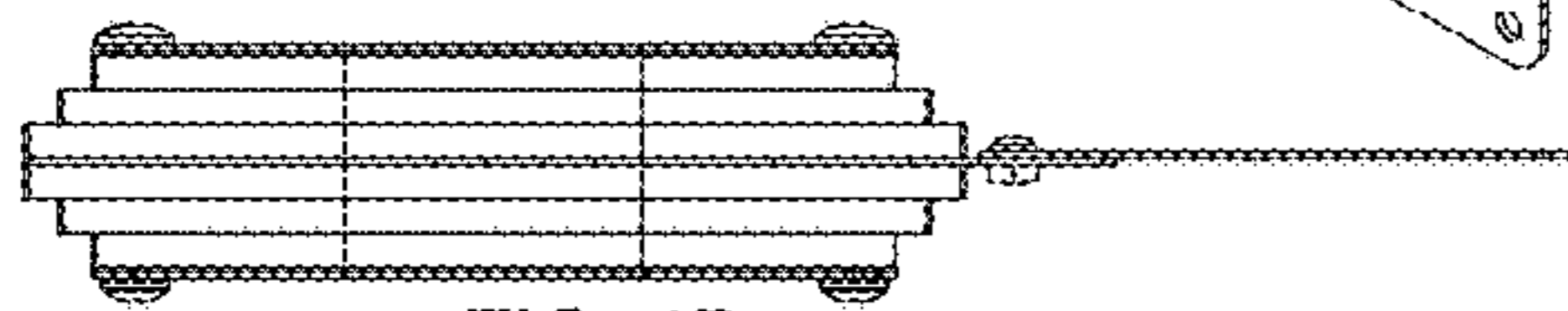


FIG. 47

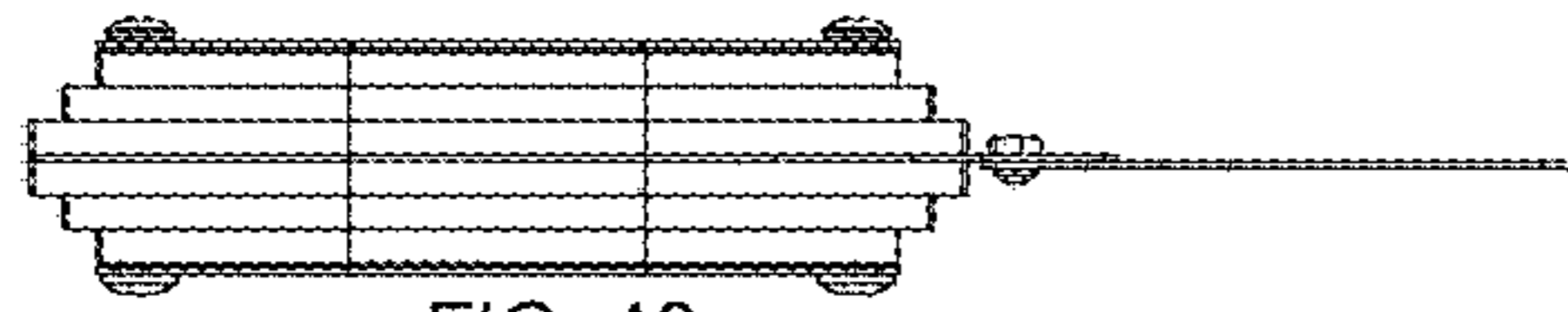


FIG. 48

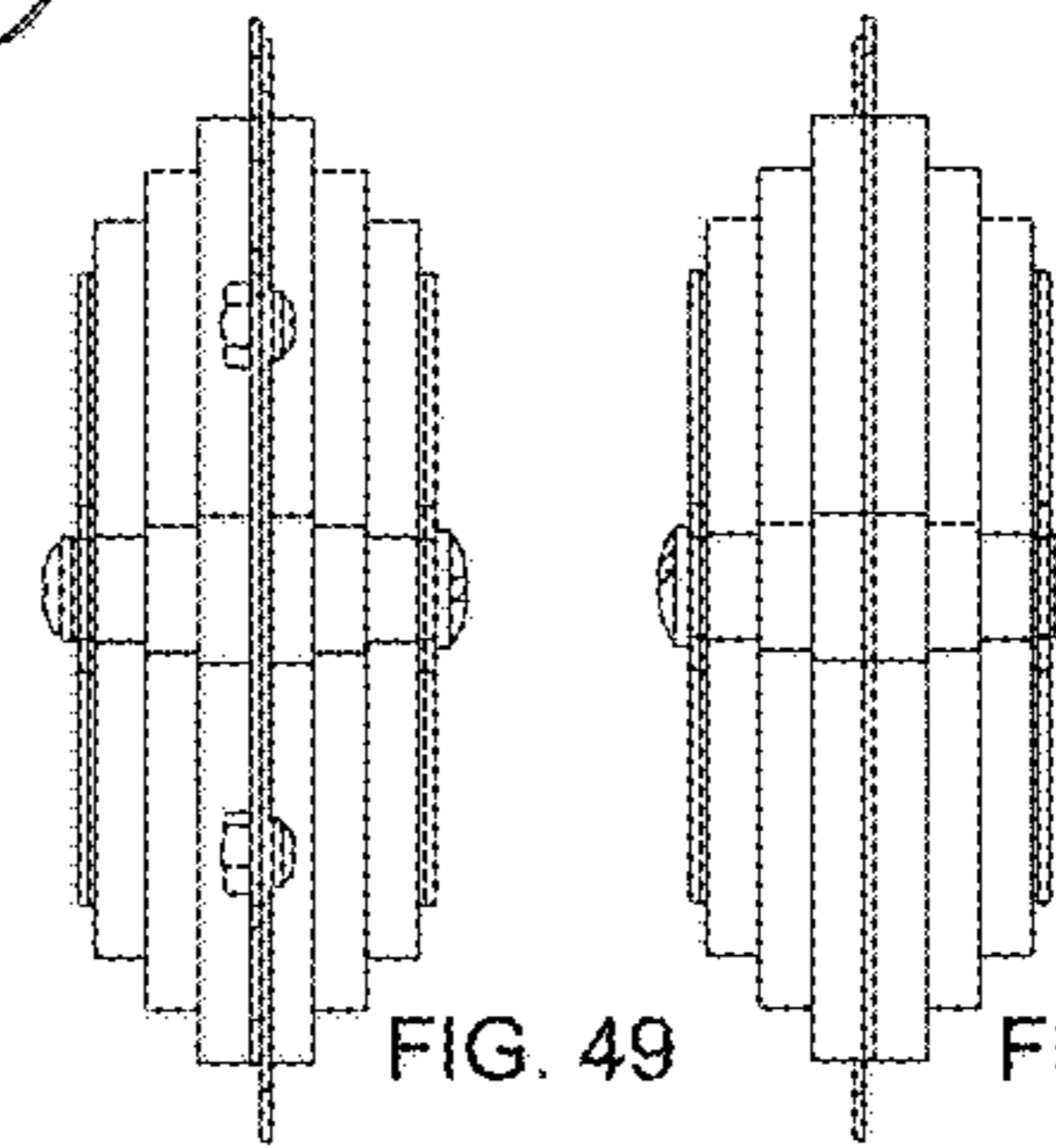


FIG. 49

FIG. 50

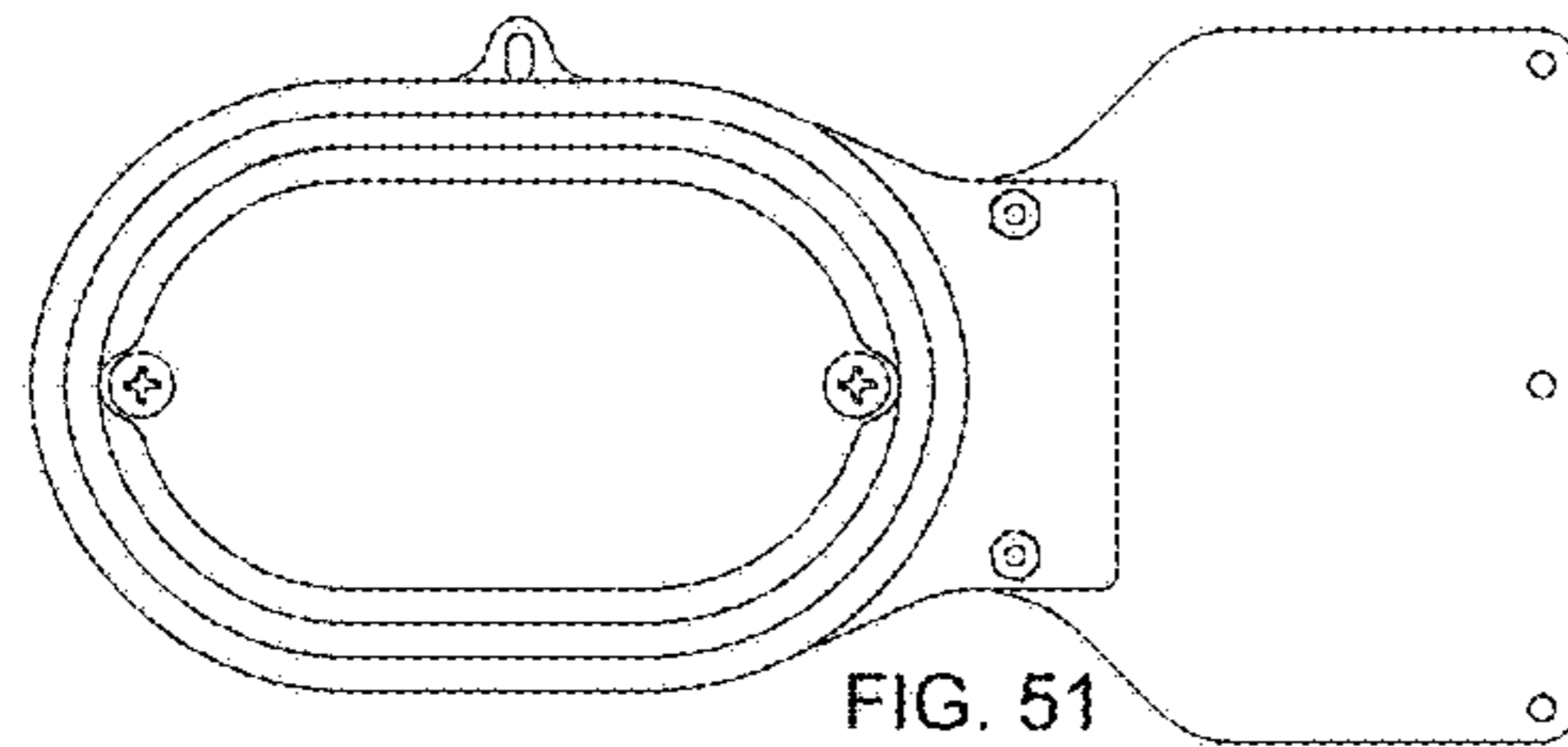


FIG. 51

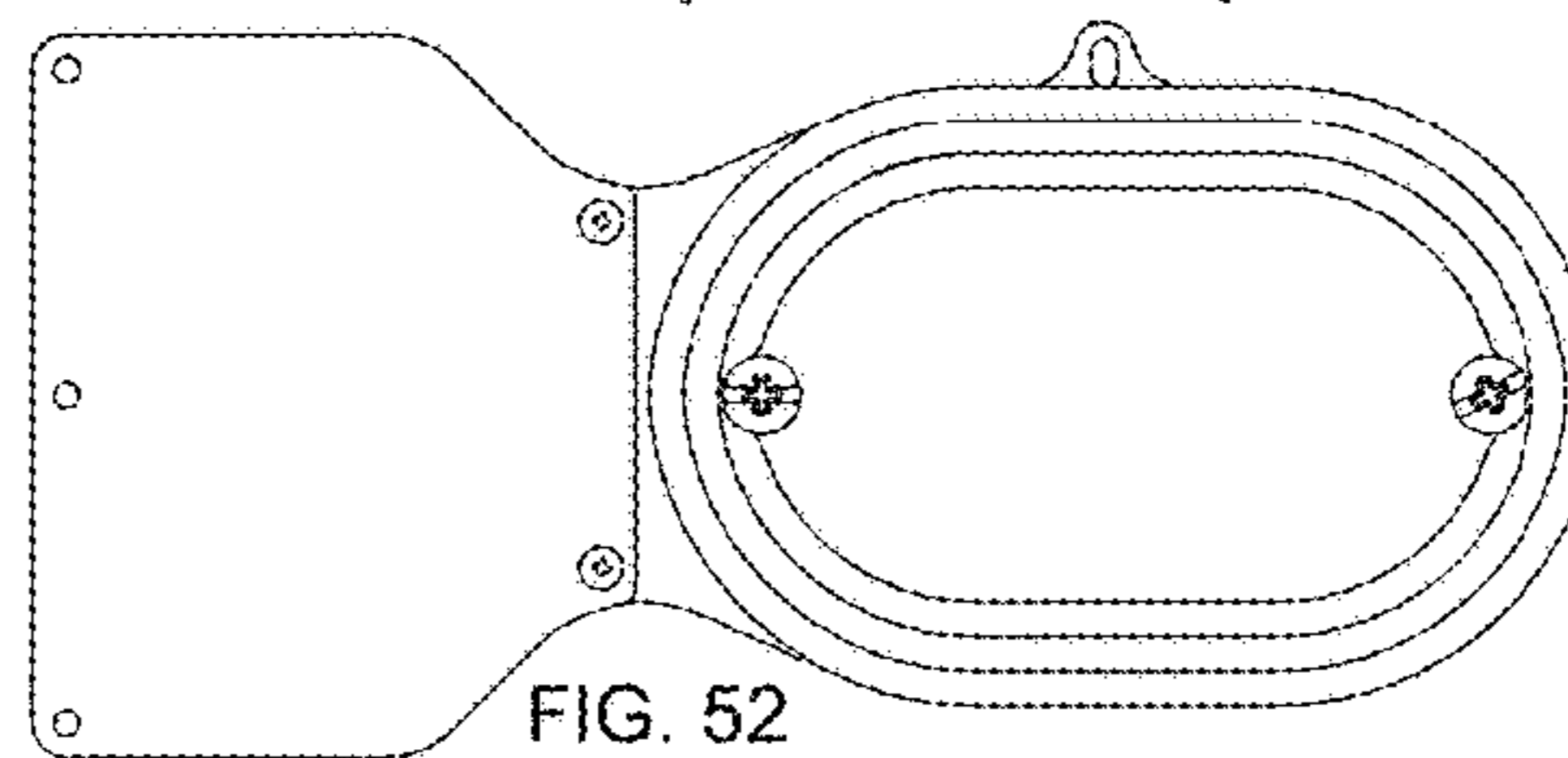


FIG. 52

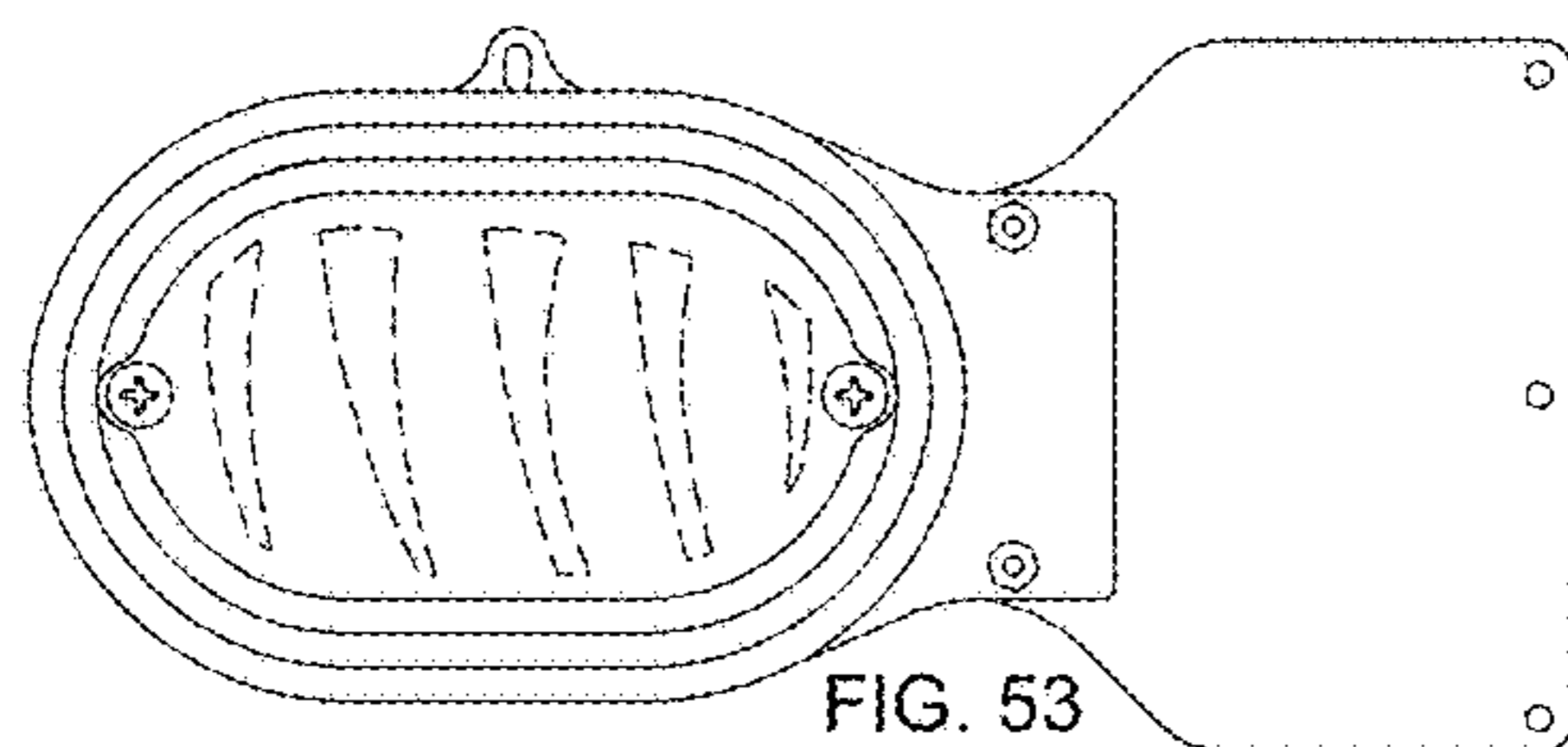


FIG. 53

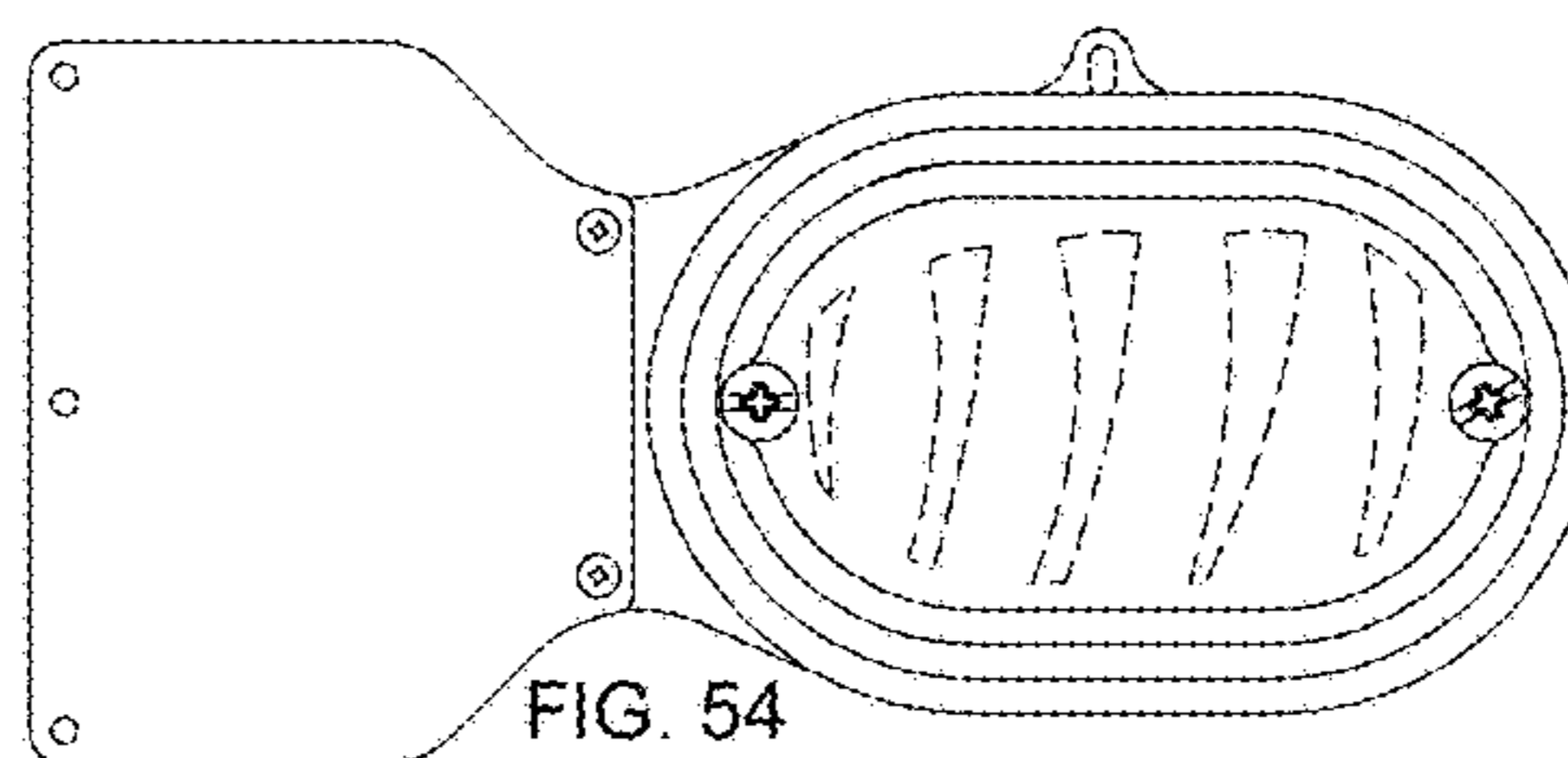


FIG. 54

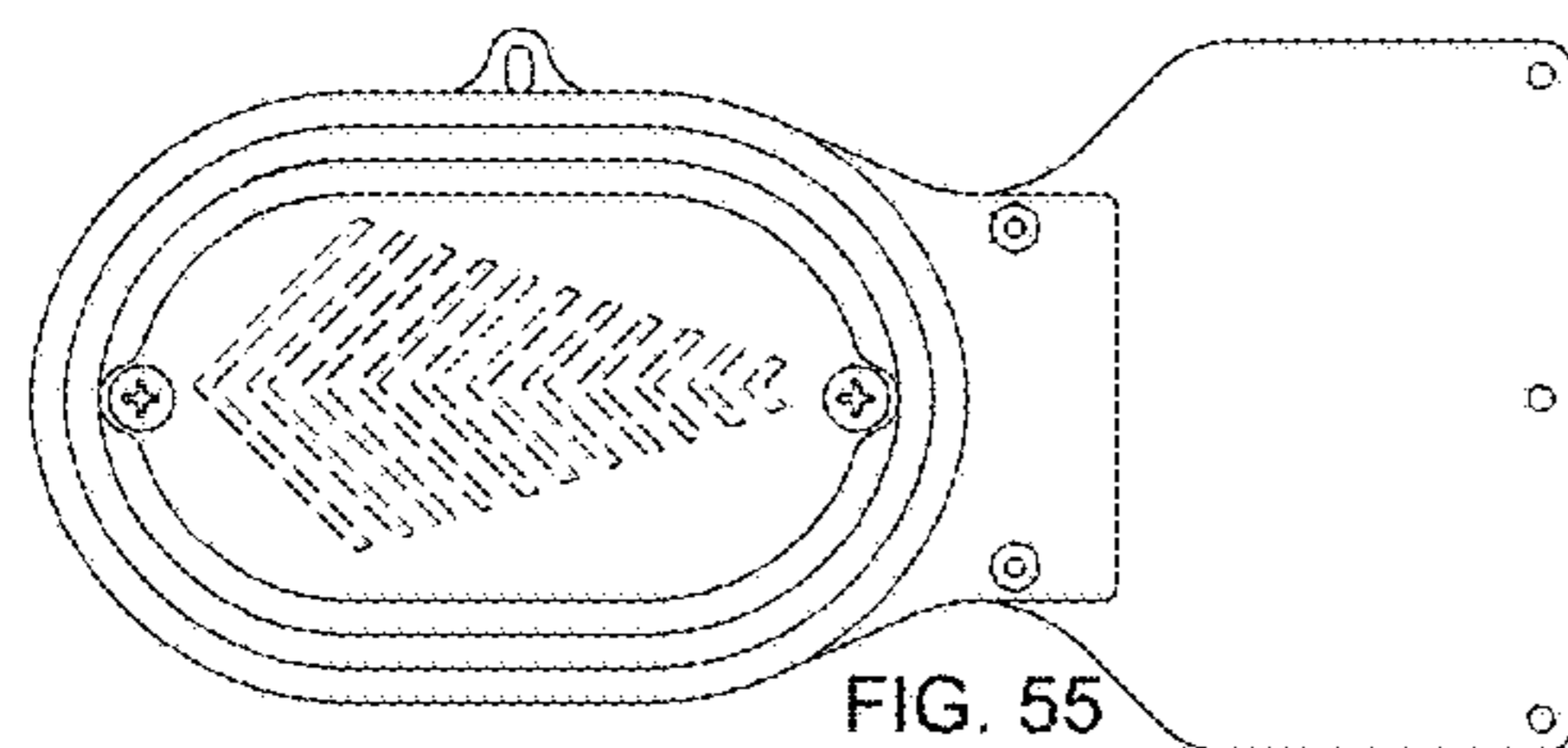


FIG. 55

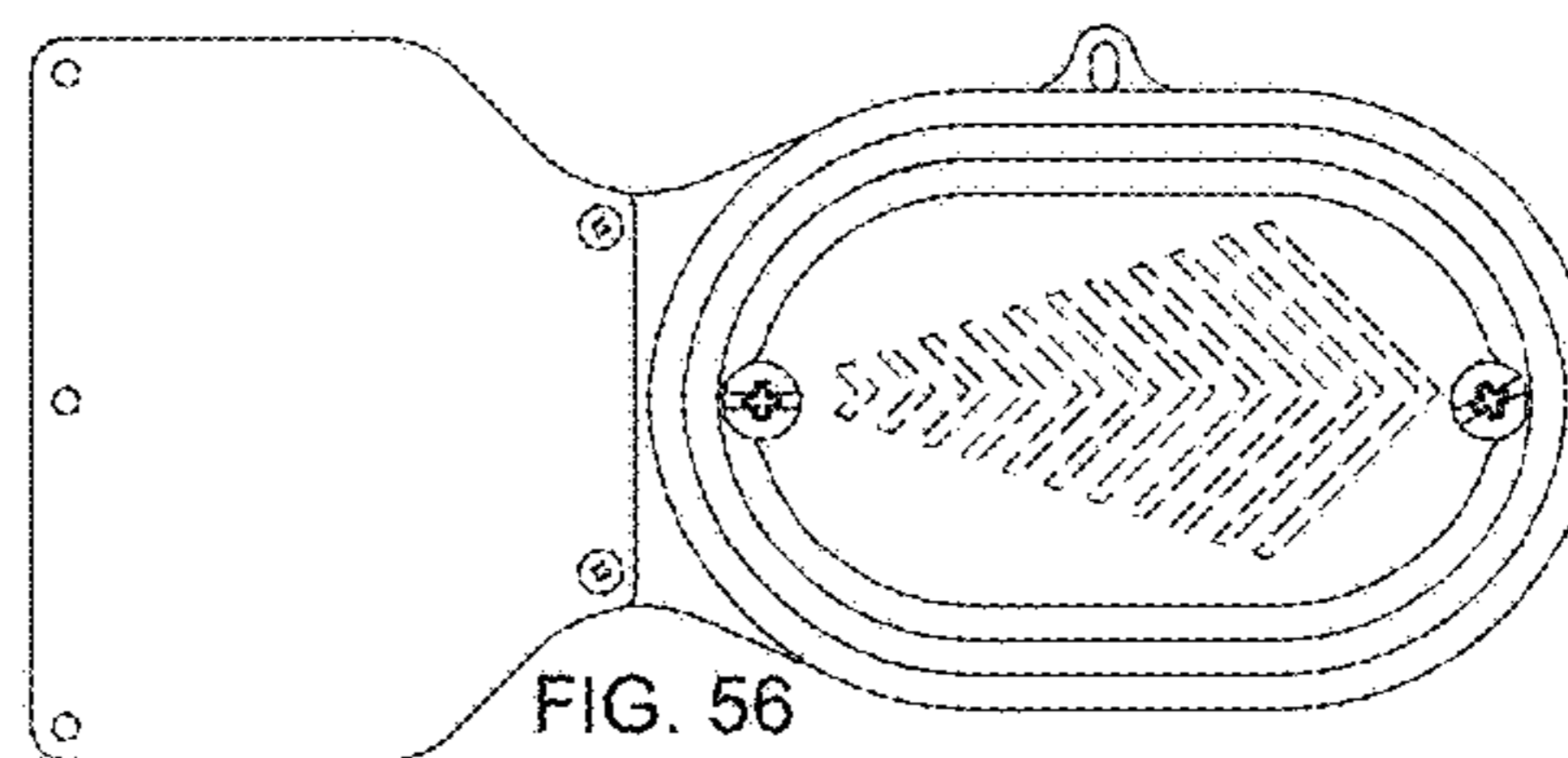


FIG. 56

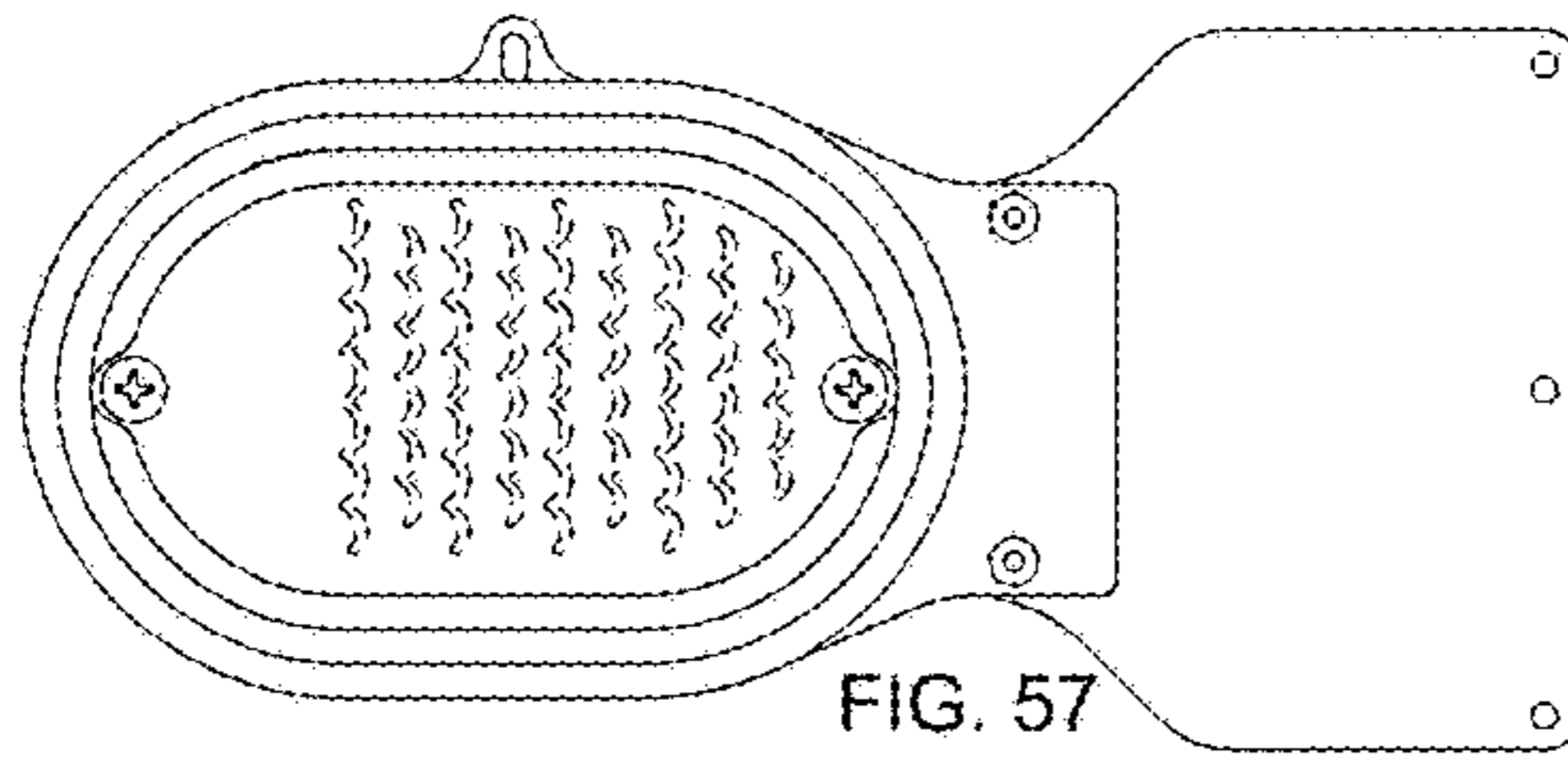


FIG. 57

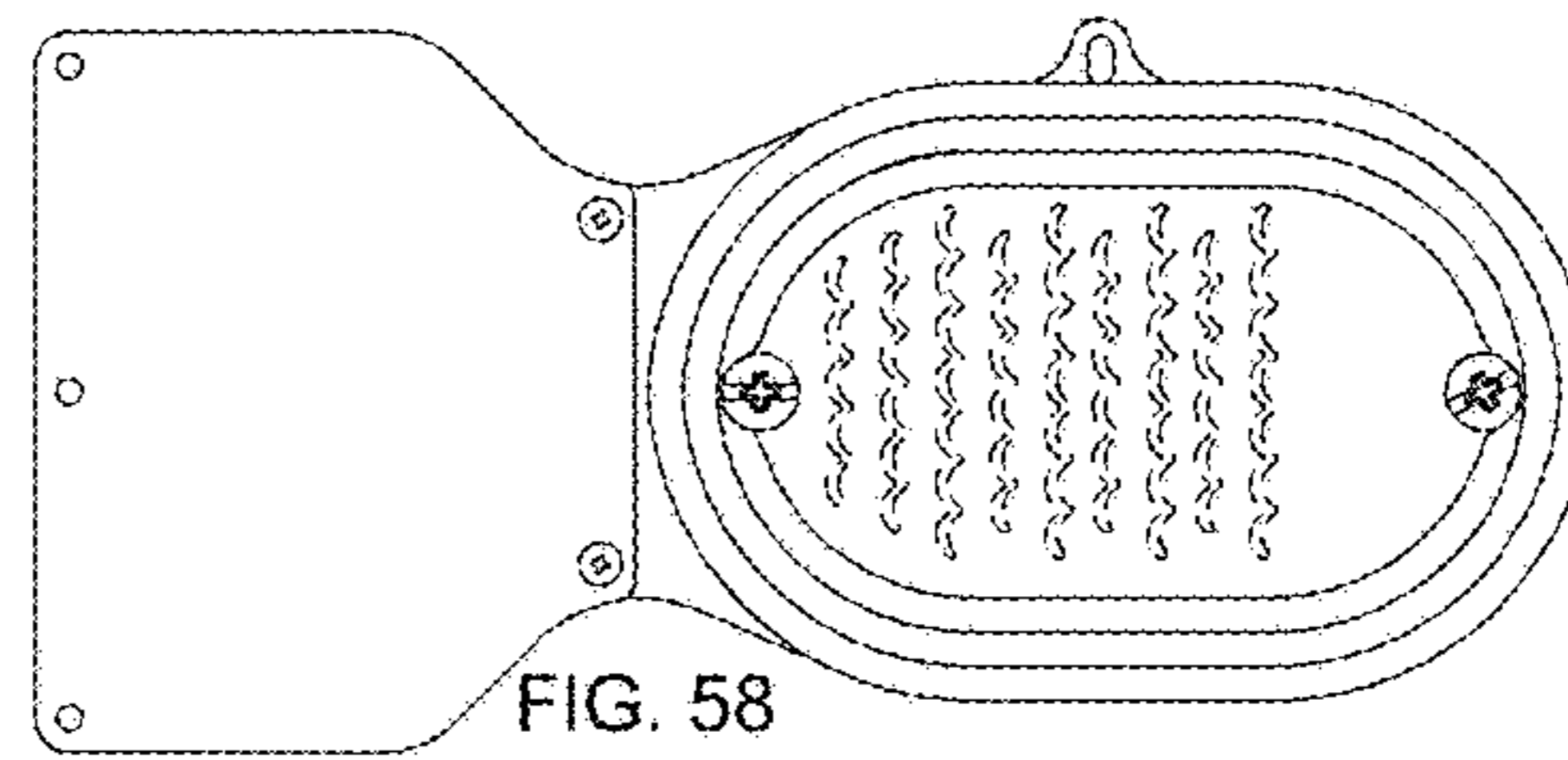


FIG. 58

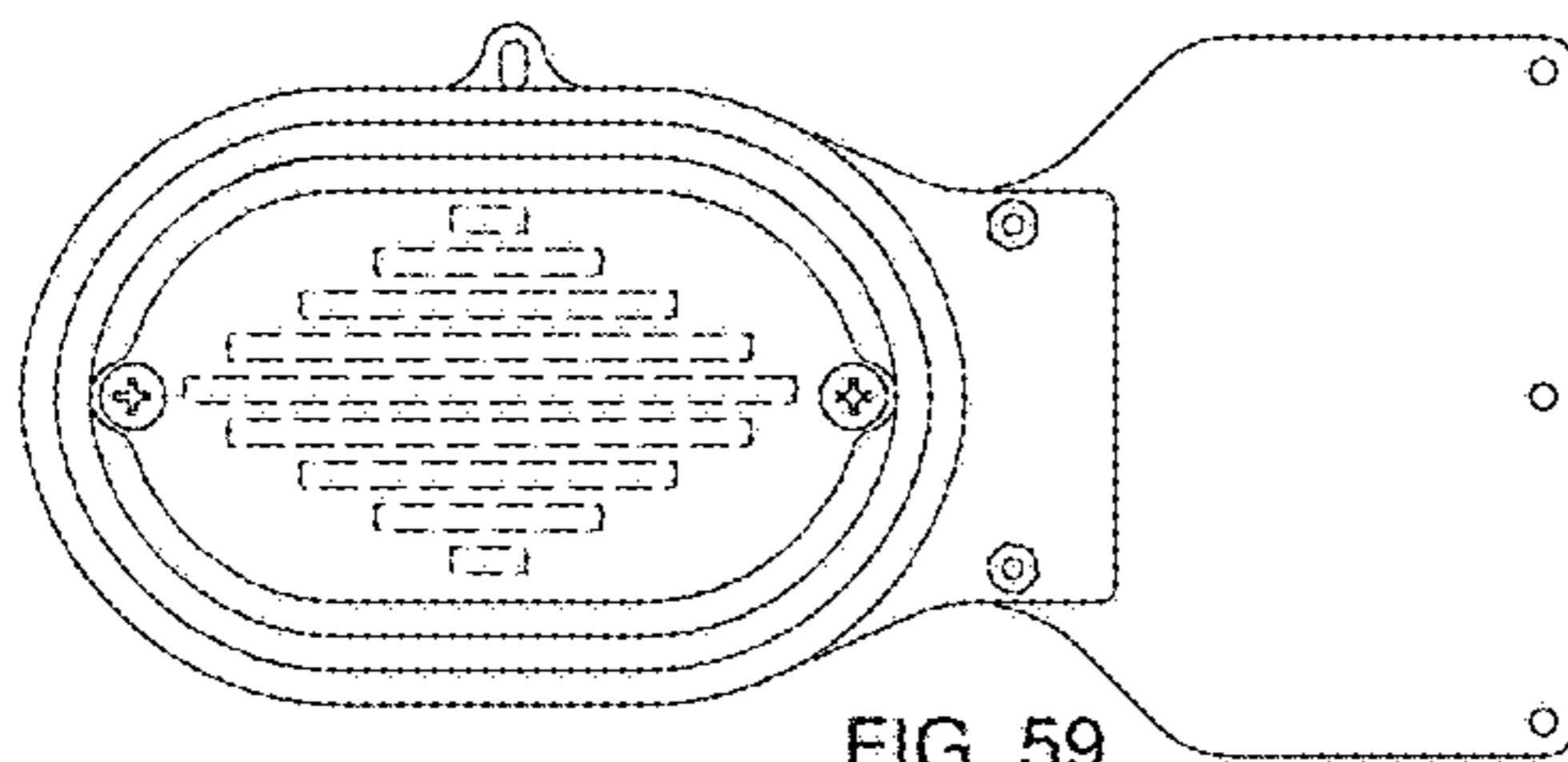


FIG. 59

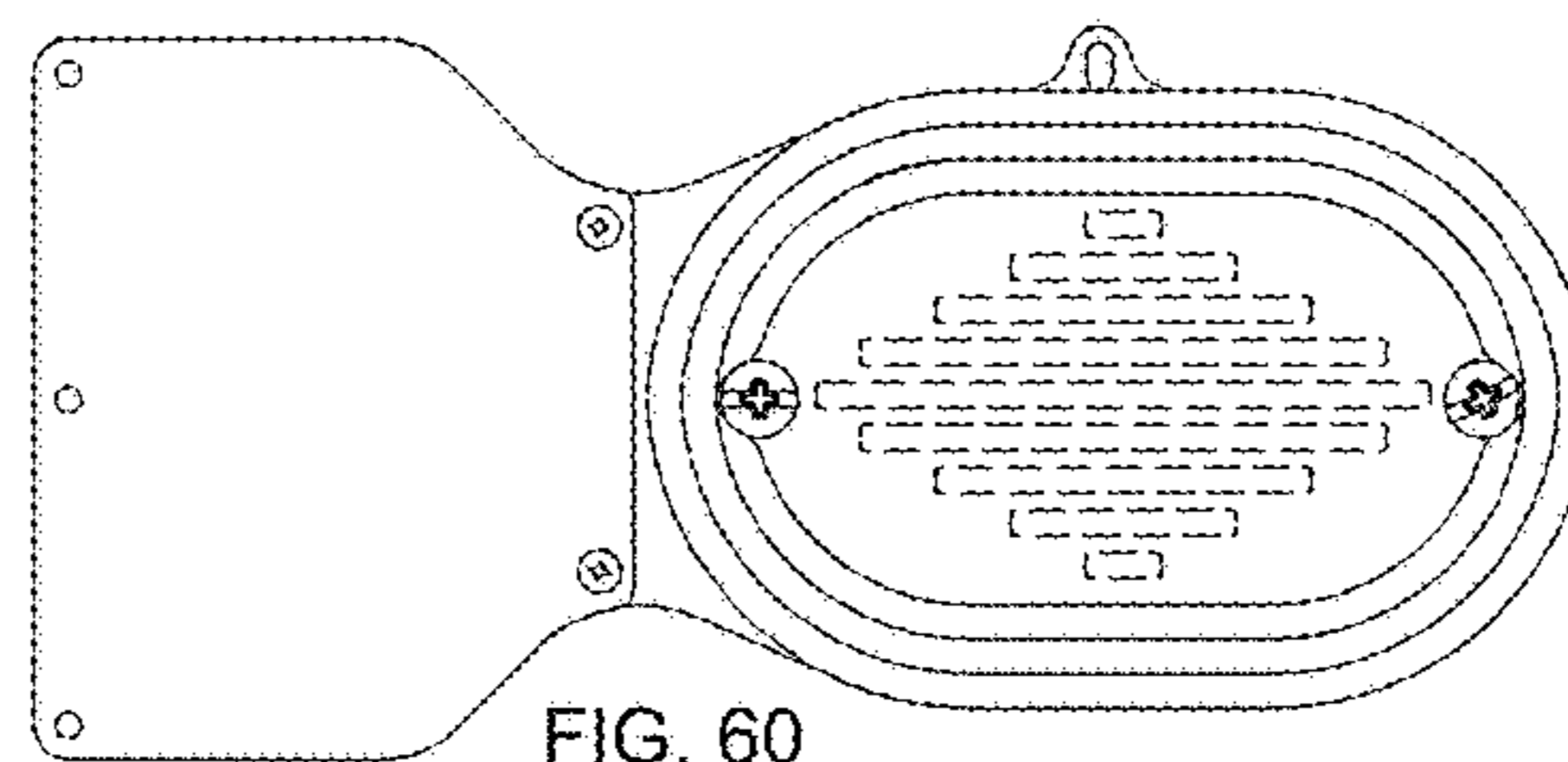


FIG. 60

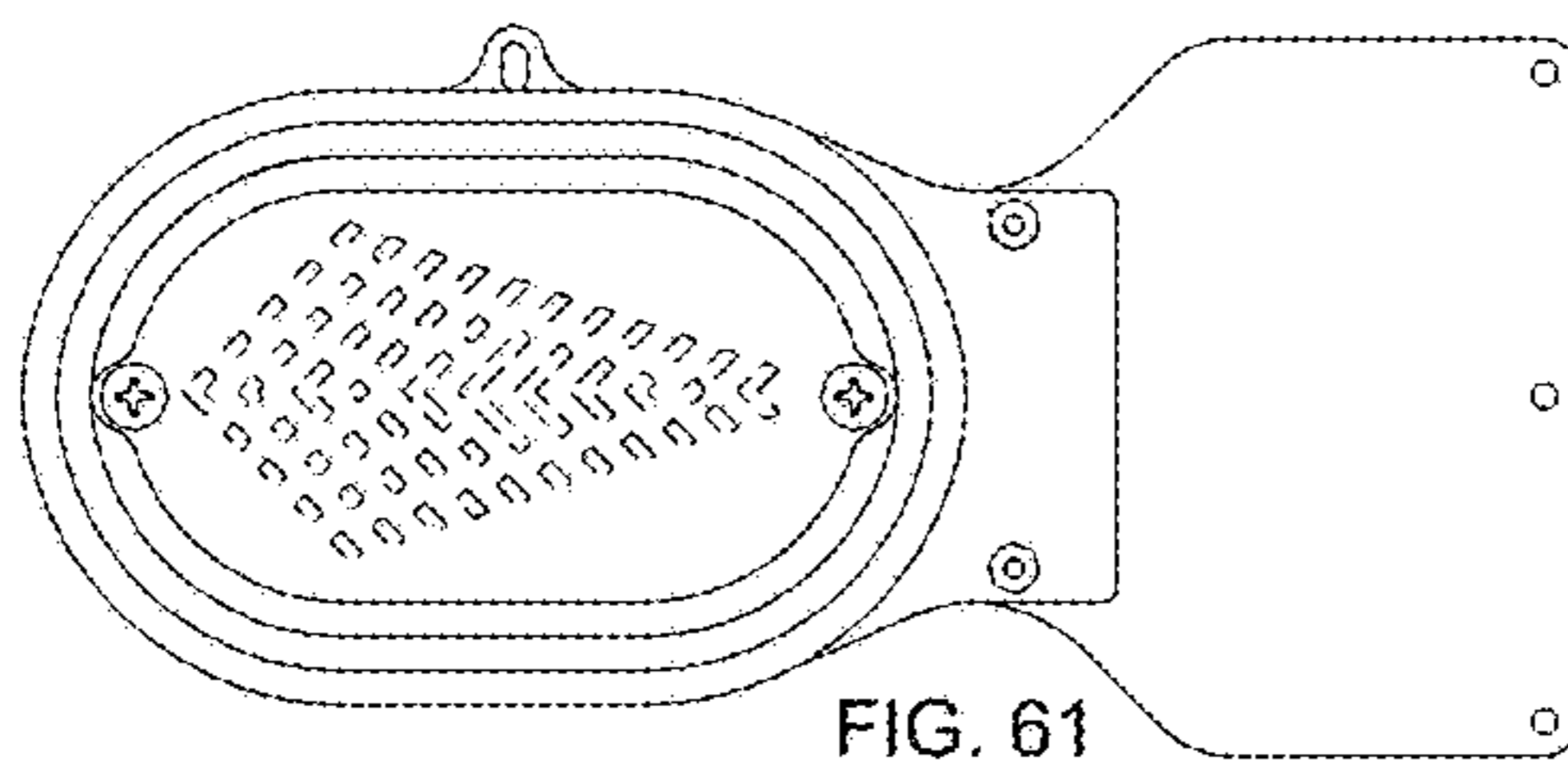


FIG. 61

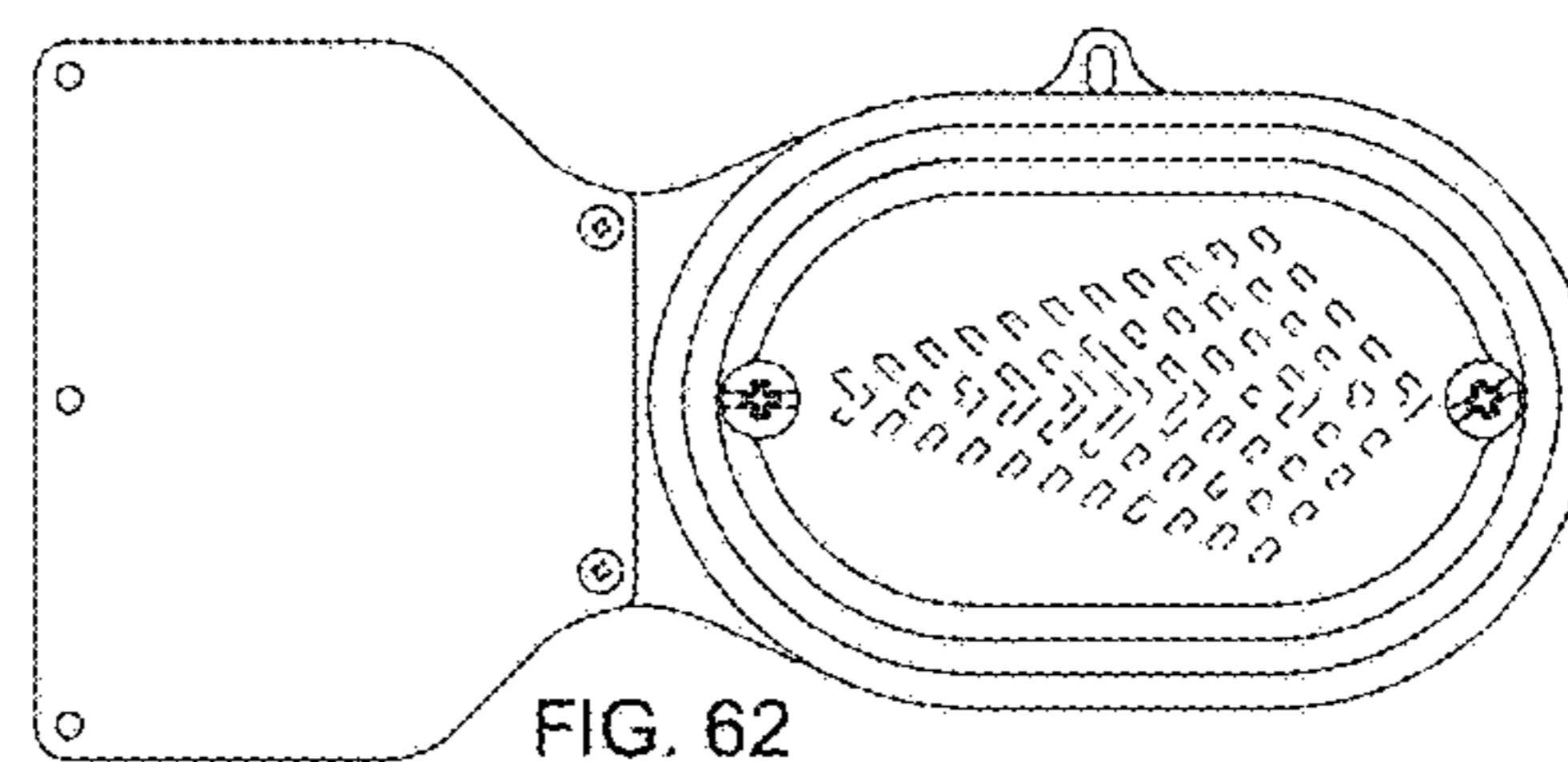


FIG. 62

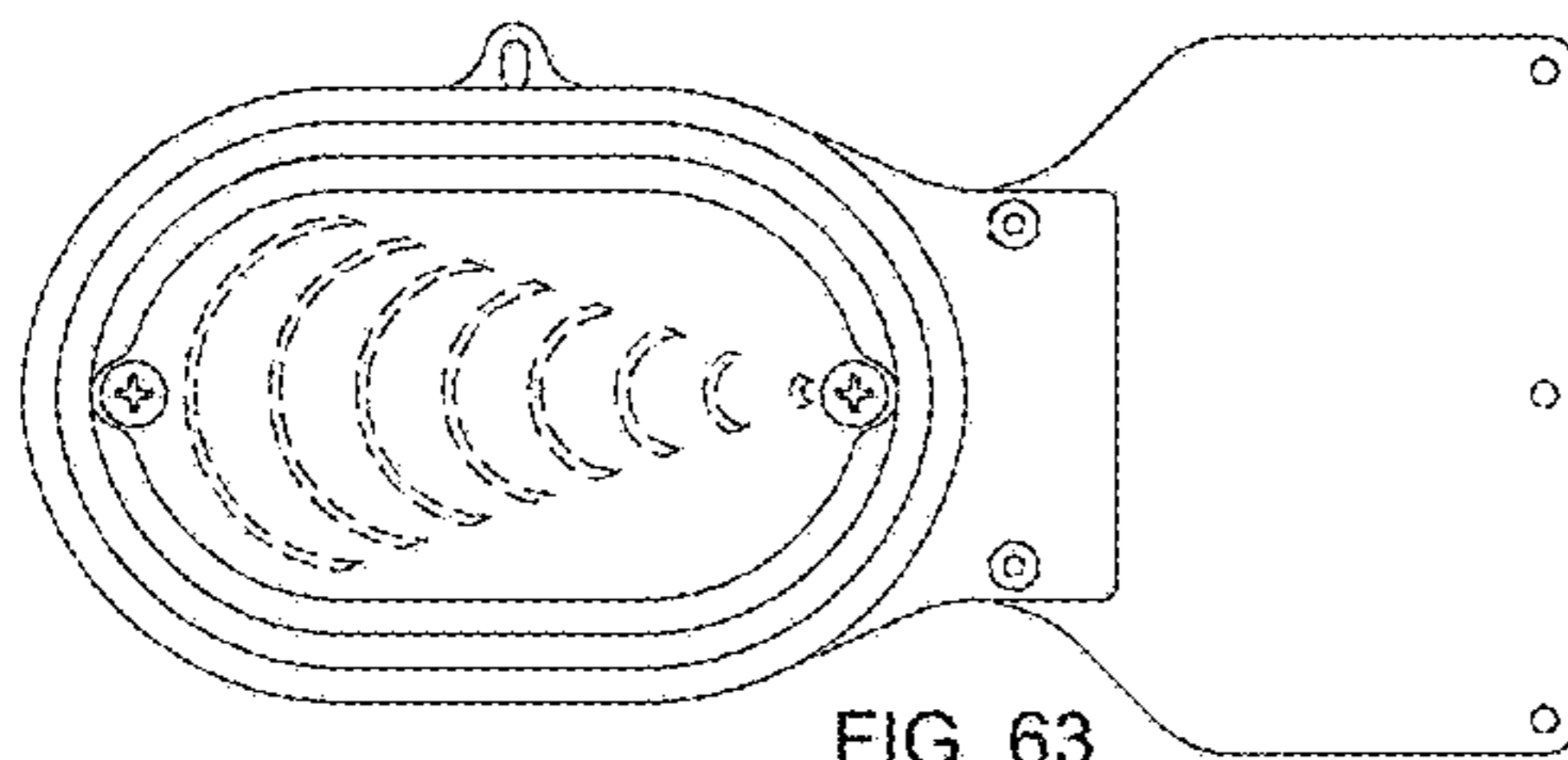


FIG. 63

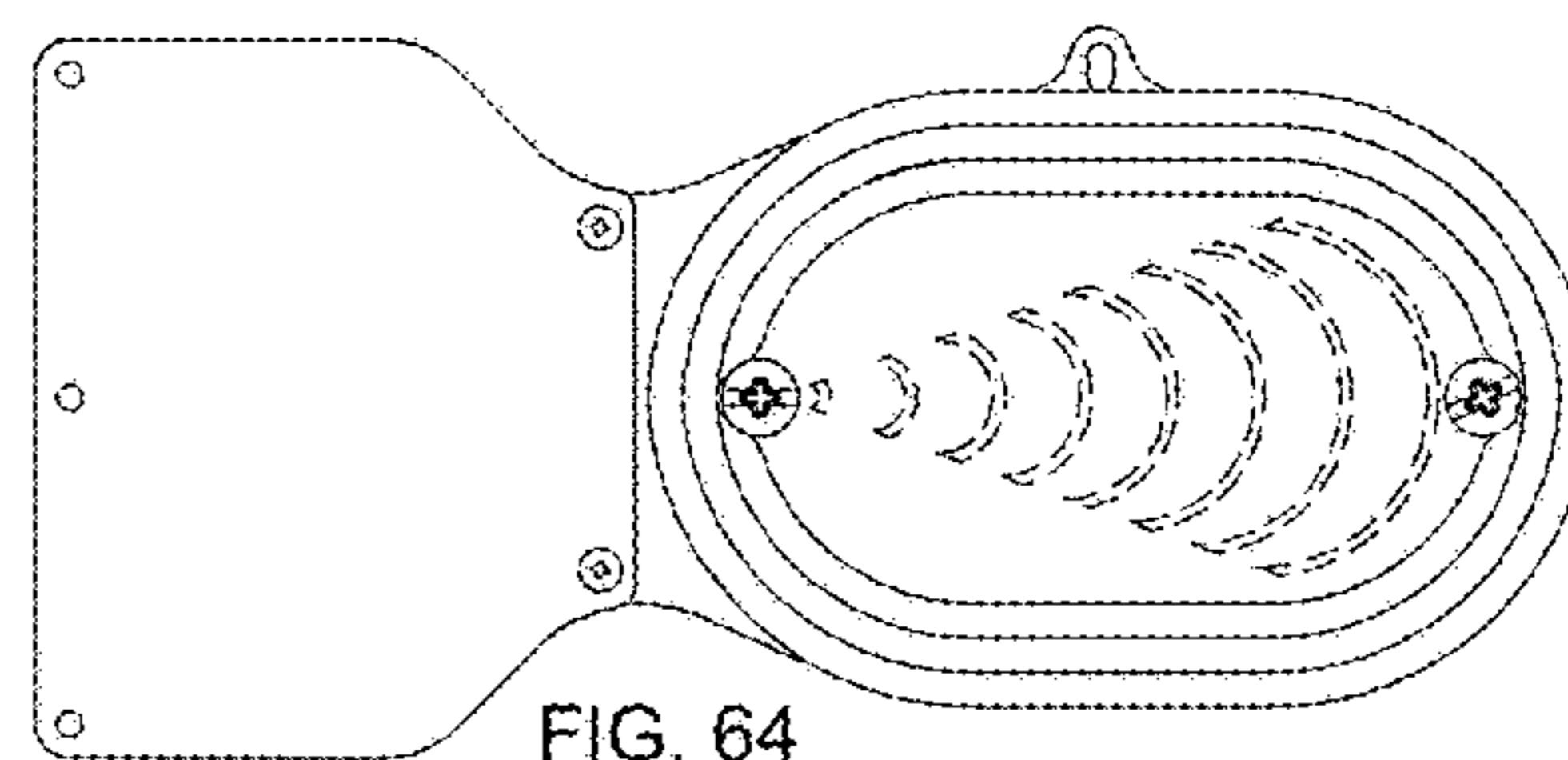


FIG. 64

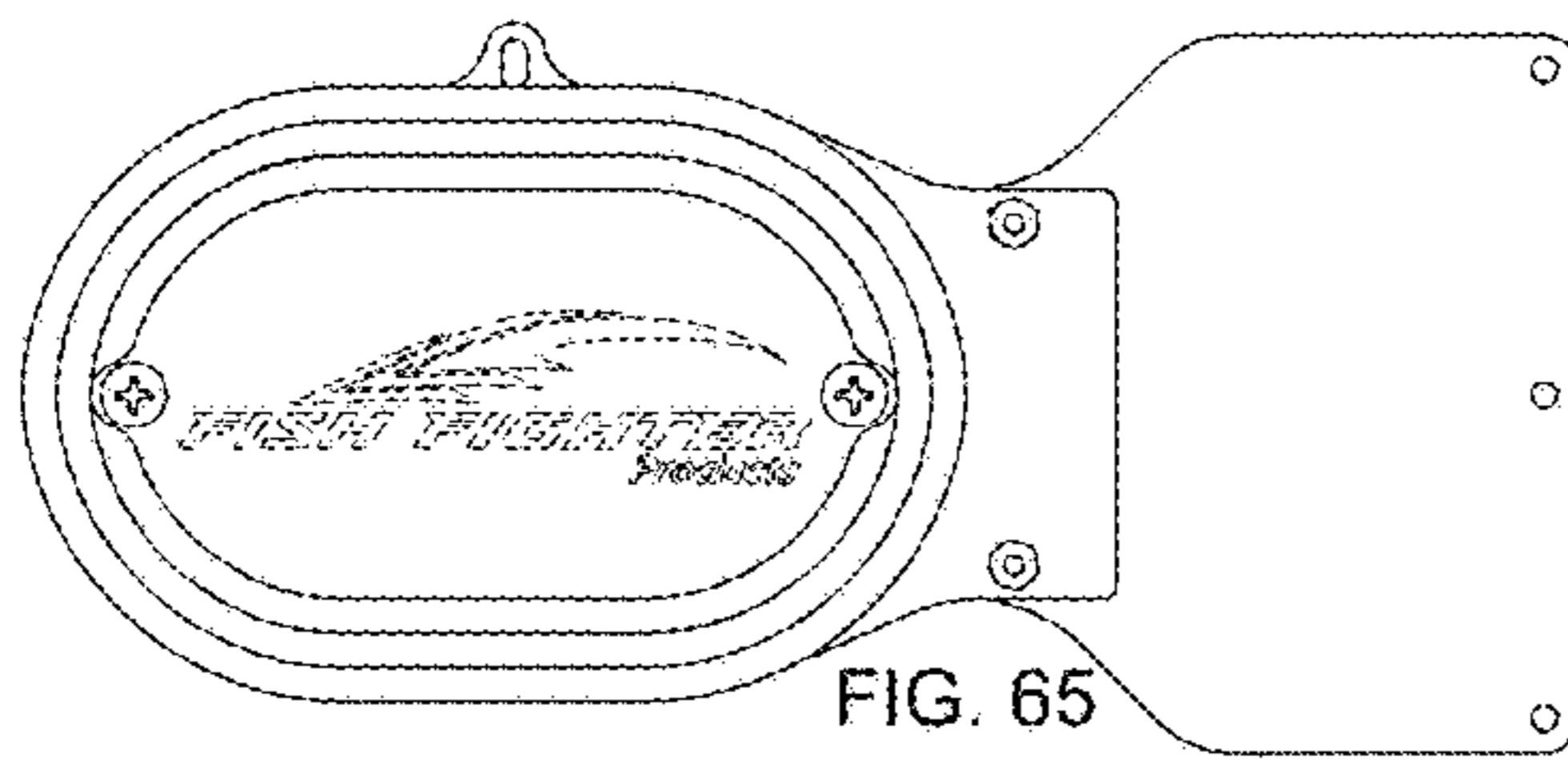


FIG. 65

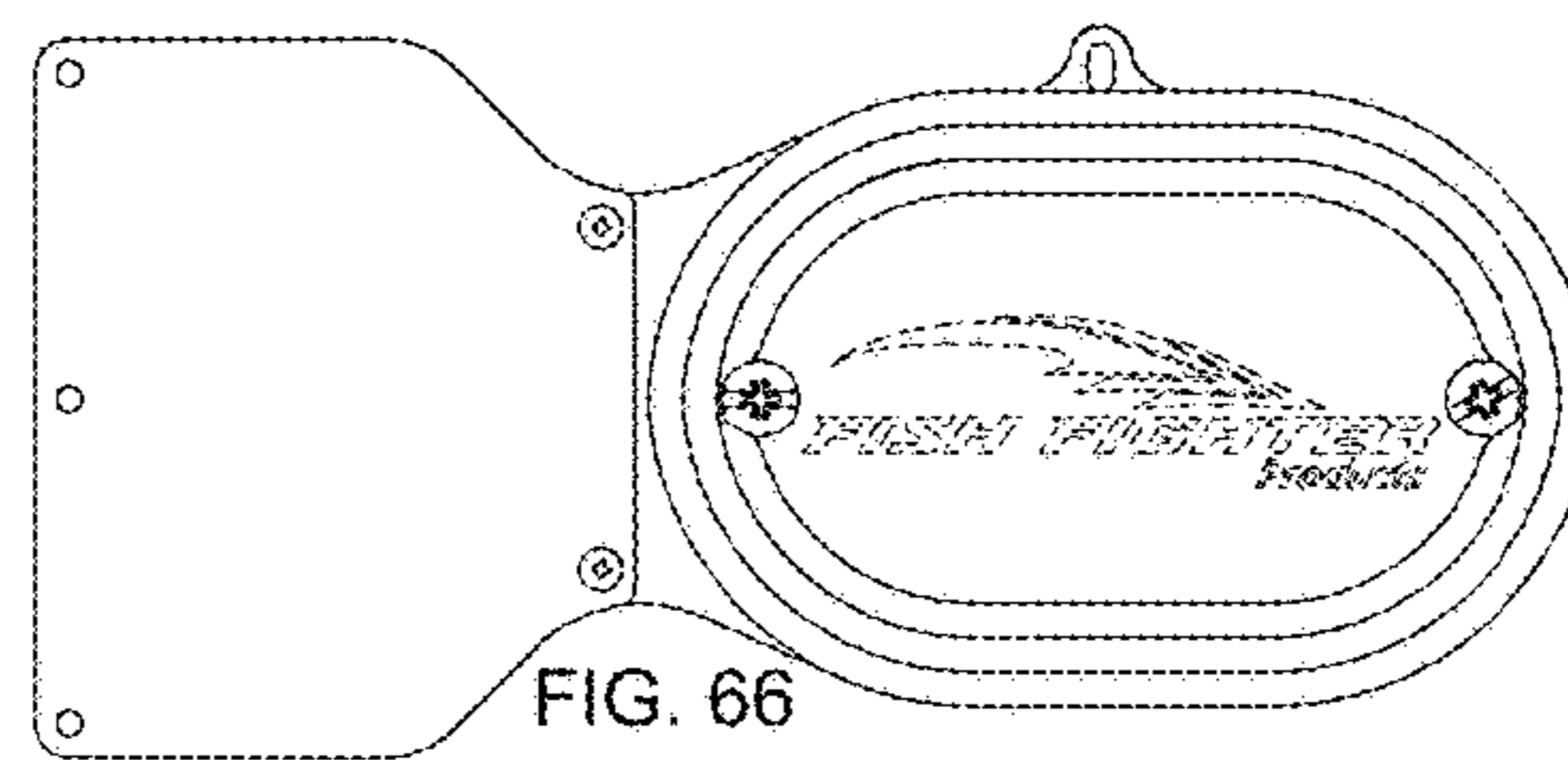


FIG. 66

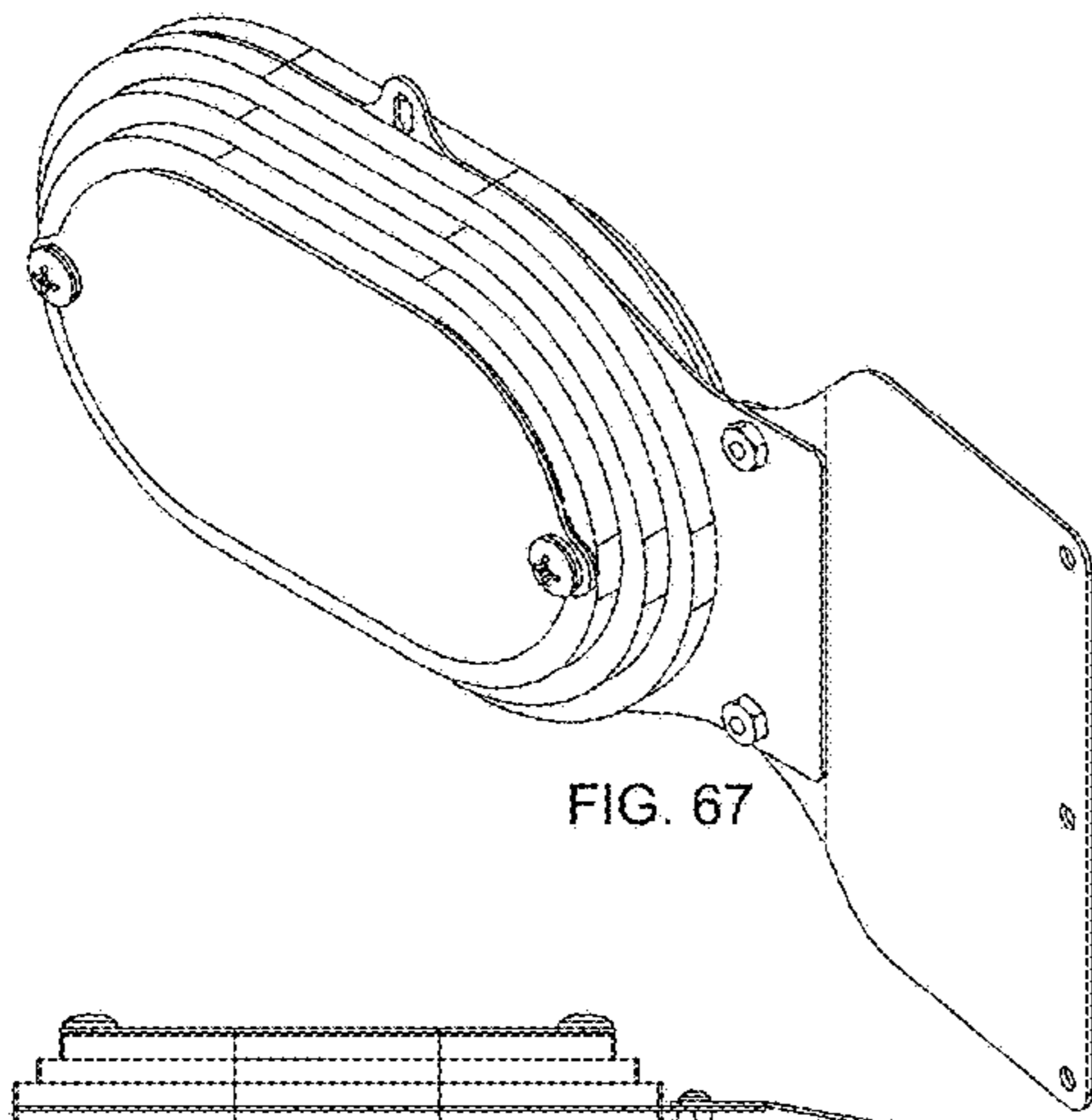


FIG. 67

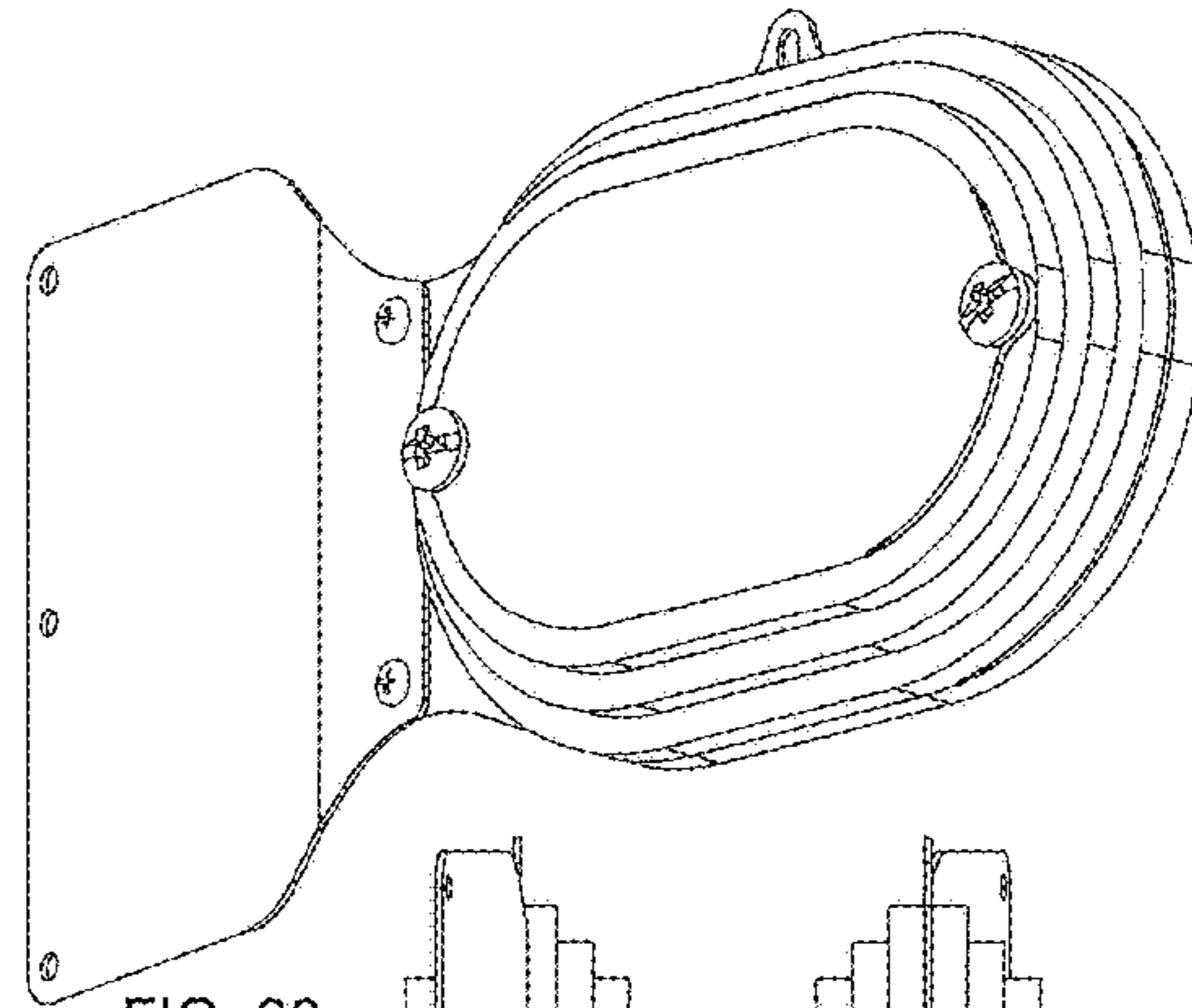


FIG. 68

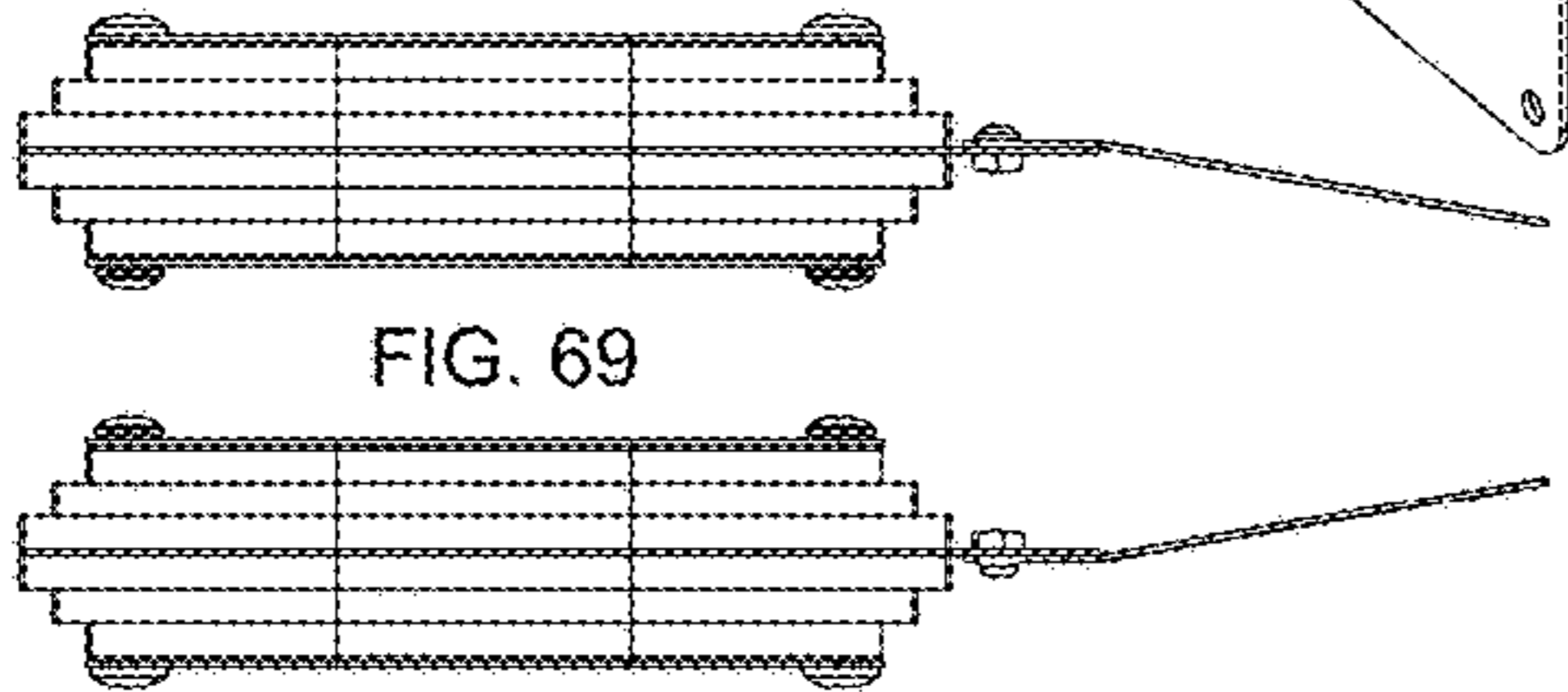


FIG. 69

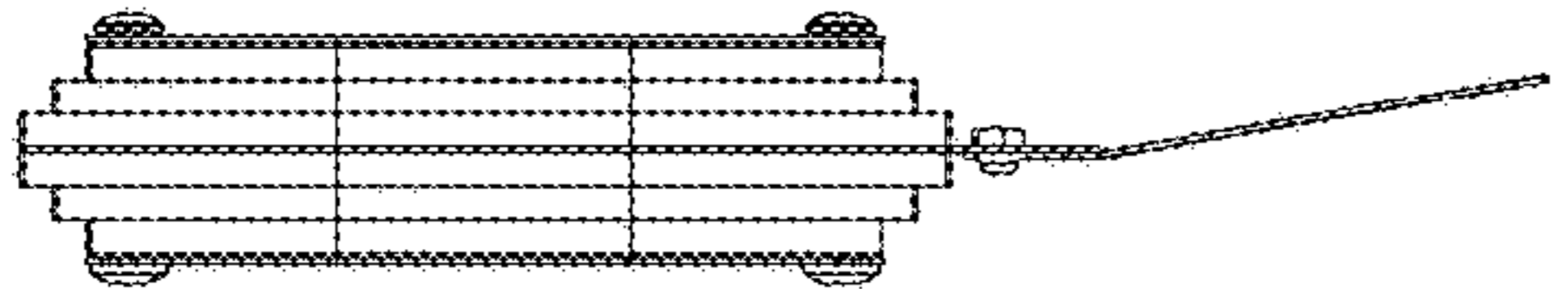


FIG. 70

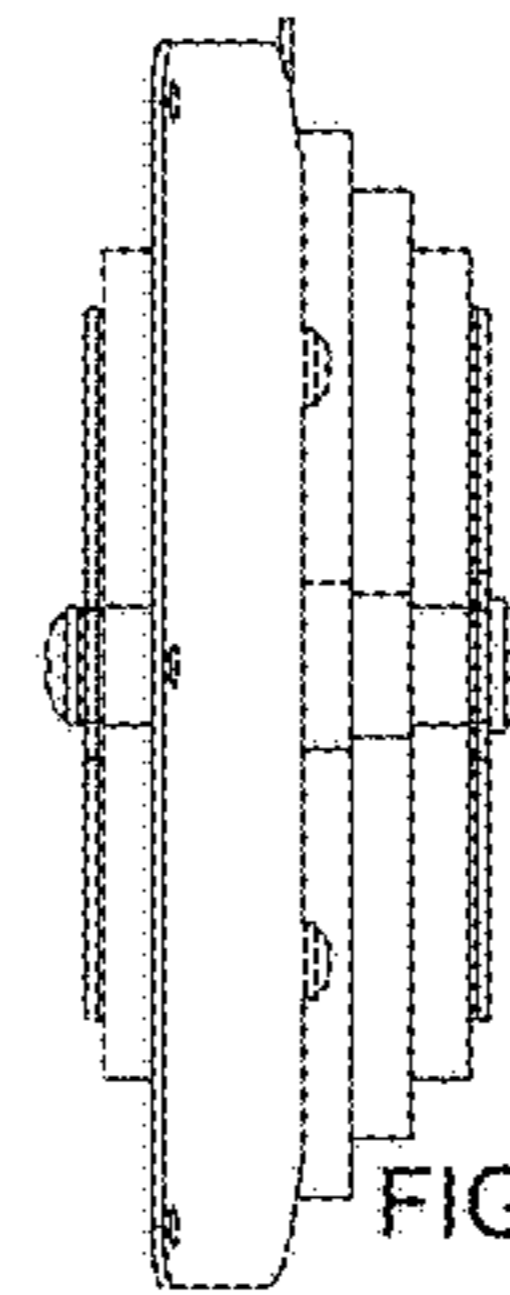


FIG. 71

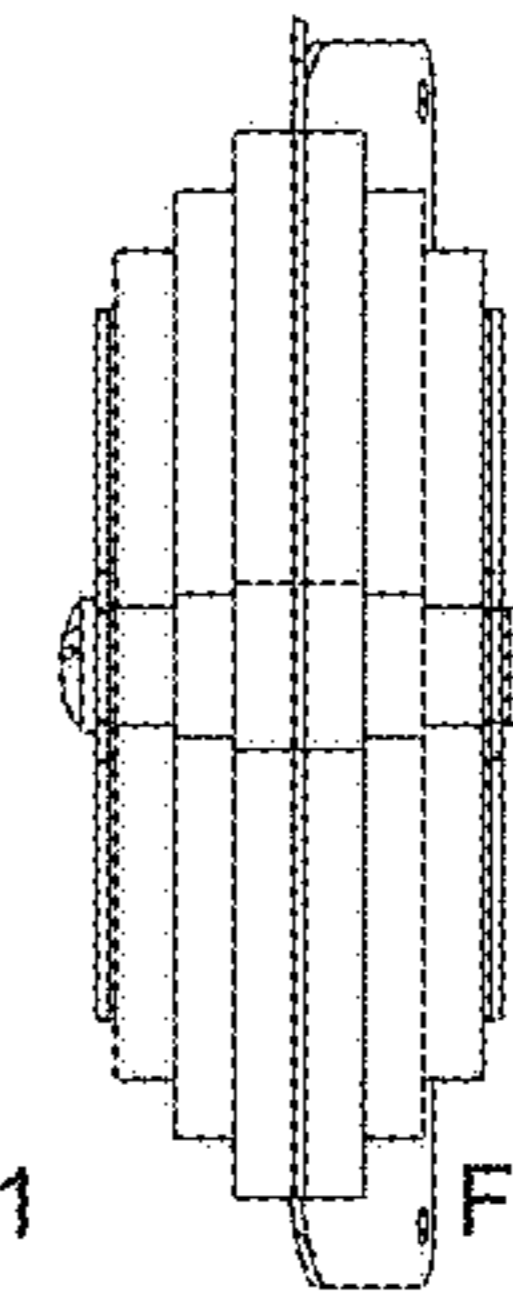


FIG. 72

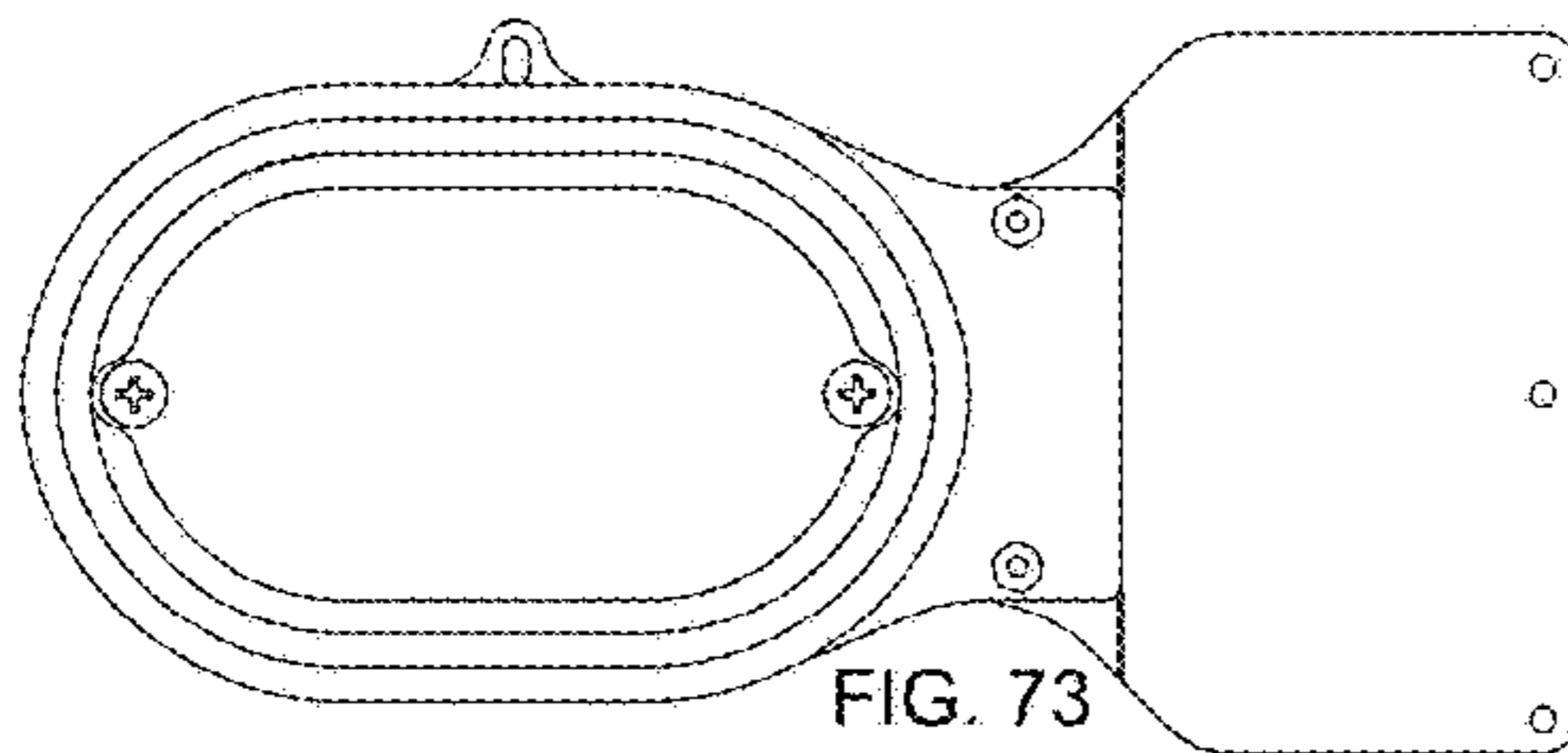


FIG. 73

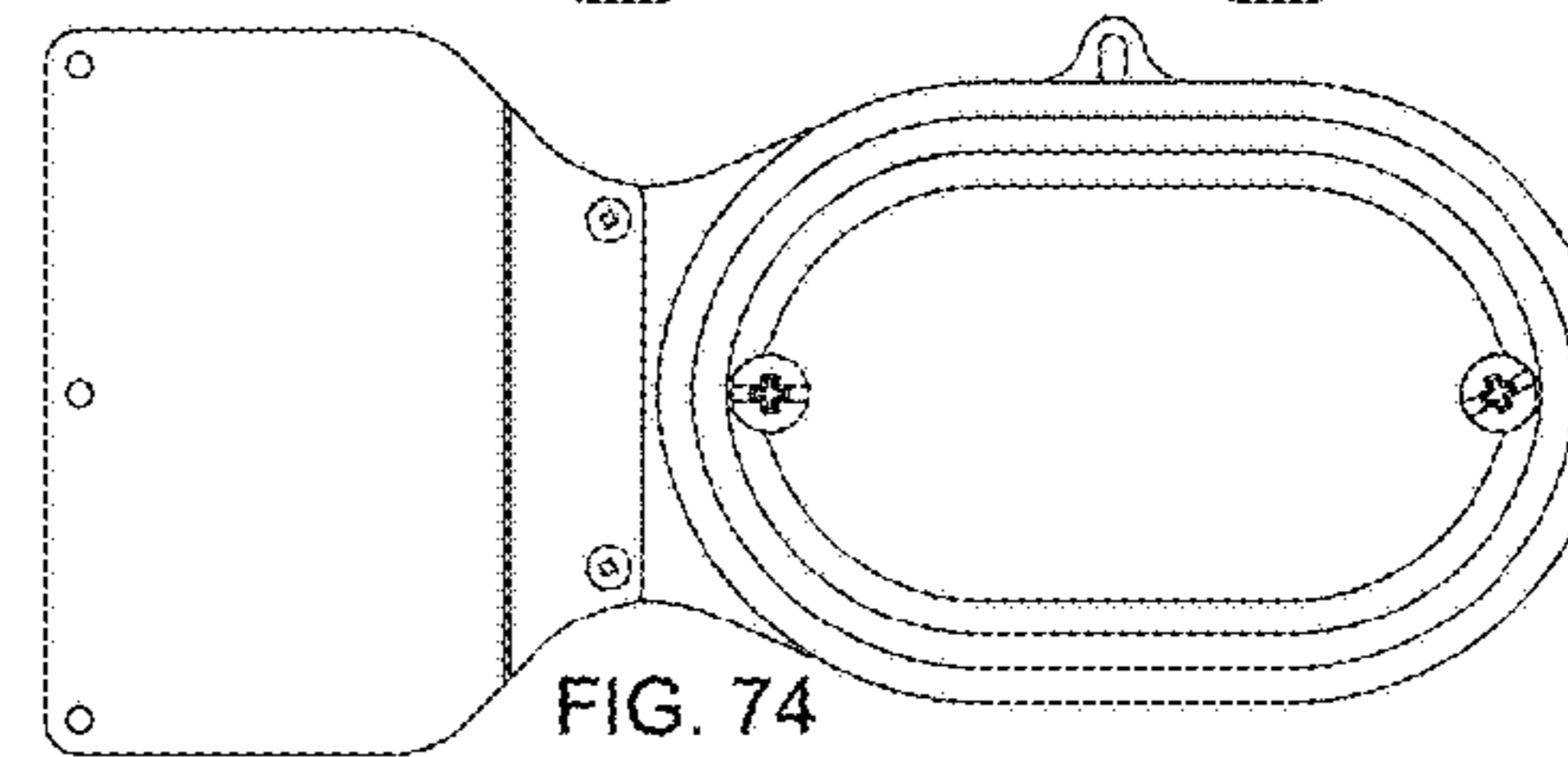


FIG. 74

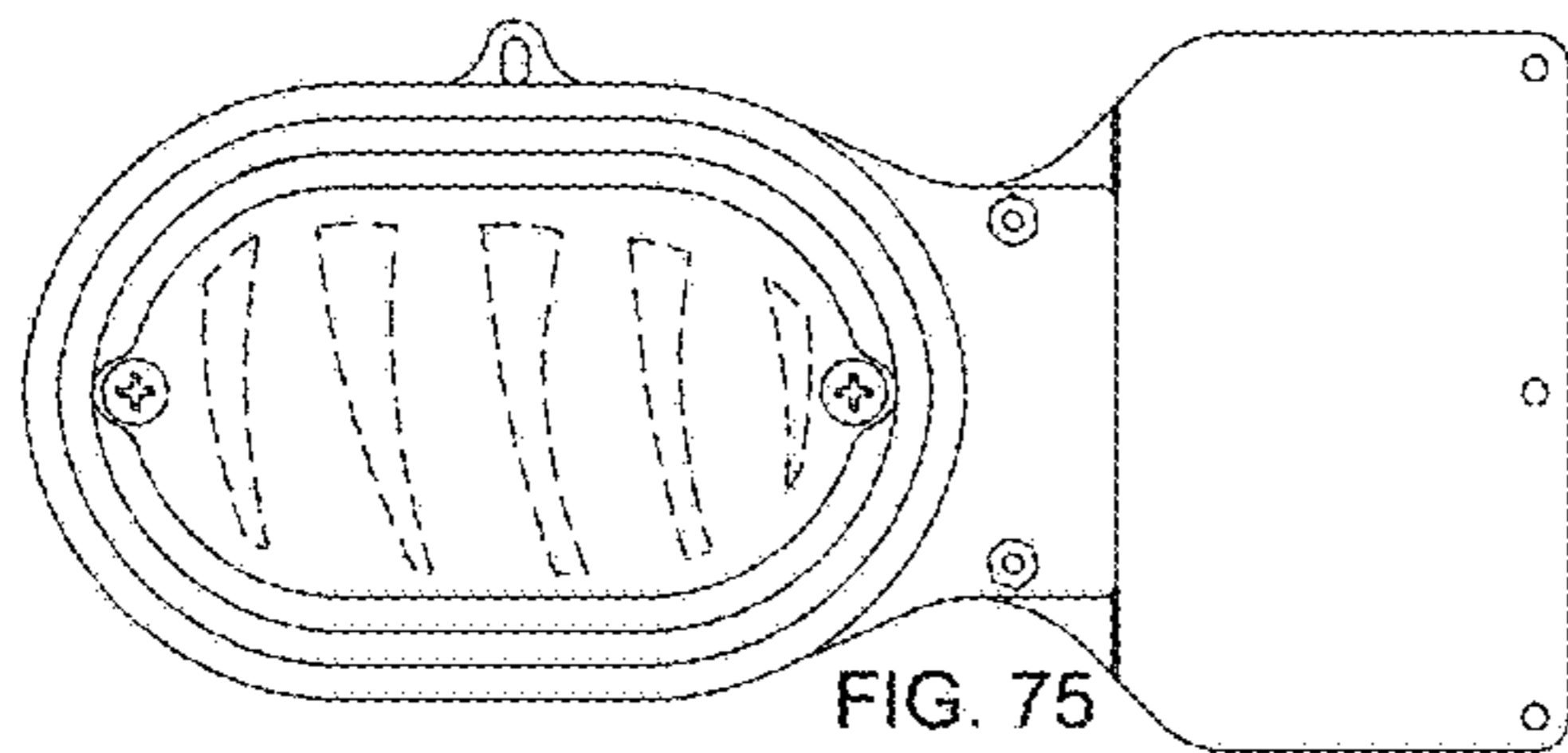


FIG. 75

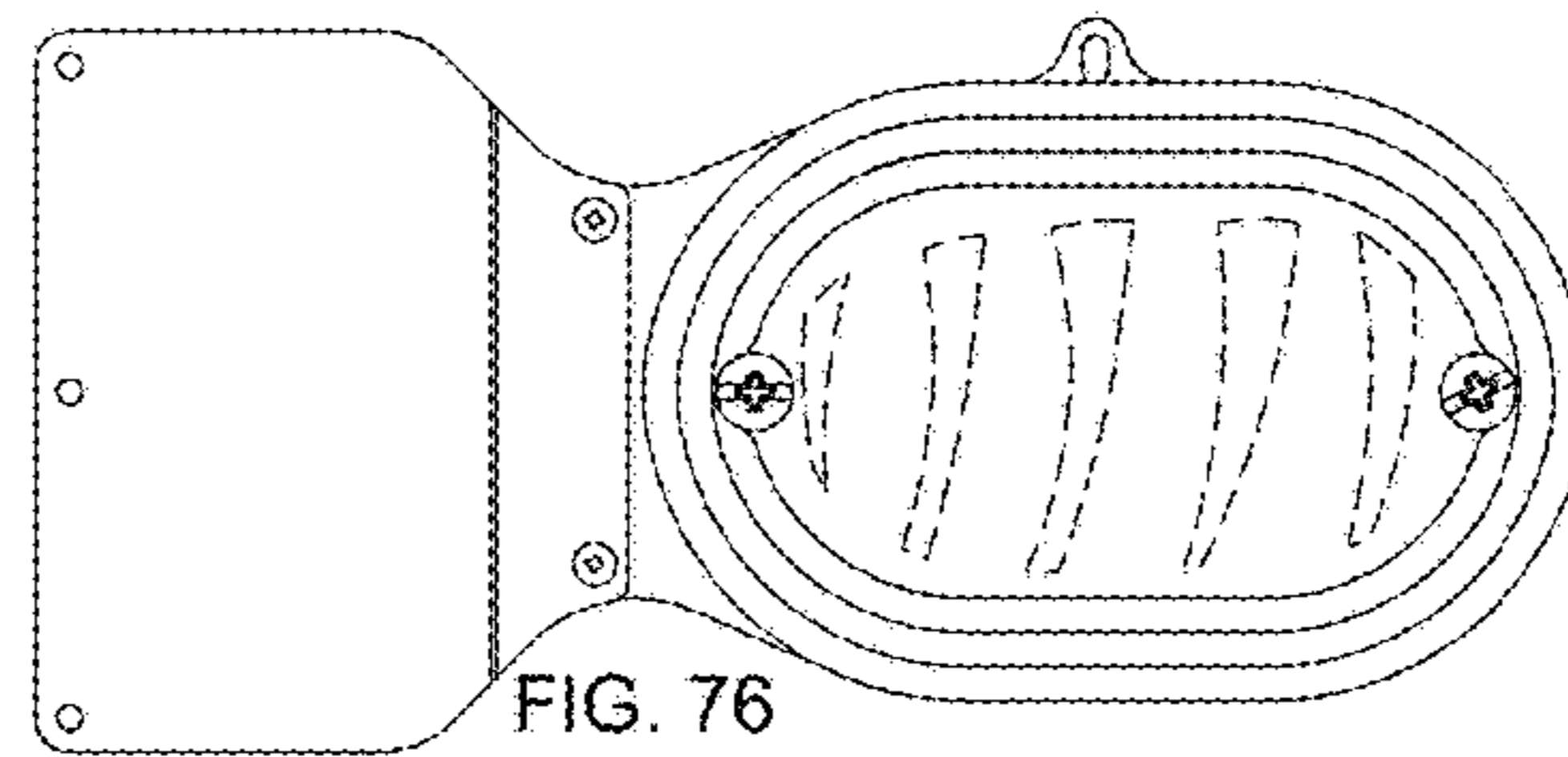


FIG. 76

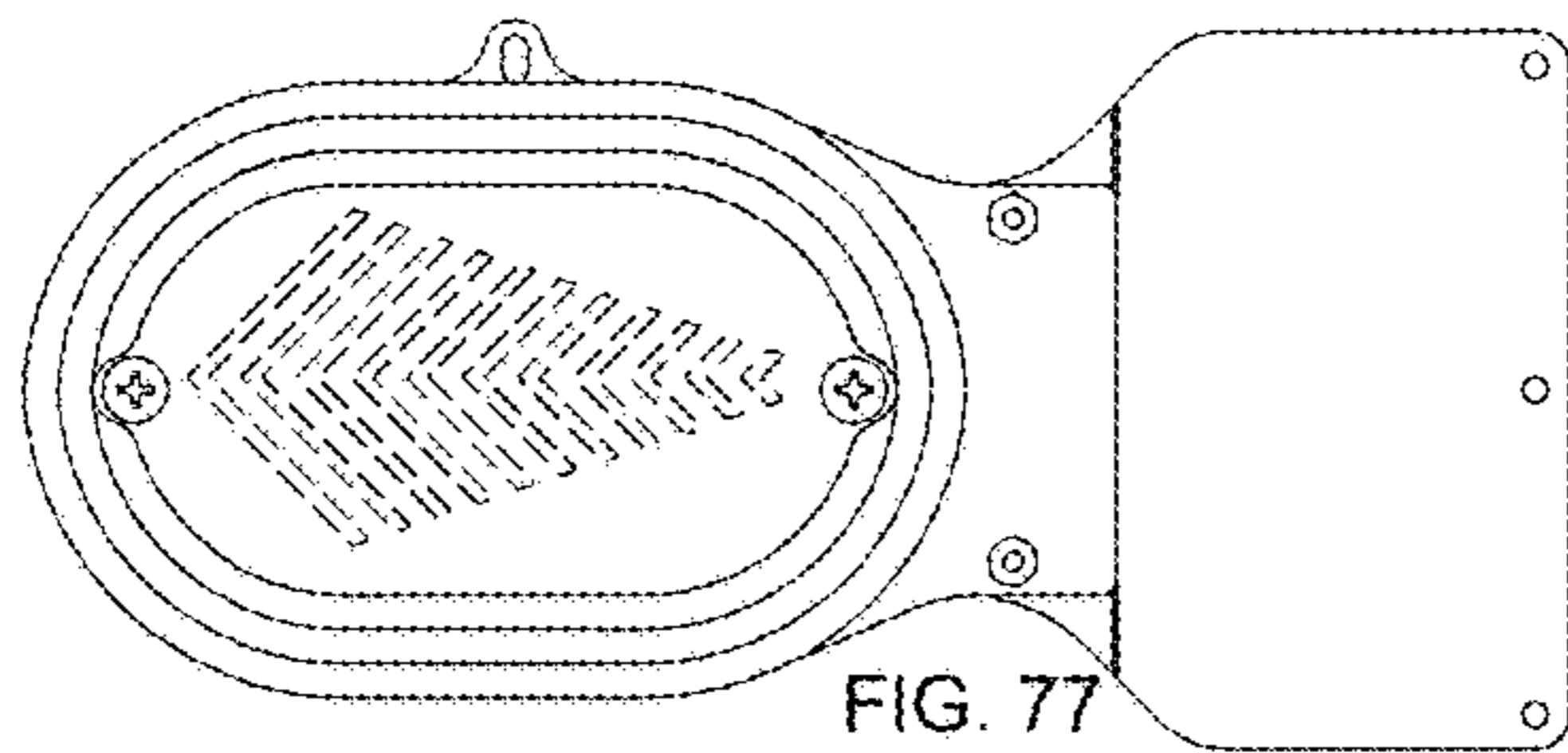


FIG. 77

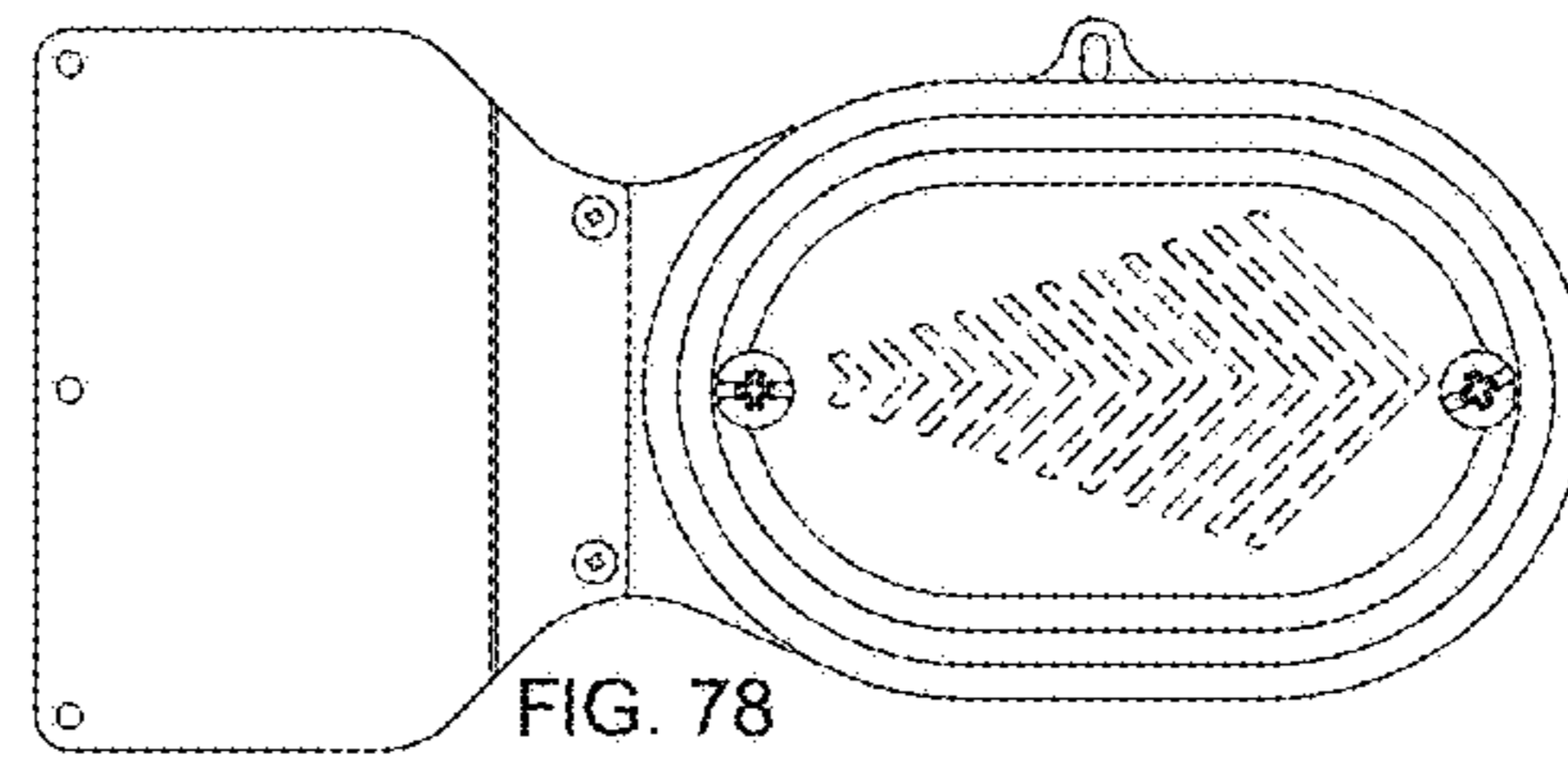
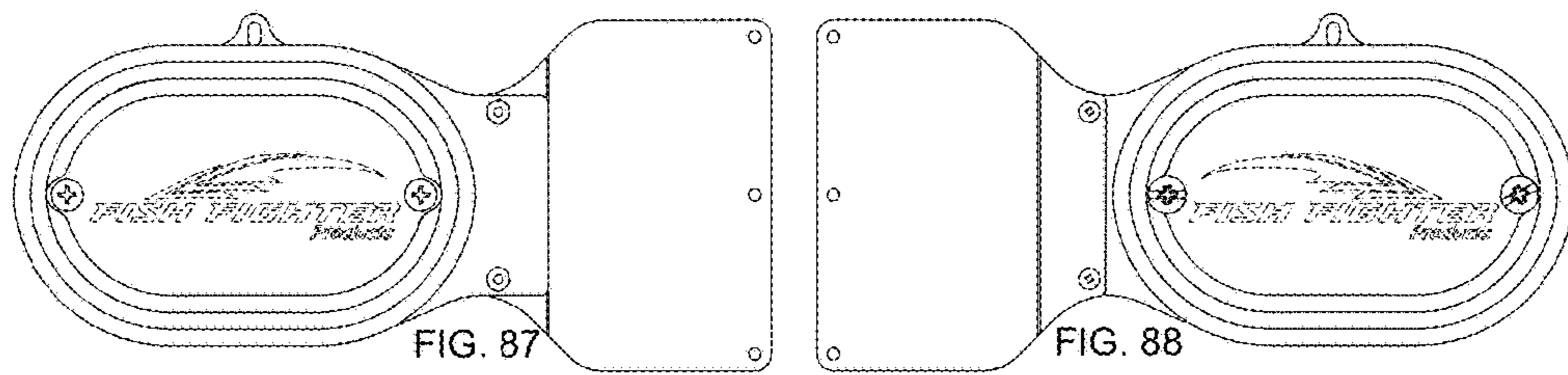
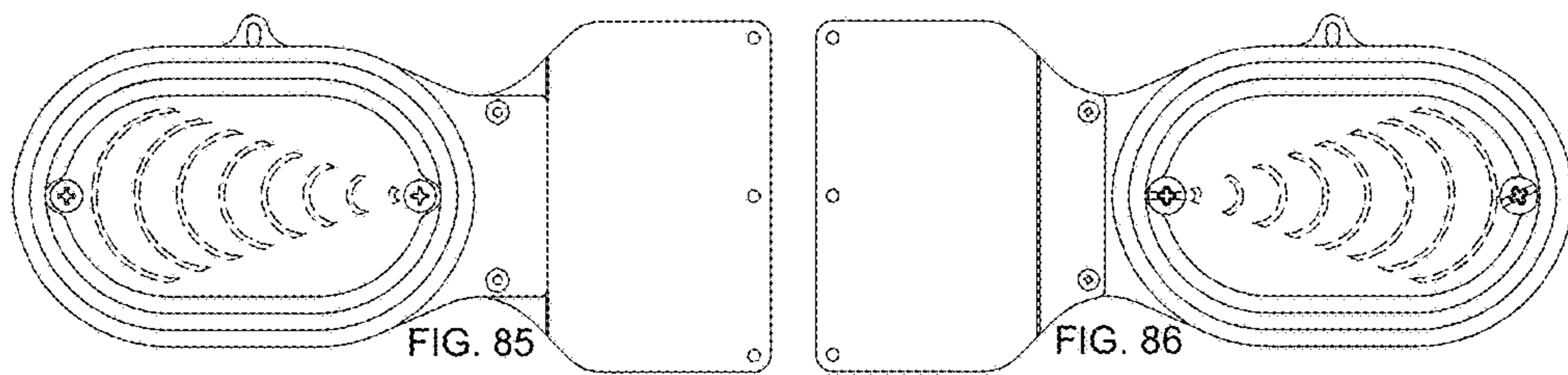
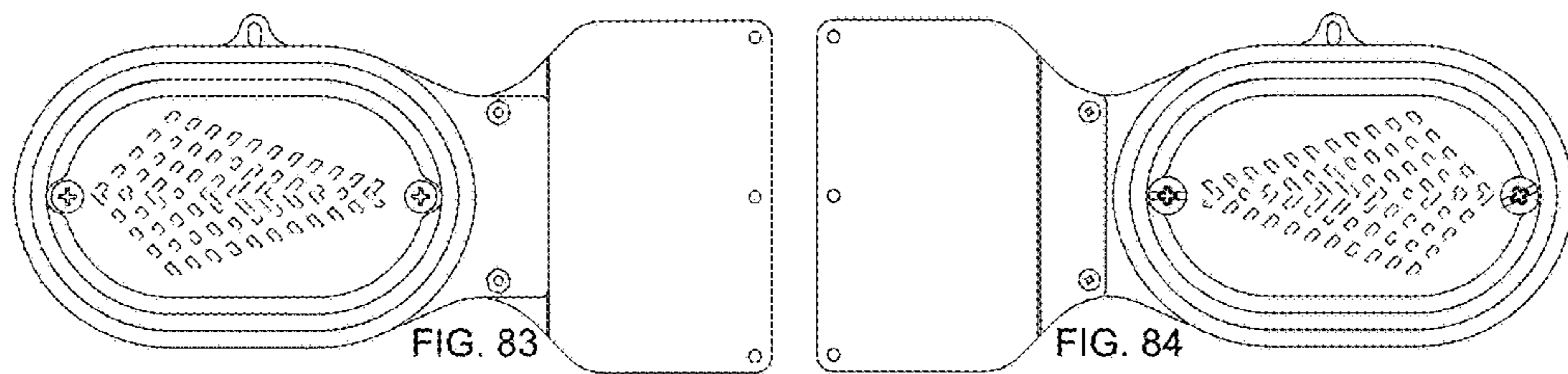
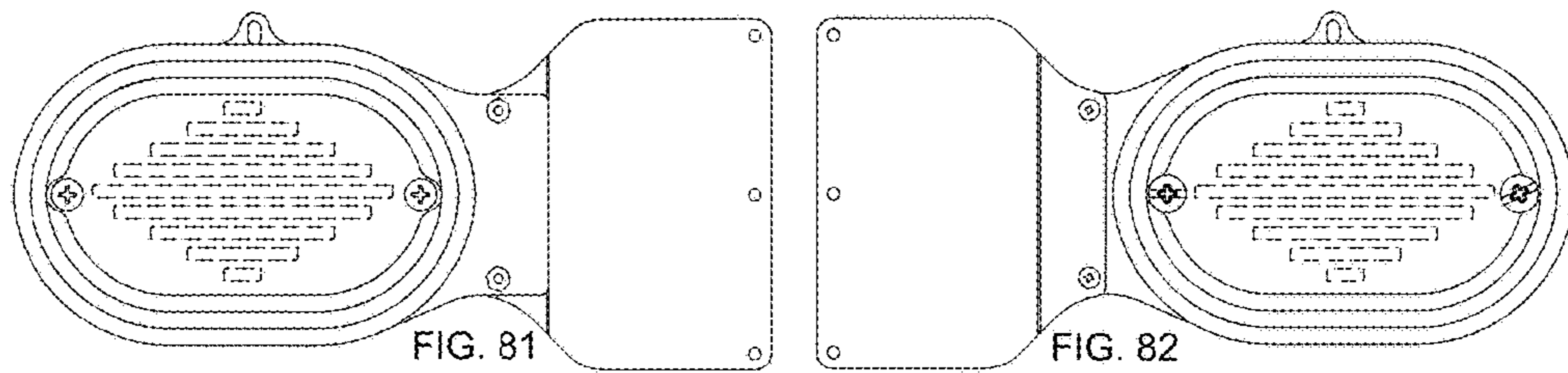
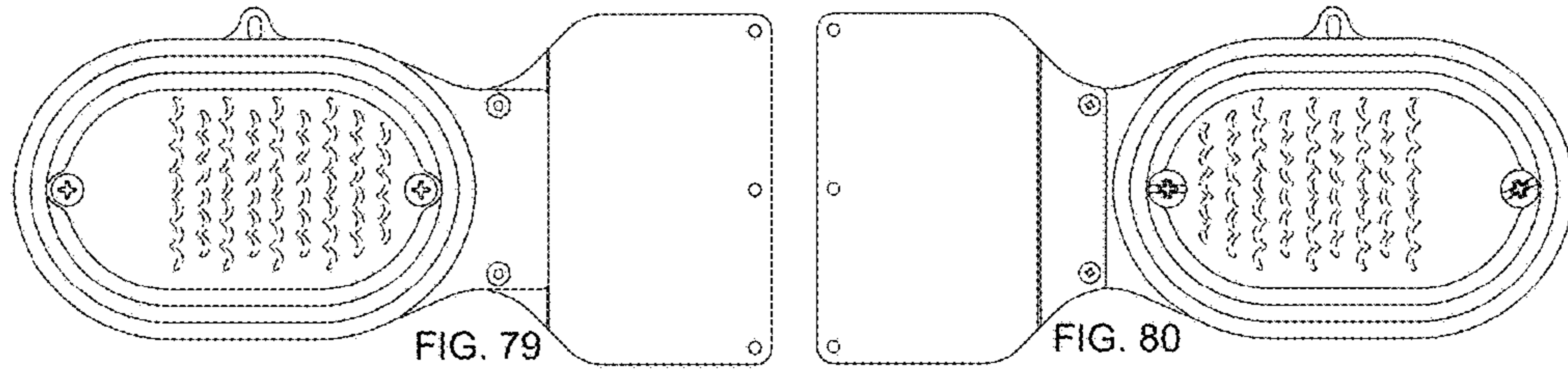


FIG. 78



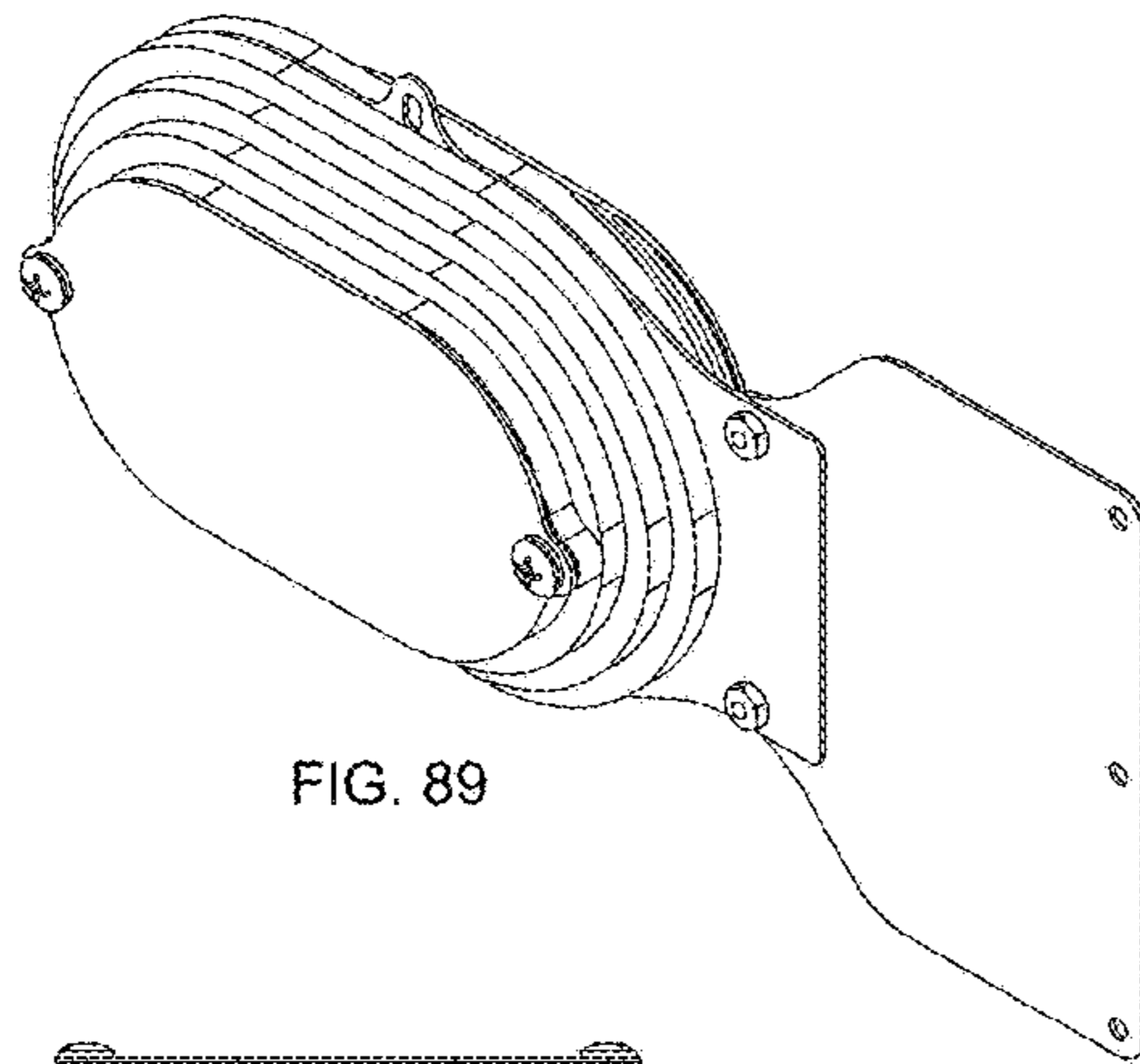


FIG. 89

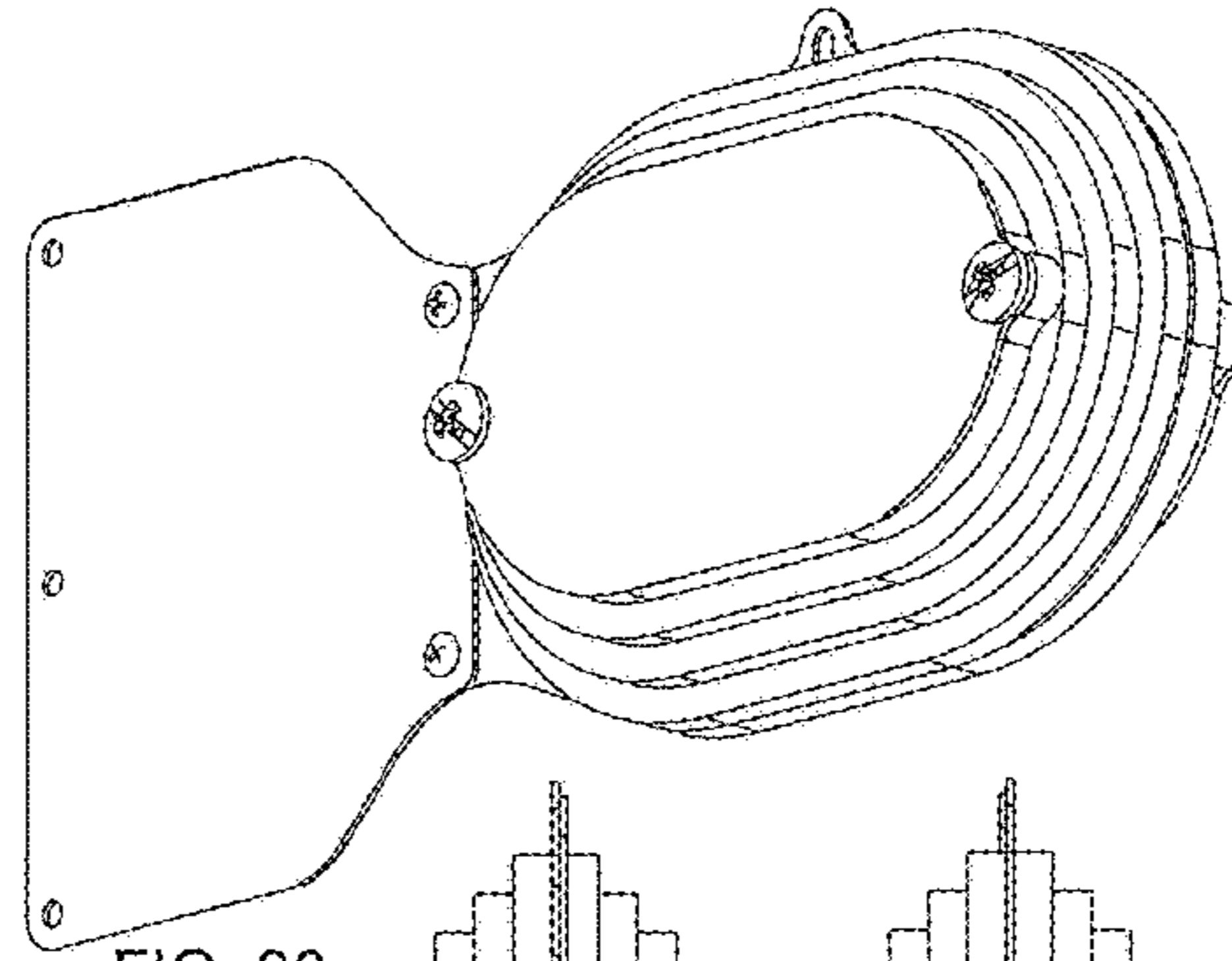


FIG. 90

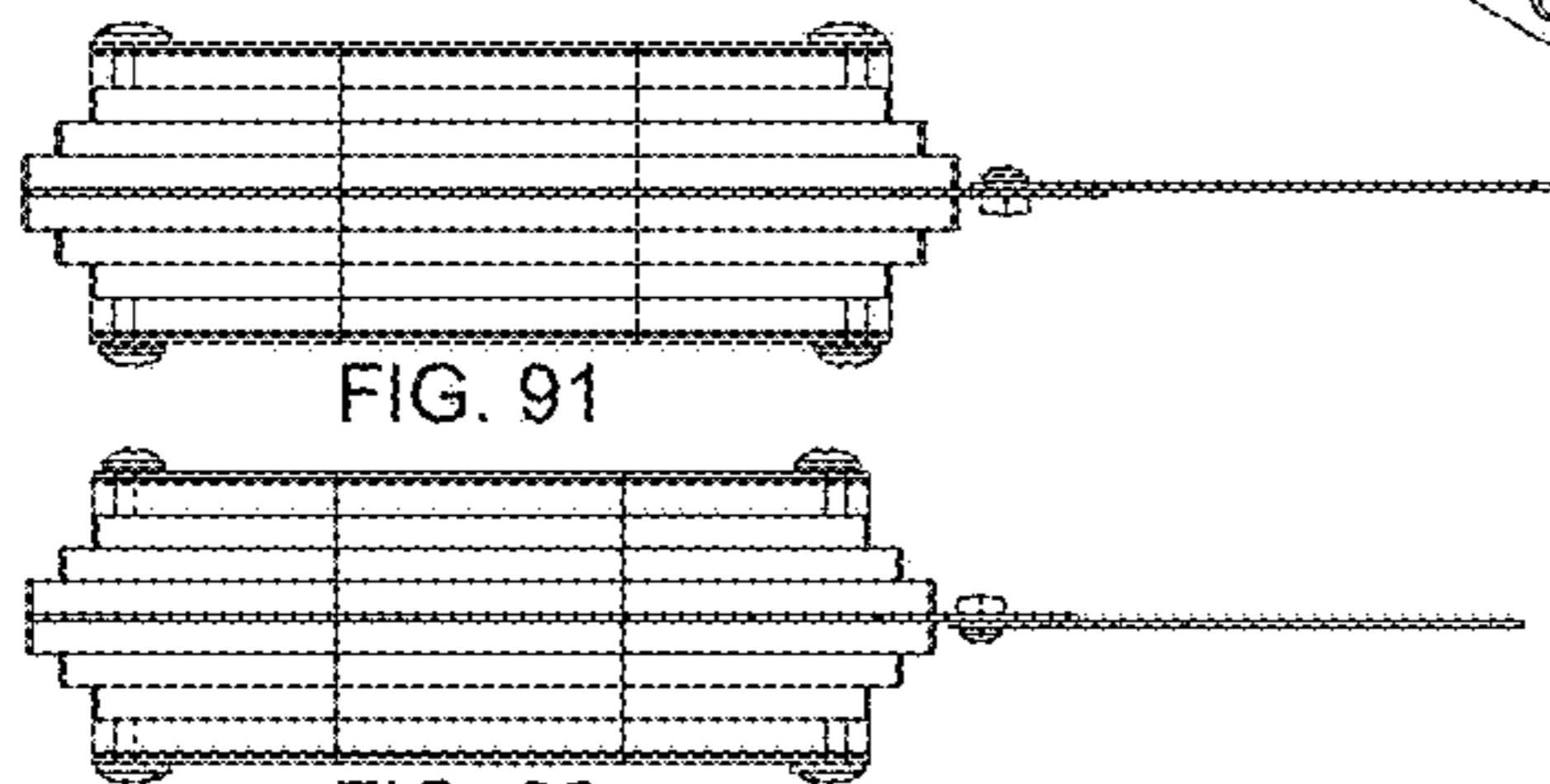


FIG. 91

FIG. 92

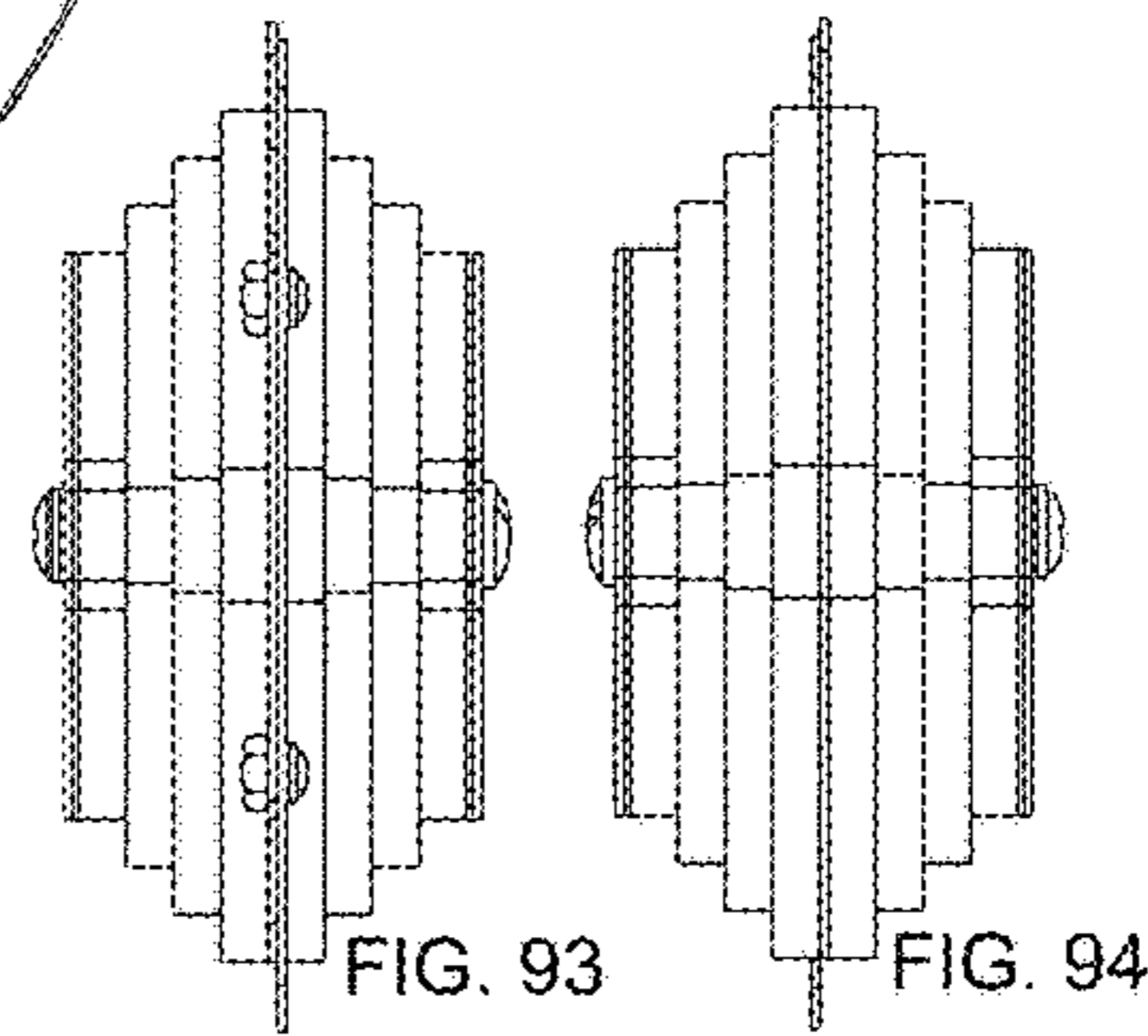


FIG. 93

FIG. 94

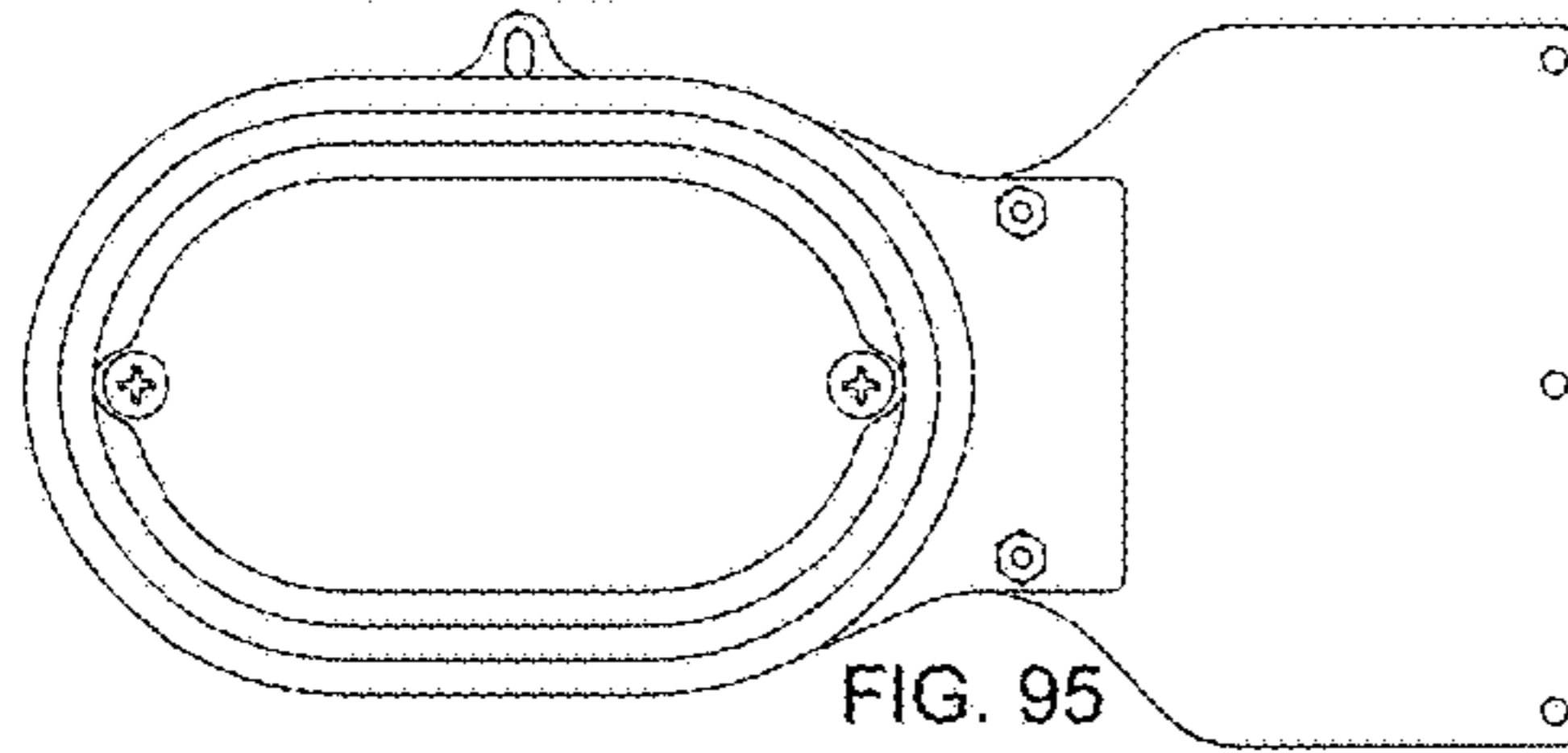


FIG. 95

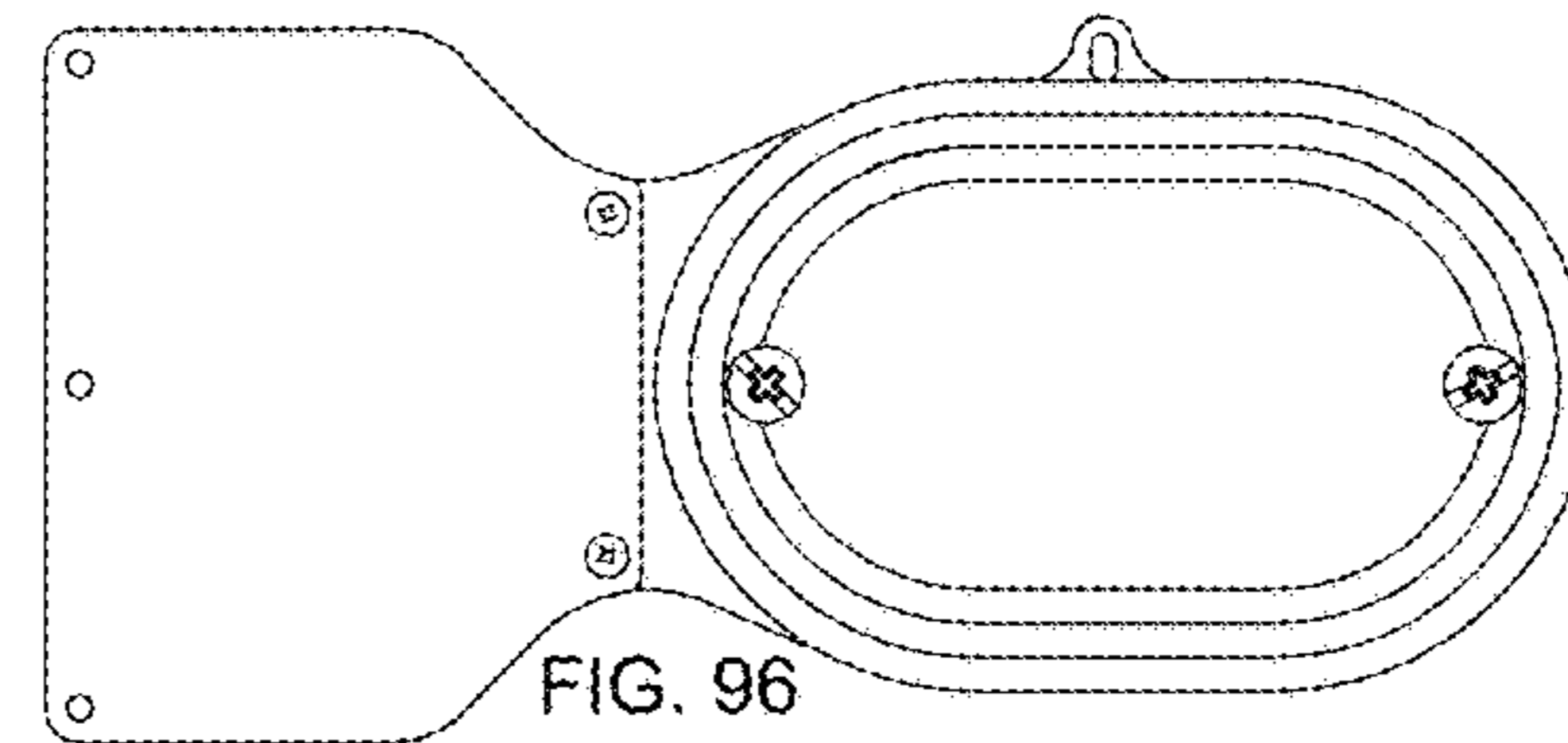


FIG. 96

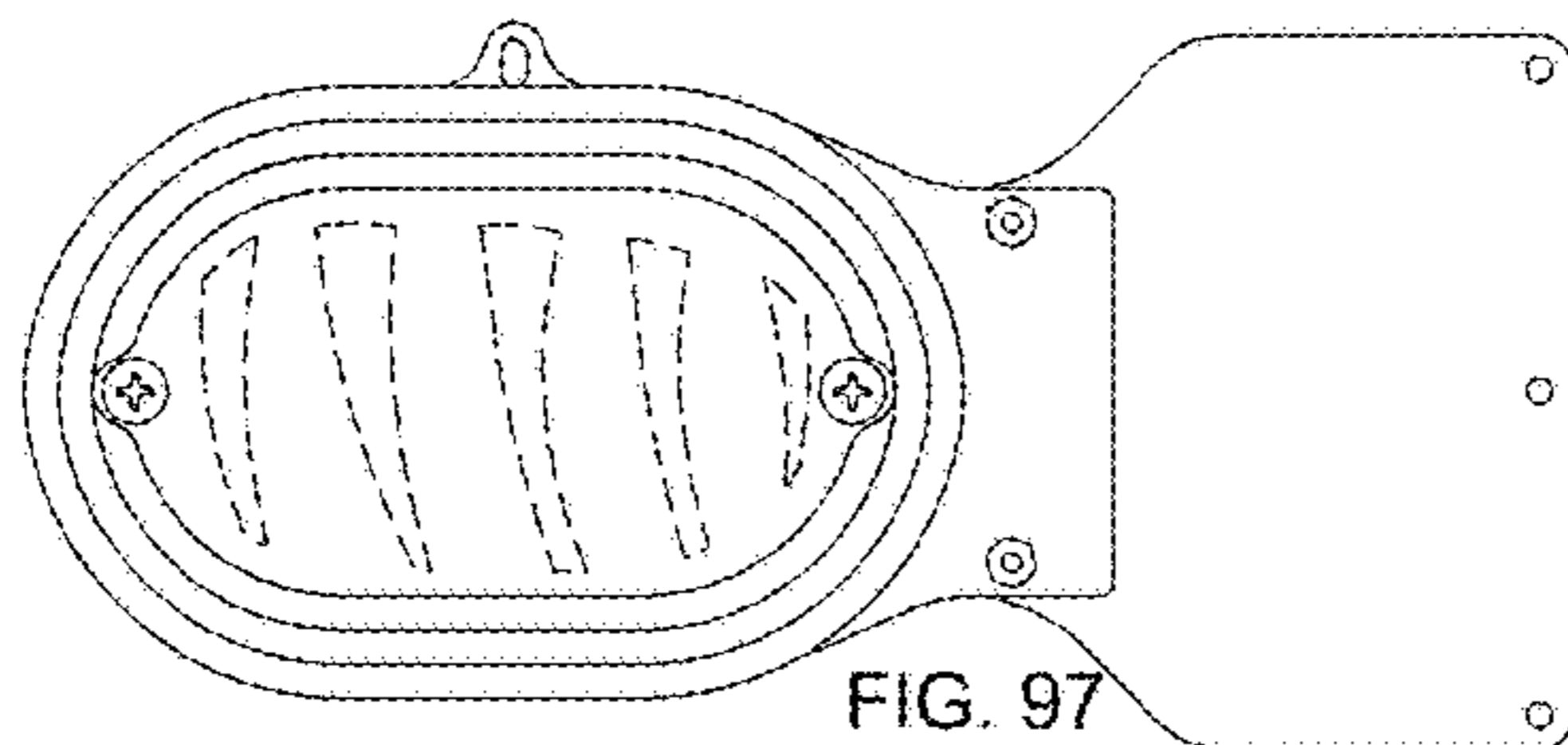


FIG. 97

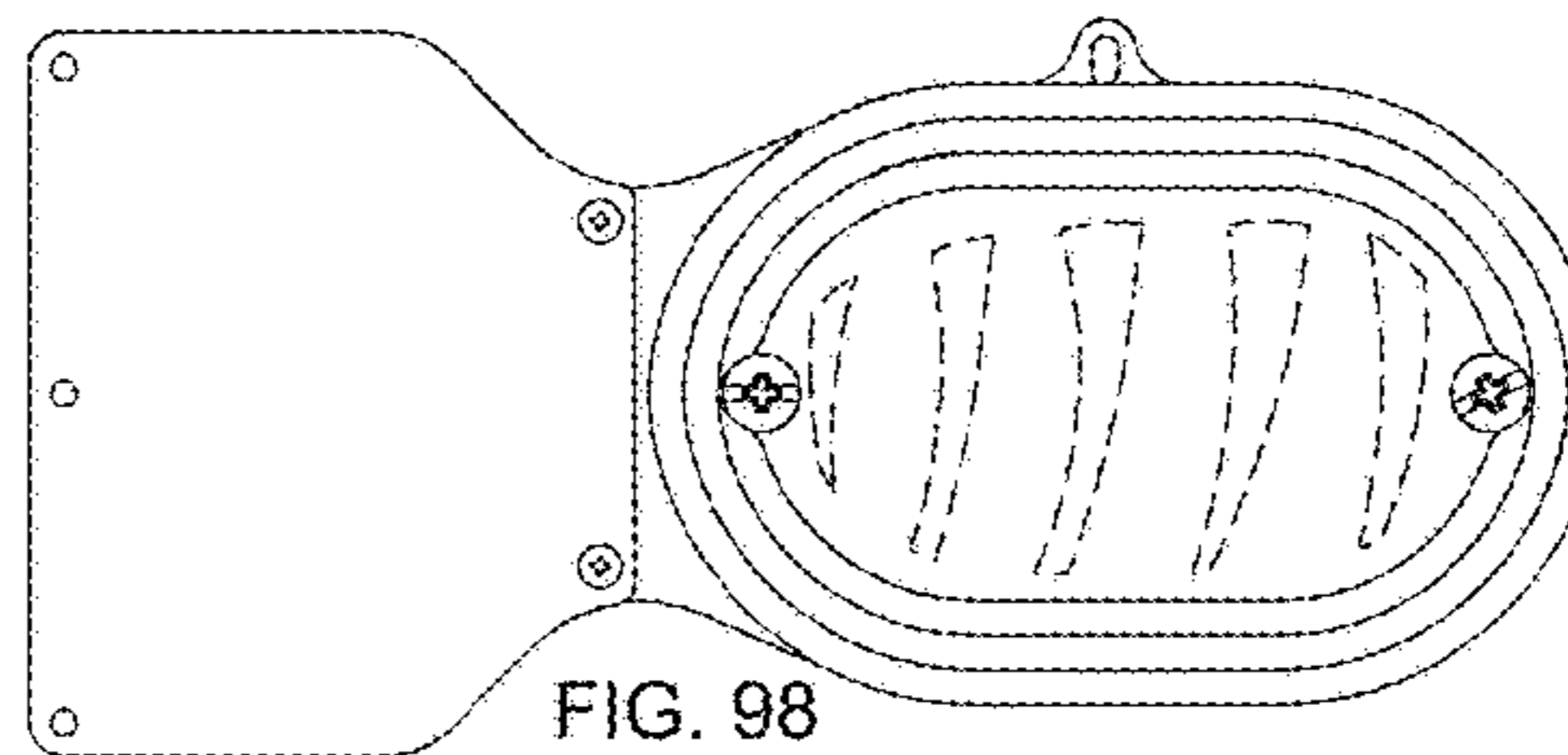


FIG. 98

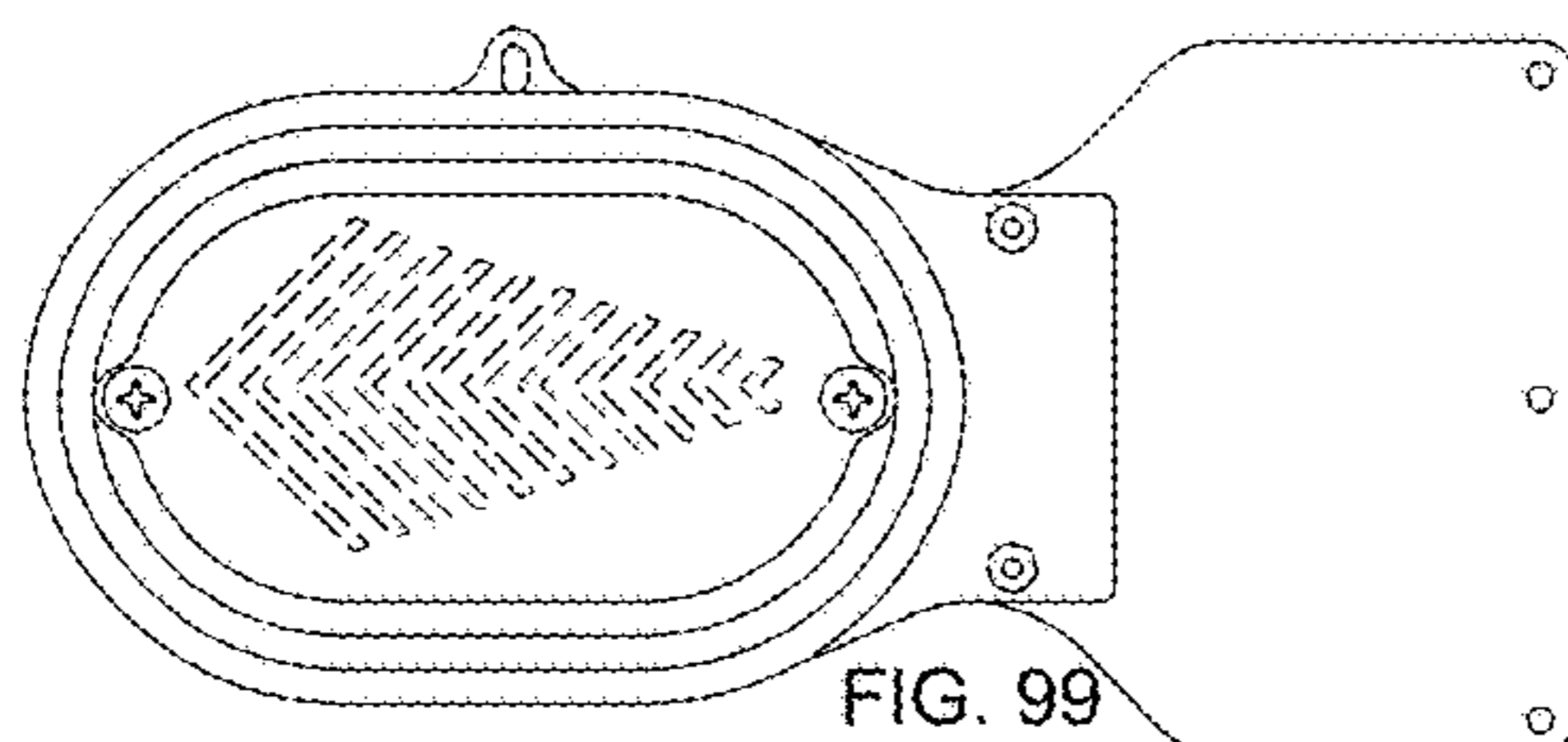


FIG. 99

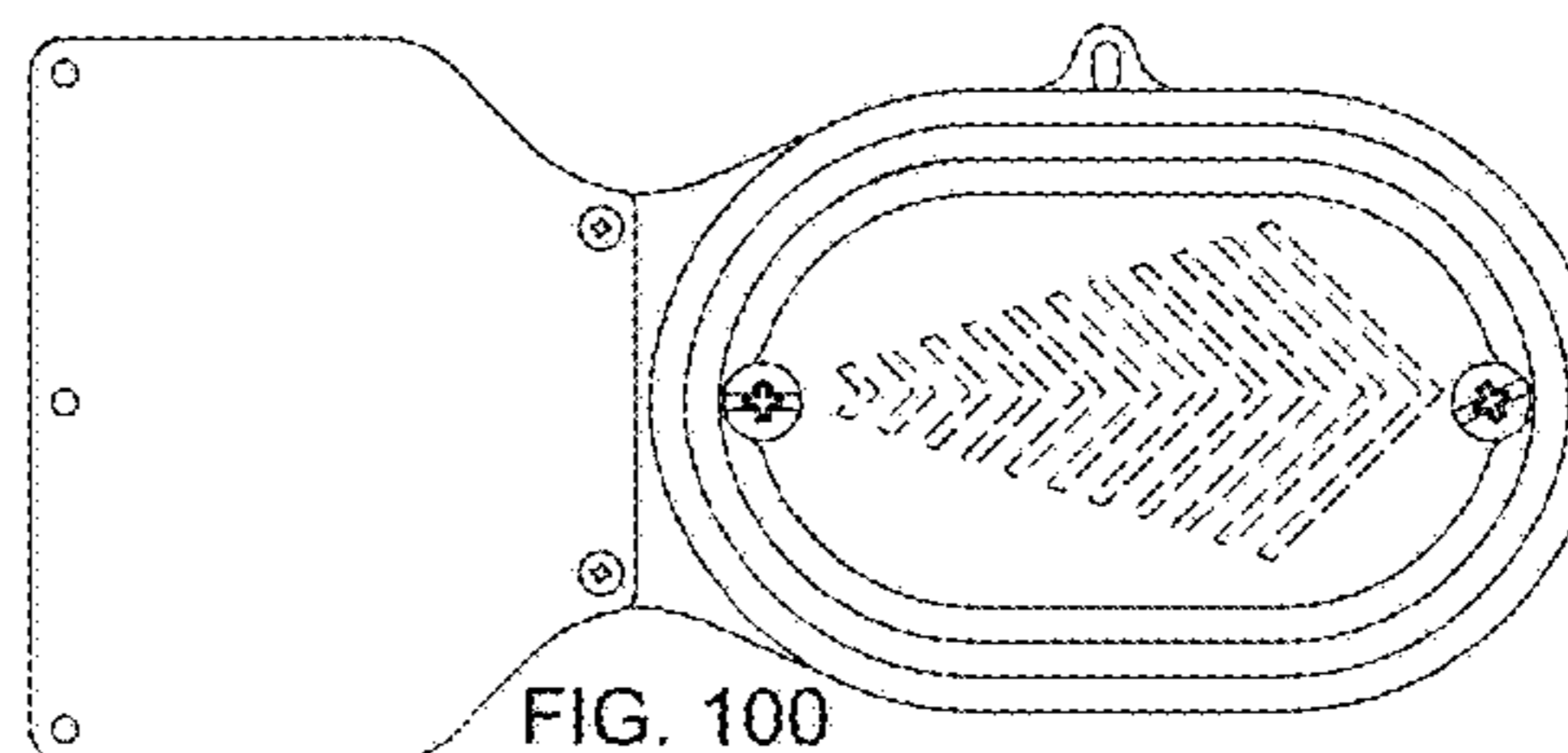
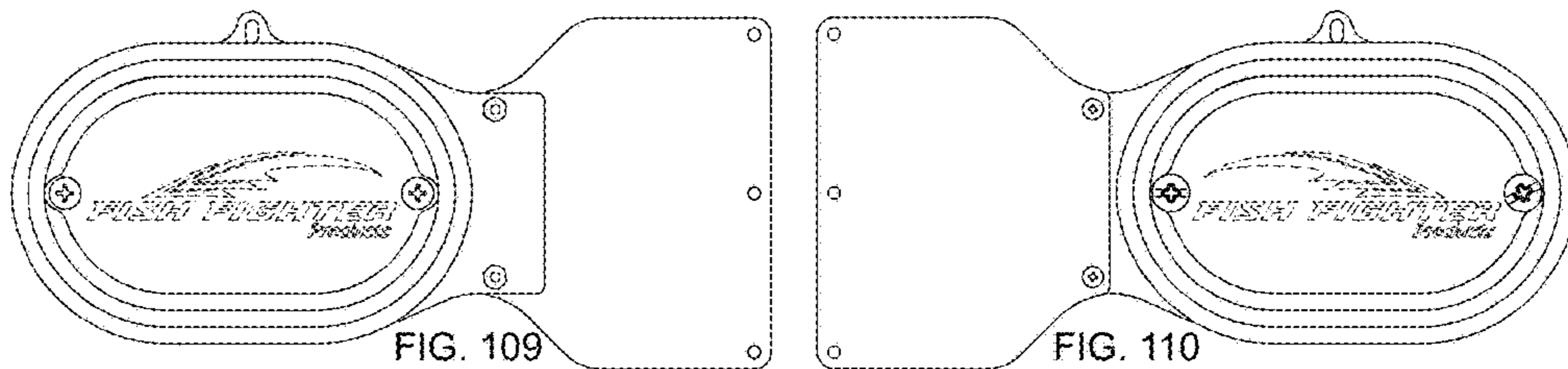
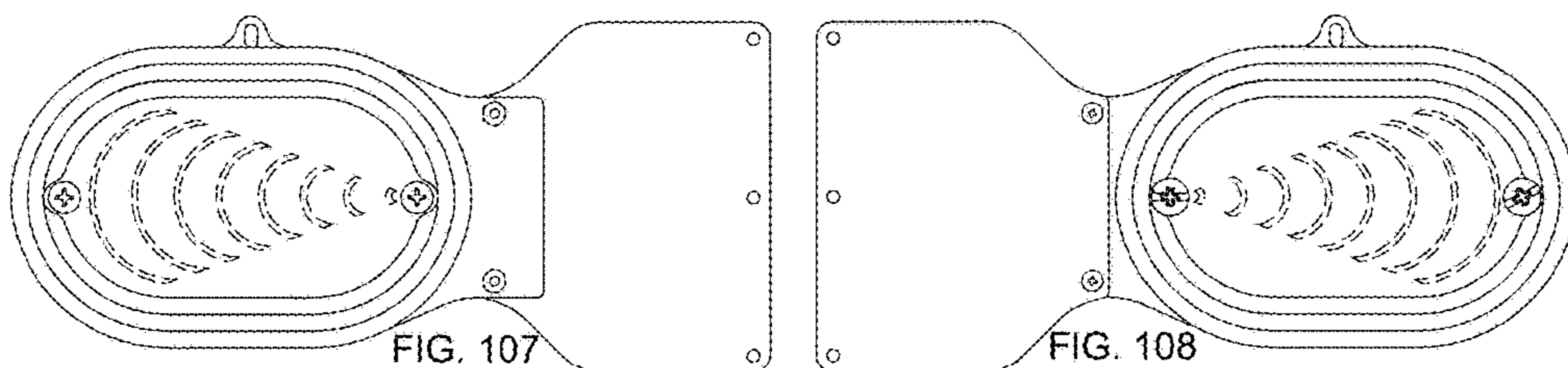
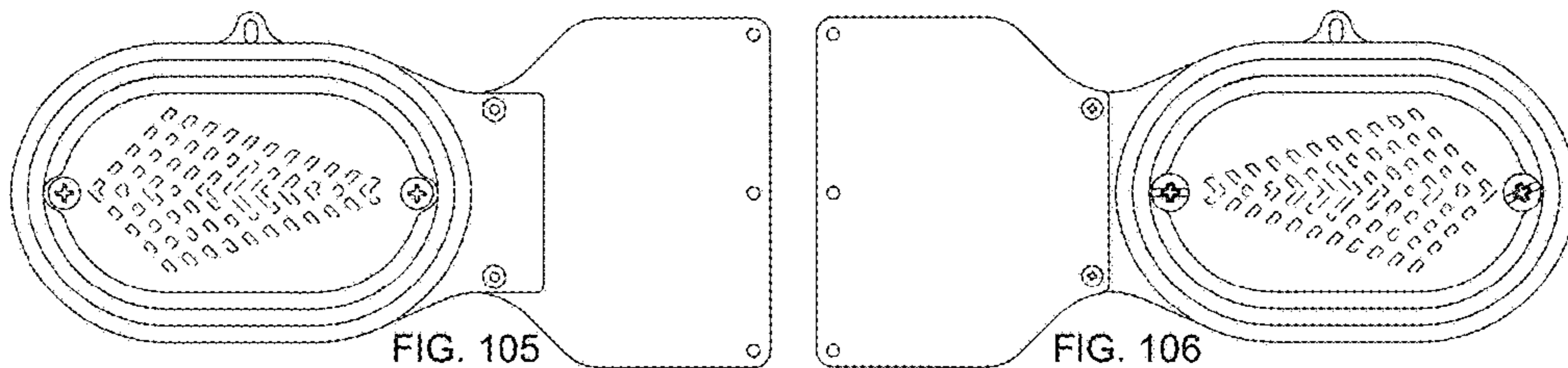
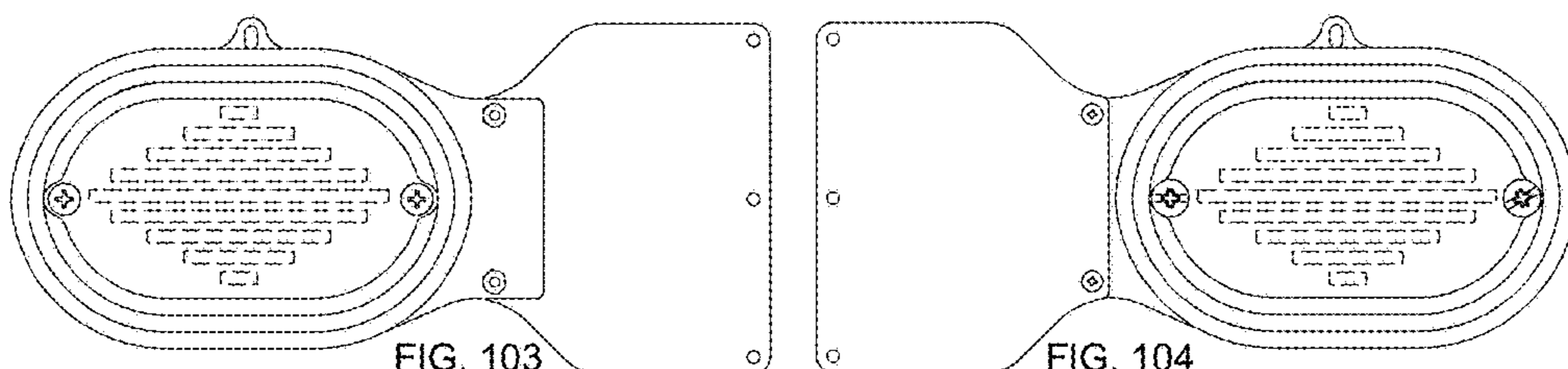
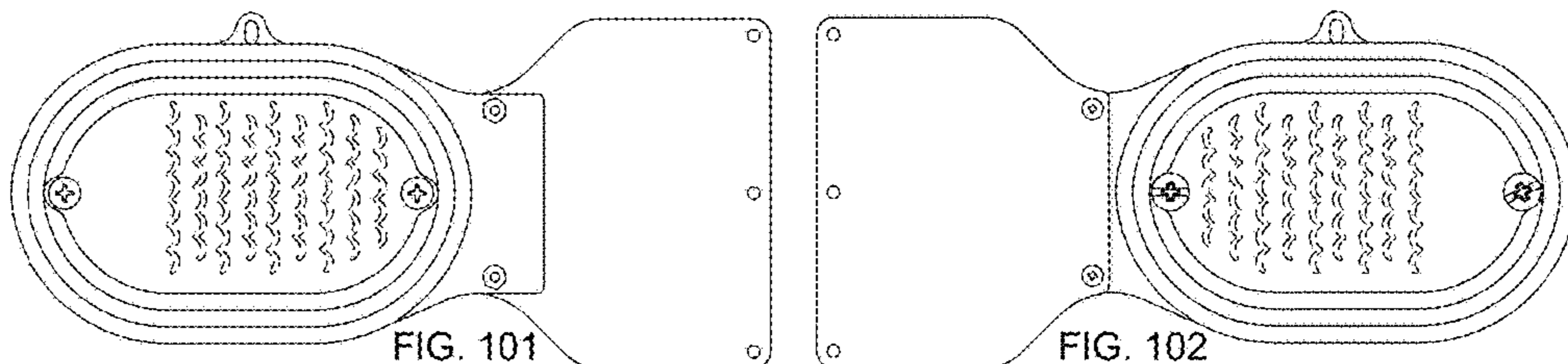


FIG. 100



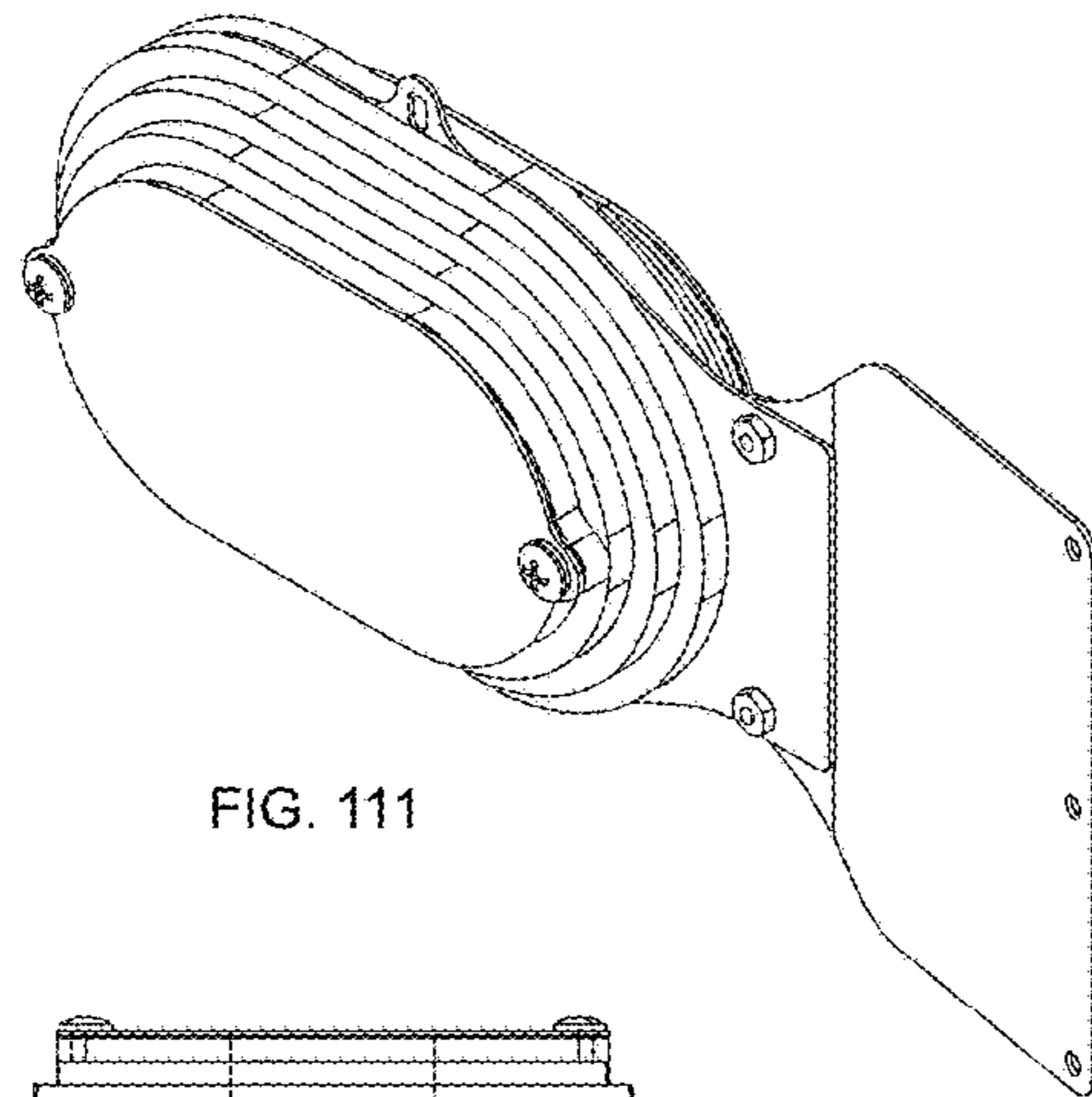


FIG. 111

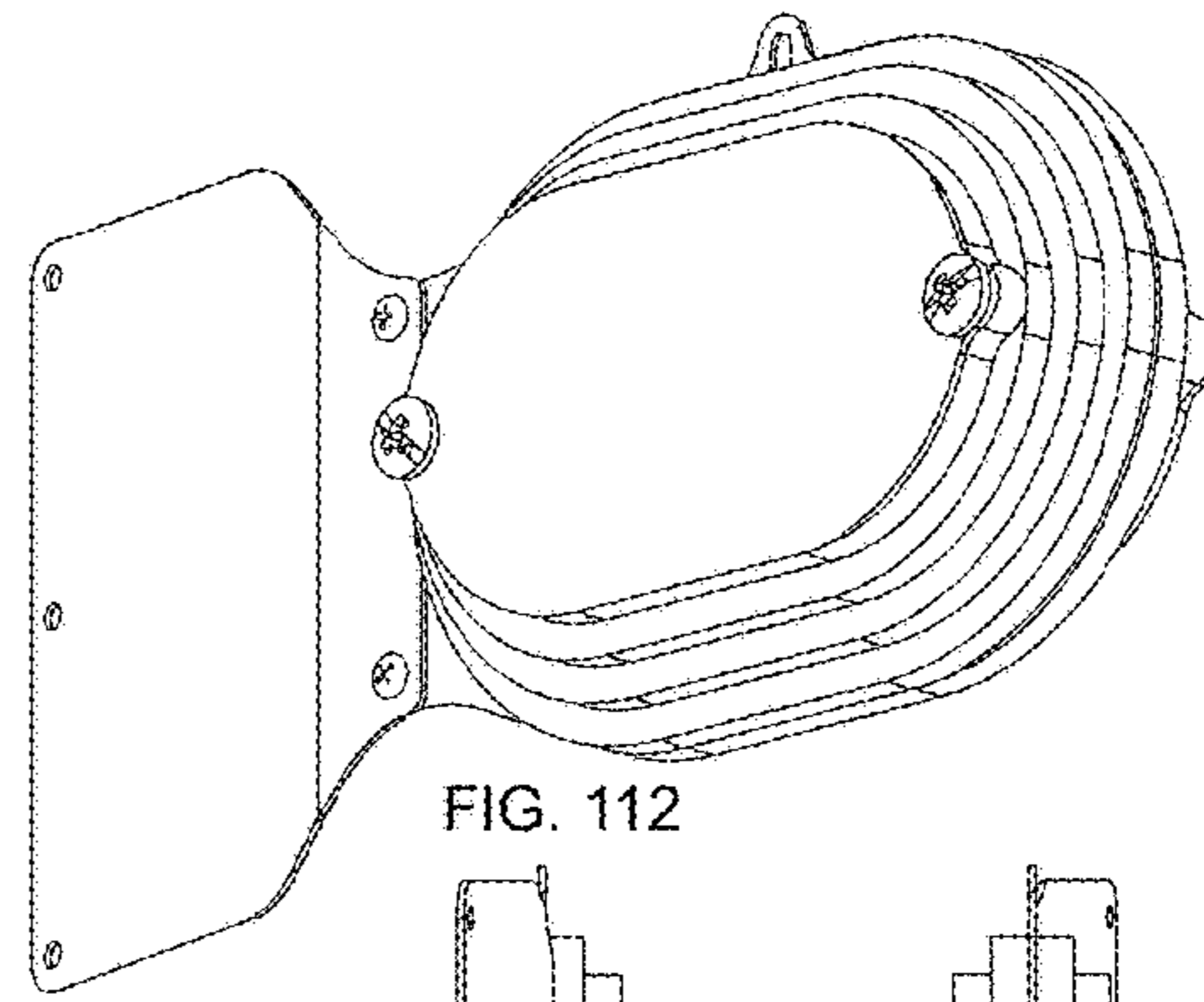


FIG. 112

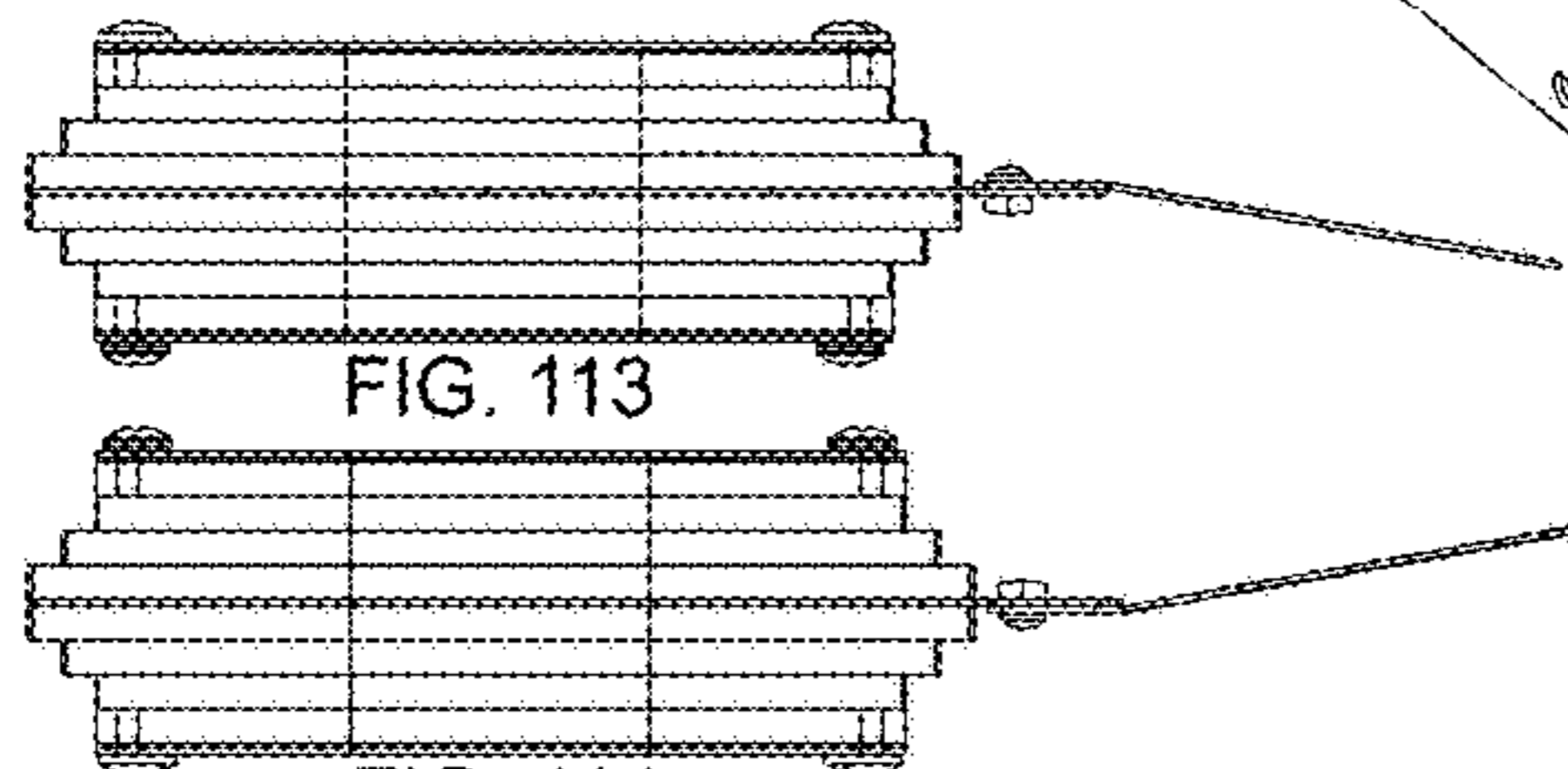


FIG. 113

FIG. 114

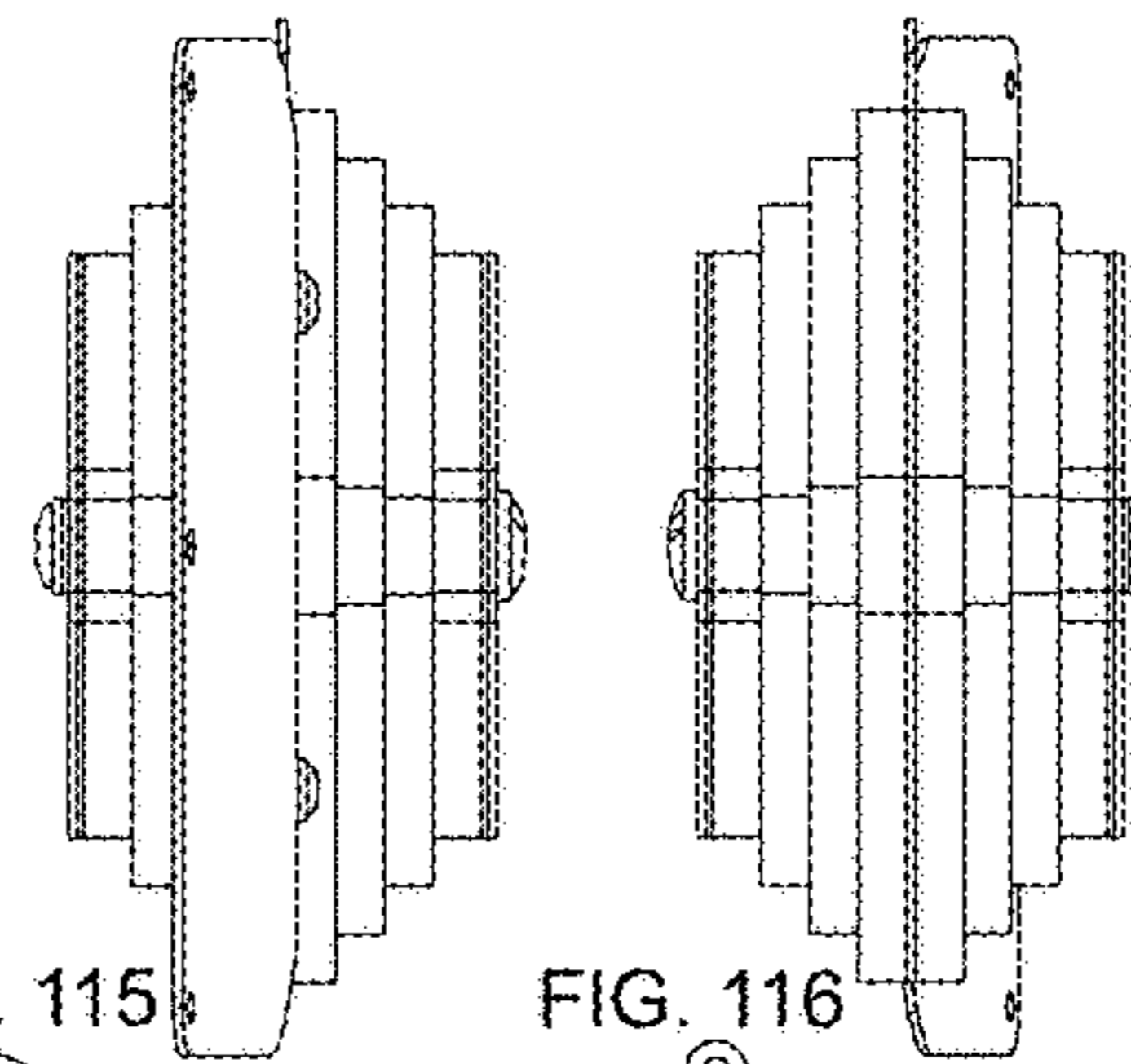


FIG. 115

FIG. 116

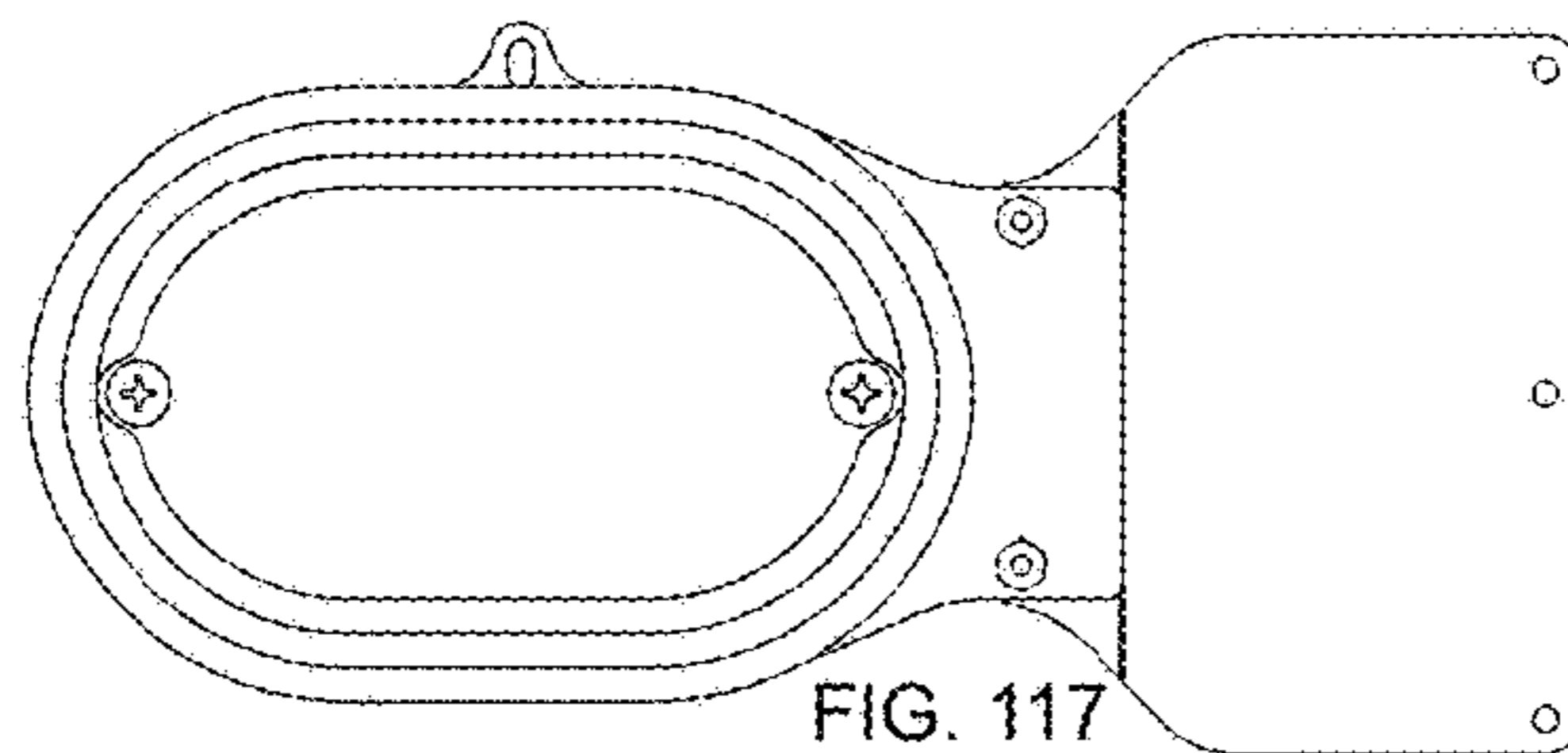


FIG. 117

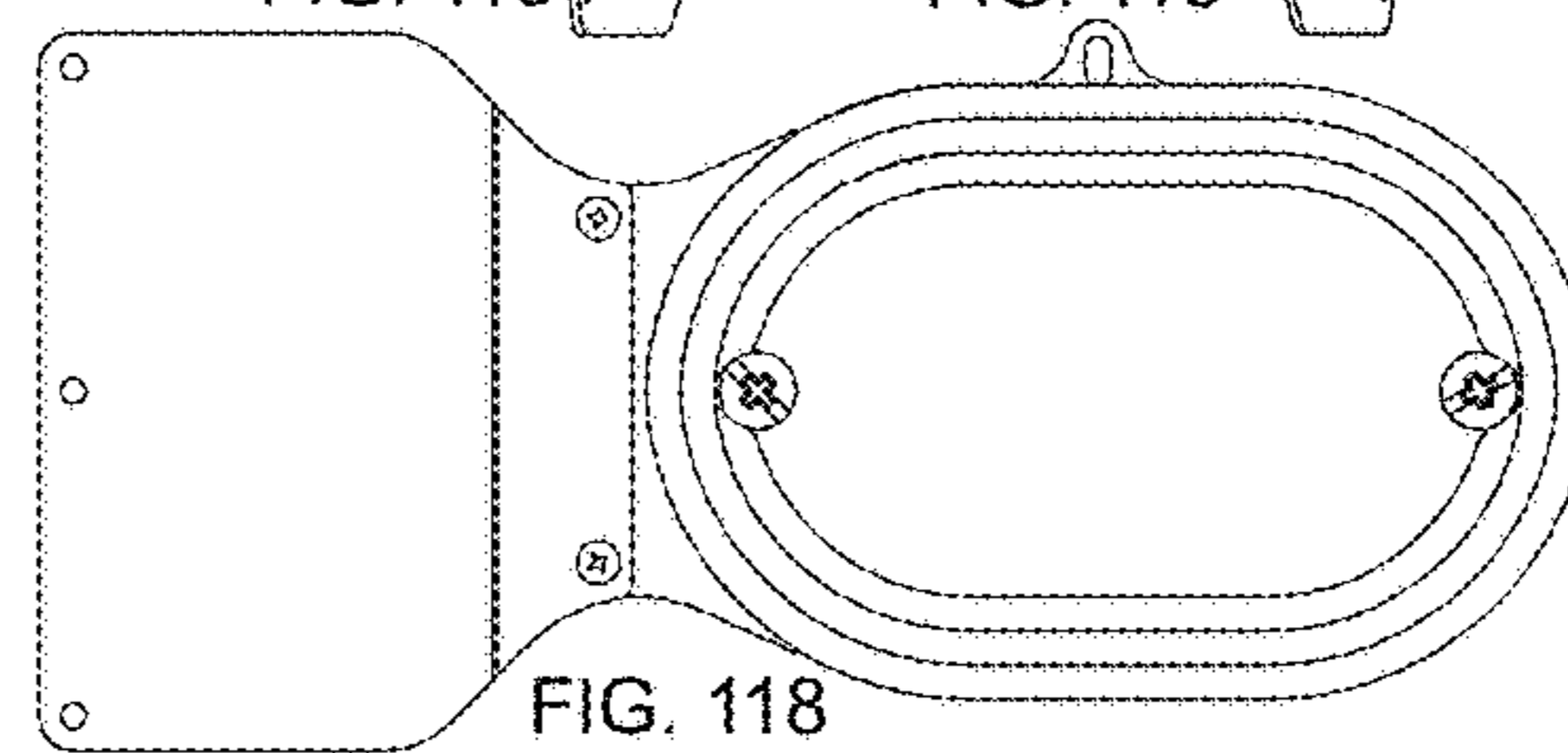


FIG. 118

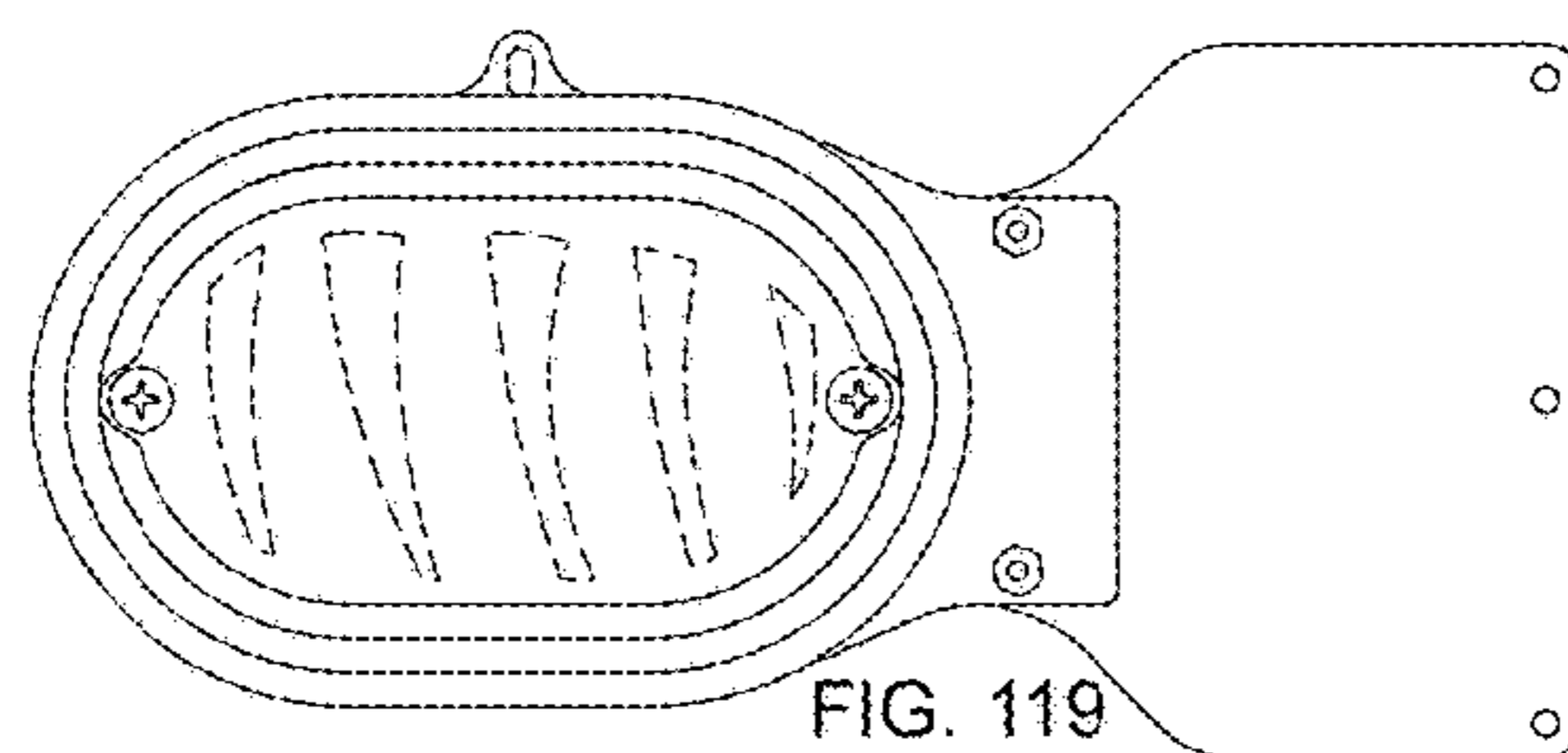


FIG. 119

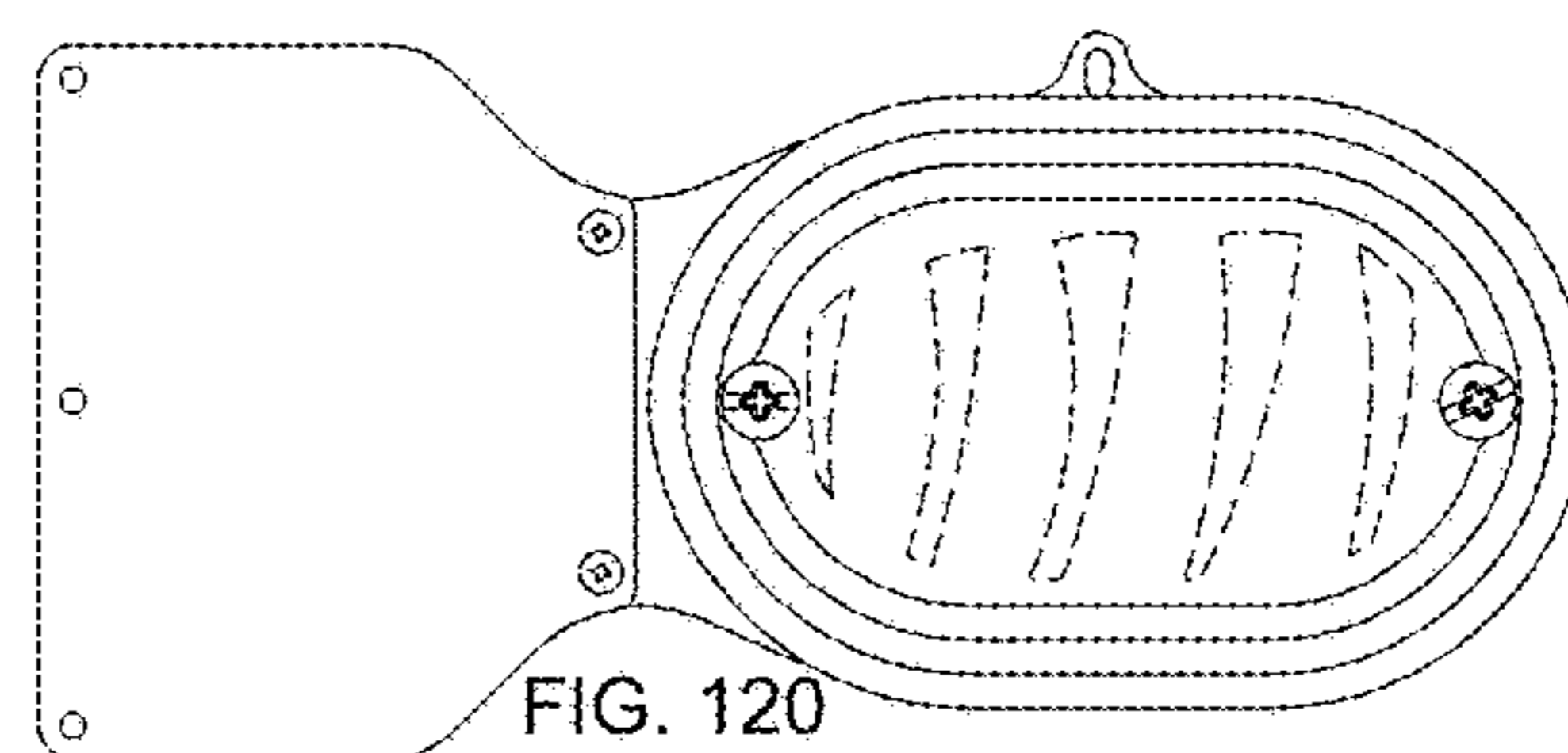


FIG. 120

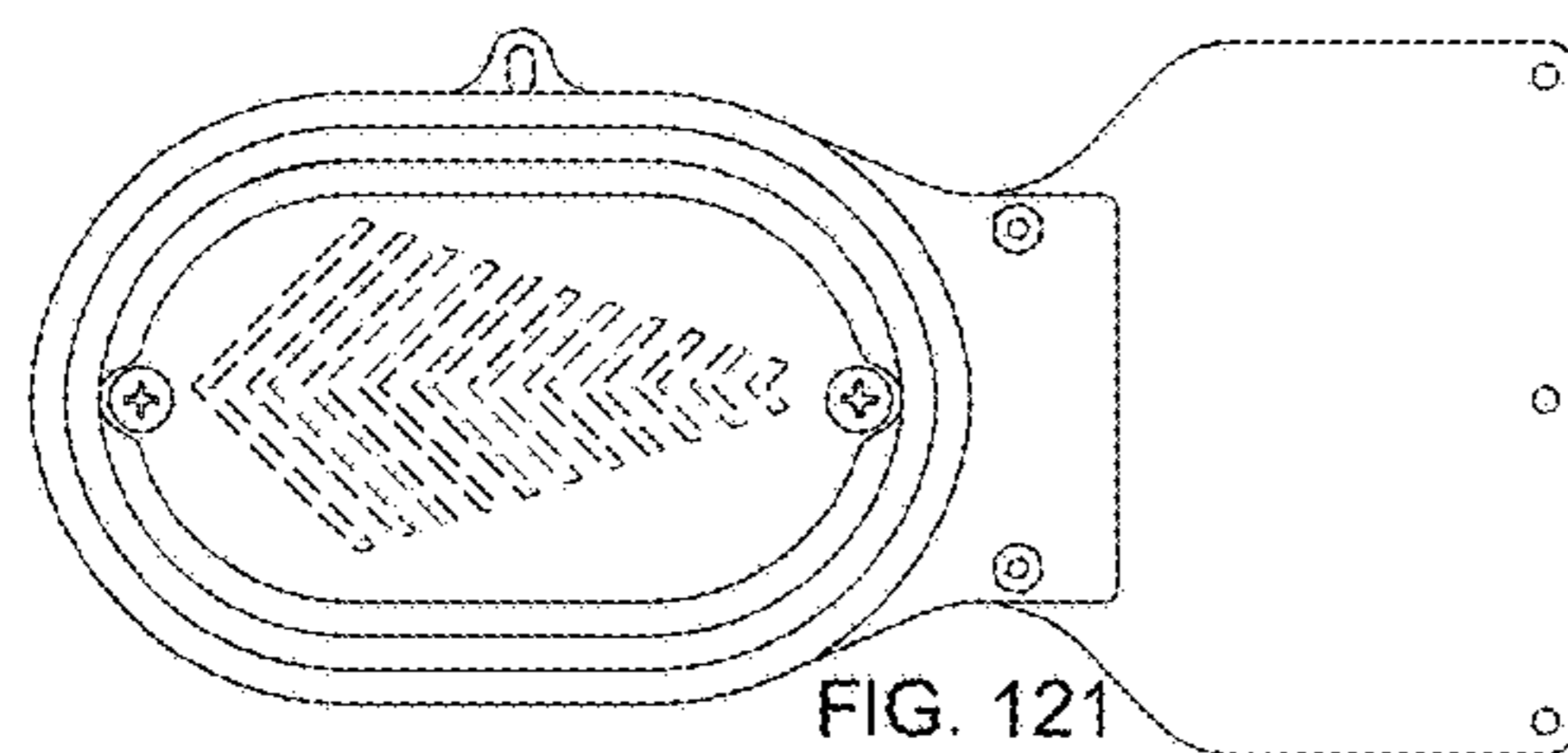


FIG. 121

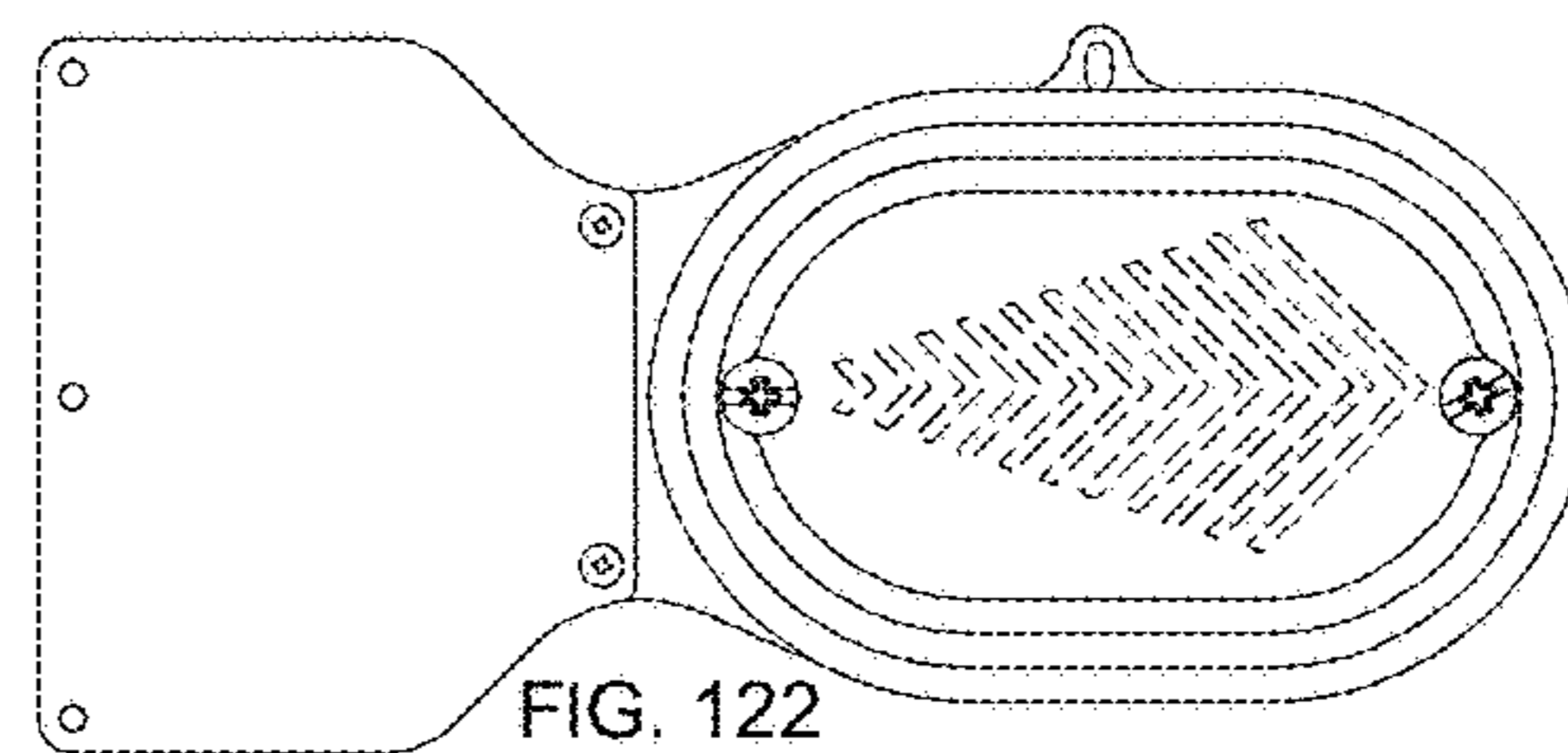
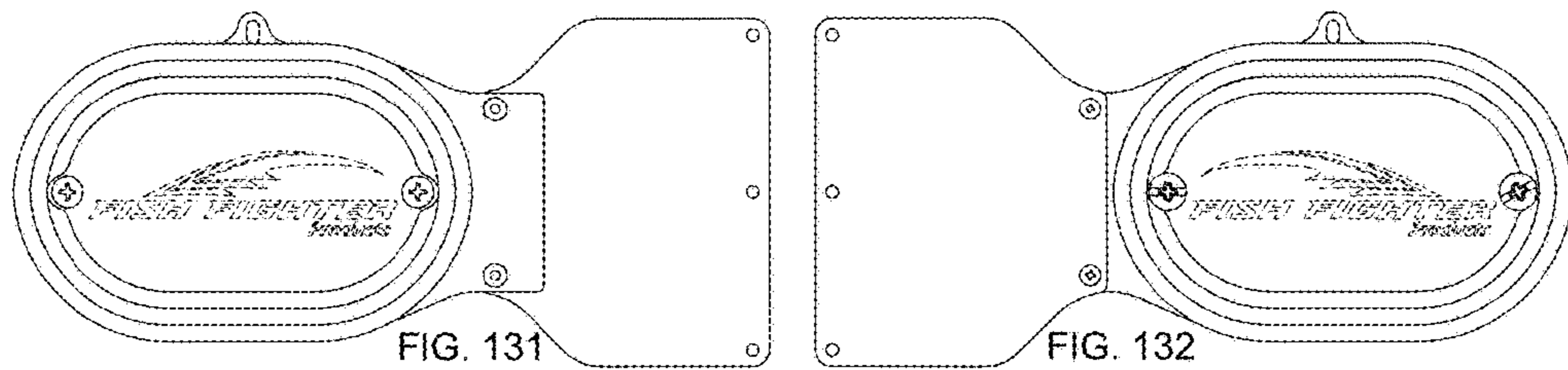
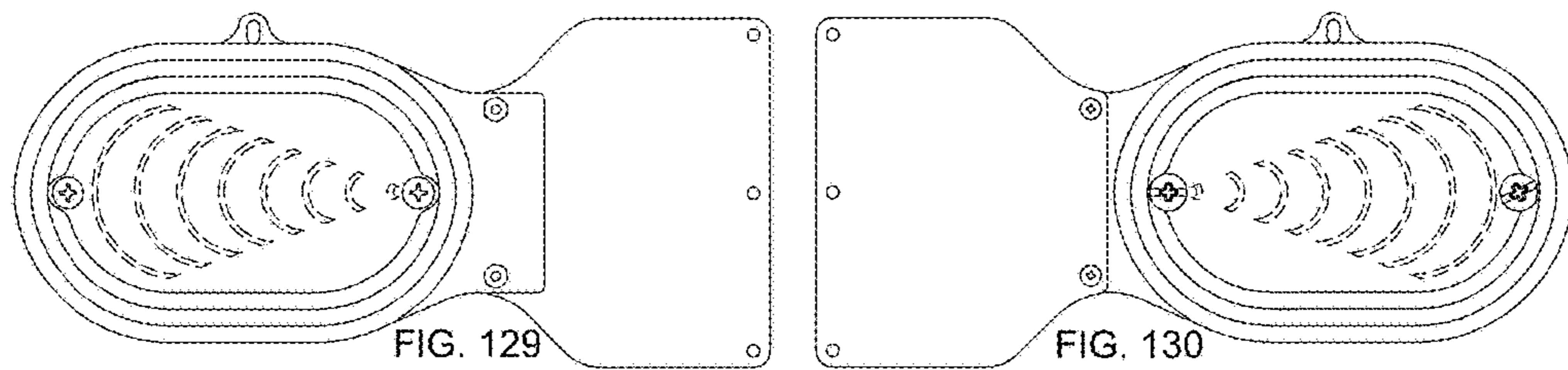
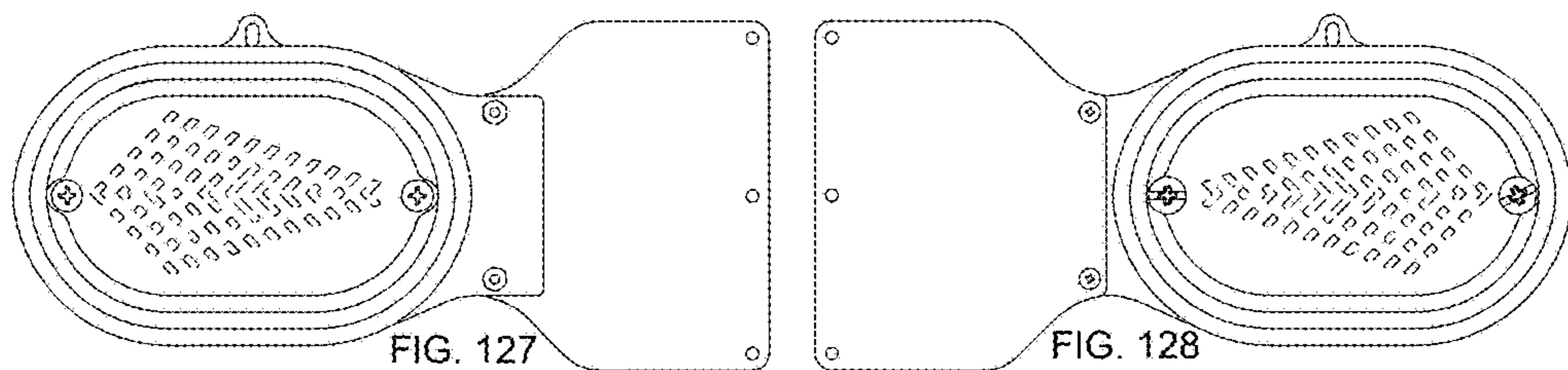
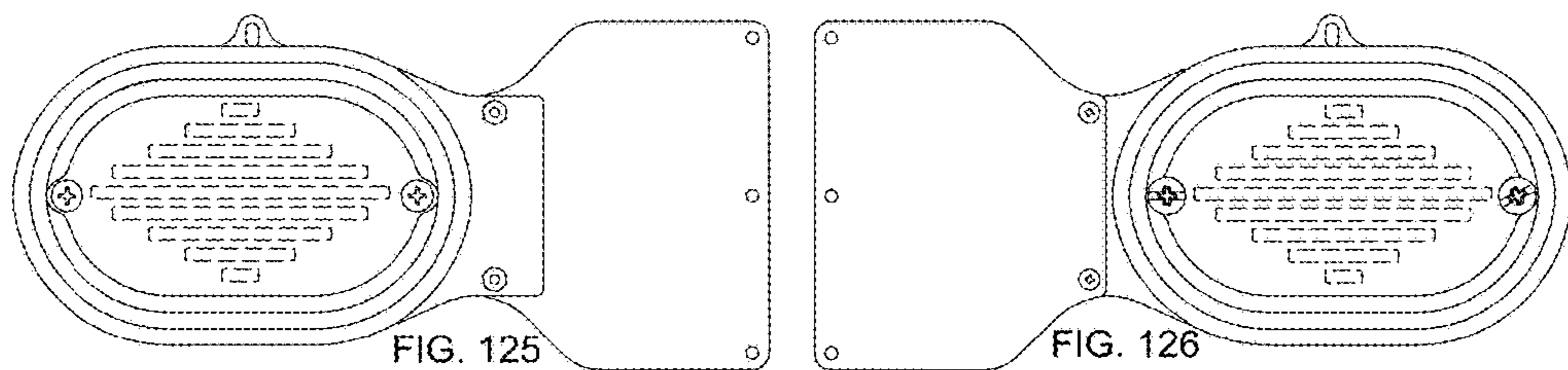
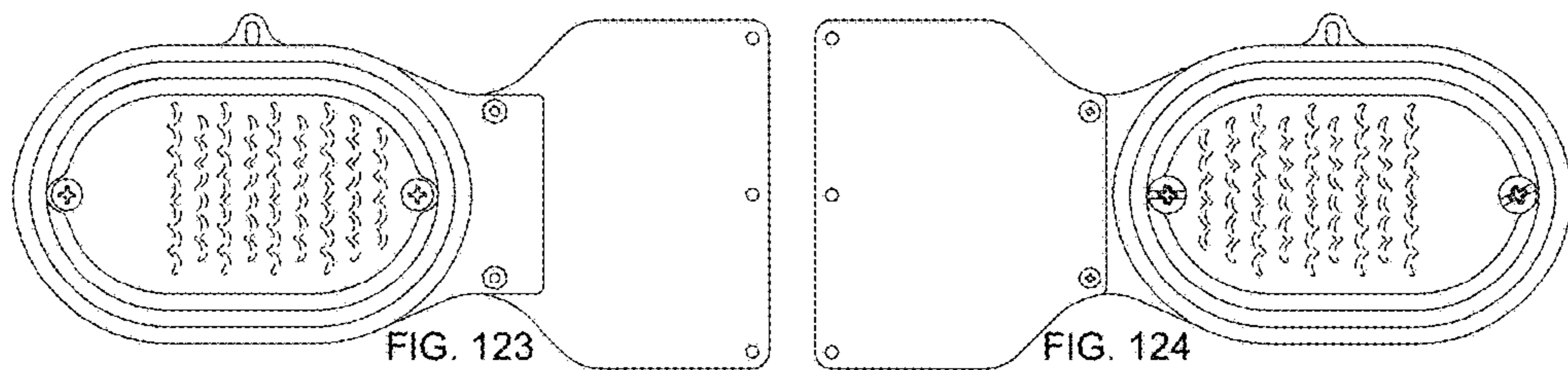


FIG. 122



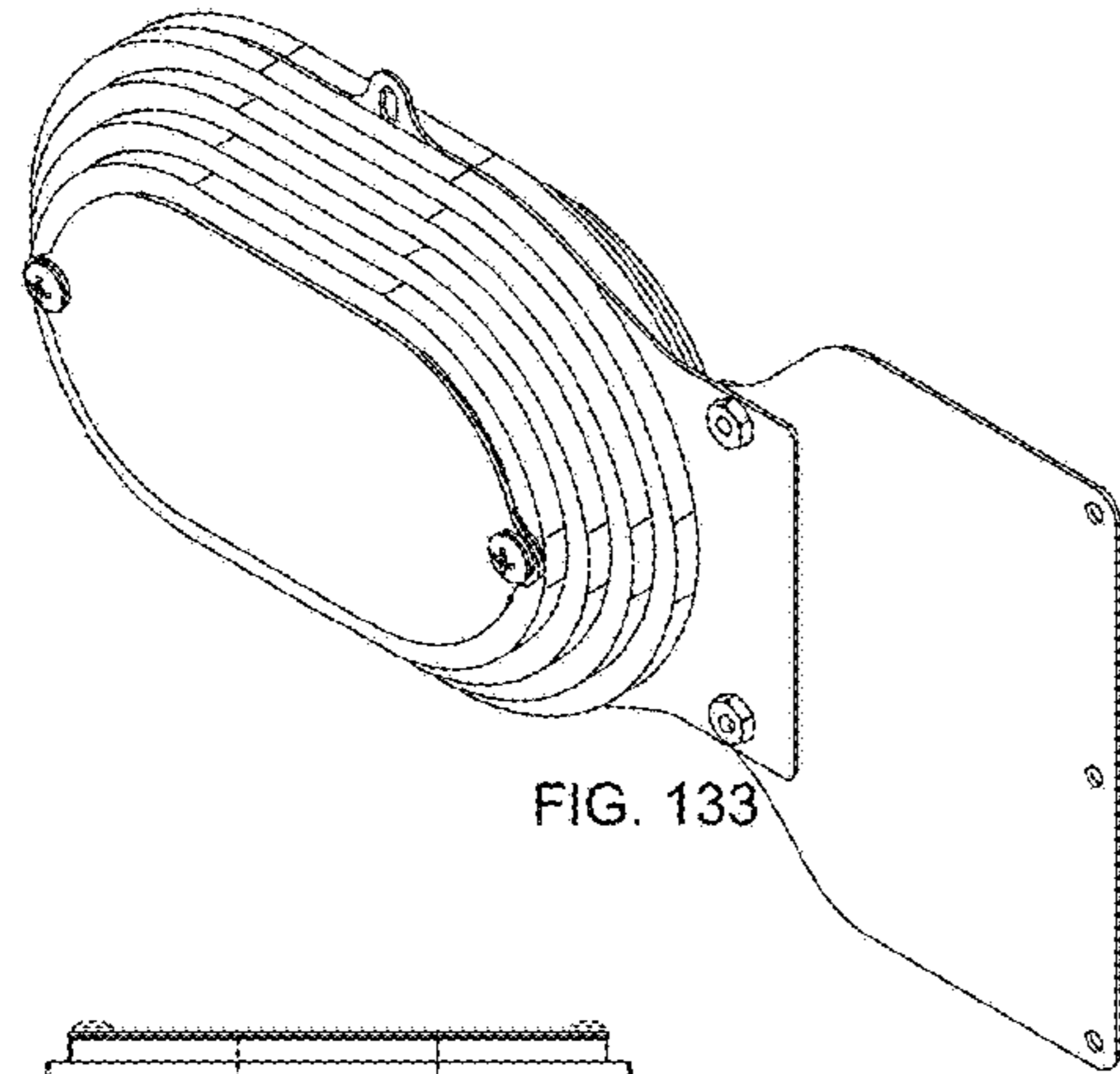


FIG. 133

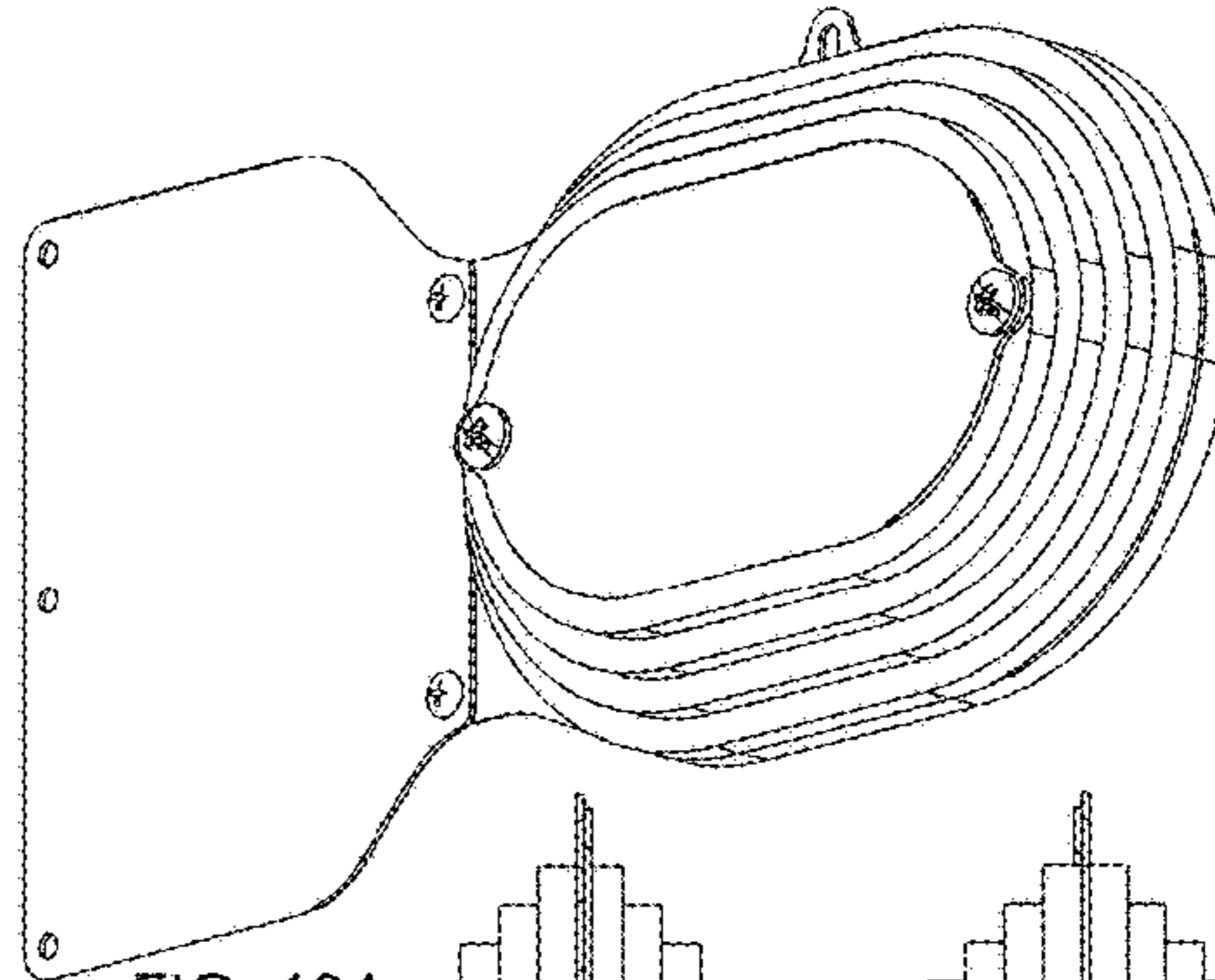


FIG. 134

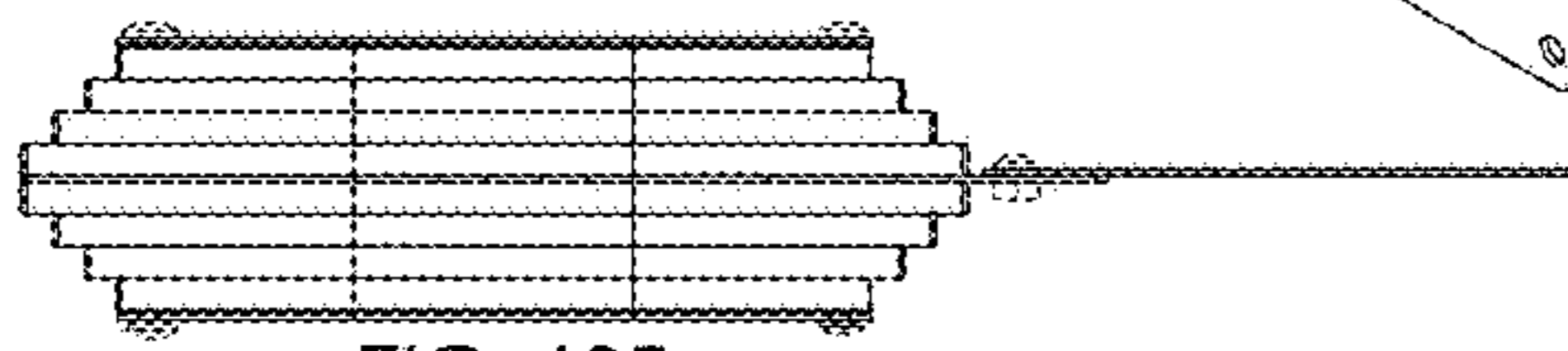


FIG. 135

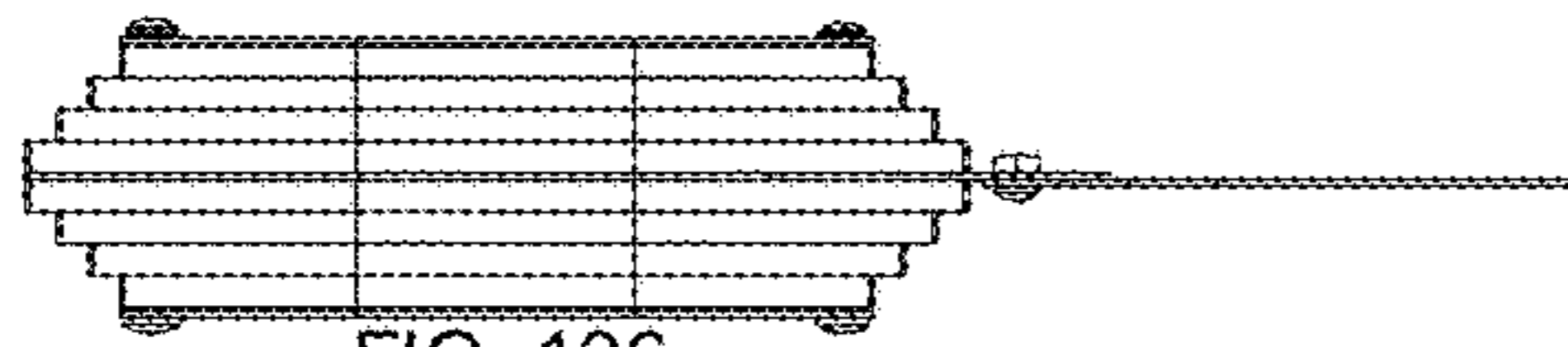


FIG. 136

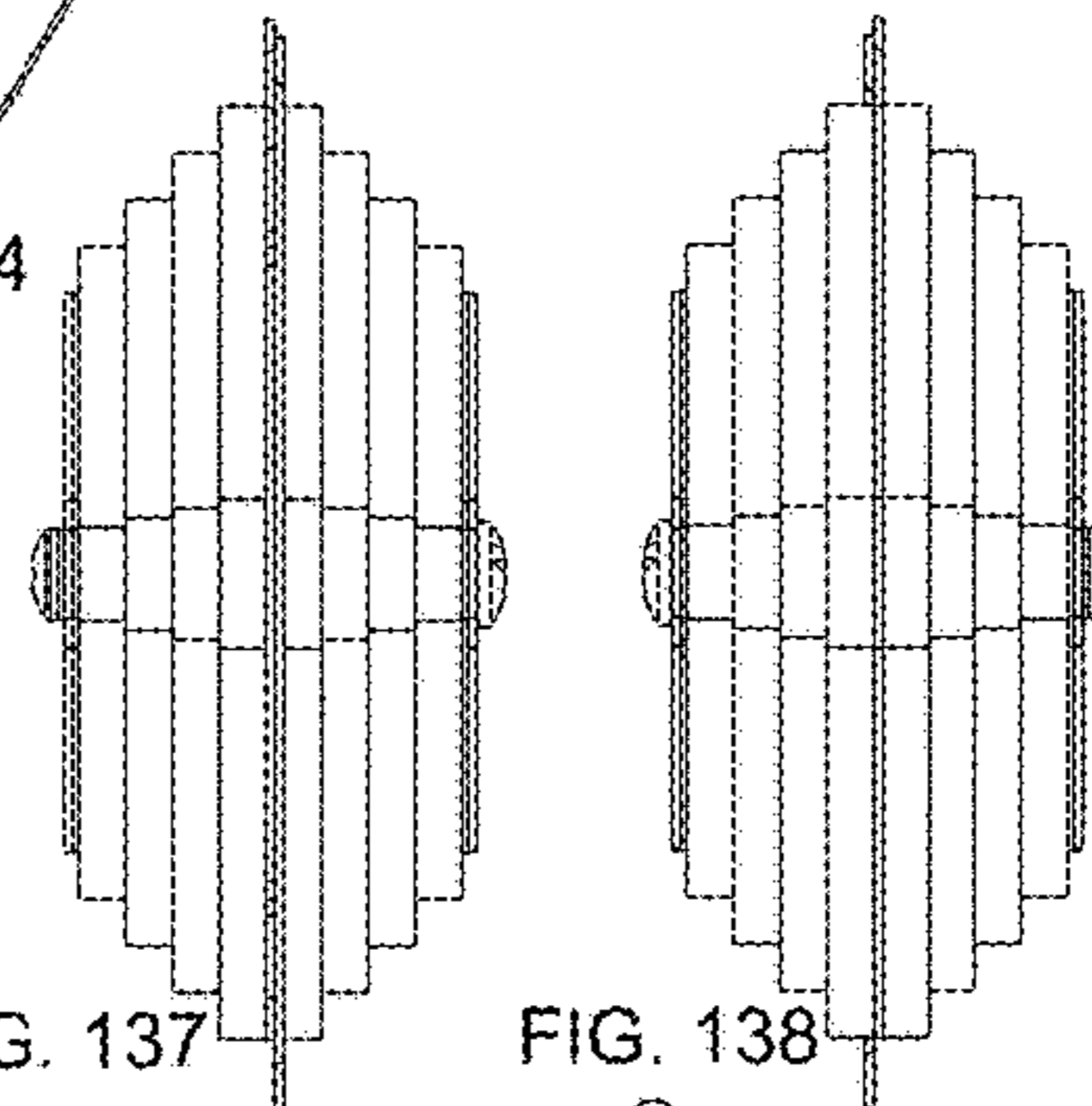


FIG. 137

FIG. 138

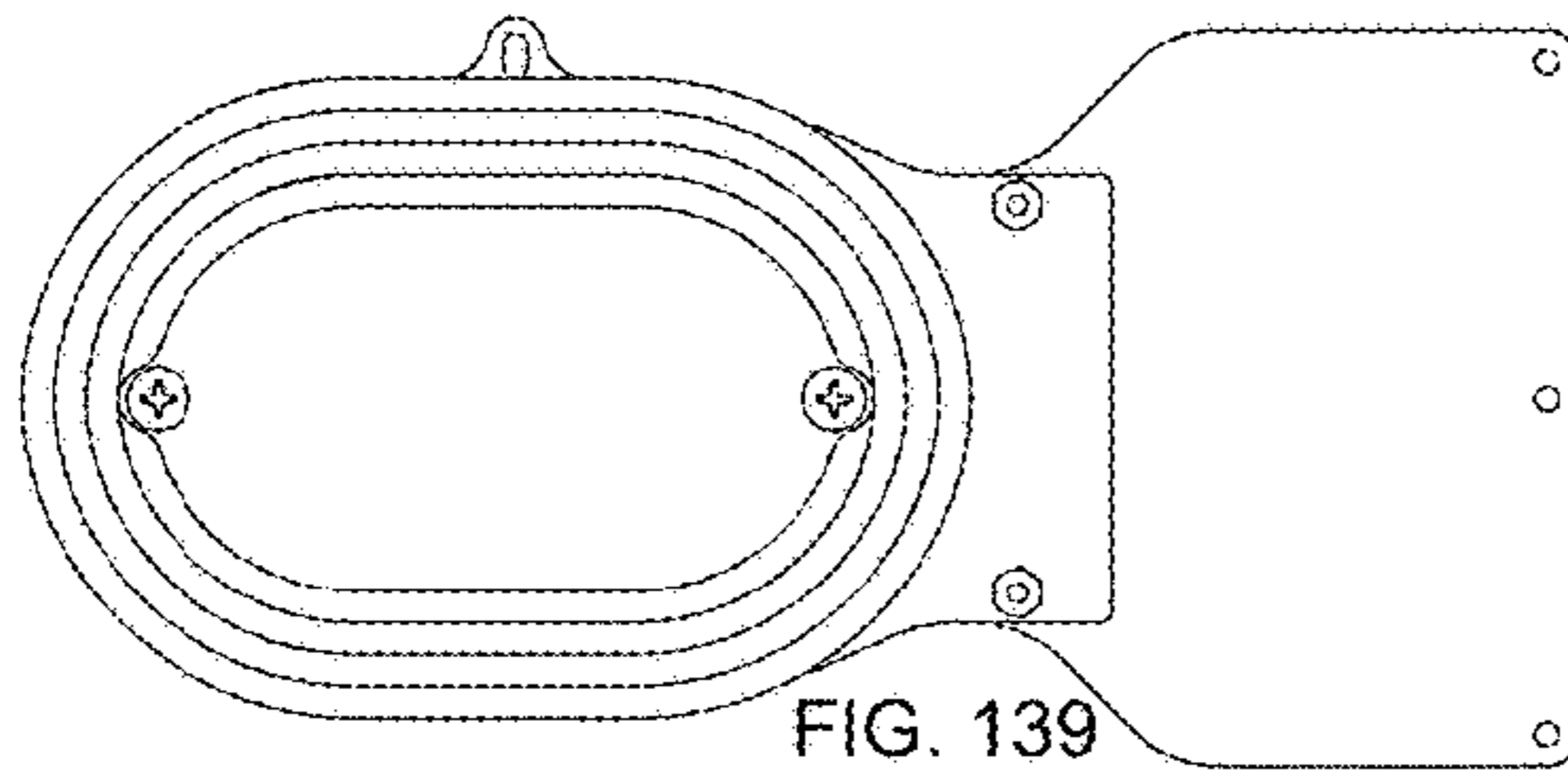


FIG. 139

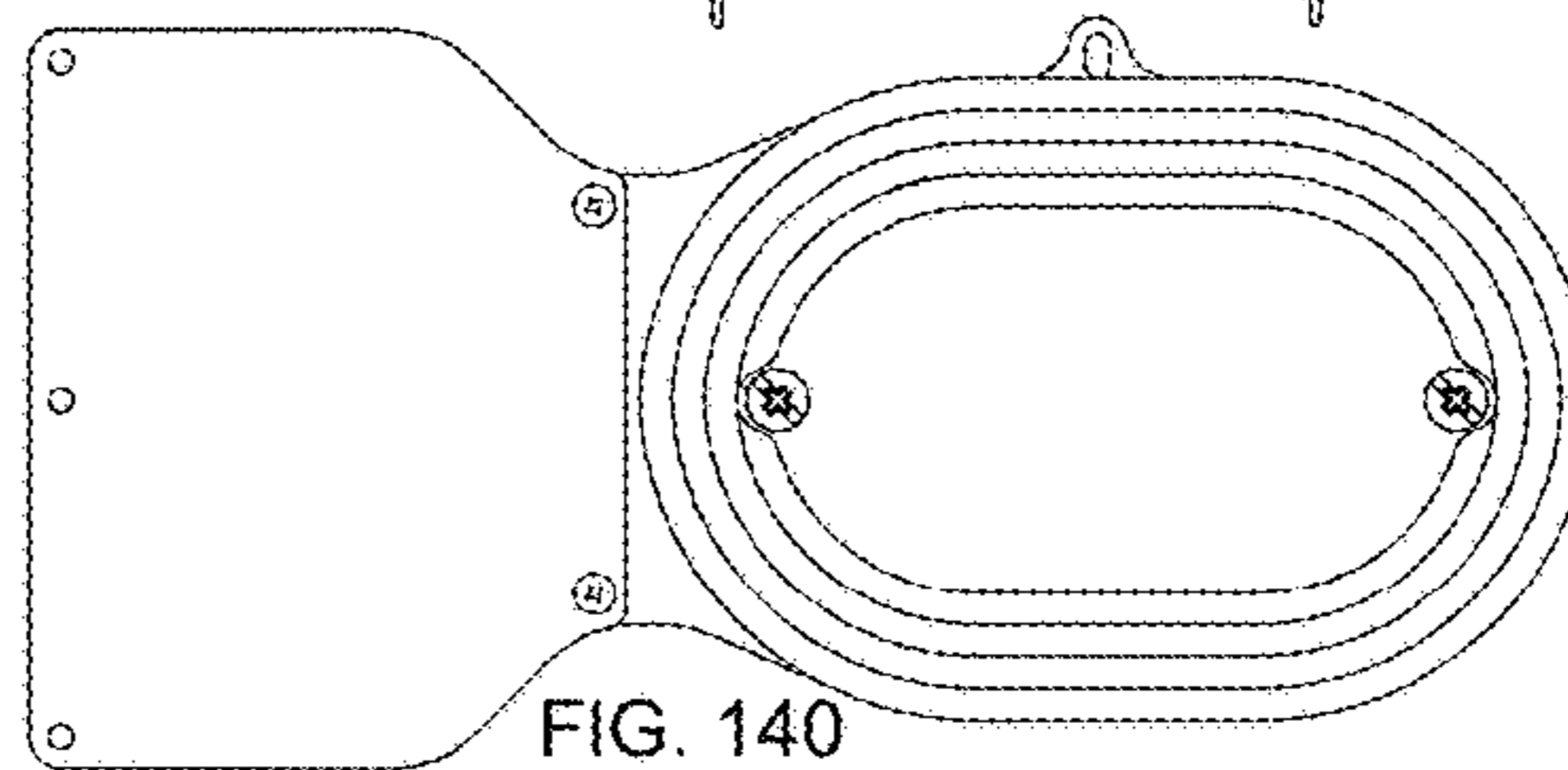


FIG. 140

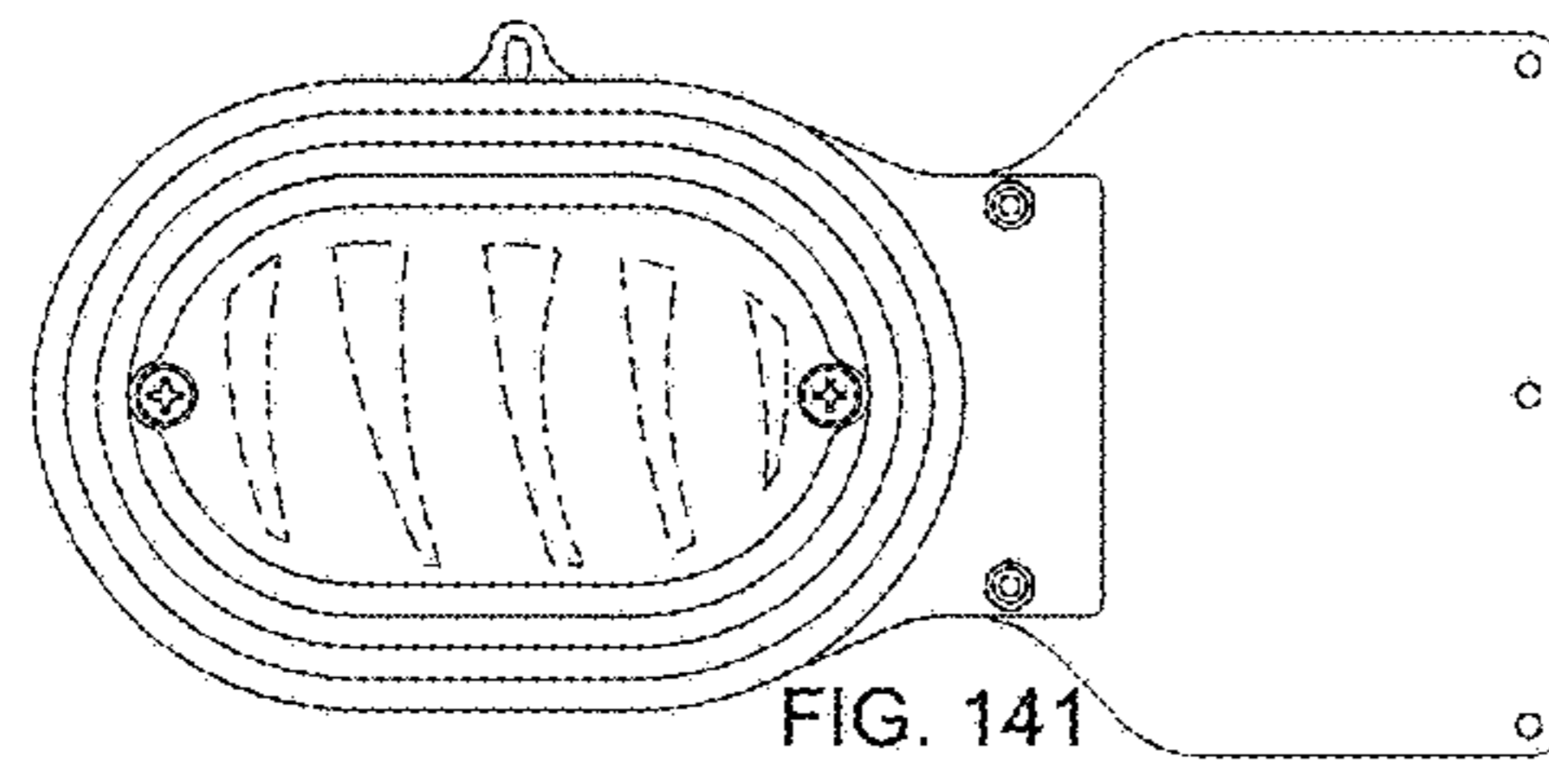


FIG. 141

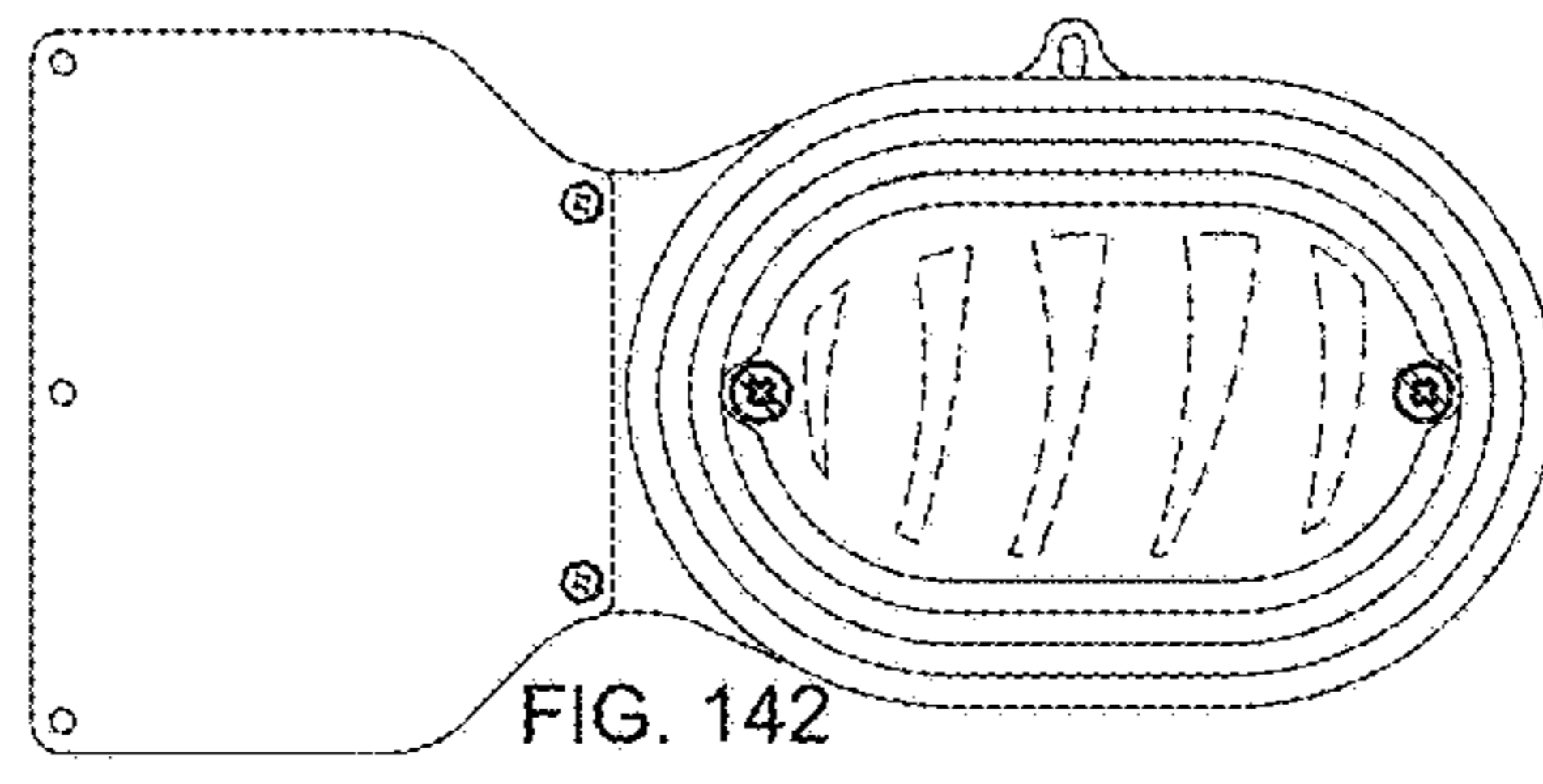


FIG. 142

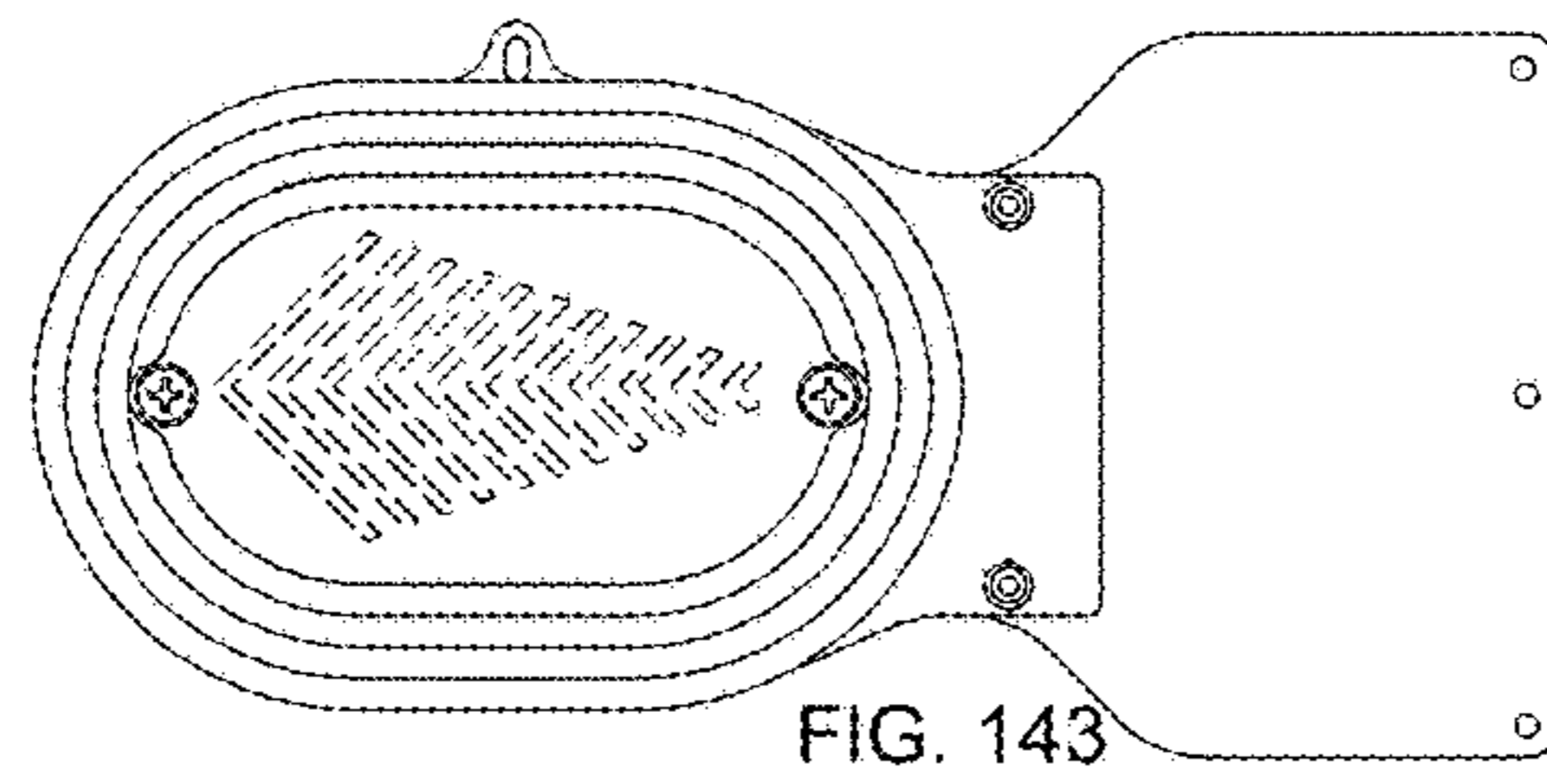


FIG. 143

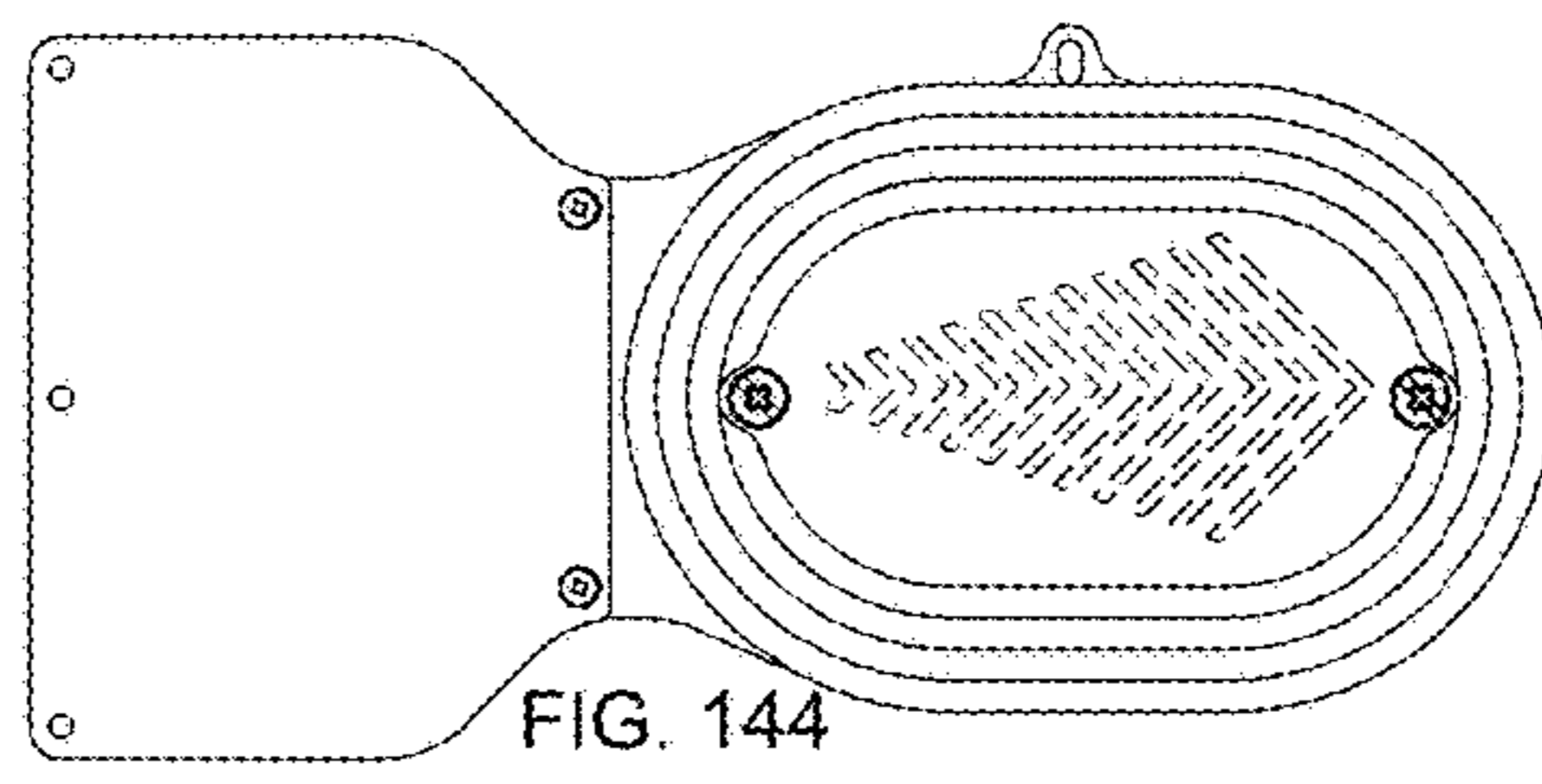
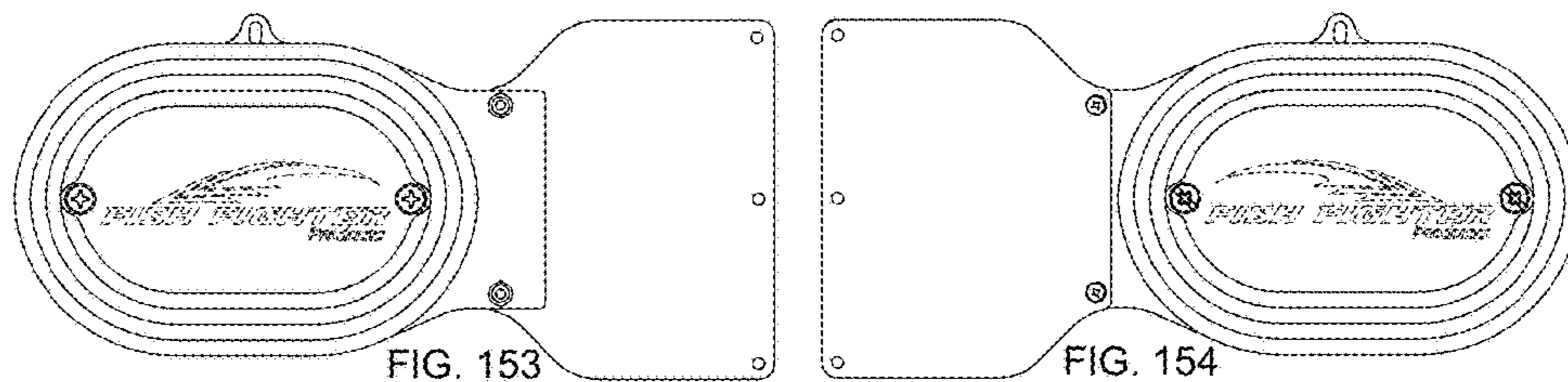
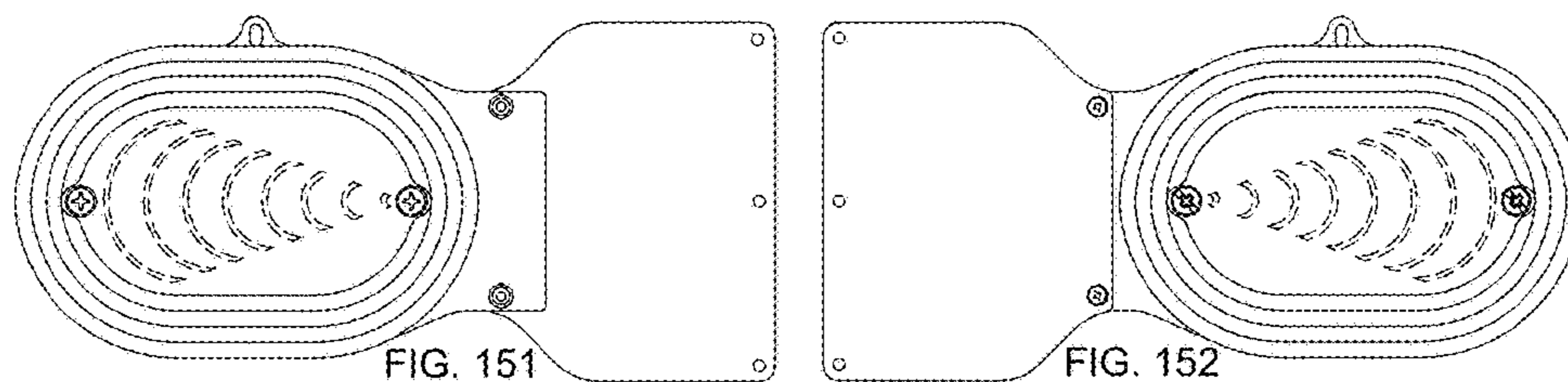
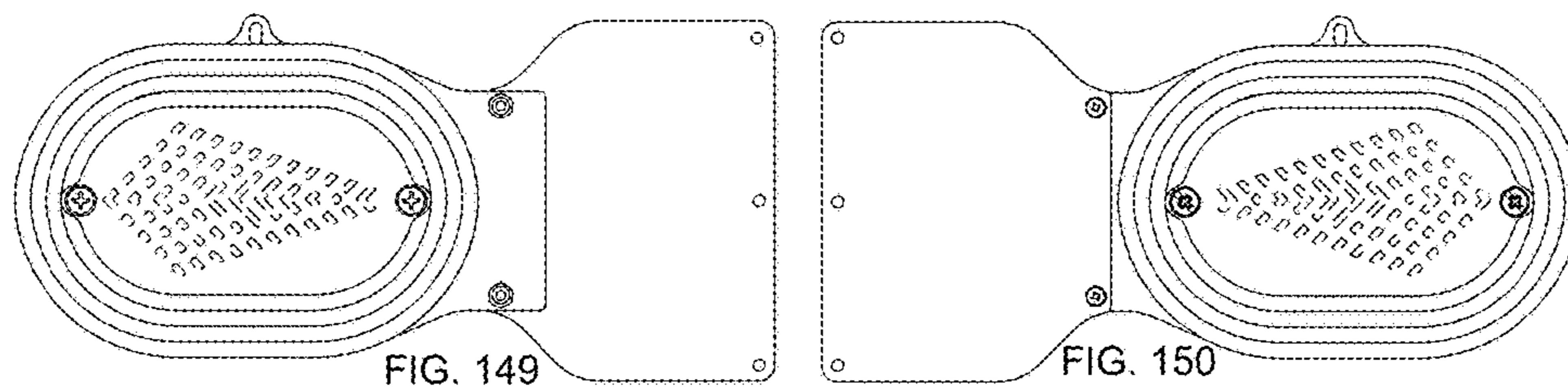
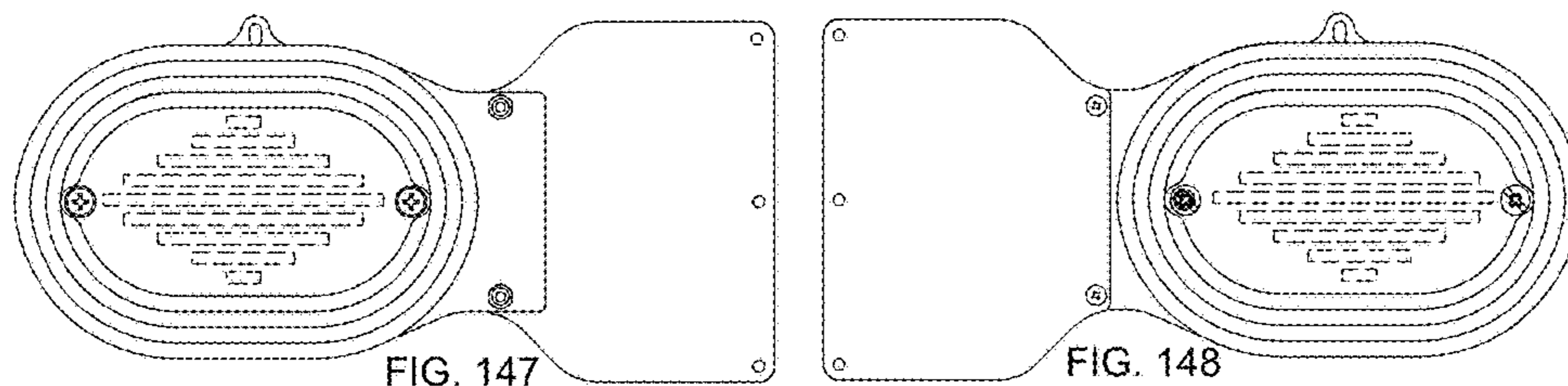
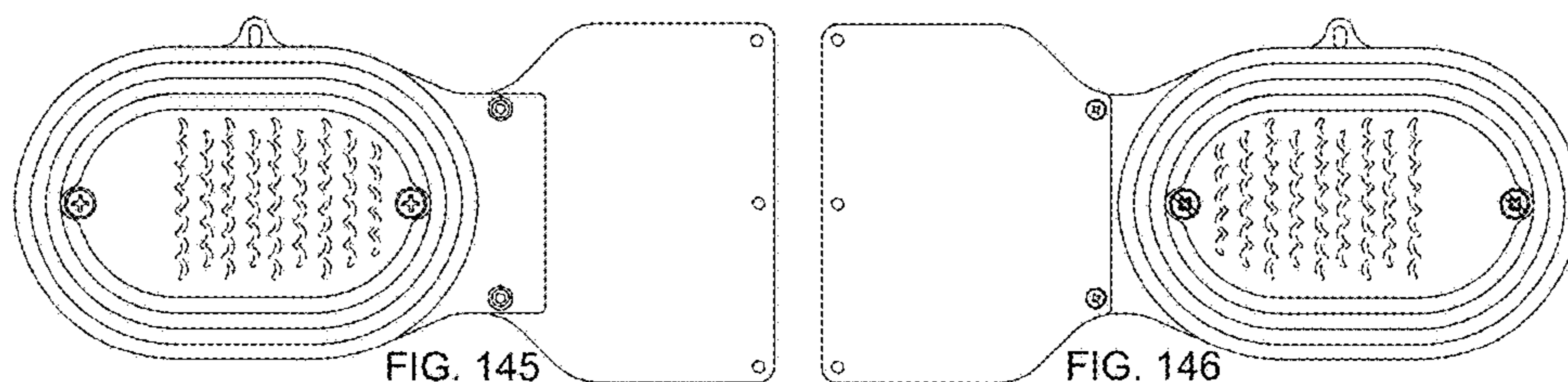


FIG. 144



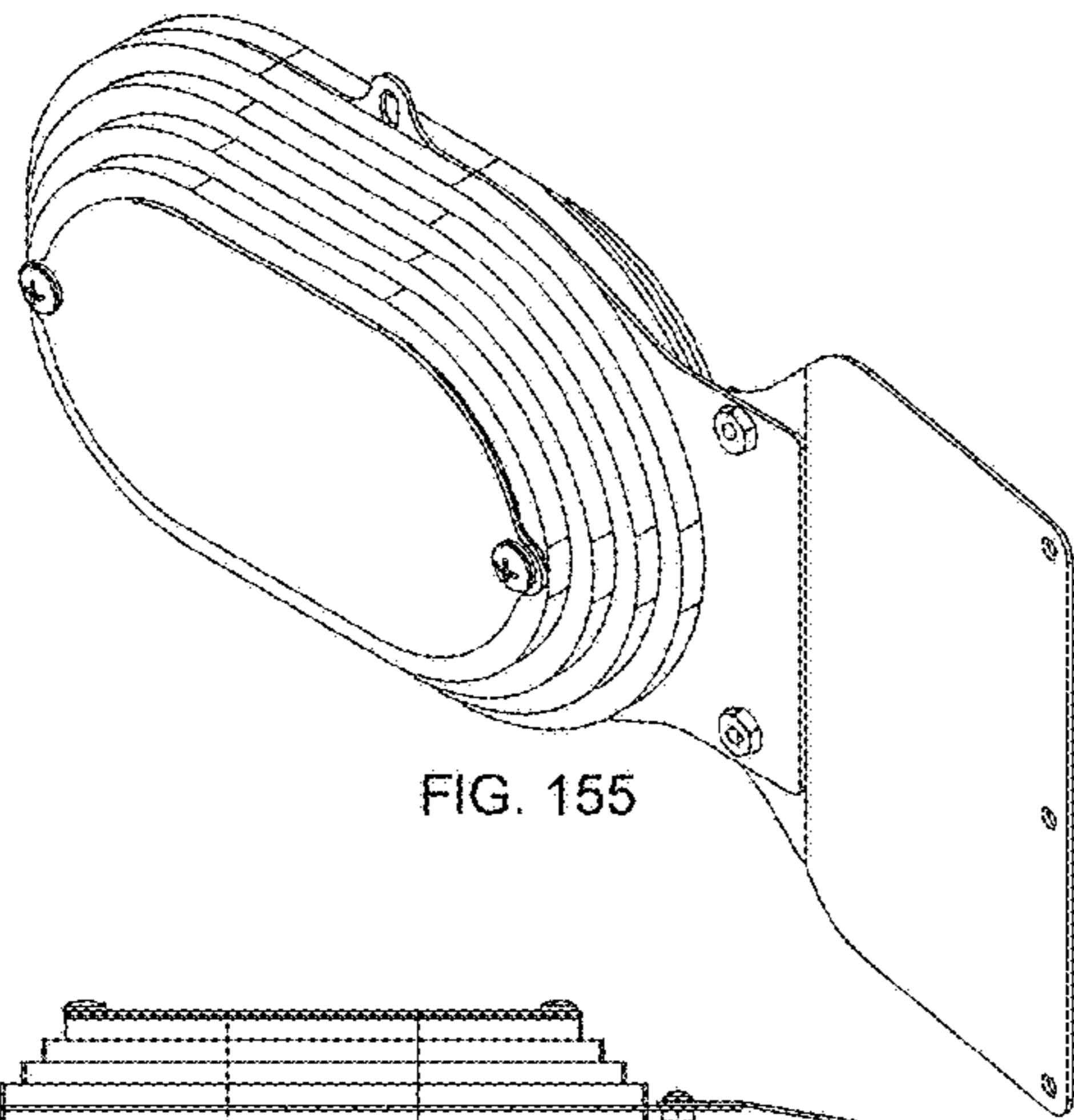


FIG. 155

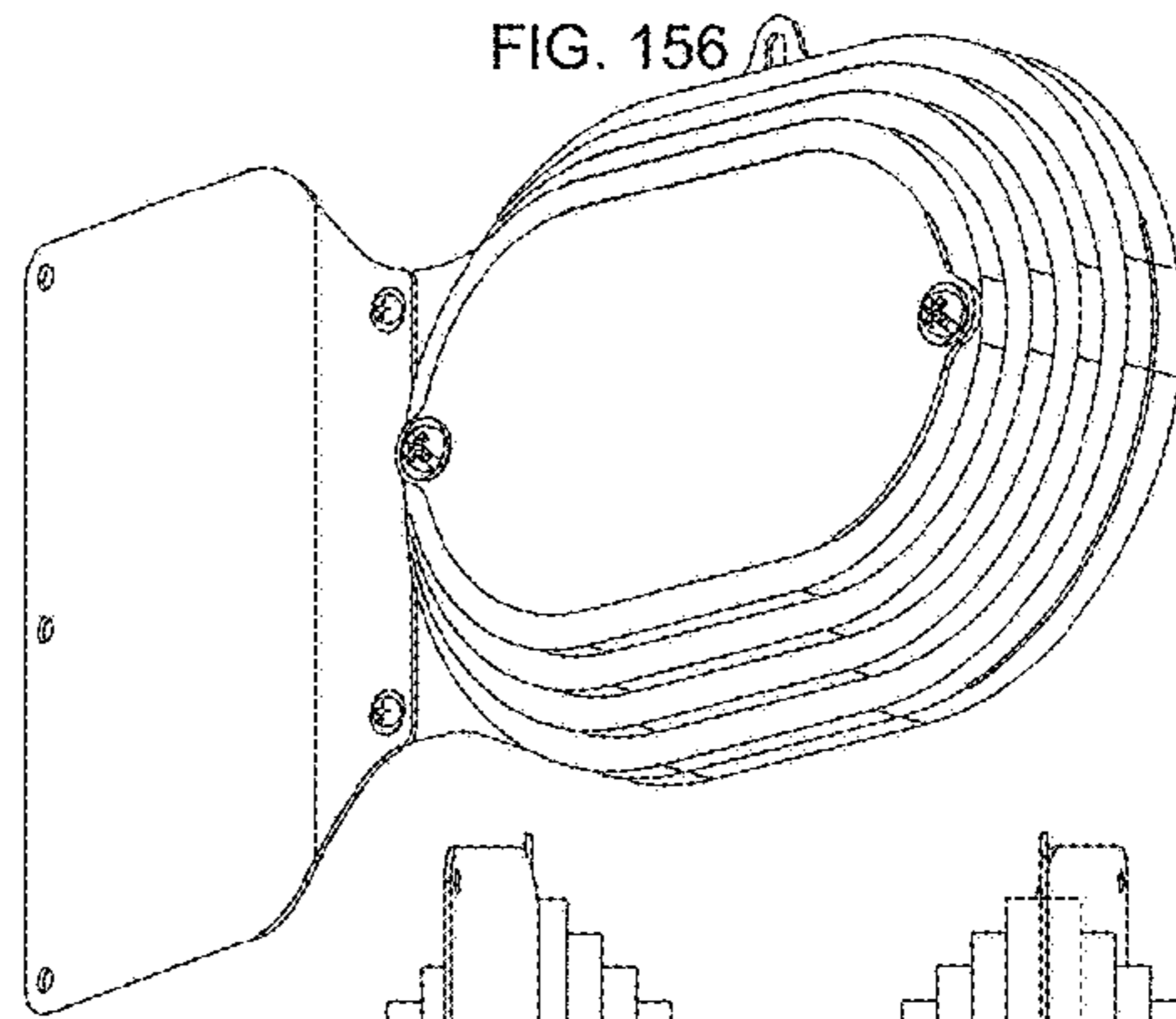


FIG. 156

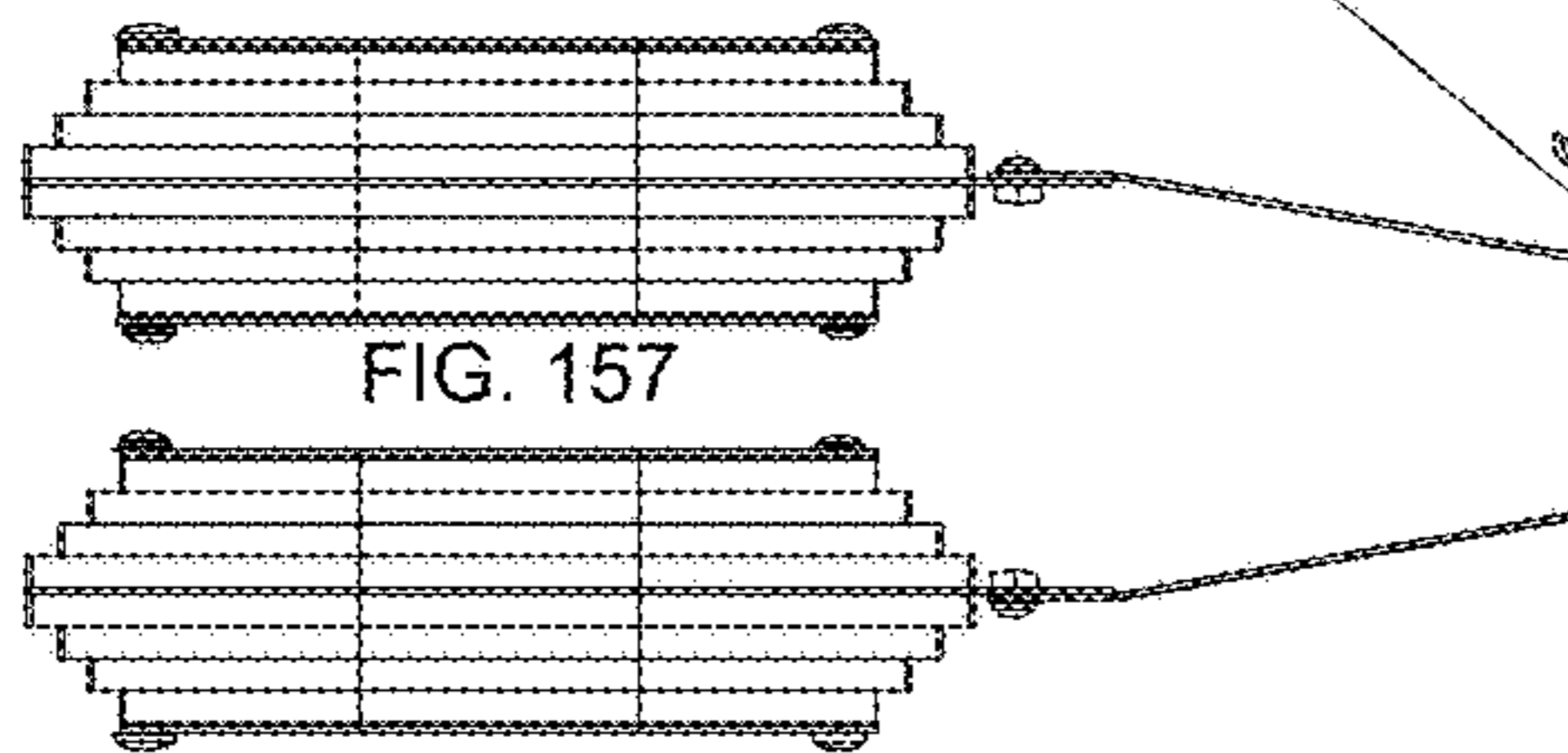


FIG. 157

FIG. 158

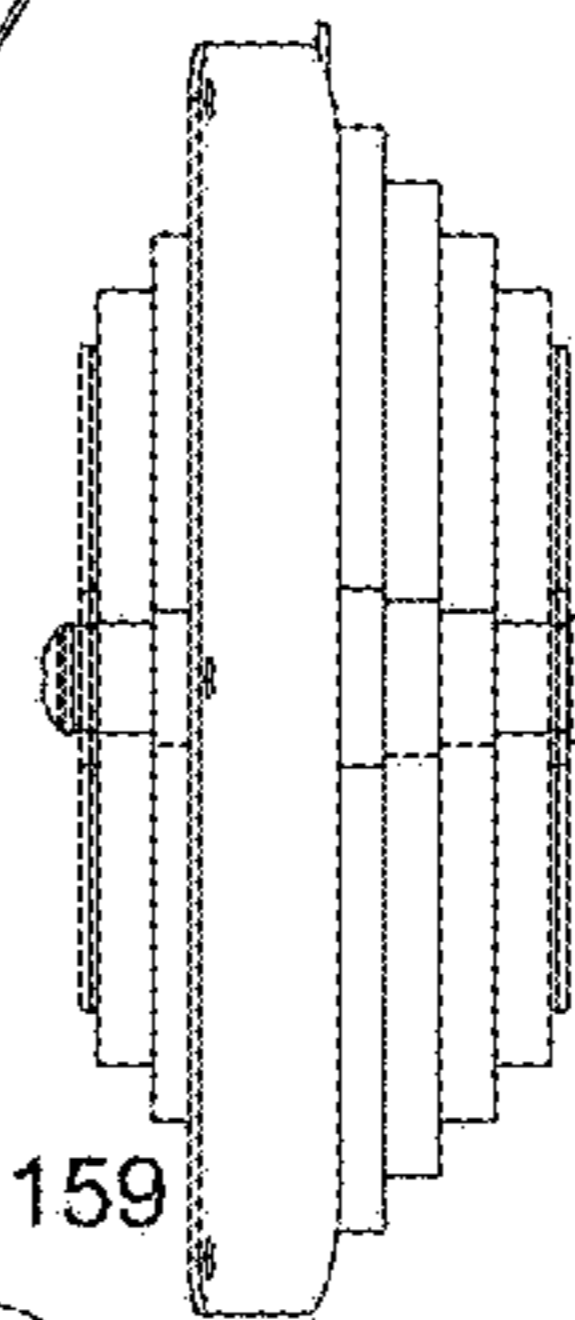


FIG. 159

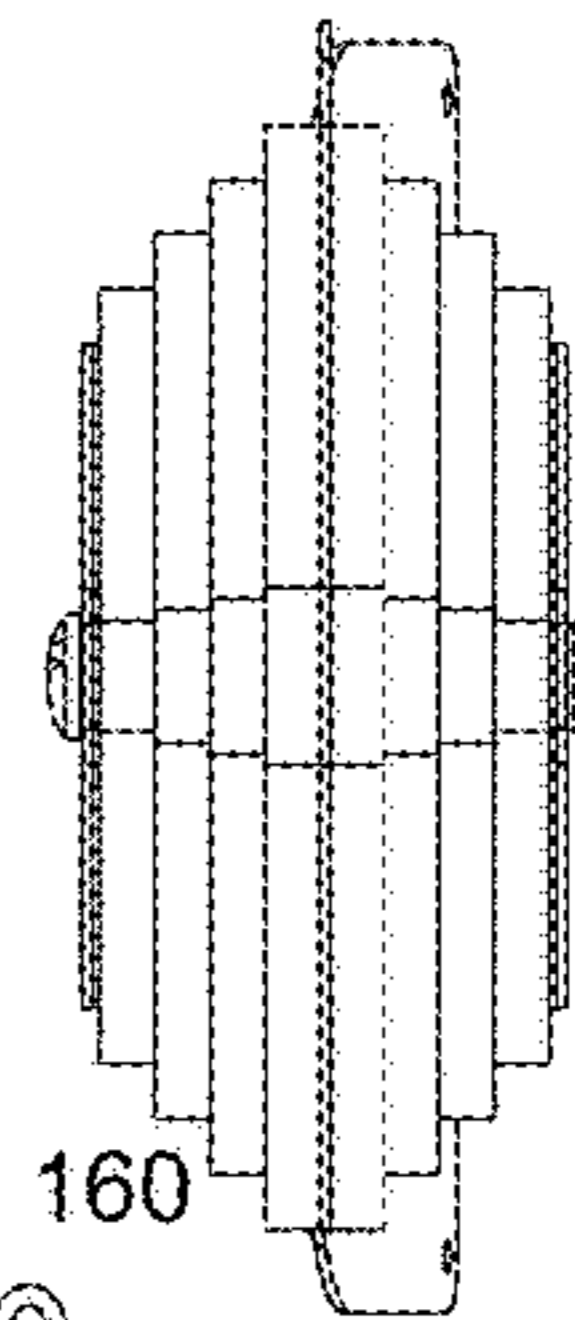


FIG. 160

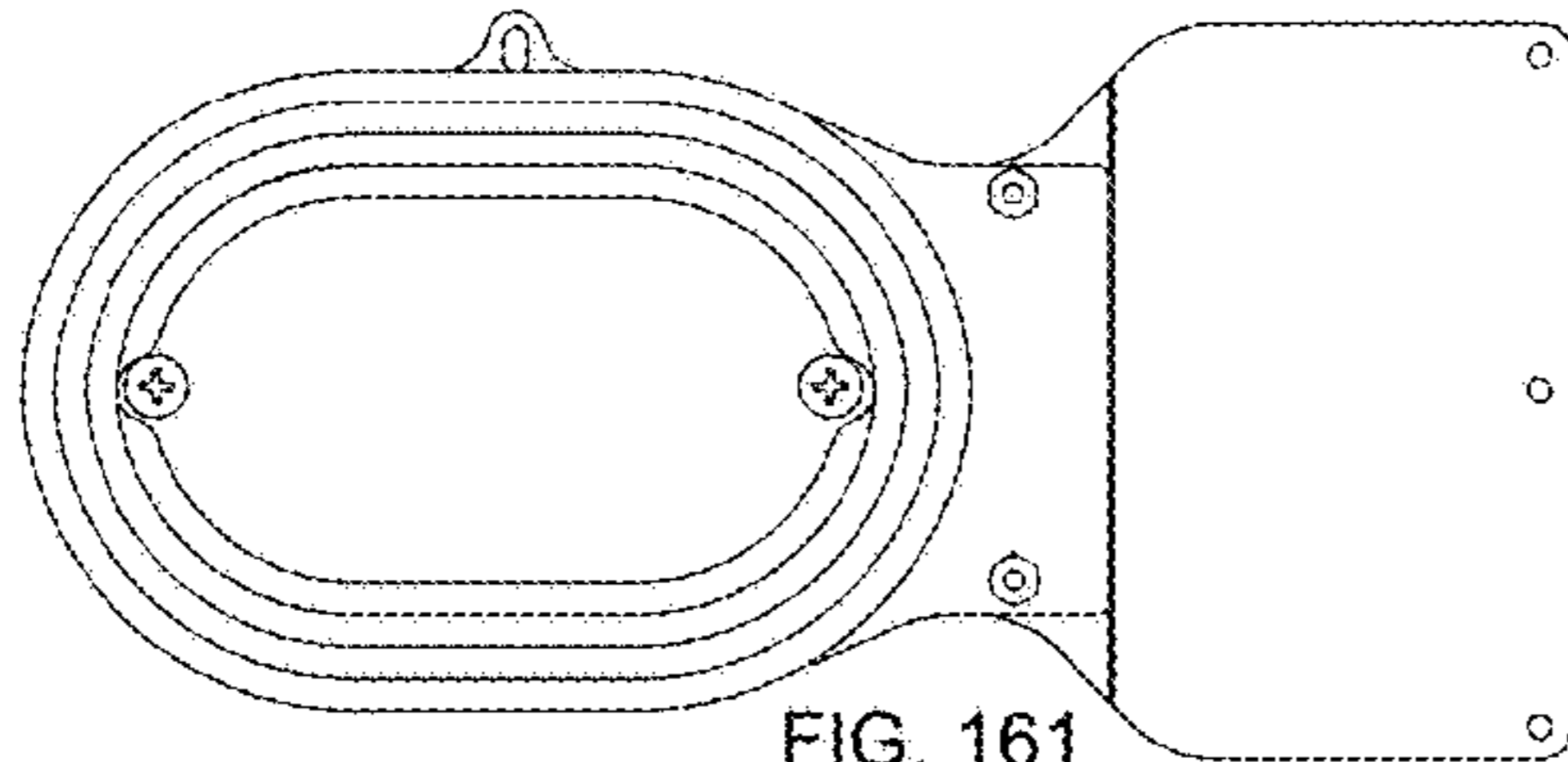


FIG. 161

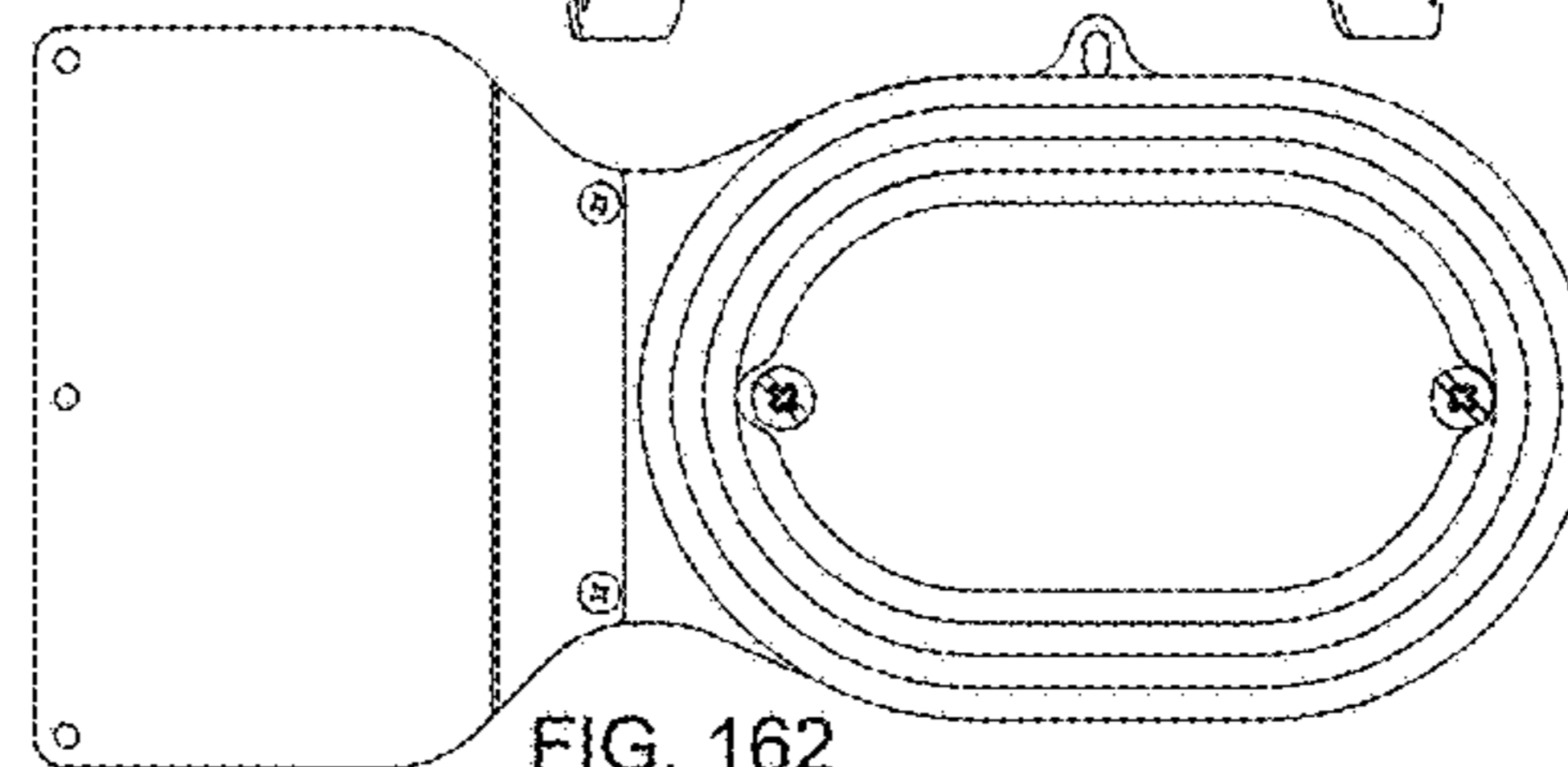


FIG. 162

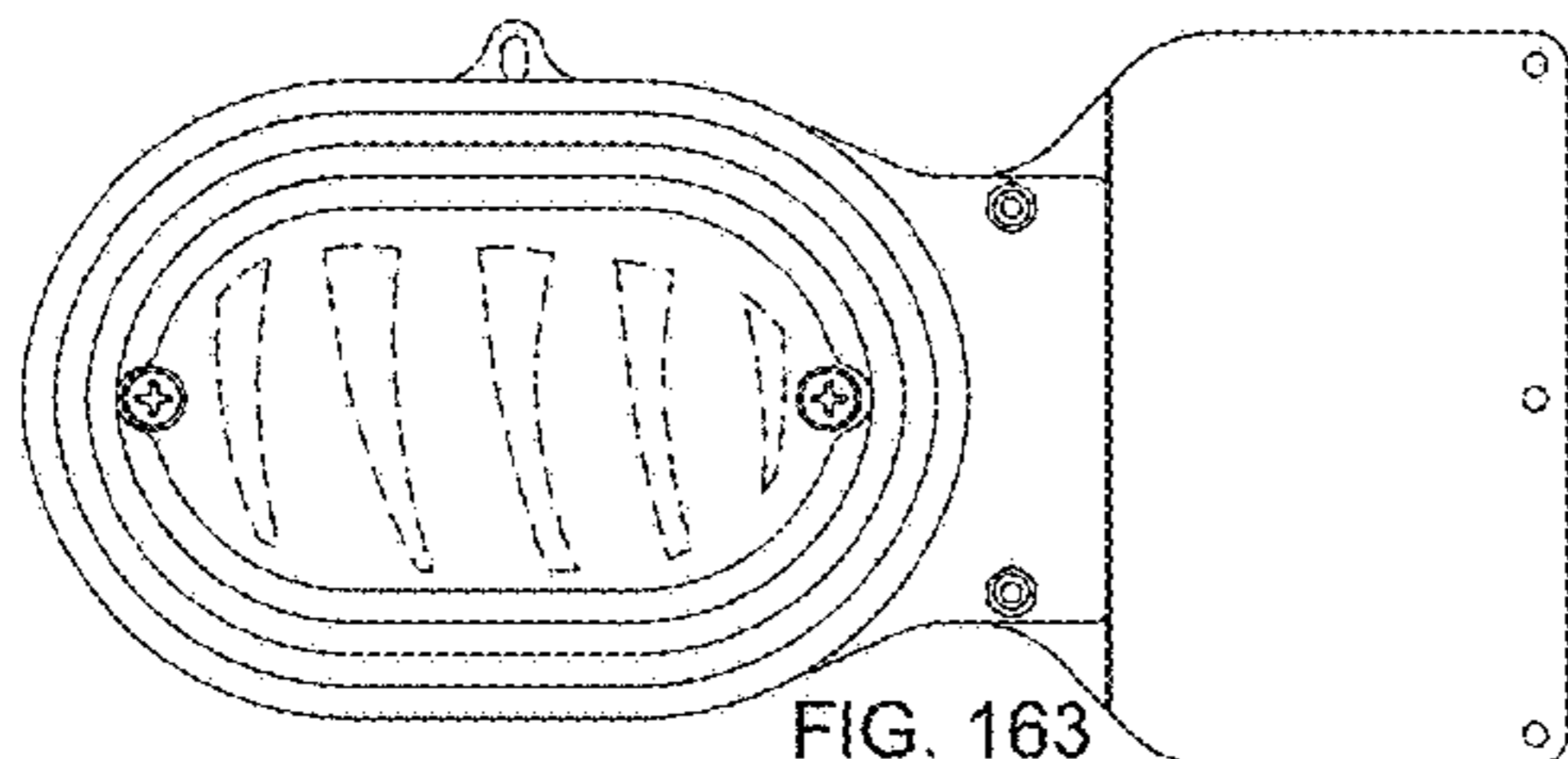


FIG. 163

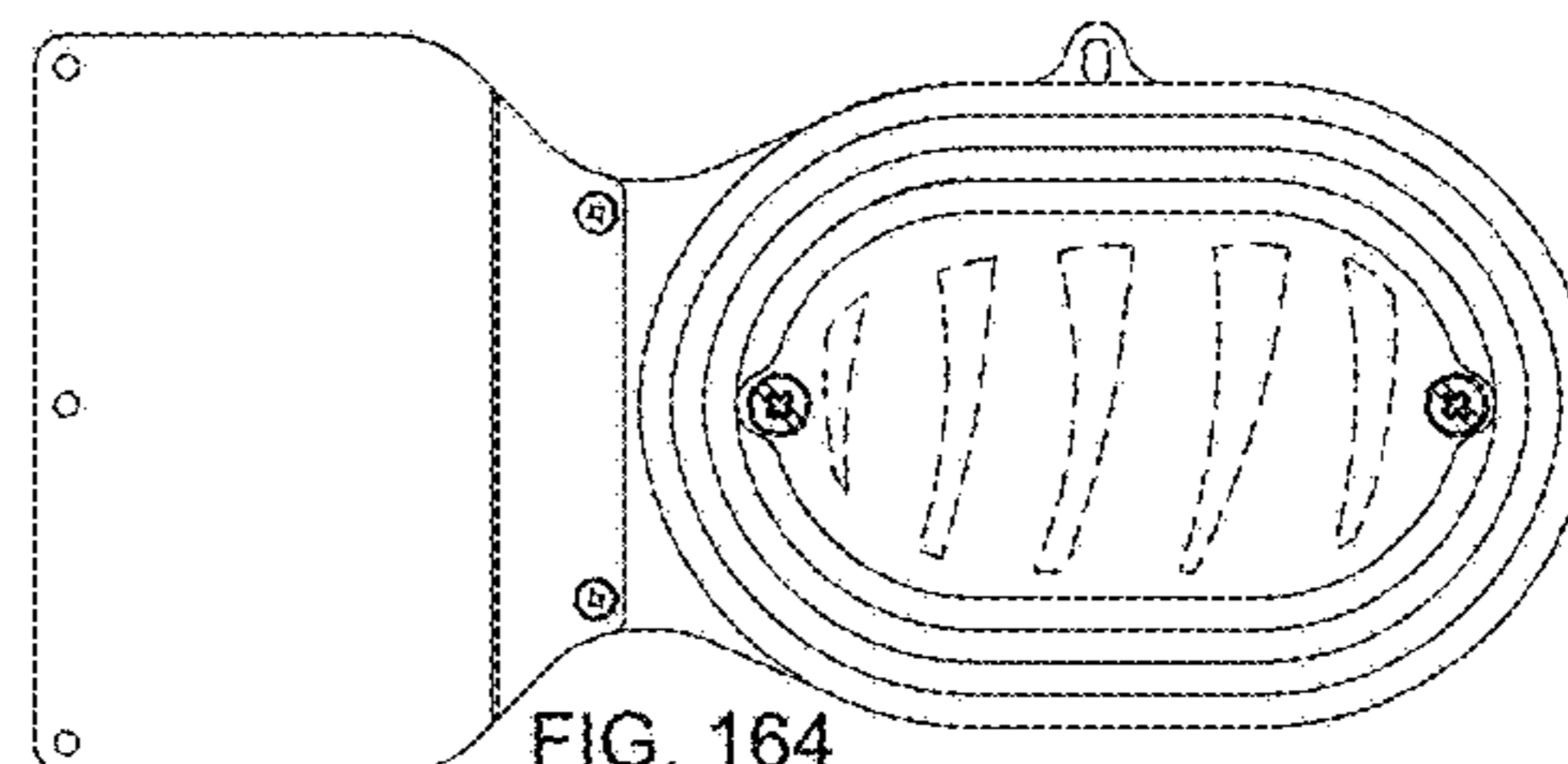


FIG. 164

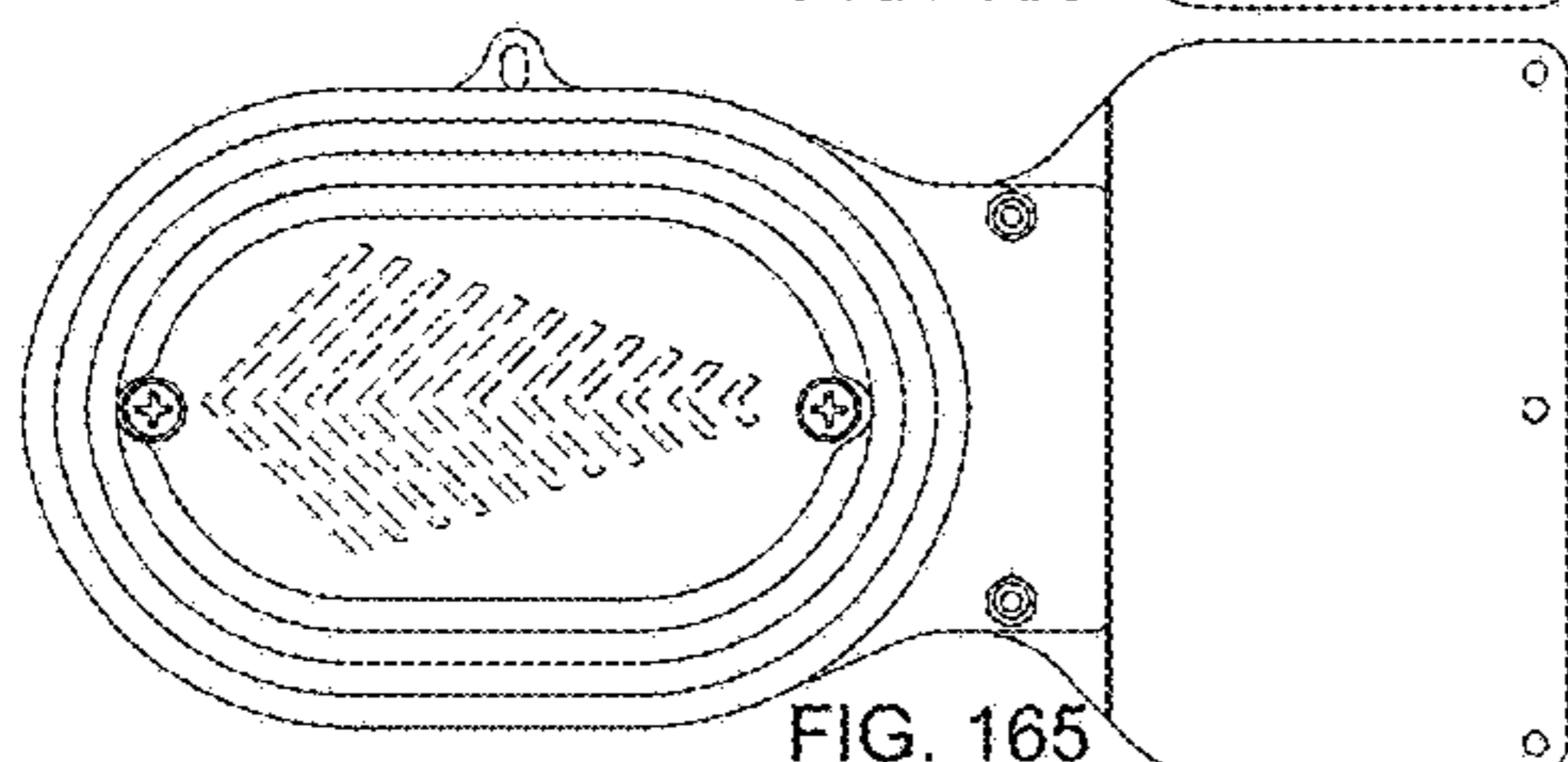


FIG. 165

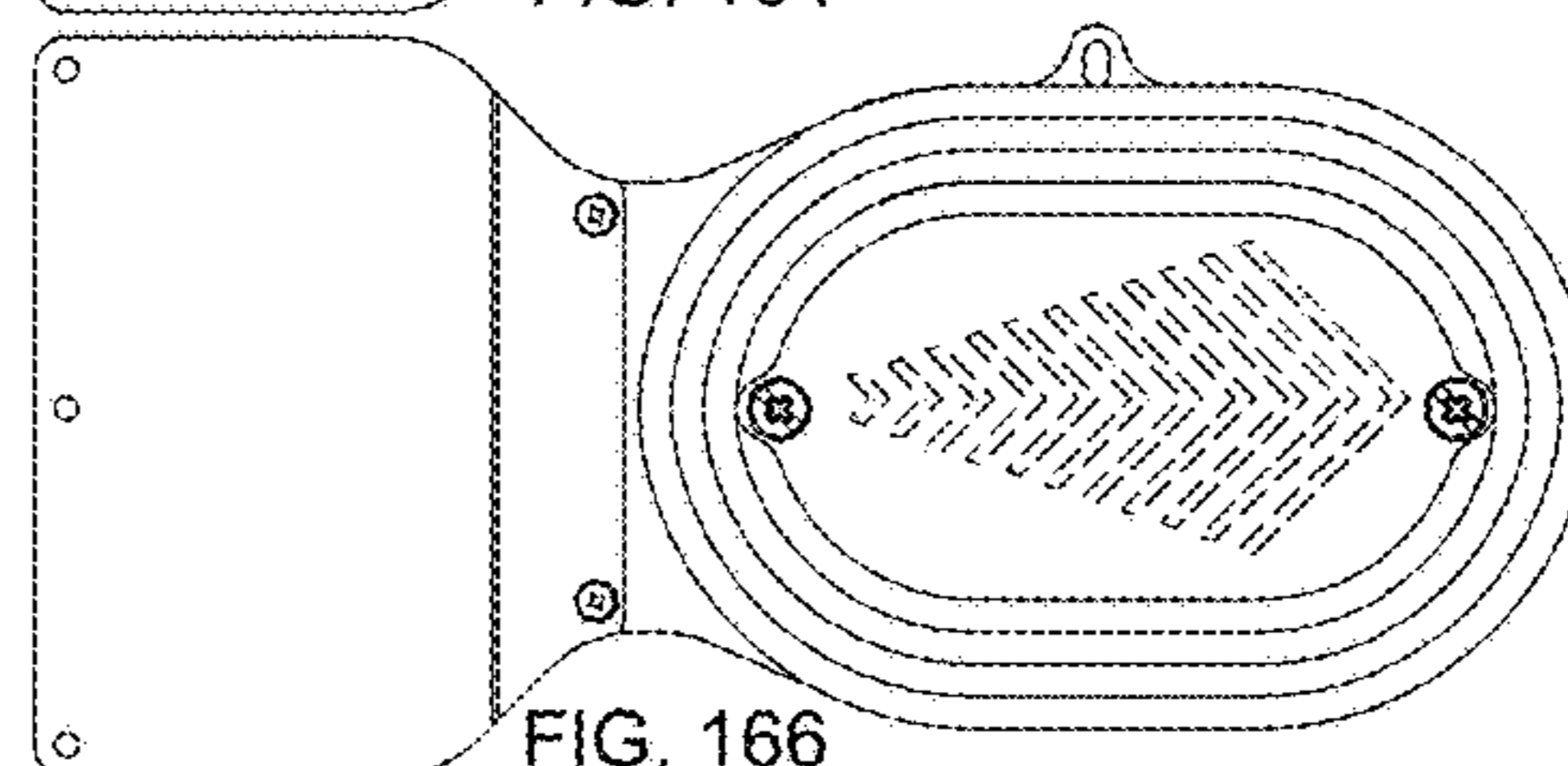


FIG. 166

