



US00D866704S

(12) **United States Design Patent** (10) **Patent No.:** **US D866,704 S**
Pool (45) **Date of Patent:** **** *Nov. 12, 2019**

(54) **LIGHTED FISH ATTRACTOR** 4,201,006 A * 5/1980 Wetherald A01K 85/00
43/42.06
(71) Applicant: **Pro-Troll, Inc.**, Concord, CA (US) D516,663 S * 3/2006 Pool D22/129
D561,866 S * 2/2008 Smith D22/129
(72) Inventor: **Richard B Pool**, Lafayette, CA (US) D658,739 S * 5/2012 Thomson D22/129
D746,939 S * 1/2016 Thomson D22/129
(73) Assignee: **Pro-Troll, Inc**, Concord, CA (US) D810,229 S * 2/2018 Pool D22/129

(*) Notice: This patent is subject to a terminal disclaimer.

(**) Term: **15 Years**

(21) Appl. No.: **29/615,001**

(22) Filed: **Aug. 24, 2017**

(51) **LOC (12) Cl.** **22-05**

(52) **U.S. Cl.**
USPC **D22/129**

(58) **Field of Classification Search**
USPC D22/126-133; 43/42.5, 42.31, 42.34,
43/42.51, 42.39, 42.06, 42.33
CPC A01K 85/00; A01K 85/14
See application file for complete search history.

(56) **References Cited**

U.S. PATENT DOCUMENTS

2,828,572 A * 4/1958 Sargent A01K 85/14
43/42.39
4,122,624 A * 10/1978 Smith A01K 85/14
43/42.33

* cited by examiner

Primary Examiner — Catherine R Oliver-Garcia
(74) *Attorney, Agent, or Firm* — Peter Tormey; Antero,
Tormey & Petrin, PC

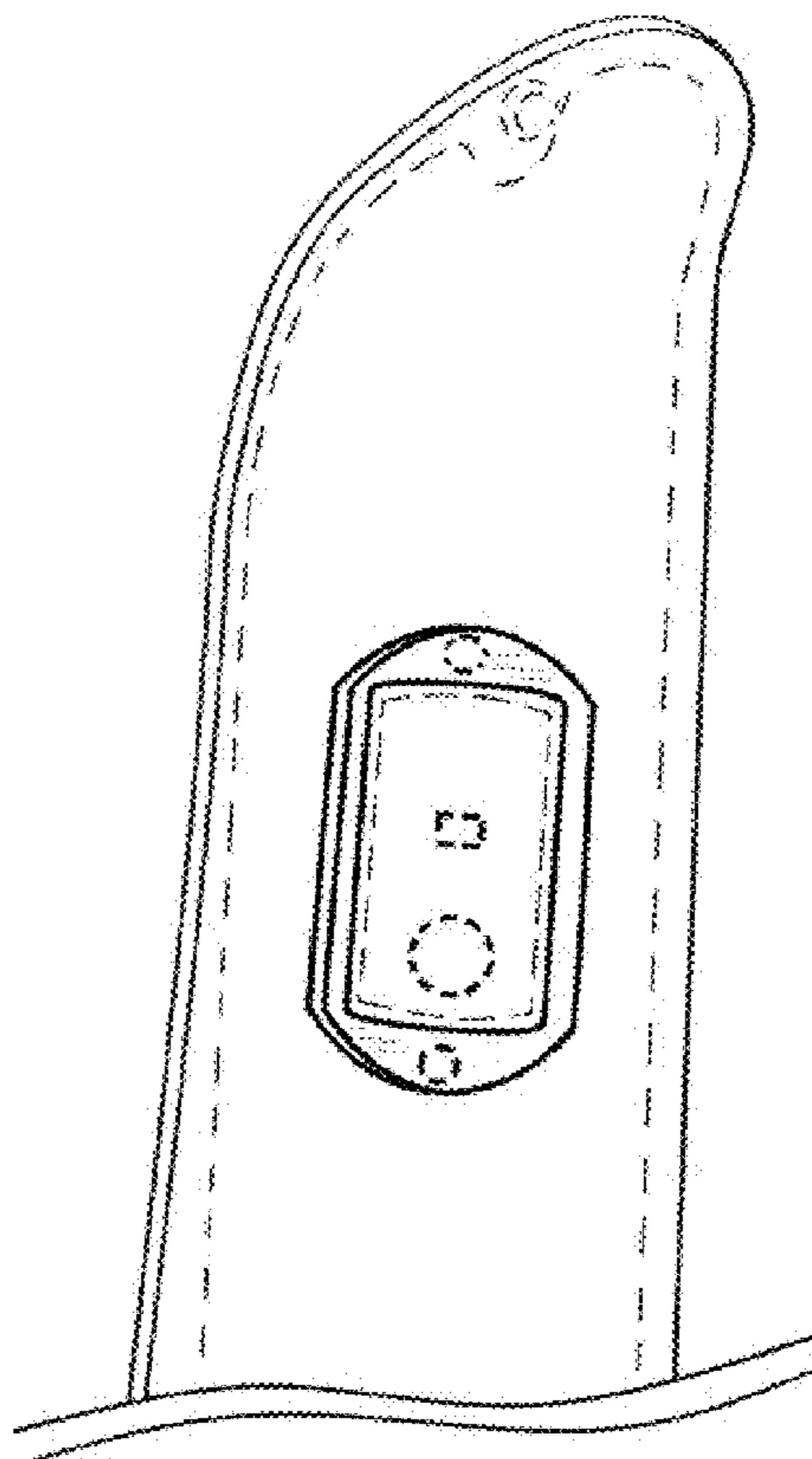
(57) **CLAIM**

The ornamental design for a lighted fish attractor, as shown and described.

DESCRIPTION

FIG. 1 is a front, left and top perspective view of the lighted fish attractor;
FIG. 2 is a front and top perspective view thereof;
FIG. 3 is a rear elevation view thereof;
FIG. 4 is a left side elevation view thereof;
FIG. 5 is a right side elevation view thereof;
FIG. 6 is a top plan view thereof; and,
FIG. 7 is a bottom plan view thereof.
The broken lines shown are included for the purpose of illustrating environmental structure and form no part of the claimed design.
The break lines are shown for convenience of illustration.

1 Claim, 7 Drawing Sheets



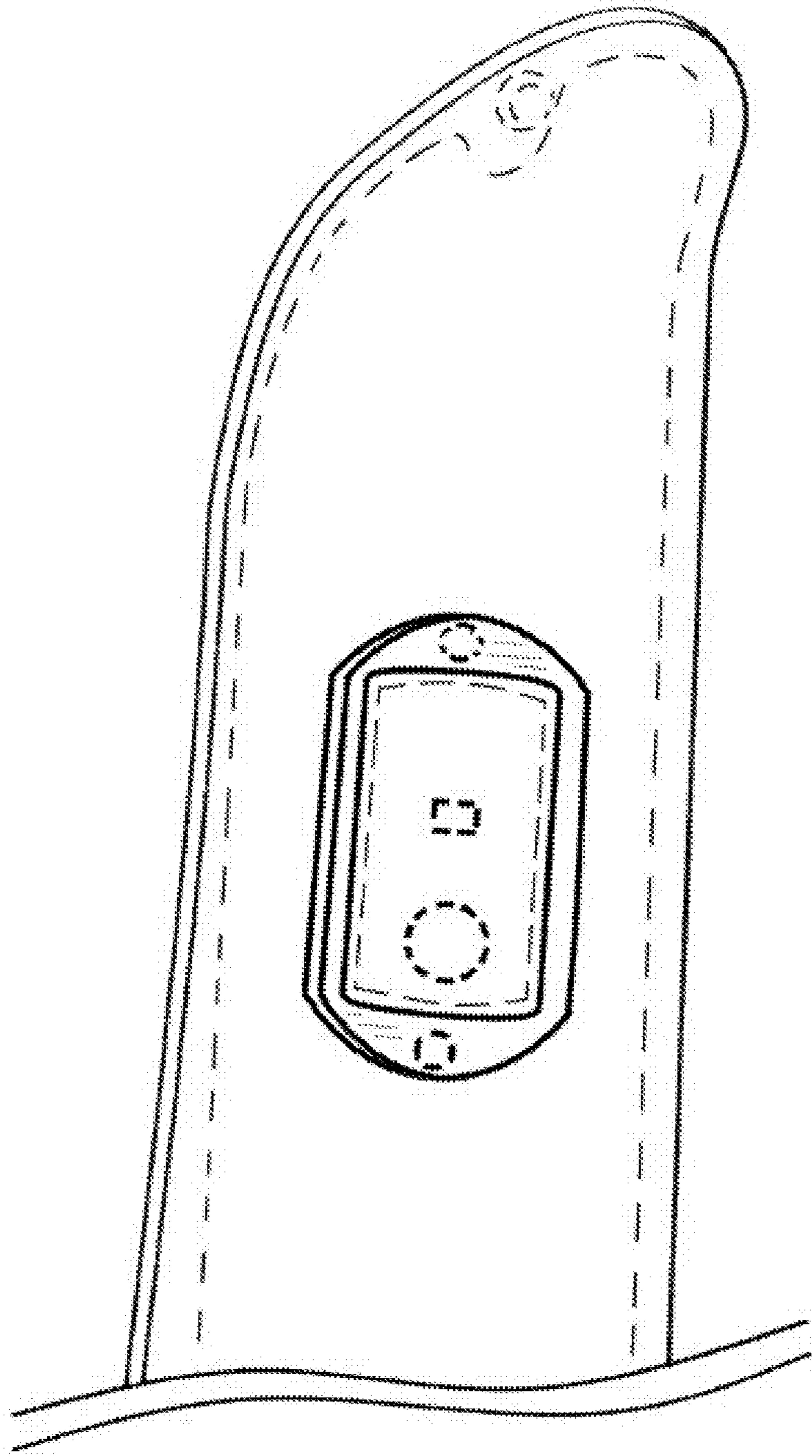


FIG. 1

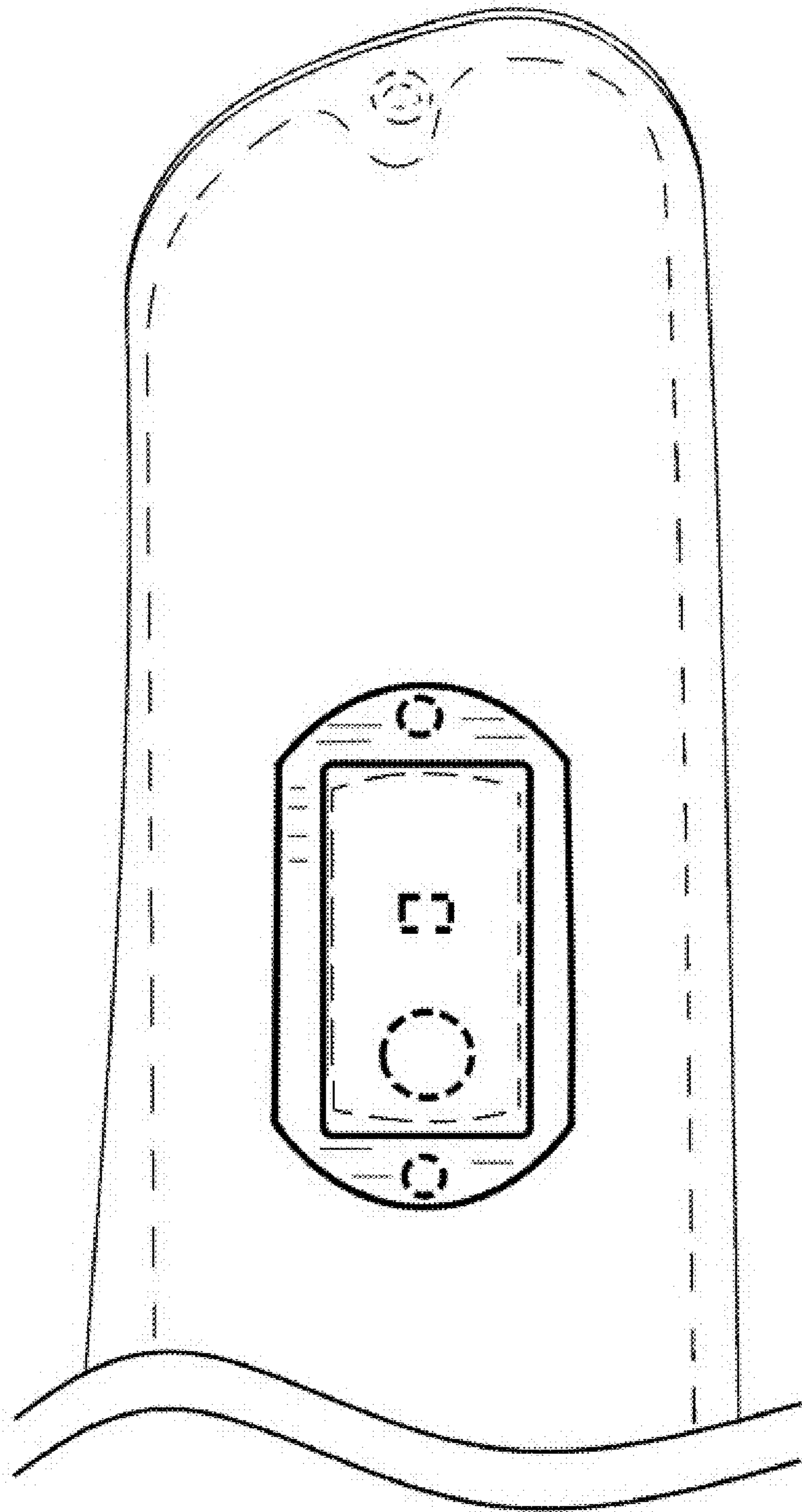


FIG. 2

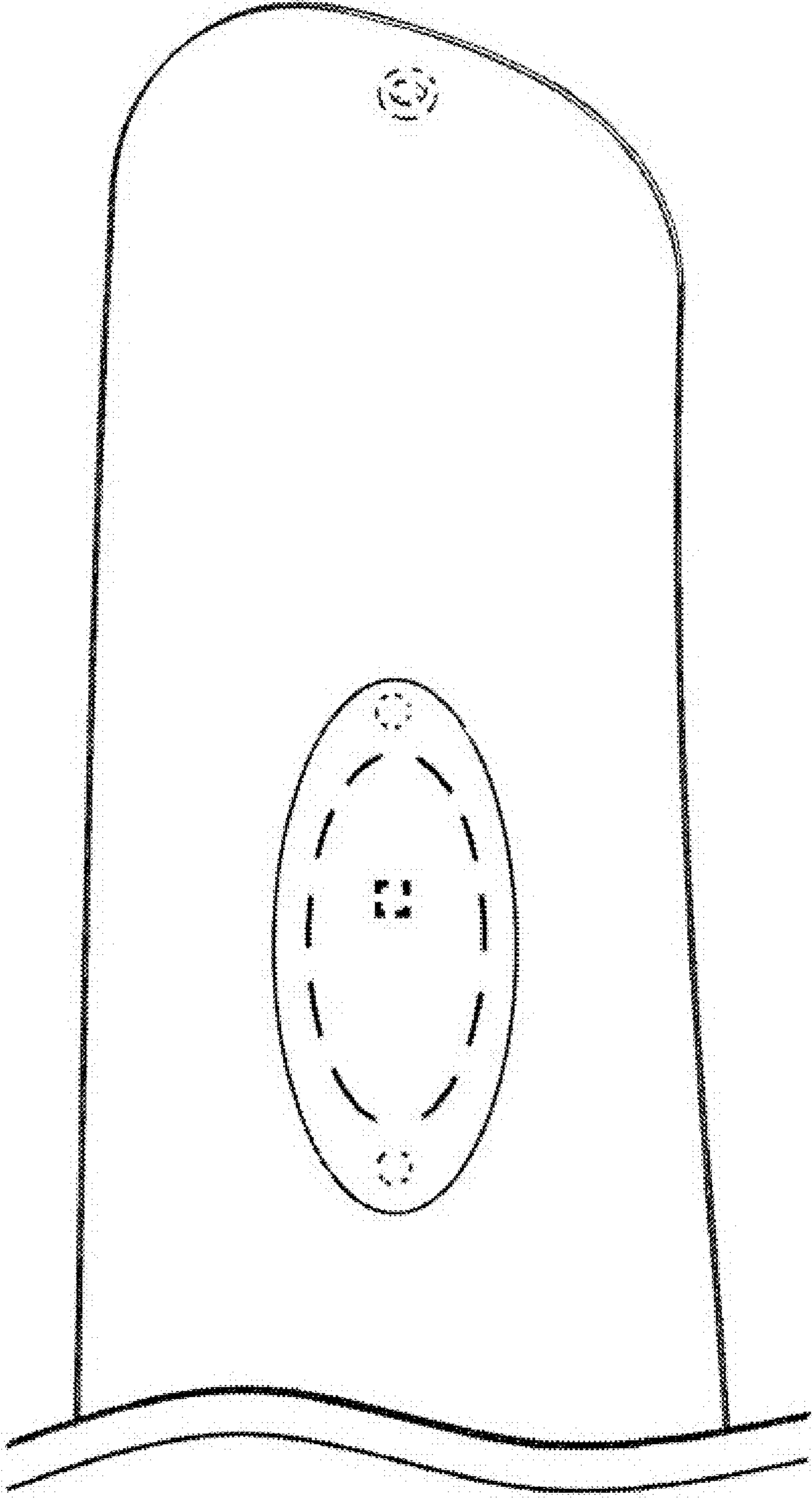


FIG. 3

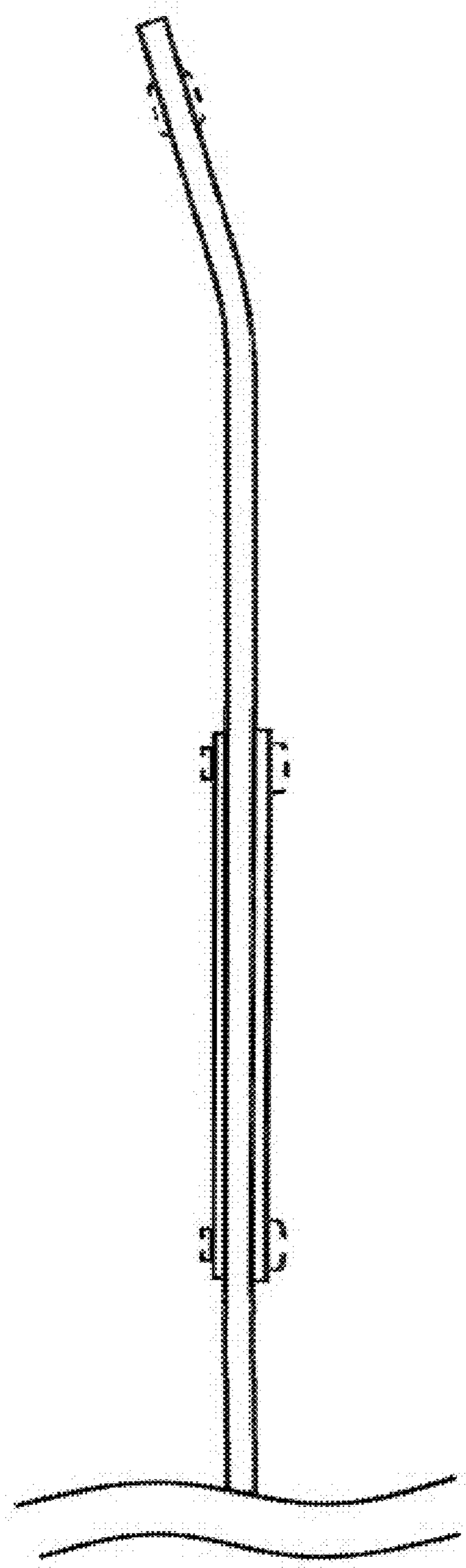


FIG. 4

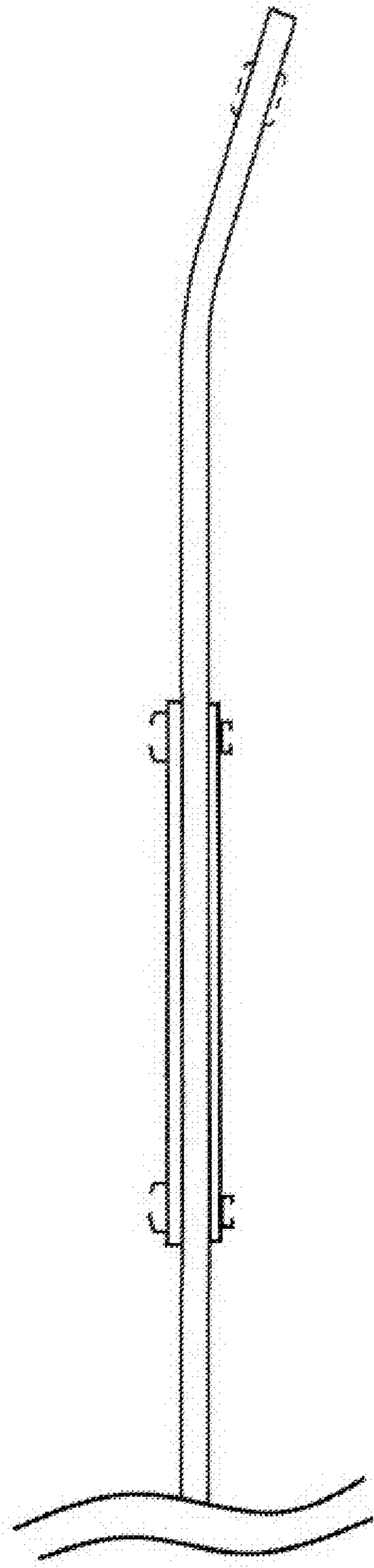


FIG. 5



FIG. 6



FIG. 7