



US00D866702S

(12) **United States Design Patent**
Abboud et al.

(10) **Patent No.:** **US D866,702 S**

(45) **Date of Patent:** **** Nov. 12, 2019**

(54) **CARTRIDGE**

(71) Applicant: **Leonidas IP, LLC**, Charleston (KN)

(72) Inventors: **Steven Abboud**, Davenport, FL (US);
Yi-Huan Chang, Taichung (TW)

(73) Assignee: **Leonidas IP, LLC**, Charleston (KN)

(**) Term: **15 Years**

(21) Appl. No.: **29/631,585**

(22) Filed: **Dec. 29, 2017**

(51) **LOC (12) Cl.** **22-03**

(52) **U.S. Cl.**
USPC **D22/117**

(58) **Field of Classification Search**
USPC D22/110, 117
CPC F41B 11/55; F41B 11/51; F41B 11/62
See application file for complete search history.

(56) **References Cited**

U.S. PATENT DOCUMENTS

3,803,463	A	4/1974	Cover	
5,078,117	A	1/1992	Cover	
5,786,546	A	7/1998	Simson	
5,996,503	A	12/1999	Woodall et al.	
7,075,770	B1	7/2006	Smith	
7,305,787	B1	12/2007	Stratbucker	
D570,948	S *	6/2008	Cerovic	D22/108
7,444,939	B2 *	11/2008	McNulty	F41H 13/0025
				102/502
D602,109	S *	10/2009	Cerovic	D22/108
7,600,337	B2	10/2009	Nerheim et al.	
7,676,972	B2	3/2010	Smith et al.	
7,859,818	B2	12/2010	Kroll et al.	
7,944,676	B2	5/2011	Smith et al.	
8,045,316	B2	10/2011	Nerheim	
D651,679	S *	1/2012	Klug	D22/108
8,320,098	B2	11/2012	Klug et al.	

D822,785	S *	7/2018	Norris	D22/117
10,101,135	B1 *	10/2018	Abboud	F41H 13/0025
2006/0187610	A1	8/2006	Su	
2008/0276822	A1	11/2008	Lubbers et al.	
2010/0146835	A1	6/2010	Mc Nulty, Jr.	
2010/0315755	A1	12/2010	Gavin	

OTHER PUBLICATIONS

File History of U.S. Trademark Registration No. 4,423,789 (Serial No. 85497825), registered Oct. 29, 2013 and filed Dec. 16, 2011. Raysun X-1 Product Description by Defenders Network, Inc., accessed at least as early as Dec. 21, 2012, available at <http://www.defend-net.com/raysun/index.options.html>. Raysun XI Multi-Mode Police Weapon Product Description by Defenders Network, Inc., accessed at least as early as Dec. 21, 2012, available at <http://www.defend-net.com/raysun/index.options.html>.

(Continued)

Primary Examiner — Michael A. Pratt
(74) *Attorney, Agent, or Firm* — Adam R. Stephenson, Ltd.

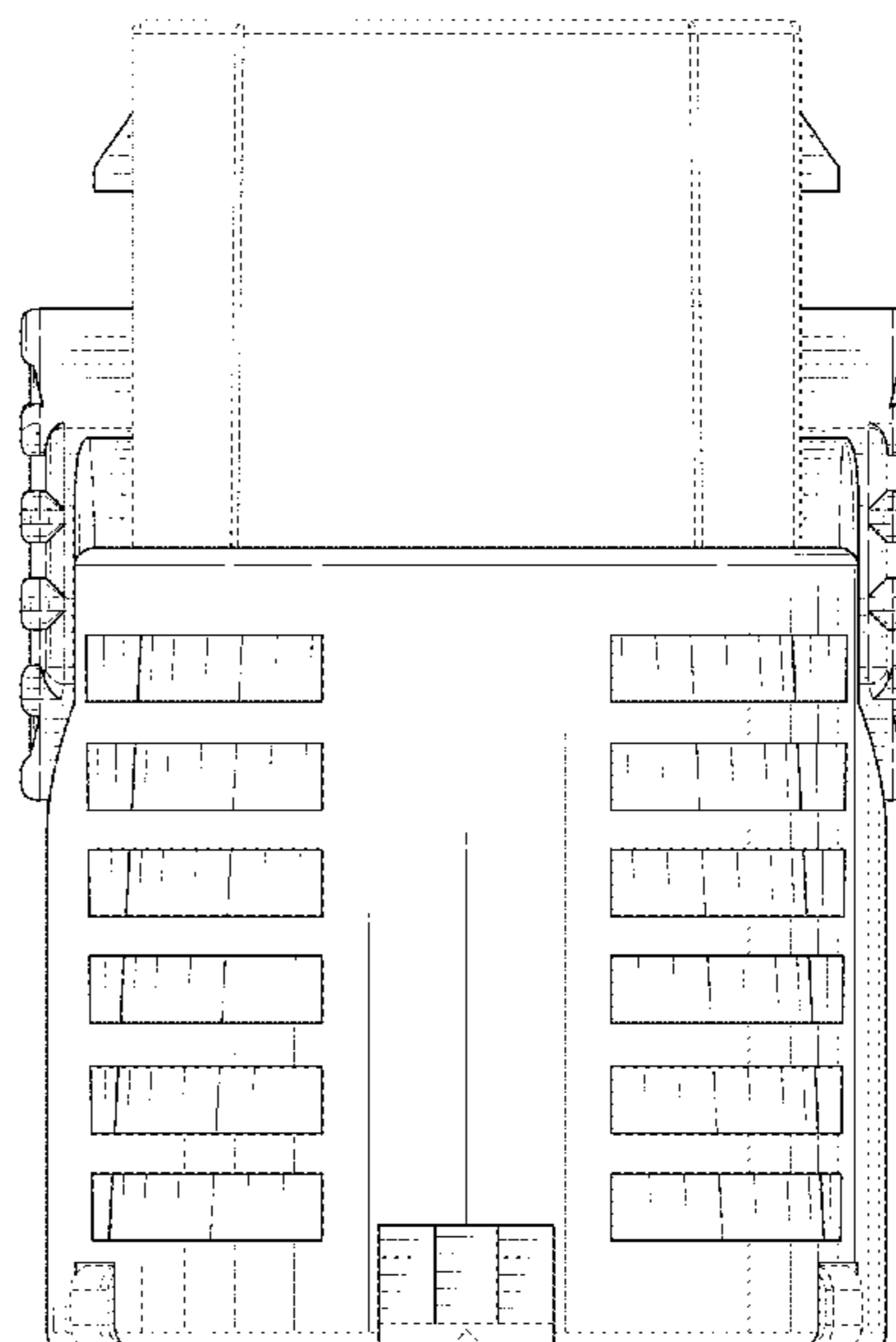
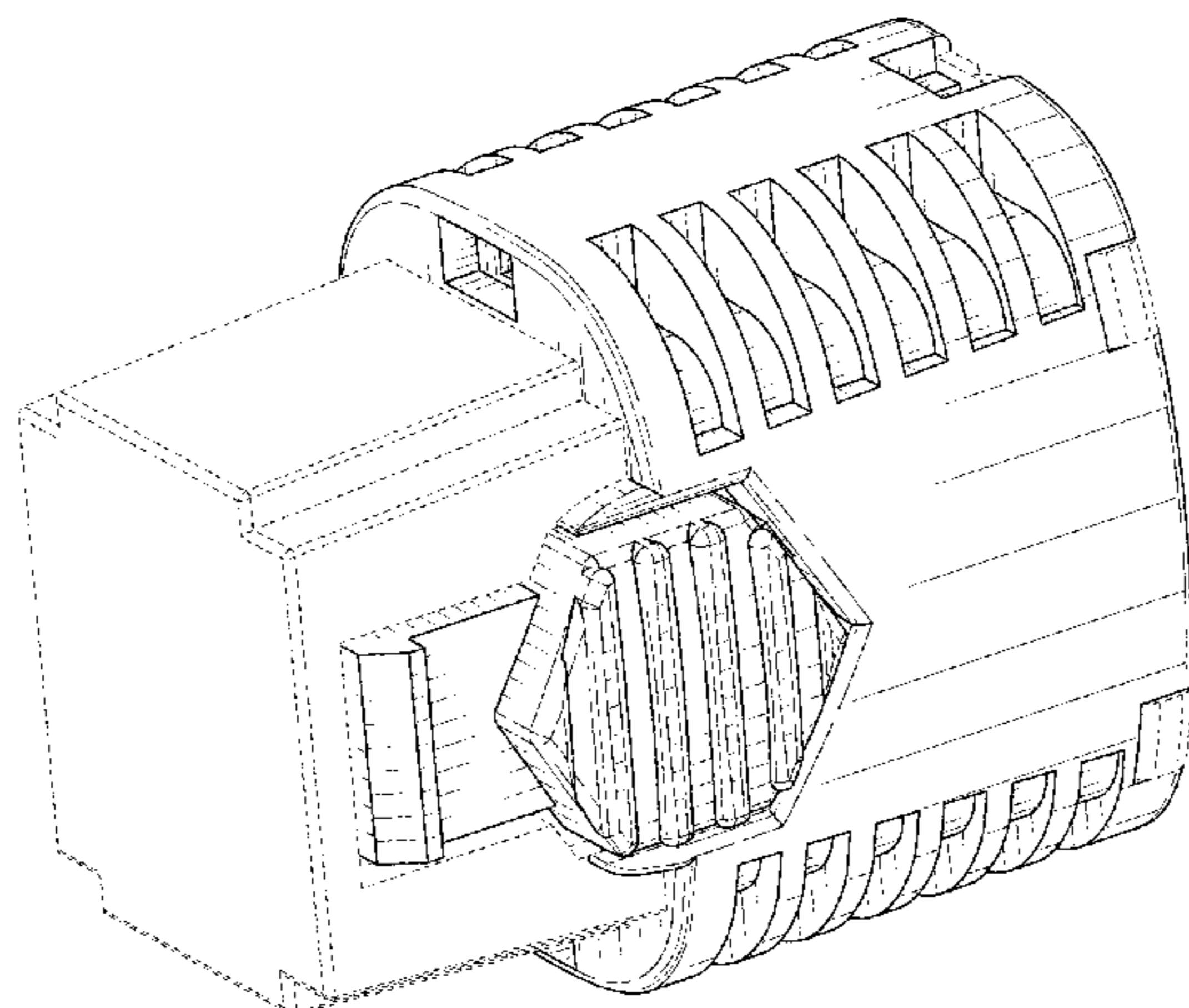
(57) **CLAIM**

The ornamental design for a cartridge, as shown and described.

DESCRIPTION

FIG. 1 is a perspective view of a cartridge;
FIG. 2 is a top view thereof, the bottom view being a mirror image;
FIG. 3 is left side view thereof, the right side being a mirror image;
FIG. 4 is a front view thereof; and,
FIG. 5 is a rear view thereof.
All broken lines represent unclaimed features of the article to which the design is applied.

1 Claim, 5 Drawing Sheets



(56)

References Cited

OTHER PUBLICATIONS

Raysun XI Multi-Mode Police Weapon Catalog Page by Defenders Network, Inc., accessed at least as early as Dec. 21, 2012, available at <http://www.defend-net.com/raysun/Images/Raysun%20X1%20print.pdf>.

Raysun XI Non-Lethal Police Weapon Operations Manual by Defenders Network, Inc., published at least as early as 2009, available at <http://www.defend-net.com/raysun/Images/Raysun%20Instr.%20outside.pdf>.

Raysun X-I Product Advertisement on May 1, 2009 internet archive of www.JiunAn.com website, available at <http://web.archive.org/web/20090501084907/http://www.jiunan.com.tw/en/defense/stungun-x1.html>.

Taser x26P, X26C, & M26C Two Pack of Live Cartridges, <https://buy.taser.com/taser-x26p-two-pack-of-live-cartridges/> (last visited Dec. 13, 2017).

* cited by examiner

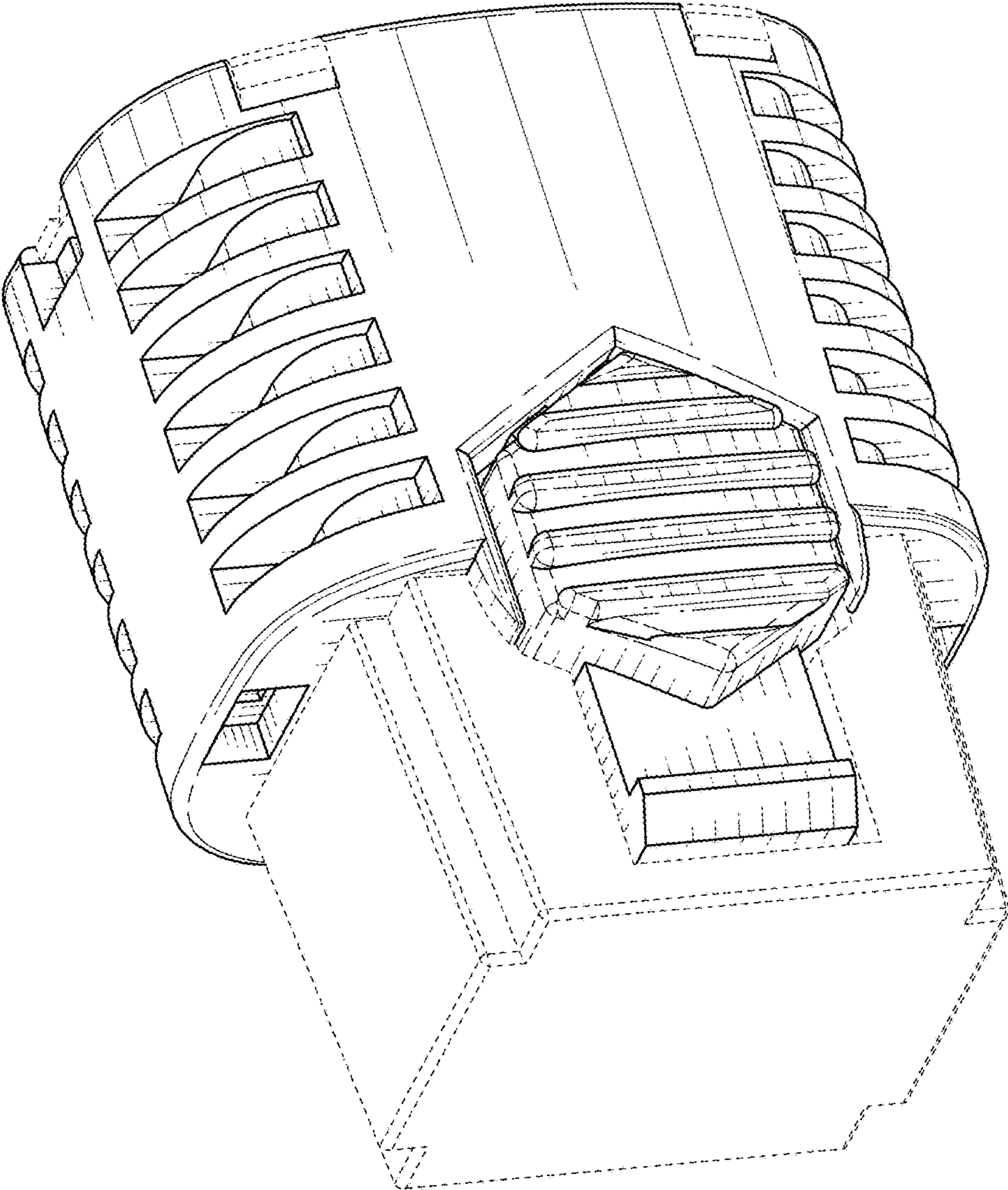


FIG. 1

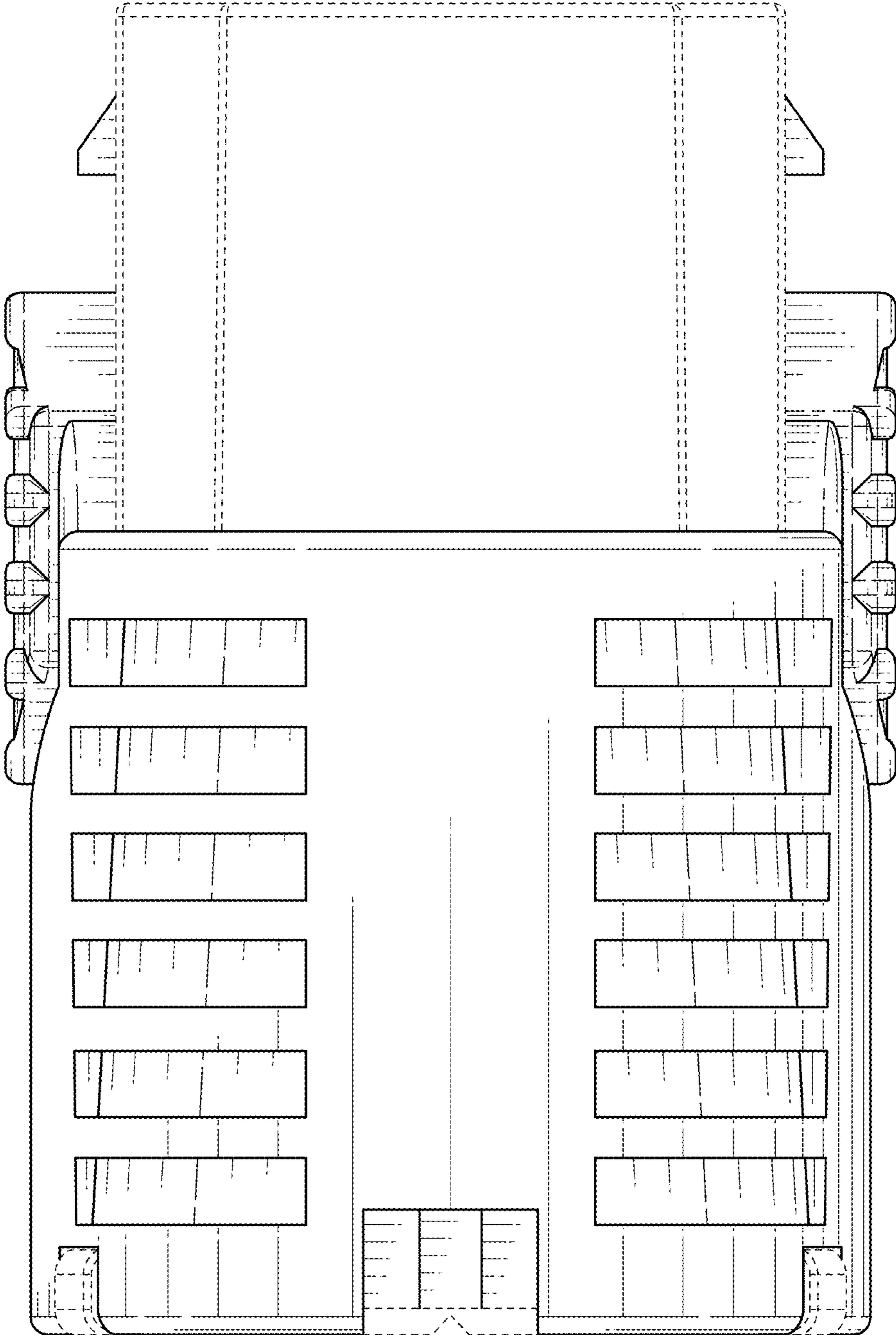


FIG. 2

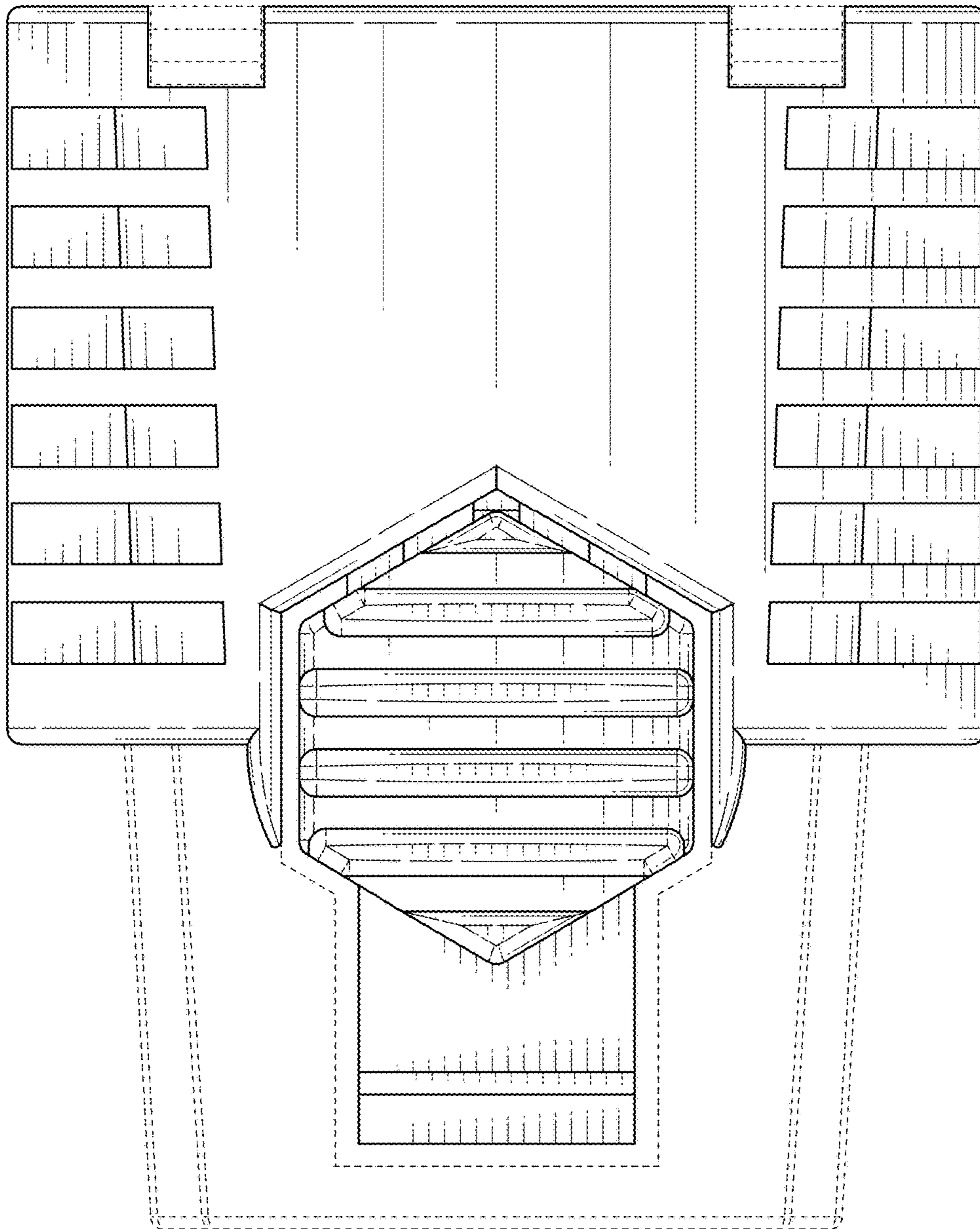


FIG. 3

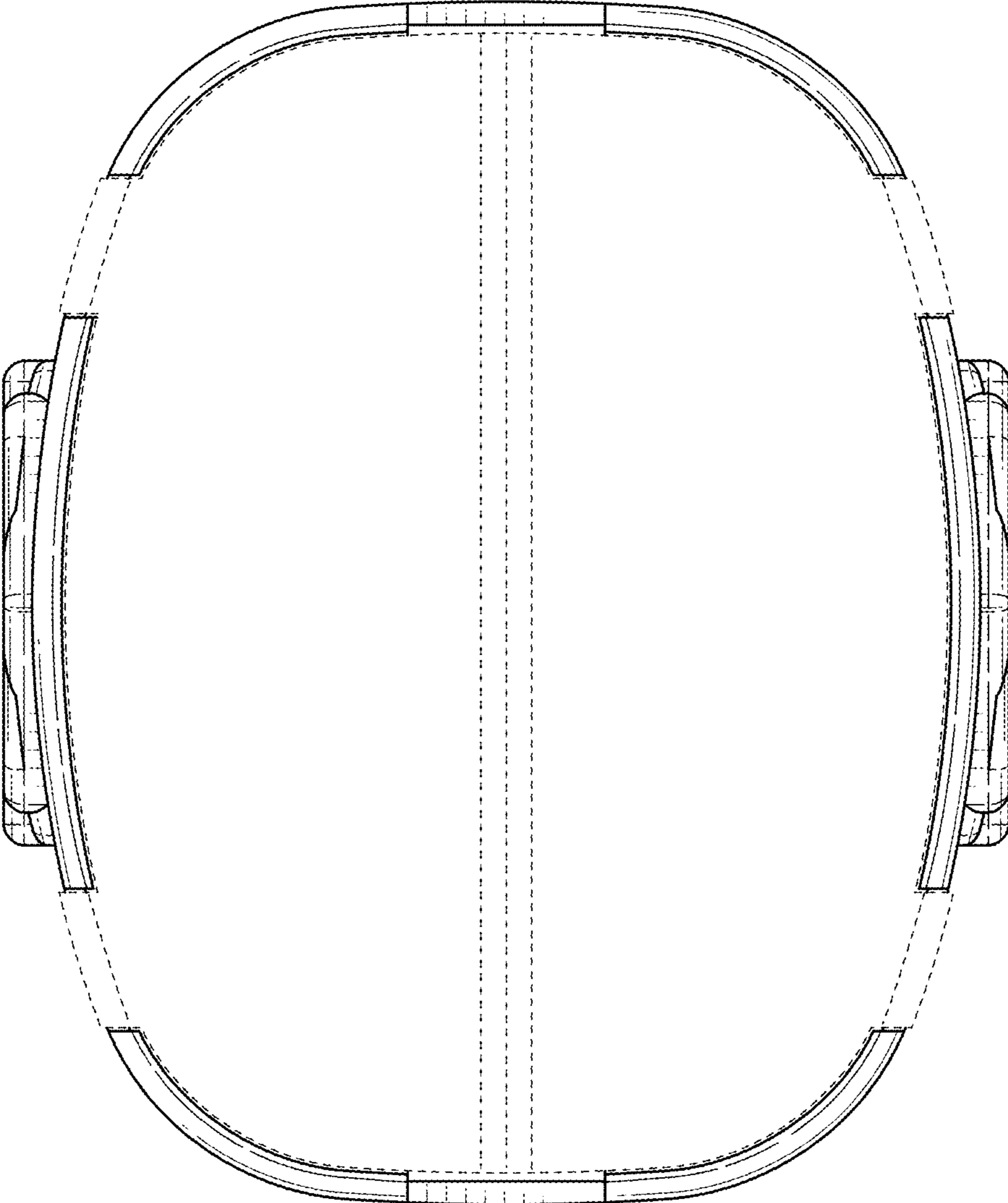


FIG. 4

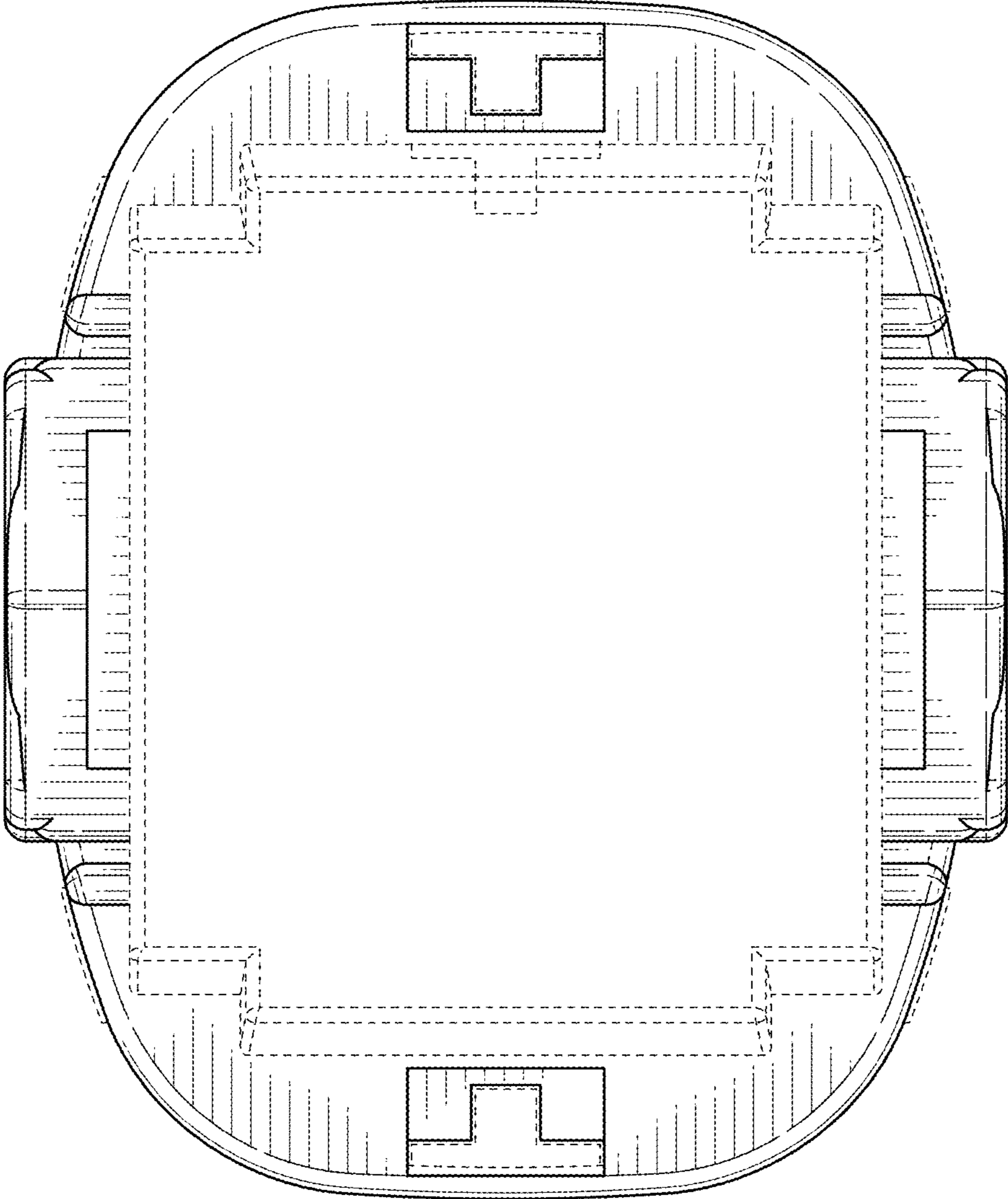


FIG. 5