

US00D866701S

(12) **United States Design Patent** (10) **Patent No.:** **US D866,701 S**  
**Mank** (45) **Date of Patent:** **\*\* Nov. 12, 2019**

(54) **BULLET**  
(71) Applicant: **Brenneke Ammunition GmbH**,  
Langenhagen (DE)  
(72) Inventor: **Peter Mank**, Burgwedel (DE)  
(73) Assignee: **Brenneke Ammunition GmbH**,  
Langenhagen (DE)  
(\*\*) Term: **15 Years**

D613,814 S *	4/2010	Farina .....	D22/116
D624,150 S *	9/2010	Trybulski .....	D22/199
D625,380 S *	10/2010	Walter .....	D22/116
D637,262 S *	5/2011	Alculumbre .....	D22/116
D709,140 S *	7/2014	Coulter .....	D21/573
D723,653 S *	3/2015	Peterson .....	D22/112
9,212,879 B2 *	12/2015	Whitworth .....	F42B 5/24
D747,781 S *	1/2016	Alculumbre .....	D22/115
D778,391 S *	2/2017	Burrow .....	D22/115
D813,974 S *	3/2018	Peterson .....	D22/116
2001/0013299 A1 *	8/2001	Husseini .....	F42B 5/307 102/466
2005/0257711 A1 *	11/2005	Husseini .....	F42B 5/30 102/466

(21) Appl. No.: **29/634,166**

(22) Filed: **Jan. 18, 2018**

(51) **LOC (12) Cl.** ..... **22-03**

(52) **U.S. Cl.**  
USPC ..... **D22/116**

(58) **Field of Classification Search**  
USPC ..... D21/301, 304, 567, 570, 571, 573, 574,  
D21/575, 746; D22/100, 101, 102, 103,  
D22/106, 107, 108, 109, 110, 111, 112,  
D22/115, 116, 199  
CPC ..... F41A 3/26; F41A 3/12; F41A 5/02; F41A  
17/22; F41B 5/143; F41B 5/14; F41B  
5/066; F41B 7/08; F41B 5/1446; F41B  
5/148; F41B 5/1465; F42B 6/04; F42B  
6/08; F42B 6/02; F42B 6/06; F42B  
12/362; F41C 23/16; F41C 27/00; F41C  
7/00; F41G 11/003; F41G 11/001; F41G  
11/004; F41G 11/005; A63H 5/04  
See application file for complete search history.

(56) **References Cited**

**U.S. PATENT DOCUMENTS**

3,200,751 A *	8/1965	Vitt .....	F42B 7/10 102/519
5,309,842 A	5/1994	Matysik et al.	
6,367,387 B1	4/2002	Krüper	
7,331,294 B2	2/2008	Mank	
7,543,535 B2	6/2009	Herrlinger	
D610,224 S *	2/2010	MacTavish .....	D22/115

**OTHER PUBLICATIONS**

“Shotgun Slugs” [online]. Chuck Hawks. [Published on Dec. 24, 2009]. Retrieved from the Internet: <<http://blog.wenxuecity.com/myblog/26128/200912/33808.html>>.\*

\* cited by examiner

*Primary Examiner* — Khawaja Anwar  
*Assistant Examiner* — Mojtaba Tehrani  
(74) *Attorney, Agent, or Firm* — Shlesinger, Arkwright & Garvey LLP

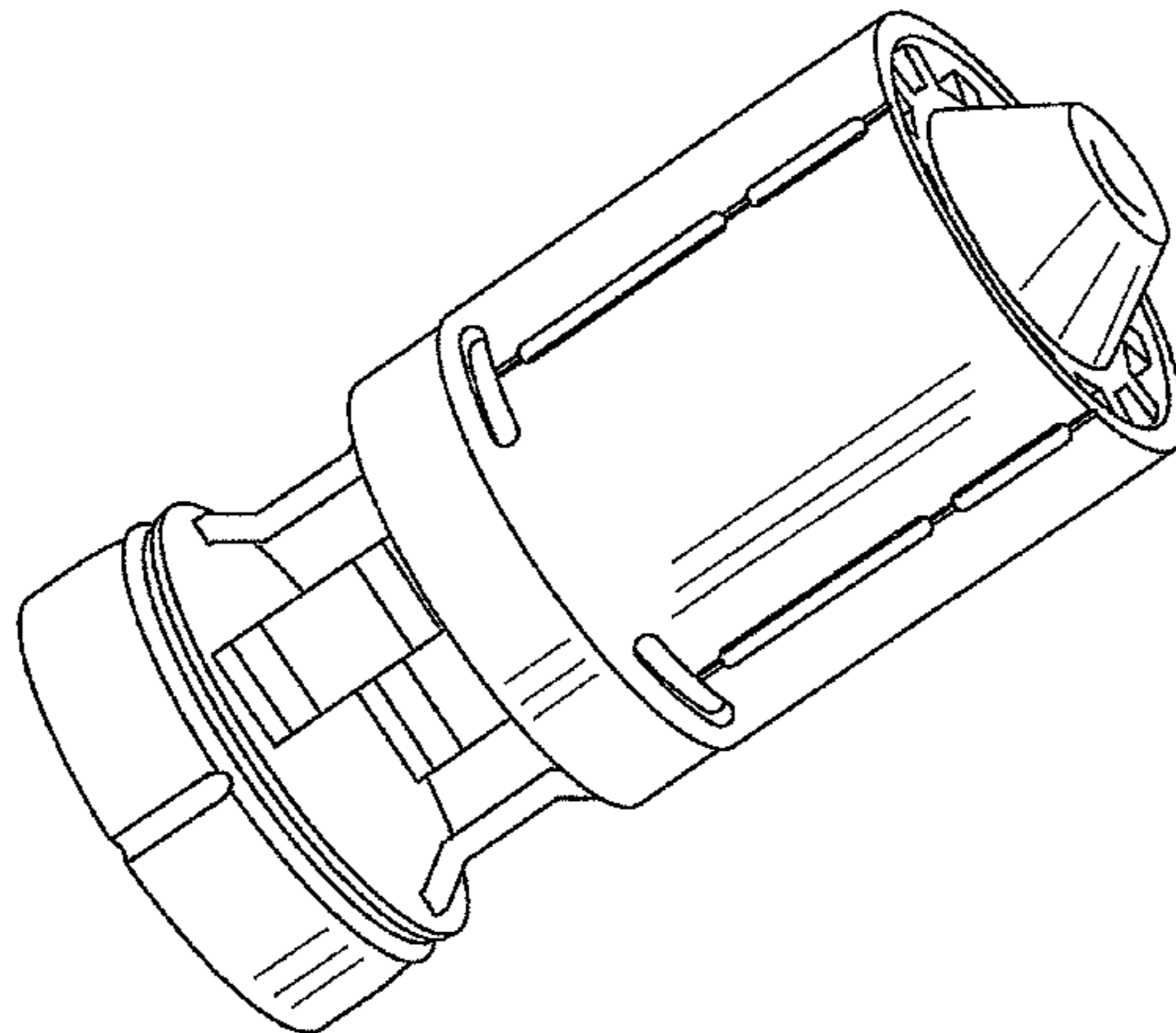
(57) **CLAIM**

The ornamental design for a bullet, as shown and described.

**DESCRIPTION**

FIG. 1 is a perspective view of a bullet, showing my new design;  
FIG. 2 is a front view thereof;  
FIG. 3 is a side view thereof;  
FIG. 4 is a top plan view thereof; and,  
FIG. 5 is a bottom plan view thereof.  
The broken lines in the drawings illustrate unclaimed portions of the bullet only, and form no part of the claimed design.

**1 Claim, 5 Drawing Sheets**



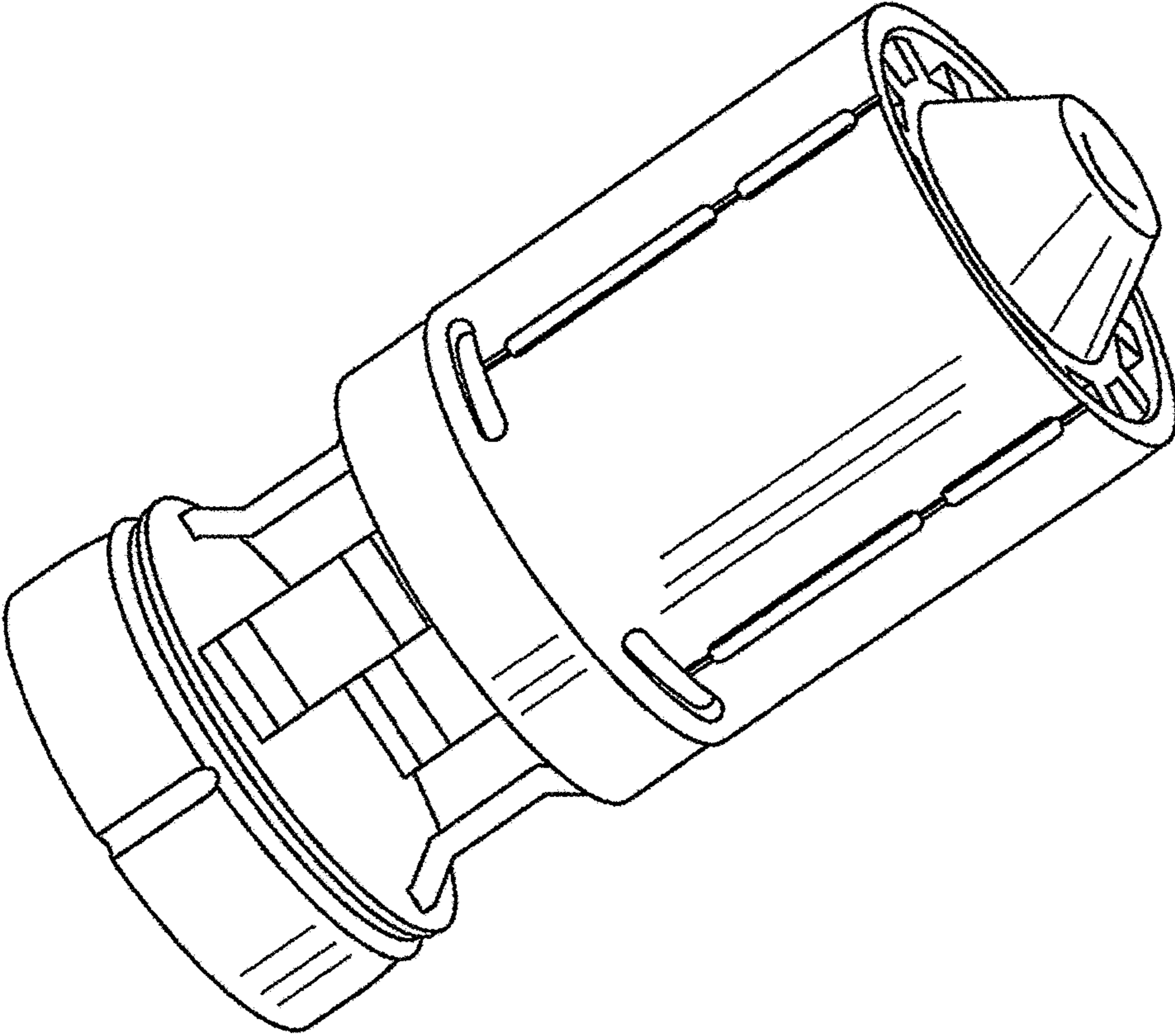


Fig. 1

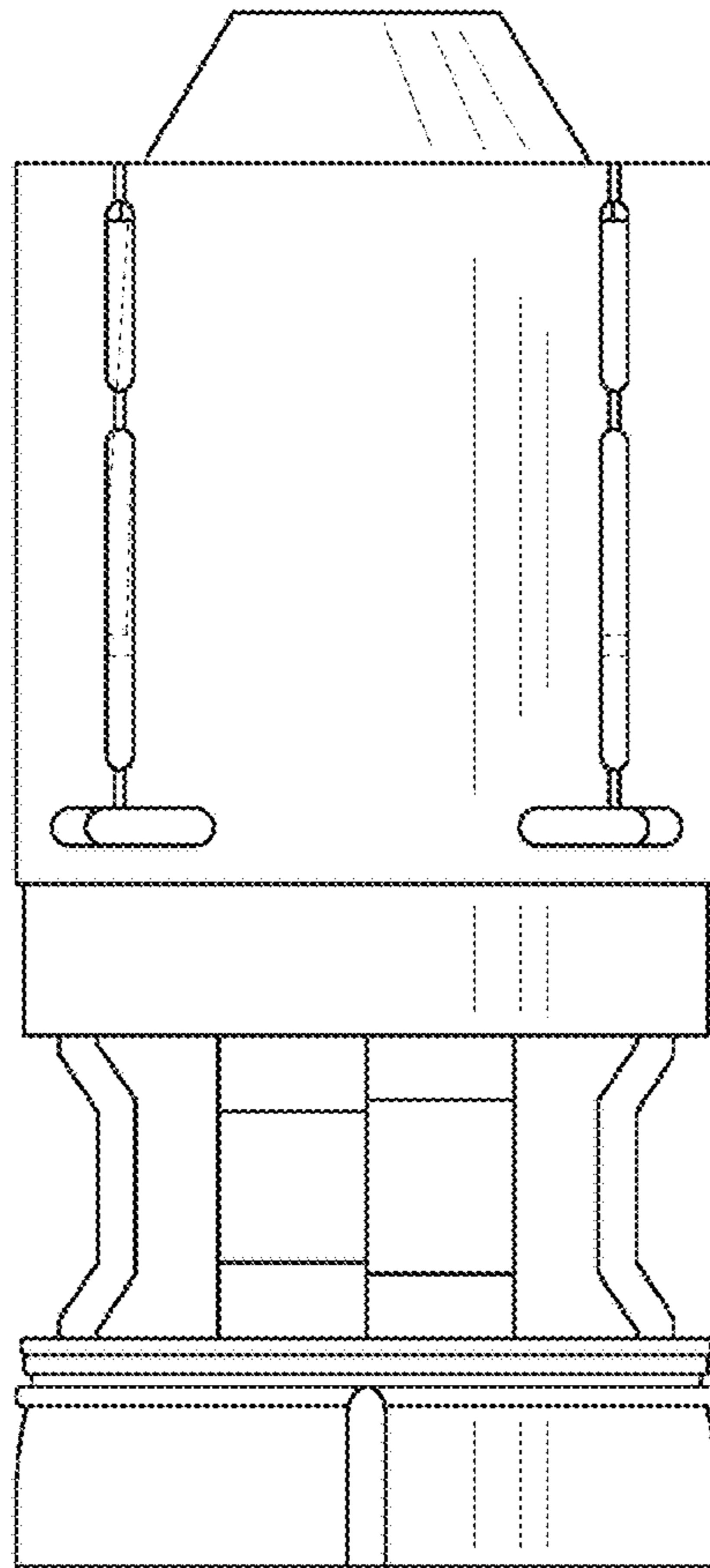


Fig. 2

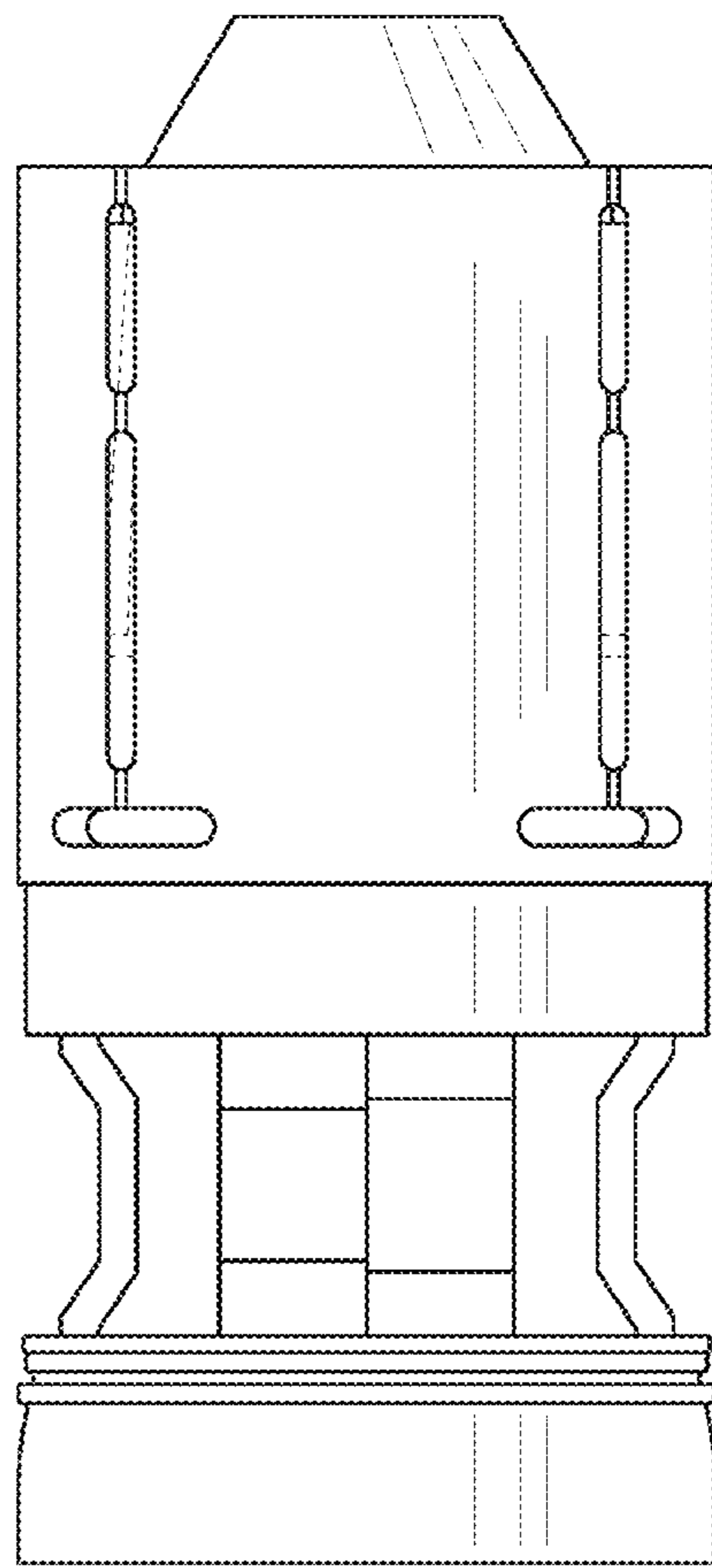


Fig. 3

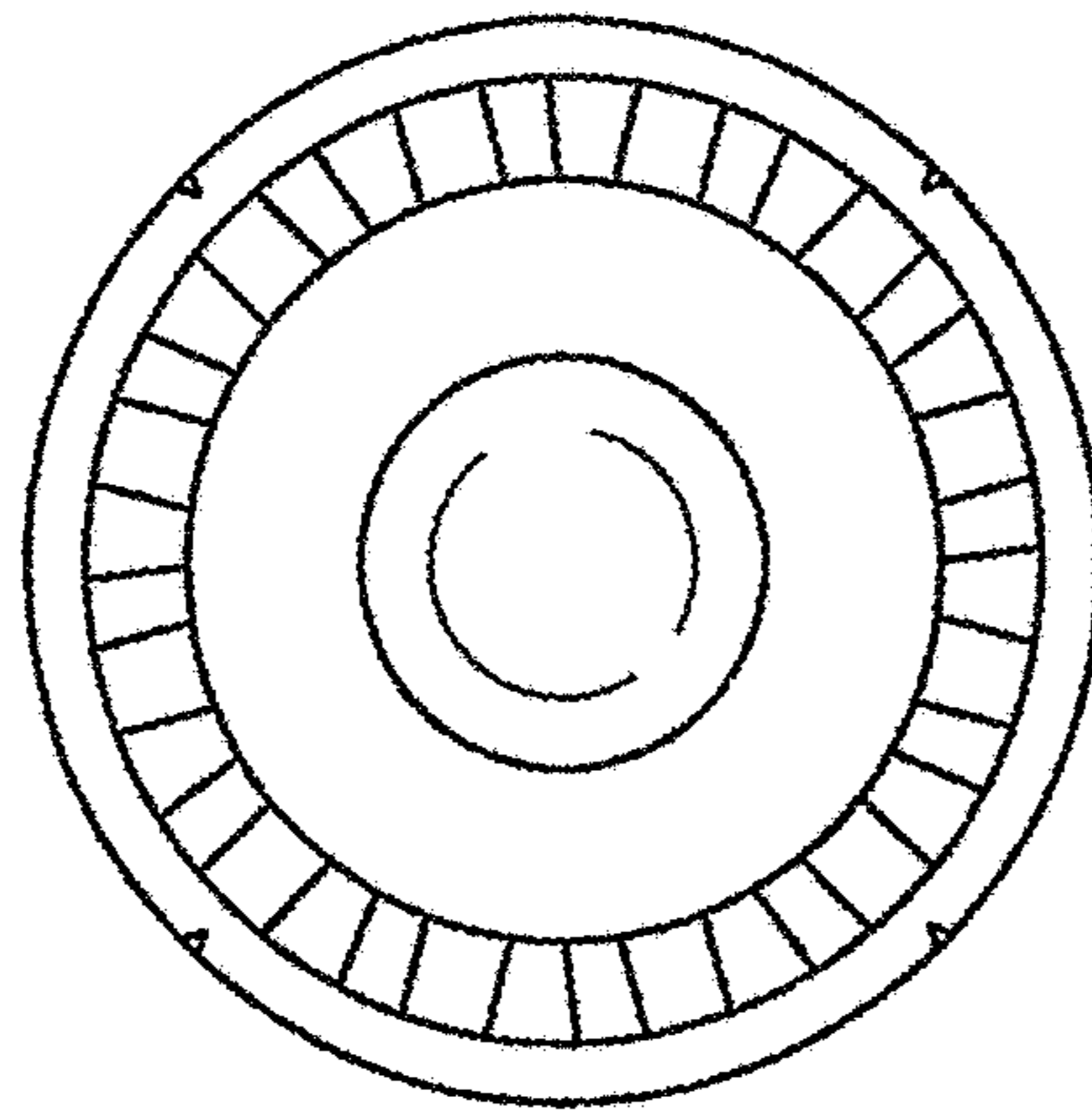


Fig. 4

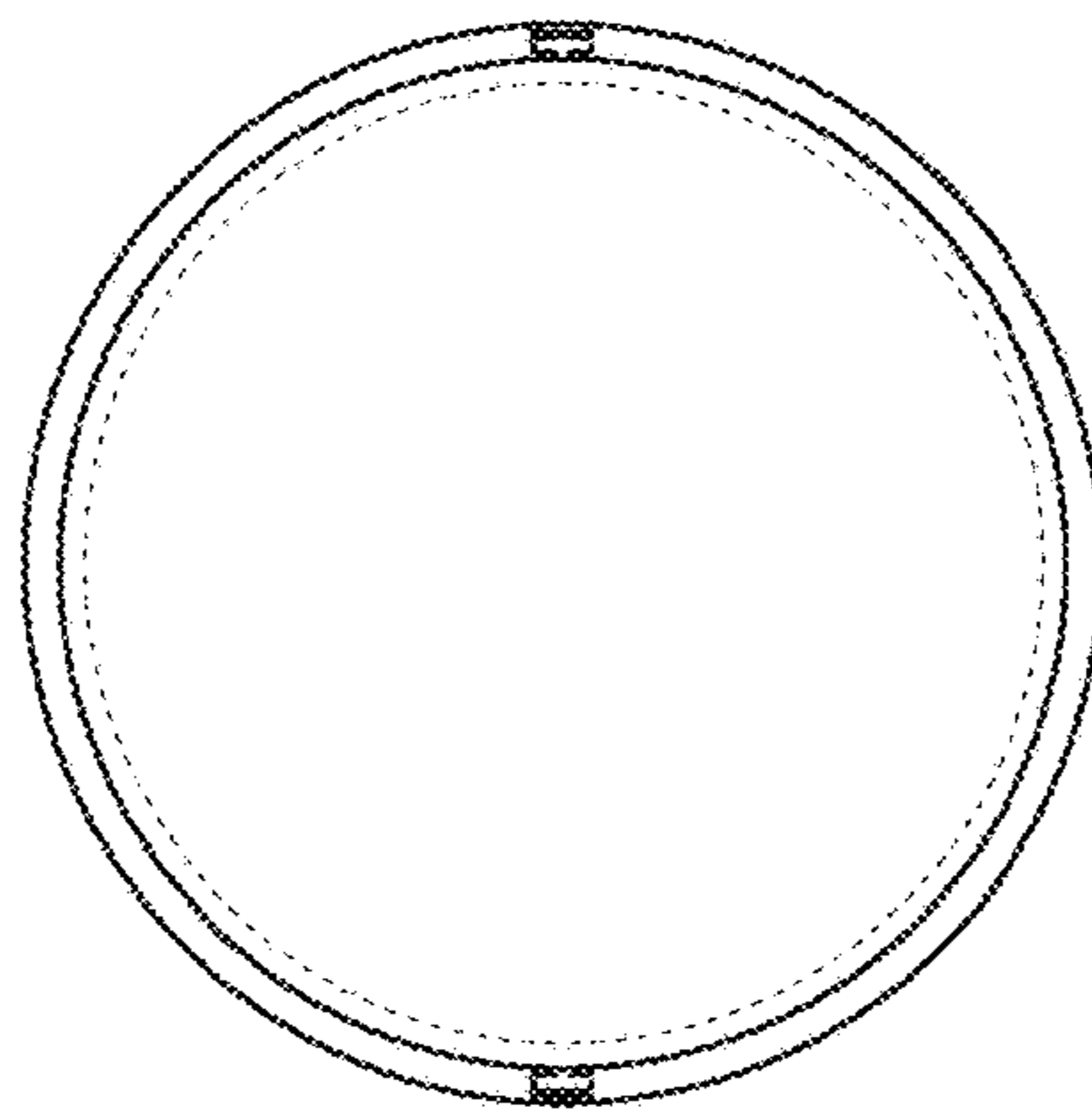


Fig. 5