



US00D866699S

(12) **United States Design Patent**
Misner

(10) **Patent No.:** **US D866,699 S**
(45) **Date of Patent:** **** Nov. 12, 2019**

- (54) **FLETCHING**
- (71) Applicant: **BOHNING COMPANY, LTD**, Lake City, MI (US)
- (72) Inventor: **Gregory R Misner**, Houghton Lake, MI (US)
- (73) Assignee: **BOHNING COMPANY, LTD**, Lake City, MI (US)
- (**) Term: **15 Years**
- (21) Appl. No.: **29/591,752**
- (22) Filed: **Jan. 23, 2017**
- (51) **LOC (12) Cl.** **22-01**
- (52) **U.S. Cl.**
USPC **D22/107; D22/115**
- (58) **Field of Classification Search**
USPC D22/100, 101, 102, 103, 104, 105, 106, D22/107, 108, 109, 110, 111, 115, 116, D22/199; D21/300, 301, 302, 306, 334, D21/335, 443, 571, 573-575, 746
CPC F41C 23/14; F41C 23/20; F41C 23/04; F41C 23/00; F41C 23/10; F41C 27/00; F41C 7/00; F41C 23/06; F41C 3/00; F41B 5/10; F41B 5/14; F41B 5/0094; F41B 5/1469; F41B 5/00
See application file for complete search history.

(56) **References Cited**

U.S. PATENT DOCUMENTS

- 5,024,448 A * 6/1991 Barrie F42B 6/06
473/586
- 5,443,273 A * 8/1995 Lovorn F42B 6/06
269/38
- 6,142,896 A * 11/2000 Simo F42B 6/06
473/586
- D449,090 S * 10/2001 DelMonte D22/107
- D465,541 S * 11/2002 Surrusco D22/115

- 7,074,143 B2 * 7/2006 Czemske F42B 6/06
473/586
- D599,874 S * 9/2009 Klein D22/107
- D606,615 S * 12/2009 Andrews D22/107
- D612,444 S * 3/2010 Klein D22/107
- 8,038,552 B2 * 10/2011 Song F42B 6/06
473/586
- 8,388,474 B1 * 3/2013 Griffith F42B 6/06
473/586
- 8,485,923 B2 * 7/2013 Kozlik F42B 6/06
473/586

(Continued)

OTHER PUBLICATIONS

“Arrow Fletching And F.O.C. Balance” [online]. Jon Henry. [Published on Mar. 20, 2011]. Retrieved from the Internet: <<https://www.longrangehunting.com/articles/arrow-fletching-and-f-o-c-balance.482/>>.*

(Continued)

Primary Examiner — Khawaja Anwar
Assistant Examiner — Mojtaba Tehrani
(74) *Attorney, Agent, or Firm* — Warner Norcross + Judd, LLP

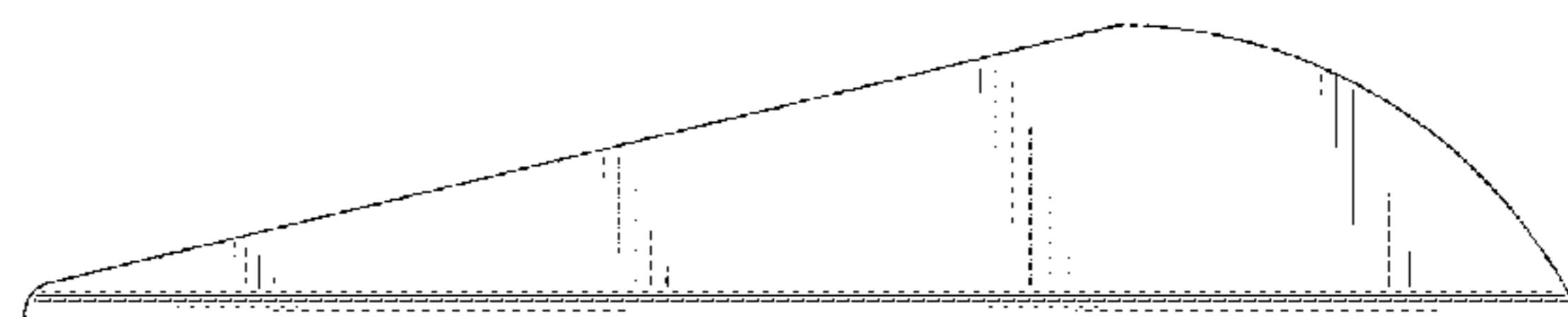
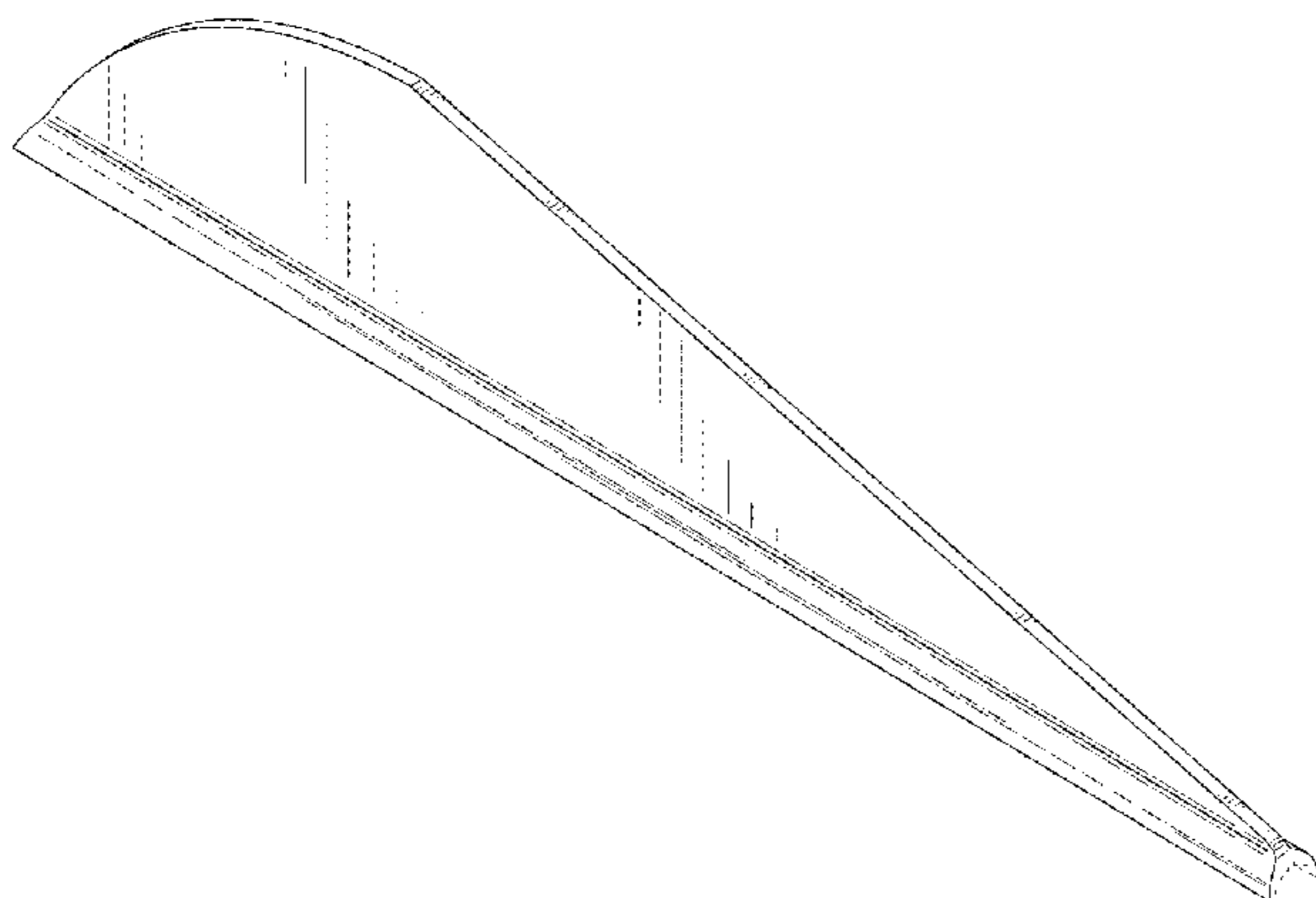
(57) **CLAIM**

The ornamental design for a fletching, as shown and described.

DESCRIPTION

FIG. 1 is a top perspective view of the fletching showing my new design;
FIG. 2 is a top plan view thereof;
FIG. 3 is a left side elevation view thereof; the right side view being a mirror image thereof;
FIG. 4 is a bottom elevation view thereof;
FIG. 5 is a rear elevation view thereof; and,
FIG. 6 is a front elevation view thereof.
FIGS. 1-6 show features in broken lines that form no part of the claimed design.

1 Claim, 2 Drawing Sheets



(56)

References Cited

U.S. PATENT DOCUMENTS

8,523,718 B1 * 9/2013 Kuhn F42B 6/06
473/586
8,602,926 B2 * 12/2013 Griffith F42B 6/06
473/585
D716,901 S * 11/2014 Billsby D22/107
9,039,550 B1 * 5/2015 Broberg F42B 6/06
473/586
9,250,047 B2 * 2/2016 Song F42B 6/06
D788,249 S * 5/2017 Kim D22/107
D788,250 S * 5/2017 Kim D22/107
D833,559 S * 11/2018 Kim D22/107
2007/0173359 A1 * 7/2007 Mowery F42B 6/06
473/578
2009/0186723 A1 * 7/2009 Andrews F42B 6/06
473/586
2014/0004983 A1 * 1/2014 DeLap F42B 6/06
473/586

OTHER PUBLICATIONS

“Fletching With Feathers Vs Vanes” [online]. advancecompoundbow.com. [Published on Sep. 25, 2017]. Retrieved from the Internet: <<http://advancecompoundbow.com/fletching-with-feathers-vs-vanes/>>.*

* cited by examiner

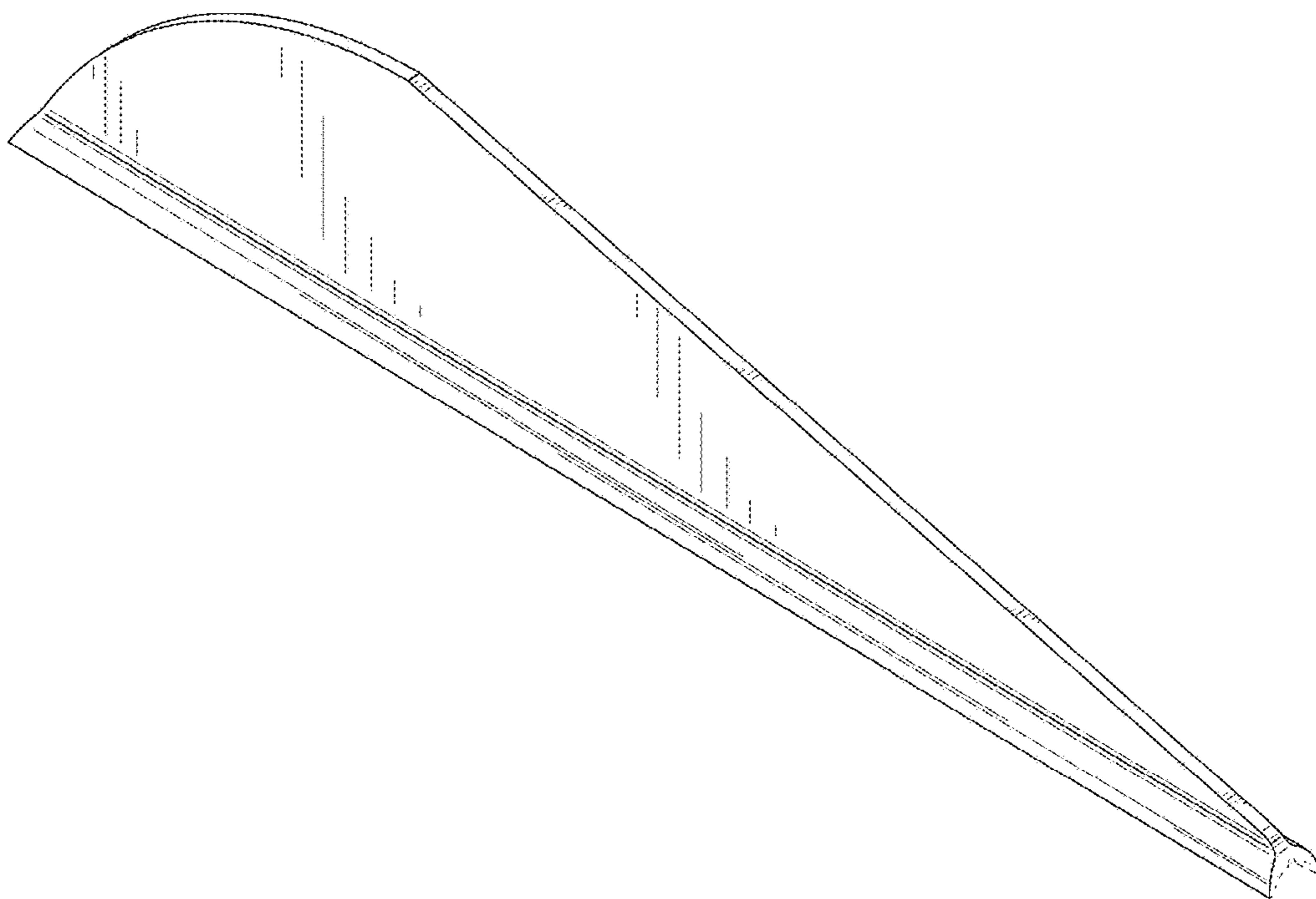


Fig. 1

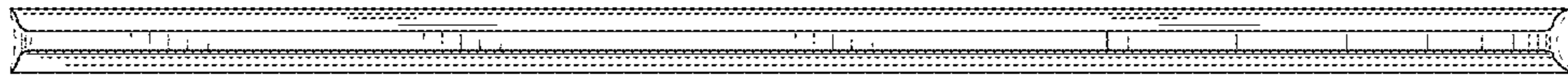


Fig. 2

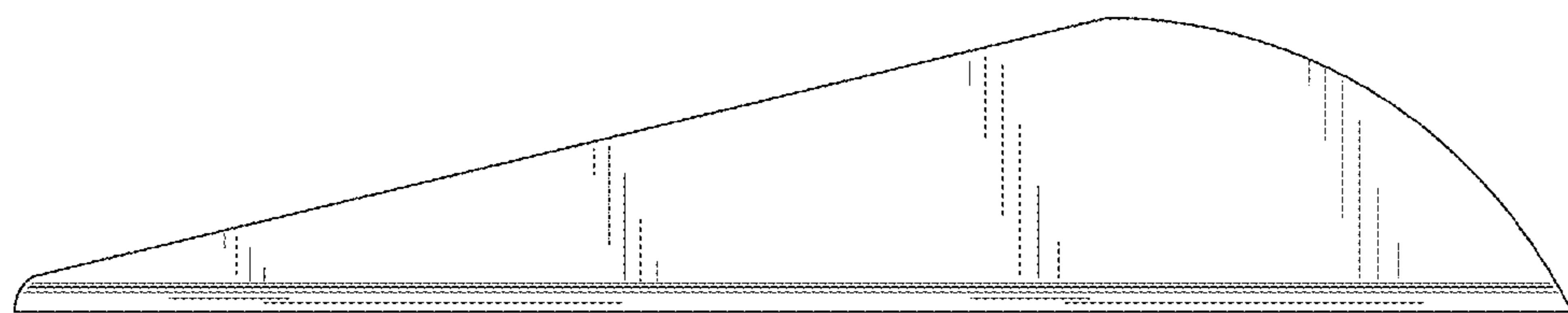


Fig. 3

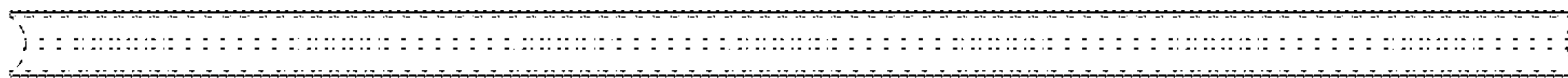


Fig. 4



Fig. 5

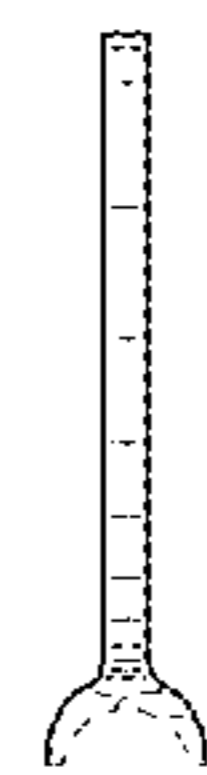


Fig. 6