

US00D86698S

(12) **United States Design Patent**  
**Wu**

(10) **Patent No.:** **US D866,698 S**

(45) **Date of Patent:** **\*\* Nov. 12, 2019**

- (54) **INFLATABLE TRAMPOLINE**
- (71) Applicant: **Guangzhou Channal Inflatable Co., Ltd.**, Guangzhou, Guangdong (CN)
- (72) Inventor: **Wangjun Wu**, Guangdong (CN)
- (73) Assignee: **Guangzhou Channal Inflatable Co., Ltd.**, Guangzhou (CN)
- (\*\*) Term: **15 Years**
- (21) Appl. No.: **29/656,841**
- (22) Filed: **Jul. 17, 2018**
- (51) **LOC (12) Cl.** ..... **21-03**
- (52) **U.S. Cl.**  
USPC ..... **D21/818; D21/835**
- (58) **Field of Classification Search**  
USPC ..... D21/811, 814, 818-822, 826, 835  
CPC . A63G 21/00-22; A63G 31/007; A63G 31/12  
See application file for complete search history.

- D556,287 S \* 11/2007 Robinson ..... D21/819
- D556,288 S \* 11/2007 Robinson ..... D21/815
- 7,300,354 B2 \* 11/2007 Field ..... A63G 31/12  
472/117
- D557,368 S \* 12/2007 Berenson ..... D21/818
- D557,369 S \* 12/2007 Robinson ..... D21/818
- D595,801 S \* 7/2009 Boulton ..... D21/819
- D597,163 S \* 7/2009 Boulton ..... D21/819
- D597,624 S \* 8/2009 Boulton ..... D21/819
- D600,769 S \* 9/2009 Xiao ..... D21/820
- D600,770 S \* 9/2009 Xiao ..... D21/820
- 7,878,877 B2 \* 2/2011 Scherba ..... A63G 9/00  
446/220
- 7,976,396 B2 \* 7/2011 Boretskin ..... A63G 31/12  
472/134
- D730,470 S \* 5/2015 Chen ..... D21/819
- D823,418 S \* 7/2018 Bagumyan ..... D21/833

(Continued)

*Primary Examiner* — Mitchell I. Siegel

(57) **CLAIM**

The ornamental design for an inflatable trampoline, as shown and described.

**DESCRIPTION**

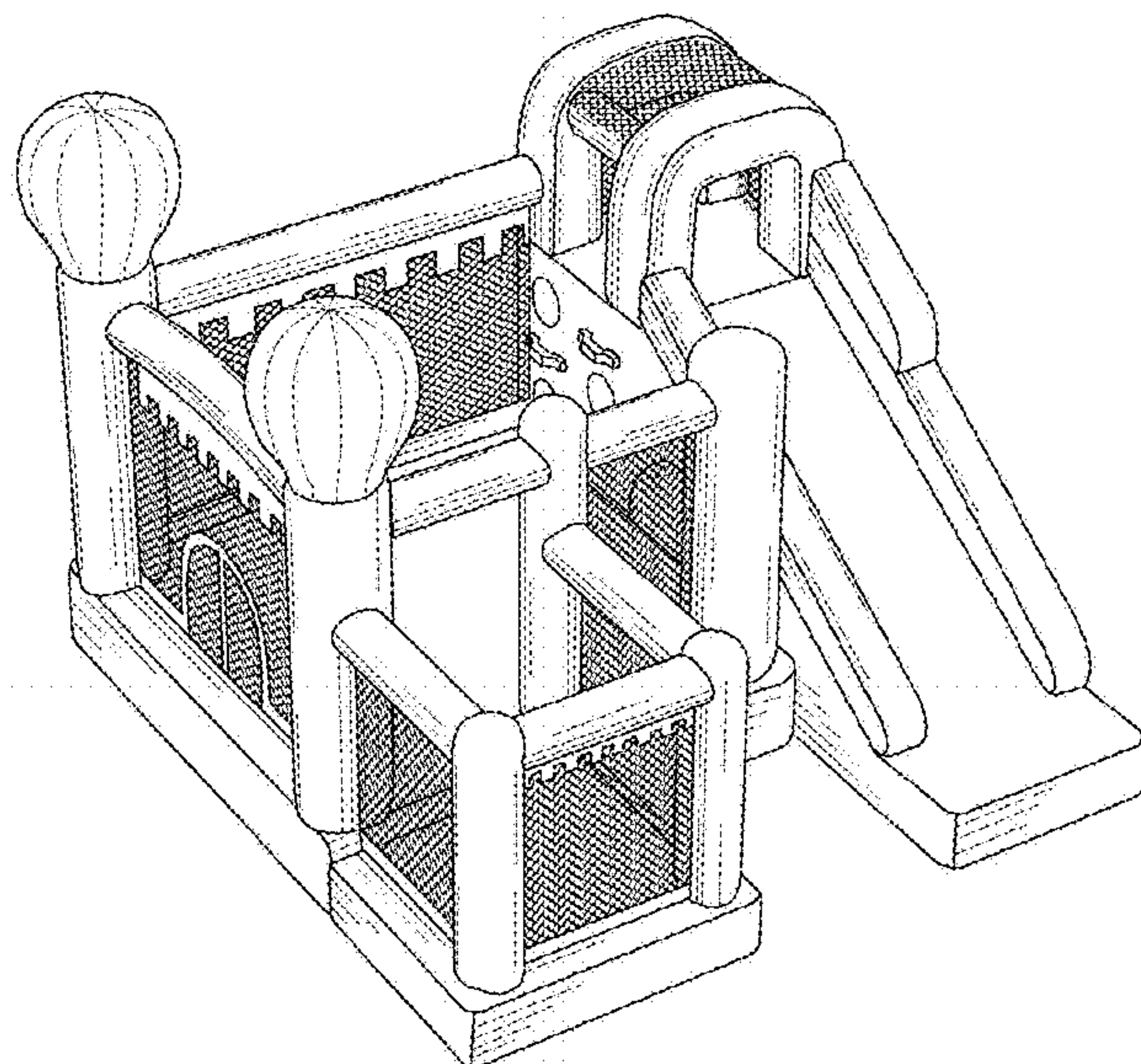
FIG. 1 is a front elevational view of an inflatable trampoline showing my new design;  
 FIG. 2 is a rear elevational view thereof;  
 FIG. 3 is a left side view thereof;  
 FIG. 4 is a right side view thereof;  
 FIG. 5 is a top plan view thereof;  
 FIG. 6 is a top, front and left side perspective view thereof;  
 FIG. 7 is a top, front and right side perspective view thereof;  
 FIG. 8 is a top, rear and left side perspective view thereof;  
 FIG. 9 is a top, rear and right side perspective view thereof;  
 and,  
 FIG. 10 is a bottom, rear and left side perspective view thereof.

**1 Claim, 10 Drawing Sheets**

(56) **References Cited**

**U.S. PATENT DOCUMENTS**

- D328,326 S \* 7/1992 Kuan ..... D21/818
- D340,965 S \* 11/1993 Lee ..... D21/818
- D437,023 S \* 1/2001 Gourchounian ..... D21/835
- D440,622 S \* 4/2001 Gourchounian ..... D21/820
- 6,406,377 B1 \* 6/2002 Demko ..... A63G 21/18  
472/116
- D460,141 S \* 7/2002 Gourchounian ..... D21/820
- D472,292 S \* 3/2003 Peterson ..... D21/818
- 6,558,264 B2 \* 5/2003 Gordon ..... A63G 21/18  
472/117
- 6,648,767 B1 \* 11/2003 Chen ..... A63G 21/18  
472/117
- D522,082 S \* 5/2006 Peterson ..... D21/818
- D540,413 S \* 4/2007 McKee ..... D21/818



(56)

**References Cited**

U.S. PATENT DOCUMENTS

D824,471 S \* 7/2018 Bagumyan ..... D21/818  
2007/0167246 A1\* 7/2007 McKee ..... A63G 21/00  
472/116

\* cited by examiner

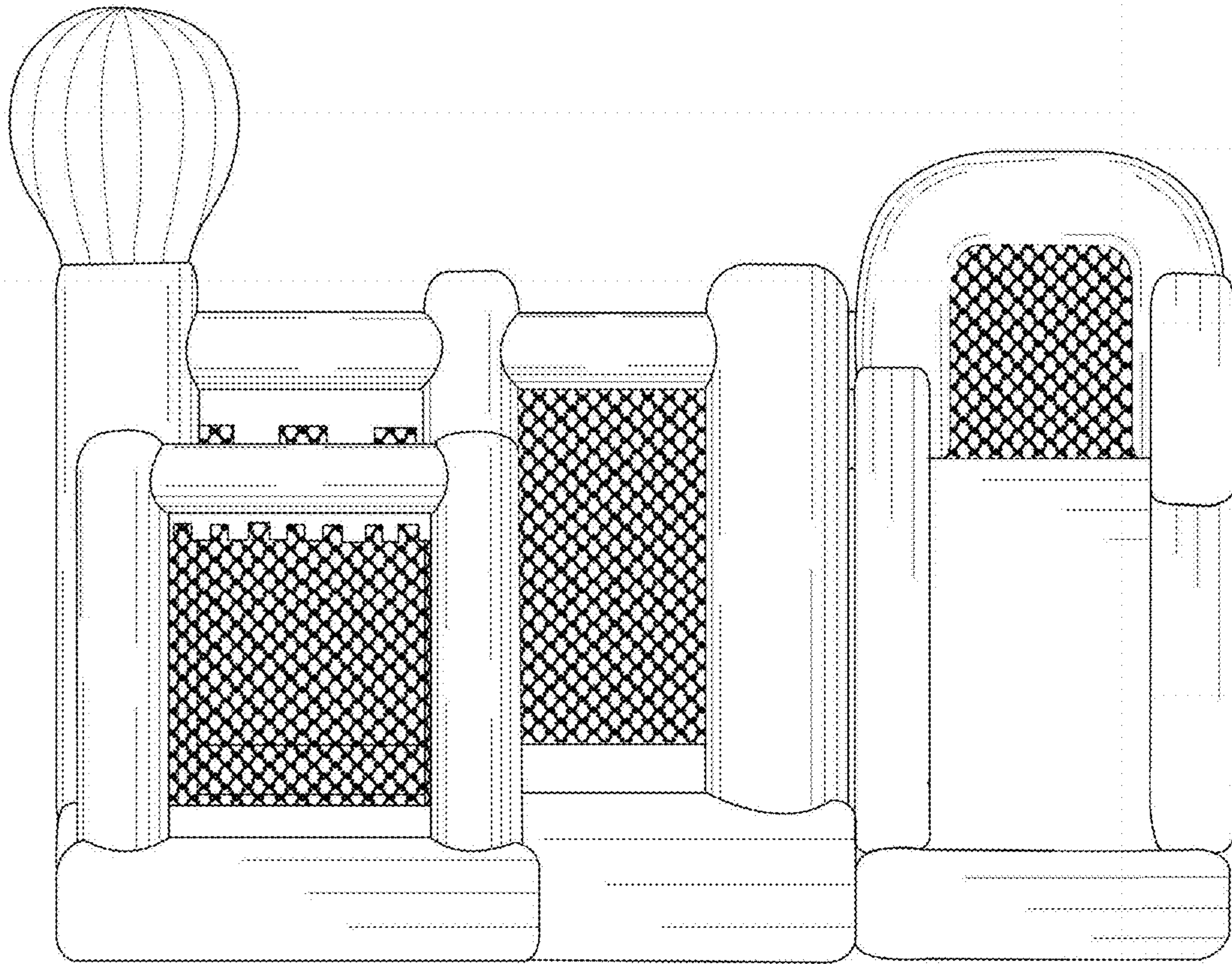


FIG.1



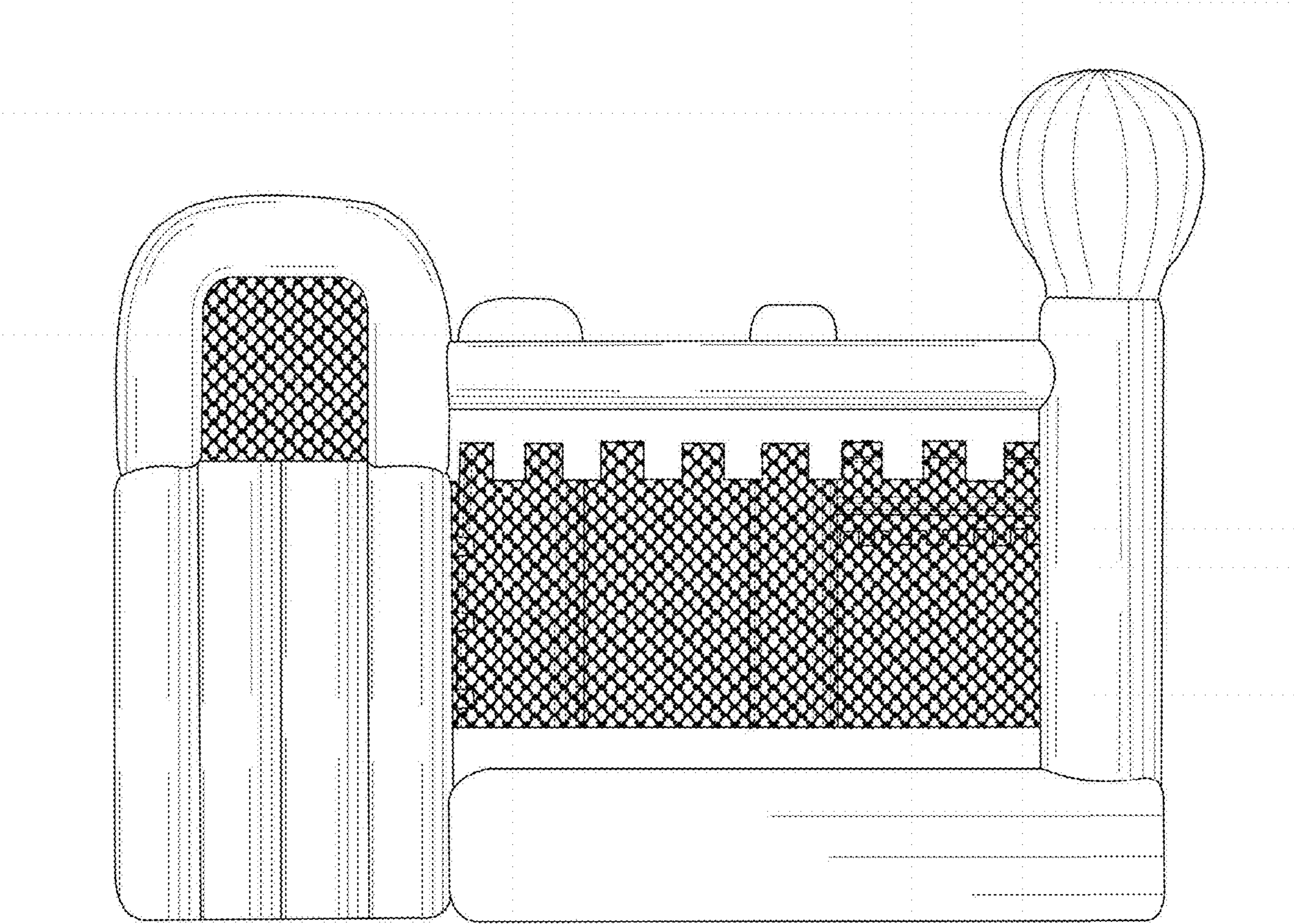


FIG.2

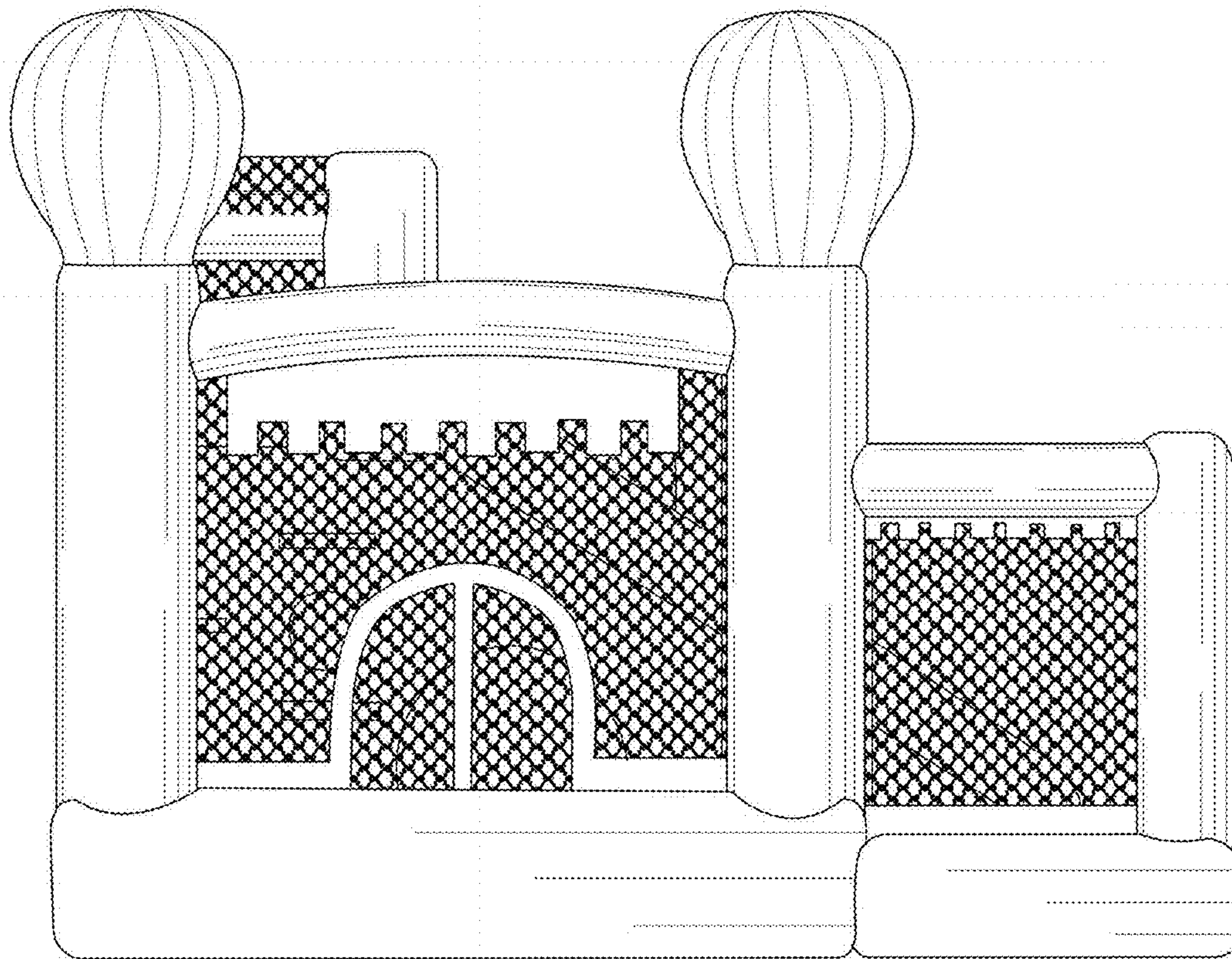


FIG.3

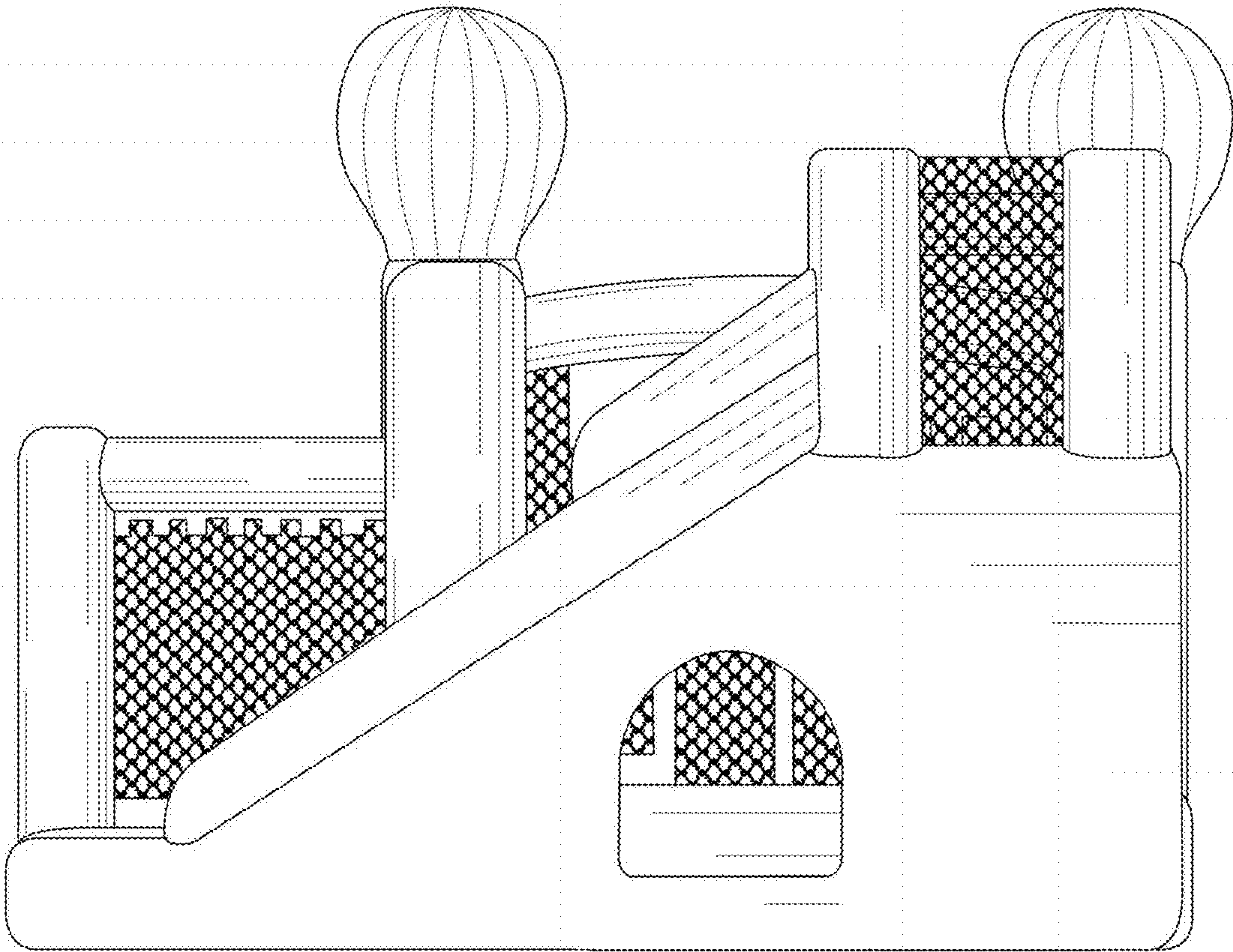


FIG.4



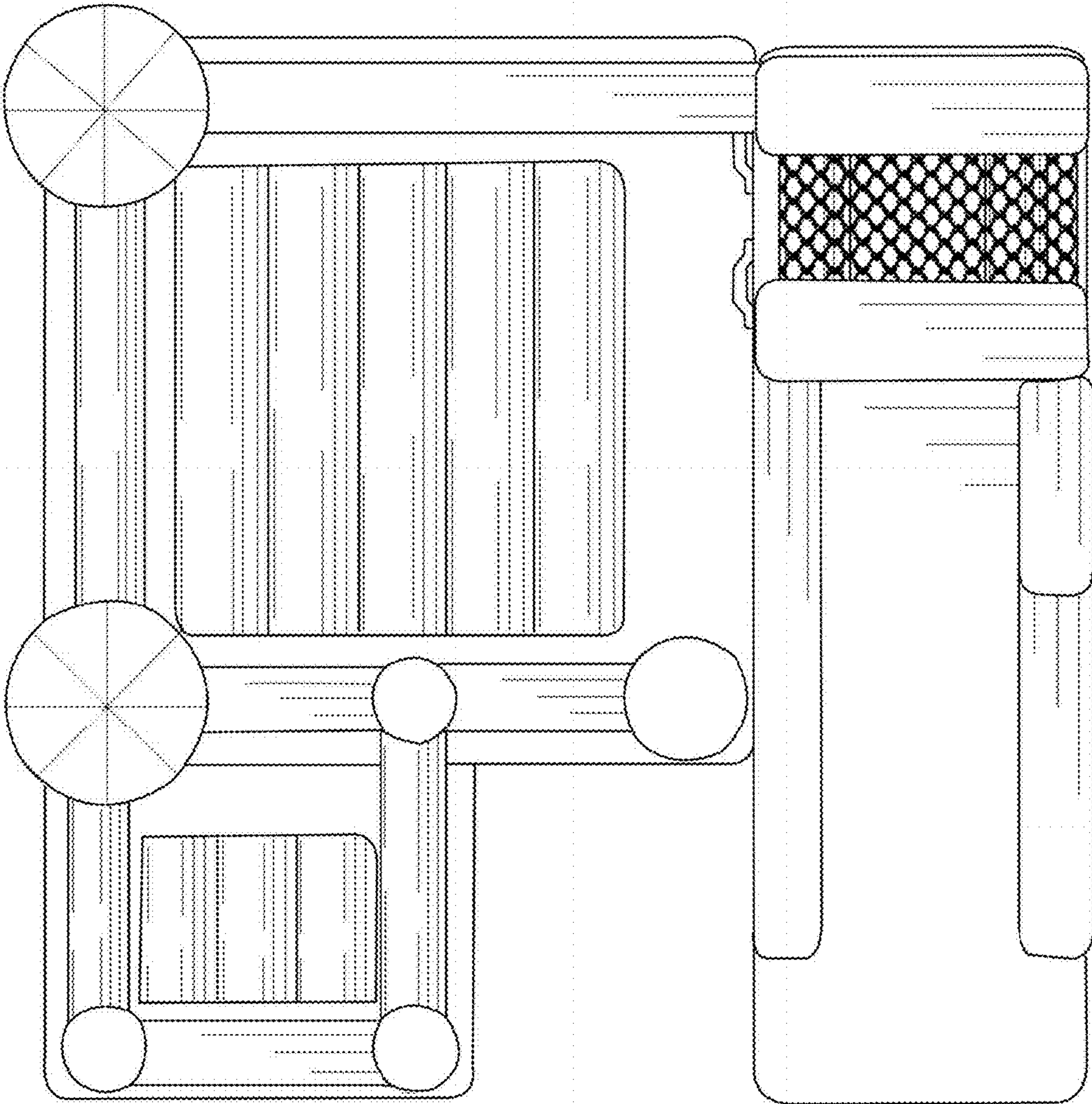


FIG.5

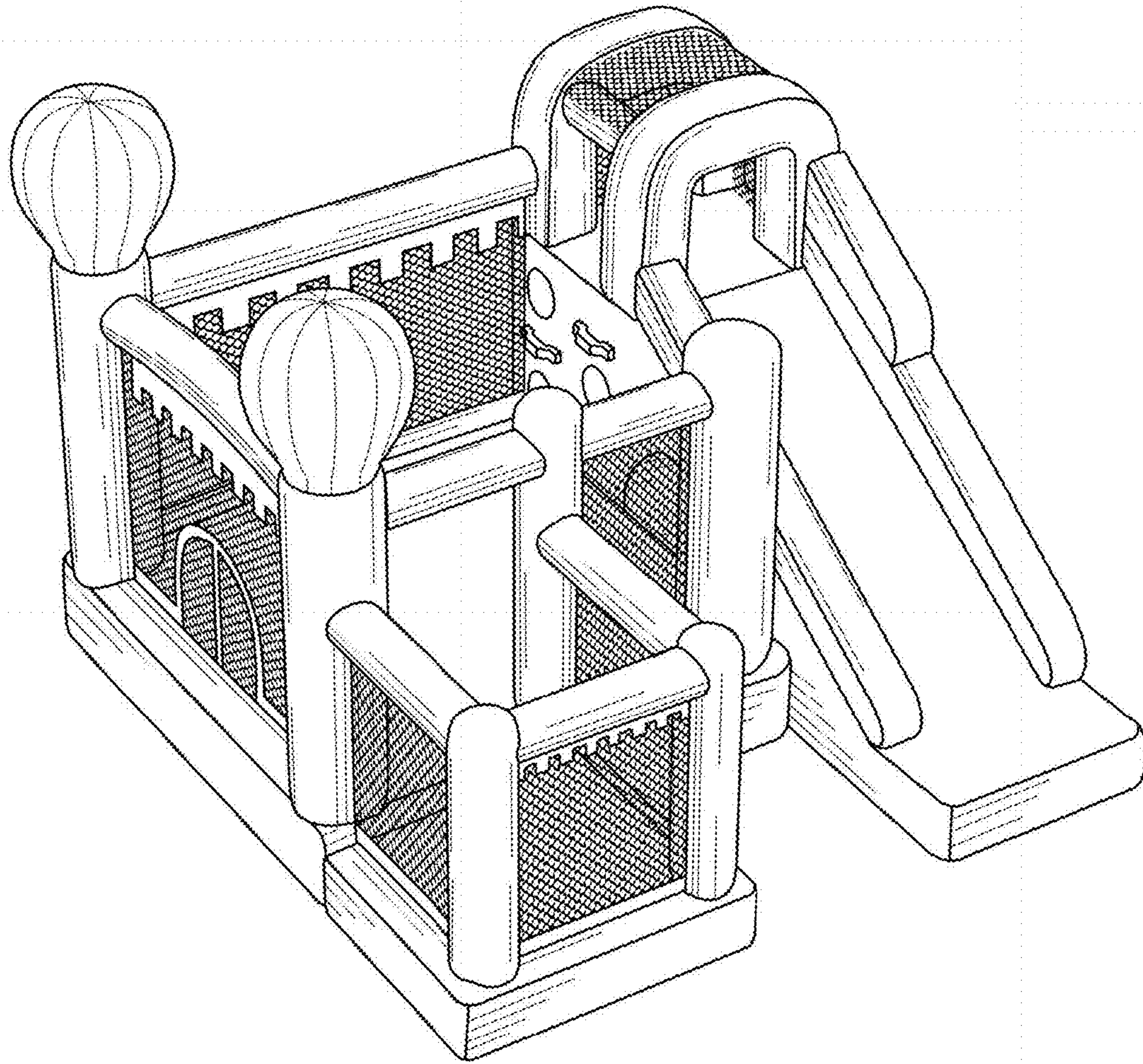


FIG.6



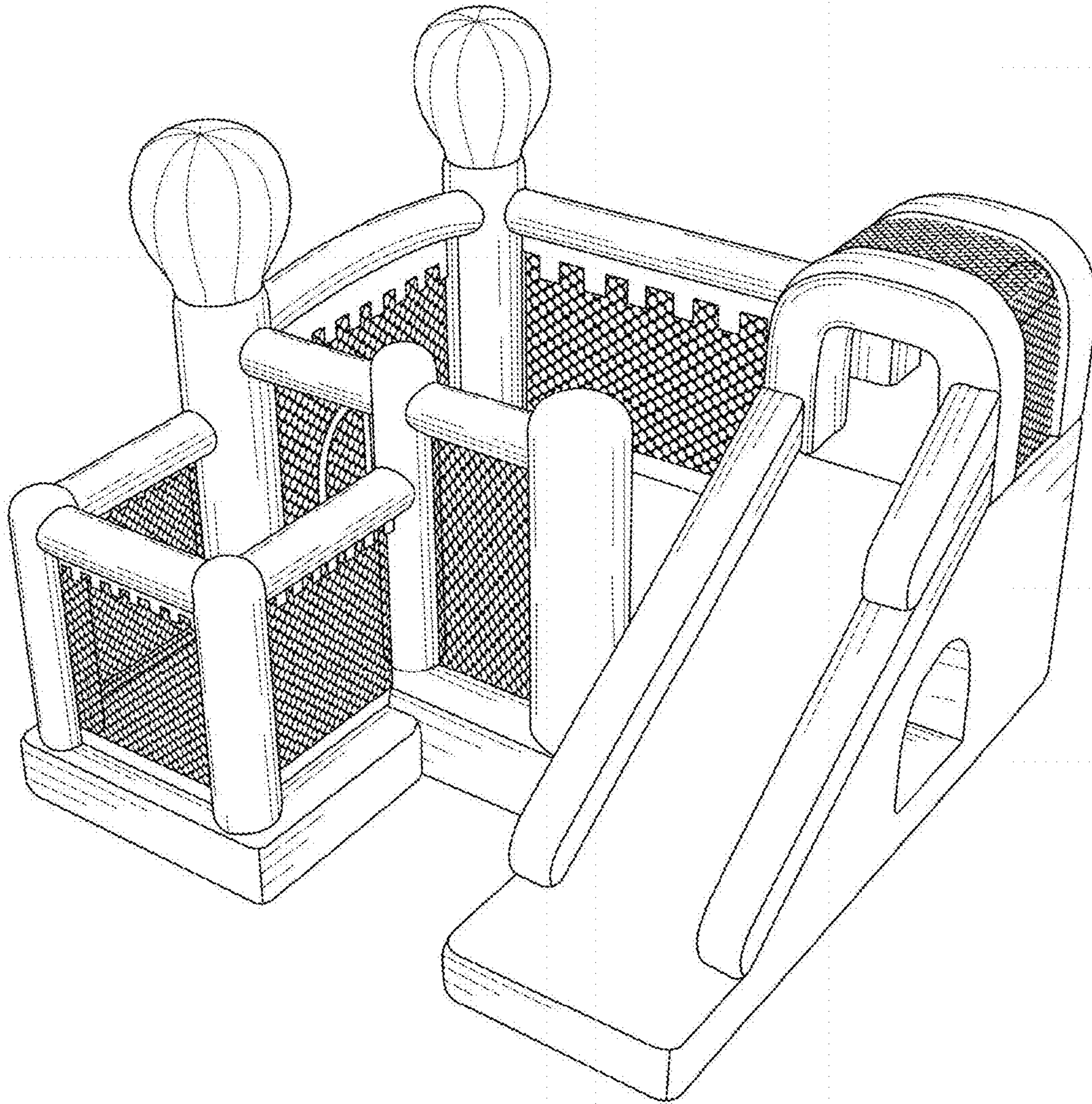


FIG.7

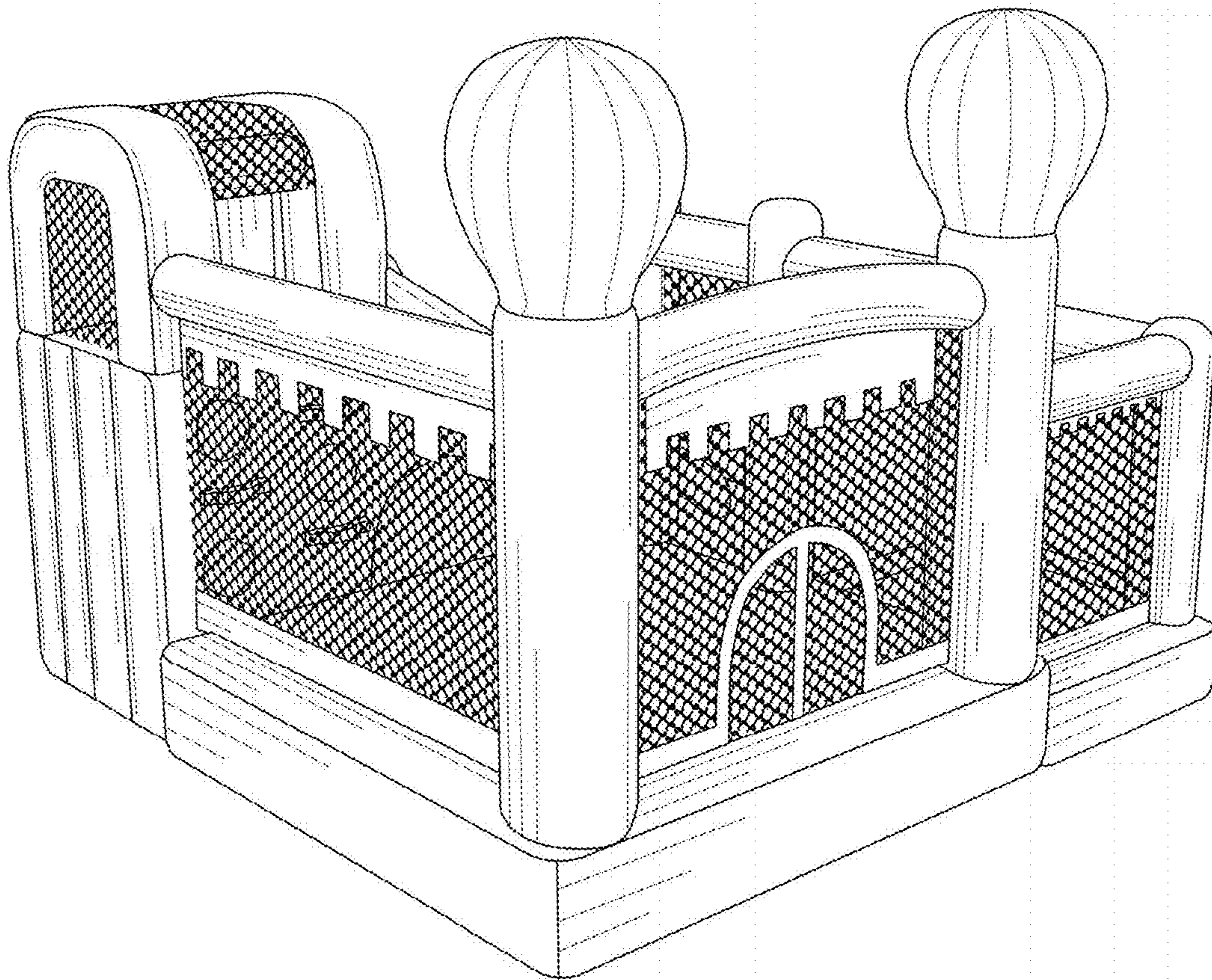


FIG.8



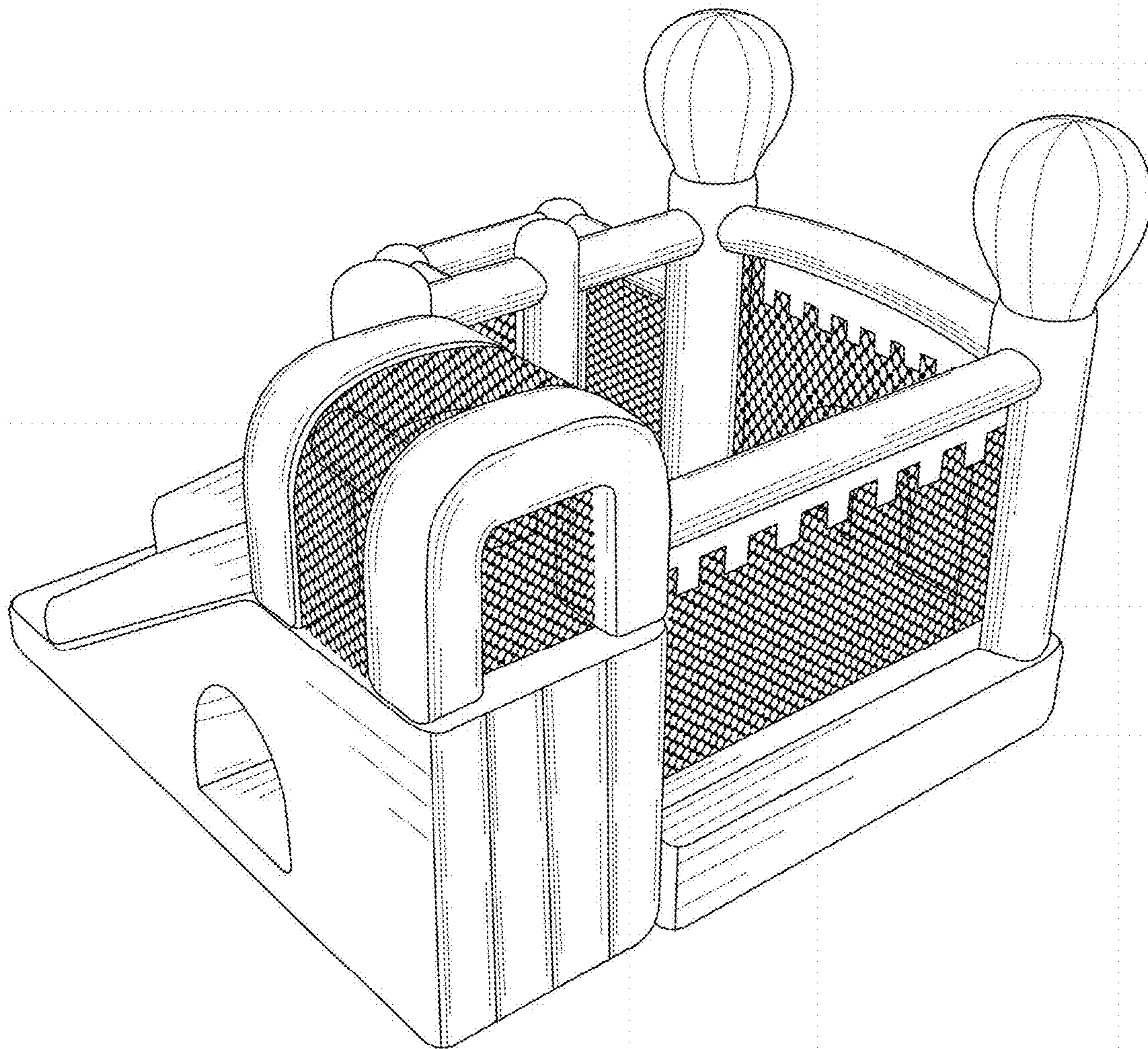


FIG.9

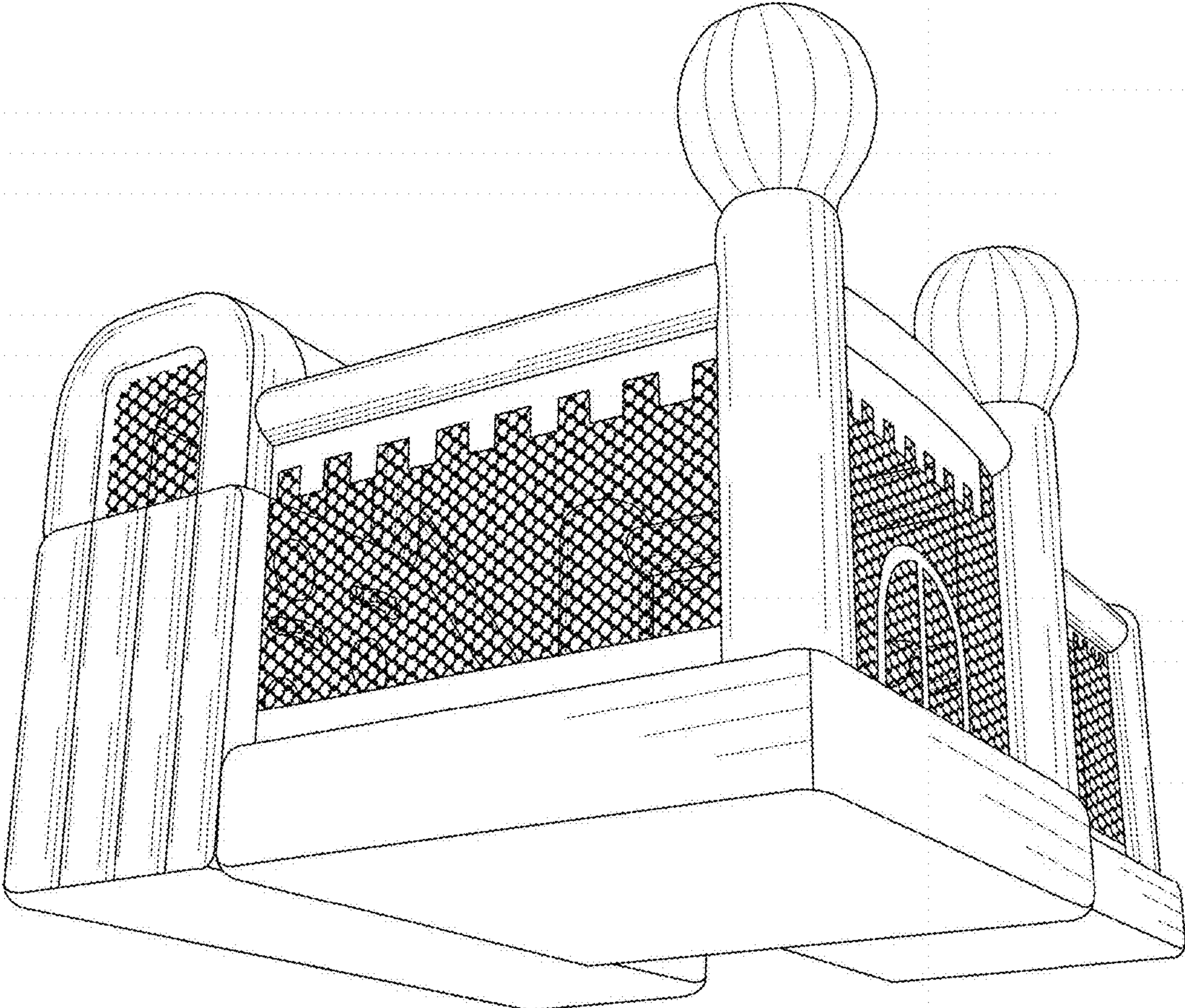


FIG.10