

US00D866694S

(12) **United States Design Patent**  
**Reninger**

(10) **Patent No.:** **US D866,694 S**

(45) **Date of Patent:** **\*\* Nov. 12, 2019**

(54) **DECONSTRUCTABLE THREE-PIECE SURFBOARD**

D351,636 S \* 10/1994 Newton ..... D21/769  
D502,240 S \* 2/2005 Hendrickson ..... D21/769  
D637,251 S \* 5/2011 Bradley ..... D21/769

(71) Applicant: **Aaron Reninger**, Merritt Island, FL (US)

\* cited by examiner

(72) Inventor: **Aaron Reninger**, Merritt Island, FL (US)

*Primary Examiner* — Zenia I Bennett

(74) *Attorney, Agent, or Firm* — Daniel C. Pierron; Widerman Malek, PL

(\*\*) Term: **15 Years**

(57) **CLAIM**

The ornamental design for a deconstructable three-piece surfboard, as shown and described.

(21) Appl. No.: **29/666,228**

**DESCRIPTION**

(22) Filed: **Oct. 11, 2018**

(51) **LOC (12) Cl.** ..... **21-02**

(52) **U.S. Cl.**  
USPC ..... **D21/769**

(58) **Field of Classification Search**  
USPC ..... D21/760, 761, 765, 766, 801, 803;  
D12/6  
CPC .. A63C 5/04; A63C 5/12; A63C 5/048; A63C  
5/128; A63C 17/017  
See application file for complete search history.

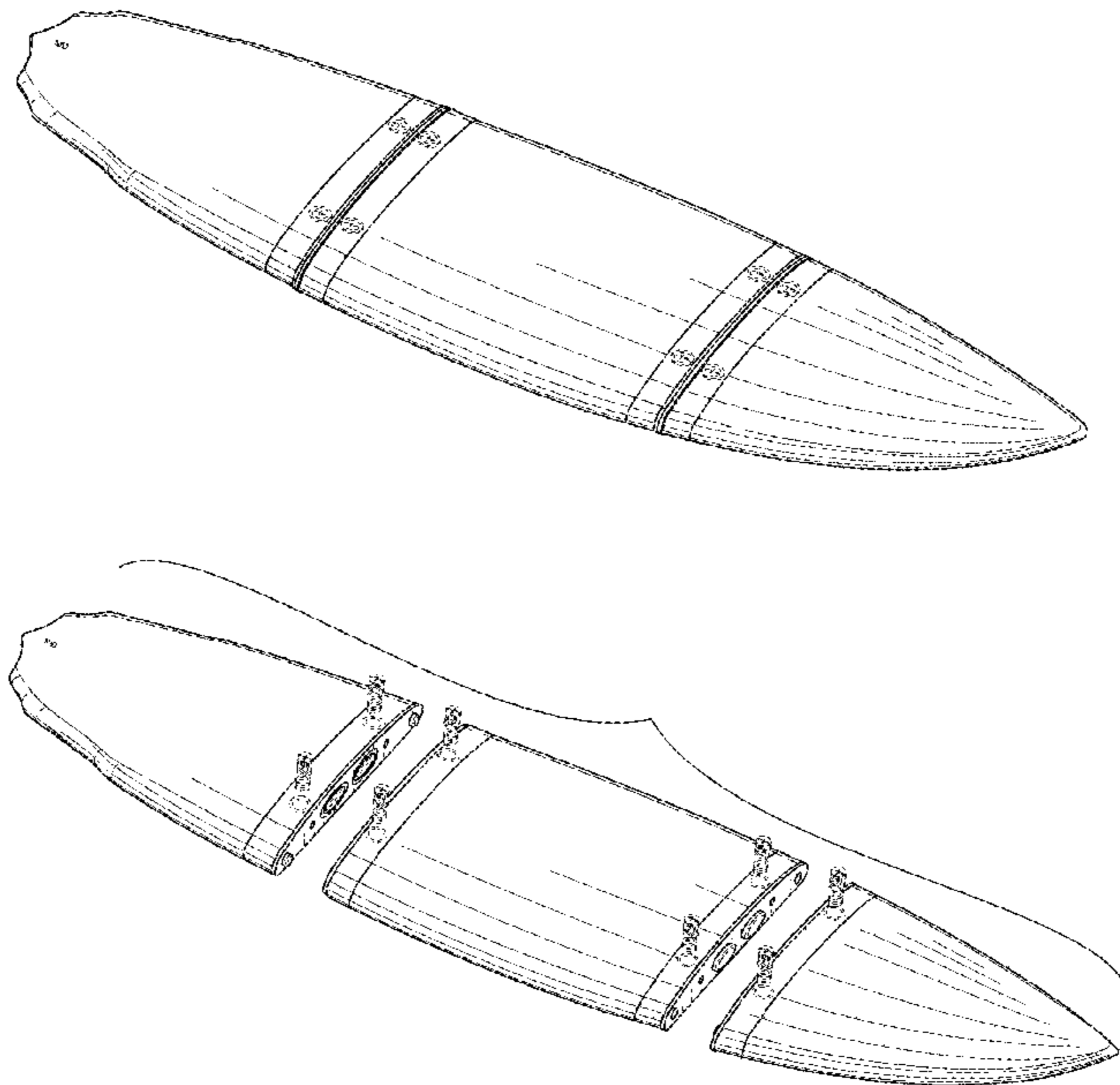
FIG. 1 is a perspective view of a deconstructable three-piece surfboard according to the present invention. FIG. 2 is a front elevation view of the deconstructable three-piece surfboard illustrated in FIG. 1. FIG. 3 is a rear elevation view of the deconstructable three-piece surfboard illustrated in FIG. 1. FIG. 4 is a right elevation view of the deconstructable three-piece surfboard illustrated in FIG. 1. FIG. 5 is a left elevation view of the deconstructable three-piece surfboard illustrated in FIG. 1. FIG. 6 is a top plan view of the deconstructable three-piece surfboard illustrated in FIG. 1. FIG. 7 is a bottom plan view of the deconstructable three-piece surfboard illustrated in FIG. 1. FIG. 8 is an exploded perspective view of the deconstructable three-piece surfboard illustrated in FIG. 1; and, FIG. 9 is another exploded perspective view from a different perspective of FIG. 8 of the deconstructable three-piece surfboard illustrated in FIG. 1. The broken lines depict portions of the deconstructable three-piece surfboard that form no part of the claimed invention.

(56) **References Cited**

**U.S. PATENT DOCUMENTS**

1,402,529 A \* 1/1922 Nichols ..... B63C 9/08  
441/74  
D204,431 S \* 4/1966 Glasglow ..... D21/769  
3,317,937 A \* 5/1967 Gallagher ..... B63B 35/7906  
441/74  
4,767,370 A \* 8/1988 Campbell ..... B63B 35/7906  
114/288  
D330,747 S \* 11/1992 Pia ..... D12/303  
D349,935 S \* 8/1994 Simonson ..... D21/769

**1 Claim, 6 Drawing Sheets**



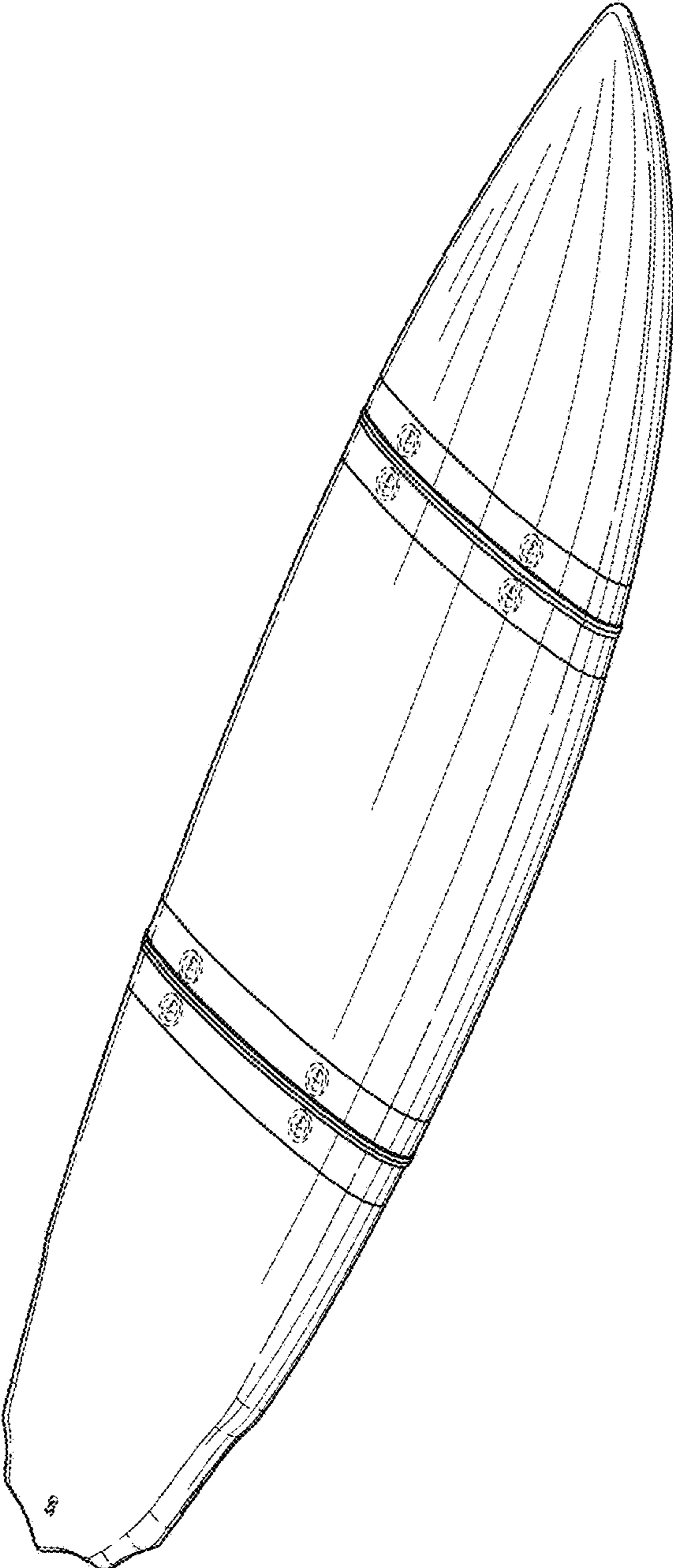


FIG. 1



FIG. 2

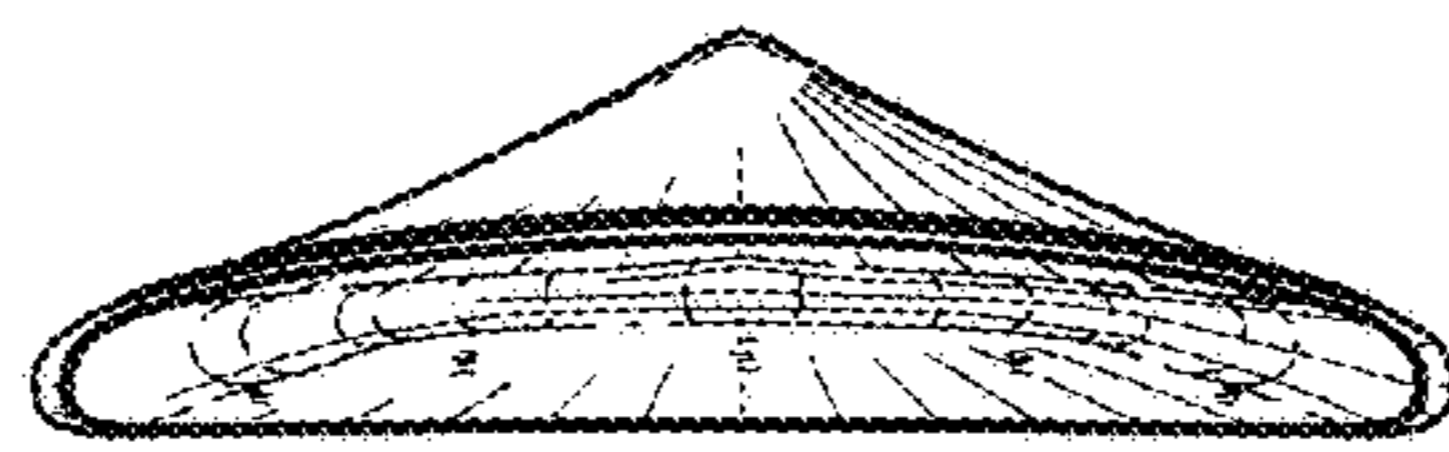


FIG. 3

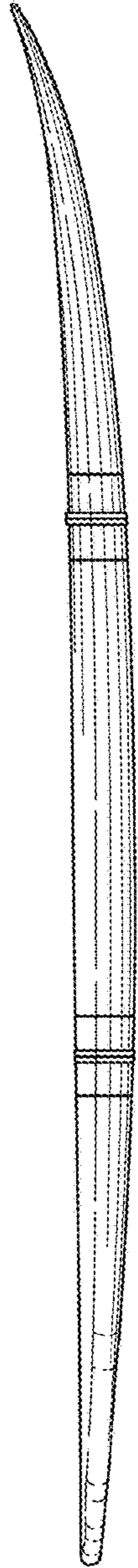


FIG. 4

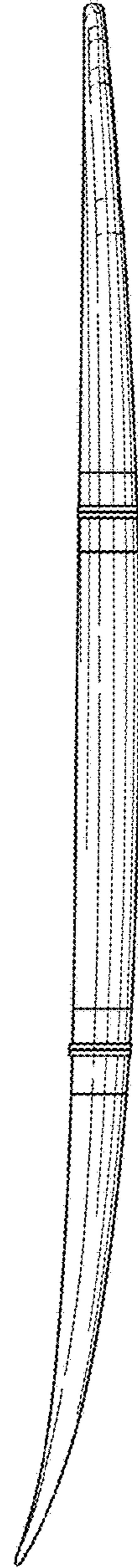


FIG. 5

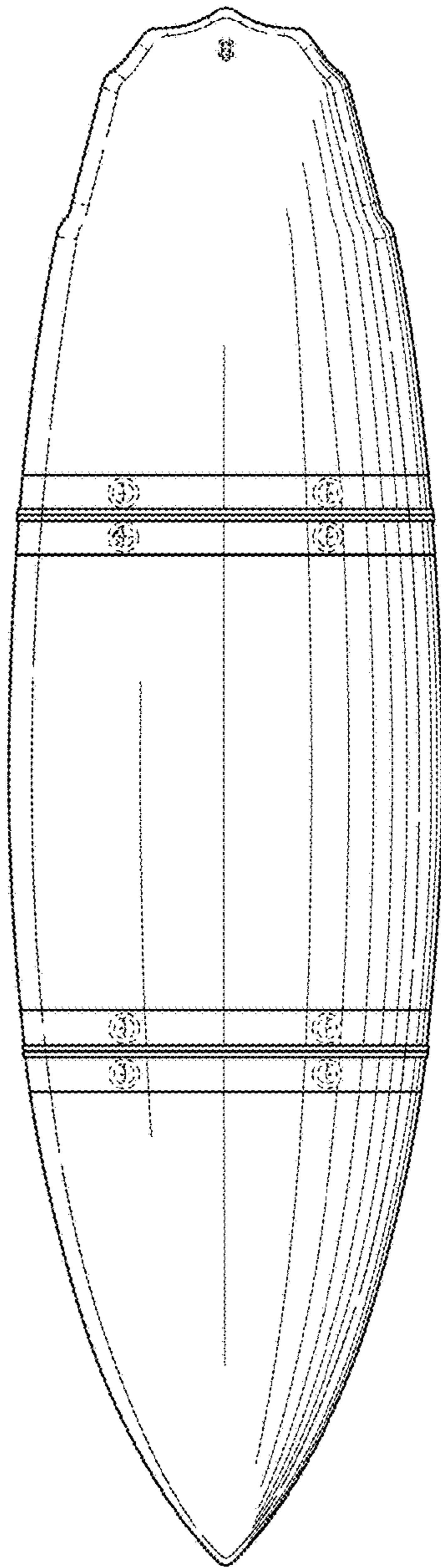


FIG. 6

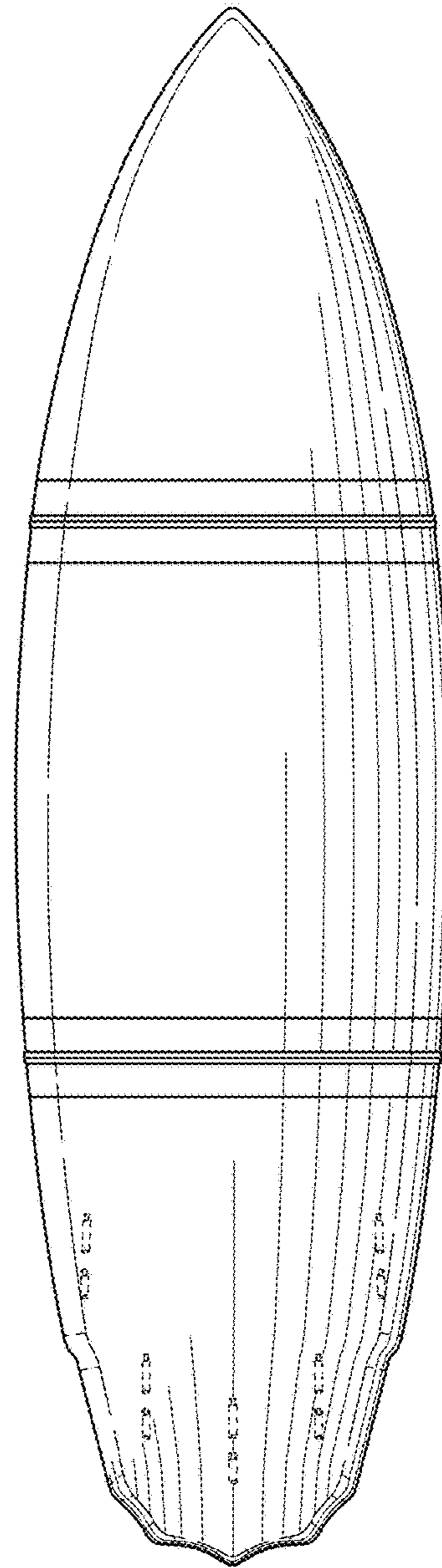


FIG. 7

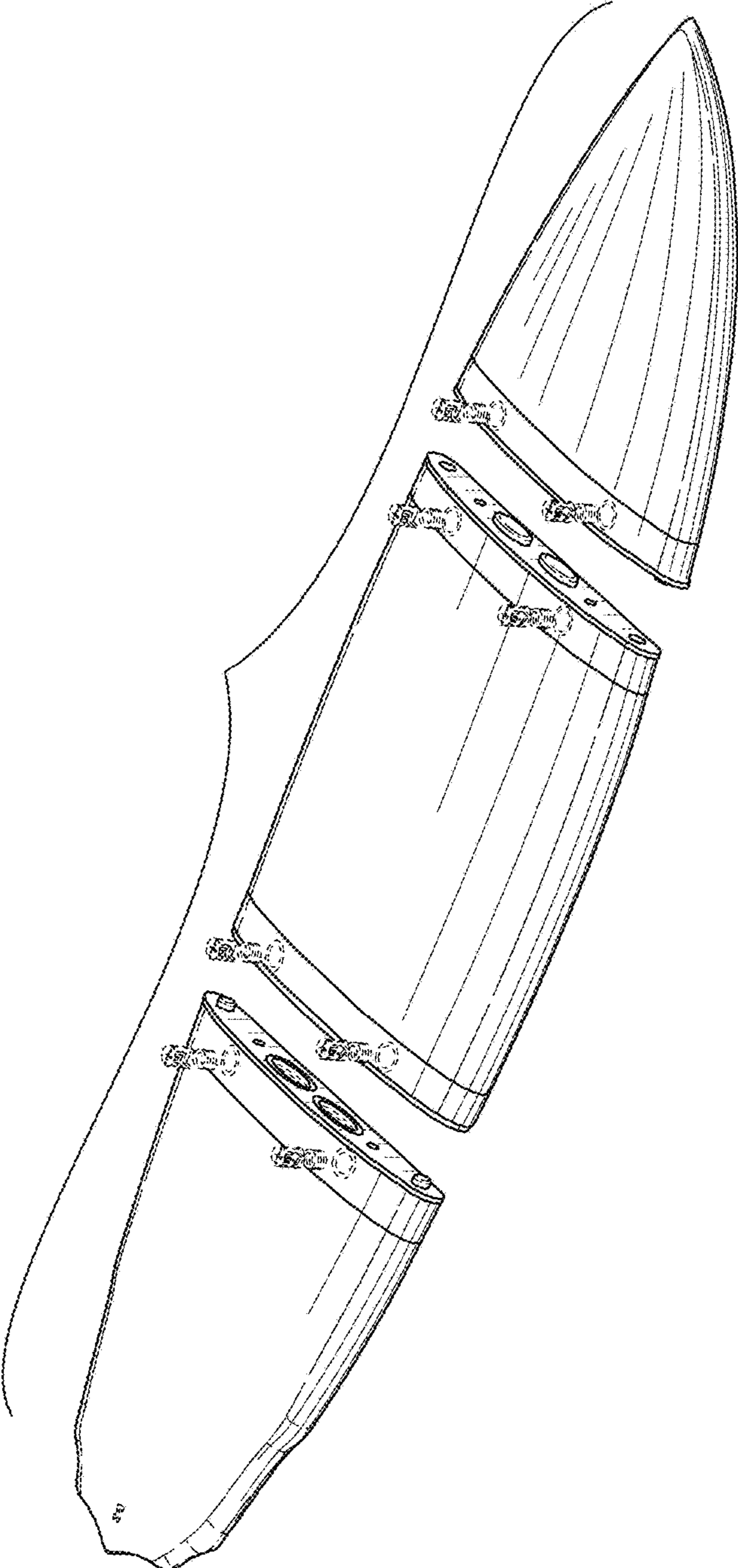


FIG. 8

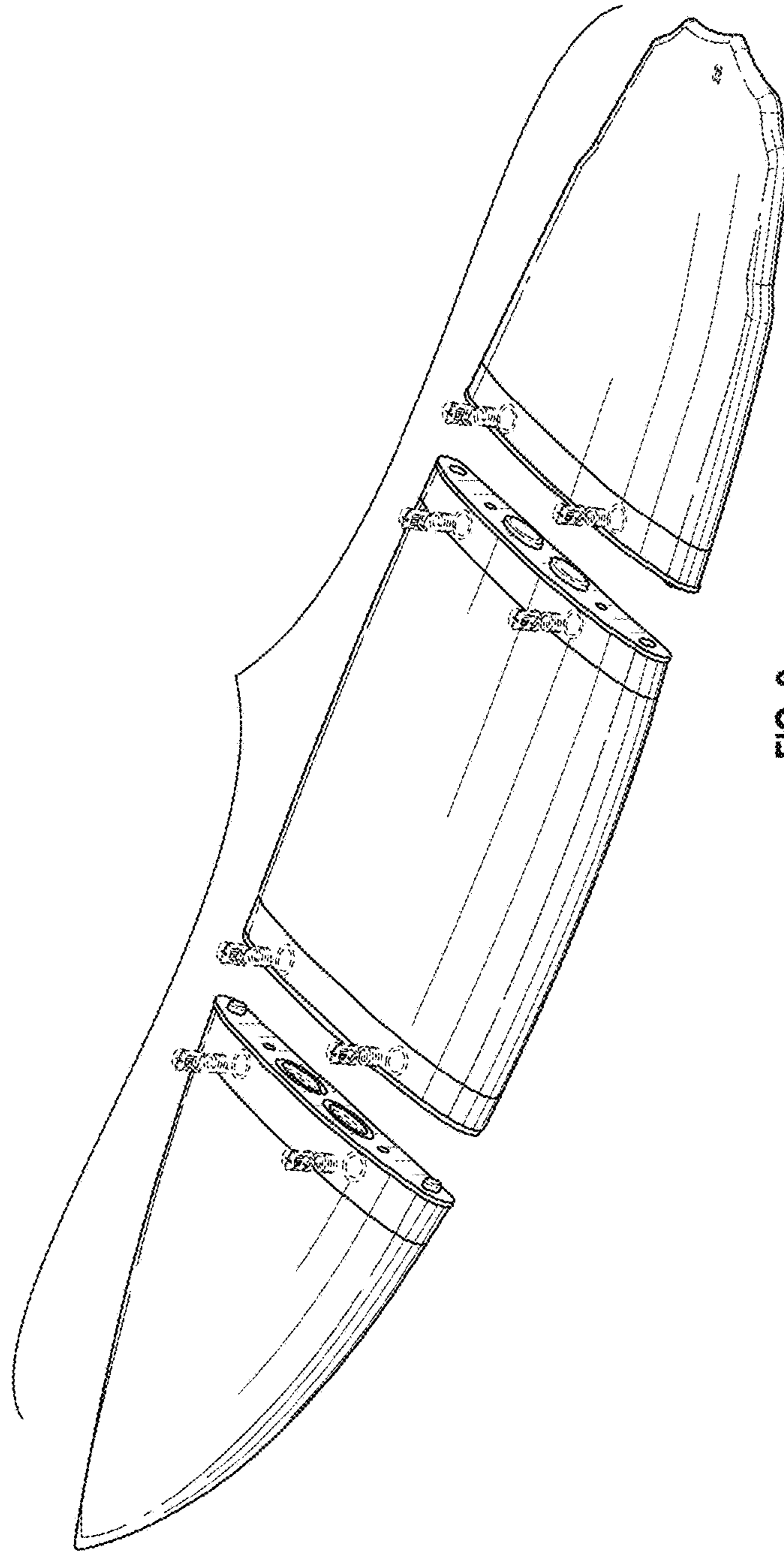


FIG. 9