



US00D866693S

(12) **United States Design Patent**
Brucker

(10) **Patent No.:** **US D866,693 S**

(45) **Date of Patent:** **** Nov. 12, 2019**

- (54) **WATER PROPULSION DEVICE**
- (71) Applicant: **Kenneth Brucker**, St. Petersburg, FL (US)
- (72) Inventor: **Kenneth Brucker**, St. Petersburg, FL (US)
- (**) Term: **15 Years**
- (21) Appl. No.: **29/592,187**
- (22) Filed: **Jan. 27, 2017**
- (51) **LOC (12) Cl.** **21-02**
- (52) **U.S. Cl.**
USPC **D21/760**; D21/766; D12/317
- (58) **Field of Classification Search**
USPC D21/539.542, 545, 451, 452, 760-769, D21/770; D12/317
CPC B63B 35/78; B63B 35/74
See application file for complete search history.

- 4,952,184 A * 8/1990 Graziano B63B 35/83 441/77
- 5,080,621 A * 1/1992 Nayes B63H 16/08 441/76
- 5,593,334 A * 1/1997 Thayer B63B 35/83 441/76
- 5,616,060 A * 4/1997 Morin B63B 35/83 441/76
- 6,764,363 B2 * 7/2004 Rosen B63B 35/83 441/77
- 6,855,024 B2 * 2/2005 Rothschild B63H 16/08 441/77

(Continued)

(56) **References Cited**

U.S. PATENT DOCUMENTS

- 1,834,424 A 12/1931 Rohrmann et al.
- 3,063,071 A 11/1962 Van Vorst
- 3,112,504 A 12/1963 Carlton
- 3,121,892 A * 2/1964 Plumlee B63B 35/83 441/77
- 3,242,898 A * 3/1966 Livaudais B63B 35/83 441/77
- 3,808,622 A 5/1974 Webster
- 3,835,494 A * 9/1974 Dougherty B63B 35/83 441/77
- 3,936,897 A * 2/1976 Schaumann B63B 35/83 441/77
- 4,060,866 A * 12/1977 Robinson B63B 1/12 441/76
- 4,261,069 A * 4/1981 Schaumann B63B 35/83 114/288
- 4,915,659 A 4/1990 Sanders

OTHER PUBLICATIONS

Man Invents Manual Water Skis: Published Apr. 7, 2008[online], site visited Aug. 27, 2019. Available from Internet URL: <http://english.cri.cn/3100/2008/04/07/1261@342924.htm> (Year: 2008).*

Primary Examiner — Jack Reickel
Assistant Examiner — Melvin L Davis
(74) *Attorney, Agent, or Firm* — Larson & Larson, P.A.; Justin P. Miller; Frank Liebenow

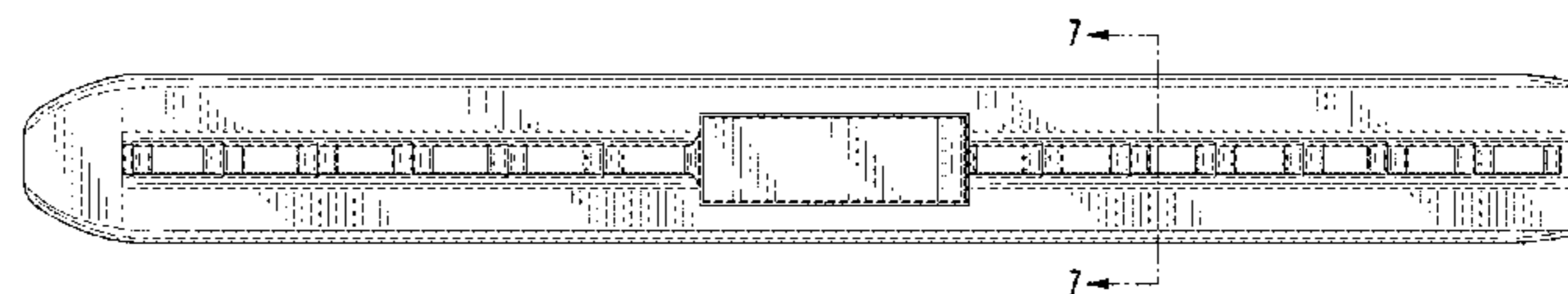
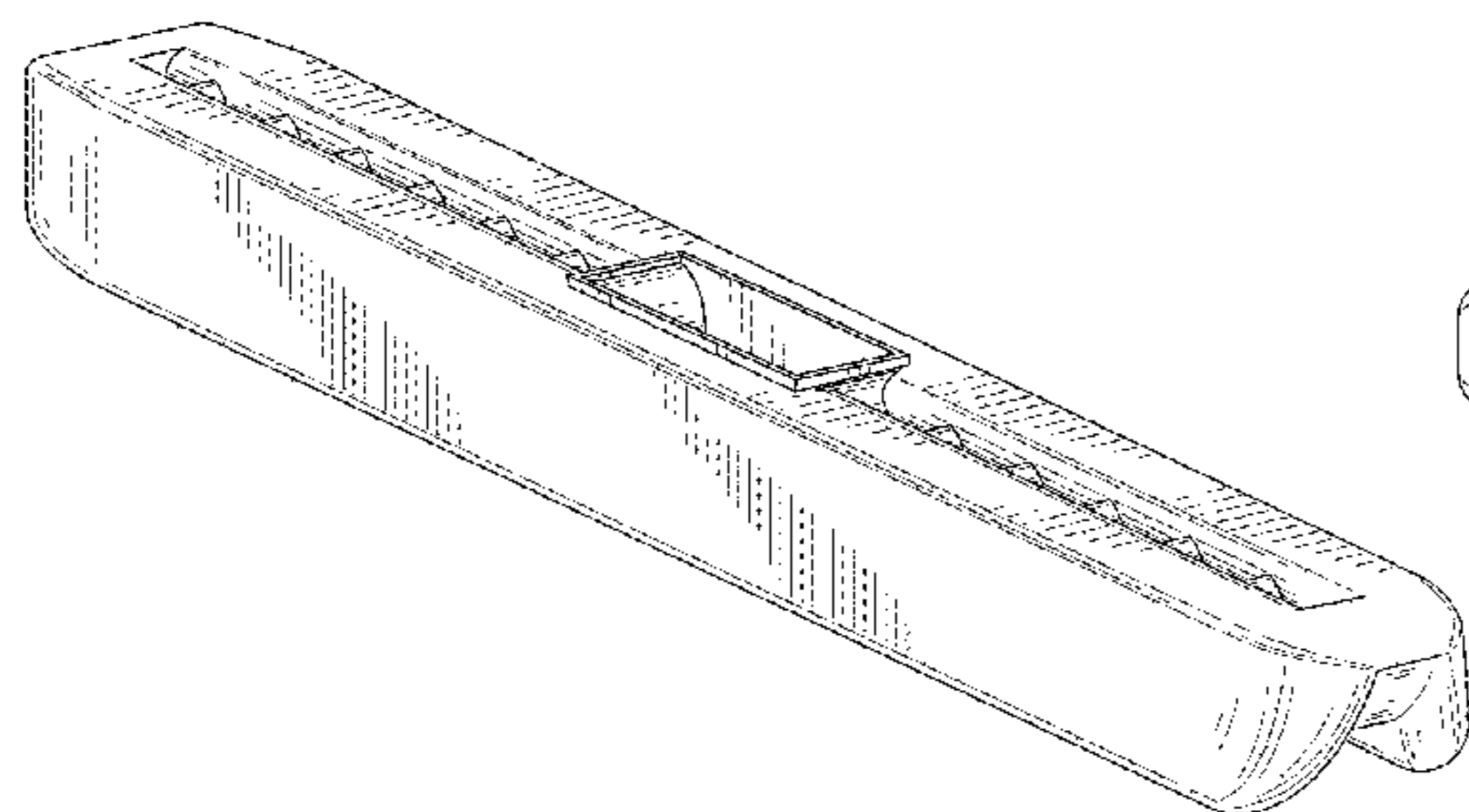
(57) **CLAIM**

I claim the ornamental design for a water propulsion device, as shown and described.

DESCRIPTION

FIG. 1 is a front perspective view of a water propulsion device showing my new design;
FIG. 2 is a top plan view thereof;
FIG. 3 is a bottom plan view thereof;
FIG. 4 is a left-side elevation view thereof, the right-side being a mirror image;
FIG. 5 is a front elevation view thereof;
FIG. 6 is a rear elevation thereof;
FIG. 7 is a cross-sectional view thereof; and,
FIG. 8 is a rear perspective view thereof.

1 Claim, 5 Drawing Sheets



(56)

References Cited

U.S. PATENT DOCUMENTS

6,871,608 B2 * 3/2005 Rosen B63B 1/121
114/347
D520,935 S * 5/2006 Schoell D12/317
7,121,910 B2 * 10/2006 Rosen B63B 35/83
441/76
7,607,959 B2 * 10/2009 DeMint B63B 35/83
440/21
8,845,372 B2 * 9/2014 Farmer B63B 35/73
440/102
9,272,761 B2 * 3/2016 Farmer B63B 35/83
10,179,631 B2 * 1/2019 Brucker B63B 35/83
2001/0053642 A1 12/2001 Chao

* cited by examiner

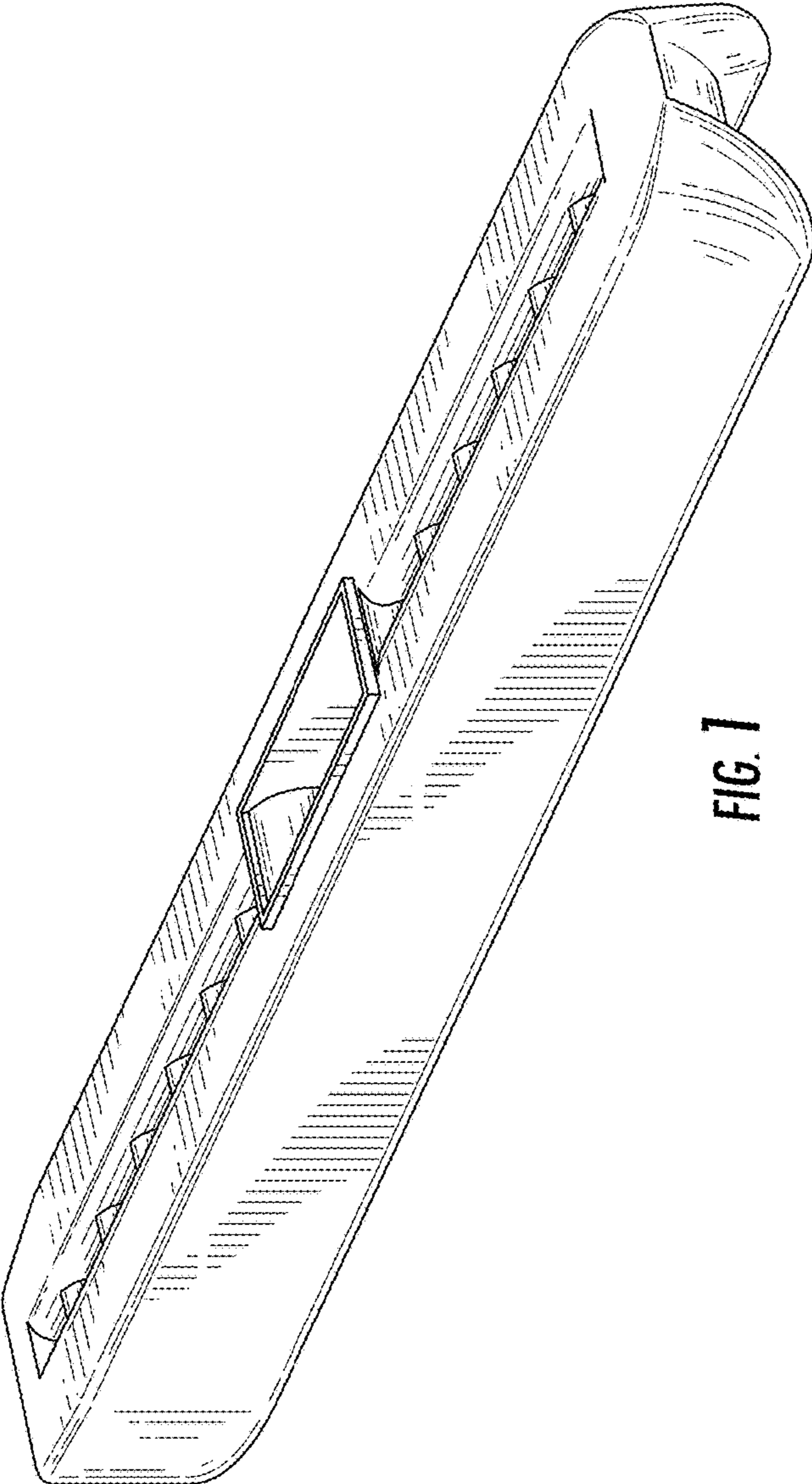


FIG. 1

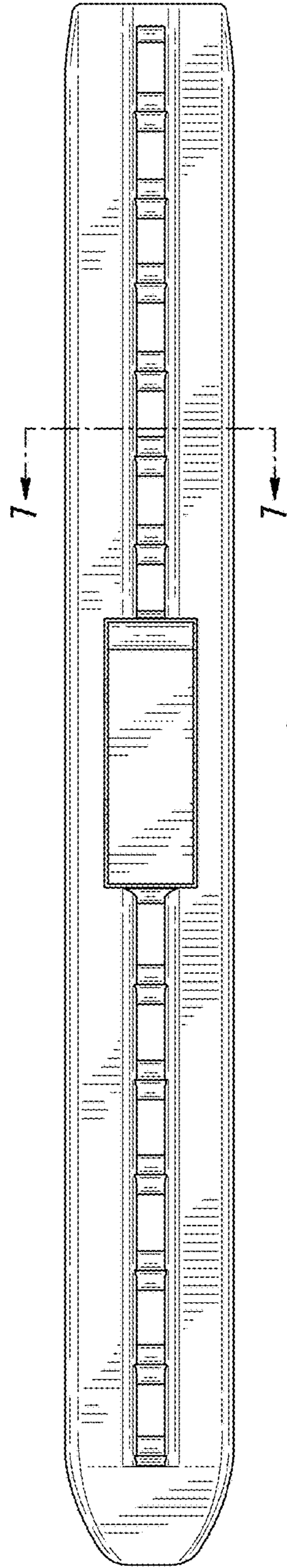


FIG. 2

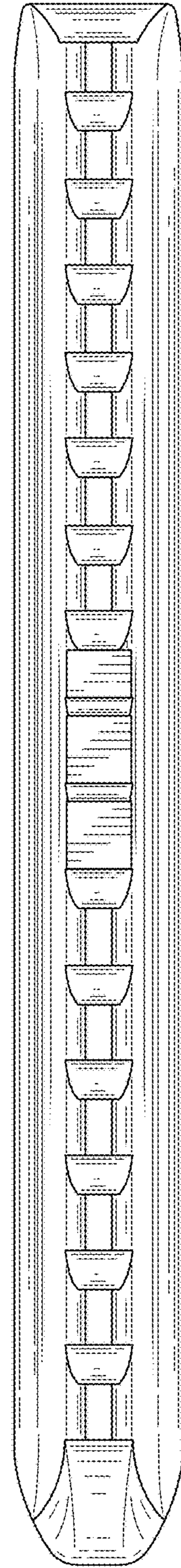


FIG. 3

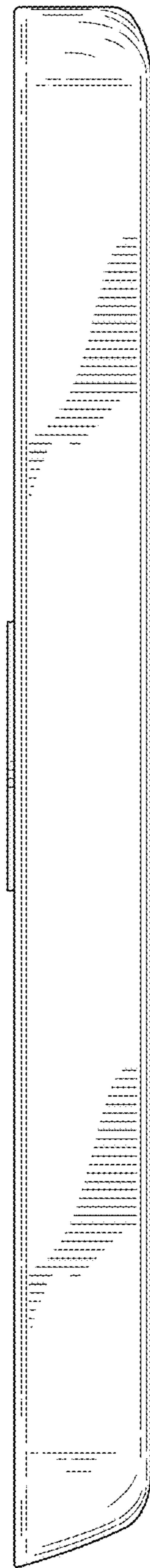


FIG. 4

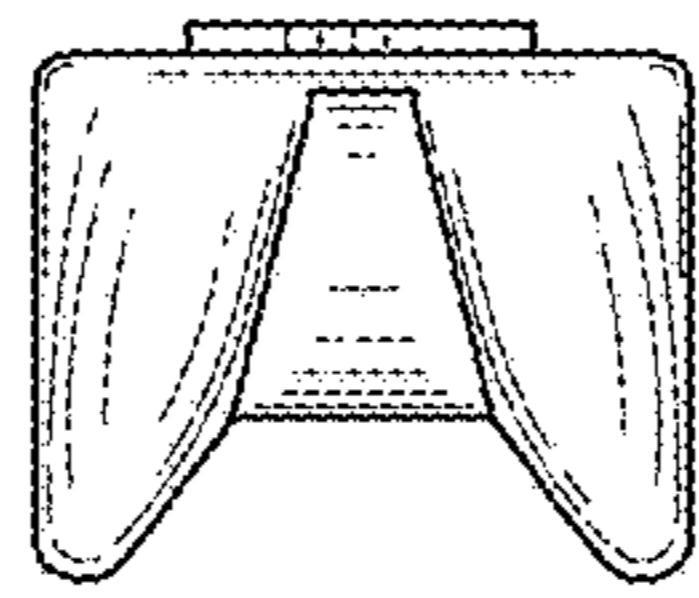


FIG. 5

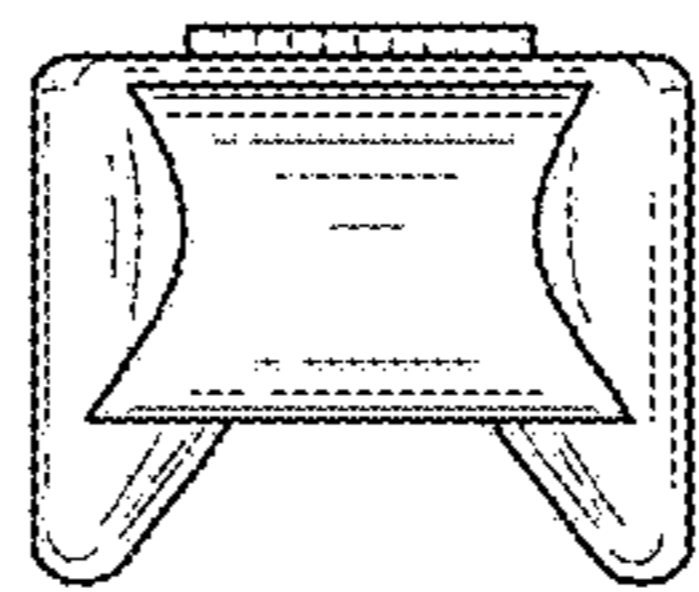


FIG. 6

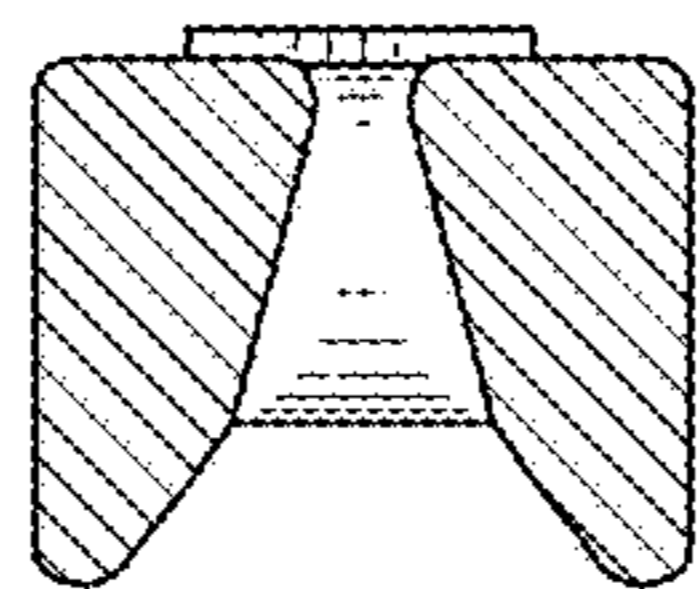


FIG. 7

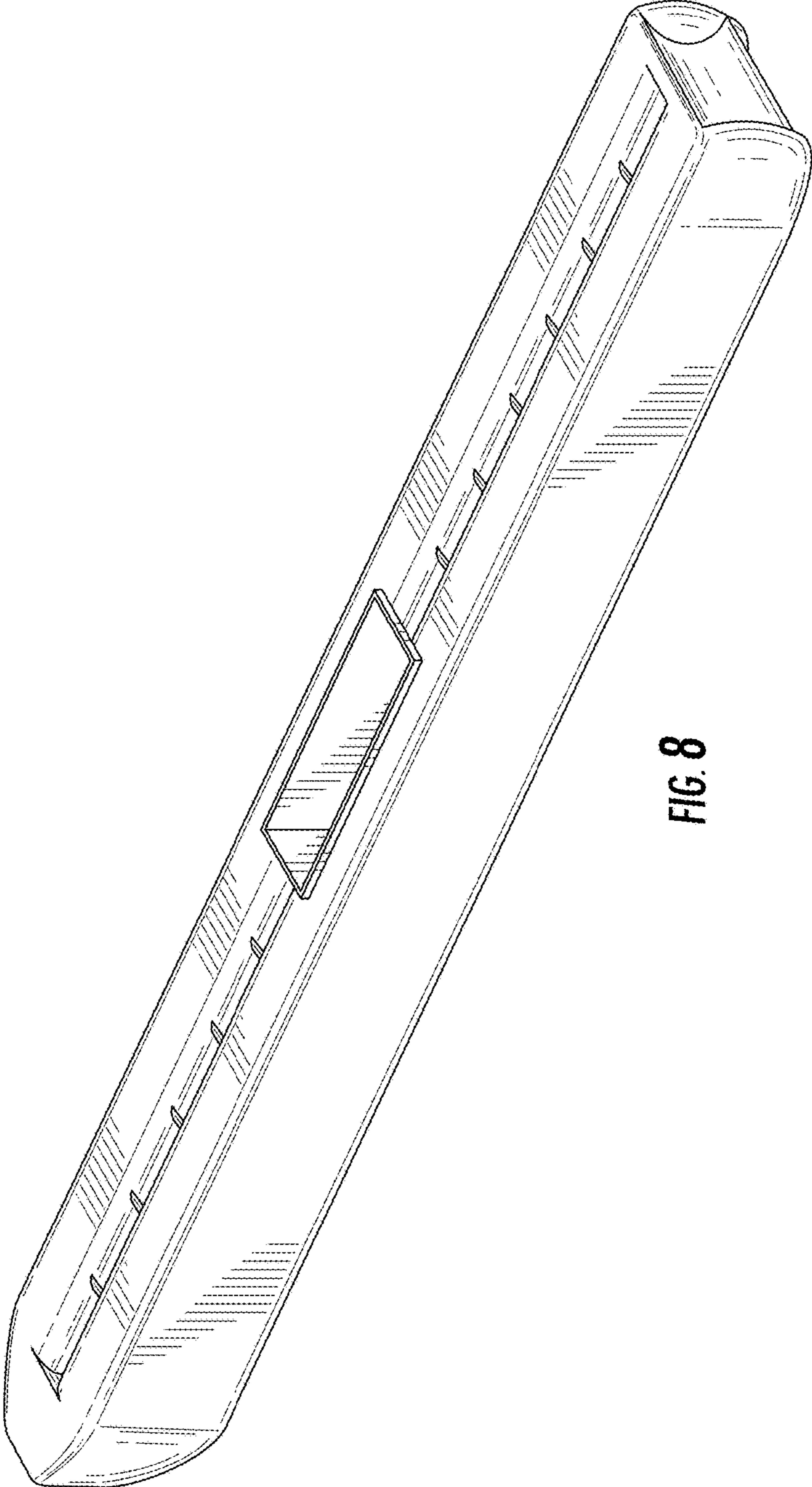


FIG. 8