

US00D866691S

(12) **United States Design Patent** (10) **Patent No.:** **US D866,691 S**  
**Nicolette** (45) **Date of Patent:** **\*\* Nov. 12, 2019**

(54) **GOLF CLUB HEAD**

OTHER PUBLICATIONS

(71) Applicant: **PARSONS XTREME GOLF, LLC**,  
Scottsdale, AZ (US)

U.S. Appl. No. 29/523,587, Schweigert, "Golf Club Head," filed  
Apr. 10, 2015.

(72) Inventor: **Michael R. Nicolette**, Scottsdale, AZ  
(US)

(Continued)

*Primary Examiner* — Mitchell I. Siegel

(73) Assignee: **Parsons Xtreme Golf, LLC**,  
Scottsdale, AZ (US)

(57) **CLAIM**

The ornamental design for a golf club head, as shown and  
described.

(\*\*) Term: **15 Years**

(21) Appl. No.: **29/661,179**

**DESCRIPTION**

(22) Filed: **Aug. 24, 2018**

**Related U.S. Application Data**

(63) Continuation-in-part of application No. 29/637,768,  
filed on Feb. 21, 2018, now abandoned.

(51) **LOC (12) Cl.** ..... **21-02**

(52) **U.S. Cl.**  
USPC ..... **D21/736**

(58) **Field of Classification Search**  
USPC ..... D21/736–746, 759  
CPC ..... A63B 53/00; A63B 53/04; A63B 53/007;  
A63B 53/065; A63B 53/0487; A63B  
60/00; A63B 60/46  
See application file for complete search history.

FIG. 1 is a front perspective view of a golf club head;  
FIG. 2 is a rear perspective view of the golf club head of  
FIG. 1;  
FIG. 3 is a front elevational view of the golf club head of  
FIG. 1;  
FIG. 4 is a rear elevational view of the golf club head of FIG.  
1;  
FIG. 5 is a top view of the golf club head of FIG. 1;  
FIG. 6 is a bottom view of the golf club head of FIG. 1;  
FIG. 7 is a left side view of the golf club head of FIG. 1;  
FIG. 8 is a right side view of the golf club head of FIG. 1;  
FIG. 9 is a front perspective view of a golf club head;  
FIG. 10 is a rear perspective view of the golf club head of  
FIG. 9;  
FIG. 11 is a front elevational view of the golf club head of  
FIG. 9;  
FIG. 12 is a rear elevational view of the golf club head of  
FIG. 9;  
FIG. 13 is a top view of the golf club head of FIG. 9;  
FIG. 14 is a bottom view of the golf club head of FIG. 9;  
FIG. 15 is a left side view of the golf club head of FIG. 9;  
and,  
FIG. 16 is a right side view of the golf club head of FIG. 9.  
The broken lines shown are included for the purpose of  
illustrating unclaimed subject matter and forms no part of  
the claimed design.

(56) **References Cited**

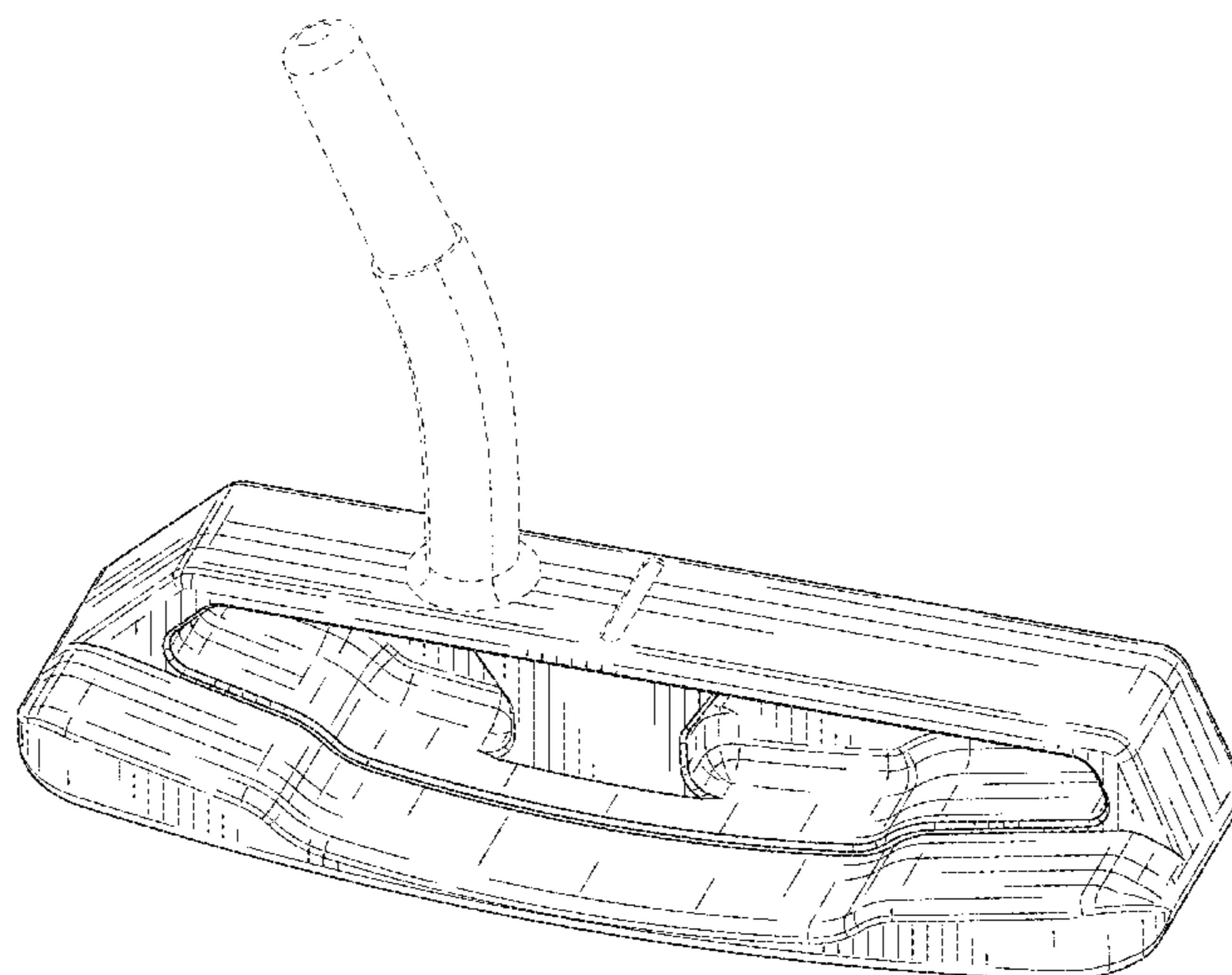
**U.S. PATENT DOCUMENTS**

922,444 A 5/1909 Youds  
RE19,178 E 5/1934 Spiker  
D202,715 S \* 11/1965 Solheim ..... D21/743  
(Continued)

**FOREIGN PATENT DOCUMENTS**

JP 2005/160691 6/2005

**1 Claim, 12 Drawing Sheets**



(56)

References Cited

U.S. PATENT DOCUMENTS

D207,227 S *	3/1967	Solheim .....	D21/739	D543,601 S	5/2007	Kawami	
D239,951 S *	5/1976	Carrier .....	D21/742	D555,219 S	11/2007	Lin	
4,043,562 A	8/1977	Shillington		D556,277 S	11/2007	Broom	
D248,783 S	8/1978	Long		D561,854 S	2/2008	Morris	
D281,092 S	10/1985	Mills		7,331,876 B2	2/2008	Klein	
4,754,977 A	7/1988	Sahm		7,351,162 B2	4/2008	Soracco et al.	
4,869,507 A	9/1989	Sahm		D569,461 S	5/2008	Morris	
D313,449 S *	1/1991	Shearer .....	D21/743	D569,930 S	5/2008	Nehrbas	
D313,451 S	1/1991	Shearer		7,396,289 B2	7/2008	Soracoo et al.	
D322,646 S *	12/1991	Antonious .....	D21/740	D577,085 S	9/2008	Nicolette et al.	
D322,649 S *	12/1991	Antonious .....	D21/742	D577,086 S	9/2008	Nicolette et al.	
D322,829 S *	12/1991	Antonious .....	D21/742	D579,506 S	10/2008	Nicolette et al.	
D335,317 S	5/1993	Shearer		D579,995 S	11/2008	Nicolette et al.	
D335,692 S	5/1993	Antonious		D582,497 S	12/2008	Rollinson	
D336,757 S	6/1993	Antonious		7,473,189 B2	1/2009	Schweigert et al.	
D350,582 S	9/1994	Miansian et al.		7,491,131 B2	2/2009	Vinton	
5,390,919 A	2/1995	Stubbs et al.		D599,425 S	9/2009	Laub	
5,429,366 A	7/1995	McCabe		D599,867 S	9/2009	Teramoto	
D363,101 S	10/1995	Sturm		D600,763 S	9/2009	Cameron	
D365,864 S	1/1996	Sturm		D601,214 S	9/2009	Serrano et al.	
5,489,097 A	2/1996	Simmons		D607,951 S	1/2010	Teramoto	
D368,751 S	4/1996	Rife		7,744,485 B2	6/2010	Jones et al.	
D369,393 S	4/1996	Takahashi et al.		D620,993 S	8/2010	Laub	
5,571,053 A	11/1996	Lane		D623,709 S	9/2010	Serrano et al.	
D378,688 S	4/1997	Cameron		D631,925 S	2/2011	Broom	
D385,609 S	10/1997	Cameron		7,887,432 B2	2/2011	Jones et al.	
5,683,307 A	11/1997	Rife		D633,964 S *	3/2011	Teramoto .....	D21/743
D388,143 S	12/1997	Huan-Chiang		7,909,707 B2	3/2011	Klein	
D388,485 S *	12/1997	Morgan .....	D21/746	7,918,745 B2	4/2011	Morris et al.	
D389,207 S	1/1998	Cameron		D638,891 S	5/2011	Nicolette et al.	
D398,685 S	9/1998	Masuda		D638,892 S *	5/2011	Hettinger .....	D21/743
D399,290 S	10/1998	Sizemore, Jr.		D642,643 S	8/2011	Nicolette et al.	
D399,911 S	10/1998	Nicolette et al.		D643,485 S	8/2011	Niccalette et al.	
5,839,974 A	11/1998	McAllister		D645,104 S	9/2011	Nicolette et al.	
D405,836 S	2/1999	Nicolette et al.		8,096,039 B2	1/2012	Soracco et al.	
D409,701 S	5/1999	Ashcraft et al.		D653,718 S	2/2012	Stokke et al.	
5,924,938 A	7/1999	Hines		D655,361 S *	3/2012	Ramsauer .....	D21/743
D422,655 S	4/2000	Hicks		D661,753 S	6/2012	Cameron et al.	
D426,276 S	6/2000	Besnard et al.		D666,260 S	8/2012	Cynn	
D431,854 S	10/2000	Cameron		8,376,878 B2	2/2013	Bennett et al.	
D432,192 S	10/2000	Hicks		D682,957 S *	5/2013	Welch .....	D21/736
D436,151 S	1/2001	Nicolette et al.		D688,339 S	8/2013	Hilton et al.	
D437,374 S	2/2001	Cameron		D688,341 S	8/2013	Rollinson	
D441,820 S	5/2001	Nicolette et al.		D689,574 S *	9/2013	Rollinson .....	D21/743
D443,668 S	6/2001	Nicolette et al.		D691,226 S	10/2013	Hilton et al.	
D443,905 S	6/2001	Nicolette et al.		D699,308 S	2/2014	Rollinson	
D444,833 S	7/2001	Wells et al.		D702,782 S *	4/2014	Wempe .....	D21/743
6,264,571 B1	7/2001	Lekavich		D704,782 S	5/2014	Rollinson	
D449,664 S	10/2001	Beebe et al.		8,721,472 B2	5/2014	Kuan et al.	
D449,865 S	10/2001	Fife et al.		8,790,193 B2	7/2014	Serrano et al.	
D450,799 S	11/2001	Nicotette et al.		D711,483 S	8/2014	Wong	
D451,973 S	12/2001	Wells et al.		D722,350 S	2/2015	Schweigert	
6,348,014 B1	2/2002	Chiu		D722,351 S	2/2015	Parsons et al.	
6,354,959 B1	3/2002	Nicolette et al.		D722,352 S	2/2015	Nicolette et al.	
6,394,910 B1	5/2002	McCarthy		D723,120 S	2/2015	Nicolette	
D472,949 S	4/2003	Serrano et al.		D724,164 S	3/2015	Schweigert et al.	
D474,821 S	5/2003	Wells et al.		D725,208 S	3/2015	Schweigert	
D483,086 S	12/2003	Schweigert et al.		D726,265 S	4/2015	Nicolette	
D486,872 S	2/2004	Schweigert et al.		D726,846 S	4/2015	Schweigert	
D498,276 S	11/2004	Schweigert et al.		9,033,812 B2 *	5/2015	Solheim .....	A63B 53/007 473/238
6,902,496 B2	6/2005	Solheim et al.		D733,234 S	6/2015	Nicolette	
D512,116 S	11/2005	Miraflor et al.		D738,447 S	9/2015	Schweigert	
6,988,956 B2	1/2006	Cover et al.		D738,449 S	9/2015	Schweigert	
D520,088 S	5/2006	Parr		D739,487 S	9/2015	Schweigert	
D531,242 S	10/2006	Adams		D741,426 S	10/2015	Schweigert	
D532,067 S	11/2006	Soracco et al.		D746,926 S	1/2016	Parsons et al.	
7,153,220 B2	12/2006	Lo		D748,213 S	1/2016	Parsons et al.	
D534,595 S	1/2007	Hasebe		D748,215 S	1/2016	Parsons et al.	
7,156,752 B1	1/2007	Bennett		9,233,283 B2	1/2016	Schweigert	
D536,401 S	2/2007	Kawami		D752,697 S	3/2016	Claveran	
D536,403 S	2/2007	Kawami		D753,252 S	4/2016	Schweigert	
D538,371 S	3/2007	Kawami		9,440,124 B2	9/2016	Parsons et al.	
7,204,765 B2	4/2007	Cover et al.		D791,891 S *	7/2017	Davis .....	D21/736
D542,869 S	5/2007	Adams		D794,146 S *	8/2017	Davis .....	D21/736
D543,598 S	5/2007	Kuan et al.		D799,615 S *	10/2017	Kroloff .....	D21/736
				2007/0142122 A1	6/2007	Bonneau	
				2007/0207875 A1	9/2007	Kuan et al.	
				2007/0238548 A1	10/2007	Johnson	

(56)

**References Cited**

U.S. PATENT DOCUMENTS

2008/0139333 A1 6/2008 Klein  
2008/0146372 A1 6/2008 John  
2008/0176672 A1 7/2008 Roach et al.  
2011/0165959 A1 7/2011 Klein  
2013/0165256 A1 6/2013 Stevenson  
2013/0210537 A1 8/2013 Ainscough et al.

OTHER PUBLICATIONS

TourSpecGolf (Gold's Factory Multi Weighted Custom Putter) [online].  
Nov. 20, 2010 [retrieved Jul. 7, 2015]. Retrieved from the internet:  
<URL: <http://www.tourspecgolf.com/blog/golds-factory-multi-weighted-custom-putter/>>.

International Search Report and Written Opinion issued in connection with corresponding application No. PCT/US15/27841 on Jul. 30, 2015 (14 pages).

\* cited by examiner

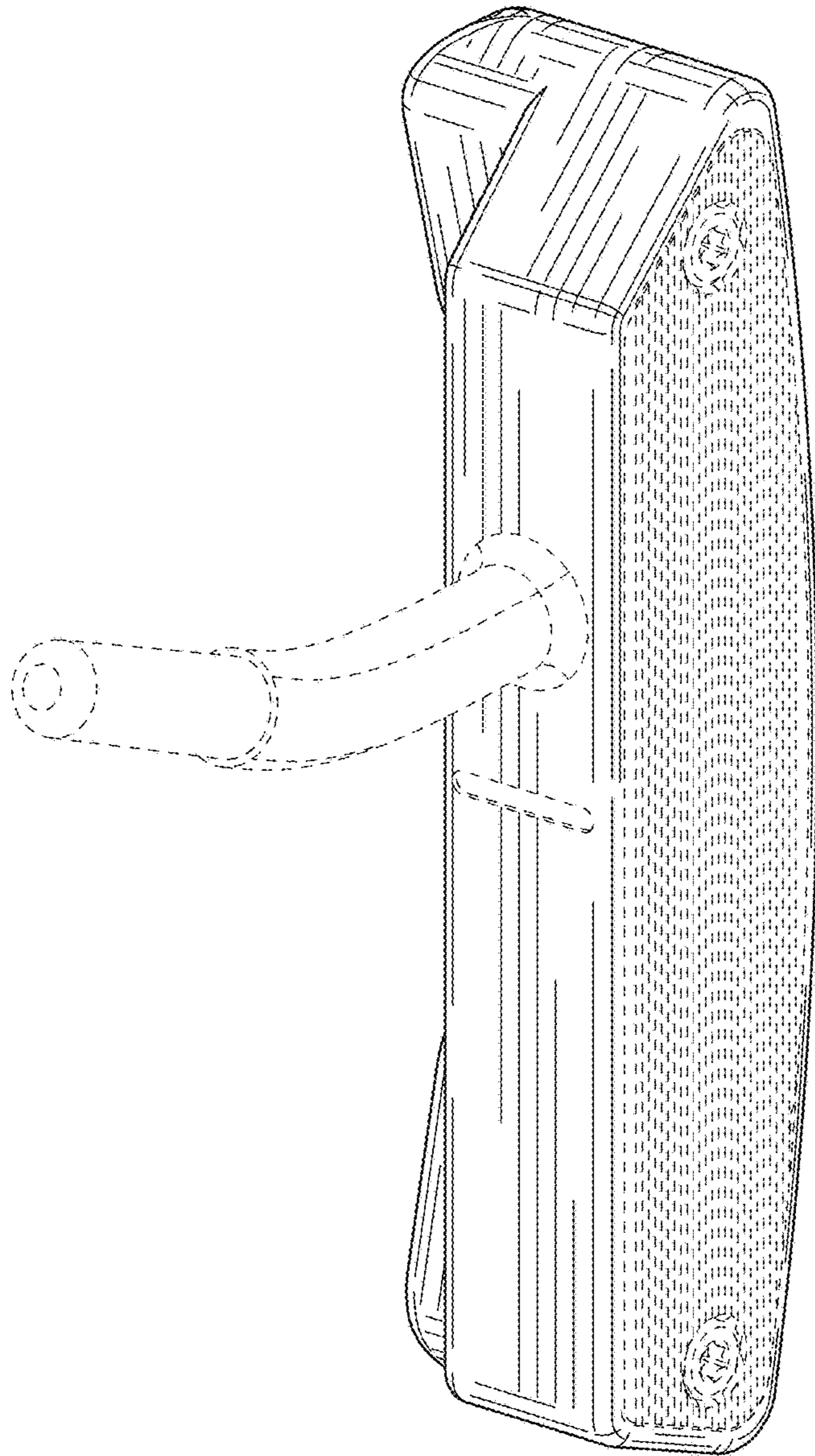


FIG. 1

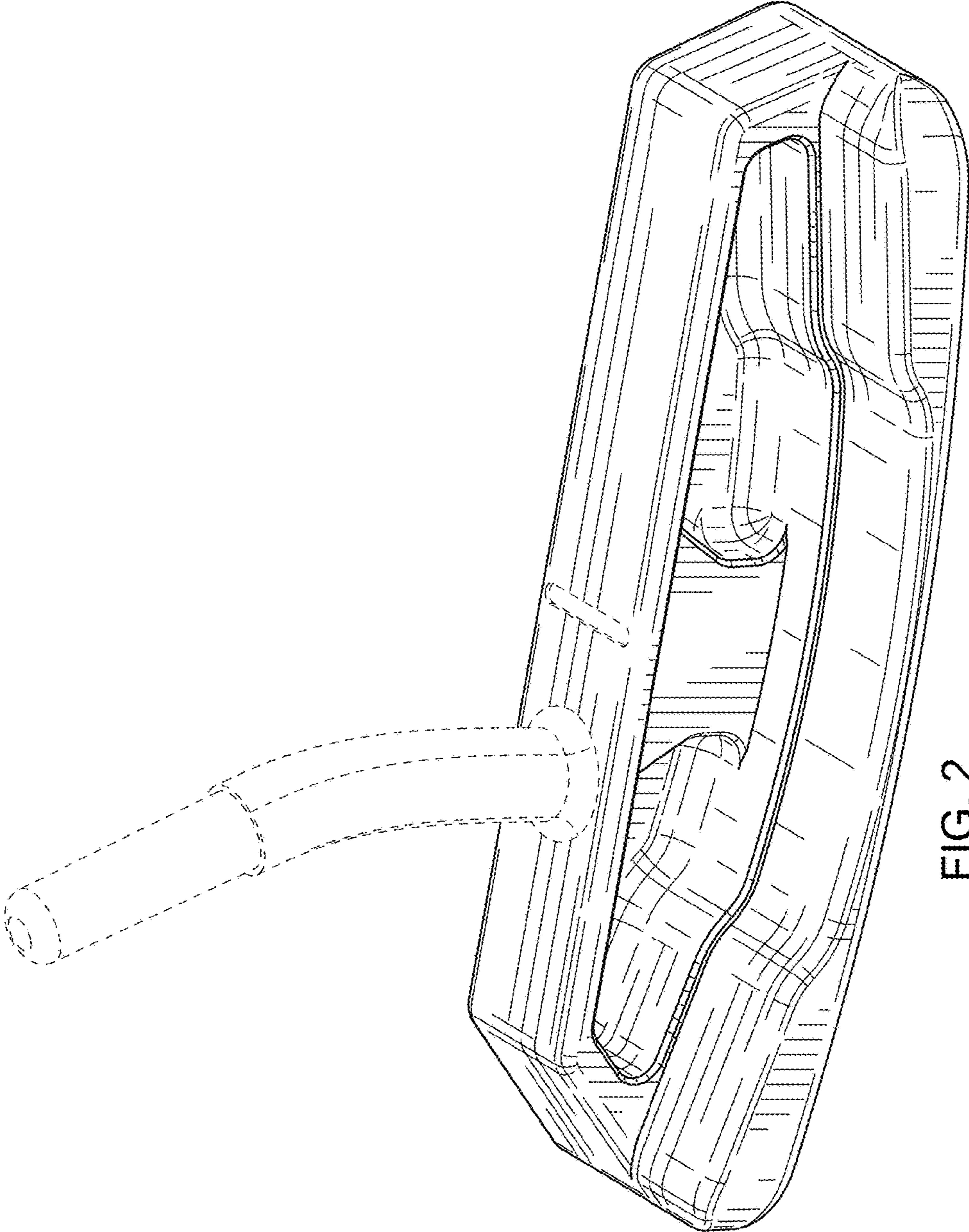


FIG. 2

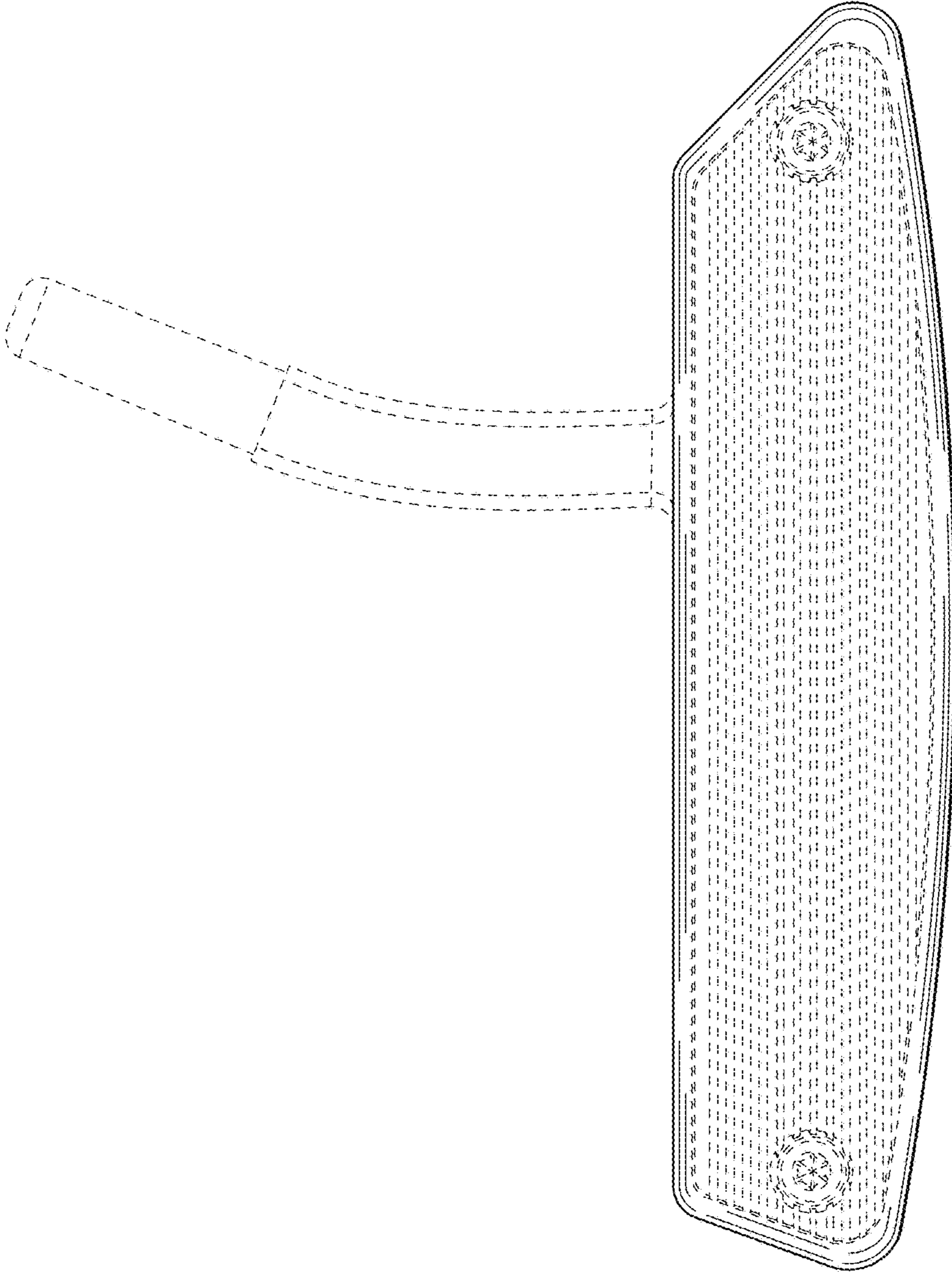


FIG. 3

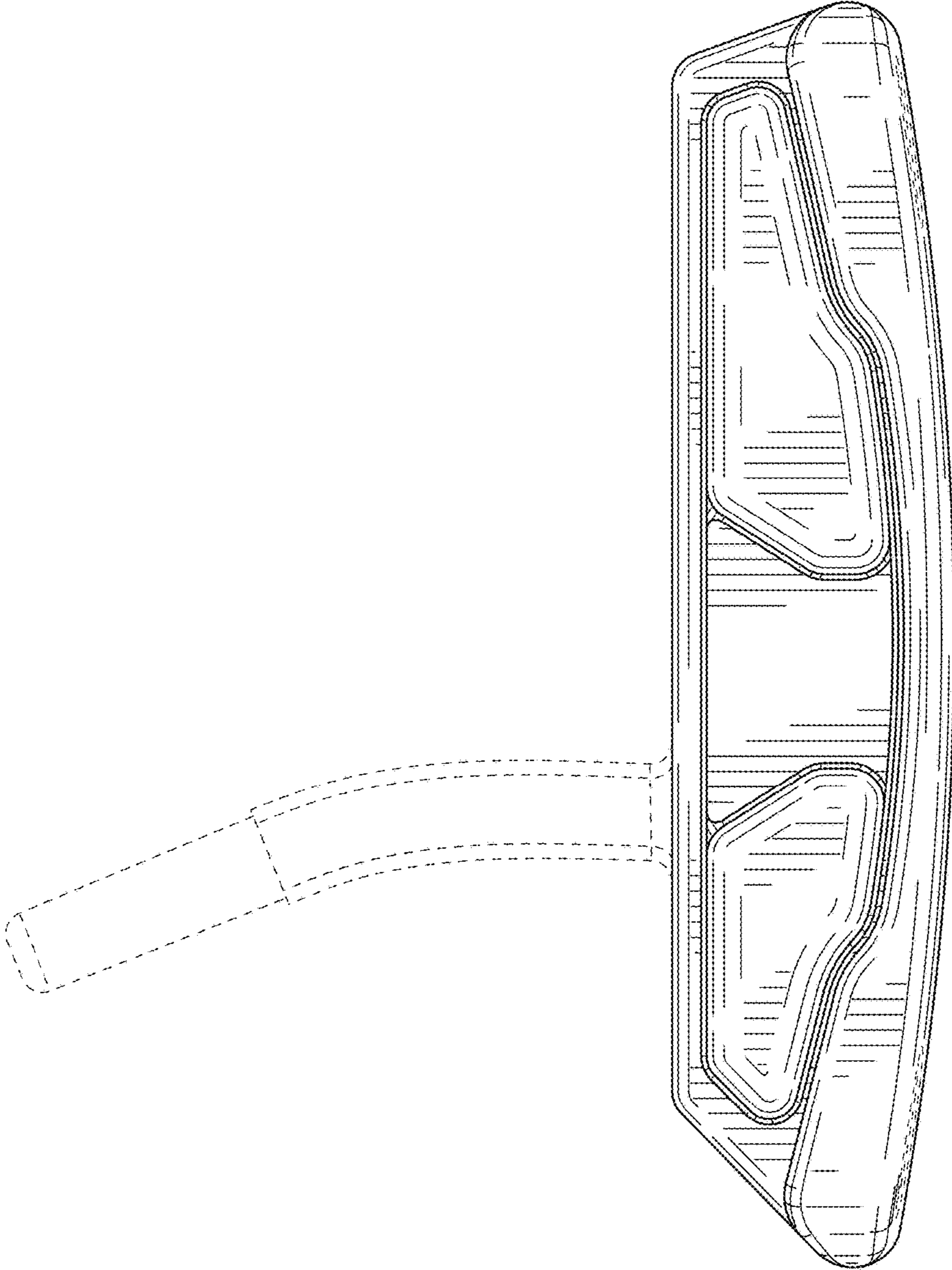


FIG. 4

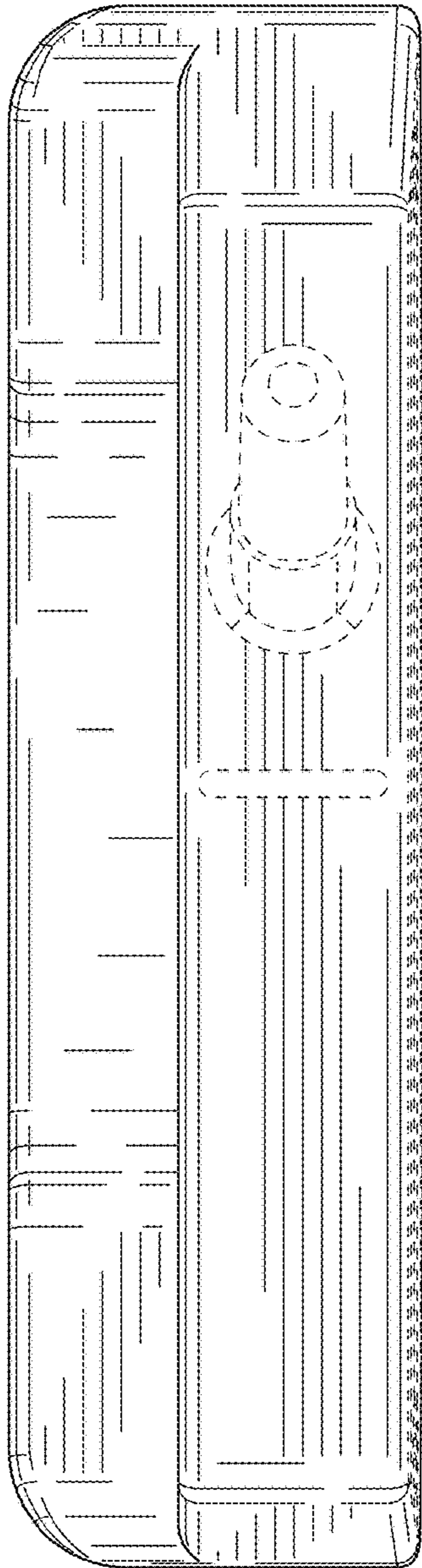


FIG. 5

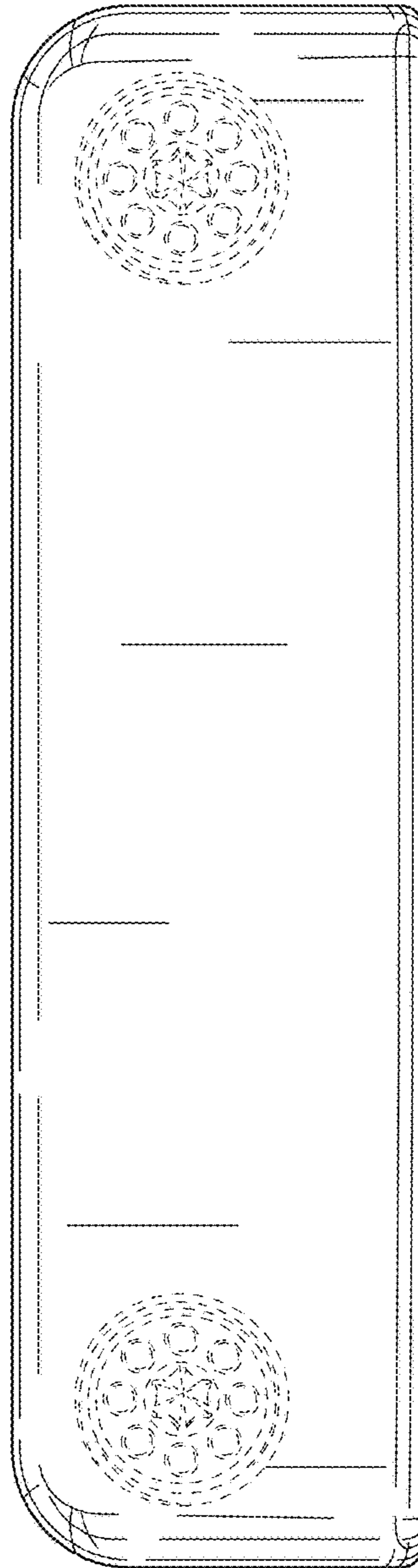


FIG. 6



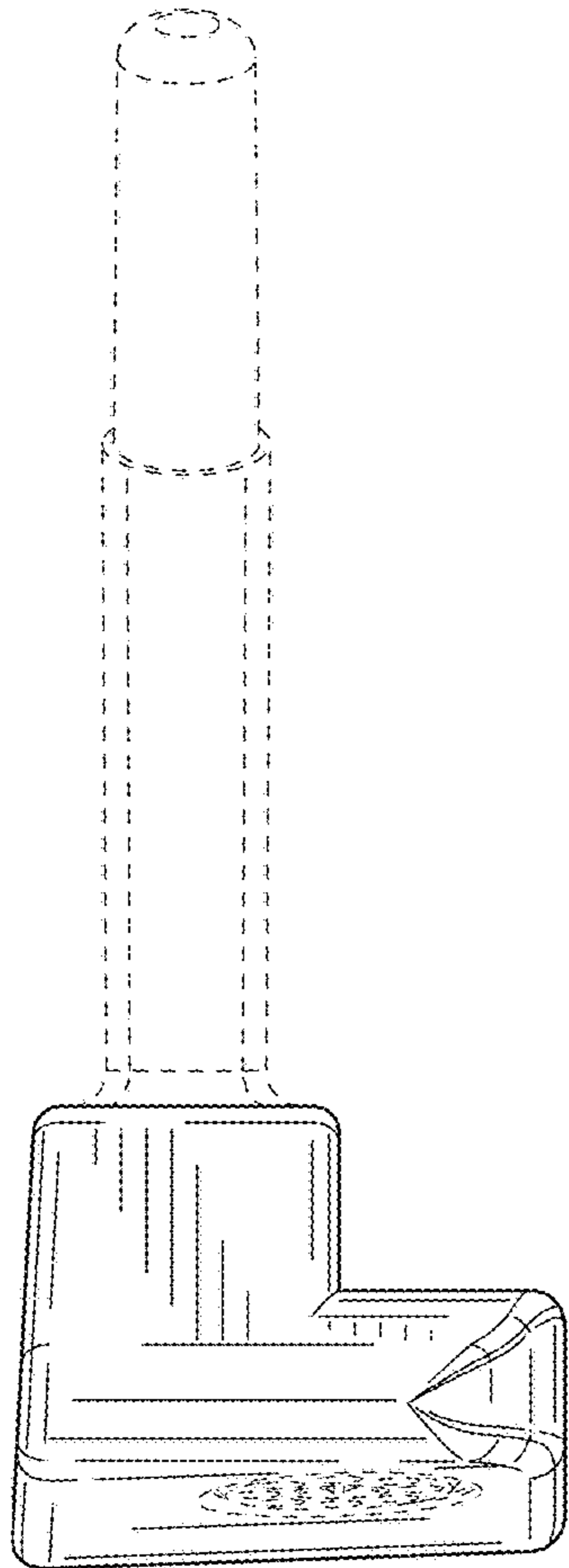


FIG. 7

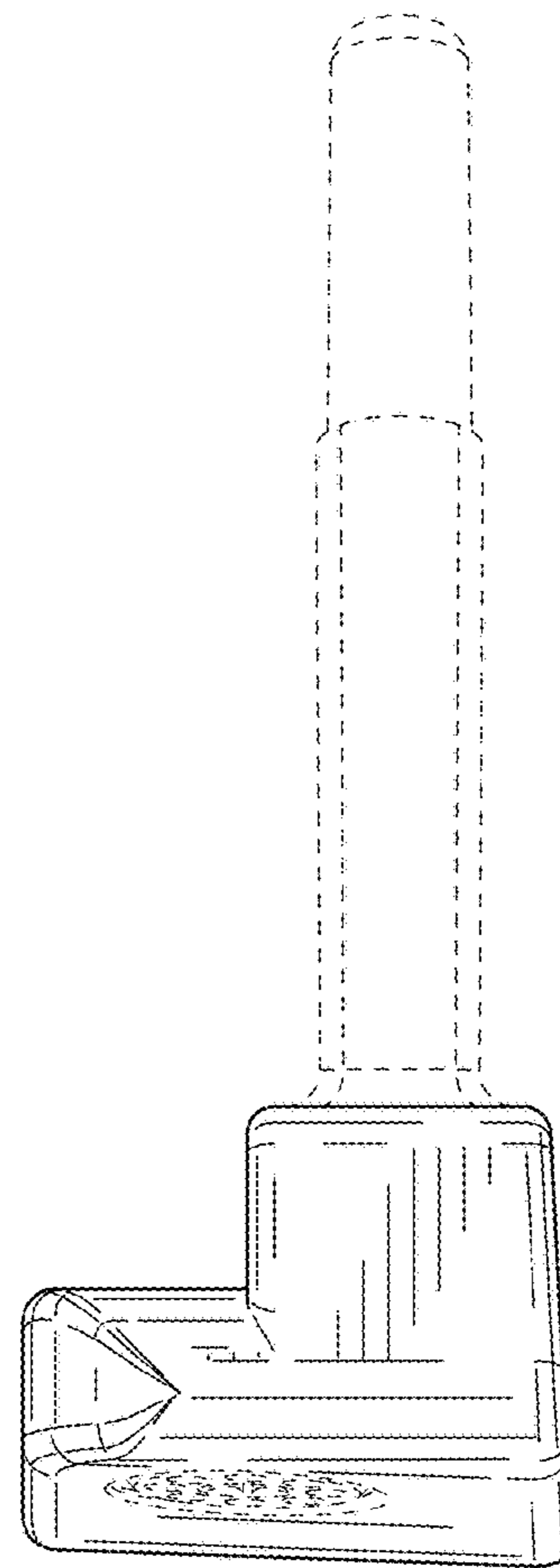


FIG. 8

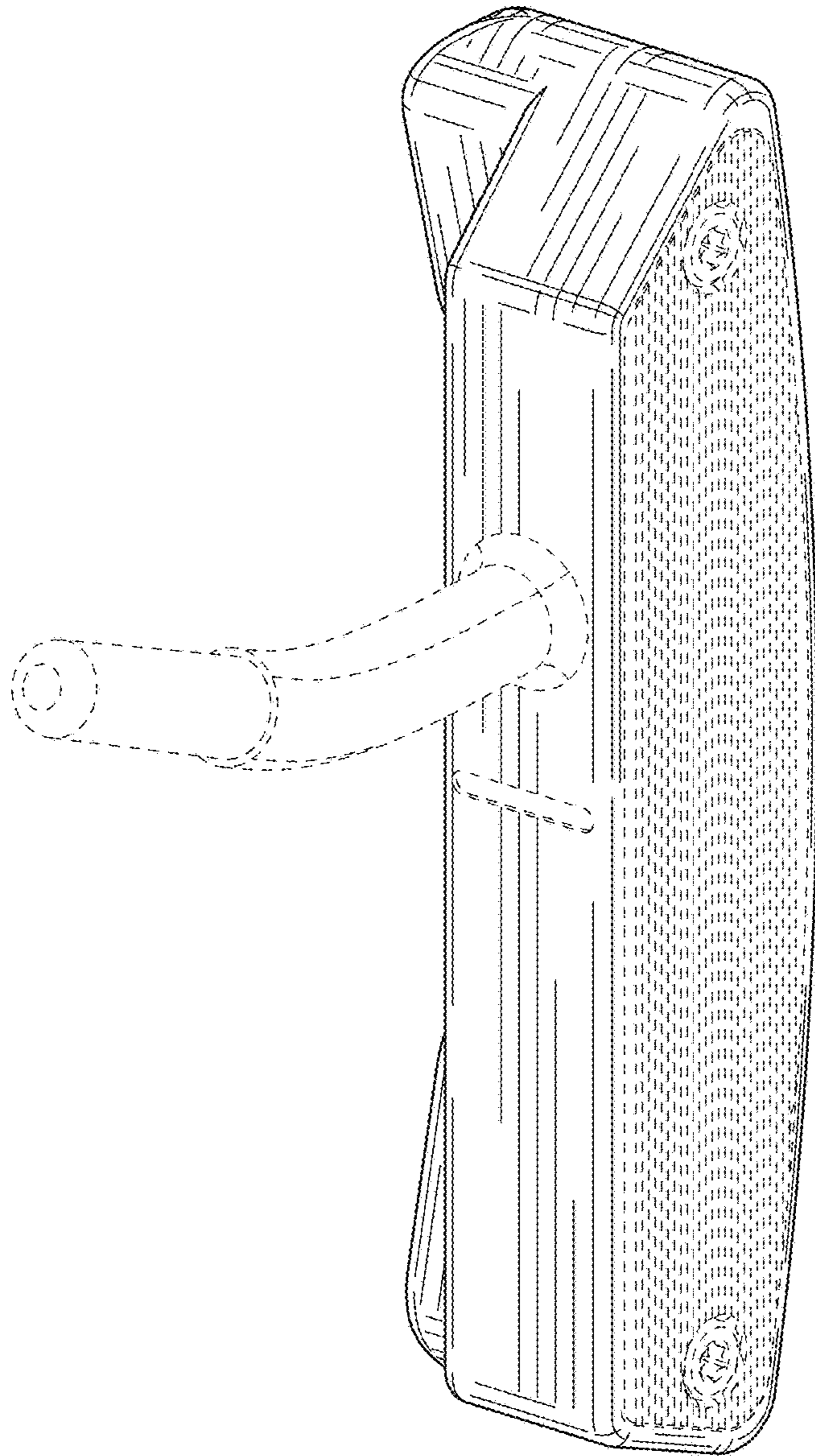


FIG. 9

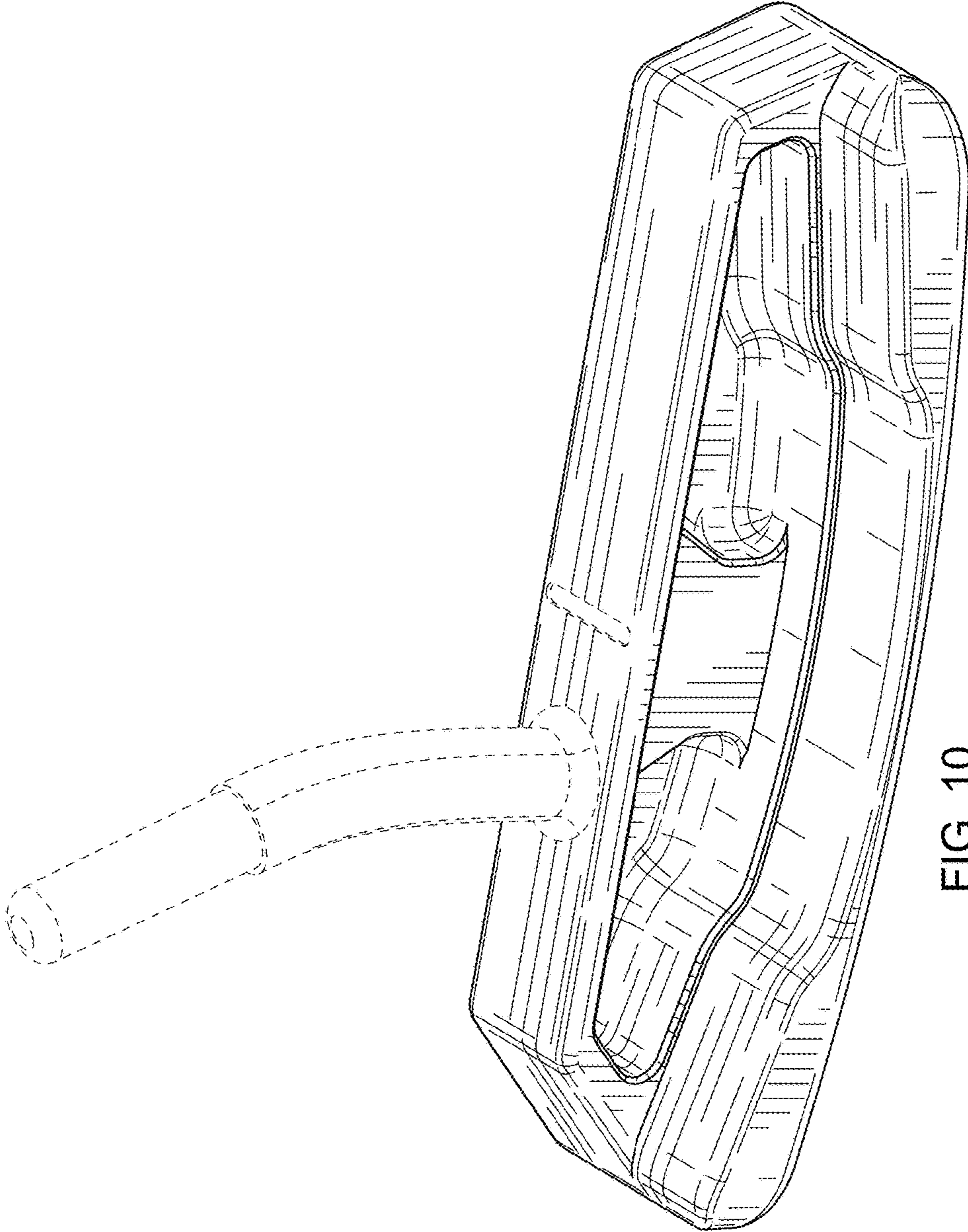


FIG. 10

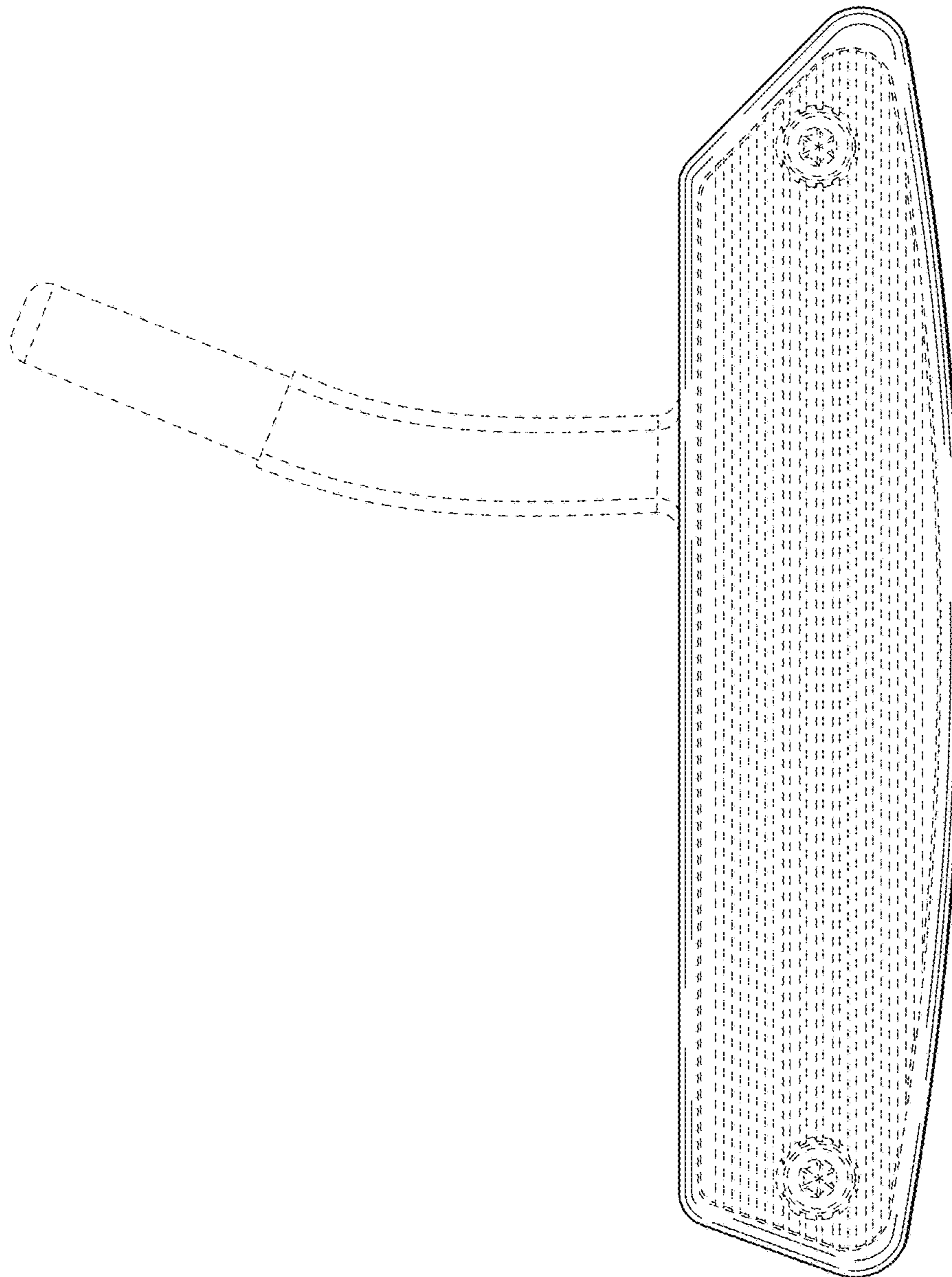


FIG. 11

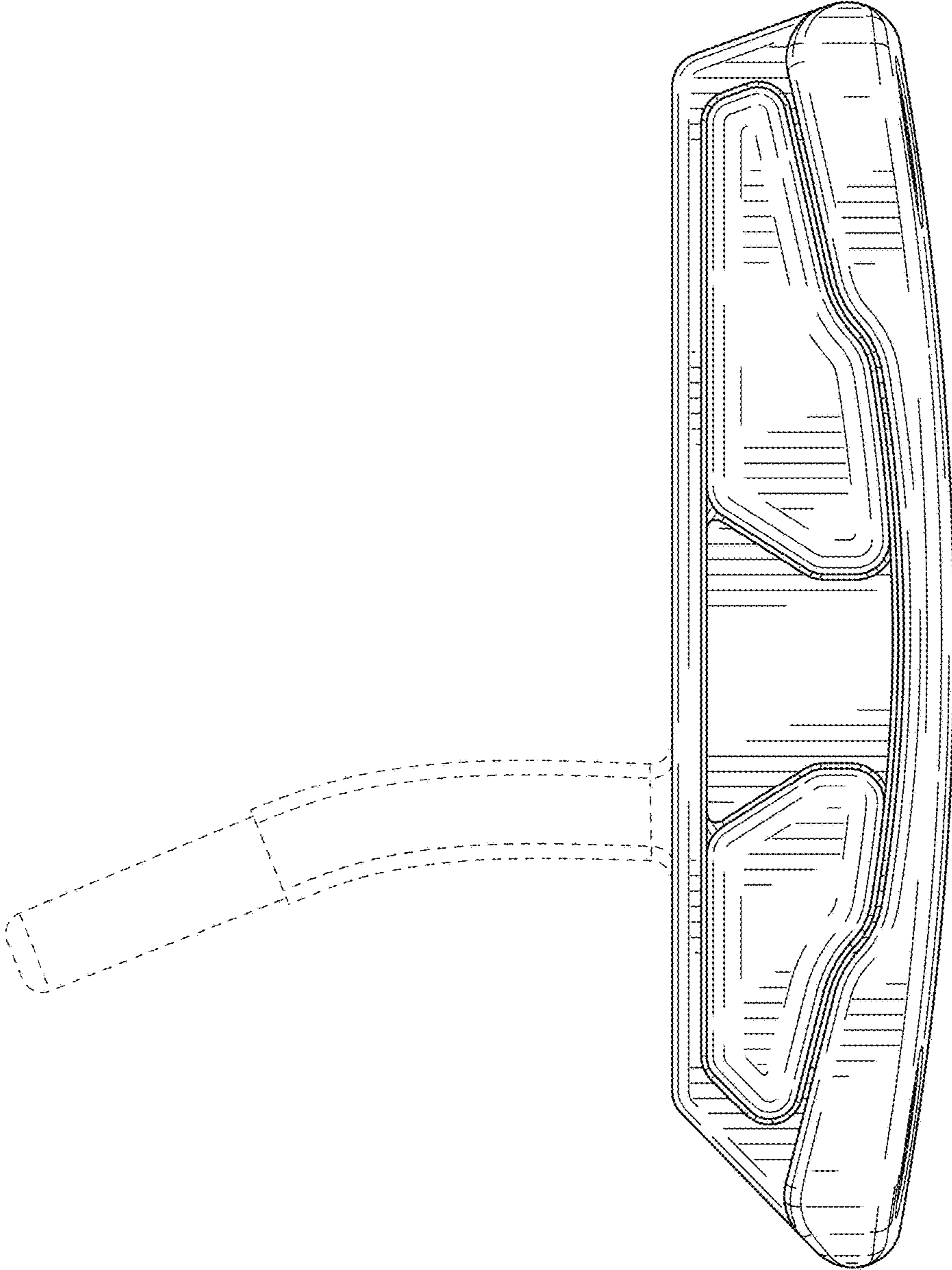


FIG. 12

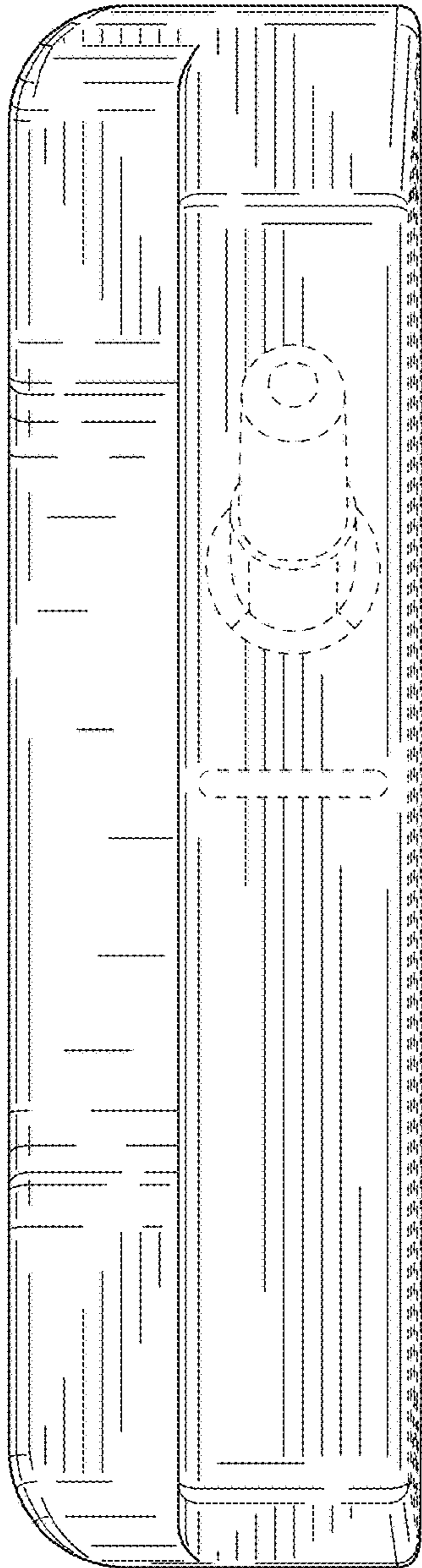


FIG. 13

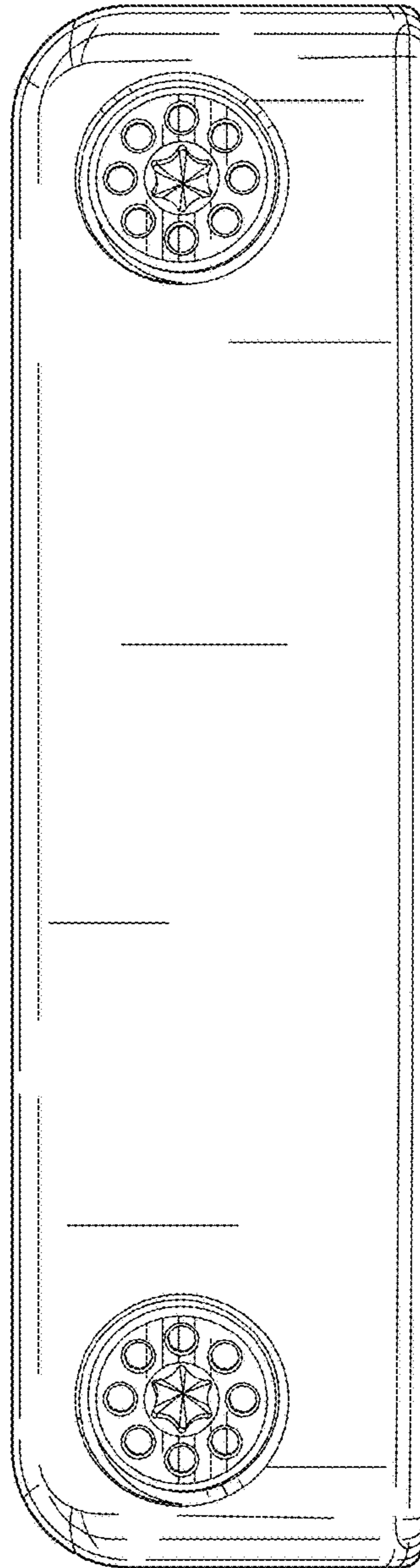


FIG. 14

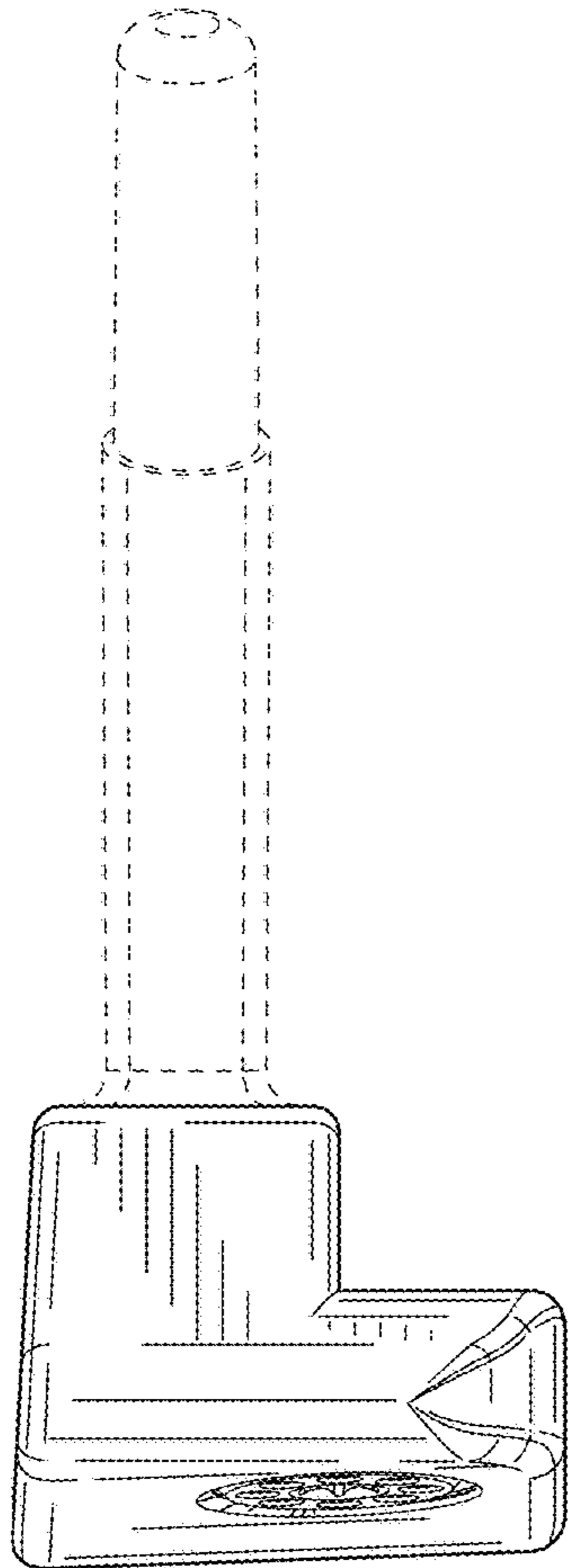


FIG. 15

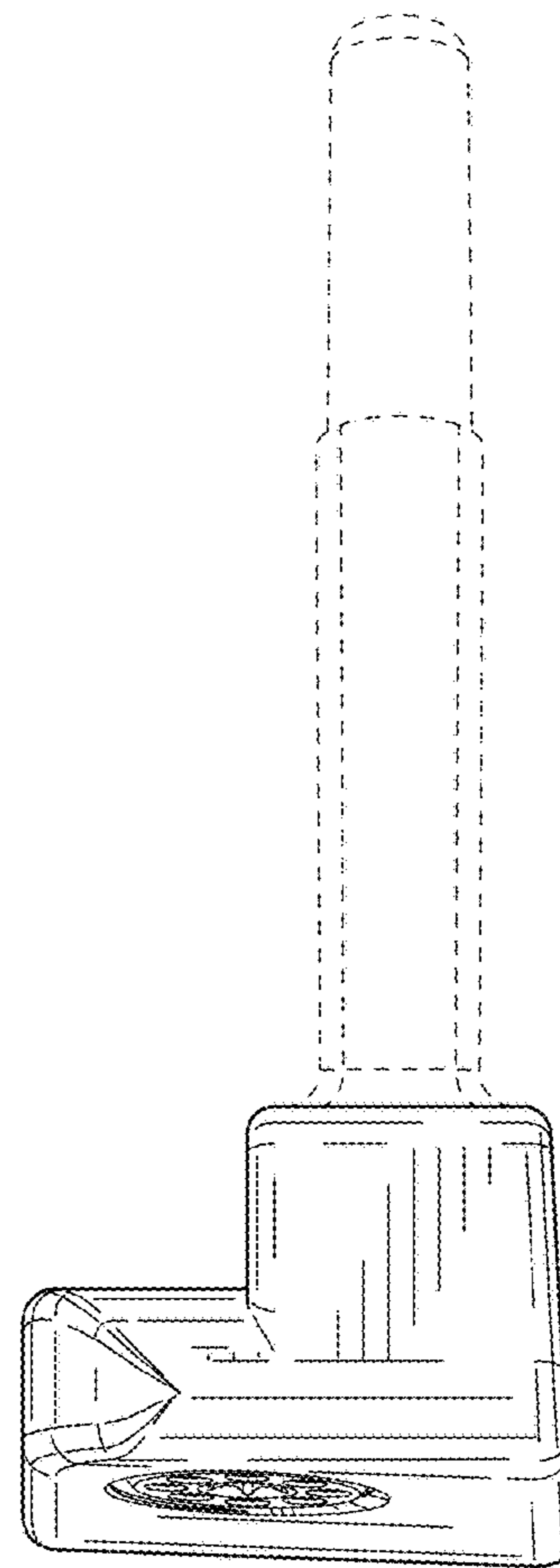


FIG. 16