



US00D866690S

(12) **United States Design Patent**
Malmsten

(10) **Patent No.: US D866,690 S**

(45) **Date of Patent: ** Nov. 12, 2019**

(54) **PART OF SWIMMING POOL DIVIDER FOR SWIMMING MATCHES**

(71) Applicant: **M. MALMSTEN AB**, Åhus (SE)

(72) Inventor: **Tommy Malmsten**, Åhus (SE)

(**) Term: **15 Years**

(21) Appl. No.: **35/505,760**

(22) Filed: **Mar. 23, 2018**

(80) **Hague Agreement Data**

Int. Filing Date: **Mar. 23, 2018**

Int. Reg. No.: **DM/101440**

Int. Reg. Date: **Mar. 23, 2018**

Int. Reg. Pub. Date: **Sep. 28, 2018**

(51) **LOC (12) Cl.** **21-02**

(52) **U.S. Cl.**
USPC **D21/706**

(58) **Field of Classification Search**
USPC D21/706, 801, 803
CPC B63B 21/20; E04H 4/143; E21B 17/012;
F16L 1/24; E02B 3/062
See application file for complete search history.

(56) **References Cited**

U.S. PATENT DOCUMENTS

- 3,237,221 A * 3/1966 Thomson B63B 21/20
174/101.5
- 3,755,829 A * 9/1973 Walklet E04H 4/143
4/497
- 3,786,521 A * 1/1974 Walklet E04H 4/143
4/497
- 4,048,677 A * 9/1977 Kajlich E04H 4/143
4/497
- 4,052,755 A * 10/1977 Baker E04H 4/143
4/497

- 4,386,919 A * 6/1983 Kadono F16L 1/24
285/419
- 4,616,369 A * 10/1986 Rademacher E04H 4/143
4/497
- 4,985,007 A * 1/1991 Ellis E04H 4/143
248/301
- D319,284 S * 8/1991 Kiefer D23/200
- D329,486 S * 9/1992 Park D21/803
- 5,330,378 A * 7/1994 Park B63B 21/20
114/267
- 5,520,562 A * 5/1996 Eddy E04H 4/143
4/497
- 5,558,459 A * 9/1996 Odenbach E02B 3/062
405/21
- 6,270,387 B1 * 8/2001 Nesheim E21B 17/012
441/133
- 10,072,434 B1 * 9/2018 Liu E04H 4/143

* cited by examiner

Primary Examiner — George D. Kirschbaum

(57) **CLAIM**

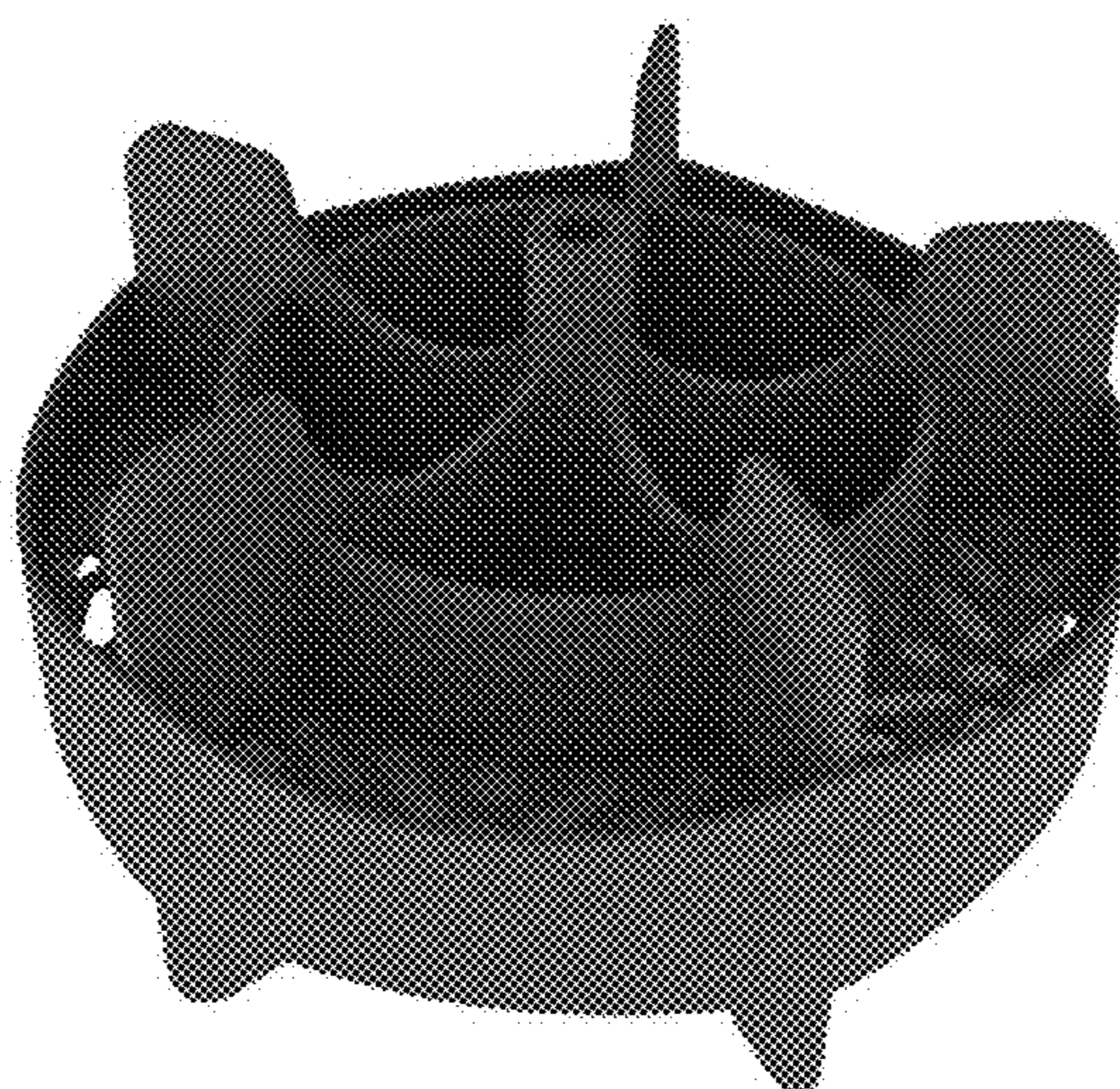
The ornamental design for a part of swimming pool divider for swimming matches, as shown and described.

DESCRIPTION

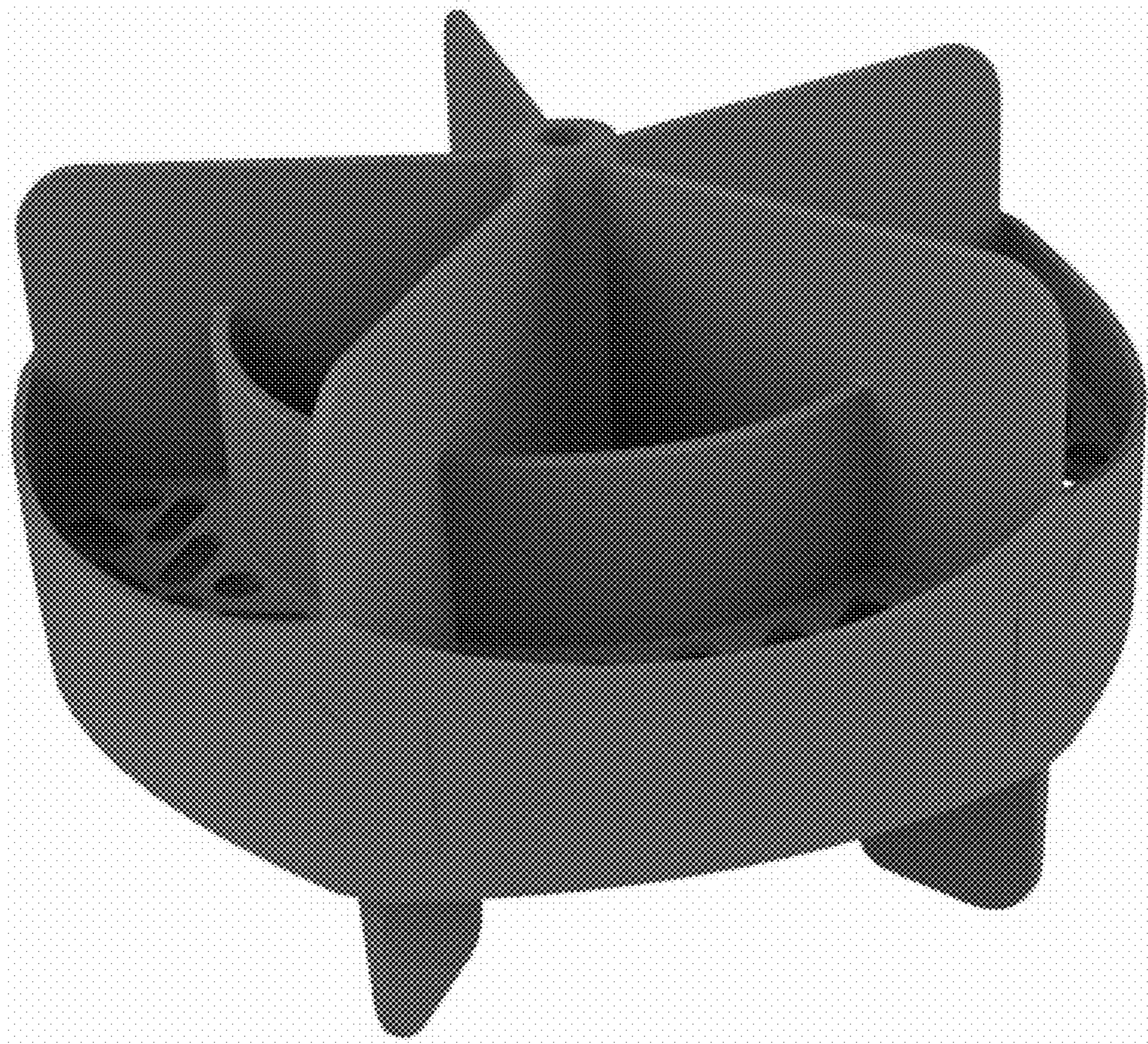
The patent or application file contains at least one drawing executed in color. Copies of this patent or patent application publication with color drawing(s) will be provided by the Office upon request and payment of the necessary fee.

- 1. Part of swimming pool divider for swimming matches
- 1.1 : Perspective
- 1.2 : Front
- 1.3 : Back
- 1.4 : Top
- 1.5 : Bottom
- 1.6 : Left
- 1.7 : Perspective bottom

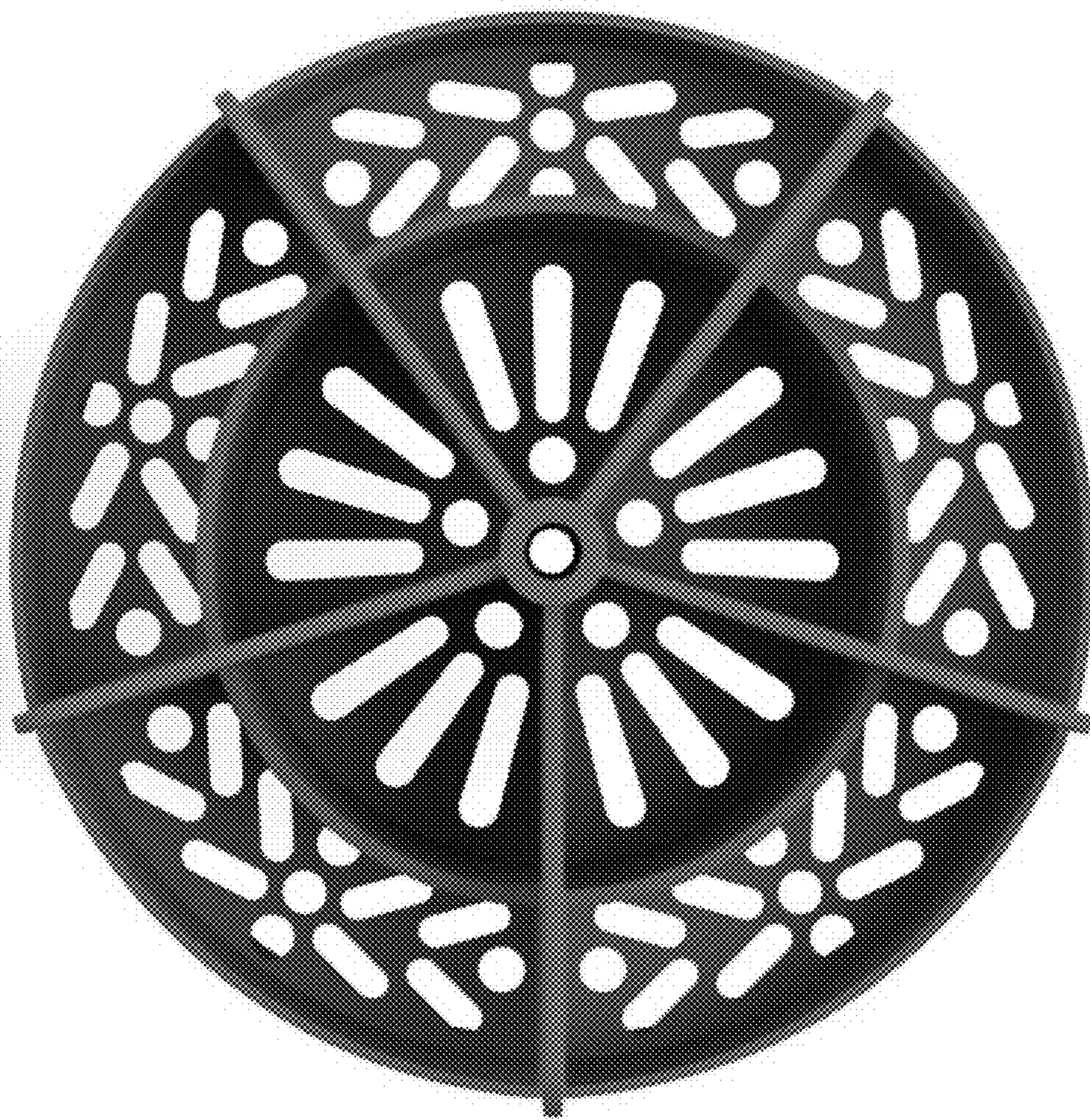
1 Claim, 7 Drawing Sheets
(7 of 7 Drawing Sheet(s) Filed in Color)



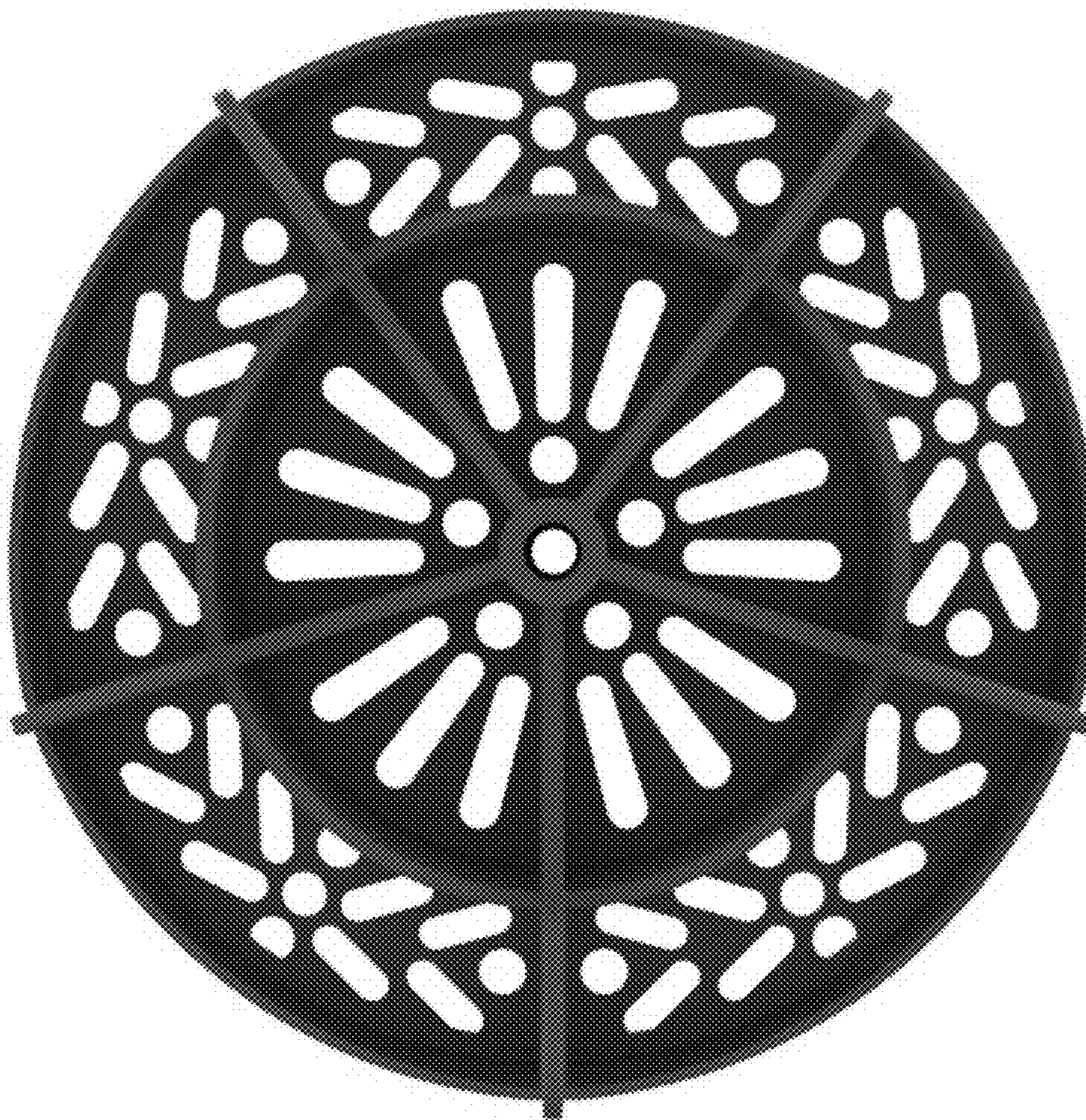
1.1



1.2



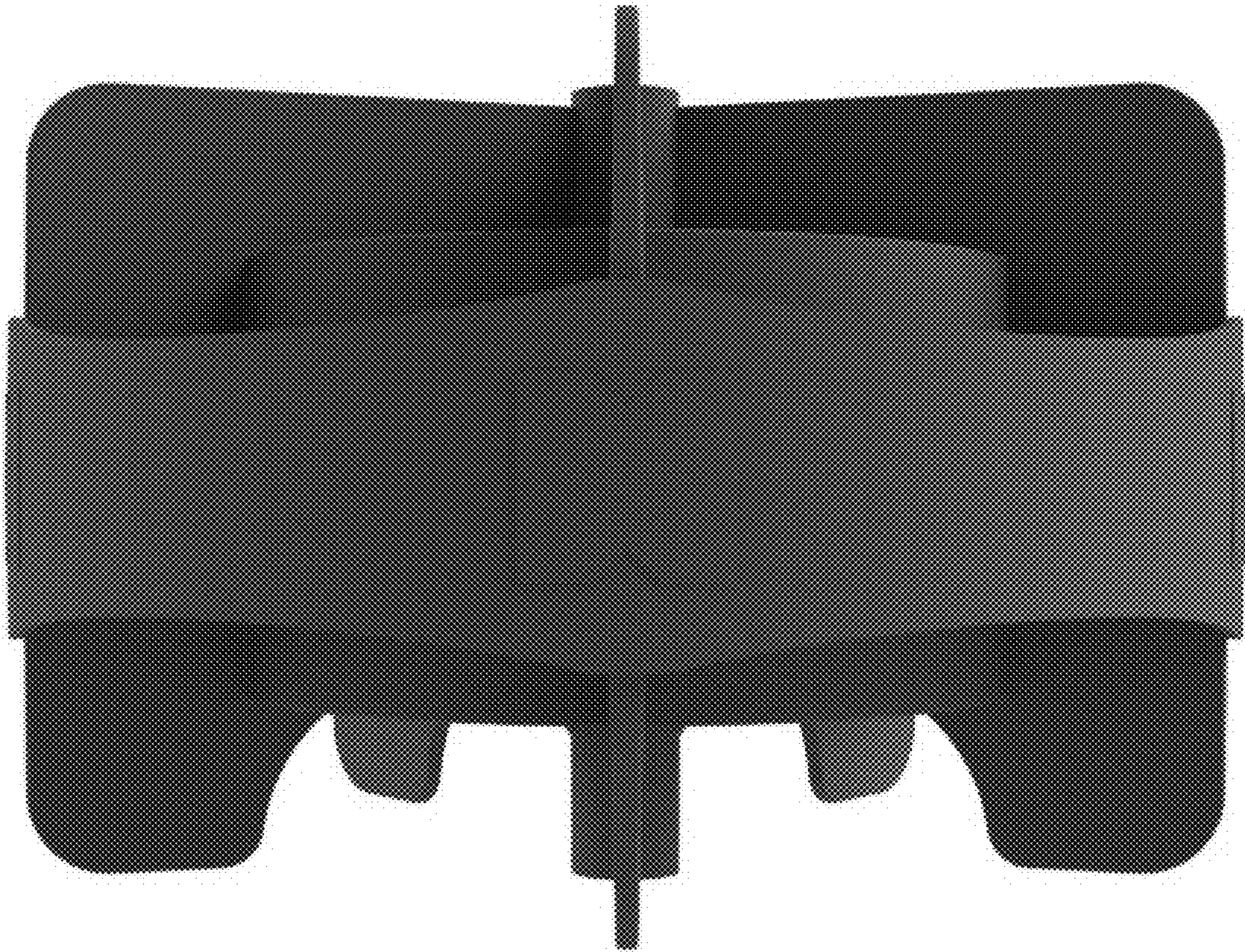
1.3



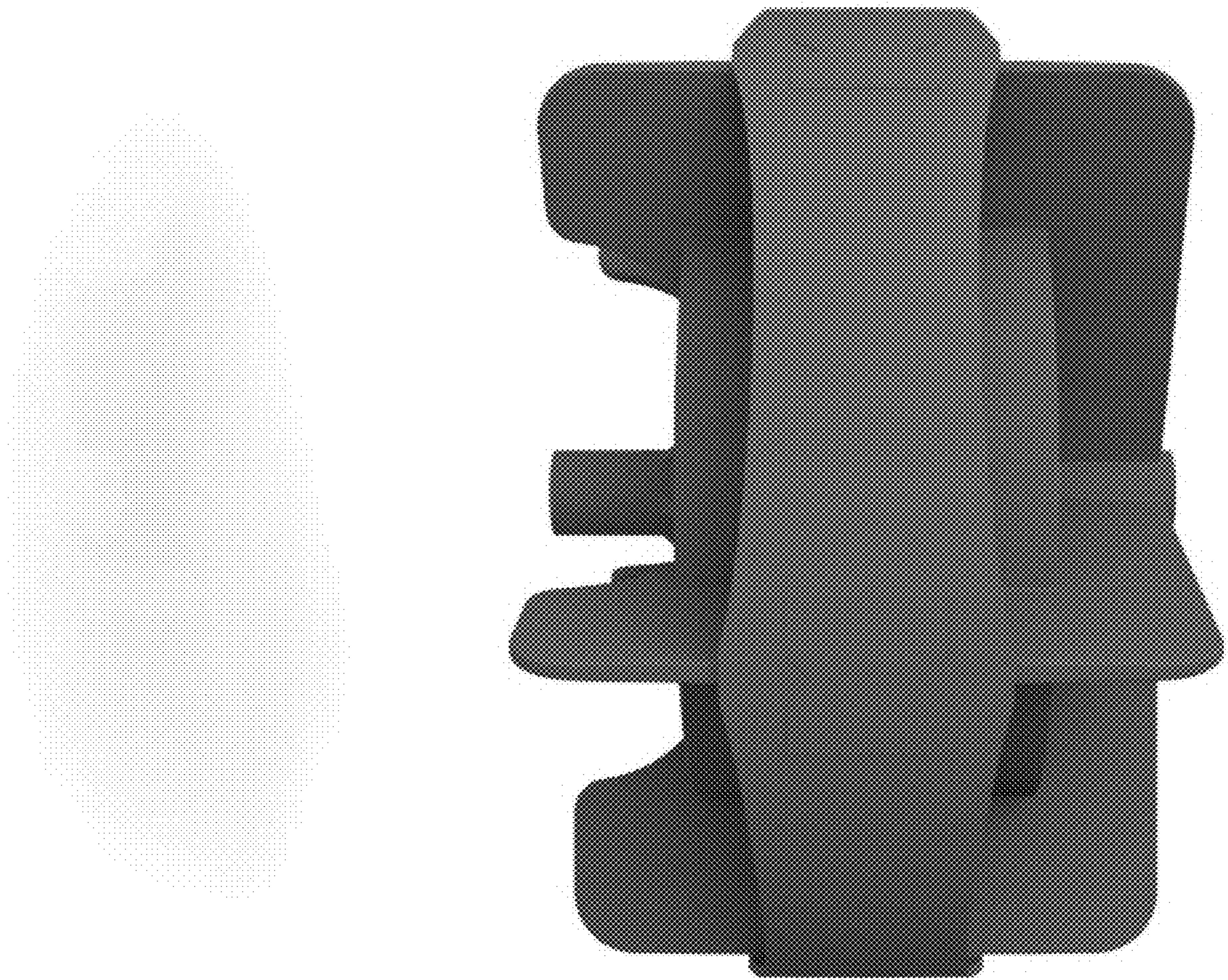
1.4



1.5



1.6



1.7

