



US00D866687S

(12) **United States Design Patent** (10) **Patent No.:** **US D866,687 S**
Hume et al. (45) **Date of Patent:** **** Nov. 12, 2019**

- (54) **EXERCISE DEVICE FOR SQUAT MOVEMENT** 6,834,916 B2 * 12/2004 Volkman A47C 3/029
 297/270.1
 D523,251 S * 6/2006 Parpala D6/352
 D557,909 S * 12/2007 LaSorsa D6/349
 7,478,878 B2 * 1/2009 Oettinger A47C 3/029
 297/271.5
 D664,779 S * 8/2012 Weber A47C 3/029
 D6/349
 D686,829 S * 7/2013 Elmaleh D6/352
 D716,570 S * 11/2014 Keen D6/349
 8,998,319 B2 * 4/2015 Bahneman A47C 9/00
 297/195.11
 D740,041 S * 10/2015 Chadwick A47C 3/029
 D6/352
 D746,073 S * 12/2015 Elmaleh D6/349
 D764,200 S * 8/2016 Elmaleh D6/349
 D801,064 S * 10/2017 Von Boetticher D6/352

(Continued)

- (**) **Term:** **15 Years**
 (21) **Appl. No.:** **29/614,275**
 (22) **Filed:** **Aug. 17, 2017**

(30) **Foreign Application Priority Data**

Feb. 20, 2017 (GB) 6007566

(51) **LOC (12) Cl.** **21-02**

(52) **U.S. Cl.**
 USPC **D21/692**

(58) **Field of Classification Search**
 USPC D3/9; D6/352, 349, 716, 353;
 297/195.11, 313, 217.4, 271.5, 271,
 297/270.5; 248/158; D27/124
 CPC A61G 5/14; A47C 9/002; A47C 9/025;
 A47C 7/029; Y10S 297/10
 See application file for complete search history.

(56) **References Cited**

U.S. PATENT DOCUMENTS

- D78,726 S * 6/1929 Baylis D27/124
 3,312,437 A * 4/1967 Barth A47C 3/029
 248/158
 D283,856 S * 5/1986 Elmaleh D6/349
 D329,538 S * 9/1992 Rau D3/13
 D454,438 S * 3/2002 Volkman A47C 9/027
 D6/349
 D474,039 S * 5/2003 Zemp D6/349

Primary Examiner — Ryan Harvey

(74) *Attorney, Agent, or Firm* — Eversheds Sutherland (US) LLP

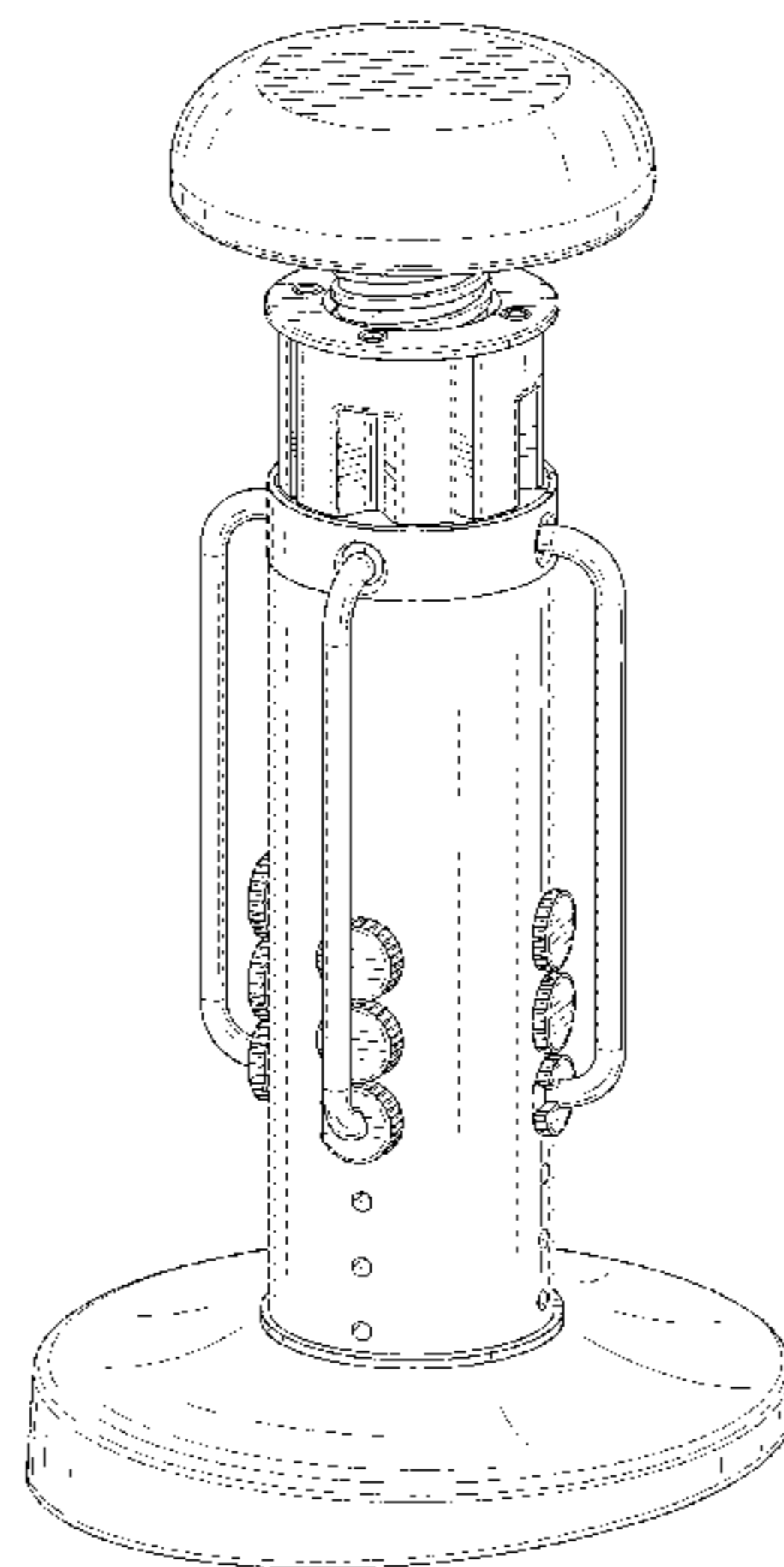
(57) **CLAIM**

The ornamental design for an exercise device for squat movement, as shown and described.

DESCRIPTION

FIG. 1 is a perspective view of an exercise device for squat movement;
 FIG. 2 is a perspective view thereof;
 FIG. 3 is a side view thereof;
 FIG. 4 is a side view thereof;
 FIG. 5 is a front view thereof;
 FIG. 6 is a rear view thereof;
 FIG. 7 is a top view thereof; and,
 FIG. 8 is a bottom view thereof.
 The broken line showing portions of the exercise device for squat movement depicts environment and forms no part of the claim.

1 Claim, 8 Drawing Sheets



(56)

References Cited

U.S. PATENT DOCUMENTS

D801,714	S *	11/2017	Elmaleh	D6/352
D803,592	S *	11/2017	Lenz	D6/349
9,833,076	B2 *	12/2017	Walker	A47C 7/563
D806,414	S *	1/2018	Elmaleh	D6/352
9,894,998	B2 *	2/2018	Walser	A47C 3/02
D812,387	S *	3/2018	Bahneman	D6/352
9,931,556	B2 *	4/2018	Cosma	A63B 69/04
D823,624	S *	7/2018	Elmaleh	D6/716
D837,545	S *	1/2019	Jahns	D6/349
10,219,632	B2 *	3/2019	Mengshoel	A47C 3/027
2002/0043868	A1 *	4/2002	Glockl	A47C 3/027 297/452.1
2003/0164633	A1 *	9/2003	Jakus	A47C 9/002 297/271.5
2007/0138850	A1 *	6/2007	Oettinger	A47C 3/029 297/271.5
2008/0007098	A1 *	1/2008	Girard	A47C 9/025 297/195.1
2009/0001788	A1 *	1/2009	Lenz	A47C 9/002 297/217.4
2011/0175414	A1 *	7/2011	Asbjornsen	A47C 9/002 297/313
2013/0334846	A1 *	12/2013	Bahneman	A47C 9/00 297/195.11
2016/0038780	A1 *	2/2016	Hugou	A47C 3/029 482/8
2017/0311726	A1 *	11/2017	Danielson	A47C 3/029
2017/0354258	A1 *	12/2017	Keen	A47C 7/029
2018/0199719	A1 *	7/2018	Keen	A47C 7/029
2019/0083845	A1 *	3/2019	Bouldstridge Balari	A63B 23/03525

* cited by examiner

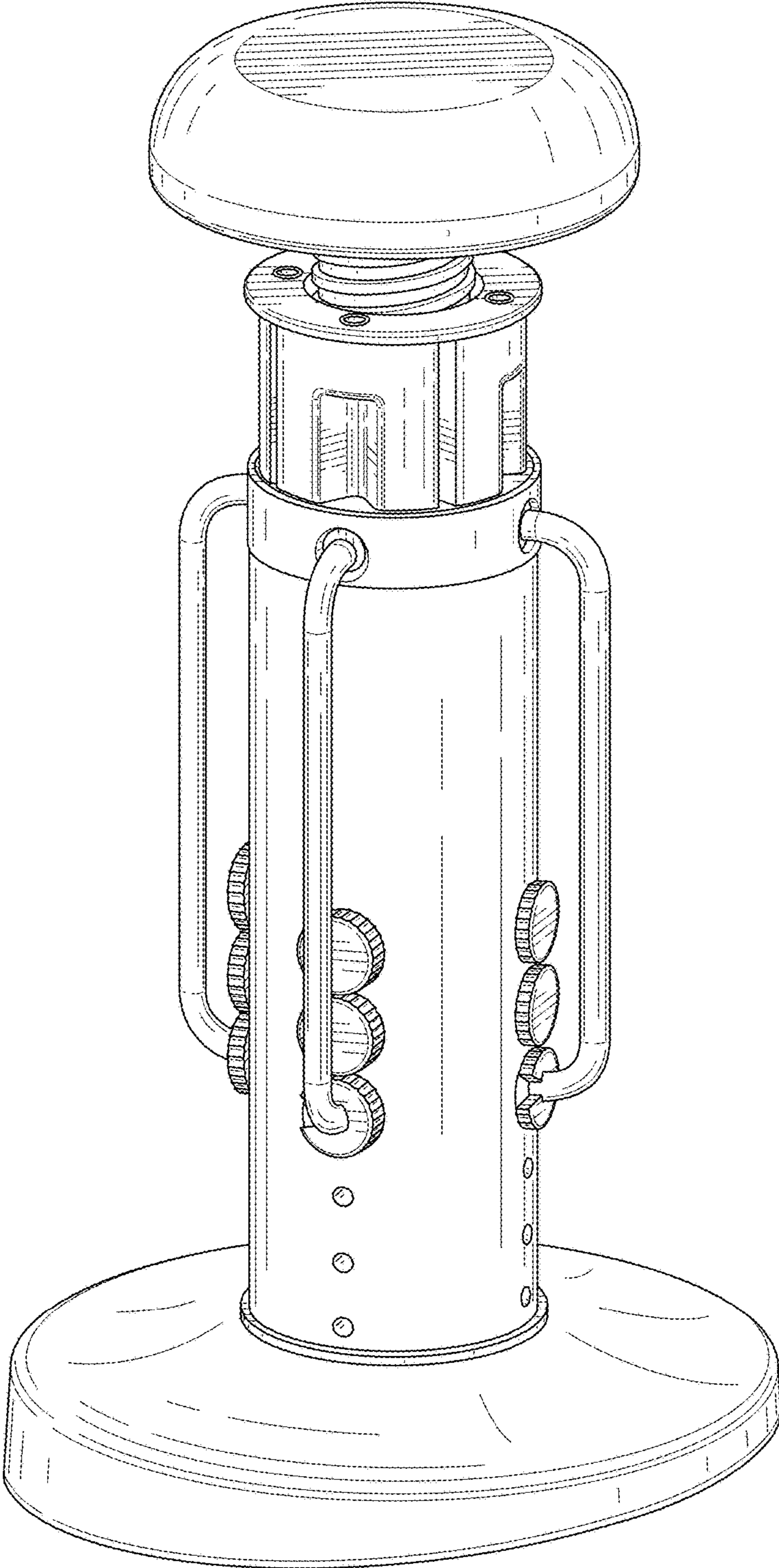


FIG. 1

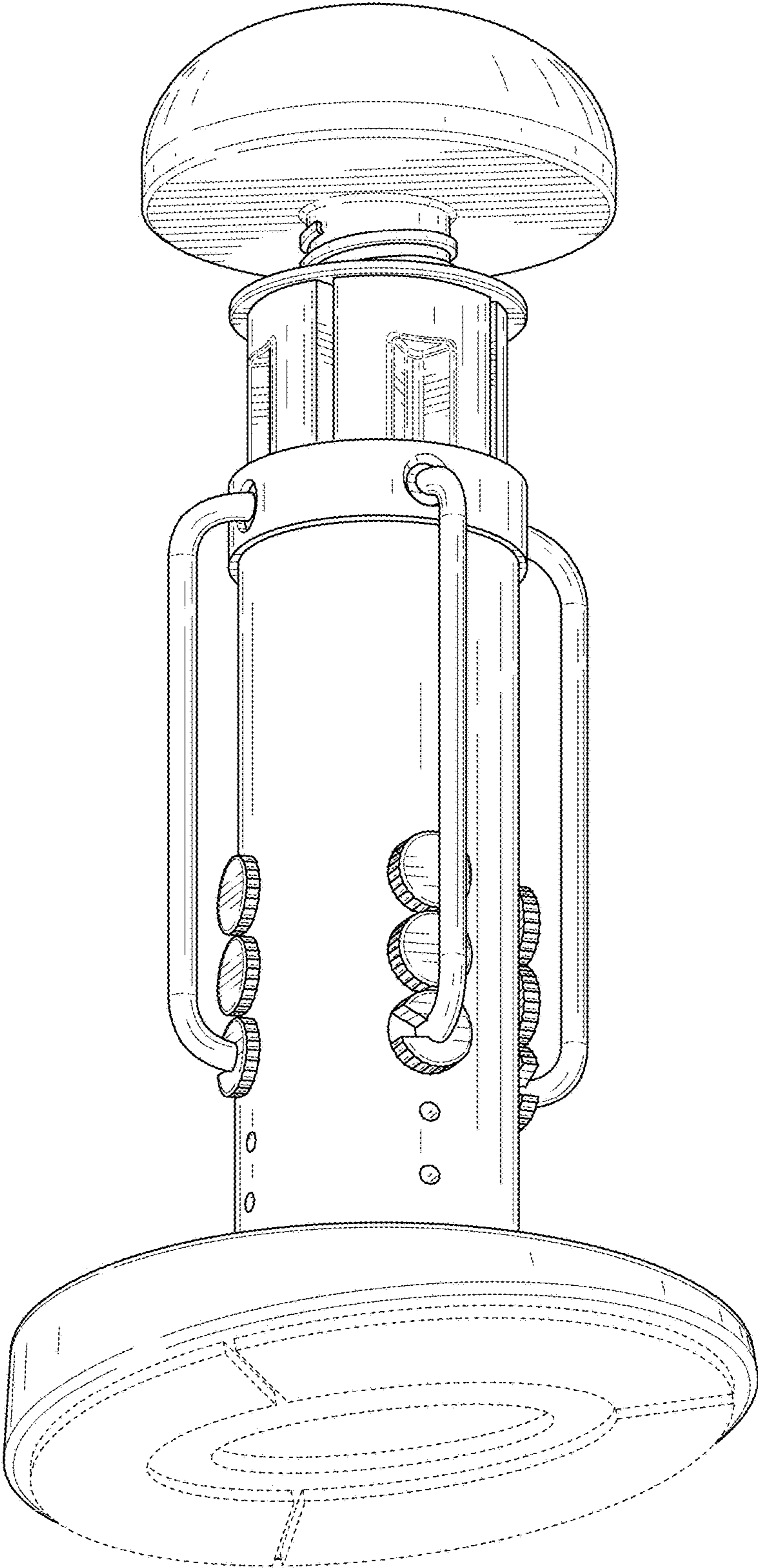


FIG. 2

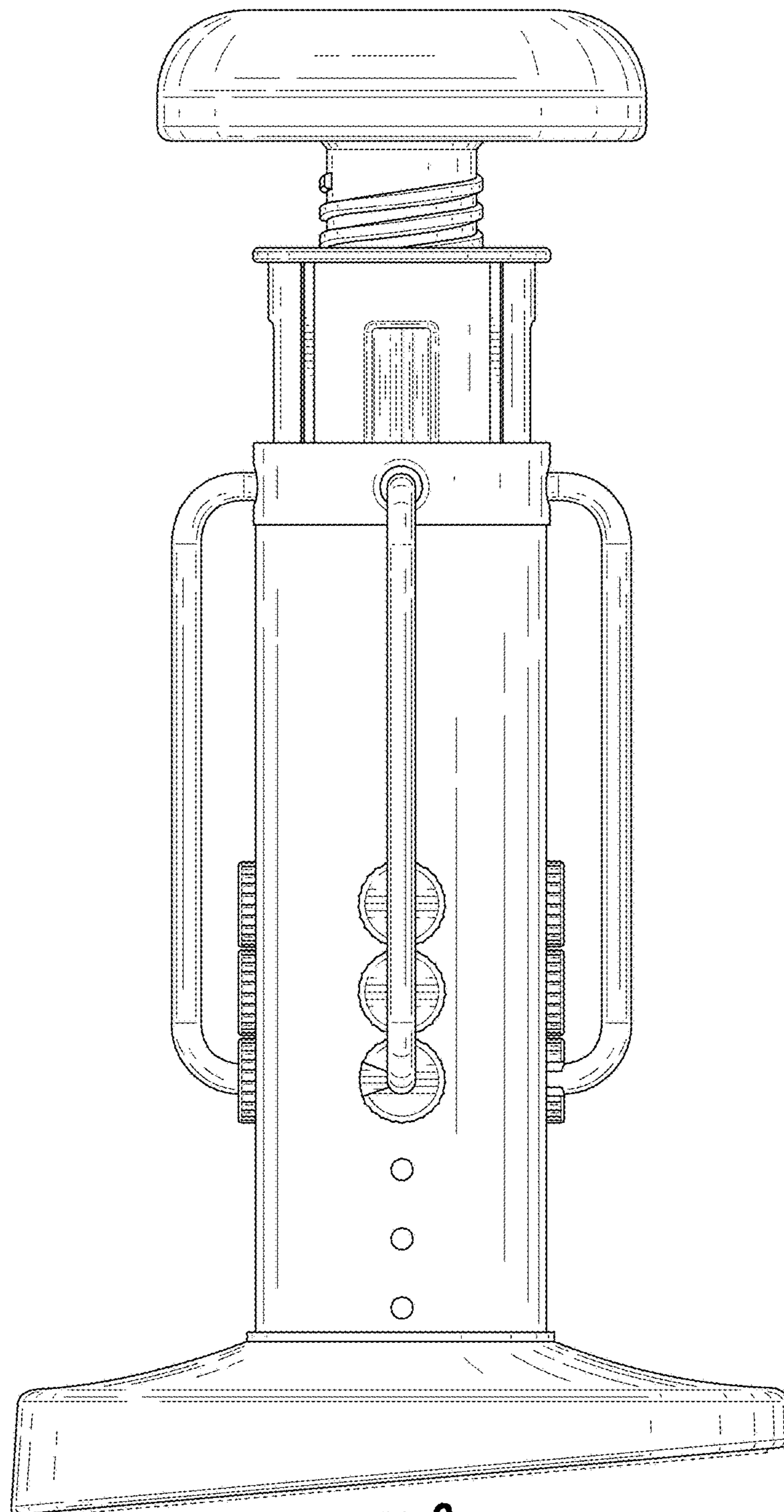


FIG. 3

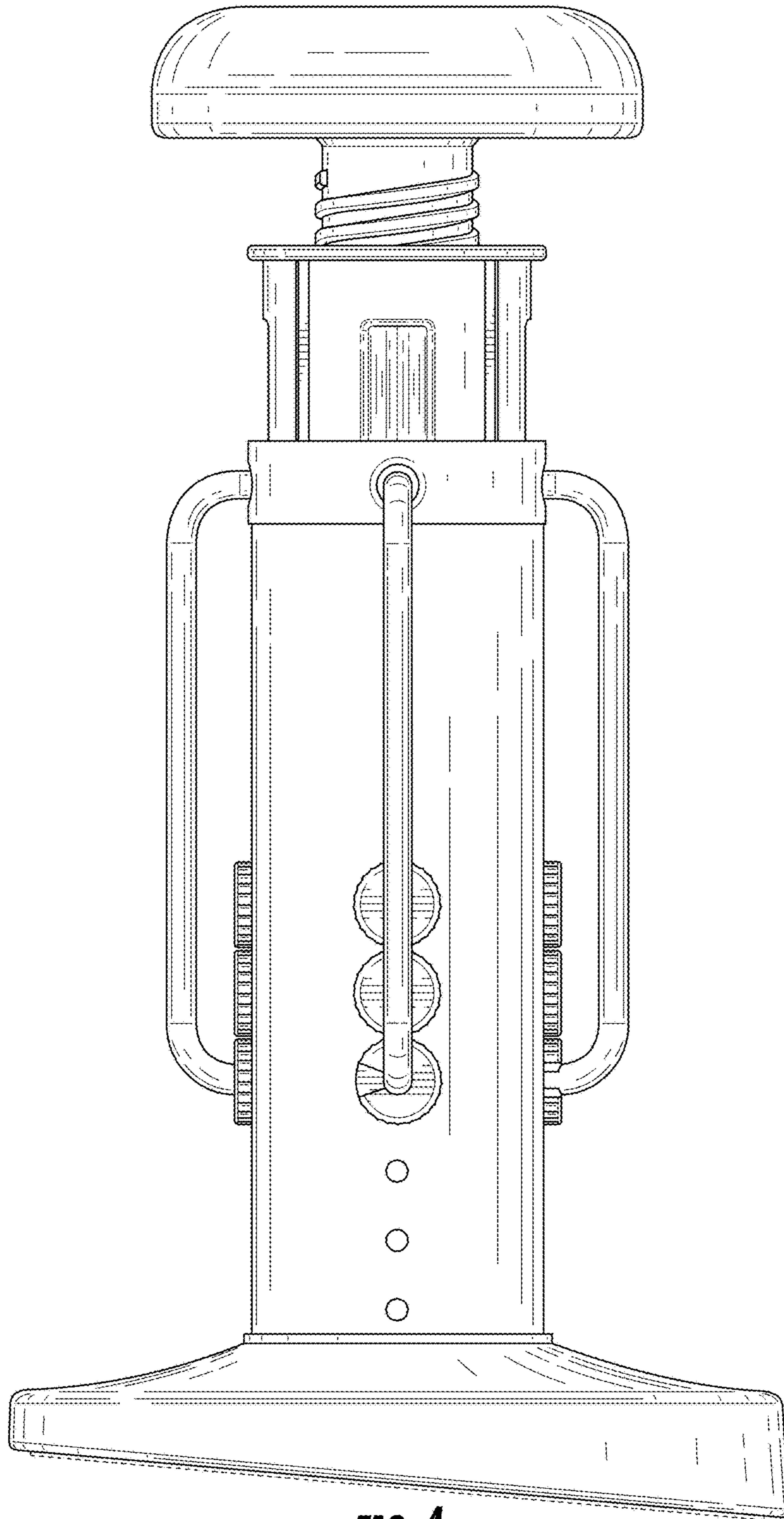


FIG. 4

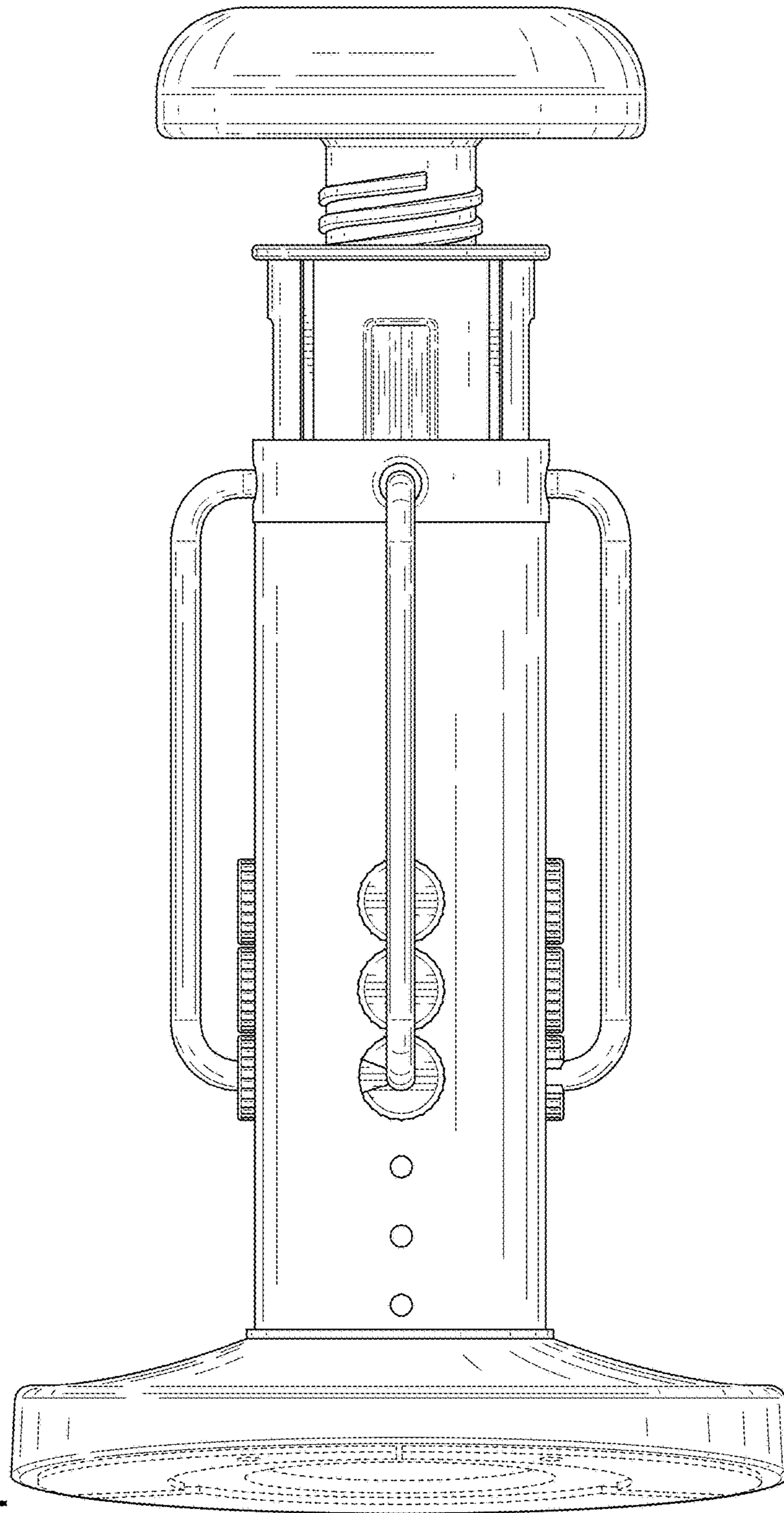


FIG. 5

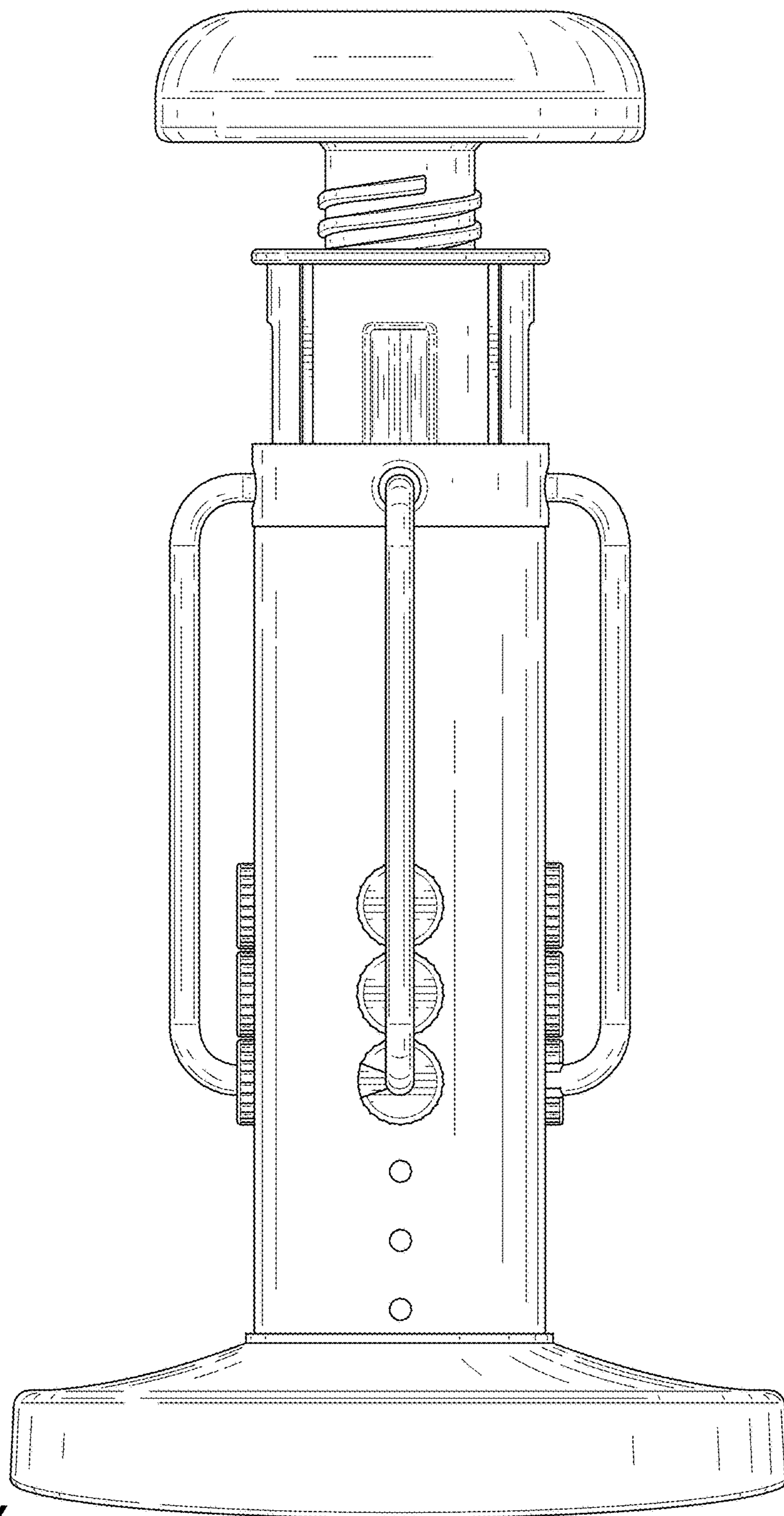


FIG. 6

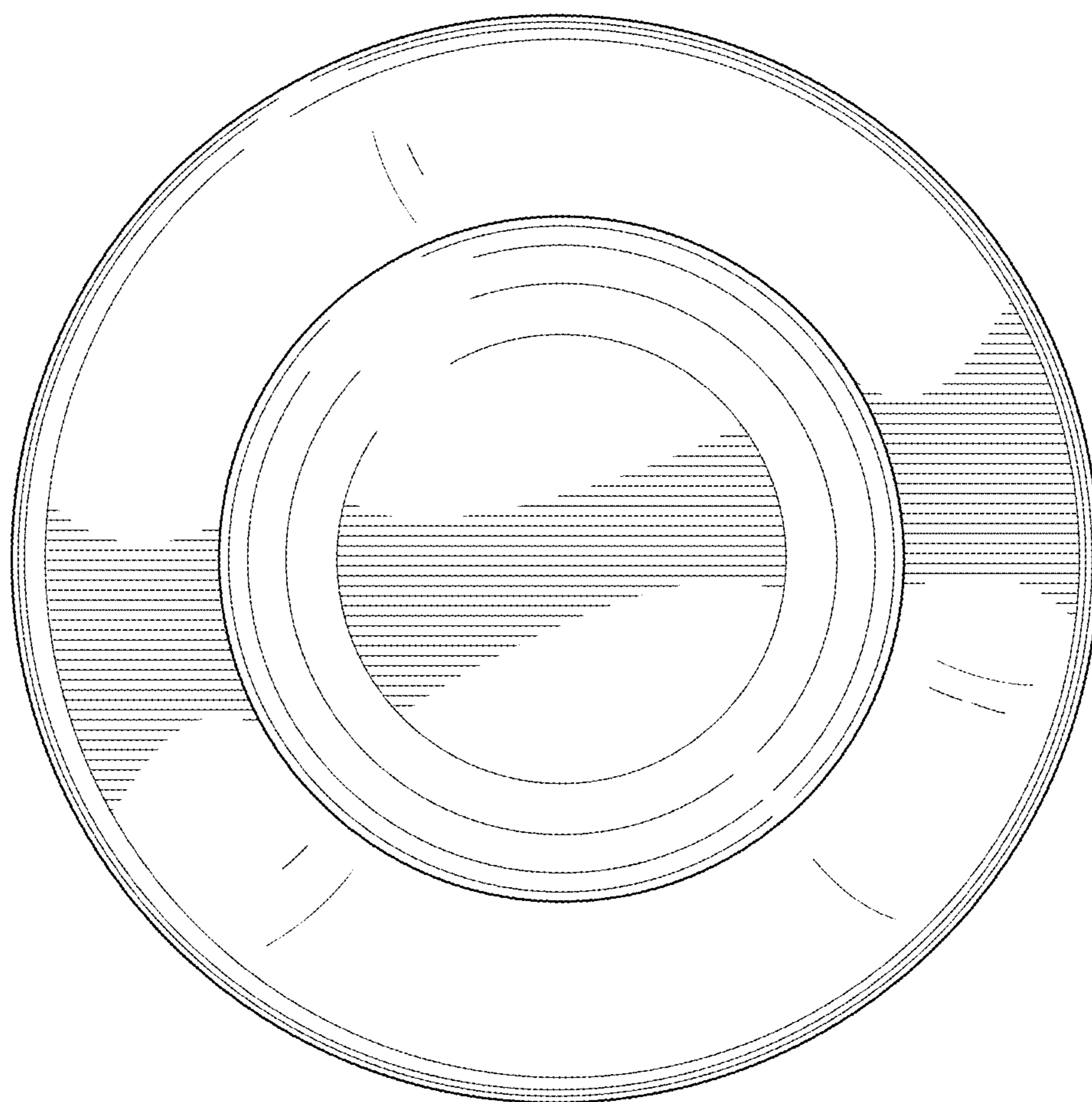


FIG. 7

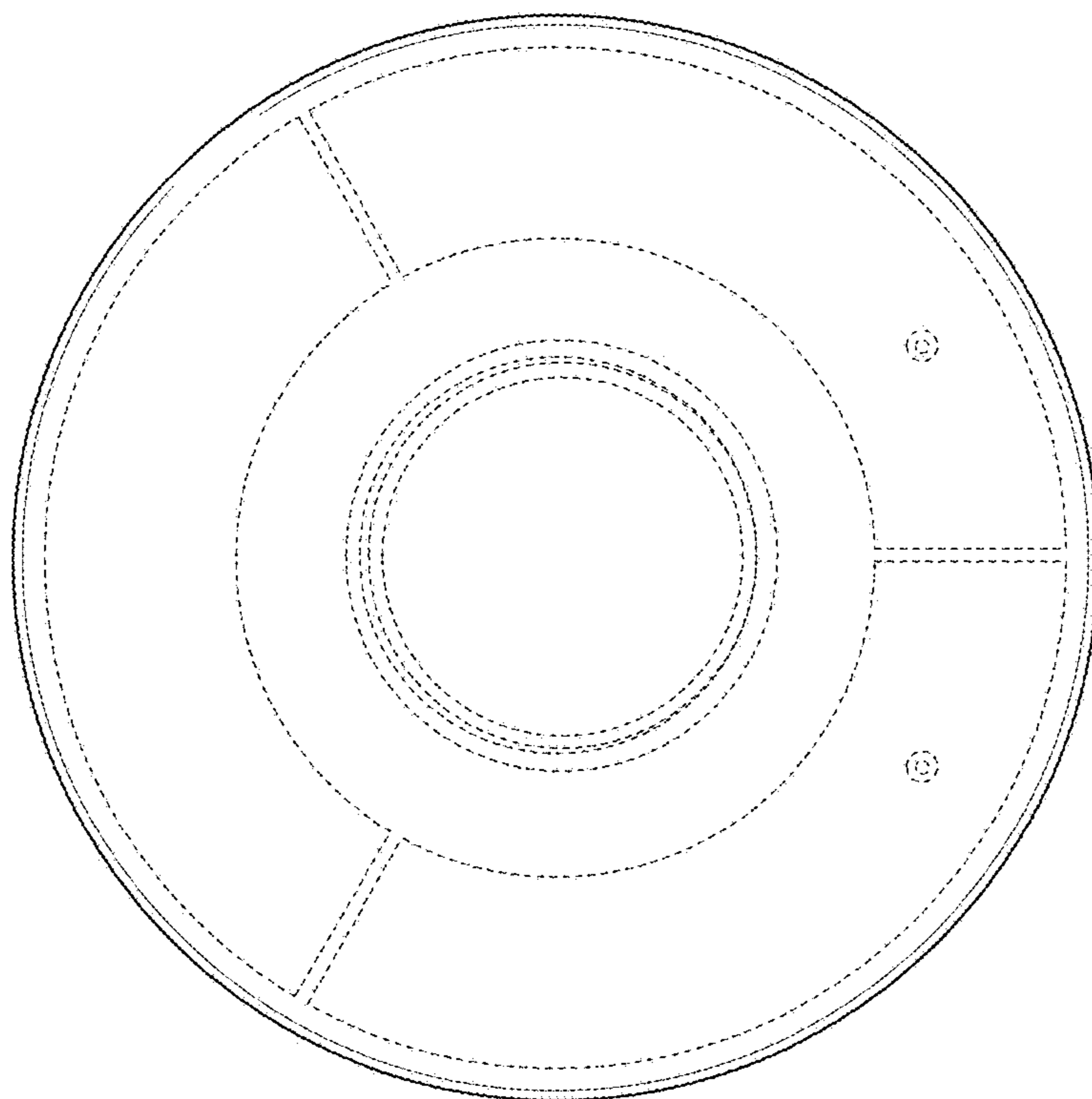


FIG. 8