



US00D866683S

(12) **United States Design Patent** (10) **Patent No.:** **US D866,683 S**
Ewing et al. (45) **Date of Patent:** **** Nov. 12, 2019**

(54) **REAR AXLE ASSEMBLY FOR A MODEL VEHICLE**

(71) Applicant: **TRAXXAS LP**, McKinney, TX (US)

(72) Inventors: **Adam Cole Ewing**, McKinney, TX (US); **Otto Karl Allmendinger**, Rowlett, TX (US)

(73) Assignee: **TRAXXAS LP**, McKinney, TX (US)

(**) Term: **15 Years**

(21) Appl. No.: **29/623,927**

(22) Filed: **Oct. 27, 2017**

(51) **LOC (12) Cl.** **21-01**

(52) **U.S. Cl.**
USPC **D21/561**; D12/159; D12/160

(58) **Field of Classification Search**
USPC D12/159, 160; D21/561
CPC B60G 2200/10; B60G 2200/143; B60G 2200/156; B60G 2200/20; B60G 2200/21; B60G 2200/341; B60G 2204/1242; B60G 2300/026; F16H 57/0483; F16H 1/46; F16H 48/38; F16H 57/037; F16H 2057/02052; F16H 57/082

See application file for complete search history.

(56) **References Cited**

U.S. PATENT DOCUMENTS

1,377,905 A	5/1921	Martz
1,455,706 A	5/1923	Bower et al.
2,041,992 A	5/1936	Noel
2,083,085 A	6/1937	Marley
2,132,545 A	10/1938	Smith
2,547,435 A	4/1951	Bouchard
3,306,077 A	2/1967	Vincenzo
3,333,654 A	8/1967	Price-Stephens
3,767,221 A	10/1973	Asberg
D242,442 S	11/1976	Garrison

D246,451 S *	11/1977	Shealy	D12/160
4,509,932 A	4/1985	Weible		
4,632,203 A	12/1986	Krude		
D291,190 S *	8/1987	Davis	D12/160
4,690,656 A	9/1987	Friedman et al.		
D304,472 S	11/1989	Poulsen		
D304,473 S	11/1989	Poulsen		
D311,942 S	11/1990	Dideriksen		
D332,978 S	2/1993	Tsuchiya		
D341,560 S *	11/1993	Fabris	D12/160
5,338,247 A	8/1994	Miles		

(Continued)

OTHER PUBLICATIONS

Axial; Axial AX90046 SCX10 II Jeep Cherokee 1/10 Scale Electric 4WD; Aug. 2016.

(Continued)

Primary Examiner — Manpreet S Matharu

Assistant Examiner — Keith J Wilson

(74) *Attorney, Agent, or Firm* — Daryl R. Wright; Greg Carr

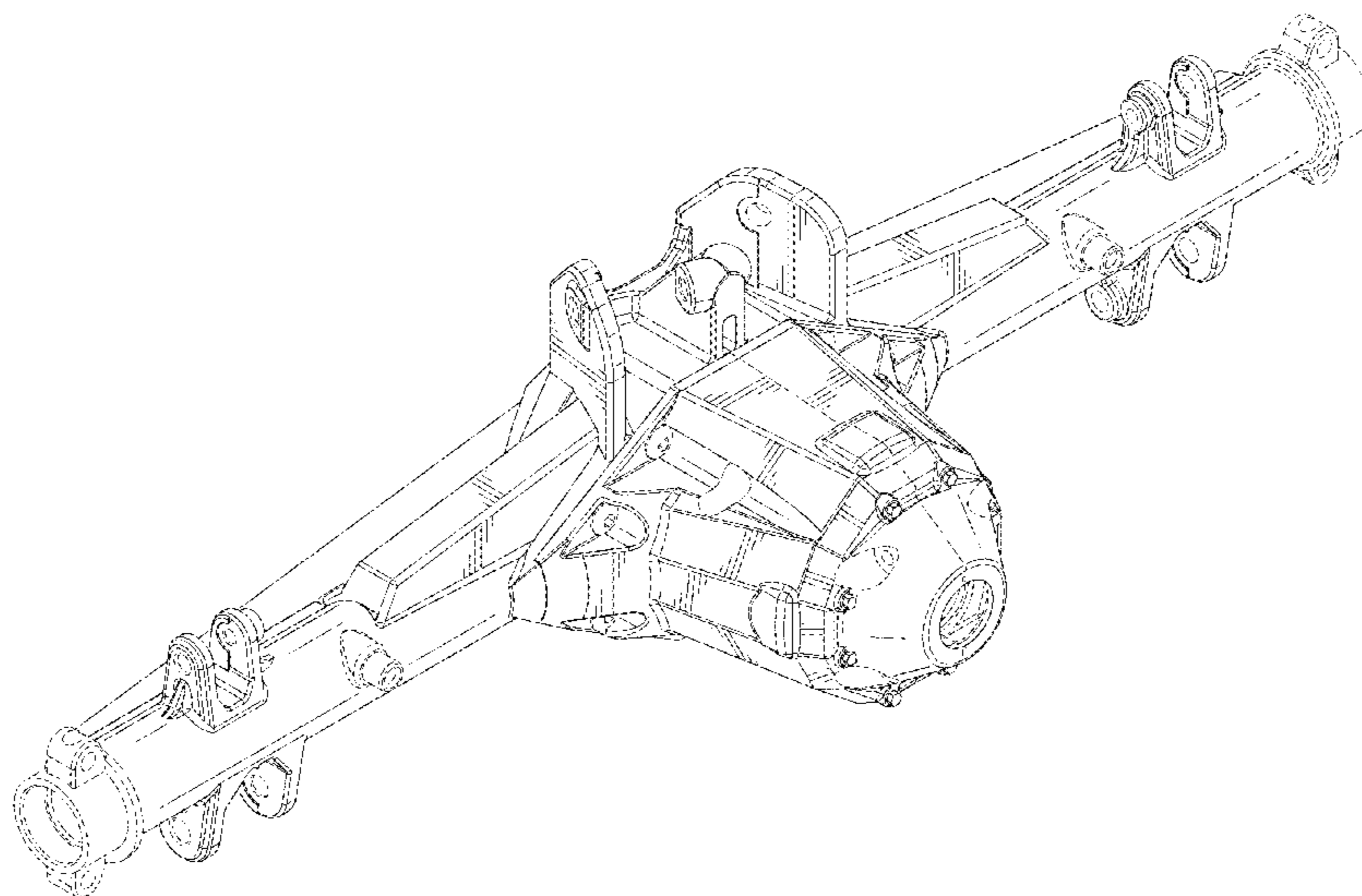
(57) **CLAIM**

We claim the ornamental design for a rear axle assembly for a model vehicle, as shown and described.

DESCRIPTION

FIG. 1 is a top, right, front perspective view of a rear axle assembly for a model vehicle;
FIG. 2 is front elevation view thereof;
FIG. 3 is a rear elevation view thereof;
FIG. 4 is a left side elevation view thereof;
FIG. 5 is a right side elevation view thereof;
FIG. 6 is a top plan view thereof;
FIG. 7 is a bottom plan view thereof; and,
FIG. 8 is a top, right, rear perspective view.
The broken line represents environment only and forms no part of the claimed design.

1 Claim, 6 Drawing Sheets



(56)

References Cited

U.S. PATENT DOCUMENTS

5,498,208 A 3/1996 Braun
D403,023 S 12/1998 Araki
5,954,586 A 9/1999 Kirson
6,394,878 B1 5/2002 Wang
6,416,136 B1 7/2002 Smith
6,478,709 B1 11/2002 Irwin et al.
6,513,614 B2 2/2003 Knutson et al.
6,773,353 B2 8/2004 Cornay et al.
6,820,707 B1 11/2004 Cantemir
7,144,326 B2 12/2006 Thompson
D564,951 S * 3/2008 Gile D12/160
7,410,440 B2 * 8/2008 Garcia B60B 35/08
29/401.1
7,810,604 B2 10/2010 Byers et al.
7,841,923 B2 11/2010 Marzetta et al.
D666,949 S * 9/2012 West D12/160
8,465,035 B2 * 6/2013 Gander B60B 35/04
280/124.1
D686,677 S 7/2013 Simonds
8,517,140 B2 * 8/2013 West B60G 3/20
180/360
8,574,022 B2 11/2013 Grisolia et al.
D713,301 S * 9/2014 Haviland D12/159
8,925,941 B2 * 1/2015 Cordier B60G 3/20
180/360
9,221,496 B2 * 12/2015 Barr B62D 21/11
9,267,596 B2 * 2/2016 Trost F16H 57/045
9,429,222 B2 * 8/2016 Bassi B60K 17/36
9,517,658 B2 * 12/2016 Chung F16H 48/08
D780,643 S * 3/2017 Hare D12/159
D785,513 S * 5/2017 Park D12/159
D798,198 S * 9/2017 Chen D12/159
D814,979 S * 4/2018 Cantuern D12/160
D823,735 S * 7/2018 Carlini D12/160
D826,340 S * 8/2018 Ewing D21/561
D827,054 S * 8/2018 Ewing D21/561
D834,111 S * 11/2018 Soward D21/561
2002/0065021 A1 5/2002 Wang
2002/0160688 A1 10/2002 Rehkemper et al.
2002/0165031 A1 11/2002 Riefe

2004/0005931 A1 1/2004 Wang et al.
2004/0231910 A1 11/2004 Mercier et al.
2005/0206222 A1 9/2005 Swanson
2006/0240897 A1 10/2006 Carlini et al.
2007/0293328 A1 12/2007 Mazziotti
2008/0238015 A1 10/2008 Duddling et al.
2009/0020973 A1 * 1/2009 Richardson B60G 3/18
280/124.17
2009/0029821 A1 * 1/2009 Martin, III B60G 3/20
475/231
2009/0039700 A1 2/2009 Gradu et al.
2009/0230650 A1 * 9/2009 Mayen B60G 3/20
280/124.1
2010/0007198 A1 * 1/2010 Armfield B60B 35/001
301/132
2011/0001350 A1 1/2011 Schmitz et al.
2011/0057408 A1 3/2011 Koschinat
2011/0079978 A1 * 4/2011 Schreiner B60G 3/20
280/124.1
2013/0278047 A1 10/2013 Gottschalk
2015/0354691 A1 * 12/2015 Keeney F16H 57/037
74/607
2016/0305531 A1 * 10/2016 Martin B60K 17/28
2017/0028517 A1 2/2017 Ferrari
2017/0074389 A1 * 3/2017 Bodary B60B 35/163
2017/0370465 A1 12/2017 Fast et al.
2019/0054816 A1 * 2/2019 Garcia B60K 11/02
2019/0054817 A1 * 2/2019 Garcia B60K 11/02
2019/0054818 A1 * 2/2019 Garcia B60K 17/02
2019/0063584 A1 * 2/2019 Annigeri F16H 57/0025

OTHER PUBLICATIONS

Bomber Fabrication; Bomber Fab Spidertrax Pro Series Inner C Gusset Kit; Aug. 2016.
Wikipedia; Dana 44 Axle; Aug. 2016.
Currie Enterprises; 70-0001IJ RockJock 70 High Pinion Housing Axle; Aug. 2016.
Xray; "TIR Raycer-Instruction Manual;" Xray Model Racing Cars, Trencin, Slovak Republic, Europe (admitted prior art).
Traxxas; "T-Maxx Assemblies-Front Assembly;" Traxxas LP, Plano, Texas (admitted prior art).

* cited by examiner

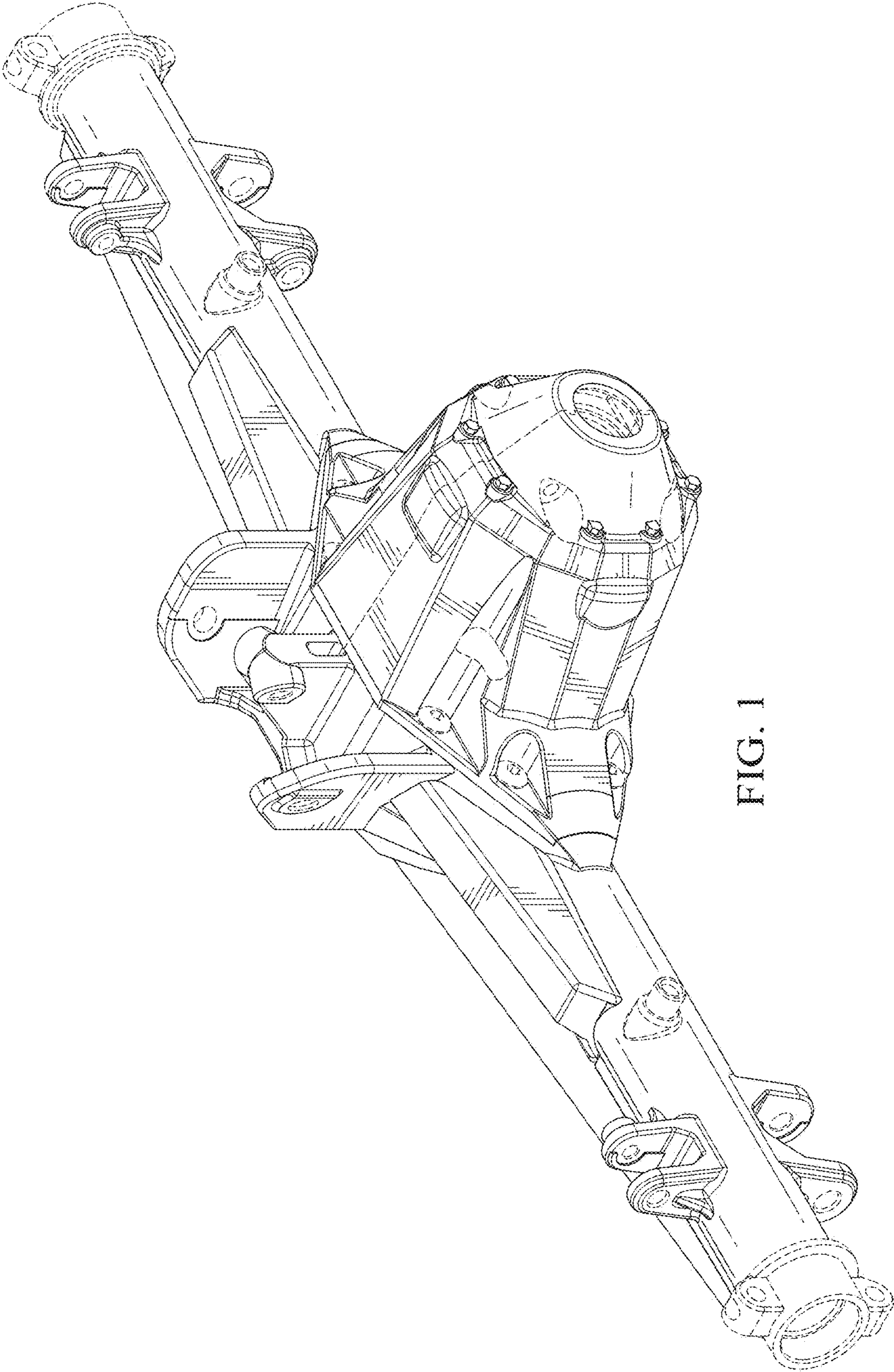


FIG. 1

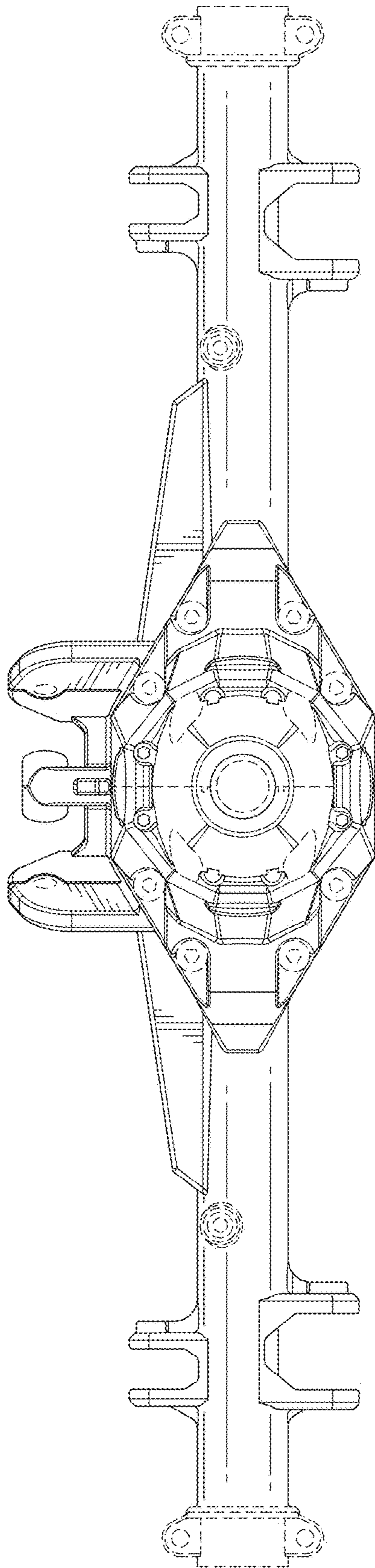


FIG. 2

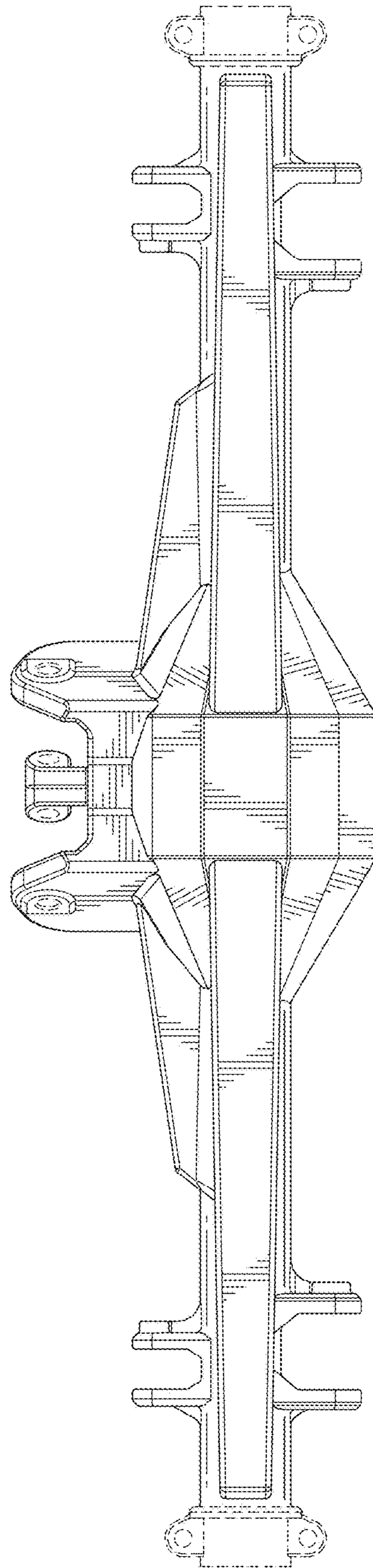


FIG. 3

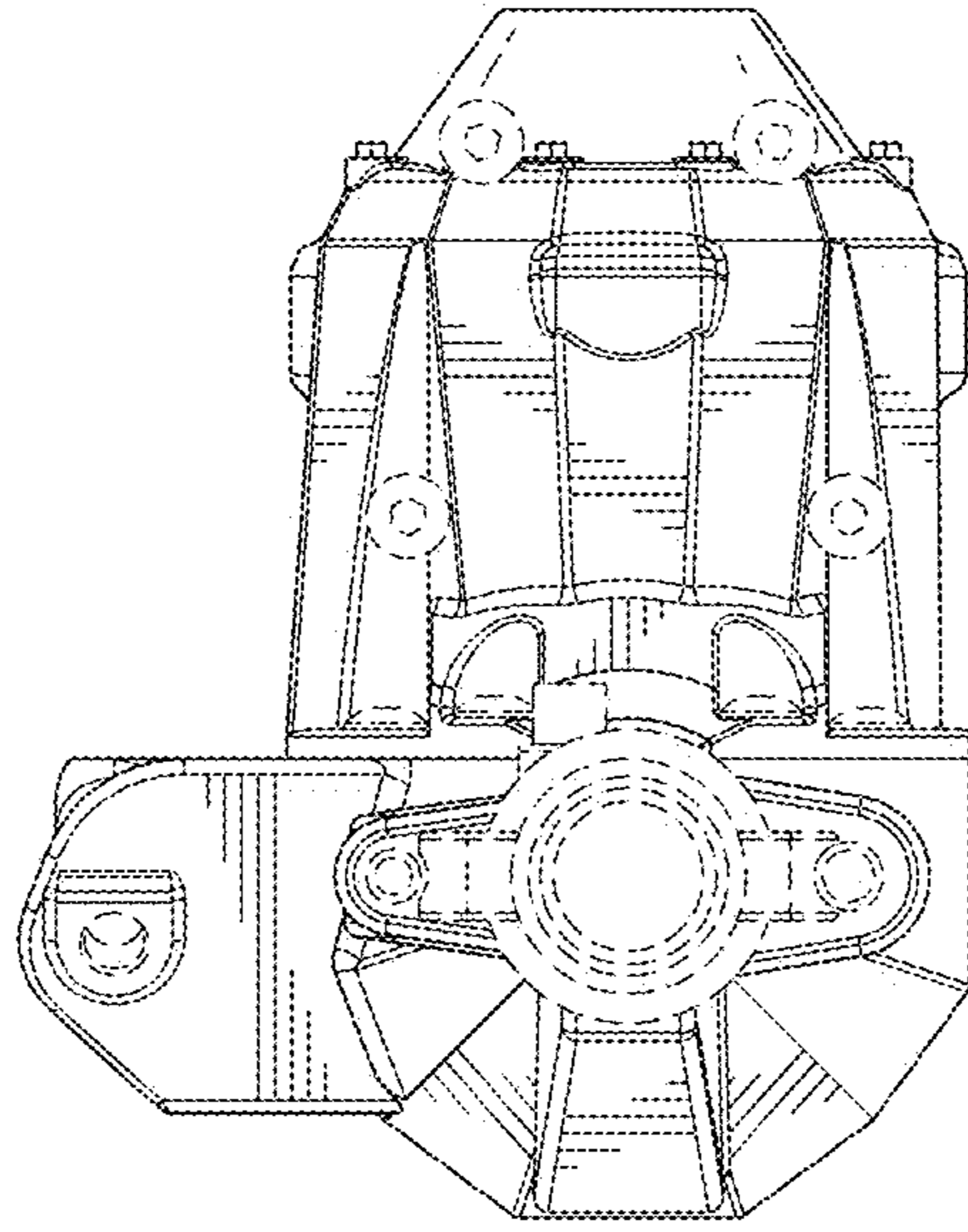


FIG. 5

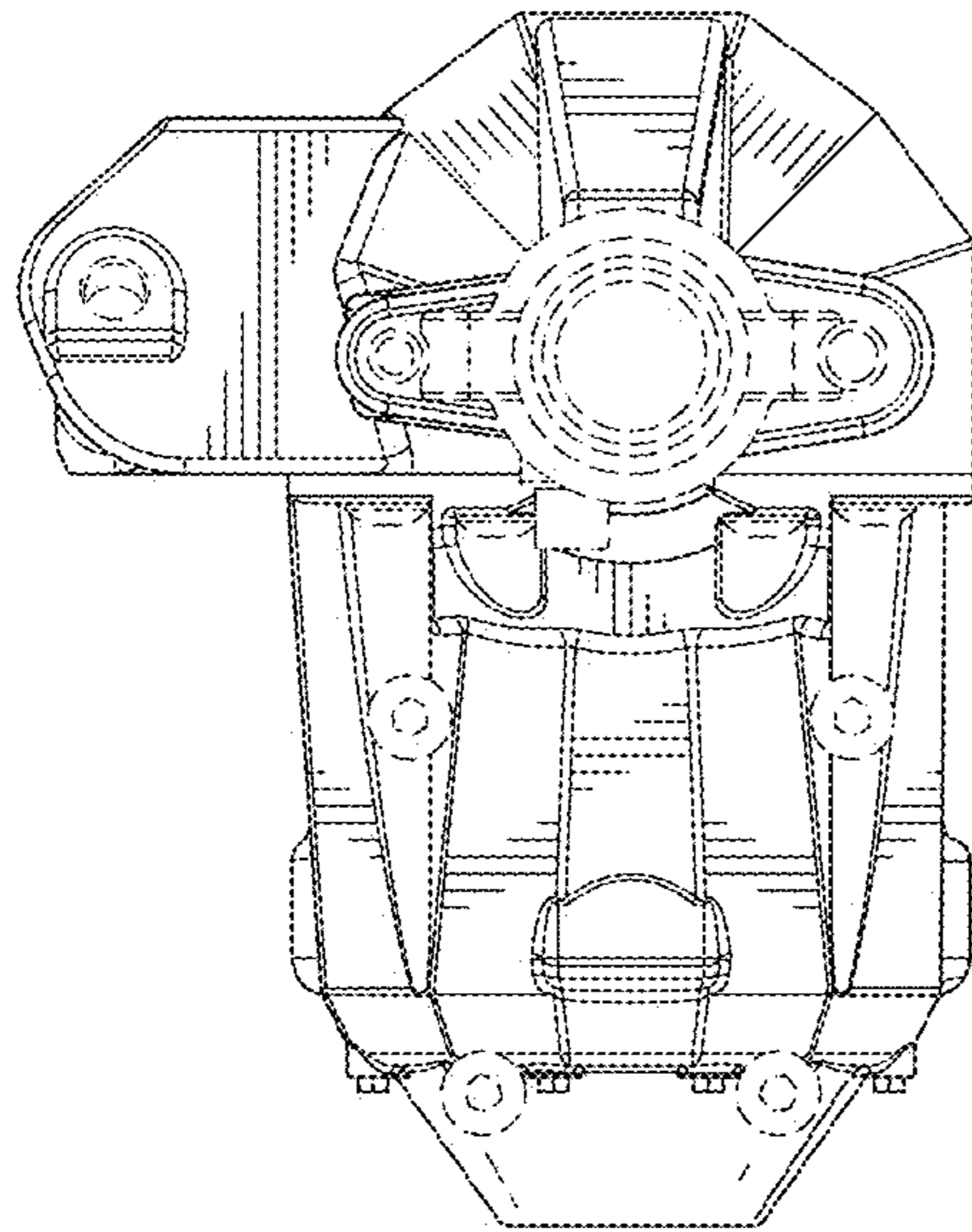


FIG. 4

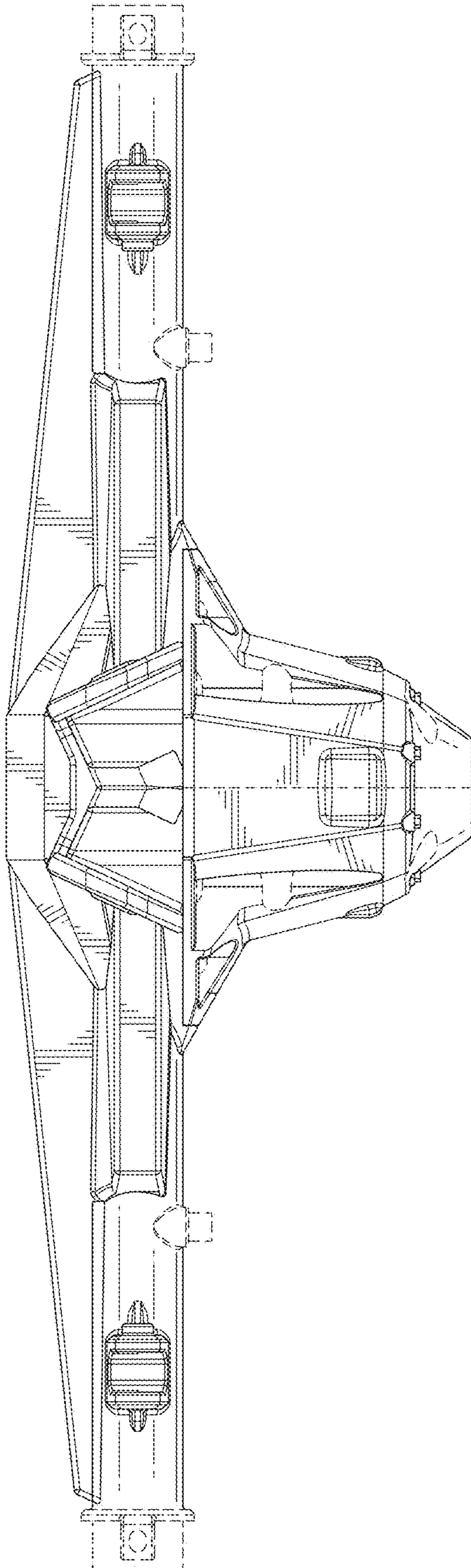


FIG. 6

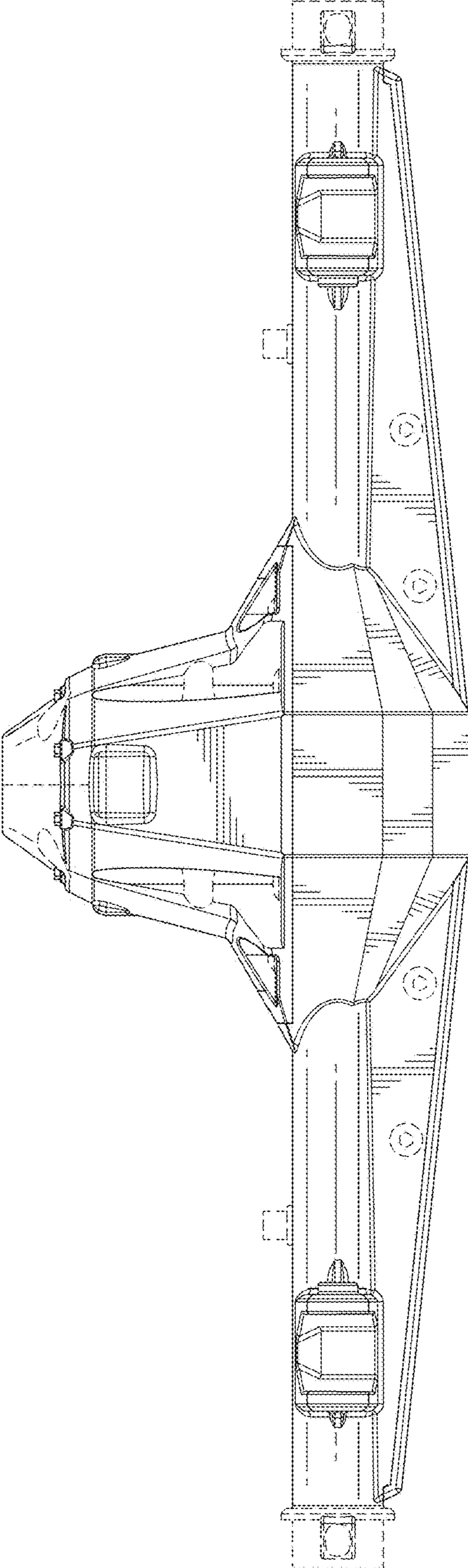


FIG. 7

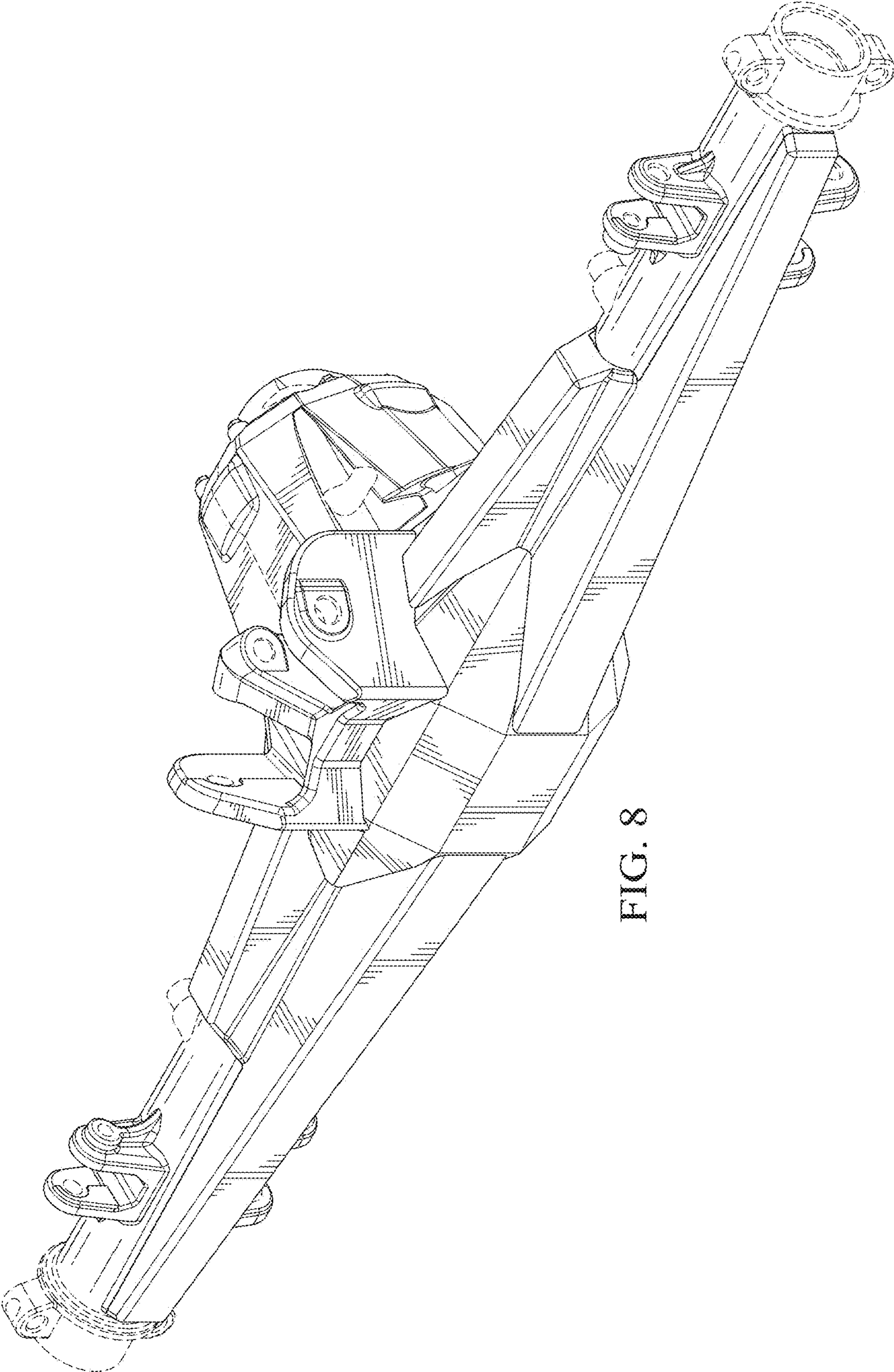


FIG. 8