

US00D866682S

(12) **United States Design Patent**  
**Hwang et al.**

(10) **Patent No.:** **US D866,682 S**

(45) **Date of Patent:** **\*\* Nov. 12, 2019**

- (54) **TOY BUILDING BLOCK**
- (71) Applicant: **Sohobricks LLC**, Yongin-si, Gyeonggi-do (KR)
- (72) Inventors: **Byeongjun Hwang**, Ansan-si (KR); **Kyoungbae Na**, Seoul (KR)
- (73) Assignee: **Sohobricks LLC**, Yongin-si (KR)
- (\*\*) Term: **15 Years**
- (21) Appl. No.: **29/659,745**
- (22) Filed: **Aug. 10, 2018**
- (51) **LOC (12) Cl.** ..... **21-01**
- (52) **U.S. Cl.**  
USPC ..... **D21/505**
- (58) **Field of Classification Search**  
USPC ..... D21/386, 389, 404, 468, 470, 471, 484-505  
CPC ..... A63H 33/00; A63H 33/04; A63H 33/044; A63H 33/06; A63H 33/08; A63H 33/084; A63H 33/086; A63H 33/088; A63H 33/10; A63H 33/12; A63H 33/105; A63H 33/108; A63H 3/00; A63H 3/16; A63H 3/46; E04C 1/00; E04C 1/40; E04B 2/14; E04B 2/16; E04B 2/18  
See application file for complete search history.

(56) **References Cited**

**U.S. PATENT DOCUMENTS**

- D234,706 S \* 4/1975 Harvey ..... D21/489
- D259,762 S \* 7/1981 Sabin ..... D21/505
- 4,385,467 A \* 5/1983 Samuels ..... A63F 9/1011  
273/157 R
- 4,964,834 A \* 10/1990 Myller ..... A63H 33/086  
446/118
- D311,939 S \* 11/1990 Andersen ..... D21/505
- D327,511 S \* 6/1992 Castillo ..... D21/479
- D350,791 S \* 9/1994 Refsing ..... D21/504
- D380,787 S \* 7/1997 Gabriel ..... D21/489
- D380,790 S \* 7/1997 Gabriel ..... D21/489

- D380,792 S \* 7/1997 Gabriel ..... D21/489
- 5,938,497 A \* 8/1999 Mott ..... A63H 33/10  
446/122
- 6,186,856 B1 \* 2/2001 Chen ..... A63H 33/04  
446/117
- 7,156,392 B2 \* 1/2007 Plein ..... A63F 9/1288  
273/156
- D669,759 S \* 10/2012 Castilleja ..... D8/354
- D681,421 S \* 5/2013 Bucci ..... D8/354
- D689,953 S \* 9/2013 Jensen ..... D21/485
- D714,876 S \* 10/2014 Jou ..... D21/386

**OTHER PUBLICATIONS**

Bricklink, "Tile, Modified 2x2 Triangular, Item No. 35787", added to website on Mar. 13, 2018. Accessed online on Sep. 24, 2018, at <<<https://www.bricklink.com/v2/catalog/catalogitem.page?P=35787&name=Tile,%20Modified%20%20x%20%20Triangular&category=%5BTile,%20Modified%5D#T=C>>>.

\* cited by examiner

*Primary Examiner* — Cynthia M. Chin  
(74) *Attorney, Agent, or Firm* — Novick, Kim & Lee, PLLC; Sang Ho Lee; Hyun Woo Shin

(57) **CLAIM**

We claim the ornamental design for a toy building block, as shown and described.

**DESCRIPTION**

FIG. 1 is a front, left side perspective view of a toy building block, showing our new design;  
FIG. 2 is a front, bottom perspective view thereof;  
FIG. 3 is a rear, left side perspective view thereof;  
FIG. 4 is a rear, right side perspective view thereof;  
FIG. 5 is a front elevational view thereof;  
FIG. 6 is a rear elevational view thereof;  
FIG. 7 is a left side elevational view thereof;  
FIG. 8 is a right side elevational view thereof;  
FIG. 9 is a top plan view thereof; and,  
FIG. 10 is a bottom plan view thereof.

**1 Claim, 7 Drawing Sheets**

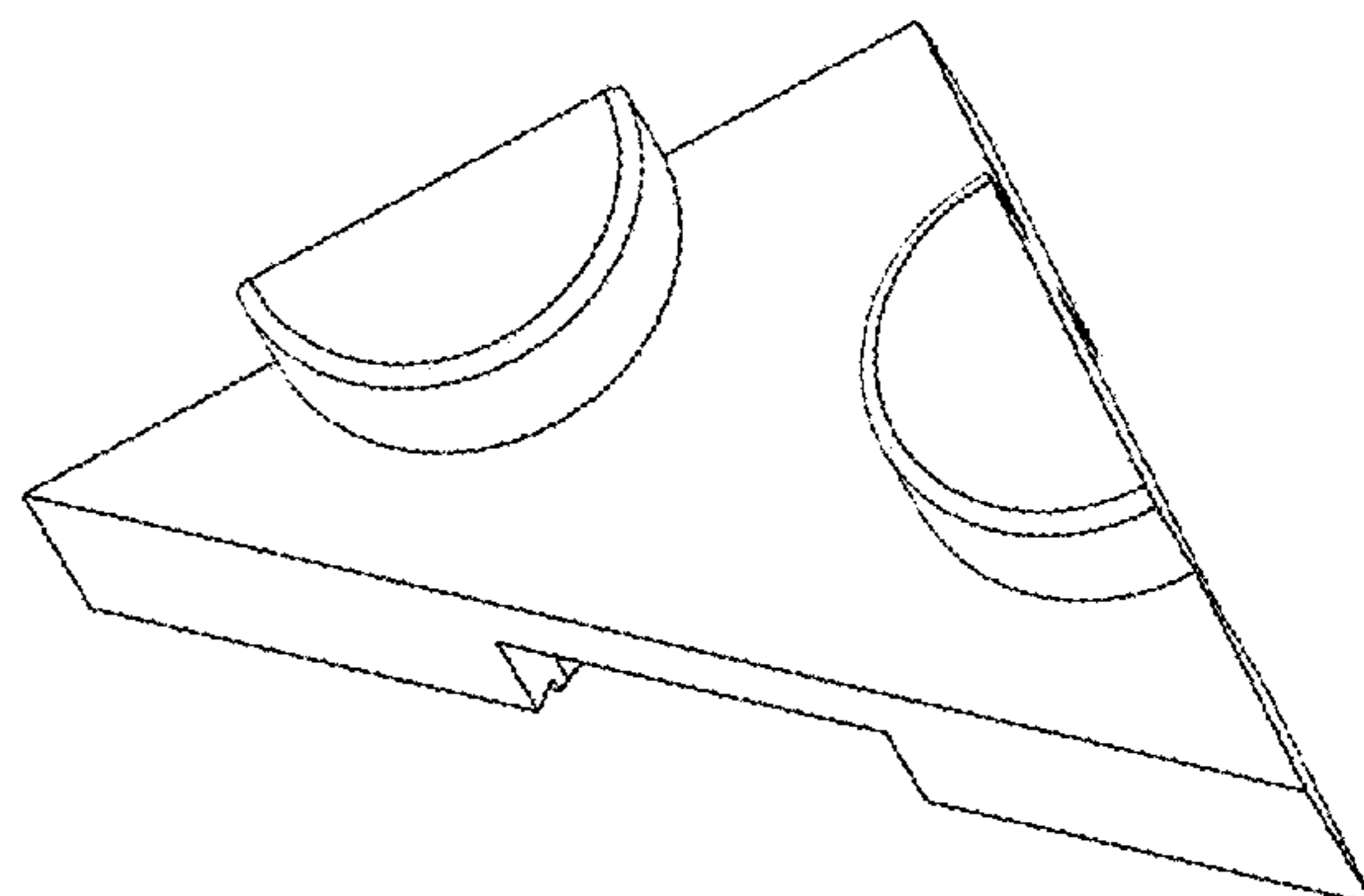
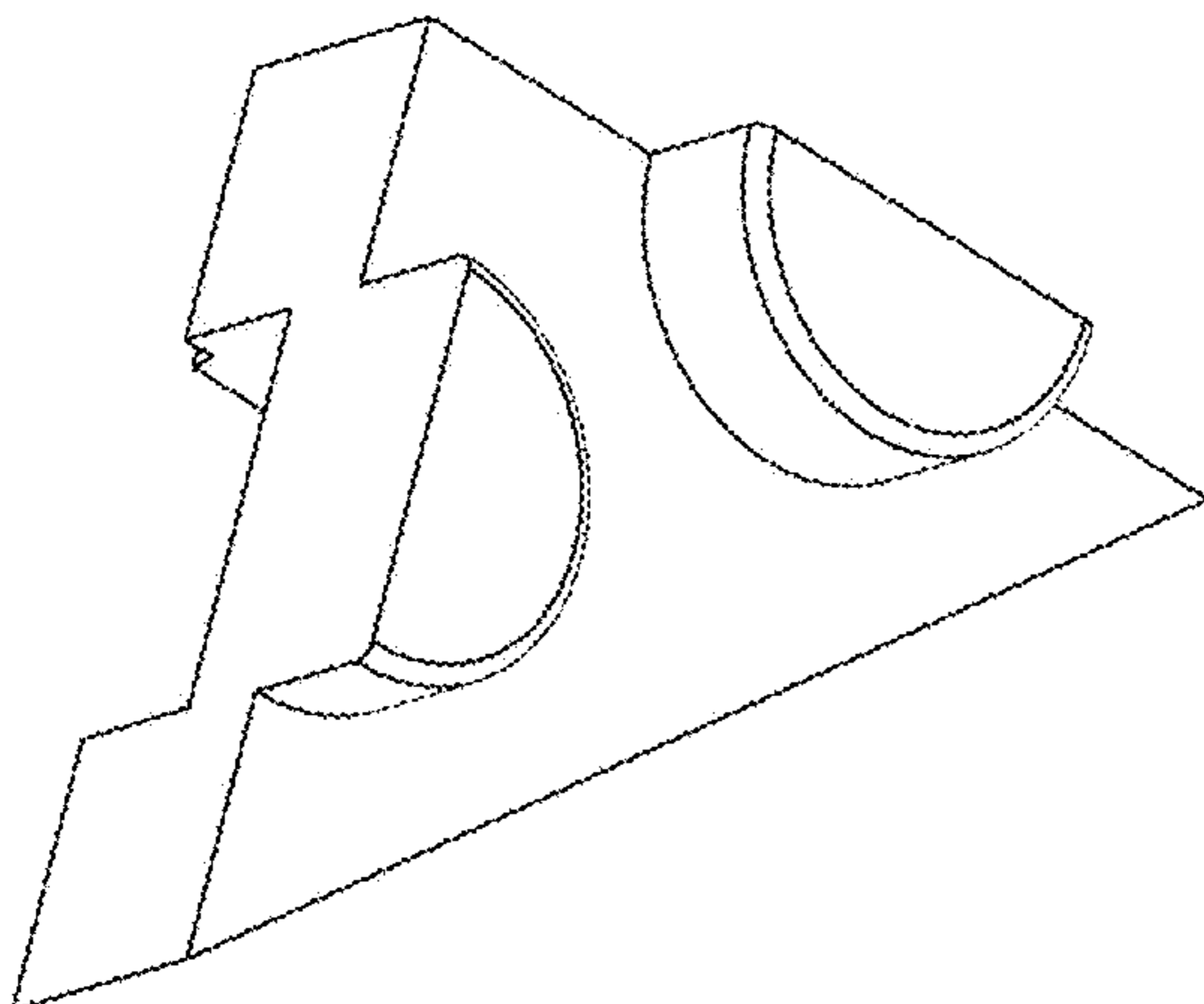


FIG. 1

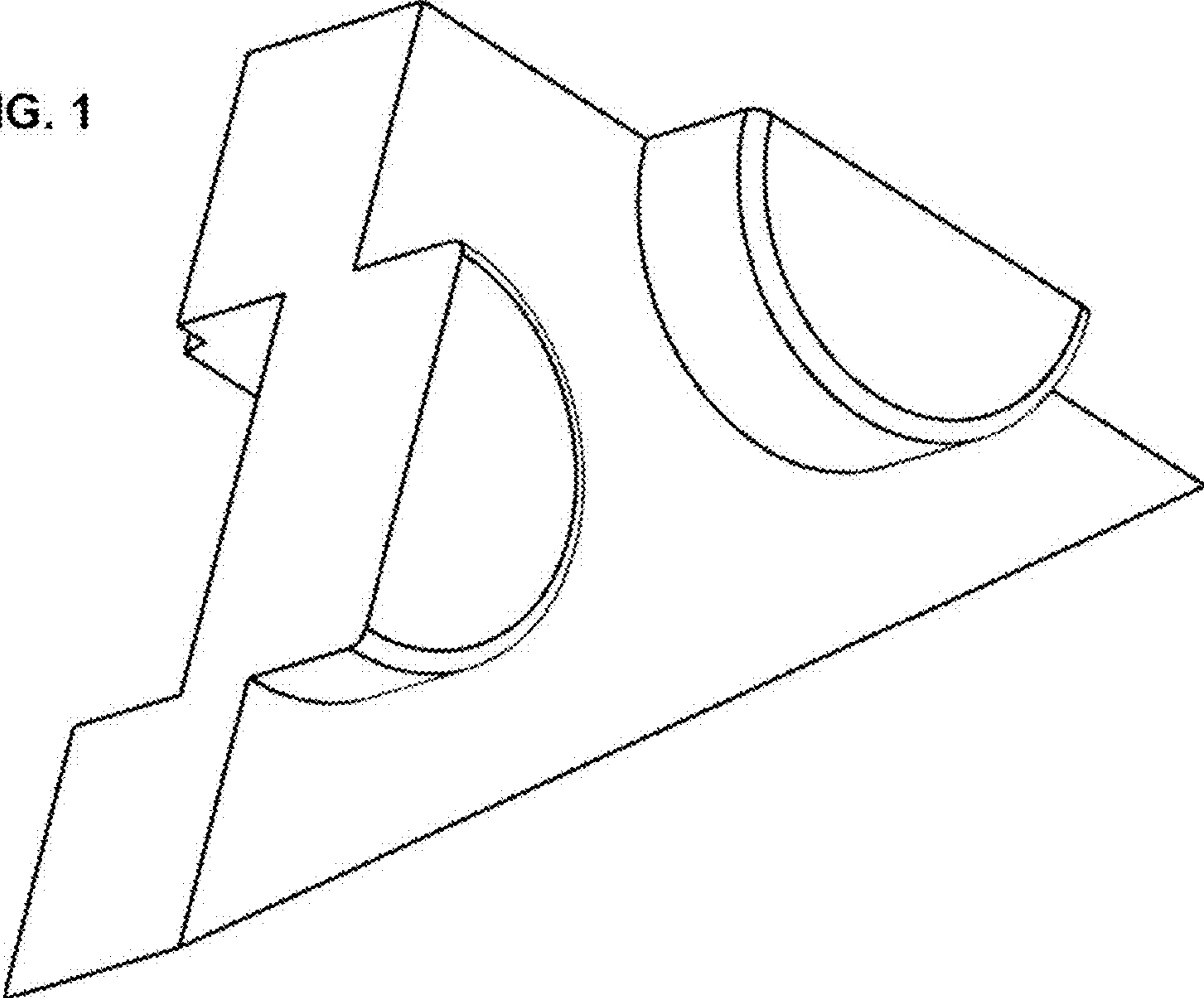


FIG. 2

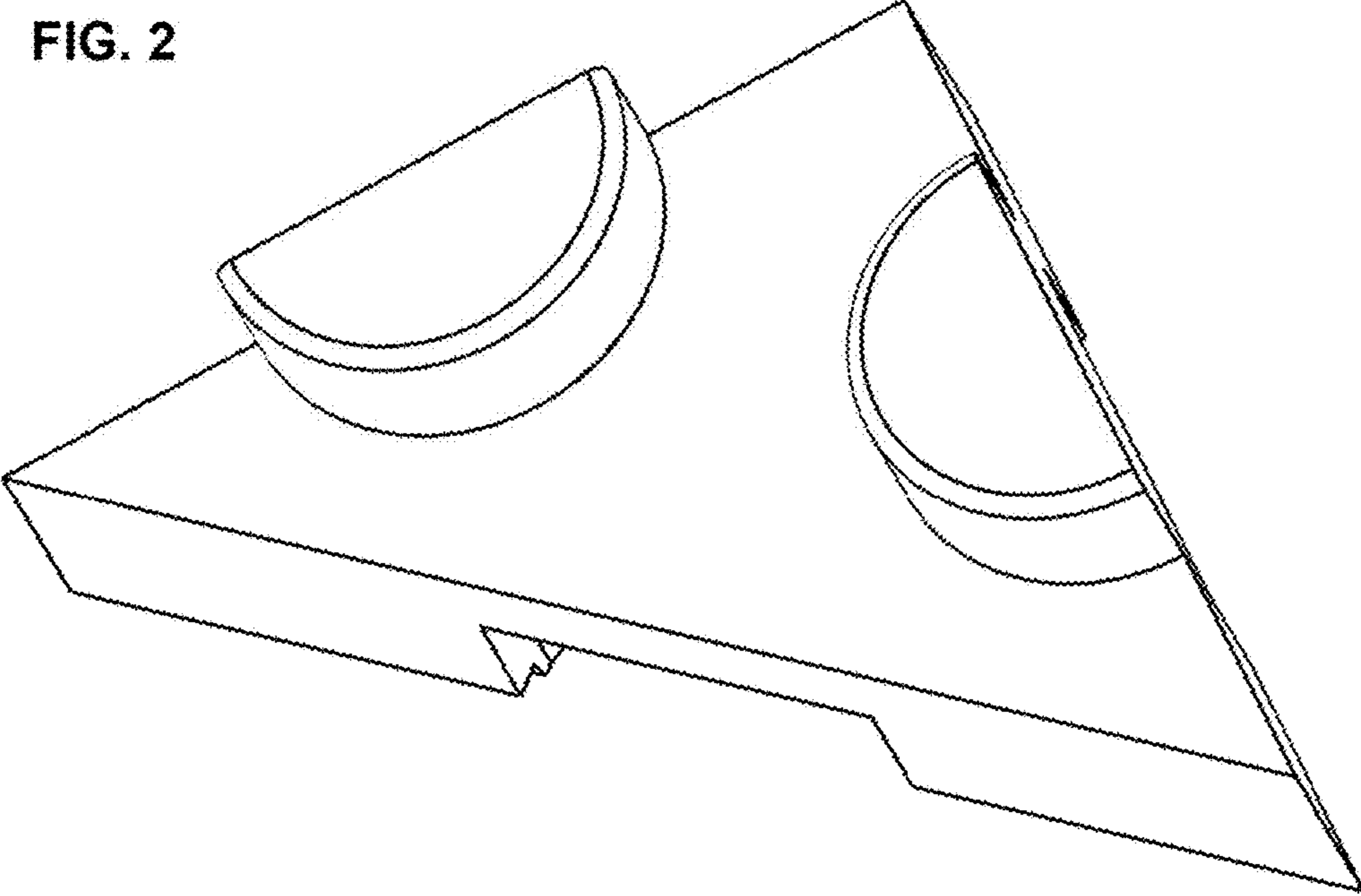


FIG. 3

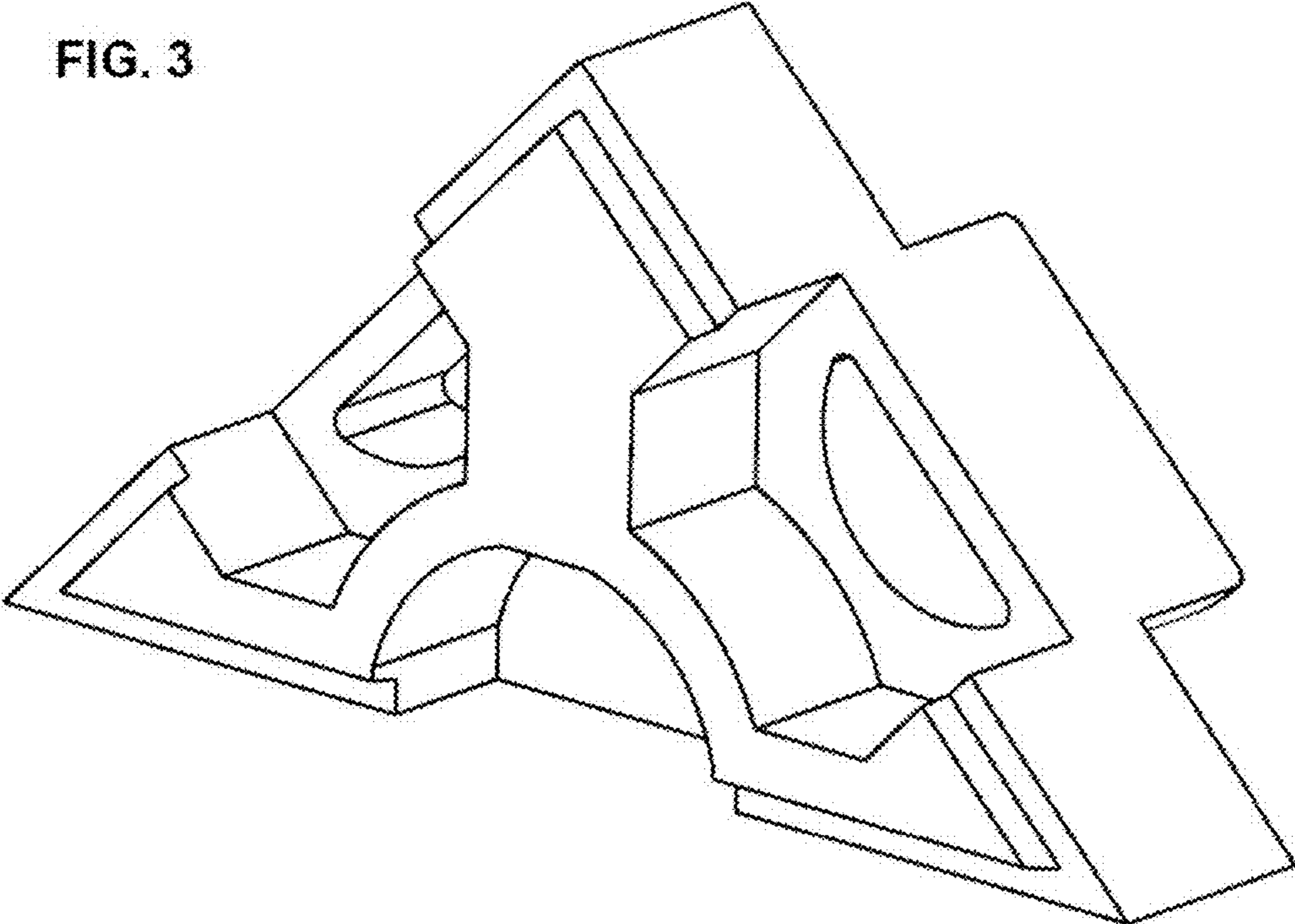


FIG. 4

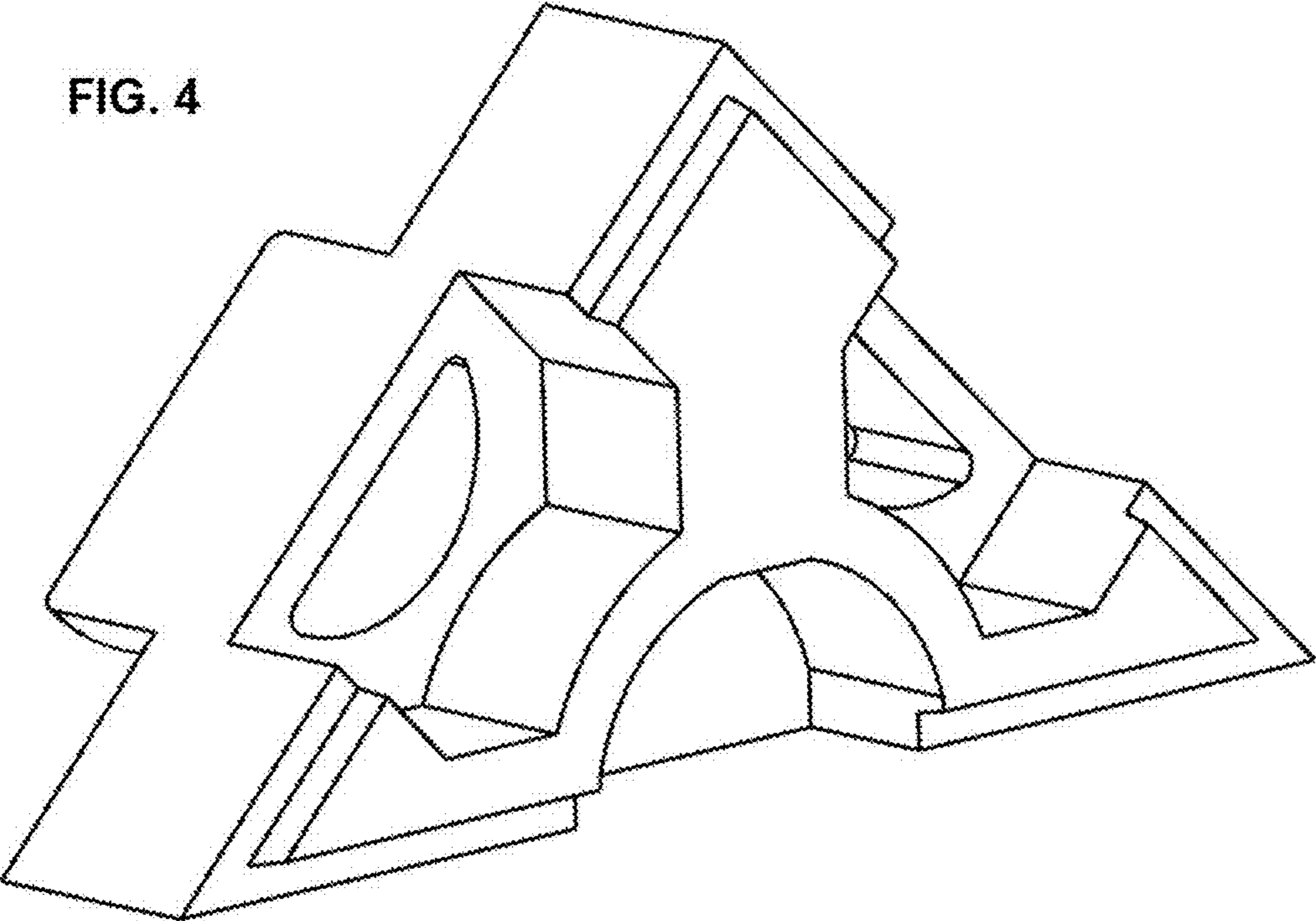


FIG. 5

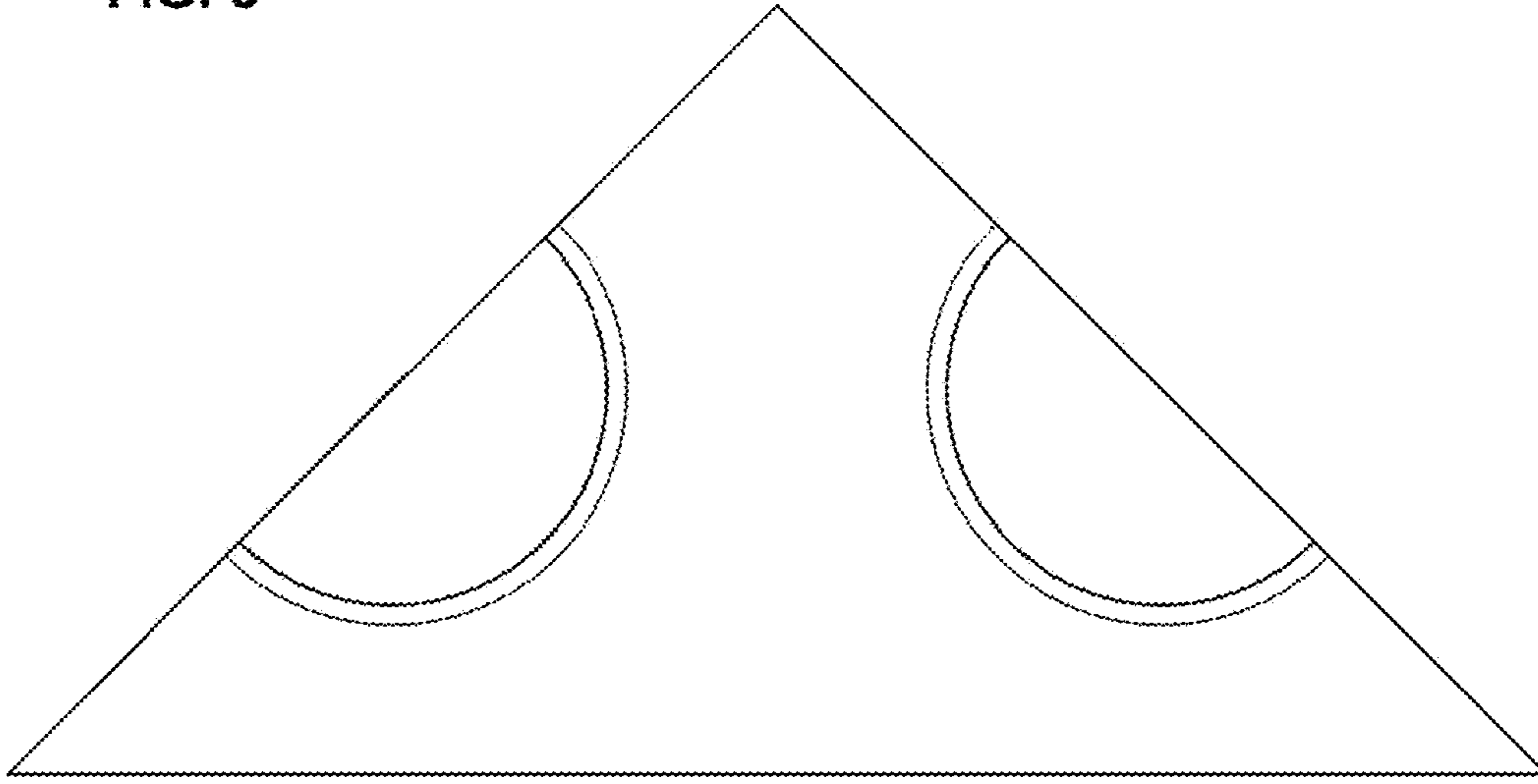


FIG. 6

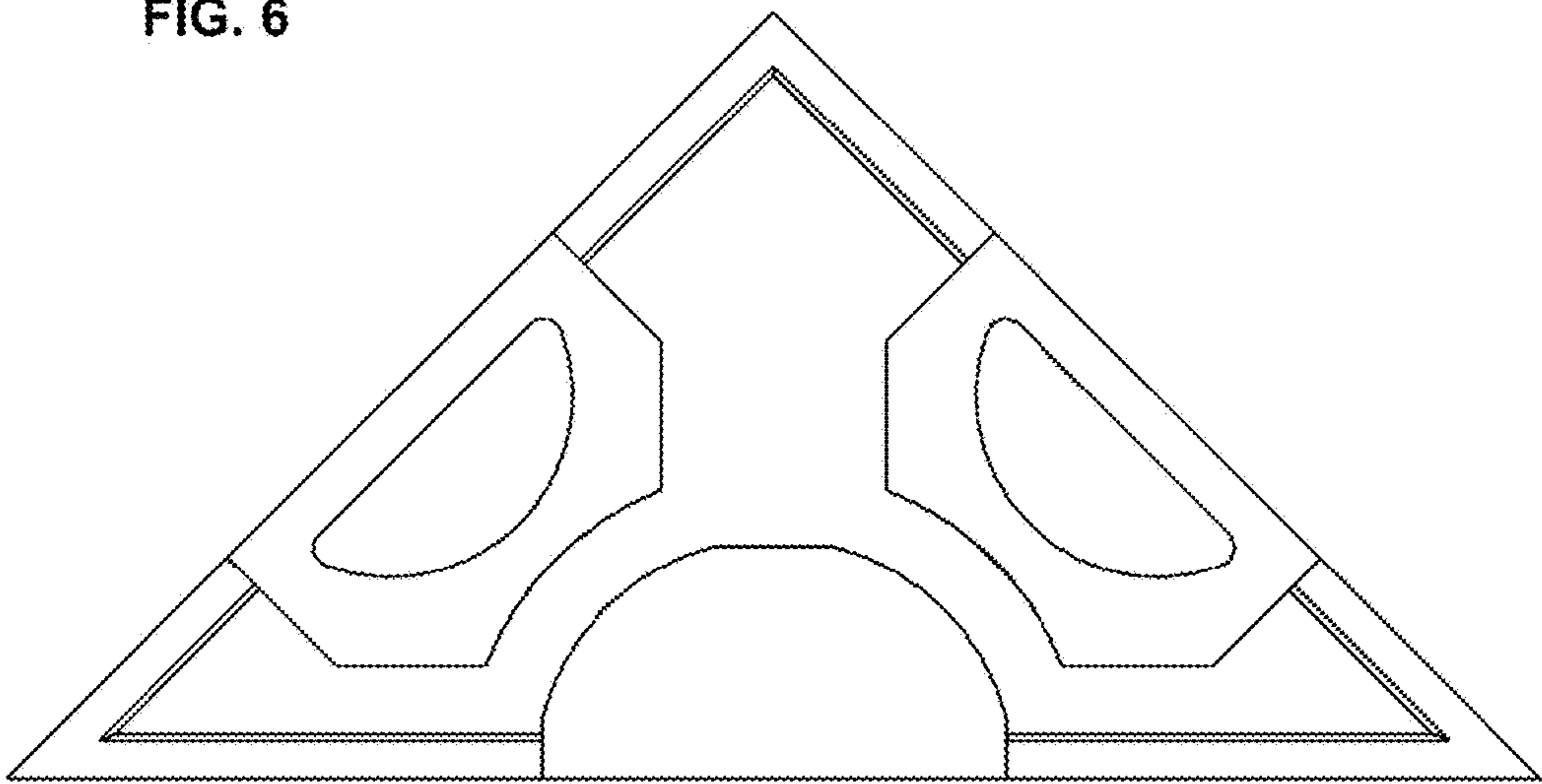


FIG. 7

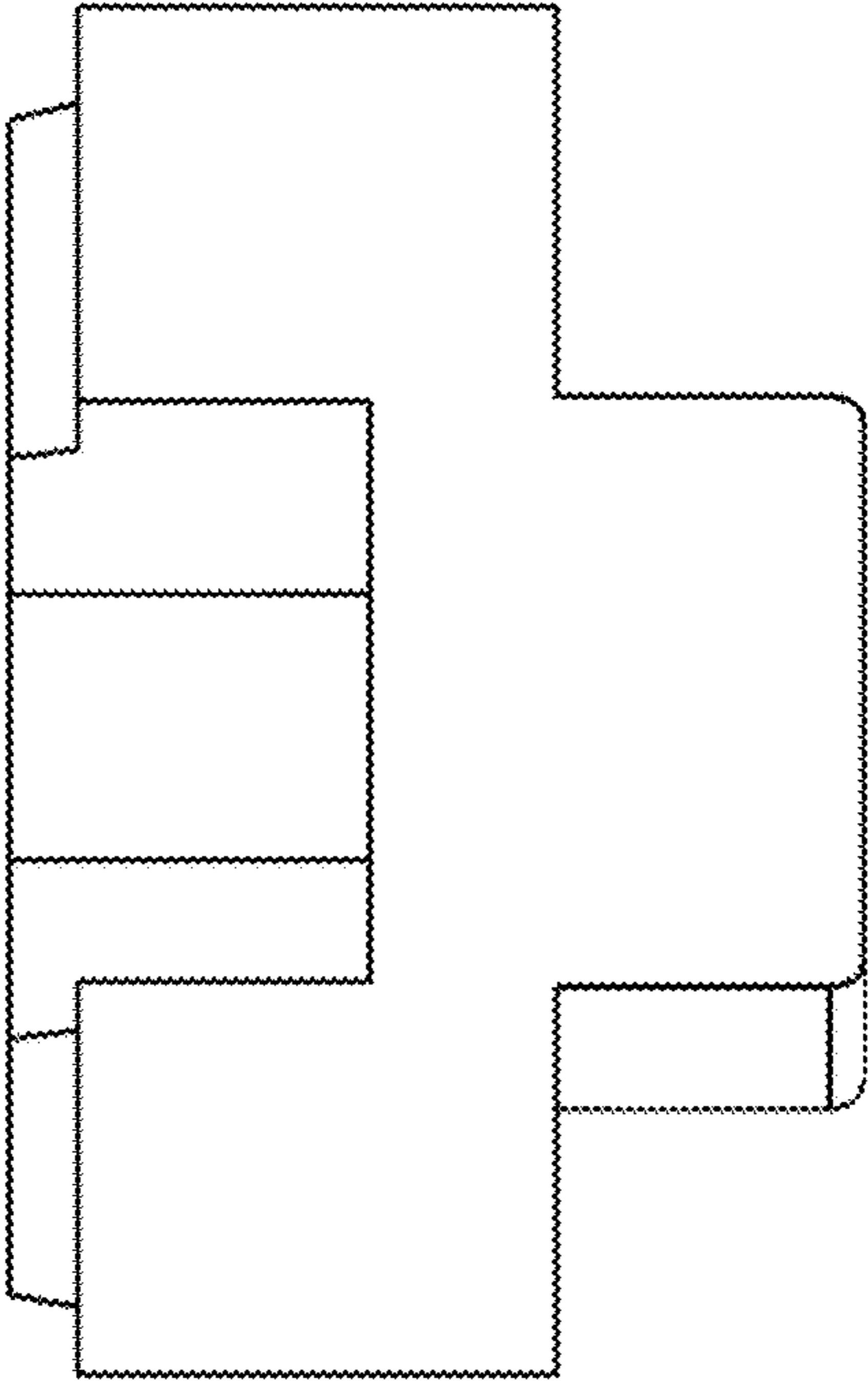


FIG. 8

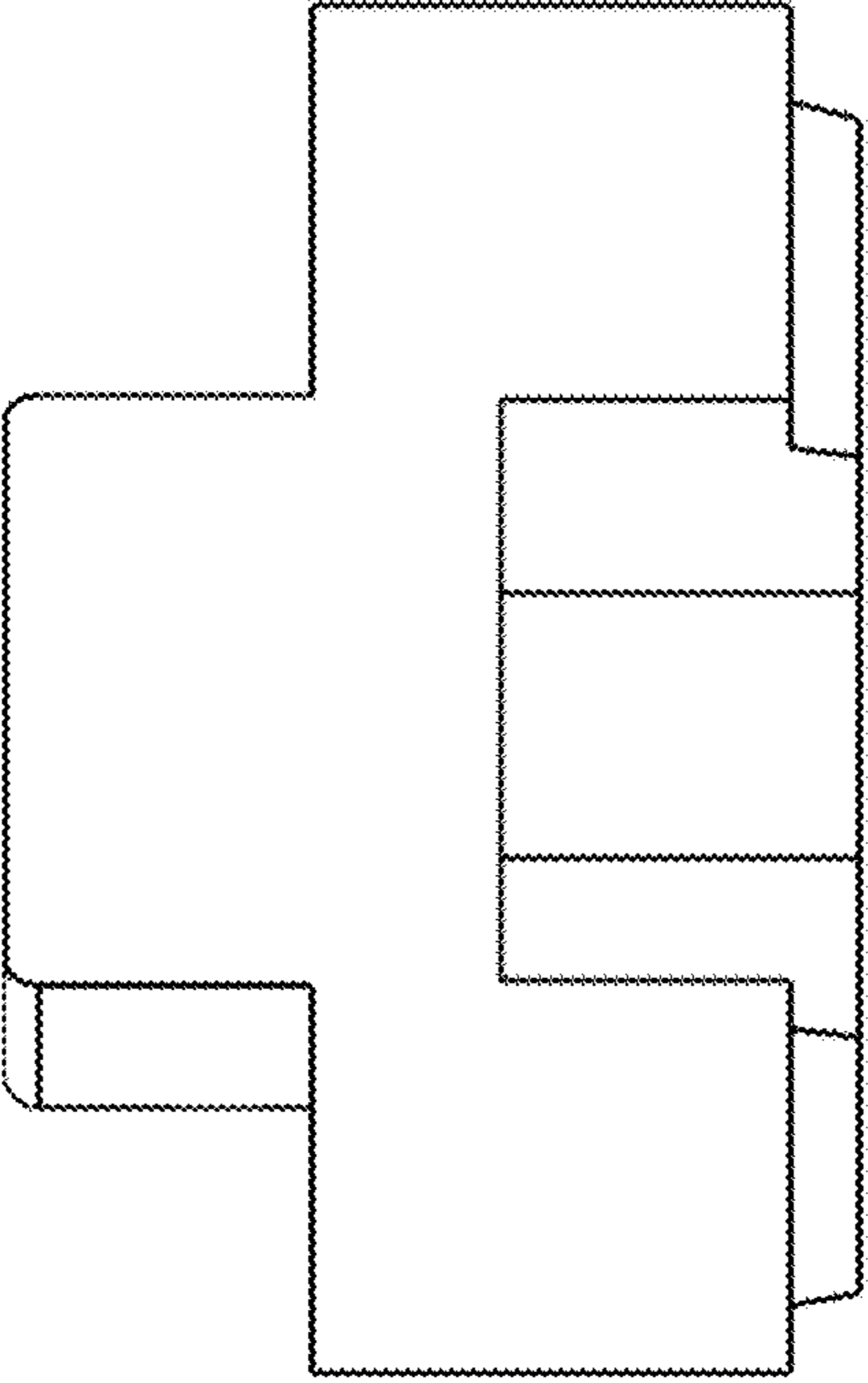


FIG. 9

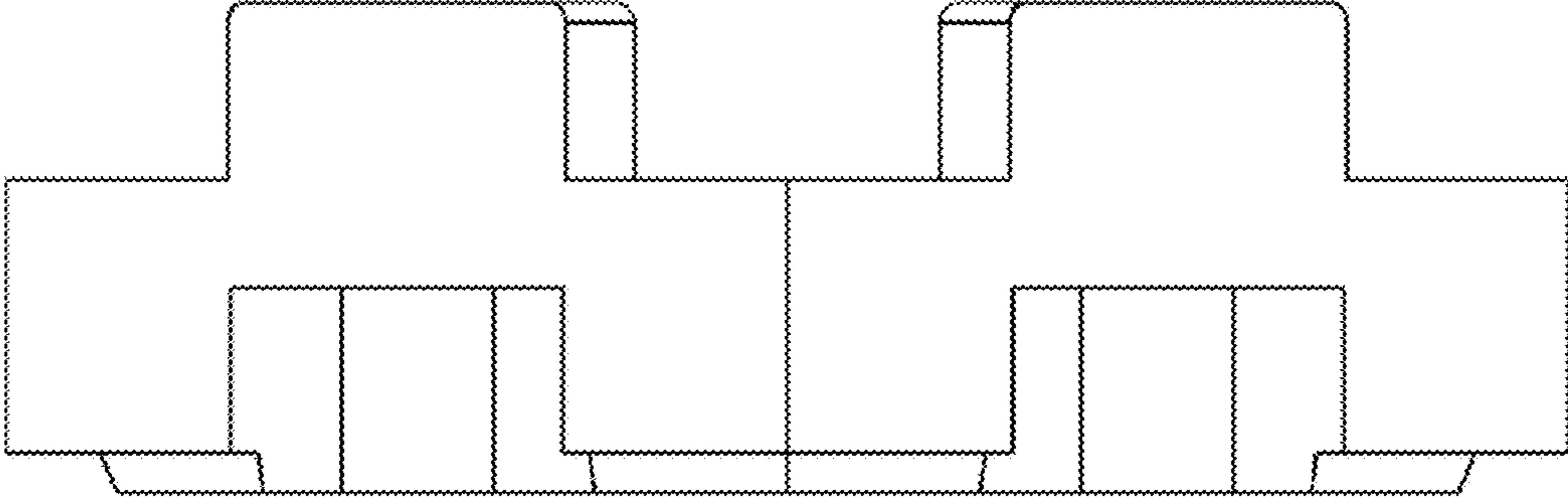


FIG. 10

