

US00D866681S

(12) **United States Design Patent**
Hwang et al.

(10) **Patent No.:** **US D866,681 S**

(45) **Date of Patent:** **** Nov. 12, 2019**

- (54) **TOY BUILDING BLOCK**
- (71) Applicant: **Sohobricks LLC**, Yongin-si, Gyeonggi-do (KR)
- (72) Inventors: **Byeongjun Hwang**, Ansan-si (KR); **Kyoungebae Na**, Seoul (KR)
- (73) Assignee: **Sohobricks LLC**, Yongin-si (KR)
- (**) Term: **15 Years**

- D380,792 S * 7/1997 Gabriel D21/489
- 5,938,497 A * 8/1999 Mott A63H 33/10
446/122
- 6,186,856 B1 * 2/2001 Chen A63H 33/04
446/117
- 7,156,392 B2 * 1/2007 Plein A63F 9/1288
273/156
- D669,759 S * 10/2012 Castilleja D8/354
- D681,421 S * 5/2013 Bucci D8/354
- D689,953 S * 9/2013 Jensen D21/485
- D714,876 S * 10/2014 Jou D21/386

- (21) Appl. No.: **29/659,743**
- (22) Filed: **Aug. 10, 2018**
- (51) **LOC (12) Cl.** **21-01**
- (52) **U.S. Cl.**
USPC **D21/505**
- (58) **Field of Classification Search**
USPC D21/386, 389, 404, 468, 470, 471,
D21/484-505
CPC A63H 33/00; A63H 33/04; A63H 33/044;
A63H 33/06; A63H 33/08; A63H 33/084;
A63H 33/086; A63H 33/088; A63H
33/10; A63H 33/12; A63H 33/105; A63H
33/108; A63H 3/00; A63H 3/16; A63H
3/46; E04C 1/00; E04C 1/40; E04B 2/14;
E04B 2/16; E04B 2/18
See application file for complete search history.

(56) **References Cited**
U.S. PATENT DOCUMENTS

- D234,706 S * 4/1975 Harvey D21/489
- D259,762 S * 7/1981 Sabin D21/505
- 4,385,467 A * 5/1983 Samuels A63F 9/1011
273/157 R
- 4,964,834 A * 10/1990 Myller A63H 33/086
446/118
- D311,939 S * 11/1990 Andersen D21/505
- D327,511 S * 6/1992 Castillo D21/479
- D350,791 S * 9/1994 Refsing D21/504
- D380,787 S * 7/1997 Gabriel D21/489
- D380,790 S * 7/1997 Gabriel D21/489

OTHER PUBLICATIONS

BRICKLINK, "Tile, Modified 2x2 Triangular, Item No: 3578", added to website on Mar. 13, 2018. Accessed online on Sep. 24, 2018, at <<<https://www.bricklink.com/v2/catalog/catalogitem.page?P=35787&name=Tile,%20Modified%20x%20x%20Triangular&category=%5BTile,%20Modified%5D#T=C>>>.

* cited by examiner

Primary Examiner — Cynthia M. Chin
(74) *Attorney, Agent, or Firm* — Novick, Kim & Lee, PLLC; Sang Ho Lee; Hyun Woo Shin

(57) **CLAIM**

We claim the ornamental design for a toy building block, as shown and described.

DESCRIPTION

FIG. 1 is a front perspective view of a toy building block, showing our new design;
FIG. 2 is a rear, left side perspective view thereof;
FIG. 3 is a rear, right side perspective view thereof;
FIG. 4 is a front elevational view thereof;
FIG. 5 is a rear elevational view thereof;
FIG. 6 is a left side elevational view thereof;
FIG. 7 is a right side elevational view thereof;
FIG. 8 is a top plan view thereof; and,
FIG. 9 is a bottom plan view thereof.

1 Claim, 5 Drawing Sheets

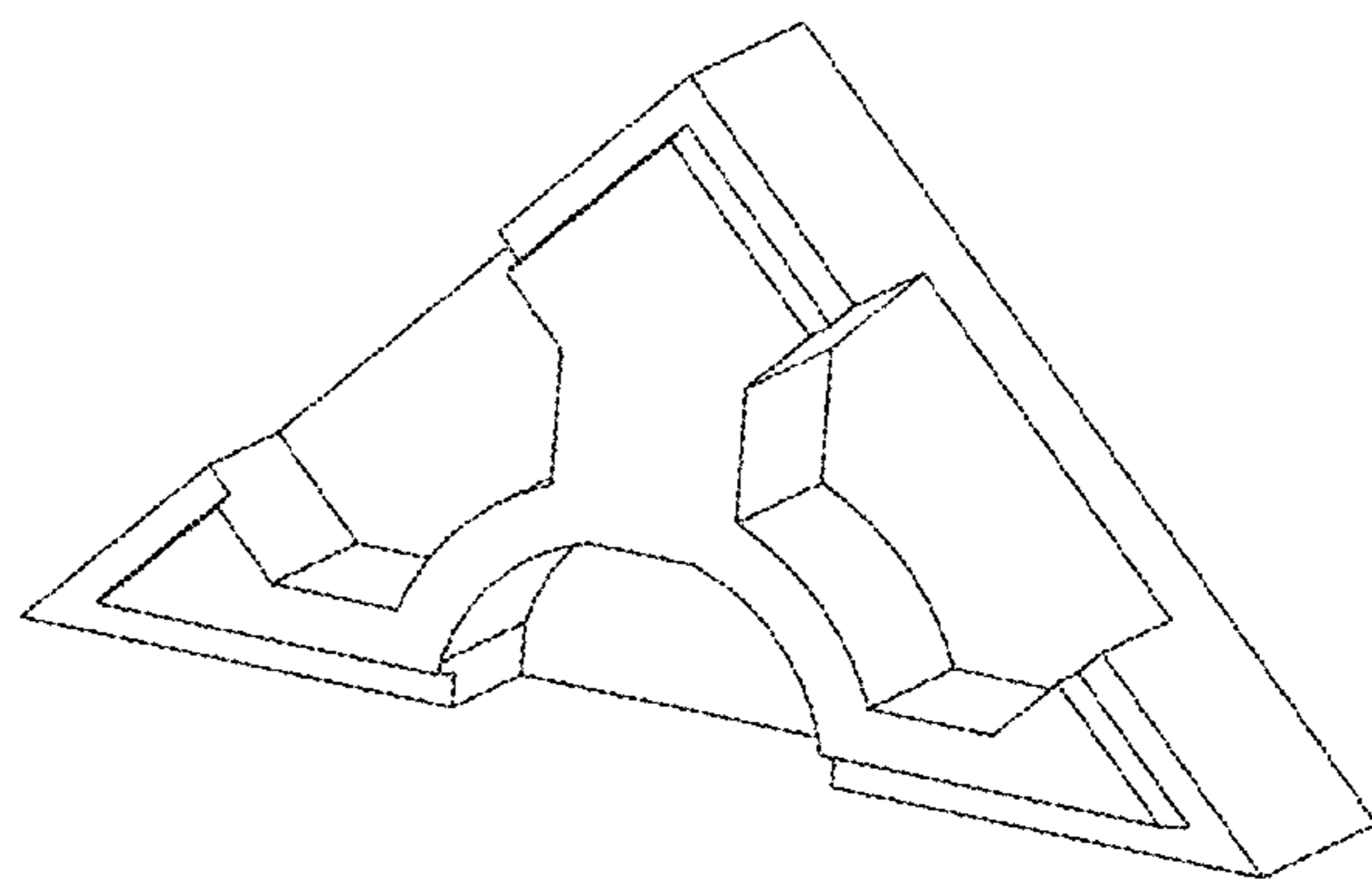
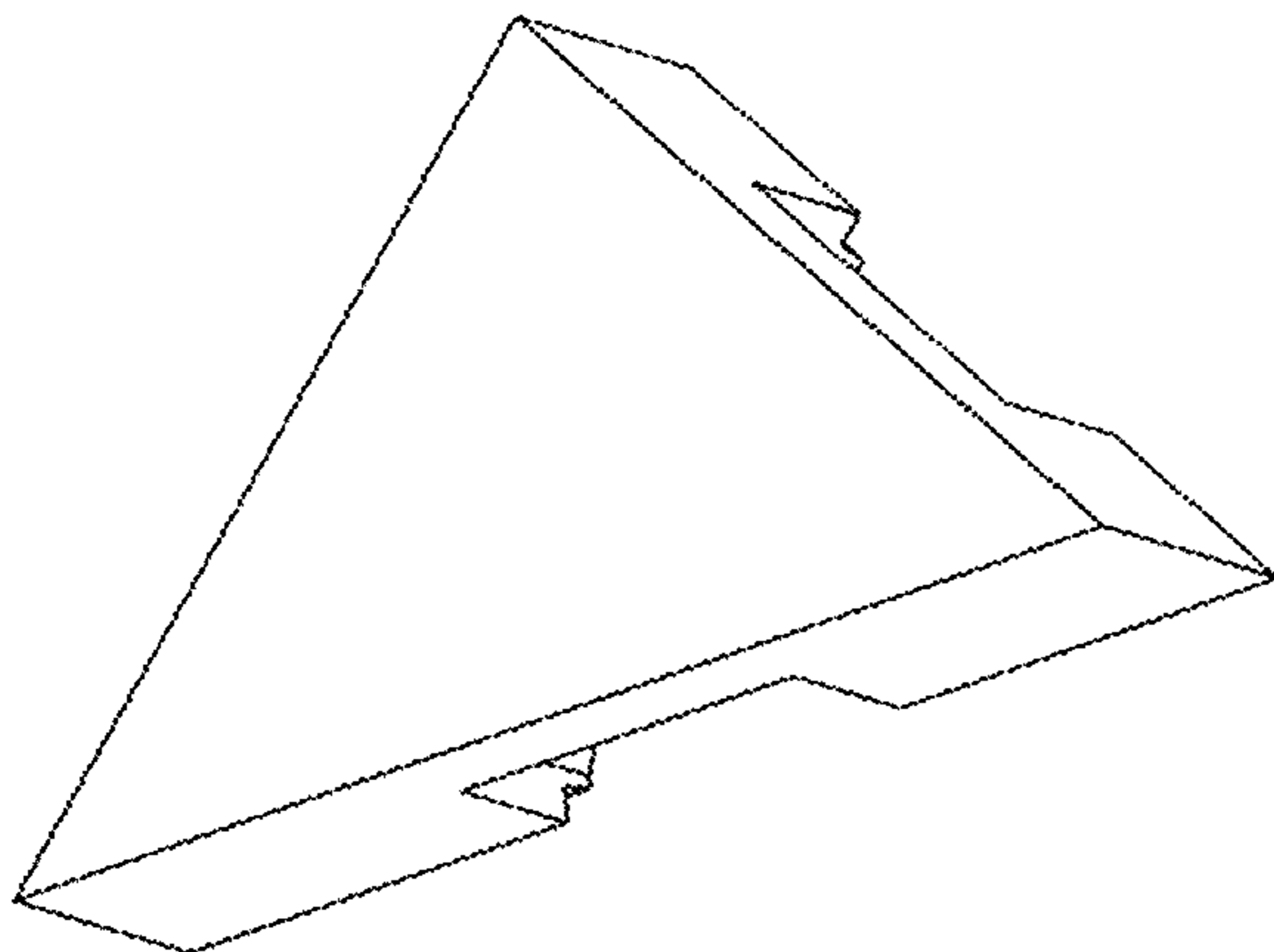


FIG. 1

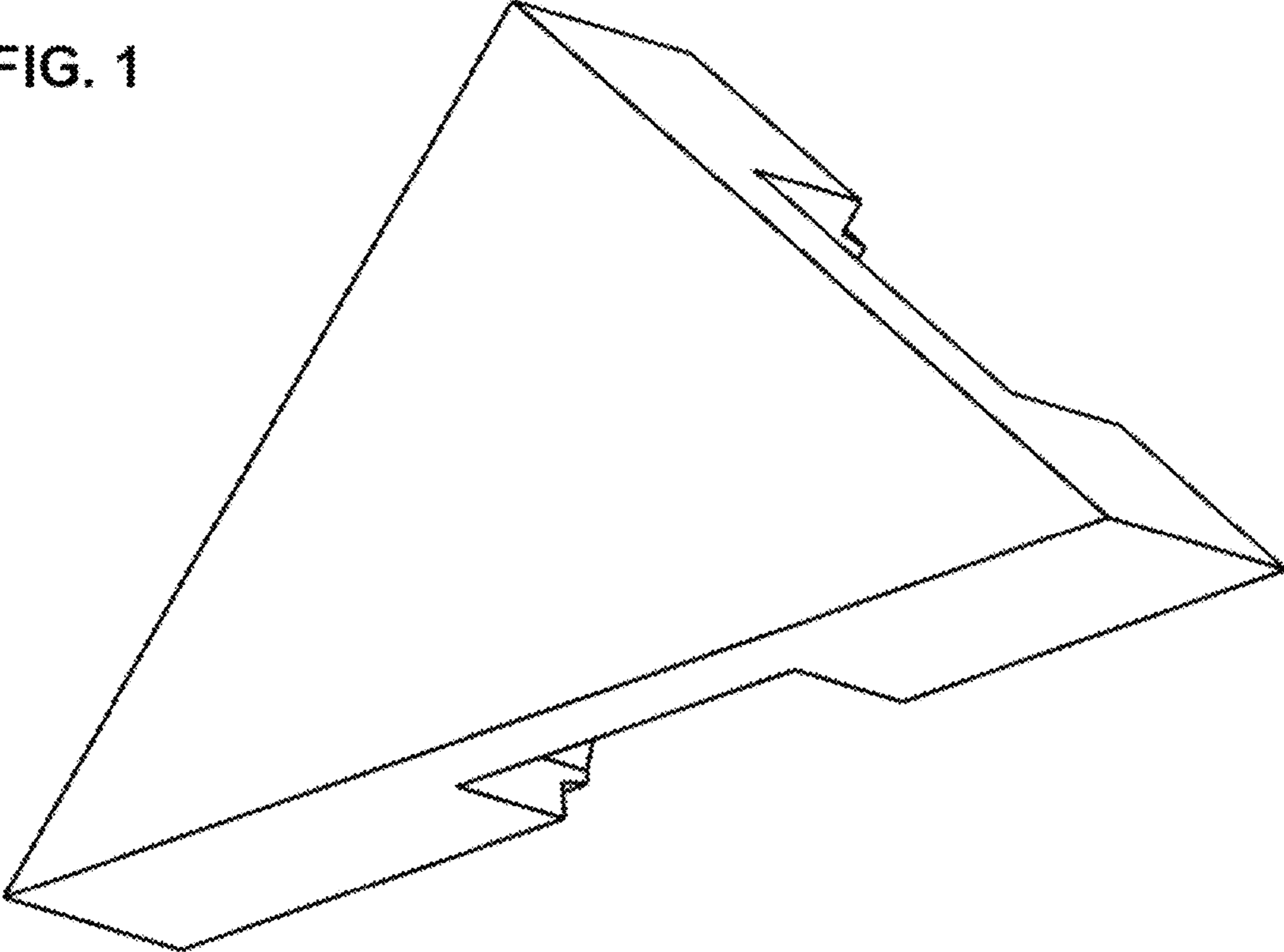


FIG. 2

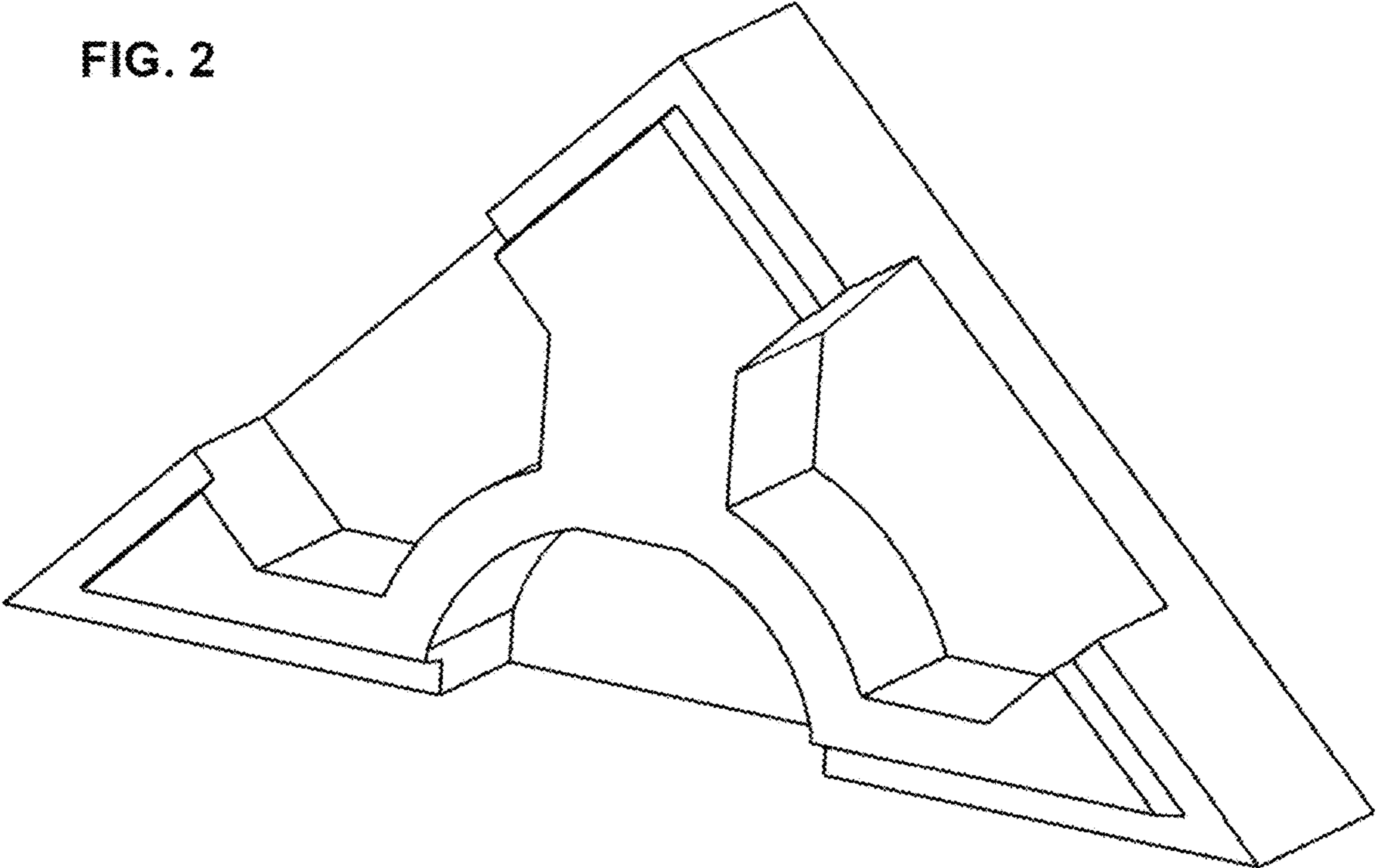


FIG. 3

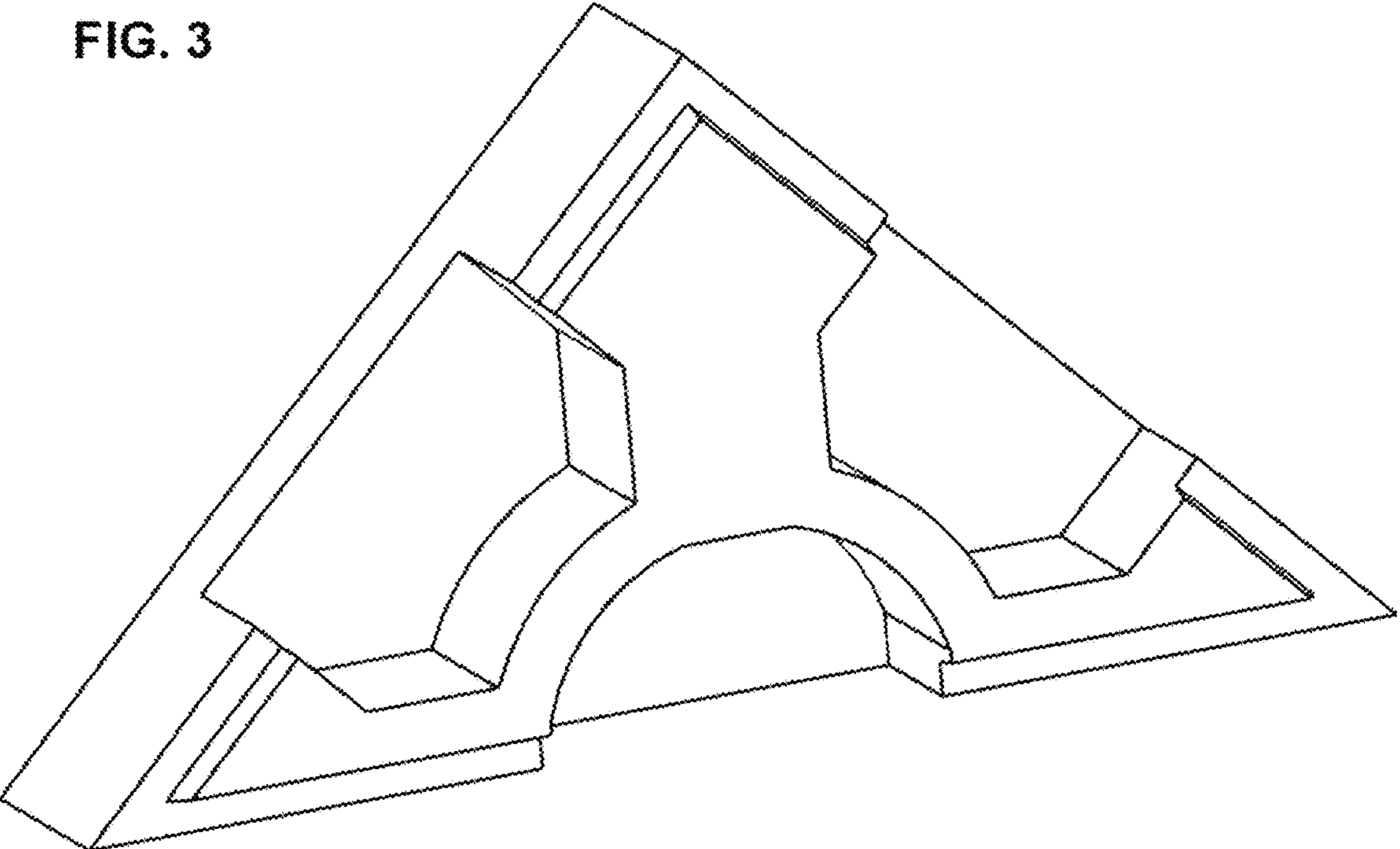


FIG. 4

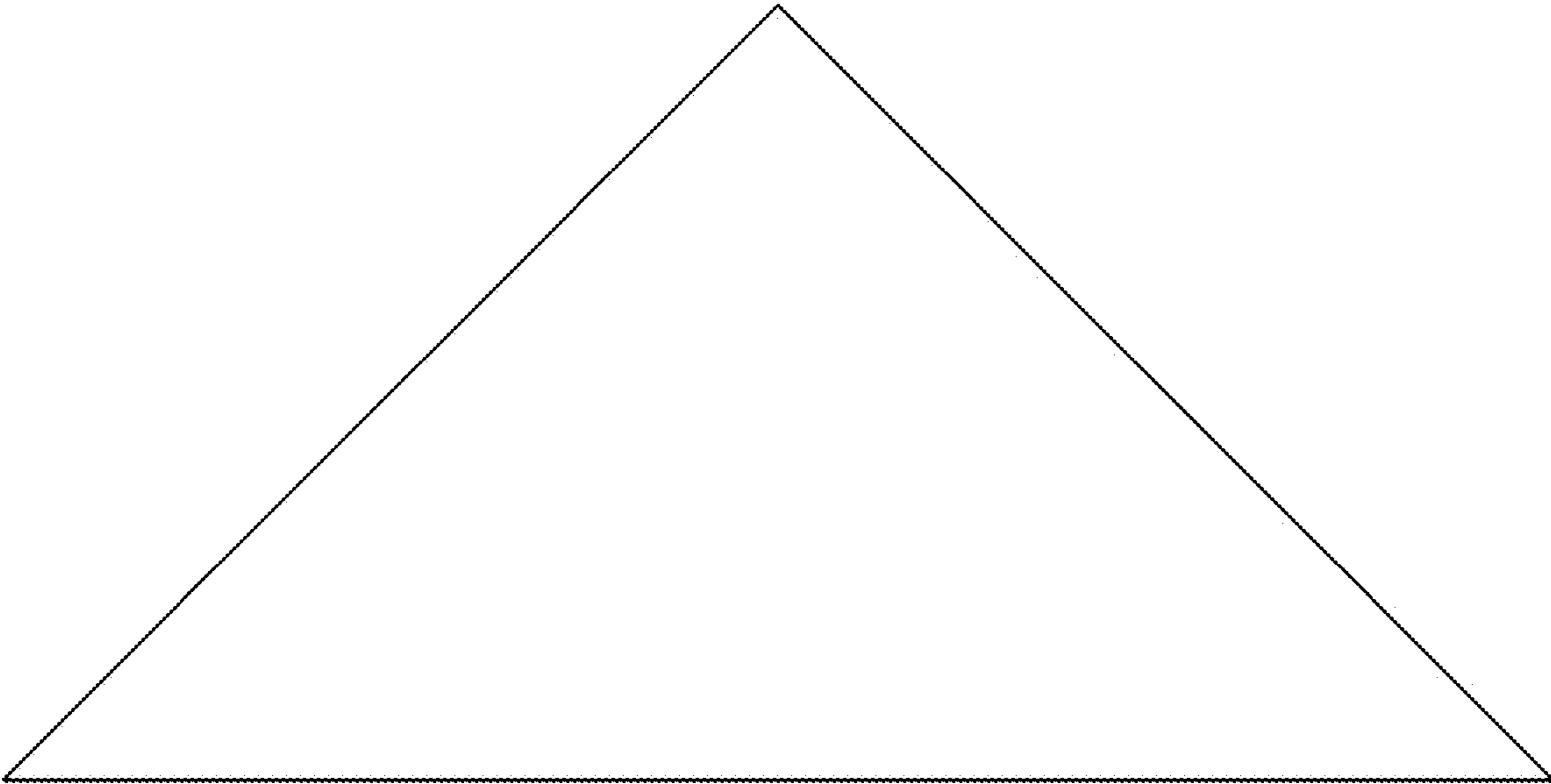


FIG. 5

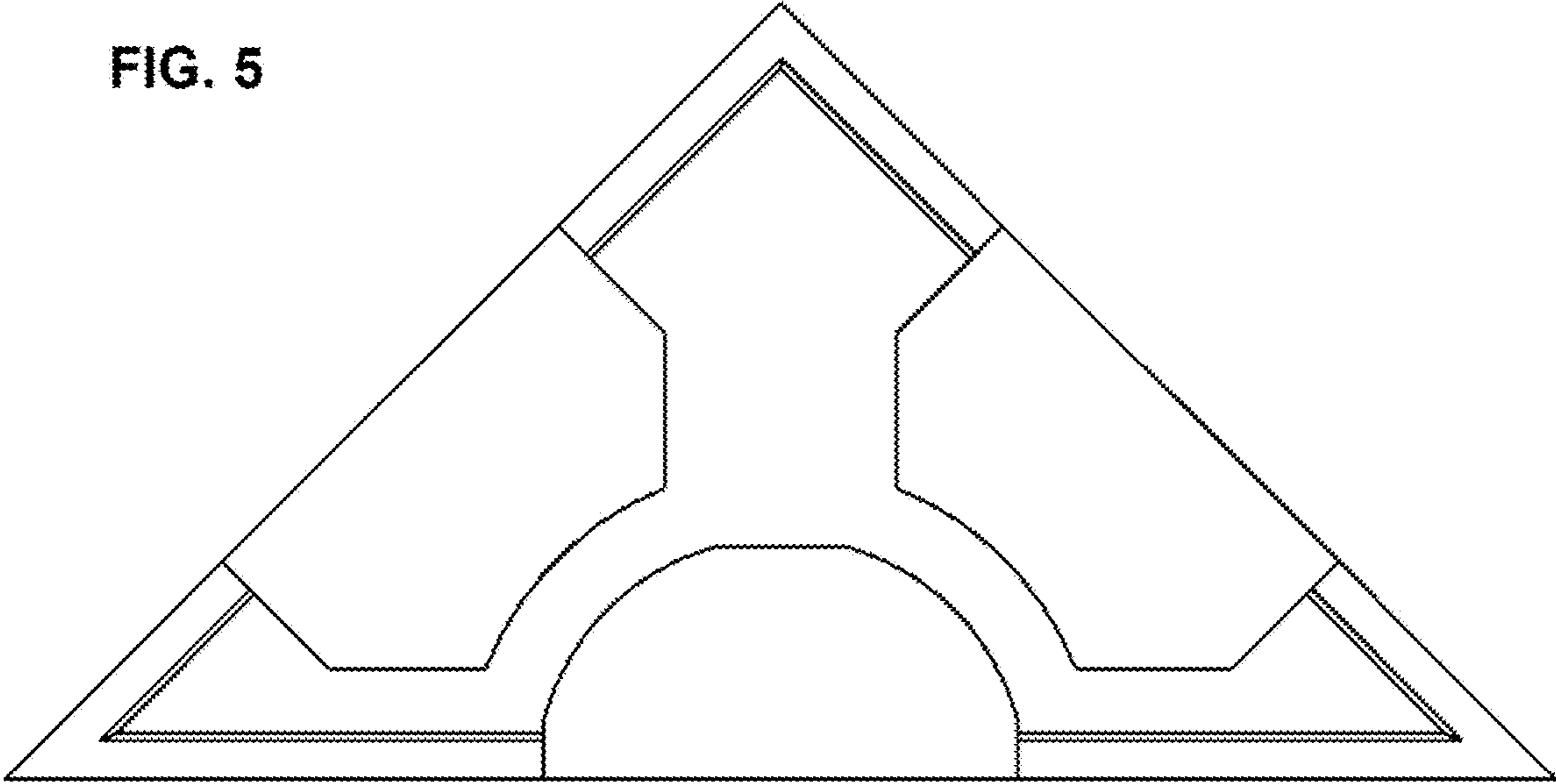


FIG. 6

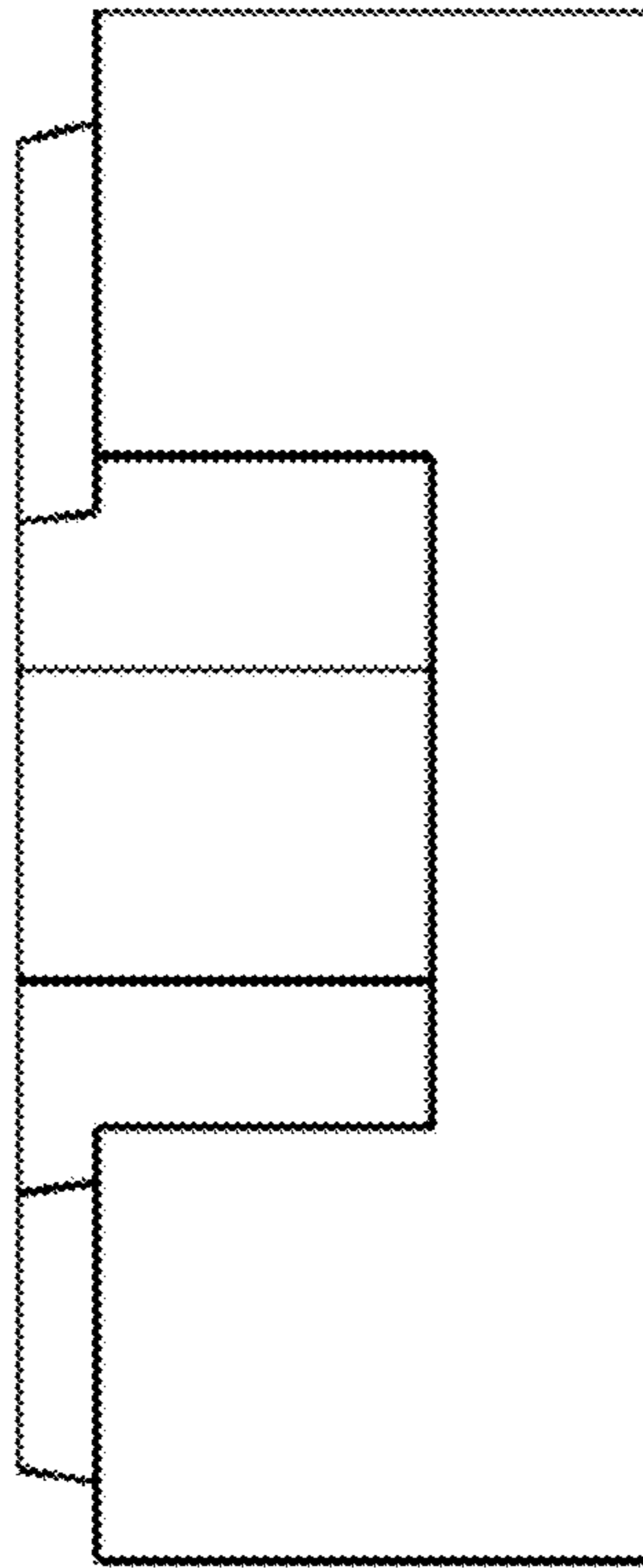


FIG. 7

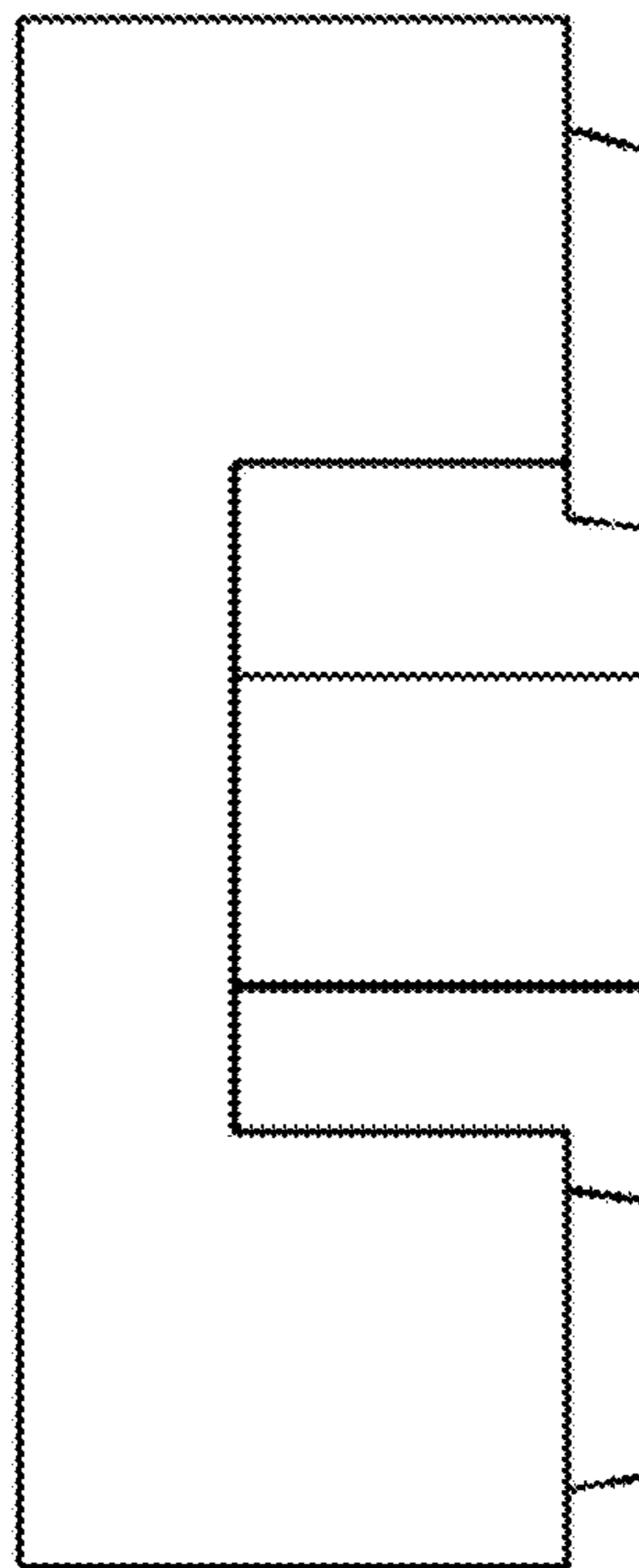


FIG. 8

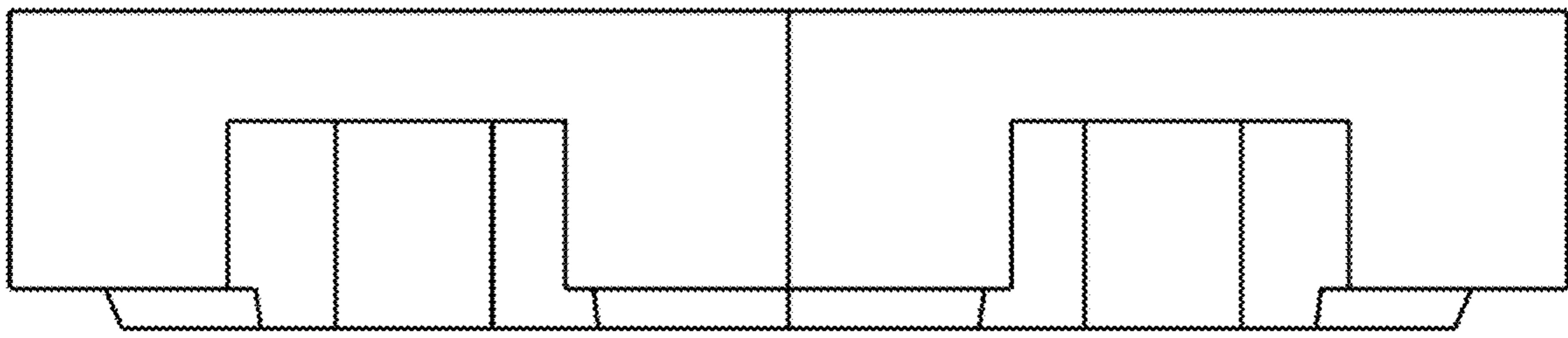


FIG. 9

