

US00D866678S

(12) **United States Design Patent**  
**Karp et al.**

(10) **Patent No.:** **US D866,678 S**

(45) **Date of Patent:** **\*\* Nov. 12, 2019**

(54) **BASSINET ATTACHMENT**

(71) Applicant: **HAPPIEST BABY, INC.**, Santa Monica, CA (US)

(72) Inventors: **Harvey Karp**, Santa Monica, CA (US); **Nina Montee Karp**, Santa Monica, CA (US); **Aric Jennings**, Santa Monica, CA (US); **Peter Fornell**, Santa Monica, CA (US); **Adi Orucevic**, Santa Monica, CA (US)

(73) Assignee: **HB Innovations Inc.**, Los Angeles, CA (US)

(\*\*) Term: **15 Years**

(21) Appl. No.: **29/598,761**

(22) Filed: **Mar. 28, 2017**

(51) **LOC (12) Cl.** ..... **21-01**

(52) **U.S. Cl.**  
USPC ..... **D21/467**

(58) **Field of Classification Search**  
USPC ..... D21/398, 405, 411, 455, 458, 465, 467, D21/476; D11/141; D23/377, 380, 385, D23/411, 413; D6/715, 718.26, 718.27; 446/175, 176, 178, 201, 217, 218, 446/227-229, 236-266, 464, 485, 487  
CPC ..... A63H 13/20; A63H 33/00; A63H 33/002; A63H 33/006; A63H 33/008; A63H 33/22; A63H 33/26; A63H 33/40; A63H 1/00-32  
See application file for complete search history.

(56) **References Cited**

**U.S. PATENT DOCUMENTS**

3,919,795 A \* 11/1975 Van Horne Jinivisian ..... A63H 13/20  
40/411  
4,640,034 A \* 2/1987 Zisholtz ..... A63H 33/006  
369/30.02

4,880,197 A \* 11/1989 Wszyznski ..... A63H 33/006  
248/324  
4,904,220 A \* 2/1990 Williams ..... A63H 33/006  
446/227  
5,029,047 A \* 7/1991 Kachel ..... A63H 33/006  
362/253  
D371,170 S \* 6/1996 Melandow ..... D21/467  
5,672,088 A \* 9/1997 Chininis ..... A63H 33/006  
248/229.15  
D392,695 S \* 3/1998 Haupt ..... D21/476  
5,951,360 A \* 9/1999 Fearon ..... A63H 33/006  
446/227  
D414,856 S \* 10/1999 Zuege ..... D23/377  
D468,544 S \* 1/2003 Myers ..... D21/412  
(Continued)

**FOREIGN PATENT DOCUMENTS**

CN 3439671 \* 4/2005

*Primary Examiner* — Catherine A Tuttle

(74) *Attorney, Agent, or Firm* — Akerman LLP

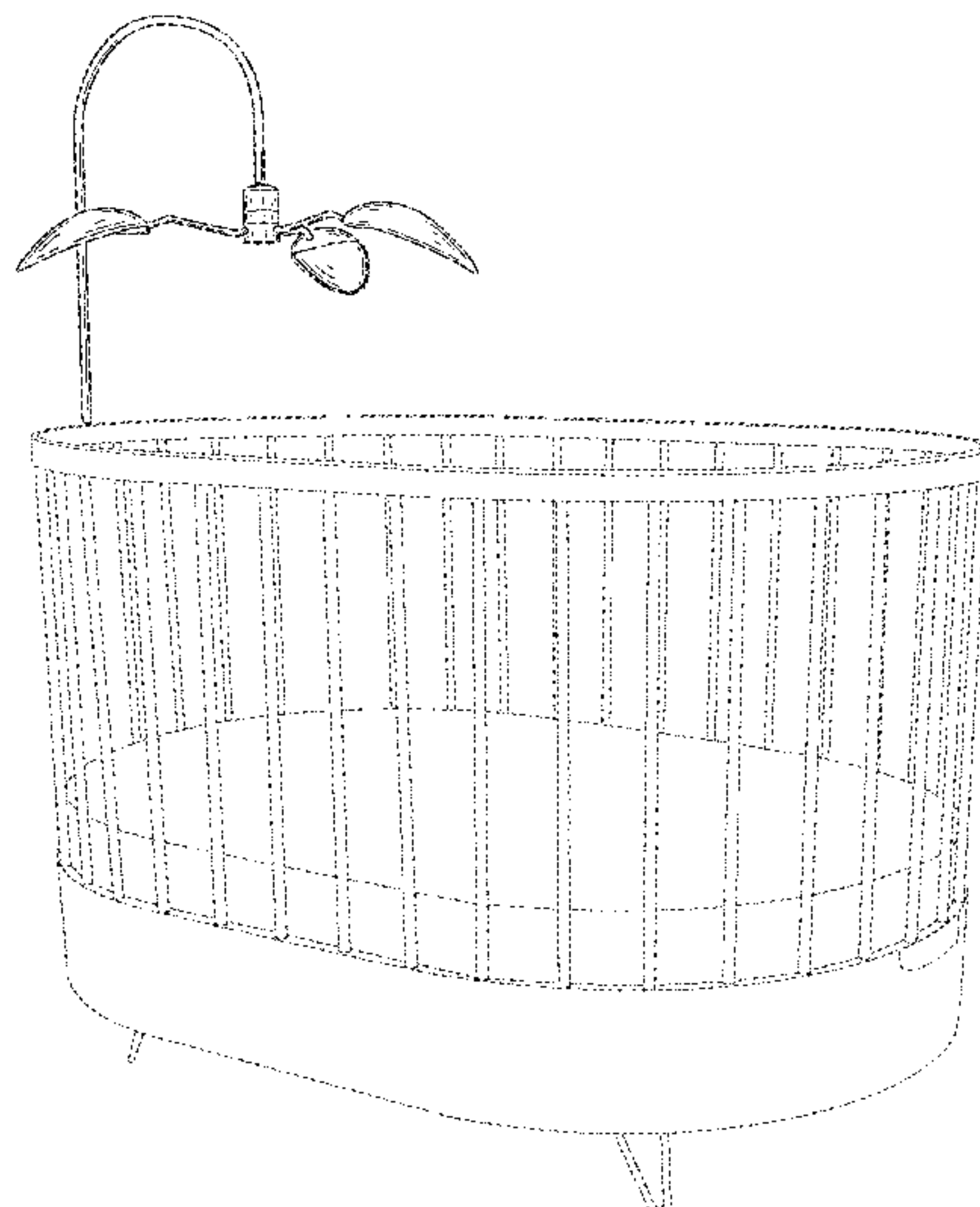
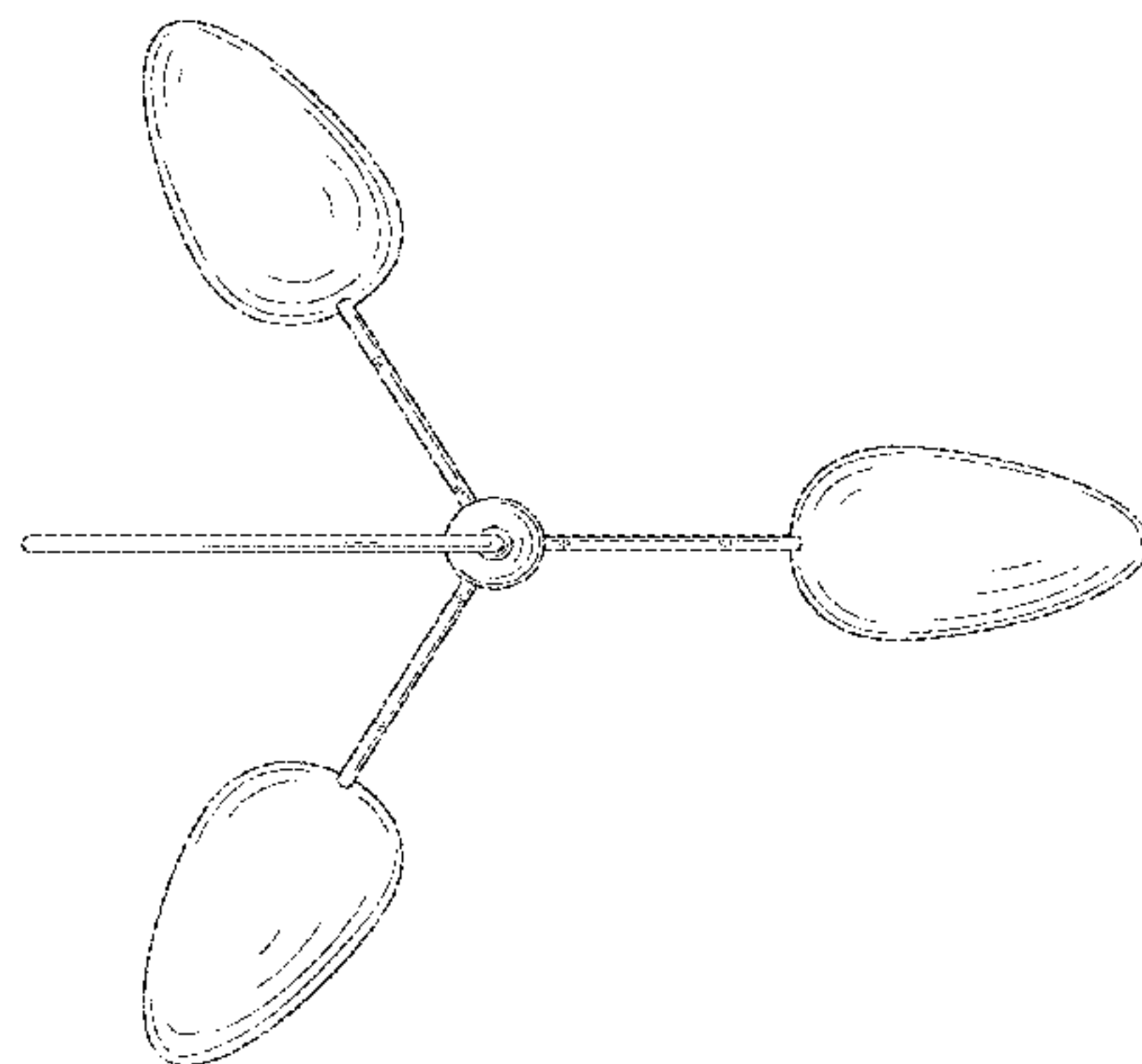
(57) **CLAIM**

The ornamental design for a bassinet attachment, as shown and described.

**DESCRIPTION**

FIG. 1 is a perspective view of the bassinet attachment embodying our design;  
FIG. 2 is a first side view thereof;  
FIG. 3 is a second side view thereof;  
FIG. 4 is a front view thereof;  
FIG. 5 is a back view thereof;  
FIG. 6 is a top view thereof;  
FIG. 7 is a bottom view thereof;  
FIG. 8 is a perspective view showing the design in association with a bassinet in broken lines; and,  
FIG. 9 is a perspective view showing the design in association with an alternate bassinet in broken lines.  
The bassinets shown in broken lines are for illustrative purposes only; and form no part of the claimed design.

**1 Claim, 9 Drawing Sheets**



(56)

**References Cited**

U.S. PATENT DOCUMENTS

6,733,357 B1 \* 5/2004 Weiser ..... A63H 33/40  
446/217  
D528,169 S \* 9/2006 Hayes ..... D21/467  
D730,994 S \* 6/2015 Lane ..... D21/467  
D730,995 S \* 6/2015 Hayes ..... D21/467  
D818,105 S \* 5/2018 Lo ..... D23/377  
2003/0153240 A1 \* 8/2003 DeJule ..... A63H 33/006  
446/227  
2003/0199328 A1 \* 10/2003 Wood ..... A63H 33/006  
472/1  
2005/0148278 A1 \* 7/2005 Drobinski ..... A63H 33/006  
446/227  
2015/0321112 A1 \* 11/2015 Aboukrat ..... A63H 33/006  
446/227  
2017/0252663 A1 \* 9/2017 Peterson ..... A63H 33/006

\* cited by examiner

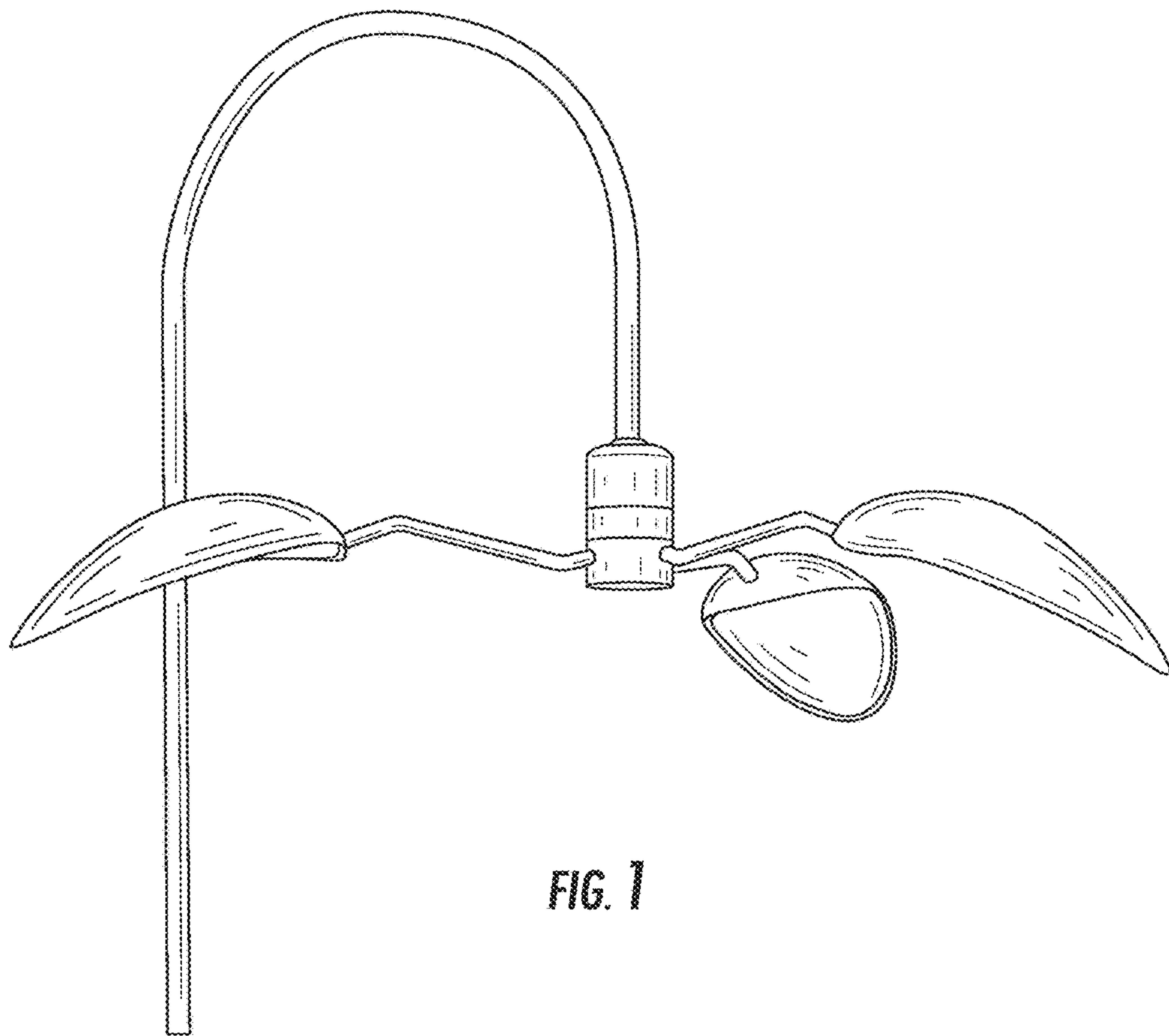


FIG. 1

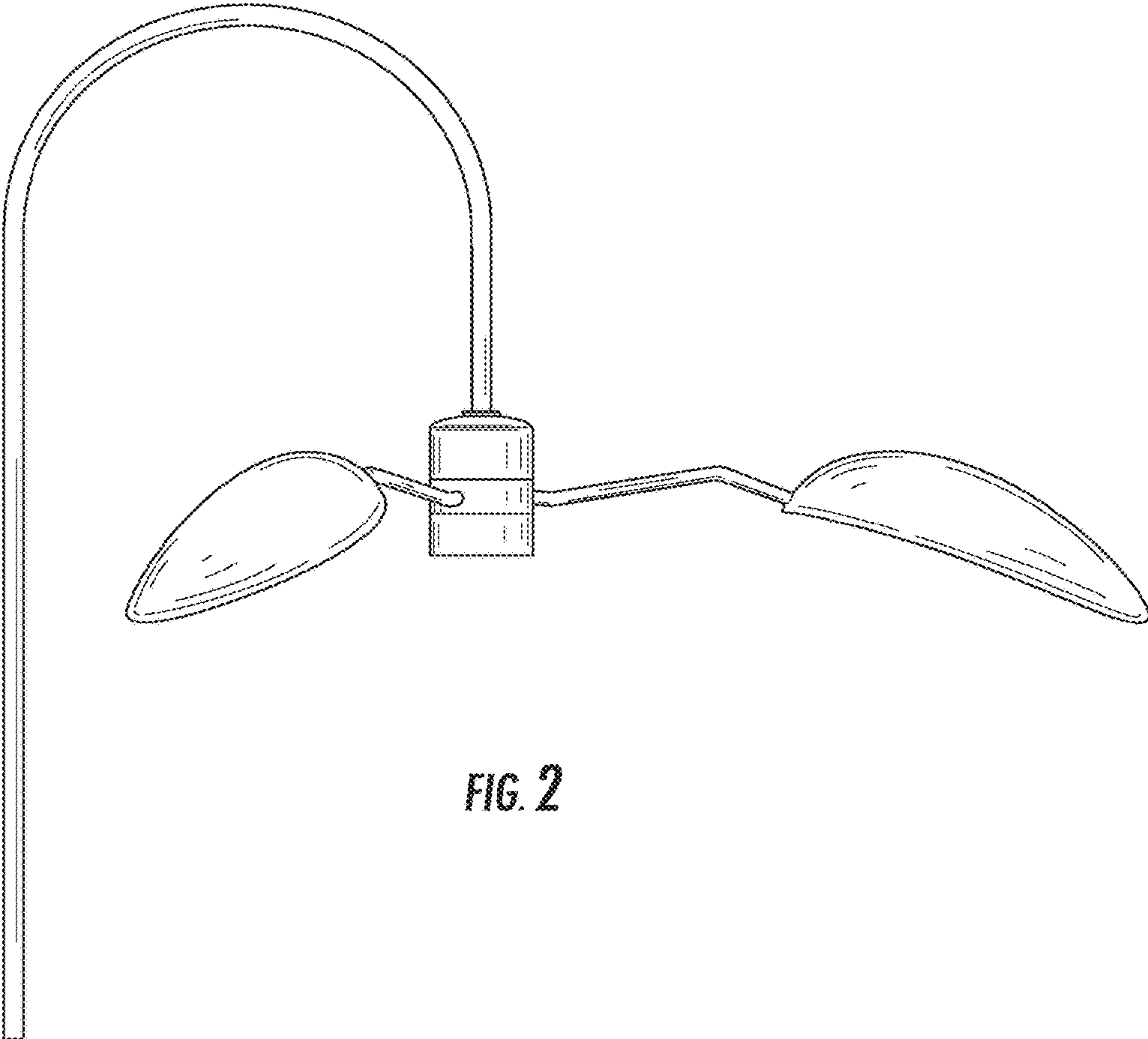


FIG. 2

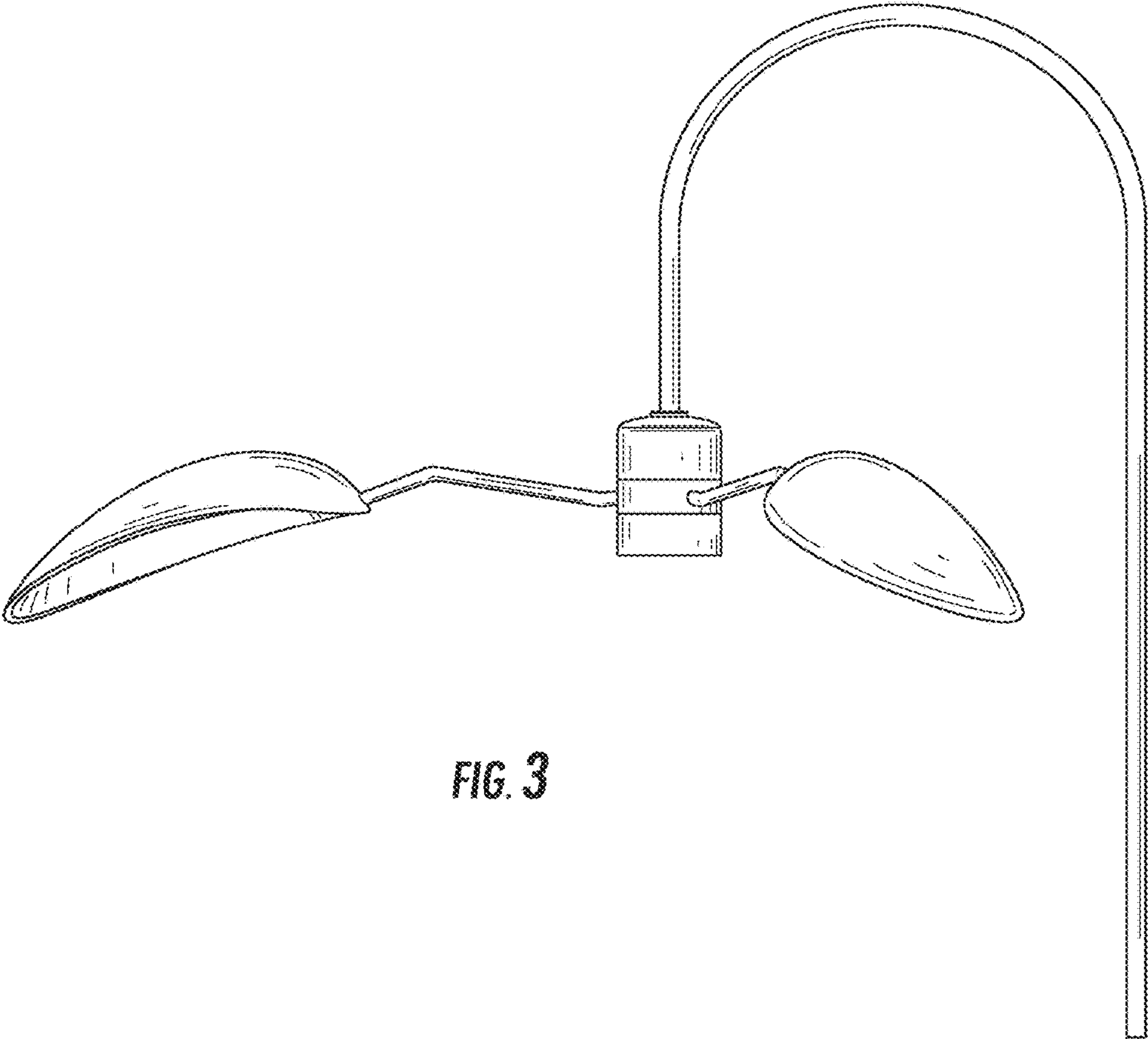


FIG. 3

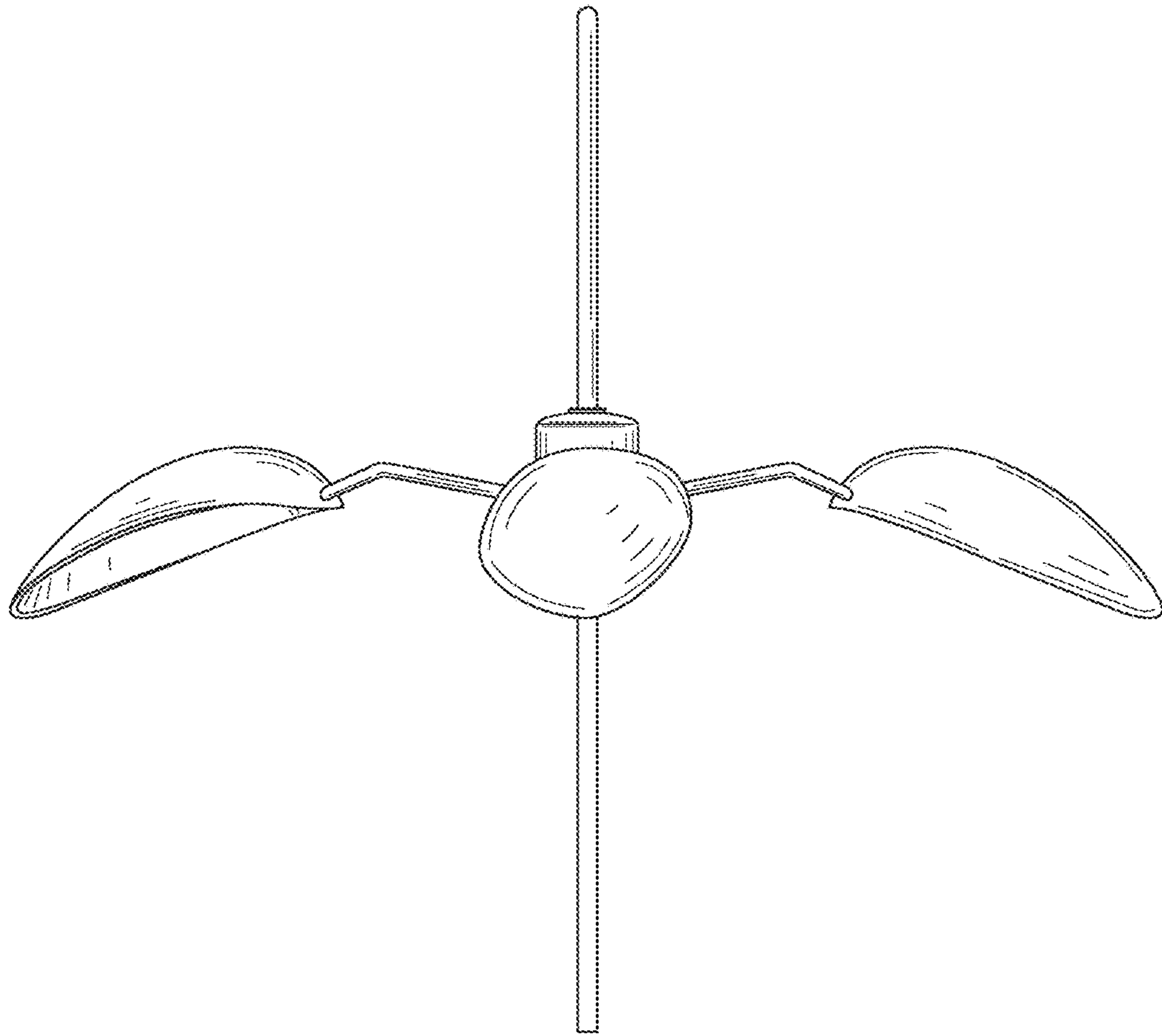


FIG. 4



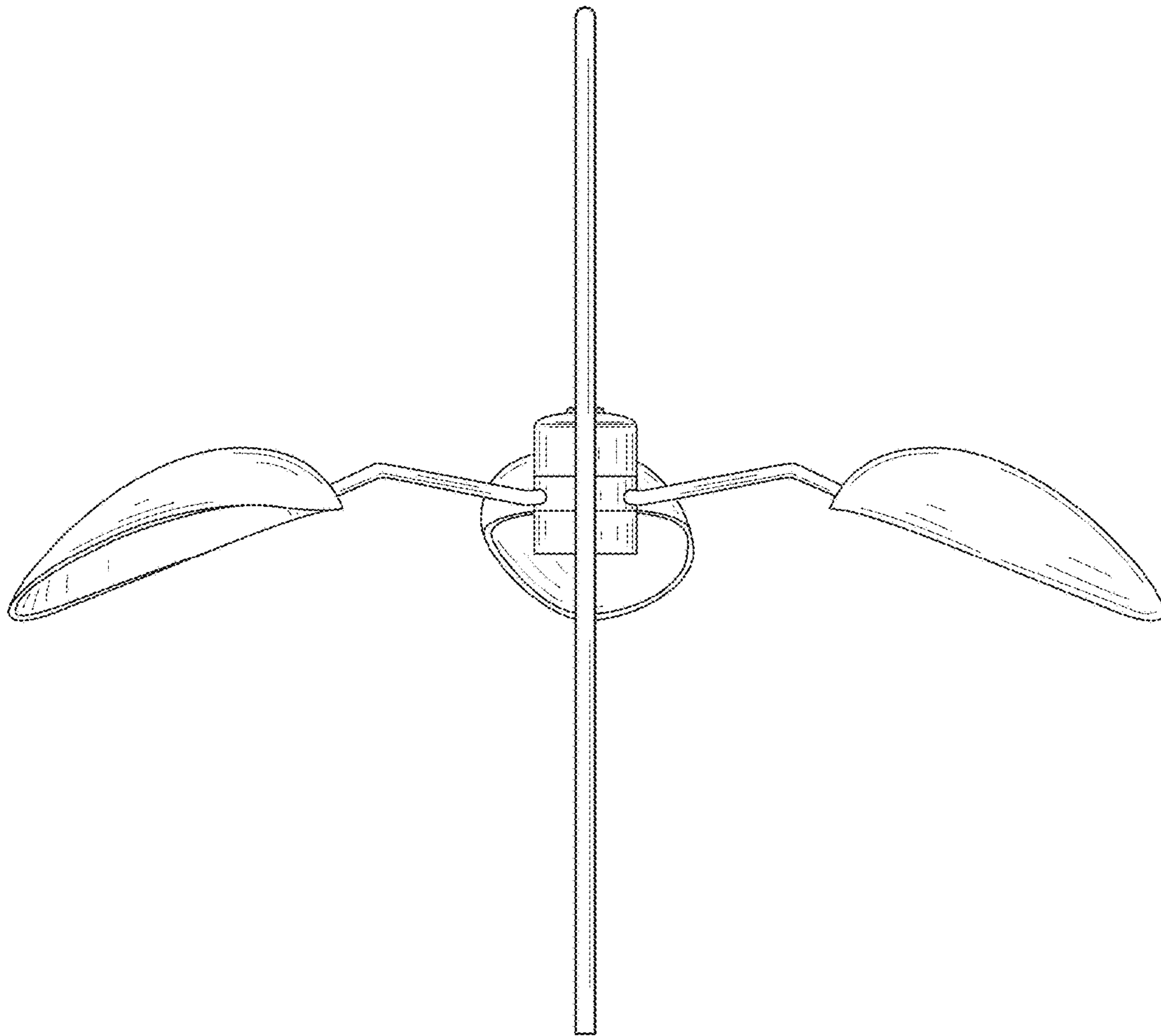


FIG. 5

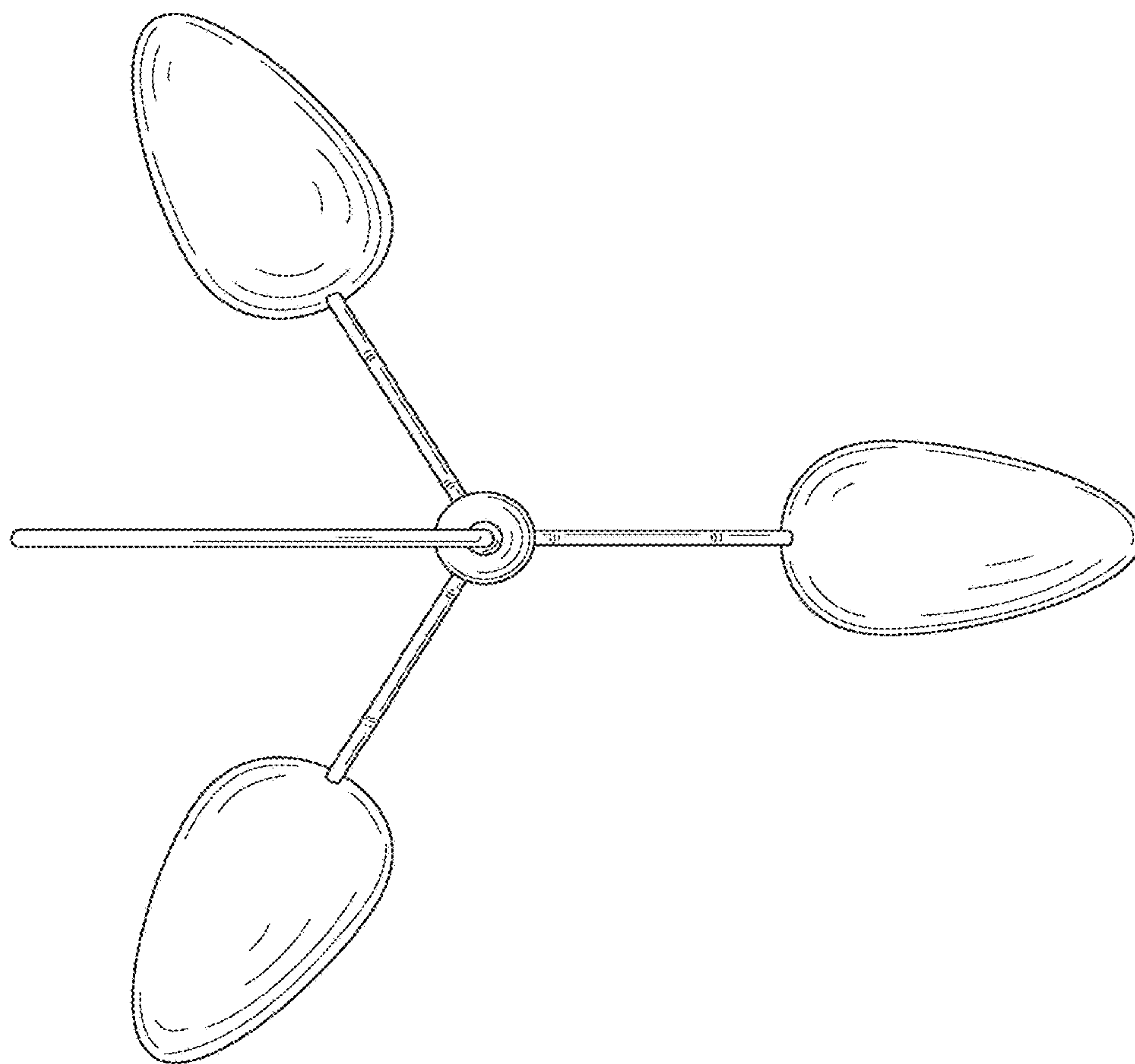


FIG. 6



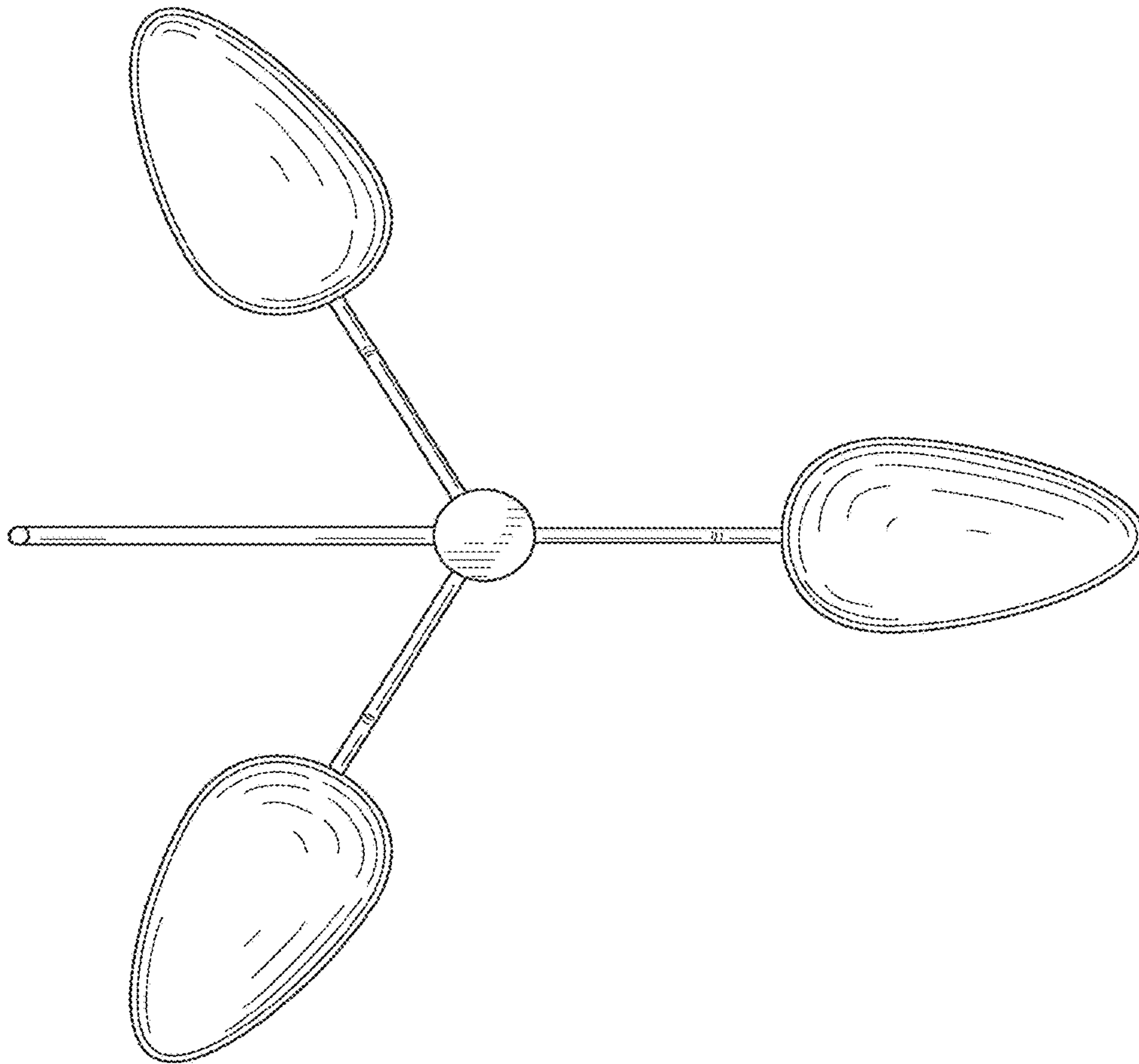
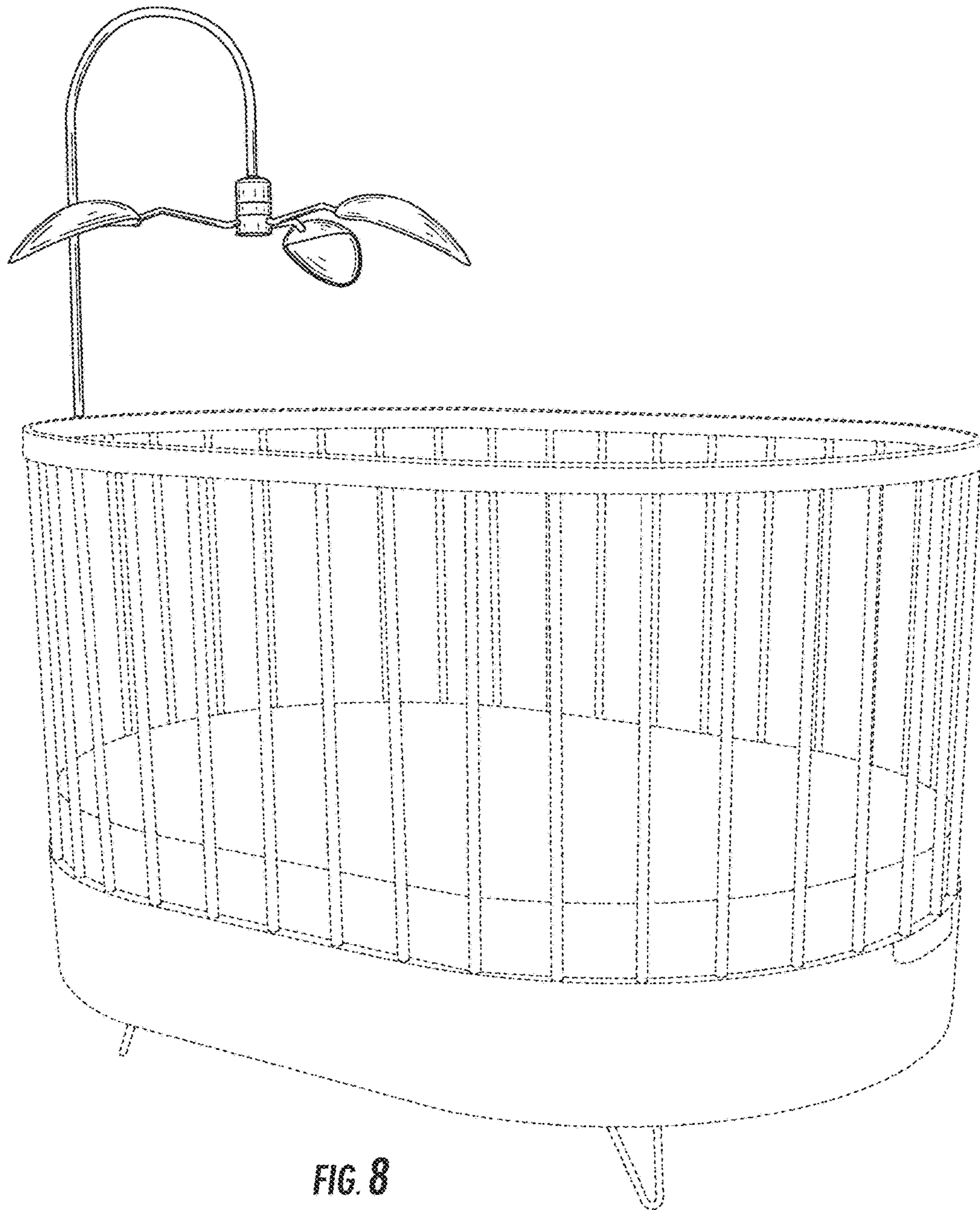


FIG. 7



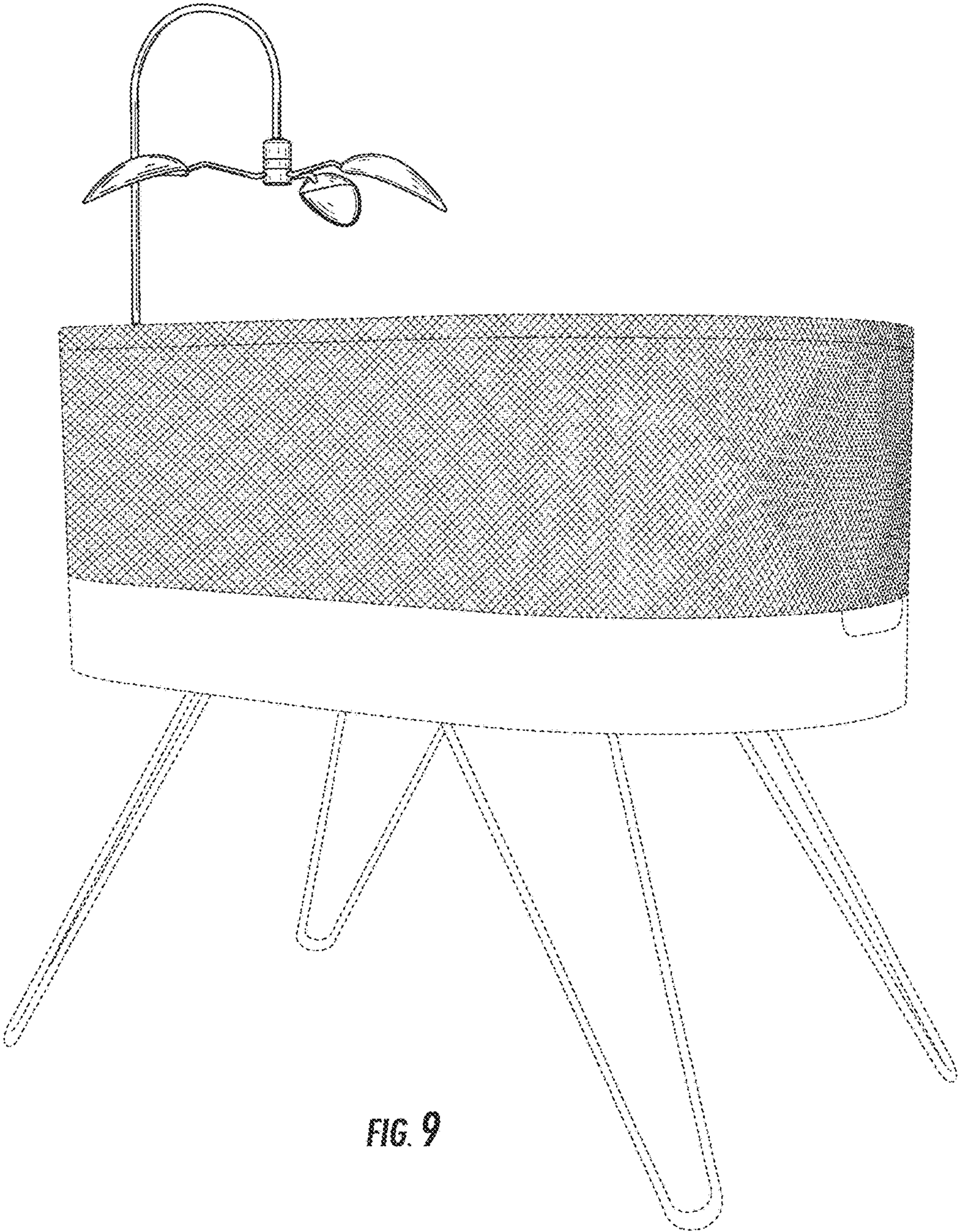


FIG. 9