

US00D866677S

(12) **United States Design Patent**  
**Horikoshi**

(10) **Patent No.:** **US D866,677 S**

(45) **Date of Patent:** **\*\* Nov. 12, 2019**

(54) **SPINNING TOP TOY**

(71) Applicant: **TOMY COMPANY, LTD.**, Tokyo (JP)

(72) Inventor: **Kenji Horikoshi**, Tokyo (JP)

(73) Assignee: **TOMY COMPANY, LTD.**, Tokyo (JP)

(\*\*) Term: **15 Years**

(21) Appl. No.: **29/615,384**

(22) Filed: **Aug. 29, 2017**

(30) **Foreign Application Priority Data**

Jun. 26, 2017 (JP) ..... 2017-013633

(51) **LOC (12) Cl.** ..... **21-01**

(52) **U.S. Cl.**

USPC ..... **D21/460**

(58) **Field of Classification Search**

USPC ..... D21/455-464; 446/236-266

CPC ..... A63H 1/00-32

See application file for complete search history.

(56) **References Cited**

**U.S. PATENT DOCUMENTS**

D615,134 S	6/2010	Nishimoto	
D629,051 S *	12/2010	Nishimoto	D21/460
D629,468 S *	12/2010	Ujita	D21/460
D646,729 S *	10/2011	Ujita	D21/460
D662,556 S *	6/2012	Horikoshi	D21/460
D820,919 S	6/2018	Horikoshi	

(Continued)

**FOREIGN PATENT DOCUMENTS**

CN	300830962	*	9/2008
EM	003047489-0008	*	4/2016

(Continued)

*Primary Examiner* — Catherine A Tuttle

(74) *Attorney, Agent, or Firm* — Staas & Halsey LLP

(57) **CLAIM**

The ornamental design for a spinning top toy, as shown and described.

**DESCRIPTION**

FIG. 1 is a front view of the spinning top toy showing my design;

FIG. 2 is a left side view thereof;

FIG. 3 is a rear view thereof;

FIG. 4 is right side view thereof;

FIG. 5 is a top view thereof;

FIG. 6 is a bottom view thereof;

FIG. 7 is a perspective view thereof;

FIG. 8 is a front view thereof corresponding to FIG. 1 but showing contour shading to the exterior parts and with the interior parts omitted for clarity of disclosure;

FIG. 9 is a left side view thereof corresponding to FIG. 2 but showing contour shading to the exterior parts and with the interior parts omitted for clarity of disclosure;

FIG. 10 is rear view thereof corresponding to FIG. 3 but showing contour shading to the exterior parts and with the interior parts omitted for clarity of disclosure;

FIG. 11 is a right side view thereof corresponding to FIG. 4 but showing contour shading to the exterior parts and with the interior parts omitted for clarity of disclosure;

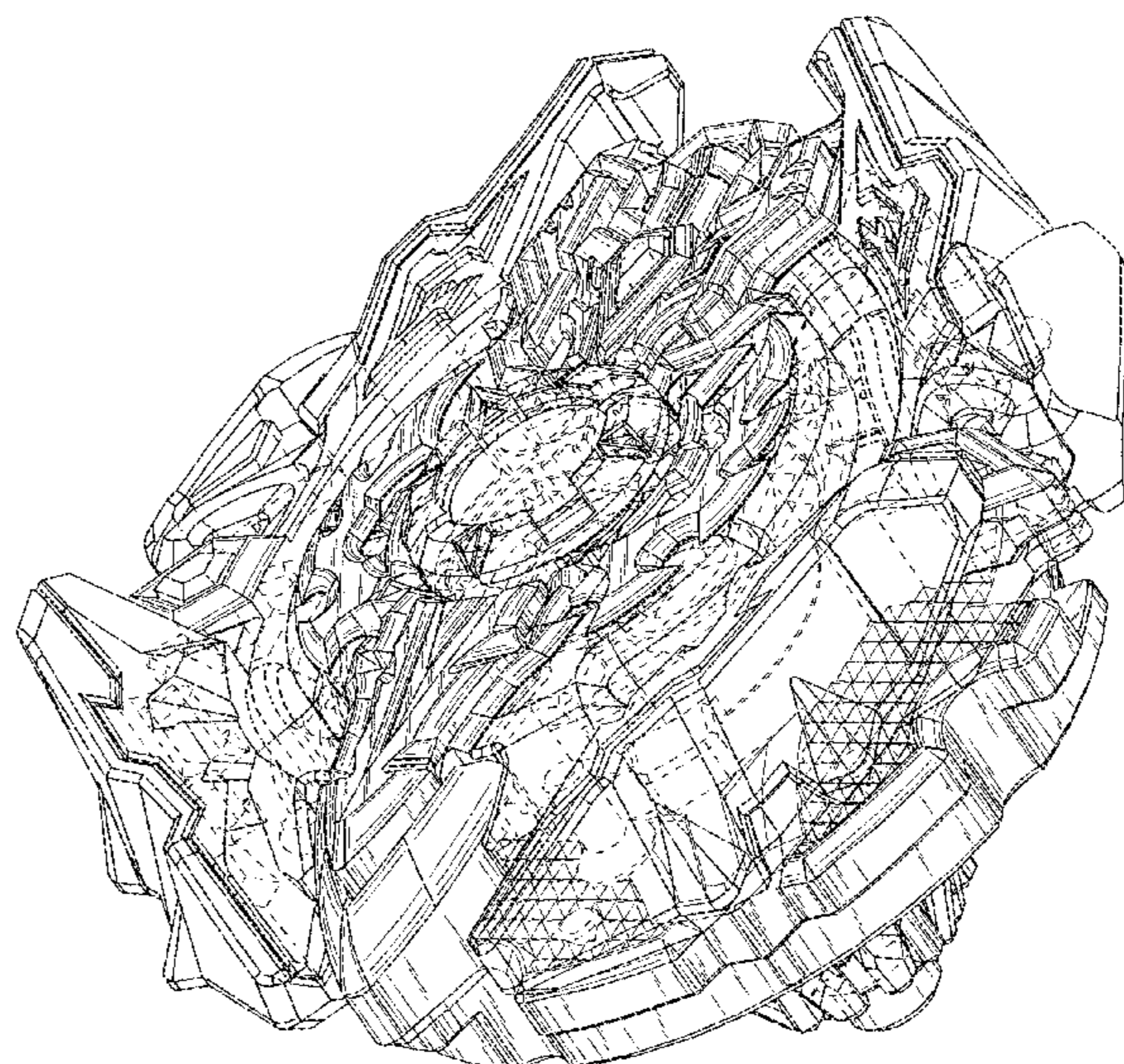
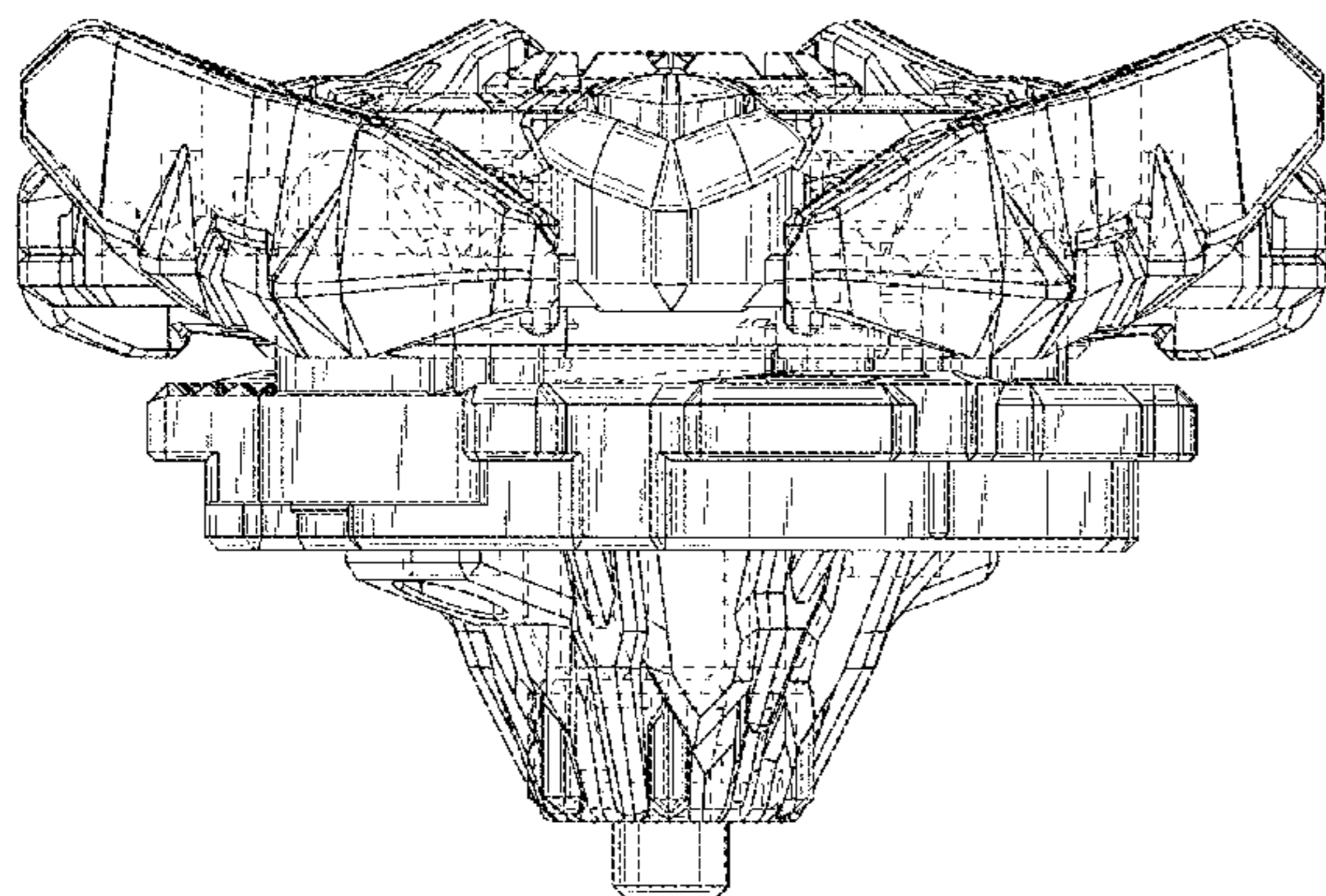
FIG. 12 is a top view thereof corresponding to FIG. 5 but showing contour shading to the exterior parts and with the interior parts omitted for clarity of disclosure;

FIG. 13 is a bottom view thereof corresponding to FIG. 6 but showing contour shading to the exterior parts and with the interior parts omitted for clarity of disclosure; and,

FIG. 14 is a perspective view corresponding to FIG. 7, but showing contour shading to the exterior parts and with the interior parts omitted for clarity of disclosure.

The portions of the spinning top toy shown in broken lines form no part of the claimed design.

**1 Claim, 14 Drawing Sheets**



(56)

**References Cited**

U.S. PATENT DOCUMENTS

D825,670	S	*	8/2018	Muraki	.....	D21/460
D825,672	S	*	8/2018	Muraki	.....	D21/460
D827,043	S	*	8/2018	Muraki	.....	D21/460
D827,044	S		8/2018	Horikoshi		
D827,046	S	*	8/2018	Horikoshi	.....	D21/460
D828,456	S	*	9/2018	Muraki	.....	D21/460
D834,103	S		11/2018	Horikoshi		
D837,899	S	*	1/2019	Narita	.....	D21/460
D842,935	S	*	3/2019	Horikoshi	.....	D21/460
D844,069	S		3/2019	Horikawa et al.		
D845,396	S	*	4/2019	Horikoshi	.....	D21/460
D846,034	S	*	4/2019	Horikawa	.....	D21/460
D846,656	S	*	4/2019	Horikoshi	.....	D21/460
D848,539	S	*	5/2019	Horikoshi	.....	D21/460
D849,847	S		5/2019	Horikoshi		
D849,849	S		5/2019	Muraki et al.		
D851,178	S		6/2019	Narita		
D852,280	S		6/2019	Horikoshi		
2003/0064660	A1	*	4/2003	Matsukawa	.....	A63F 3/00895 446/256

FOREIGN PATENT DOCUMENTS

EM	003318252-0007	*	8/2016			
JP	D1549750	*	5/2016			
JP	D1549751	*	5/2016			
JP	5959773	B1	8/2016	.....	A63H 1/02	
JP	D1557219	*	8/2016			
JP	D1557220	*	8/2016			
JP	D1557223	*	8/2016			
WO	D098063-001	*	10/2017			

\* cited by examiner



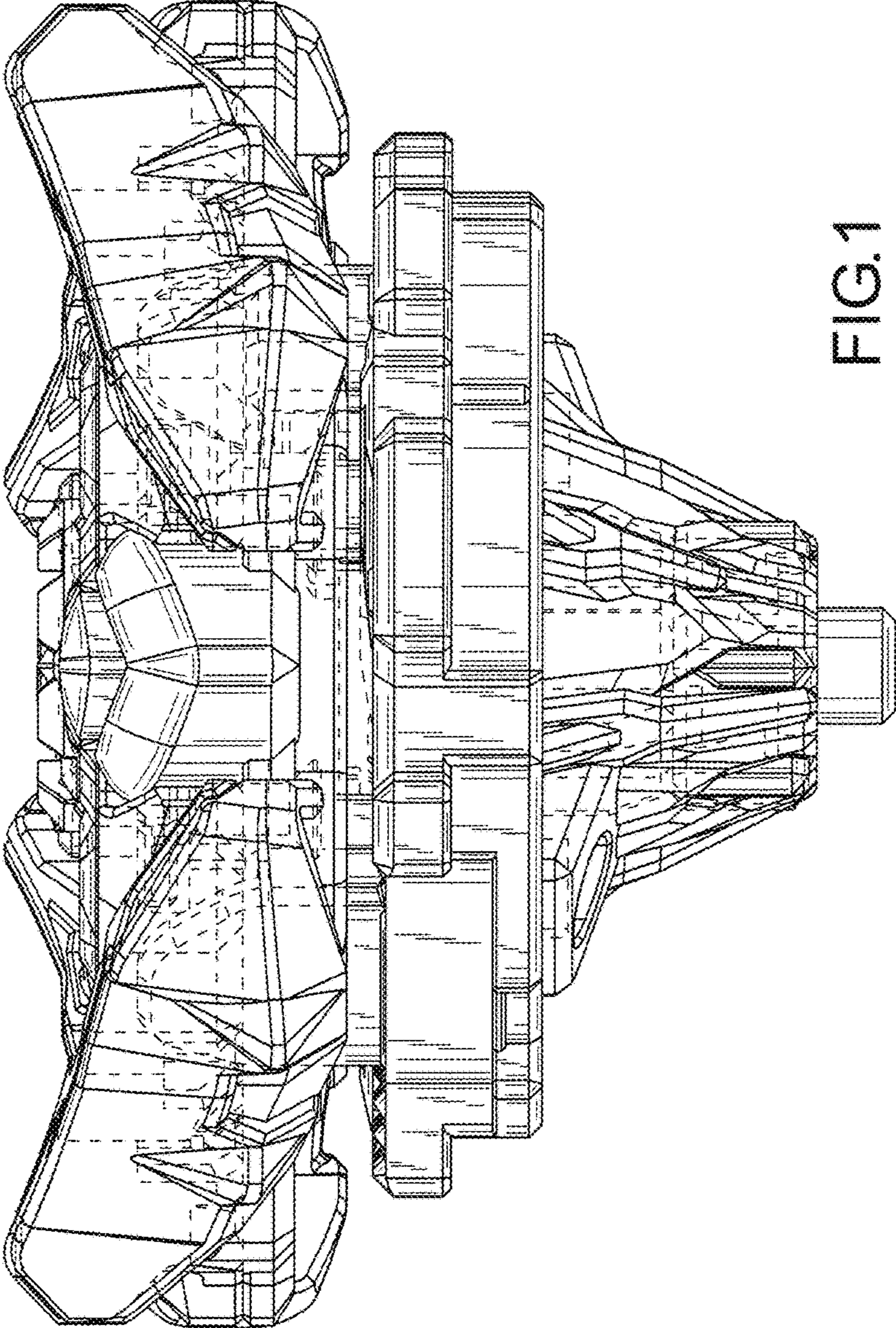


FIG.1

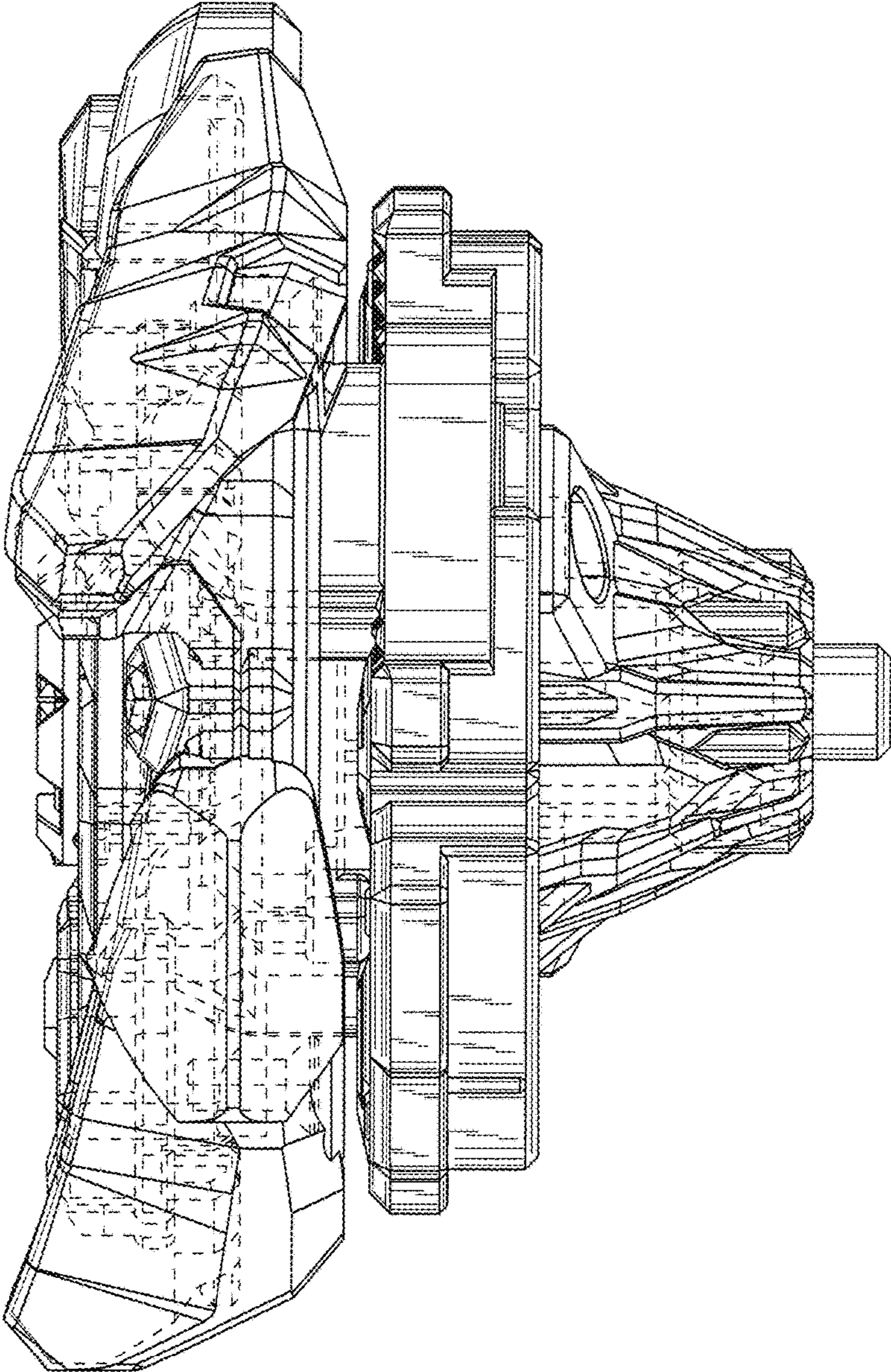


FIG.2



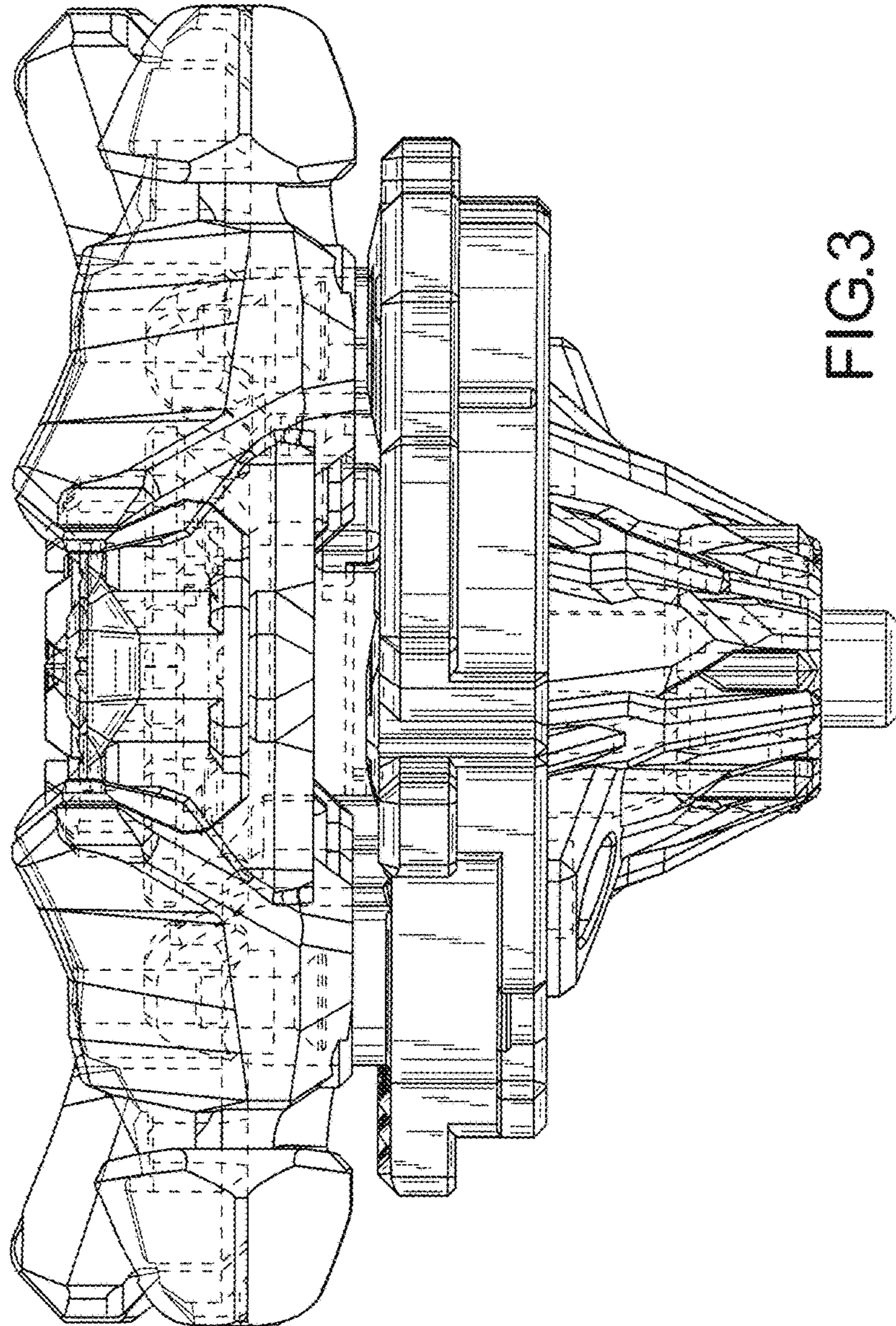


FIG.3

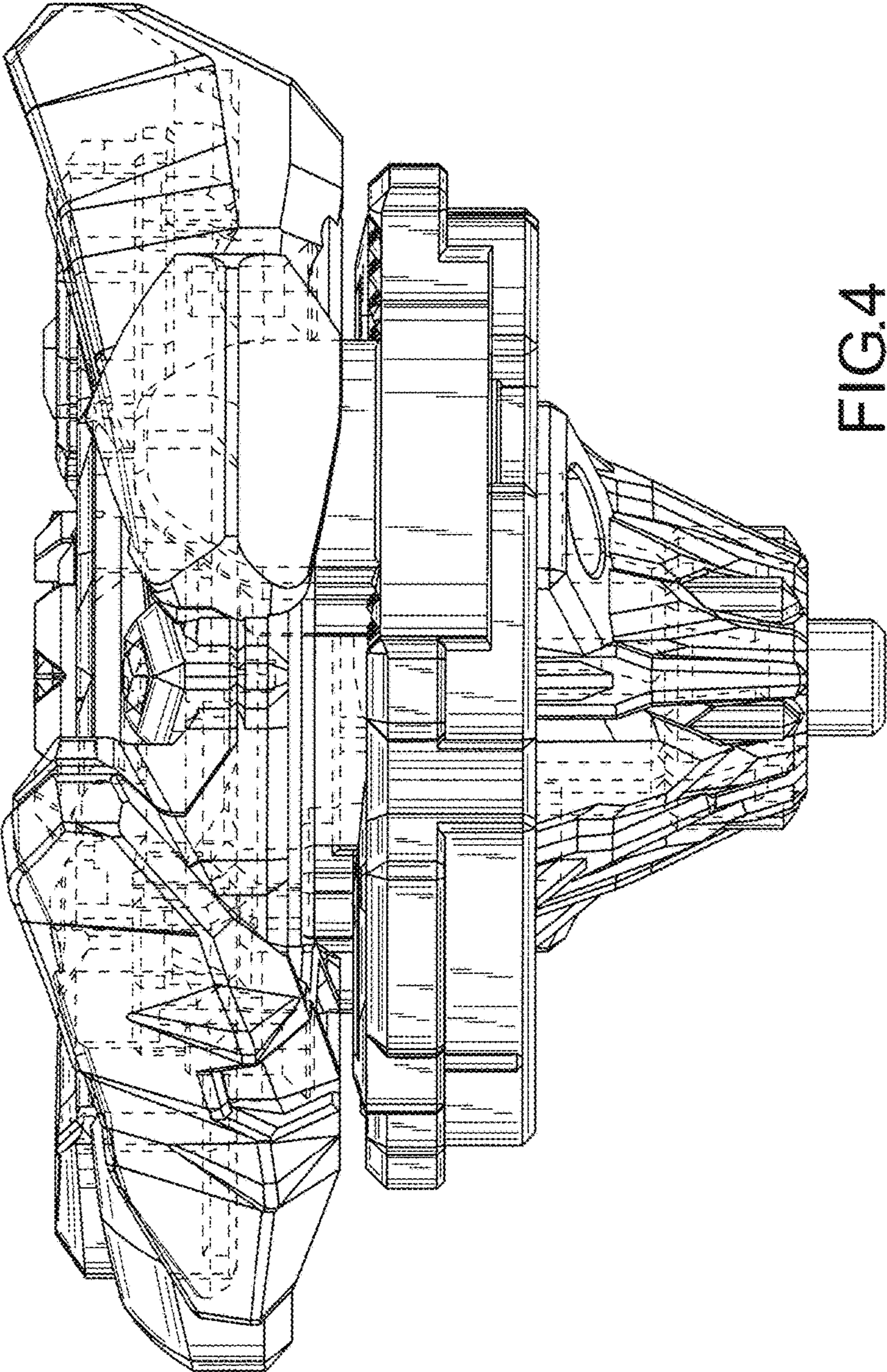


FIG.4



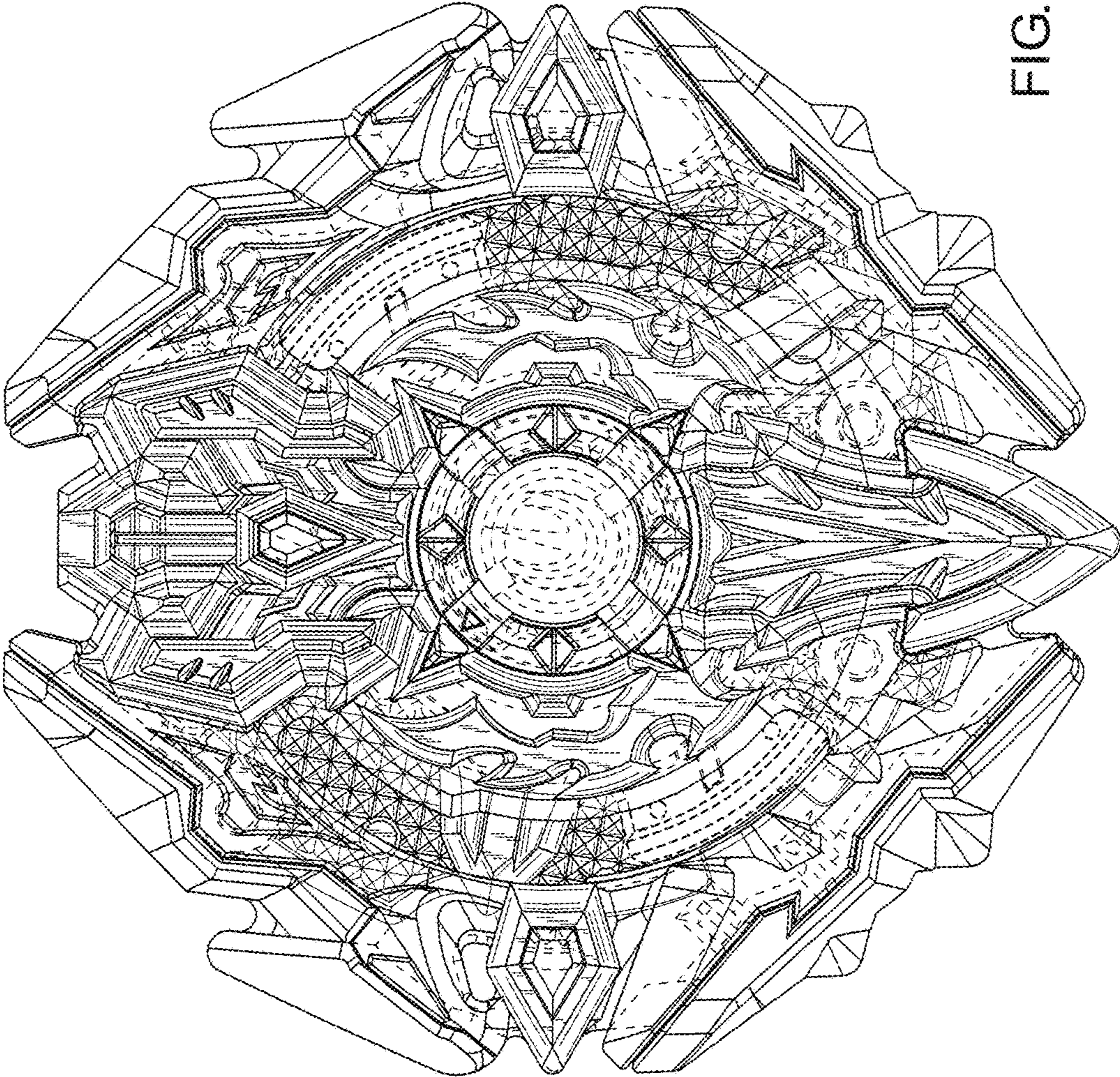


FIG.5



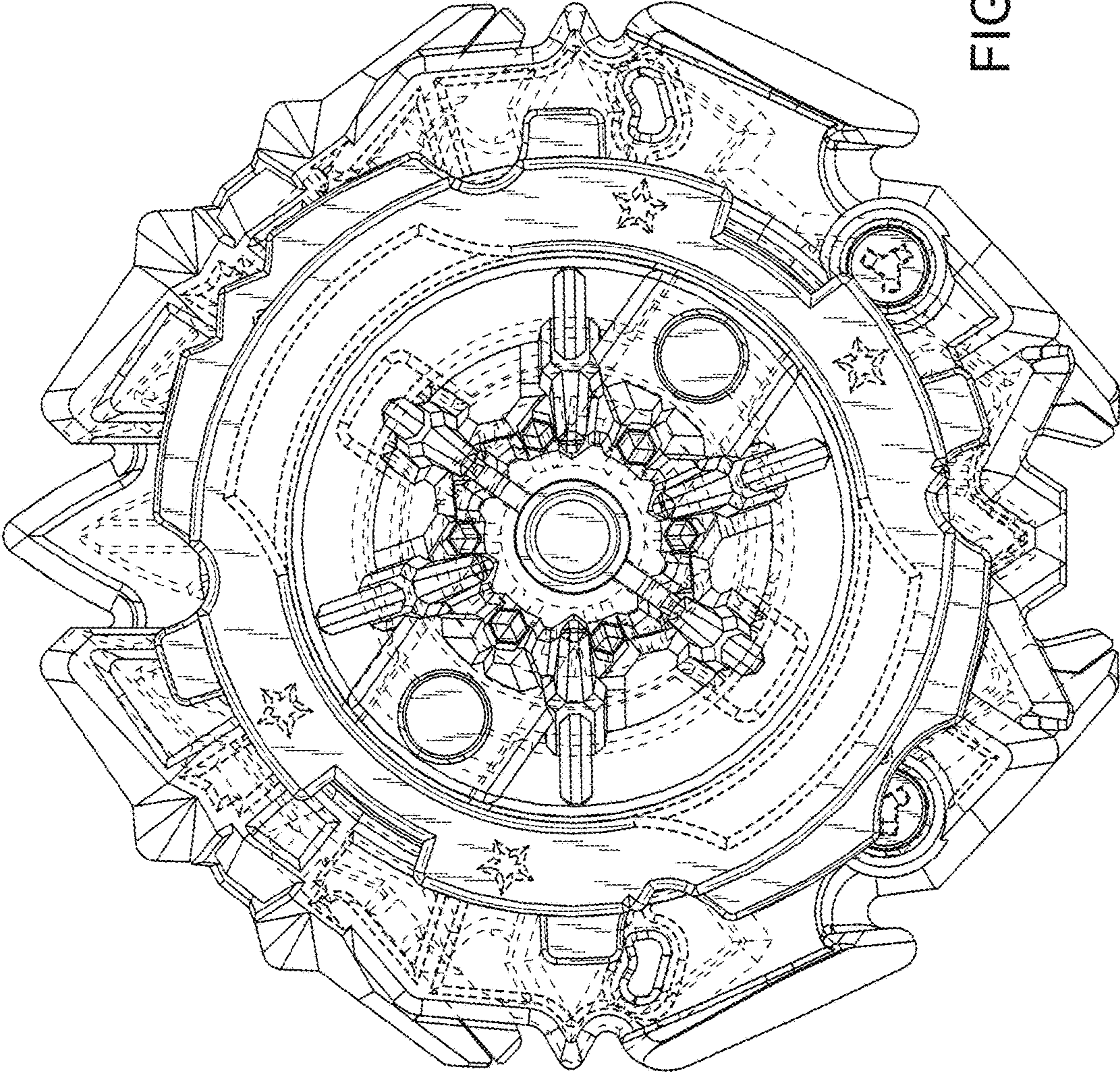


FIG.6



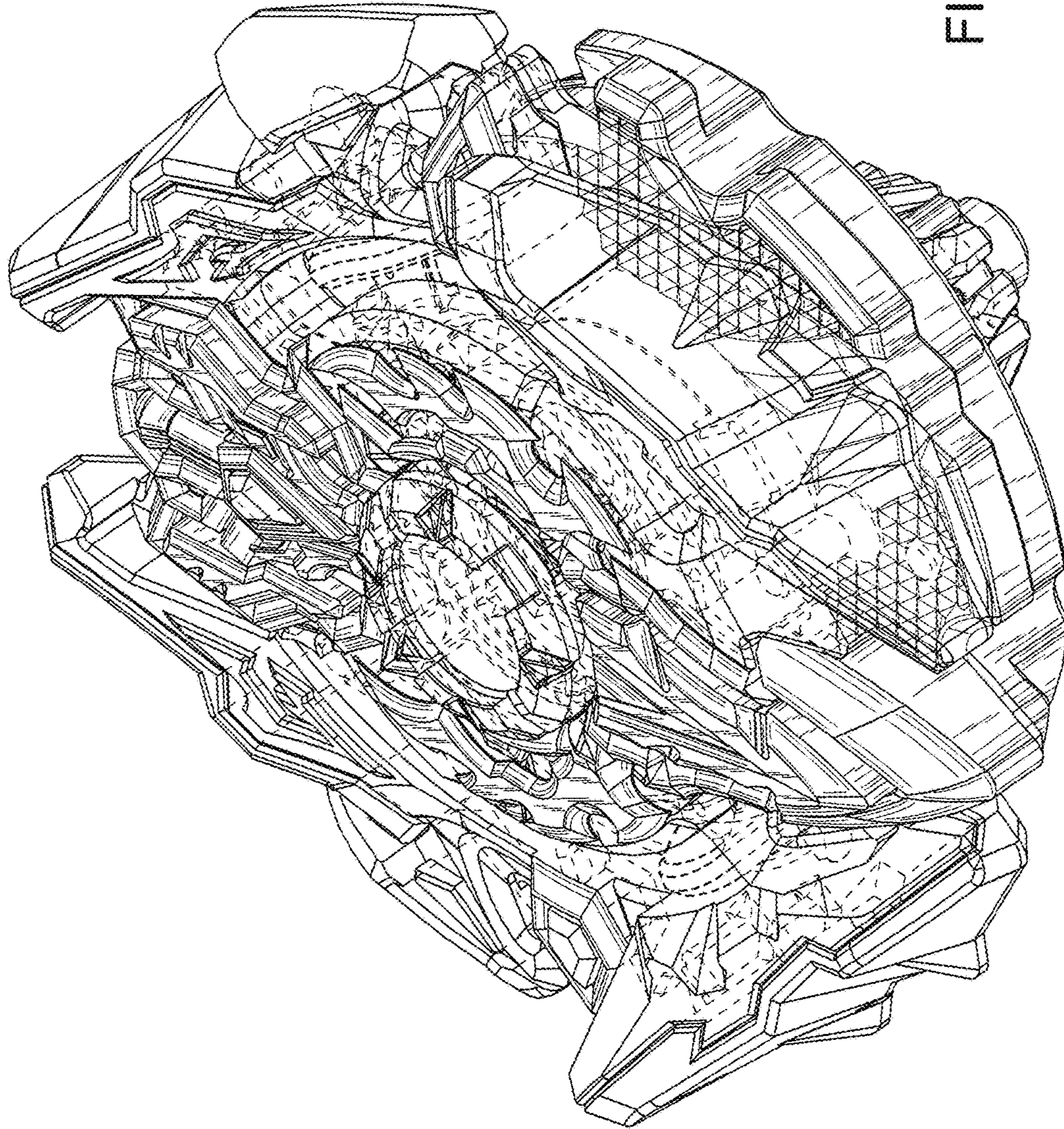


FIG.7



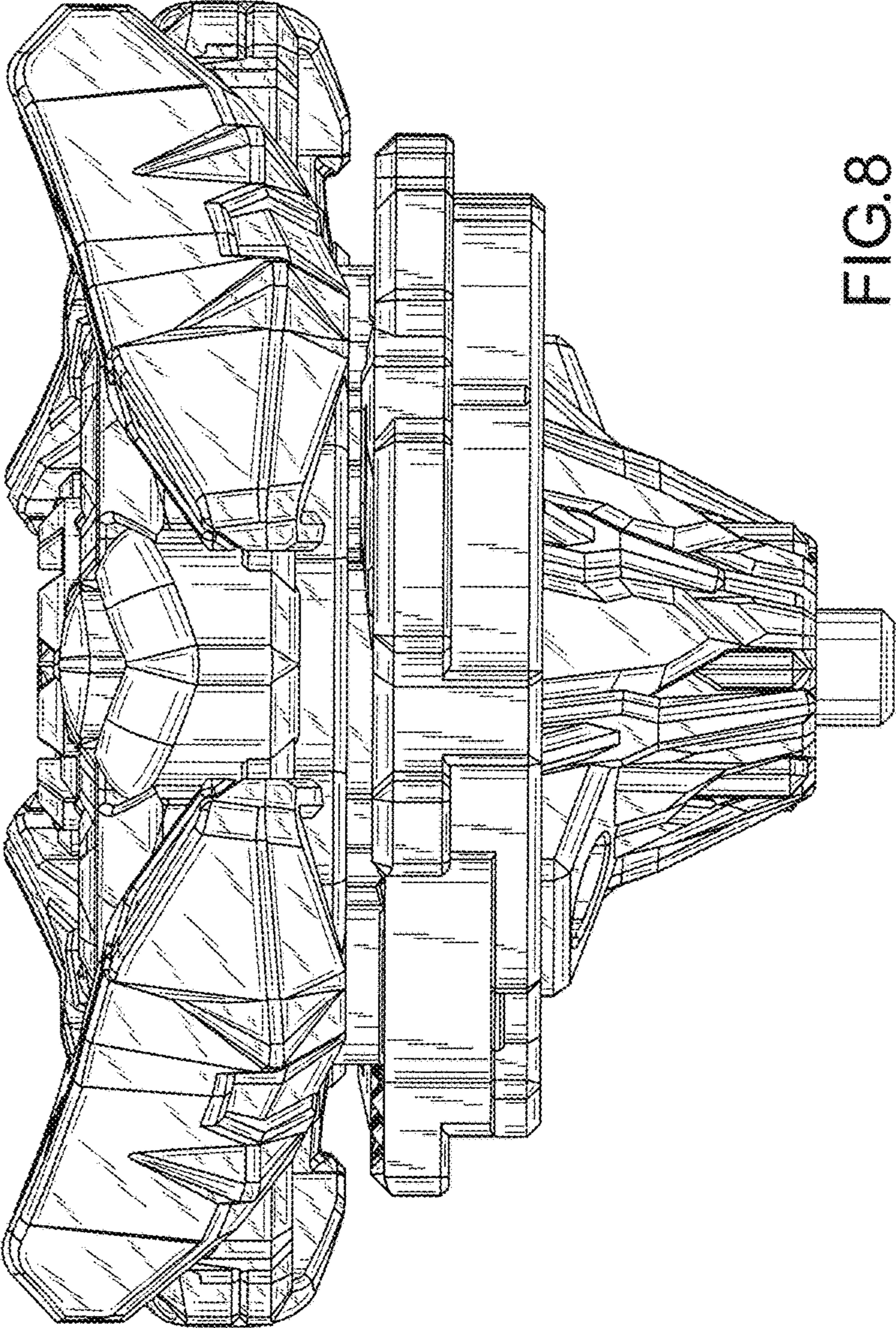


FIG.8



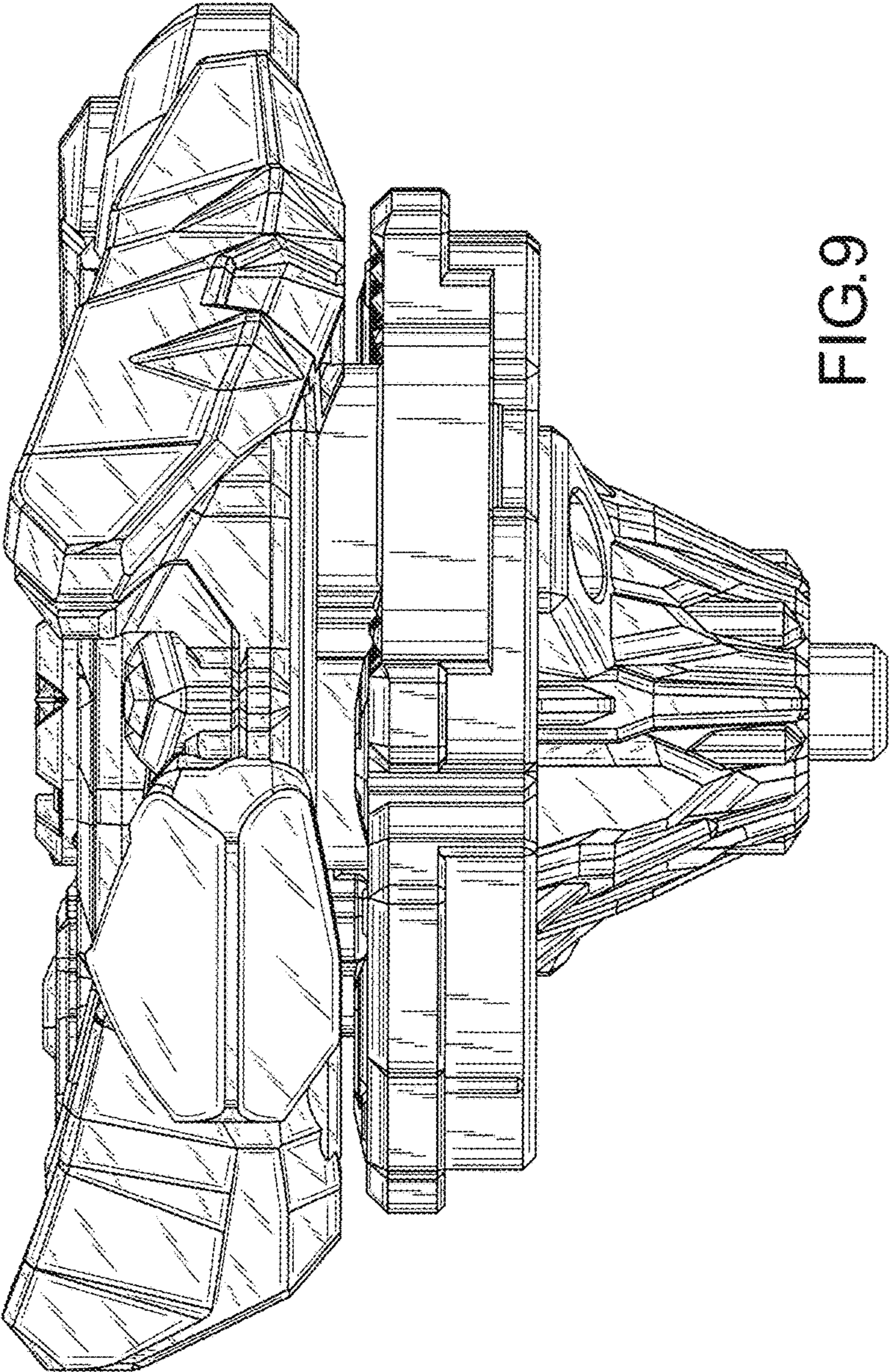


FIG. 9



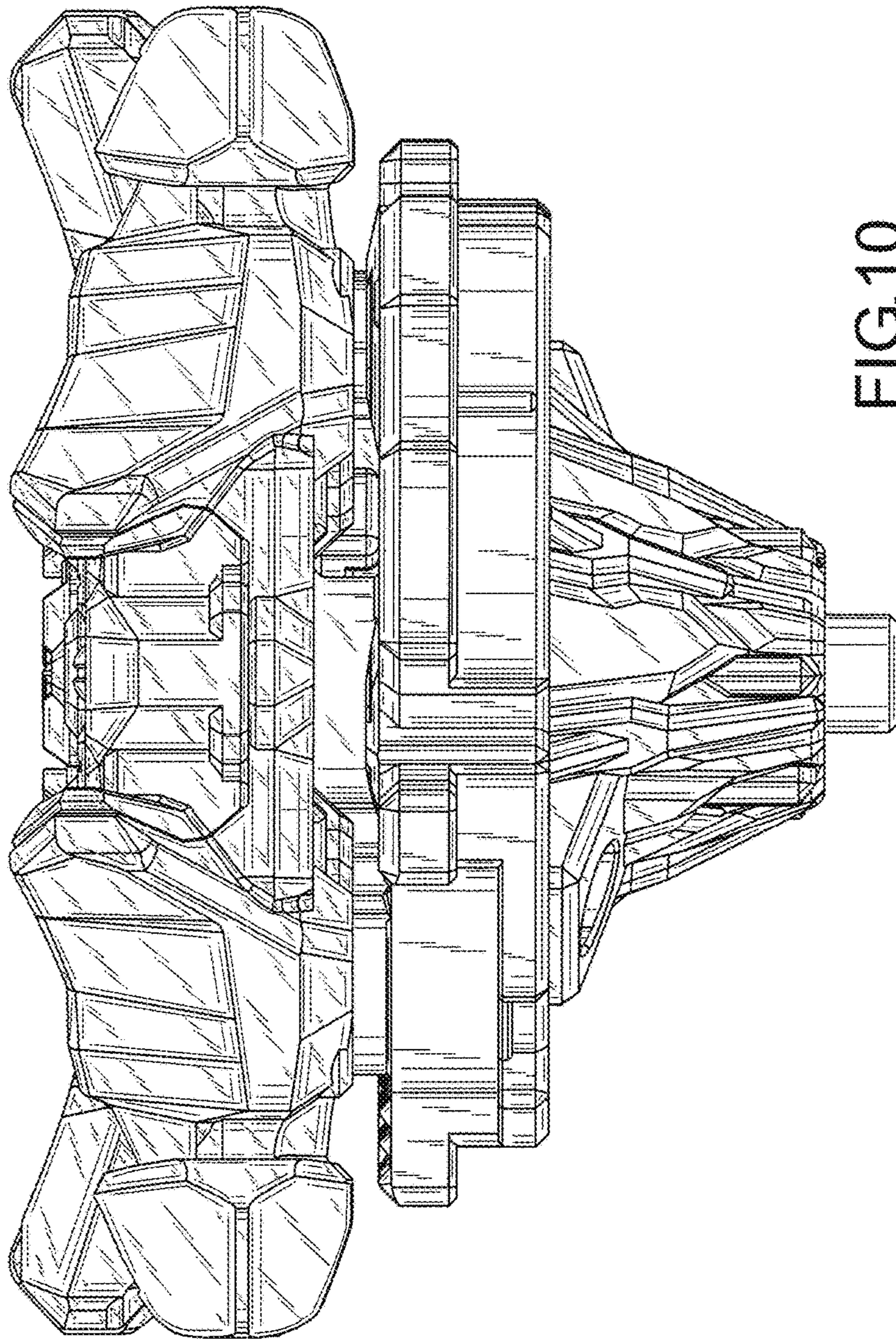


FIG.10



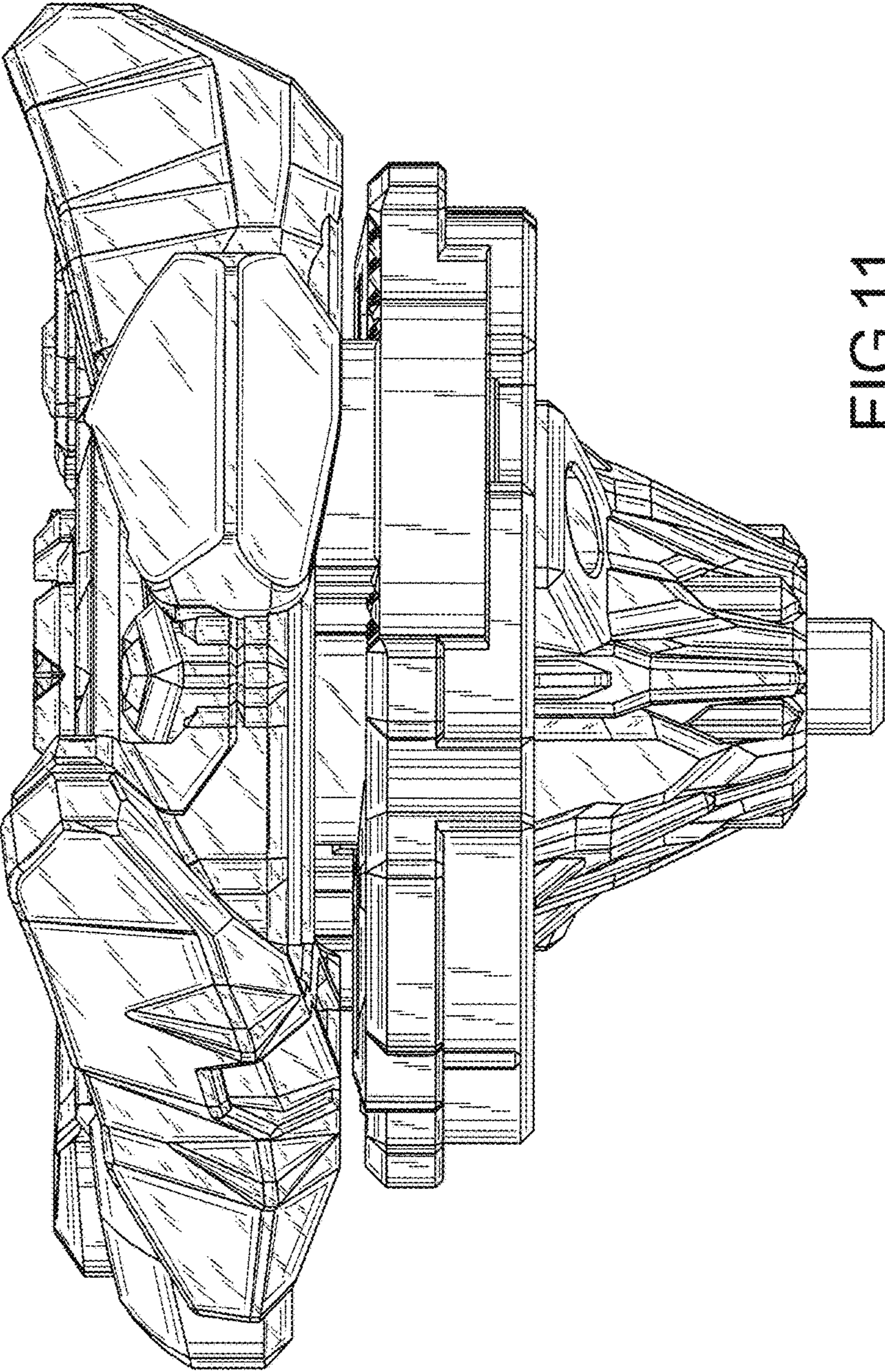


FIG.11



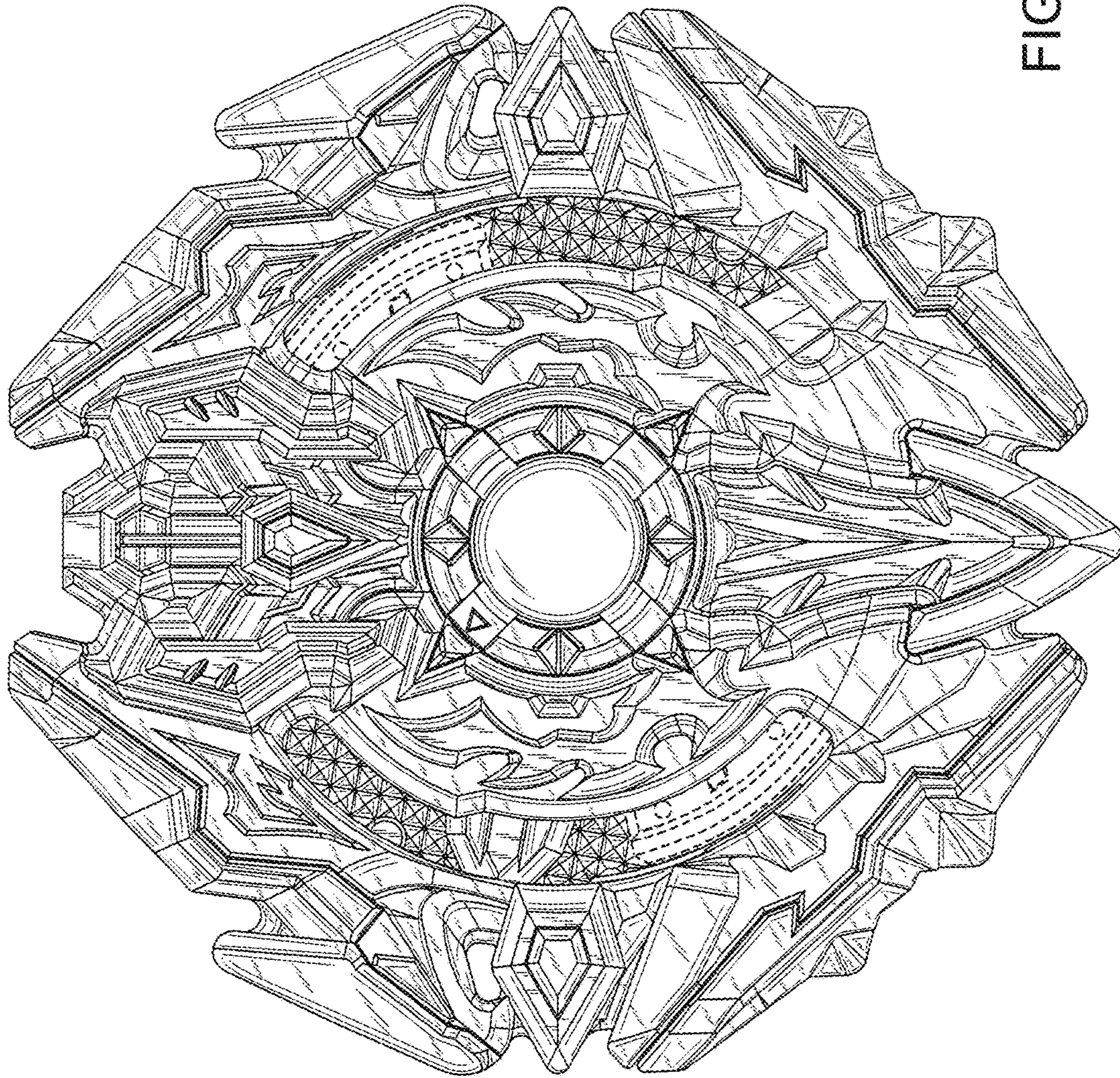


FIG.12



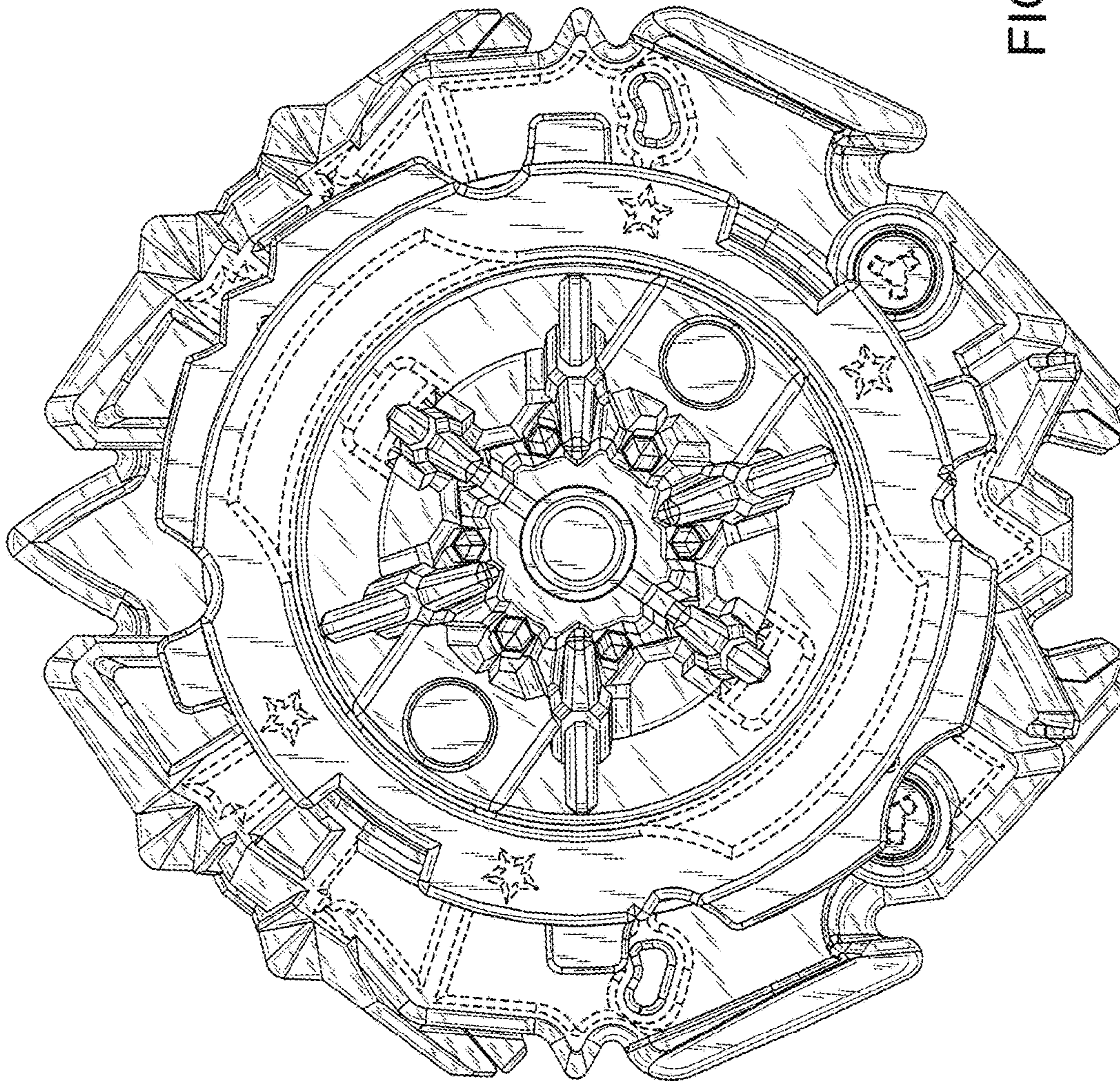


FIG.13



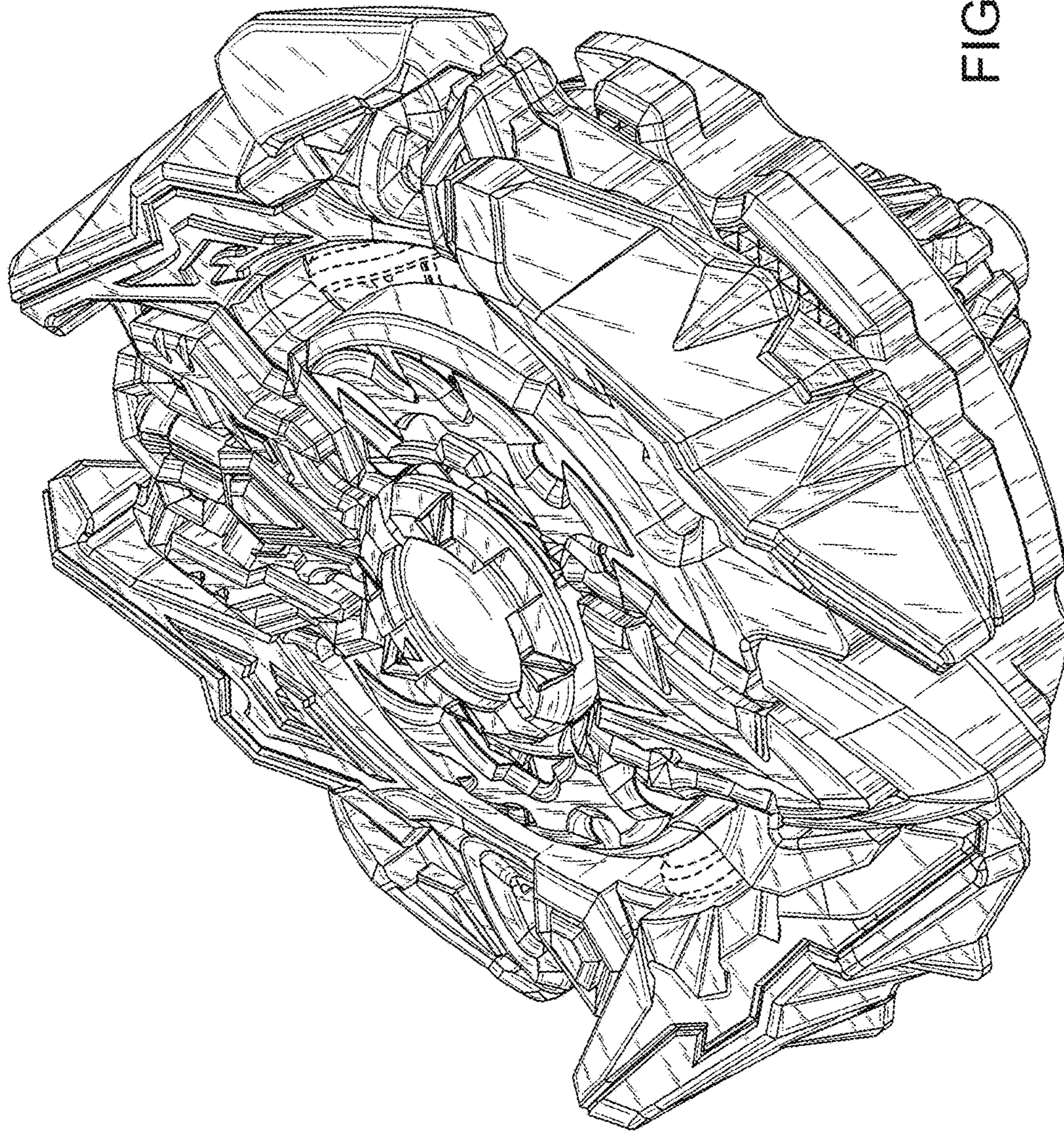


FIG.14