



US00D866676S

(12) **United States Design Patent**
Ostergaard

(10) **Patent No.:** **US D866,676 S**

(45) **Date of Patent:** **** Nov. 12, 2019**

(54) **FOLDABLE WAGON**

(71) Applicant: **RADIO FLYER INC.**, Chicago, IL
(US)

(72) Inventor: **Collin Ostergaard**, Chicago, IL (US)

(73) Assignee: **Radio Flyer Inc.**, Chicago, IL (US)

(**) Term: **15 Years**

(21) Appl. No.: **29/624,565**

(22) Filed: **Nov. 2, 2017**

(51) **LOC (12) Cl.** **21-01**

(52) **U.S. Cl.**
USPC **D21/425**

(58) **Field of Classification Search**
USPC D12/17, 19, 20, 102, 105, 129; D21/425,
D21/534-536
CPC .. B62B 3/00; B62B 3/02; B62B 3/007; B62B
5/08; B62B 5/082; B60P 3/00; B60P
3/34; B60P 3/42

See application file for complete search history.

(56) **References Cited**

U.S. PATENT DOCUMENTS

2,468,316 A	4/1949	Waters
2,671,520 A	3/1954	Elliott et al.
2,906,357 A	9/1959	Pletka
2,923,365 A	2/1960	McKechnie
2,942,579 A	6/1960	Gibson
2,989,318 A	6/1961	Schenkman
3,036,651 A	5/1962	Paul et al.
3,090,459 A	5/1963	Scudder
3,182,835 A	5/1965	Meyer et al.
3,280,932 A	10/1966	Moulton
3,291,243 A	12/1966	Friesser
3,356,172 A	12/1967	Peckham et al.
3,407,892 A	10/1968	Vosseller
3,524,512 A	8/1970	Voeks et al.
3,704,758 A	12/1972	Cropp
3,731,756 A	5/1973	Hajec

3,742,507 A	6/1973	Pine
3,773,131 A	11/1973	Jaulmes
3,841,428 A	10/1974	Bialek
3,871,464 A	3/1975	Eden
3,893,532 A	7/1975	Perlowin
3,905,442 A	9/1975	O'Neill, Jr.
3,915,250 A	10/1975	Laden et al.
3,921,741 A	11/1975	Garfinkle et al.

(Continued)

FOREIGN PATENT DOCUMENTS

TW M288610 U 11/2006

Primary Examiner — Manpreet S Matharu

Assistant Examiner — Keith J Wilson

(74) *Attorney, Agent, or Firm* — Barnes and Thornburg
LLP

(57) **CLAIM**

I claim the ornamental design for a foldable wagon, as shown and described.

DESCRIPTION

FIG. 1 is a rear perspective view of a foldable wagon according to the new design.

FIG. 2 is a front view of the foldable wagon shown in FIG. 1.

FIG. 3 is a rear view of the foldable wagon shown in FIG. 1.

FIG. 4 is a right side view of the foldable wagon shown in FIG. 1.

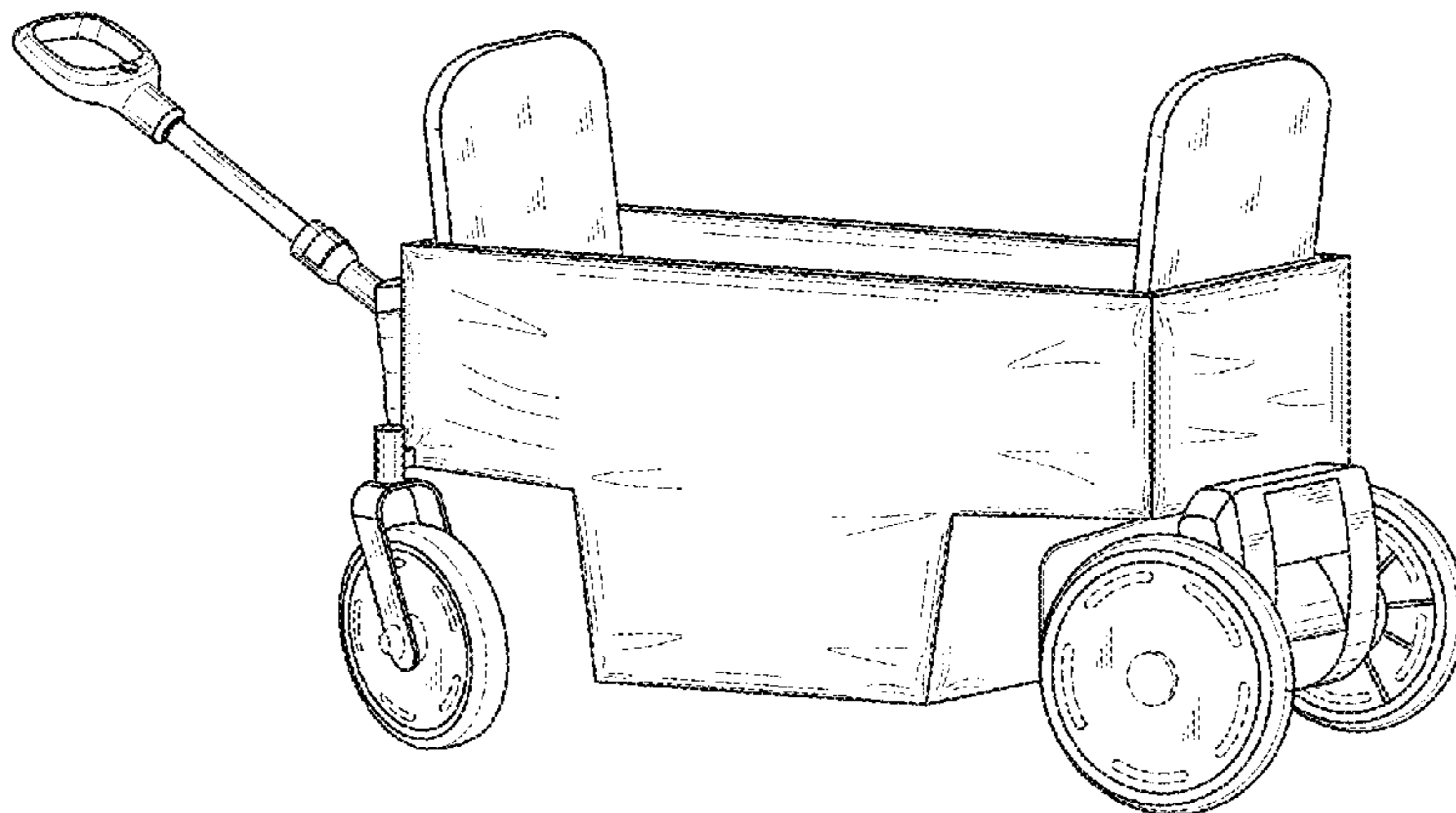
FIG. 5 is a left side view of the foldable wagon shown in FIG. 1.

FIG. 6 is a top view of the foldable wagon shown in FIG. 1; and,

FIG. 7 is a bottom view of the foldable wagon shown in FIG. 1.

The broken lines in the drawings illustrate portions of the foldable wagon that form no part of the claimed design.

1 Claim, 7 Drawing Sheets



(56)

References Cited

U.S. PATENT DOCUMENTS							
3,939,932	A	2/1976	Rosen	5,878,831	A	3/1999	Saito et al.
3,991,843	A	11/1976	Davidson	5,899,284	A	5/1999	Reimers et al.
4,030,562	A	6/1977	Leighton et al.	5,909,781	A	6/1999	Yonekawa et al.
4,044,851	A	8/1977	Shaw et al.	5,910,714	A	6/1999	Buchanan et al.
4,085,814	A	4/1978	Davidson et al.	5,924,511	A	7/1999	Takata
4,095,663	A	6/1978	Gaffney	5,934,401	A	8/1999	Mayer et al.
4,105,084	A	8/1978	Baak	5,984,038	A	11/1999	Fujiwara et al.
4,106,583	A	8/1978	Nemeth	6,011,366	A	1/2000	Murakami et al.
4,122,907	A	10/1978	Davidson et al.	6,015,021	A	1/2000	Tanaka et al.
4,143,730	A	3/1979	Desmond	6,024,186	A	2/2000	Suga
4,168,758	A	9/1979	Holt	6,062,328	A	5/2000	Campbell et al.
4,221,275	A	9/1980	Pennebaker et al.	6,062,329	A	5/2000	Chai
4,280,581	A	7/1981	Rudwick	6,065,557	A	5/2000	Von Keyserling
4,346,772	A	8/1982	Cliff	6,070,679	A	6/2000	Berg et al.
4,393,954	A	7/1983	Soucy et al.	6,073,717	A	6/2000	Yamamoto et al.
D270,552	S *	9/1983	Echterling D21/425	6,092,615	A	7/2000	Pusch et al.
4,410,060	A	10/1983	Cunard	6,104,154	A	8/2000	Harada et al.
4,413,692	A	11/1983	Cliff	6,131,683	A	10/2000	Wada
D275,691	S *	9/1984	Appel D21/425	6,152,249	A	11/2000	Li et al.
4,538,696	A	9/1985	Carter	6,152,250	A	11/2000	Shu-Hsien
4,570,732	A	2/1986	Craven	6,173,801	B1	1/2001	Kakutani et al.
4,591,017	A	5/1986	Enjo et al.	6,186,264	B1	2/2001	Fujiwara et al.
4,615,406	A	10/1986	Bottenschein et al.	6,247,548	B1	6/2001	Hayashi et al.
4,637,274	A	6/1987	Goldenfield	6,260,646	B1	7/2001	Fernandez et al.
D295,732	S *	5/1988	Nilsson D12/19	6,276,470	B1	8/2001	Andreae, Jr. et al.
4,771,840	A	9/1988	Keller	6,276,471	B1	8/2001	Kratzenberg
4,844,493	A	7/1989	Kramer	6,276,479	B1	8/2001	Suzuki et al.
4,844,683	A	7/1989	Compton	6,290,014	B1	9/2001	MacCready, Jr.
4,848,504	A	7/1989	Olson	6,296,072	B1	10/2001	Turner
D311,554	S *	10/1990	Valiga D21/425	6,308,792	B1	10/2001	Garrett
4,960,179	A	10/1990	Leach	RE37,443	E	11/2001	Yaguchi
D326,288	S *	5/1992	Arnott D21/425	6,320,336	B1	11/2001	Eguchi
5,137,103	A	8/1992	Cartmell	6,340,067	B1	1/2002	Fujiwara et al.
5,161,635	A	11/1992	Kiffe	6,343,665	B1	2/2002	Eberlein et al.
5,167,389	A	12/1992	Reimers	RE37,583	E	3/2002	Mayer et al.
5,180,023	A	6/1993	Reimers	6,364,044	B1	4/2002	Juan
5,226,501	A	7/1993	Takata	D456,857	S *	5/2002	Jennings D12/129
5,237,263	A	8/1993	Gannon	D458,648	S *	6/2002	Chiappetta D21/425
5,245,144	A	9/1993	Stammen	6,459,222	B1	10/2002	Chen
5,316,101	A	5/1994	Gannon	6,462,493	B2	10/2002	Lan
5,341,892	A	8/1994	Hirose et al.	6,470,981	B1	10/2002	Sueshige et al.
5,350,982	A	9/1994	Seib	6,580,188	B2	6/2003	Katagiri et al.
5,368,122	A	11/1994	Chou	6,591,929	B1	7/2003	Tsuboi et al.
5,370,200	A	12/1994	Takata	D478,943	S *	8/2003	Kuelbs D21/425
5,375,676	A	12/1994	Takata et al.	6,629,574	B2	10/2003	Turner
5,433,284	A	7/1995	Chou	6,634,452	B2	10/2003	Cheng et al.
5,474,148	A	12/1995	Takata	D483,419	S *	12/2003	Chiappetta D21/425
5,505,277	A	4/1996	Suganuma et al.	6,659,565	B2	12/2003	Brant
D369,629	S *	5/1996	Pasin D21/425	6,684,971	B2	2/2004	Yu et al.
5,526,894	A	6/1996	Wang	6,752,224	B2	6/2004	Hopper et al.
5,540,296	A	7/1996	Strothmann	6,772,850	B1	8/2004	Waters et al.
5,547,035	A	8/1996	Berry	6,886,111	B1	3/2005	Dube et al.
5,560,383	A	10/1996	Fuller	6,874,592	B2	4/2005	Yokotani et al.
5,602,448	A	2/1997	Yaguchi	6,880,661	B1	4/2005	Oh
5,603,388	A	2/1997	Yaguchi	6,907,949	B1	6/2005	Wang
5,657,828	A	8/1997	Nagamachi	6,957,129	B2	10/2005	Hatanaka et al.
5,662,187	A	9/1997	McGovern	6,976,551	B2	12/2005	Spanski
5,664,636	A	9/1997	Ikuma et al.	7,007,765	B2	3/2006	Waters et al.
5,685,385	A	11/1997	Sanuga	7,017,685	B2	3/2006	Schoenberg
D389,877	S *	1/1998	Pasin D21/425	7,040,440	B2	5/2006	Kurita et al.
5,746,282	A	5/1998	Fujiwara et al.	7,150,339	B2	12/2006	Liao et al.
5,749,424	A	5/1998	Reimers	7,163,213	B2	1/2007	Chambers
5,749,429	A	5/1998	Yamauchi et al.	7,185,726	B2	3/2007	Young
5,755,304	A	5/1998	Trigg et al.	7,210,545	B1	5/2007	Waid
5,758,736	A	6/1998	Yamauchi	7,220,222	B2	5/2007	Springston et al.
5,777,442	A	7/1998	Miyata	D547,391	S *	7/2007	Johnson D21/425
5,799,747	A	9/1998	Olsen	7,261,175	B1	8/2007	Fahrner
5,806,621	A	9/1998	Soda et al.	D564,039	S *	3/2008	Rodriguez D21/425
5,806,864	A	9/1998	Zielinski	D566,200	S *	4/2008	Seckel D21/425
5,816,355	A	10/1998	Battlogg et al.	7,357,209	B2	4/2008	Kokatsu et al.
5,819,867	A	10/1998	Matsumoto et al.	7,370,720	B2	5/2008	Kokatsu et al.
D403,026	S *	12/1998	Pasin D21/425	7,389,836	B2	6/2008	Johnson et al.
5,857,537	A	1/1999	Matsumoto et al.	7,411,366	B2	8/2008	Kang et al.
5,860,487	A	1/1999	Tanaka et al.	D579,061	S *	10/2008	Brockmeyer D21/425
5,865,267	A	2/1999	Mayer et al.	7,490,684	B2	2/2009	Seymour et al.
				7,493,979	B2	2/2009	Johnson et al.
				D594,069	S *	6/2009	Schlegel D21/425
				7,562,729	B2	7/2009	Hammerle
				7,568,714	B2	8/2009	Sasnowski et al.

(56)

References Cited

U.S. PATENT DOCUMENTS

7,581,748 B2 9/2009 Reimers
 7,584,985 B2 9/2009 You et al.
 7,597,522 B2 10/2009 Borntrager et al.
 7,604,079 B2 10/2009 Pittman
 7,607,711 B2 10/2009 Marshall
 7,641,285 B2 1/2010 Jacobs
 7,704,035 B2 4/2010 Borntrager et al.
 7,762,363 B1 7/2010 Hirschfeld
 7,770,682 B2 8/2010 Spanski
 7,779,948 B2 8/2010 Gulas
 7,845,441 B2 12/2010 Chambers
 7,886,853 B2 2/2011 Konopa
 7,926,599 B2 4/2011 Meyers
 D652,084 S * 1/2012 Herlitz D21/425
 8,120,190 B2 2/2012 Bravo
 8,167,061 B2 5/2012 Scheuerman et al.
 8,186,931 B2 5/2012 Borntrager et al.
 8,251,389 B2 8/2012 Juan
 8,276,692 B1 10/2012 Nwaeke
 8,286,739 B2 10/2012 Oliphant
 8,297,384 B2 10/2012 Wanger et al.
 8,336,654 B1 12/2012 Licon
 8,365,850 B2 2/2013 Gal et al.
 D679,338 S * 4/2013 Ewringmann D21/425
 8,453,771 B1 6/2013 Hirschfeld
 8,490,732 B2 7/2013 Suigimoto et al.
 8,511,406 B2 8/2013 Anasiewicz
 8,532,857 B2 9/2013 Hsu et al.
 D693,886 S * 11/2013 Blumenthal D21/425
 8,573,338 B2 11/2013 Gal et al.
 8,573,346 B2 11/2013 Duignan
 8,596,389 B2 12/2013 Anasiewicz
 8,616,321 B2 12/2013 Aoki et al.
 8,636,095 B2 1/2014 Ito
 8,640,805 B2 2/2014 Kuroki
 8,651,215 B2 2/2014 Ogura
 8,655,531 B2 2/2014 Saida
 8,660,728 B2 2/2014 Saida
 8,662,232 B2 3/2014 Nakamura et al.
 8,672,081 B2 3/2014 Kume et al.
 8,684,122 B2 4/2014 Maeno et al.
 8,689,921 B2 4/2014 Aoki et al.
 8,708,084 B2 4/2014 Kuroki et al.
 8,725,340 B1 5/2014 Hosaka et al.
 8,746,377 B1 6/2014 Dunbar
 8,746,710 B2 6/2014 Schejbal
 8,777,804 B2 7/2014 Takachi
 8,781,663 B2 7/2014 Watarai
 8,794,368 B2 8/2014 Gu et al.
 D713,895 S * 9/2014 Blumenthal D21/425
 8,820,459 B2 9/2014 Hashimoto et al.
 8,820,461 B2 9/2014 Shinde et al.
 8,831,810 B2 9/2014 Shoge et al.
 8,851,215 B2 10/2014 Goto
 8,886,426 B2 11/2014 Cheng
 8,892,279 B2 11/2014 Aoki et al.
 8,925,661 B2 1/2015 Minoshima et al.
 8,936,129 B2 1/2015 Honda et al.
 8,958,935 B2 2/2015 Shoge
 8,972,086 B2 3/2015 Komatsu
 9,033,347 B1 5/2015 Westrate et al.
 9,045,152 B2 6/2015 Sekine et al.
 9,073,601 B2 7/2015 Carolin
 9,079,634 B2 7/2015 Stieger
 9,085,342 B2 7/2015 Jauvtis
 D738,436 S * 9/2015 Cummings D21/425
 9,145,154 B1 9/2015 Horowitz

D748,739 S * 2/2016 Horowitz D21/425
 D782,371 S * 3/2017 Clark D12/129
 D782,580 S * 3/2017 Herlitz D21/425
 D794,133 S * 8/2017 Ostergaard D21/425
 D813,106 S * 3/2018 Hopkins D12/129
 D827,722 S * 9/2018 Sun D21/425
 D827,939 S * 9/2018 Jakubowski D30/109
 10,081,380 B2 * 9/2018 Fitzwater B62B 3/022
 D836,498 S * 12/2018 Hauser D12/129
 D840,280 S * 2/2019 Zhou D12/129
 2002/0084119 A1 7/2002 Brabetz et al.
 2002/0148658 A1 10/2002 Li
 2004/0026144 A1 2/2004 Lan
 2004/0144585 A1 7/2004 Vasser
 2004/0206563 A1 10/2004 Murata
 2004/0216933 A1 11/2004 Coale
 2004/0245745 A1 12/2004 Vasser
 2005/0230928 A1 10/2005 Raney
 2005/0275195 A1 12/2005 Matula
 2005/0279537 A1 12/2005 Nguyen
 2006/0037796 A1 2/2006 Naegeli
 2006/0070784 A1 4/2006 Tahara
 2006/0151224 A1 7/2006 Vasser
 2006/0254831 A1 11/2006 Kamei et al.
 2007/0034424 A1 2/2007 Snowden et al.
 2007/0089917 A1 4/2007 Hartley
 2007/0131462 A1 6/2007 Hemsley
 2007/0194542 A1 8/2007 Dixon
 2007/0252452 A1 11/2007 Ishimoto et al.
 2007/0269300 A1 11/2007 Menard
 2008/0041644 A1 2/2008 Tudek et al.
 2008/0073880 A1 3/2008 Bess
 2008/0197608 A1 8/2008 Dixon
 2009/0014219 A1 1/2009 Springston et al.
 2009/0218154 A1 9/2009 Yee
 2009/0266636 A1 10/2009 Naegeli
 2010/0123294 A1 5/2010 Ellington et al.
 2010/0156069 A1 6/2010 Chen
 2010/0181130 A1 7/2010 Chou
 2010/0307851 A1 12/2010 Spanski
 2011/0160945 A1 6/2011 Gale
 2011/0232985 A1 9/2011 Lee
 2012/0012409 A1 1/2012 Turner et al.
 2012/0145469 A1 6/2012 Tong
 2012/0160577 A1 6/2012 Anasiewicz
 2012/0316709 A1 12/2012 Saida
 2013/0068549 A1 3/2013 Laprade
 2013/0179016 A1 7/2013 Gale
 2014/0062351 A1 3/2014 Spelta et al.
 2014/0166383 A1 6/2014 Arimune
 2014/0166385 A1 6/2014 Arimune et al.
 2014/0196968 A1 7/2014 Bieler et al.
 2014/0216837 A1 8/2014 Hsu
 2014/0222268 A1 8/2014 Tsuchizawa
 2014/0230149 A1 8/2014 Schejbal
 2014/0246261 A1 9/2014 Sekine et al.
 2014/0251704 A1 9/2014 Sekine et al.
 2014/0264207 A1 9/2014 Sekine et al.
 2014/0358344 A1 12/2014 Katayama
 2014/0365013 A1 12/2014 Kruse
 2014/0366501 A1 12/2014 Goto
 2015/0039165 A1 2/2015 Fujita et al.
 2015/0053042 A1 2/2015 Shirakawa et al.
 2015/0136509 A1 5/2015 Tanaka et al.
 2015/0145224 A1 5/2015 Zhu
 2015/0151771 A1 6/2015 Jin
 2015/0158550 A1 6/2015 Kawakami et al.
 2015/0191215 A1 7/2015 Kawakami et al.
 2016/0347338 A1 12/2016 Vargas, II

* cited by examiner

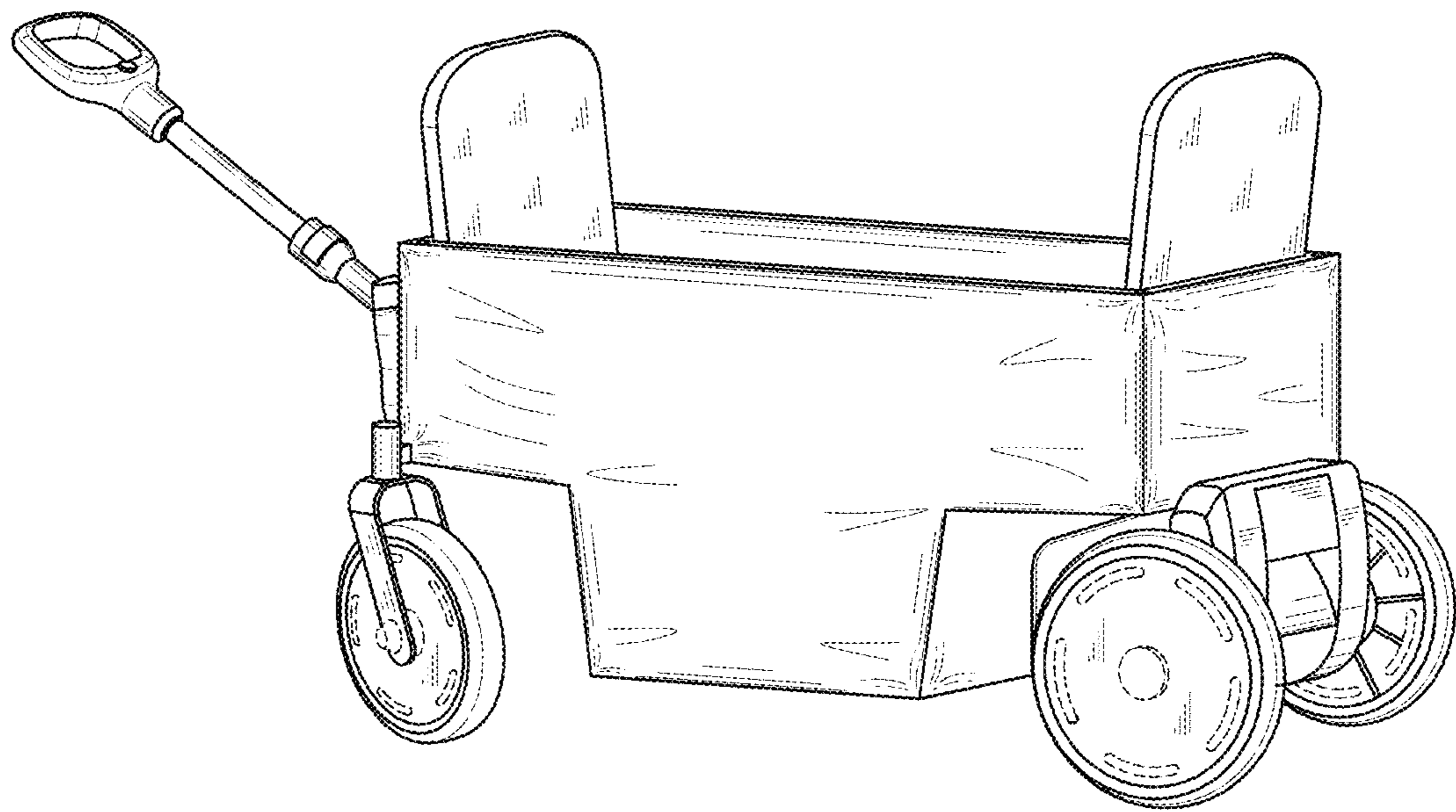


FIG. 1

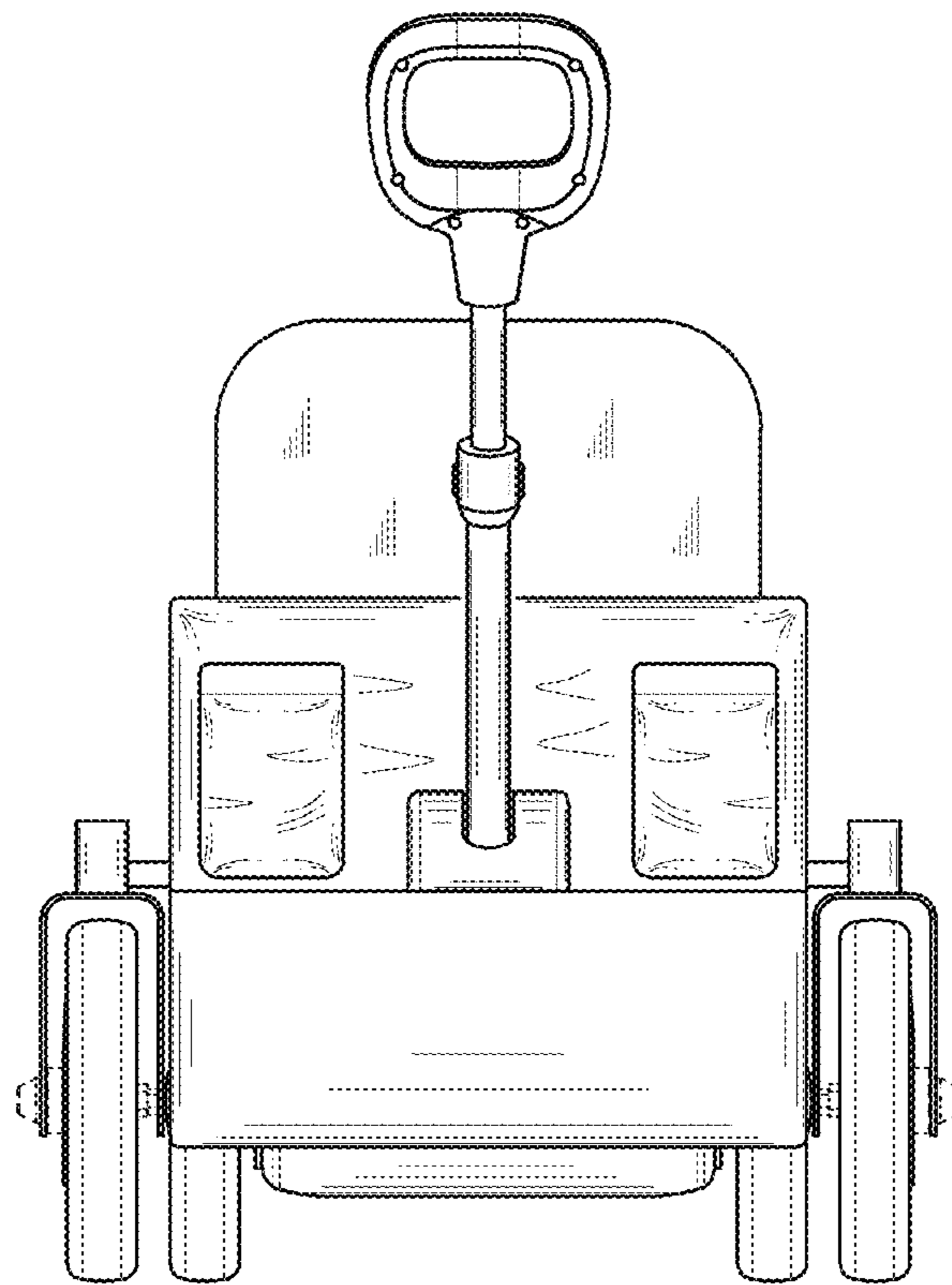


FIG. 2

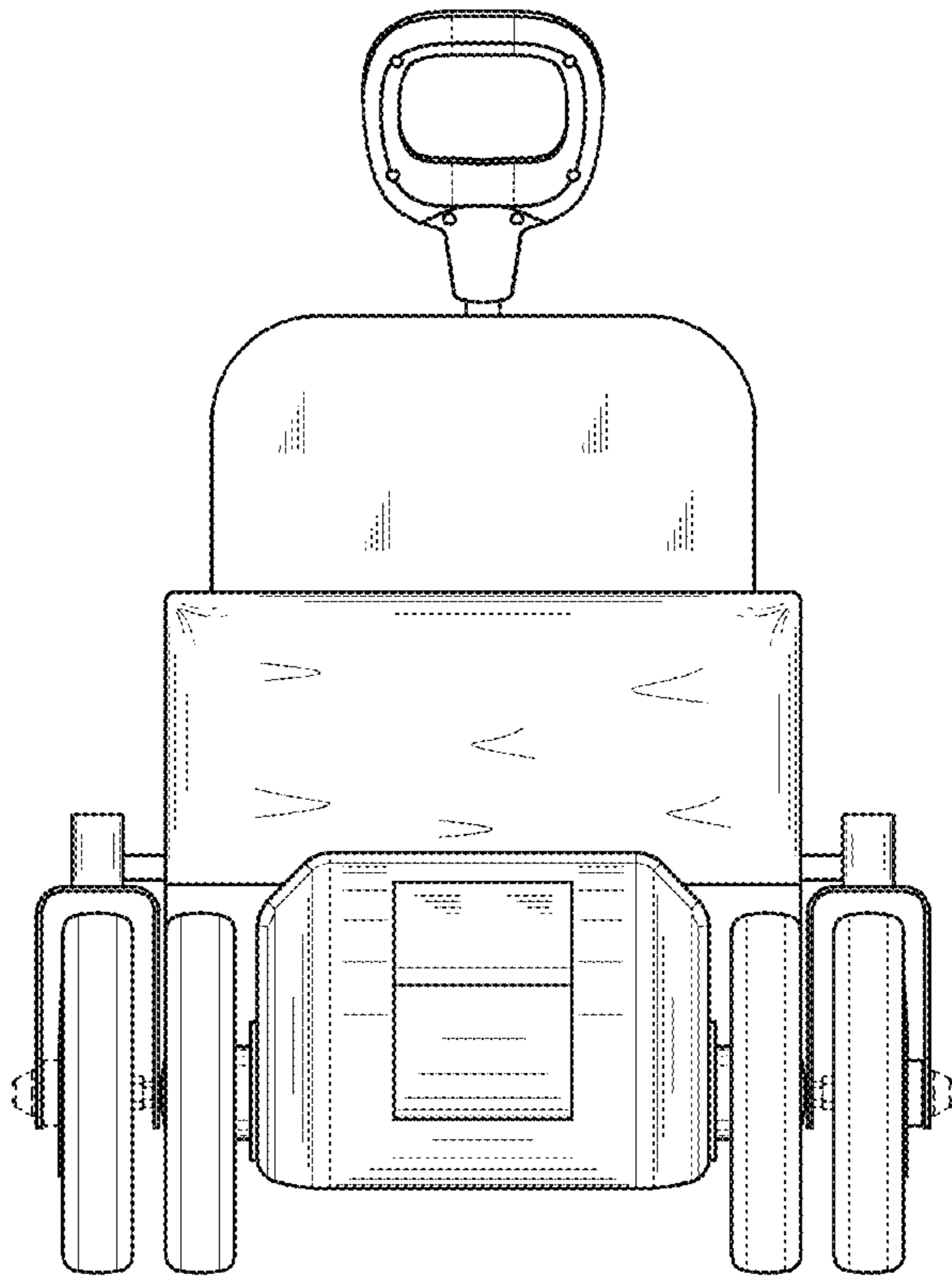


FIG. 3

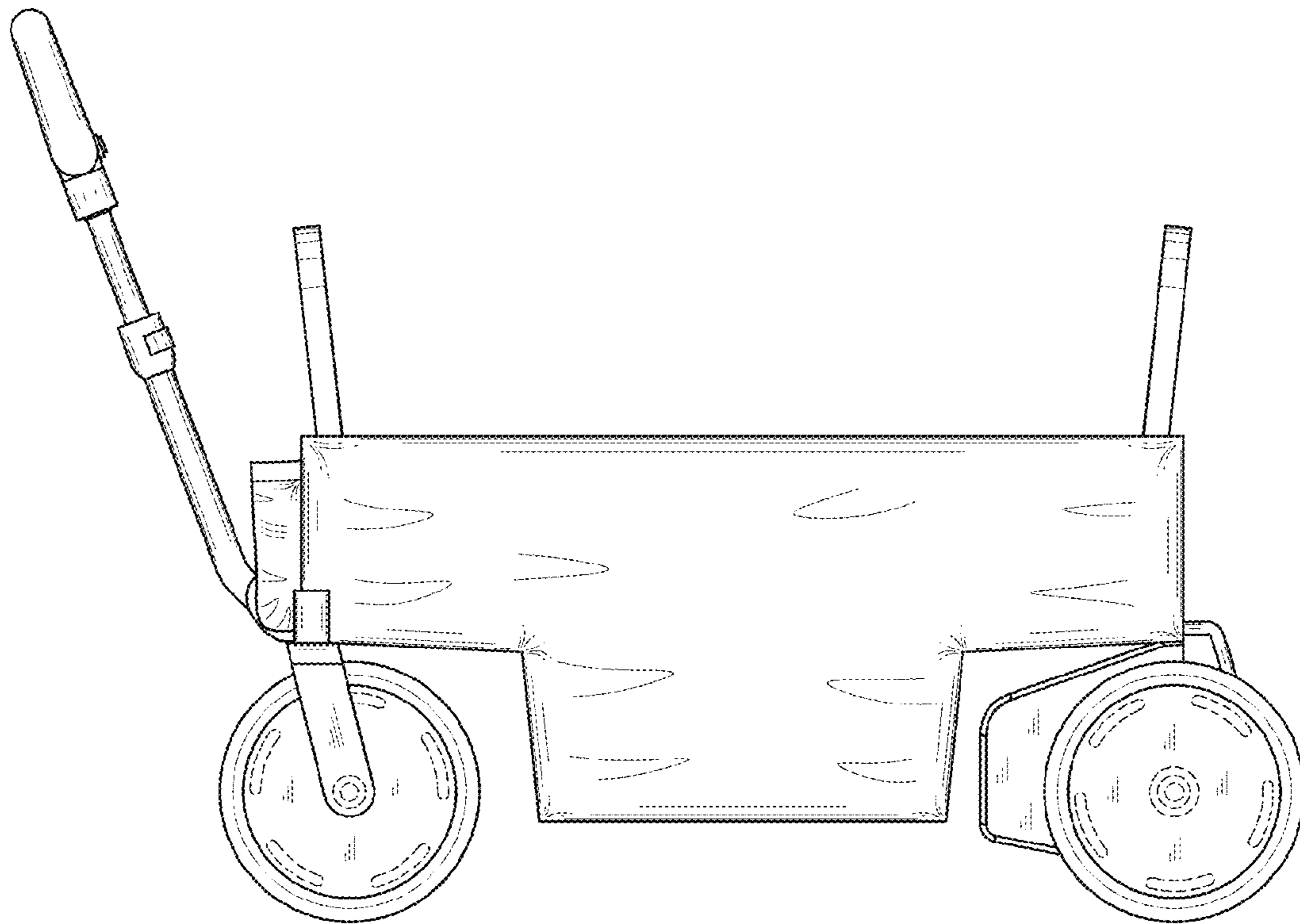


FIG. 4

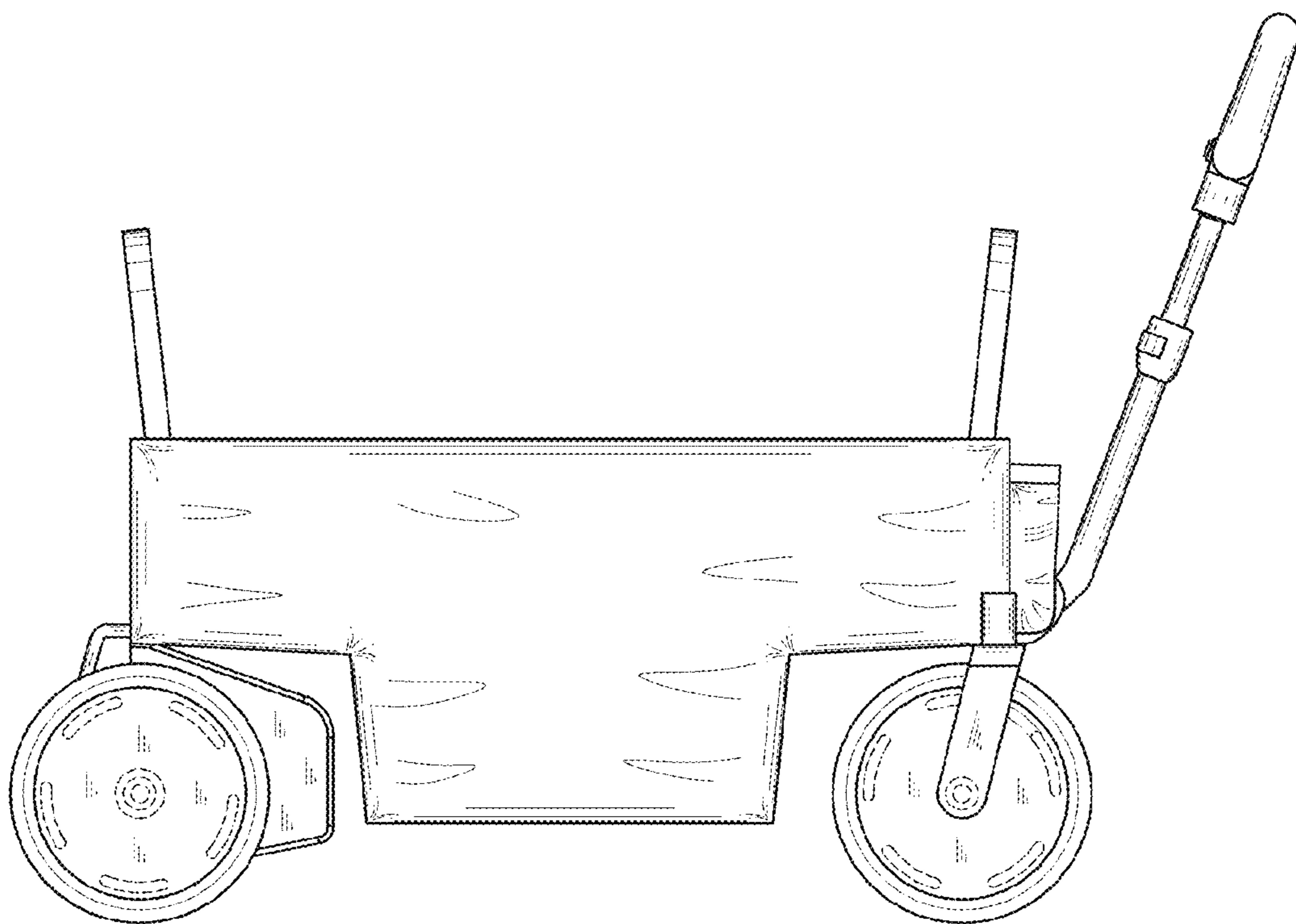


FIG. 5

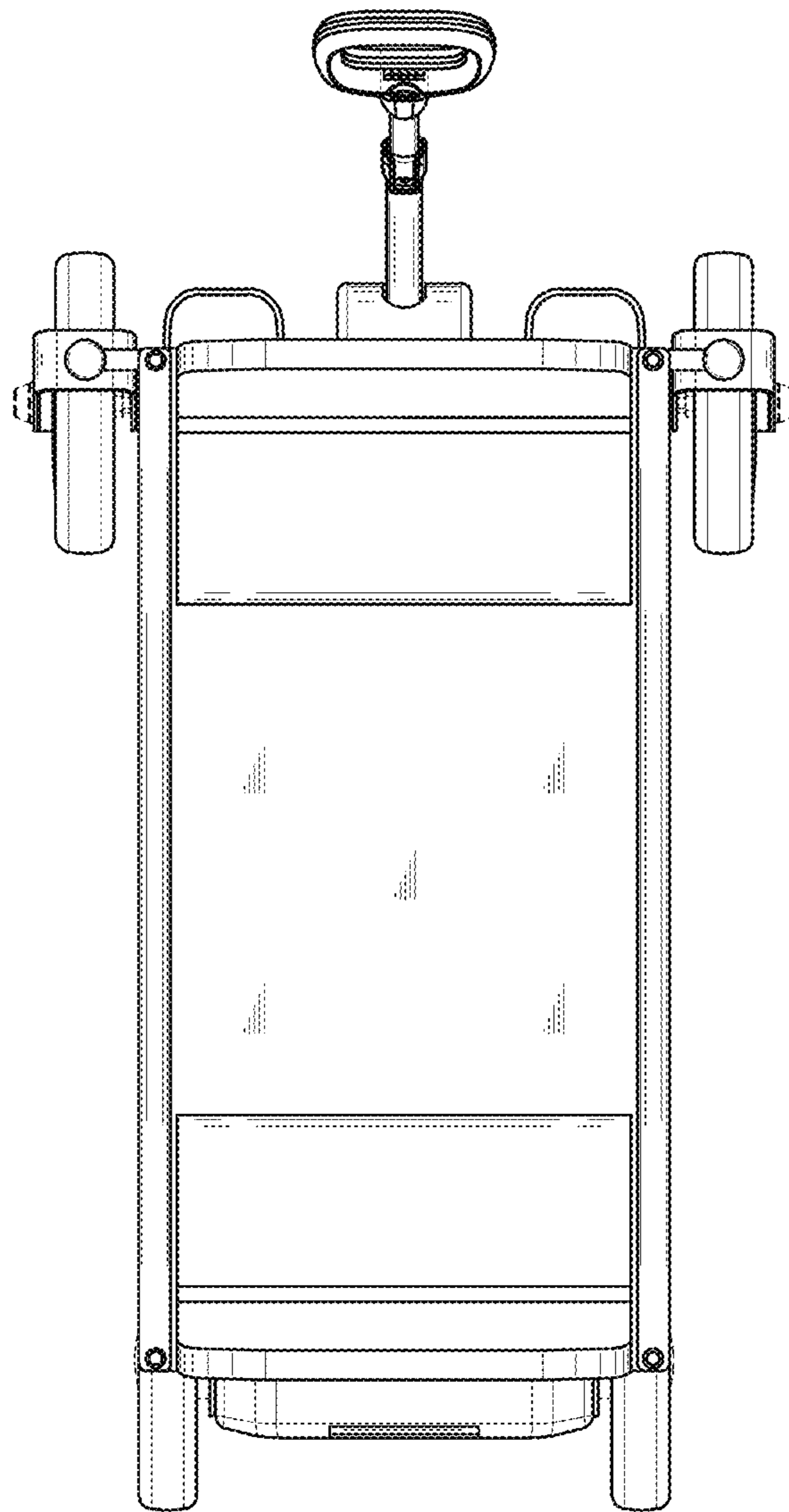


FIG. 6

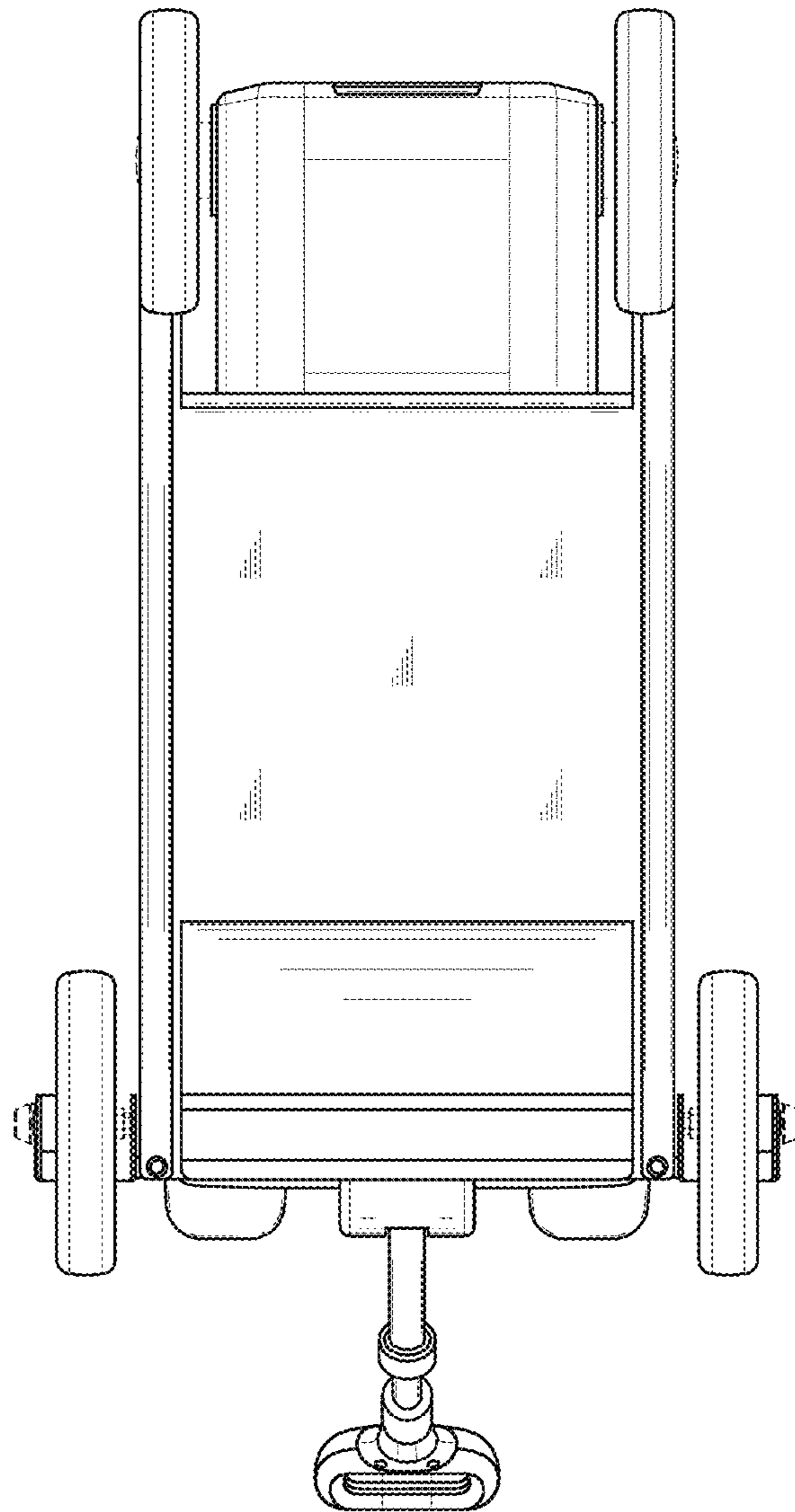


FIG. 7