

US00D866674S

(12) **United States Design Patent**
Li et al.

(10) **Patent No.:** **US D866,674 S**

(45) **Date of Patent:** **** Nov. 12, 2019**

(54) **SCOOTER**

(71) Applicants: **Guande Li**, Shengzhou (CN);
Hongliang Chen, Shengzhou (CN)

(72) Inventors: **Guande Li**, Shengzhou (CN);
Hongliang Chen, Shengzhou (CN)

(73) Assignee: **Guangzhou Ekai Electronic
Technology Co., Ltd.**, Shengzhou,
Zhejiang (CN)

(**) Term: **15 Years**

(21) Appl. No.: **29/642,831**

(22) Filed: **Apr. 2, 2018**

(51) **LOC (12) Cl.** **21-01**

(52) **U.S. Cl.**
USPC **D21/423**; D12/112

(58) **Field of Classification Search**
USPC D21/419, 421, 423, 760, 765, 771;
D12/1, 8, 107, 110, 112, 113, 114
CPC B62K 3/002; B62K 9/00; B62K 2202/00;
B60Y 2200/126
See application file for complete search history.

(56) **References Cited**

U.S. PATENT DOCUMENTS

D441,323 S * 5/2001 Cheng D12/111
D464,002 S * 10/2002 Ho D12/110

D464,379 S * 10/2002 Lin D21/423
D483,078 S * 12/2003 Jung D21/423
D571,861 S * 6/2008 On D21/423
D705,873 S * 5/2014 Grout D21/423
D726,259 S * 4/2015 Slupsky D21/423
D774,961 S * 12/2016 Allen D12/110
D819,498 S * 6/2018 Li D12/107

* cited by examiner

Primary Examiner — Cynthia M. Chin

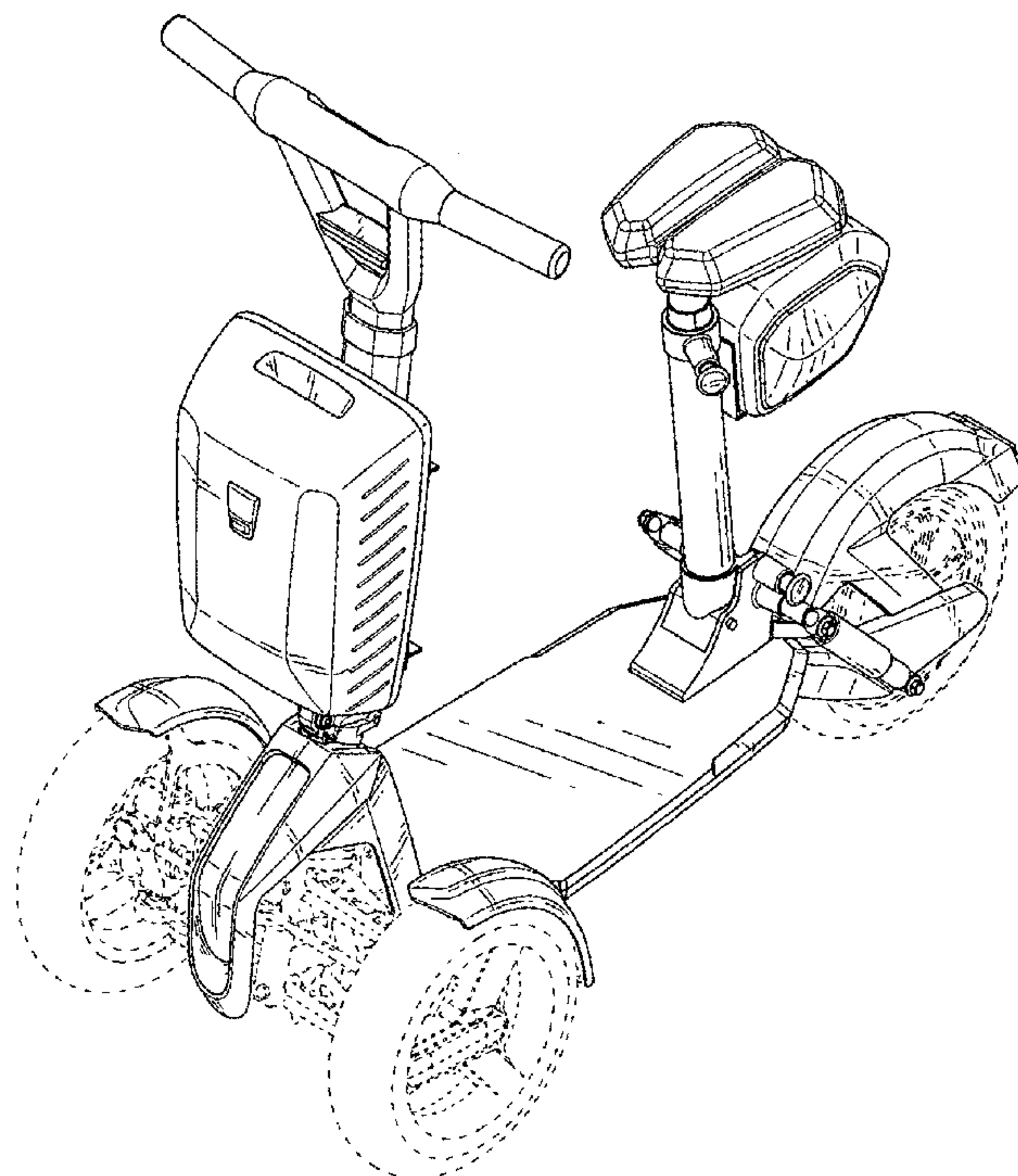
(57) **CLAIM**

The ornamental design for a scooter, as shown and described.

DESCRIPTION

FIG. 1 is a perspective view of a scooter showing my new design;
FIG. 2 is a front elevational view thereof;
FIG. 3 is a rear elevational view thereof;
FIG. 4 is a left side devotional view thereof;
FIG. 6 is a top plan view thereof;
FIG. 7 is a bottom plan view thereof; and,
FIG. 8 is another perspective view thereof.
The broken lines in the drawings illustrate portions of the scooter that form no part of the claimed design.

1 Claim, 8 Drawing Sheets



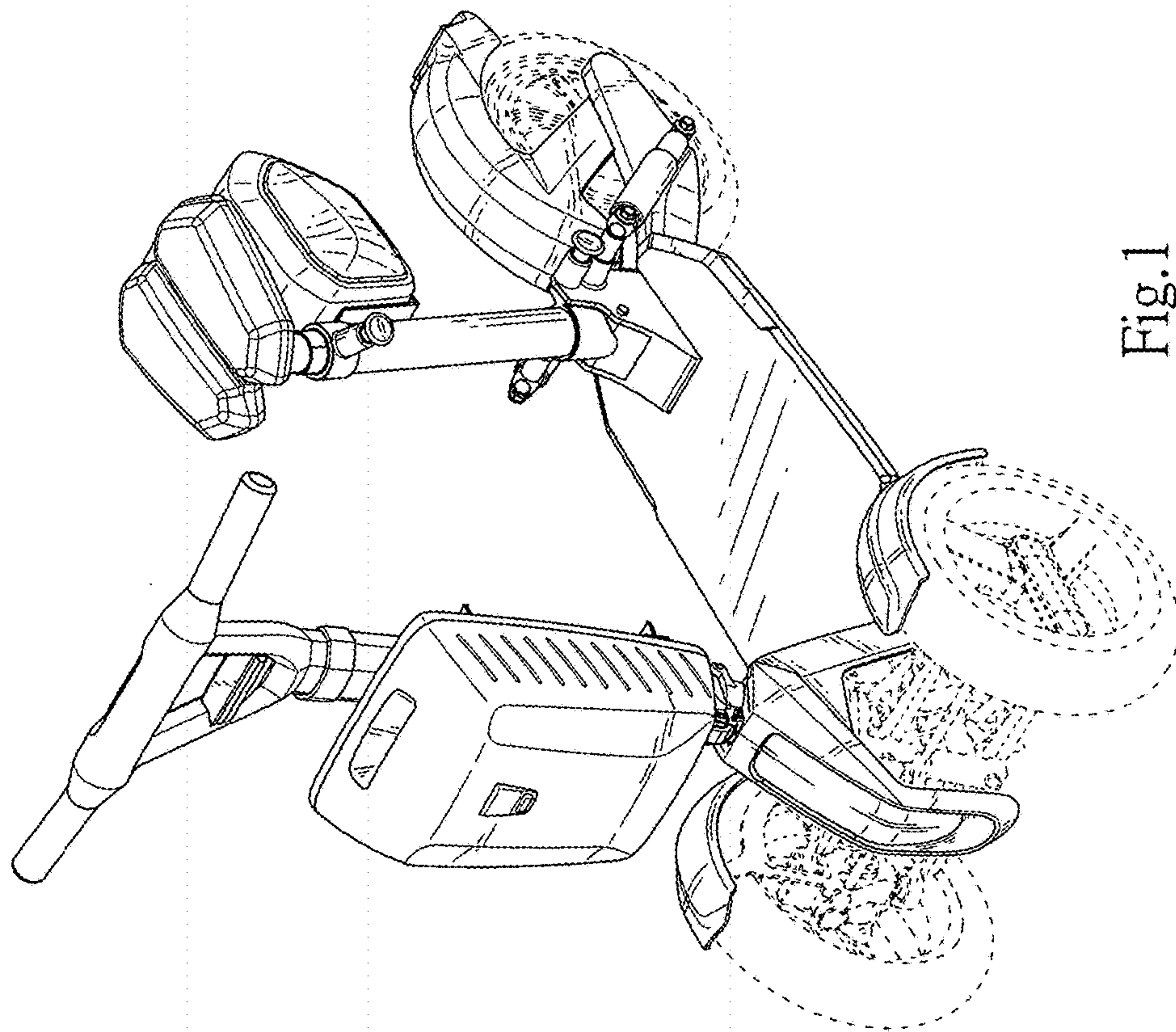


Fig.1

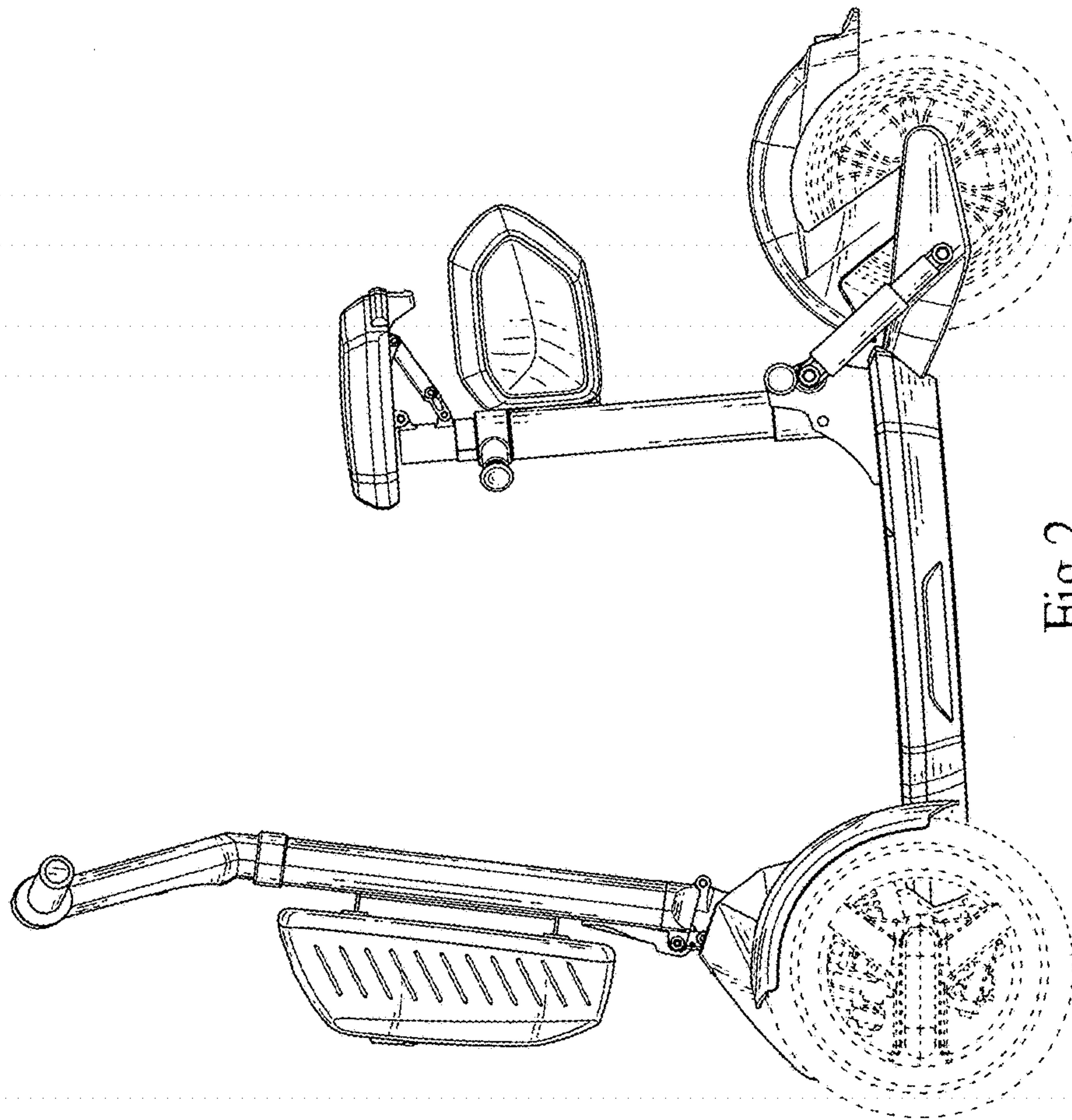


Fig.2

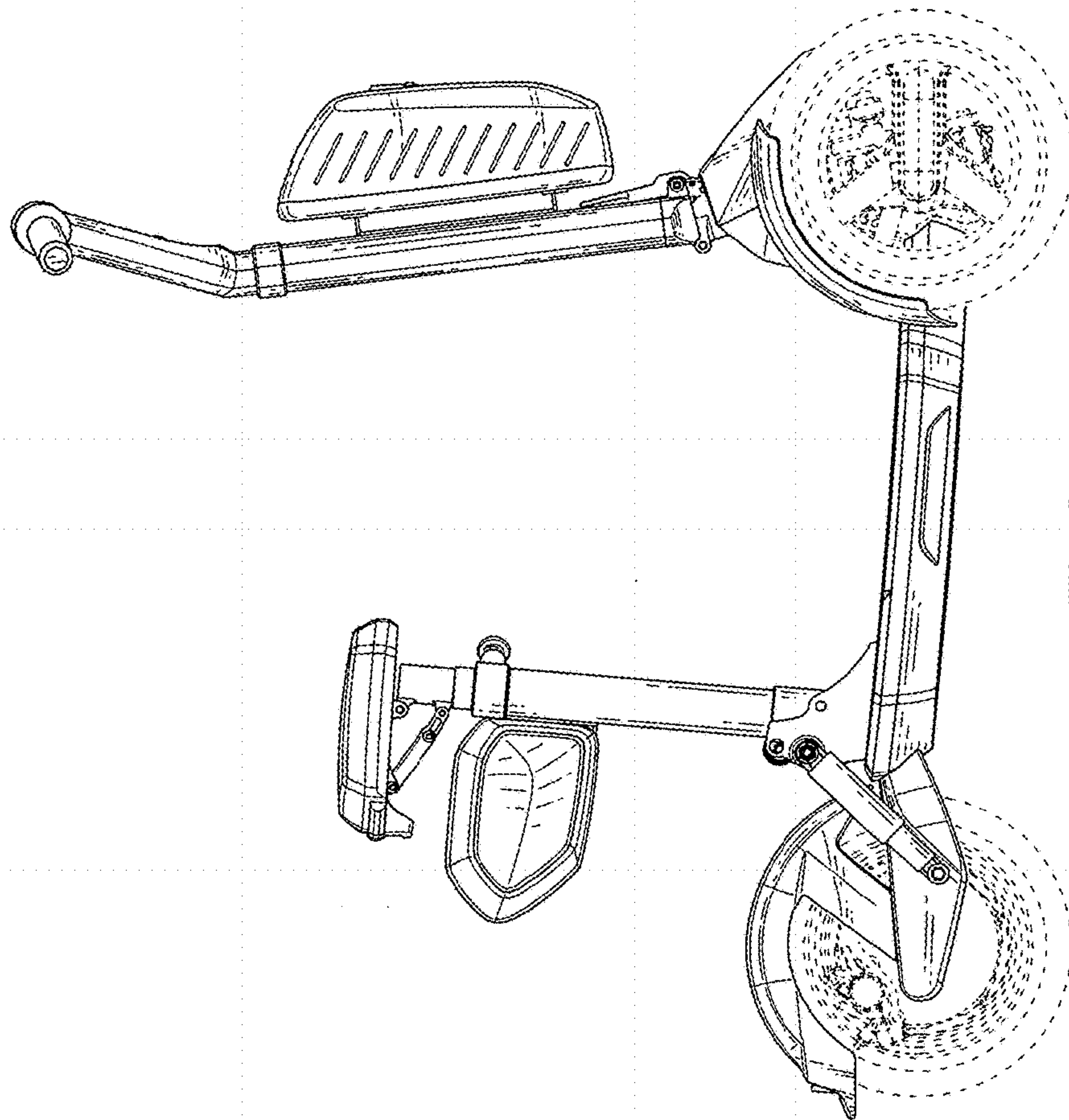


Fig.3

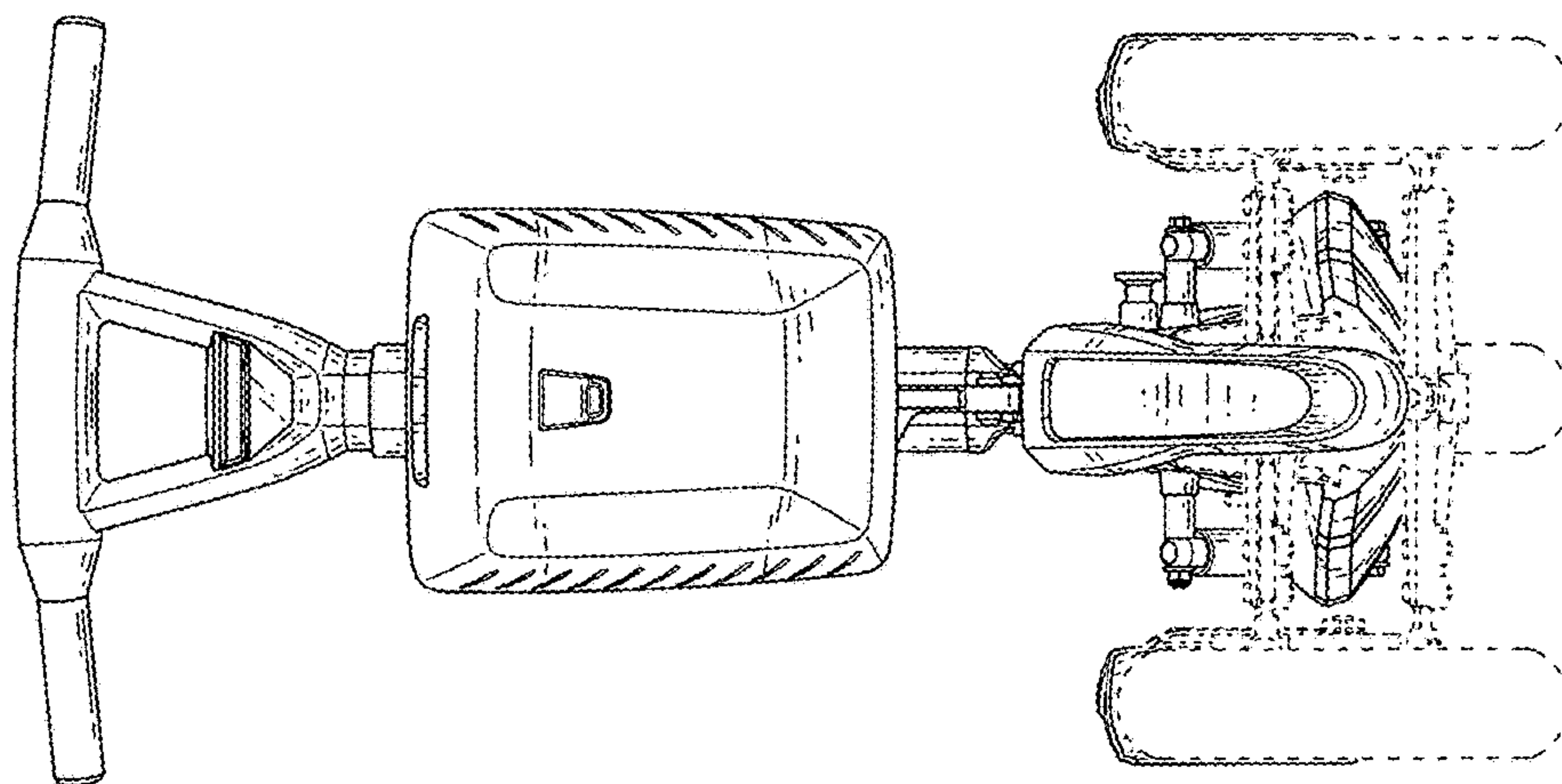


Fig.4

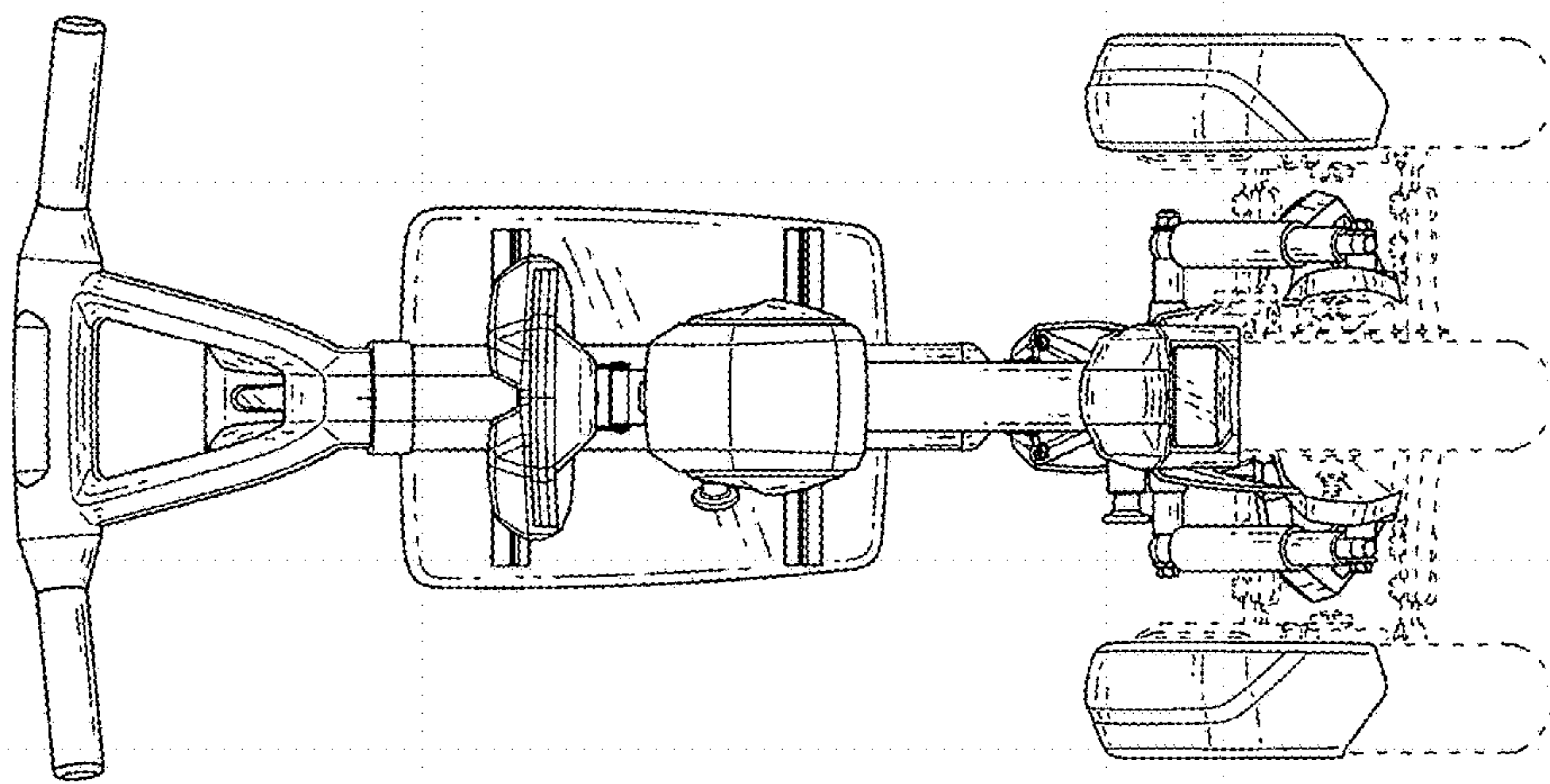


Fig. 5

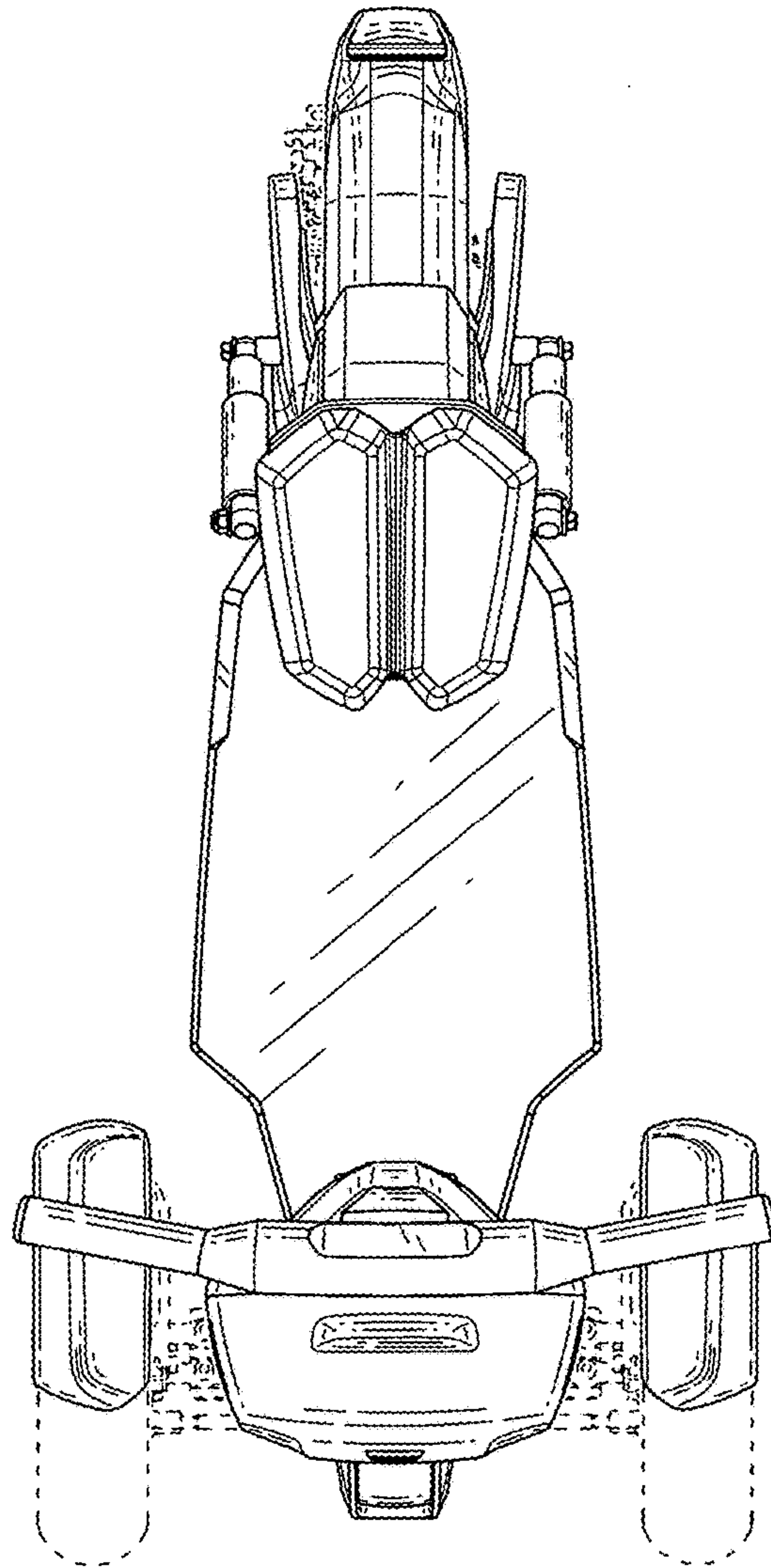


Fig.6

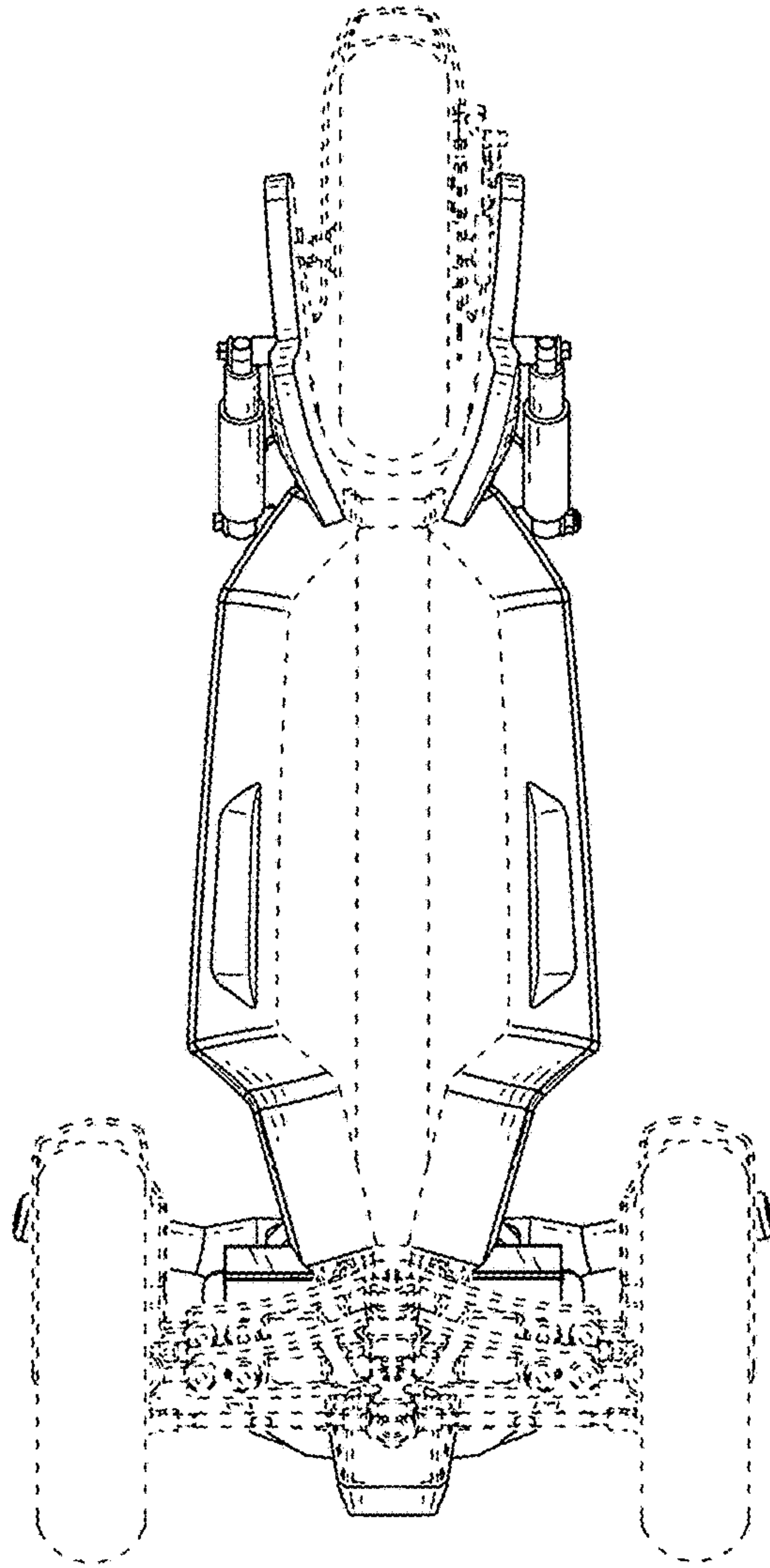


Fig. 7

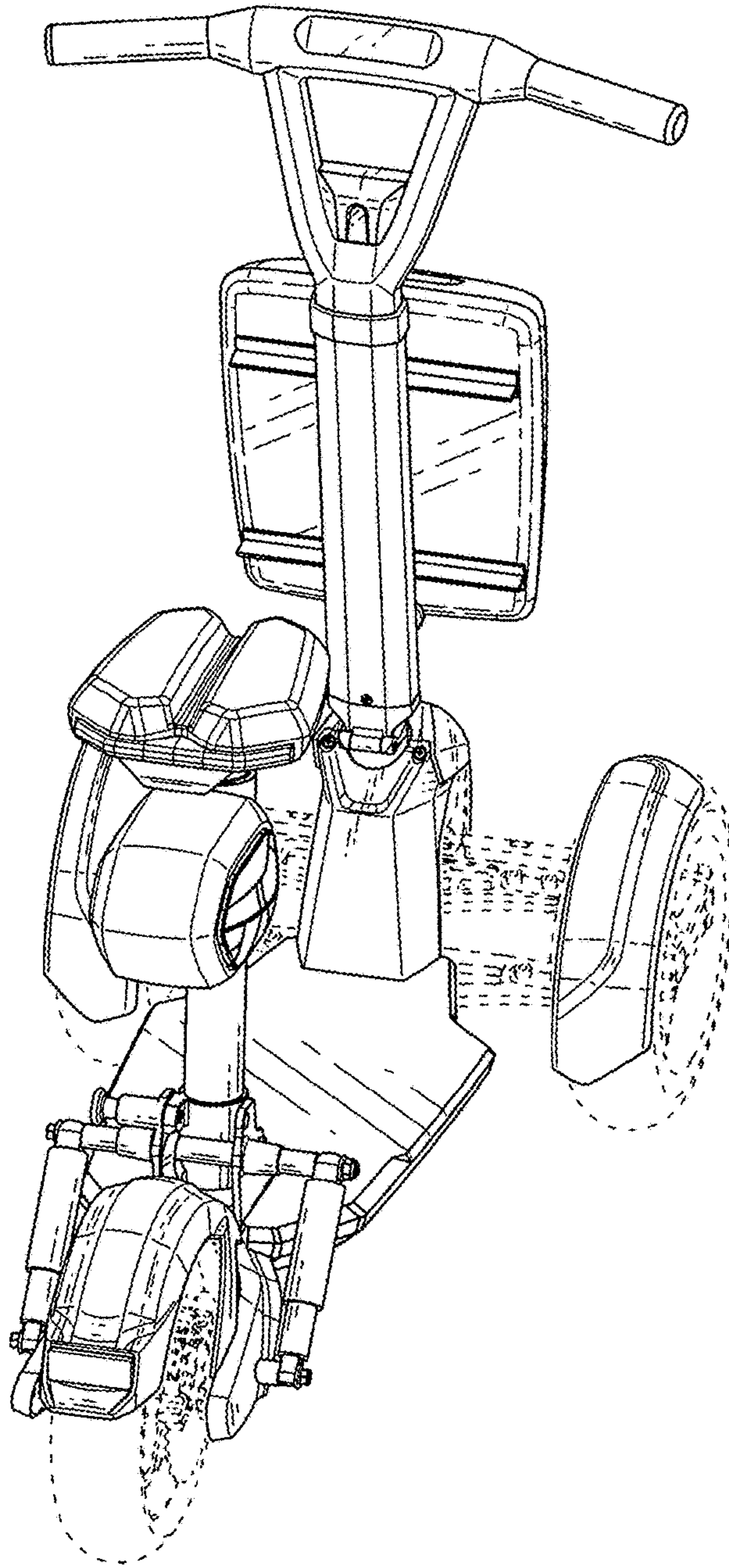


Fig.8