

US00D866673S

(12) **United States Design Patent**  
**Jin et al.**

(10) **Patent No.:** **US D866,673 S**

(45) **Date of Patent:** **\*\* Nov. 12, 2019**

(54) **TOY XYLOPHONE**

(71) Applicant: **Skip Hop, Inc.**, New York, NY (US)

(72) Inventors: **Hui Jin**, New York, NY (US);  
**Benjamin Bearsch**, Brooklyn, NY (US)

(73) Assignee: **SKIP HOP, INC.**, New York, NY (US)

(\*\*) Term: **15 Years**

(21) Appl. No.: **29/645,648**

(22) Filed: **Apr. 27, 2018**

(51) **LOC (12) Cl.** ..... **21-01**

(52) **U.S. Cl.**

USPC ..... **D21/410**; D21/592

(58) **Field of Classification Search**

USPC ..... D21/406-411, 585, 586, 592, 656, 576,  
D21/596, 604, 611, 617, 618; D17/23,  
D17/22; D30/160; 446/81, 143, 270,  
446/272, 279, 289, 290, 297, 318, 364,  
446/408, 409, 411-413, 418;  
84/402-404; 984/150, 155

CPC . A63H 5/00; A63H 3/003; A63H 3/28; A63H  
7/00; A63H 7/02; A63H 7/04; A63H  
7/06; G10D 13/00; G10D 13/08

See application file for complete search history.

(56) **References Cited**

**U.S. PATENT DOCUMENTS**

1,323,132 A \* 11/1919 Welch ..... G10D 13/085  
84/404  
2,287,138 A \* 6/1942 Sas ..... G10D 13/08  
84/410  
2,339,971 A \* 1/1944 Zimmerman ..... G10D 13/08  
84/403  
D175,525 S \* 9/1955 Zimmerman ..... D17/23  
2,727,424 A \* 12/1955 Isaacson ..... G10D 13/08  
84/405  
2,992,511 A \* 7/1961 Crawford ..... A63H 5/00  
446/408

D247,862 S \* 5/1978 Nakao ..... D21/428  
D251,325 S \* 3/1979 Appel ..... D21/409  
D256,597 S \* 8/1980 Holstine ..... D21/656  
D266,938 S \* 11/1982 Barton ..... D21/592  
D268,038 S \* 2/1983 Appel ..... D21/410  
D293,343 S \* 12/1987 Latta, III ..... D21/656  
D318,305 S \* 7/1991 Takahashi ..... D21/410  
D321,728 S \* 11/1991 Wehmeyer ..... D21/410  
D384,691 S \* 10/1997 Heuser ..... 84/404  
D557,756 S \* 12/2007 Boutin ..... D21/592

(Continued)

**FOREIGN PATENT DOCUMENTS**

CN 301877921 \* 4/2012  
CN 303102566 \* 2/2015

(Continued)

*Primary Examiner* — Catherine A Tuttle

(74) *Attorney, Agent, or Firm* — Stephen J. Weyer, Esq.;  
James R. Hayne, Esq.; Stites & Harbison, PLLC

(57) **CLAIM**

The ornamental design for a toy xylophone, as shown and described.

**DESCRIPTION**

FIG. 1 is a top, front and left side perspective view of the toy xylophone of our design.

FIG. 2 is a bottom, front and left side perspective view of the toy xylophone thereof.

FIG. 3 is a front elevation view thereof.

FIG. 4 is a rear elevation view thereof.

FIG. 5 is a left side view thereof.

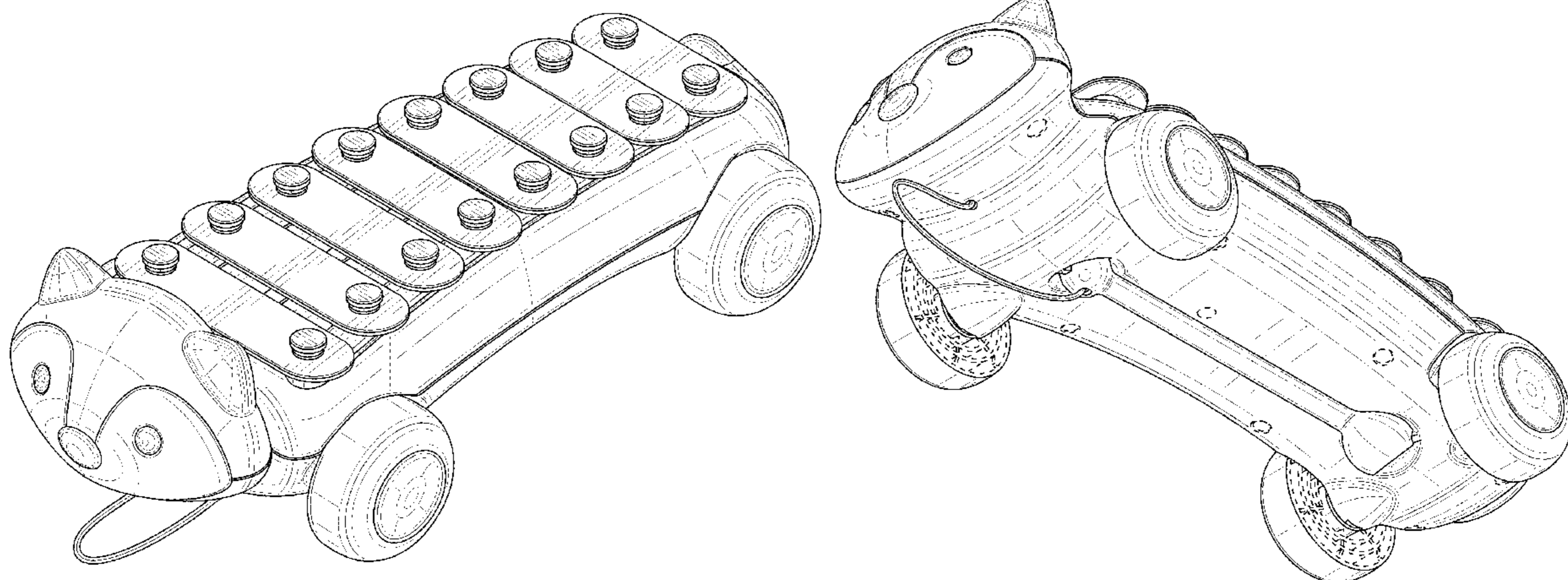
FIG. 6 is a right side view thereof.

FIG. 7 is a top plan view thereof; and,

FIG. 8 is a bottom plan view thereof.

The dash-dash broken lines are included for the purpose of illustrating the portions of the toy xylophone that form no part of the claimed design.

**1 Claim, 8 Drawing Sheets**



(56)

**References Cited**

U.S. PATENT DOCUMENTS

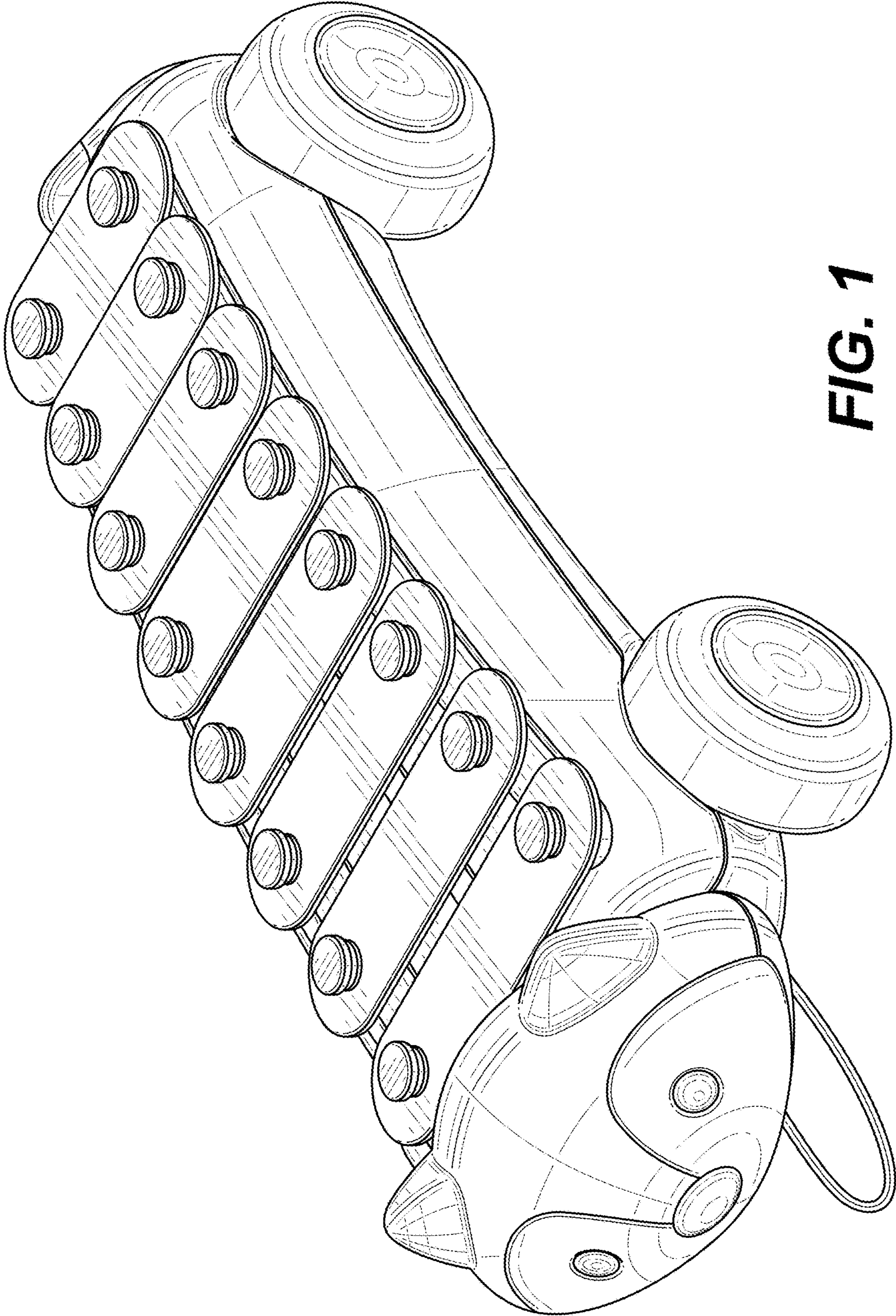
D604,372 S \* 11/2009 Kelly ..... D21/576  
D610,634 S \* 2/2010 Richardson ..... D21/576  
D650,538 S \* 12/2011 Anderson ..... D21/611  
D711,971 S \* 8/2014 Child ..... D21/428  
2014/0256216 A1\* 9/2014 Gordinho ..... A63H 3/02  
446/369  
2017/0151504 A1\* 6/2017 Villano ..... A63H 3/003

FOREIGN PATENT DOCUMENTS

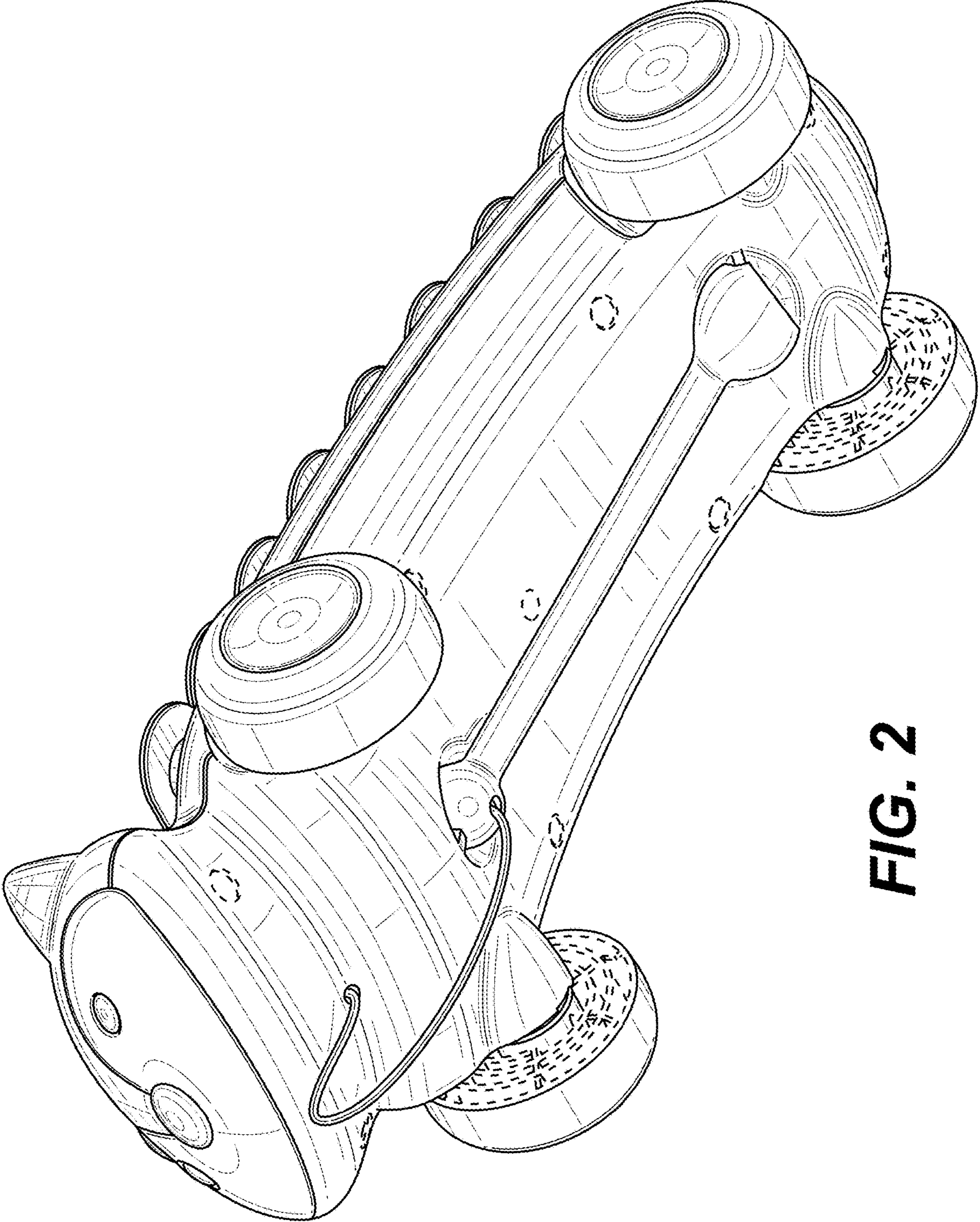
CN 303416391 \* 10/2015  
CN 303613298 \* 3/2016  
CN 303777405 \* 8/2016  
CN 304118588 \* 4/2017  
CN 304284363 \* 9/2017  
CN 304450708 \* 1/2018  
GB 191405778 A \* 12/1914 ..... G01D 13/08  
JP D1408461 \* 2/2011

\* cited by examiner



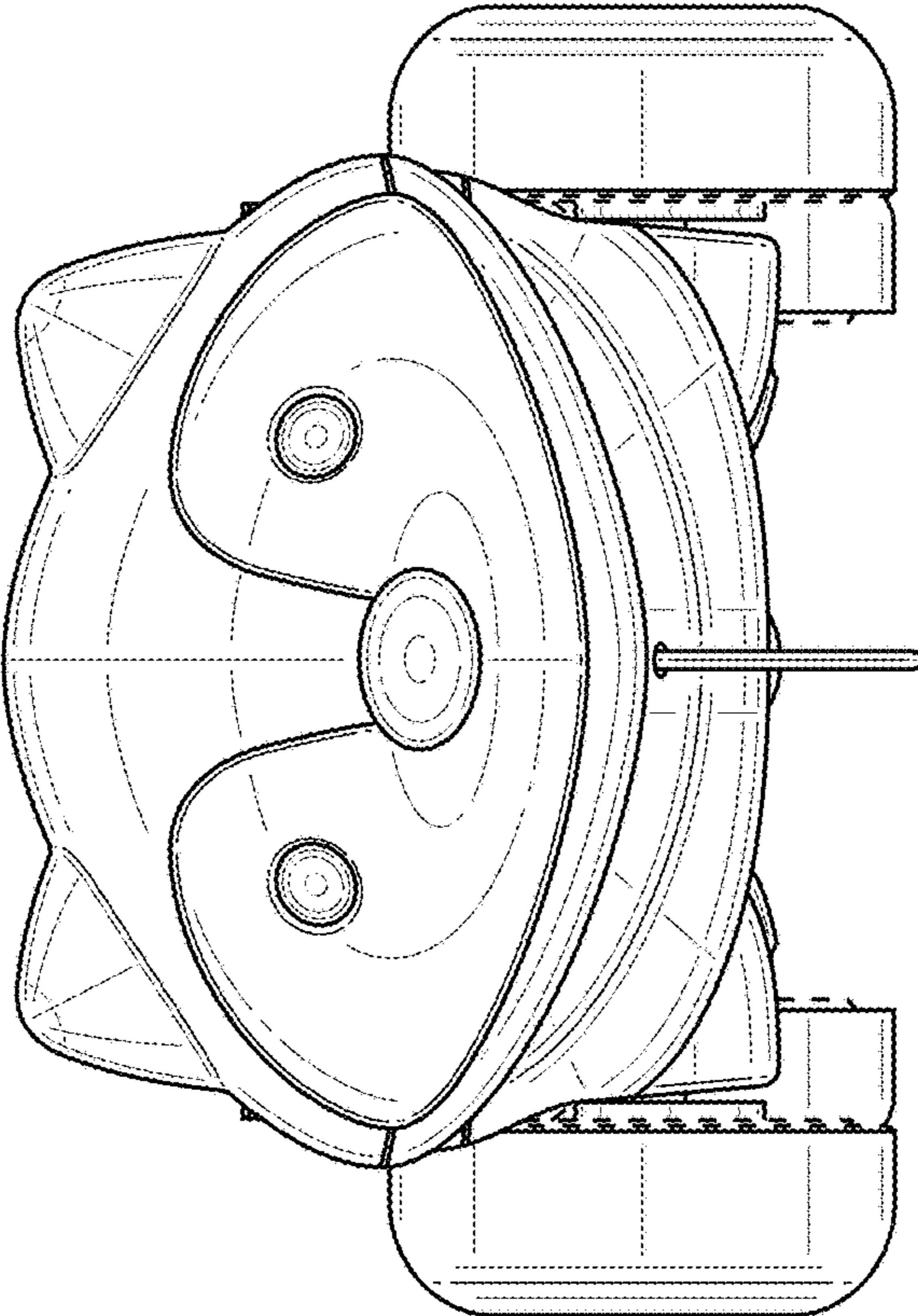


**FIG. 1**

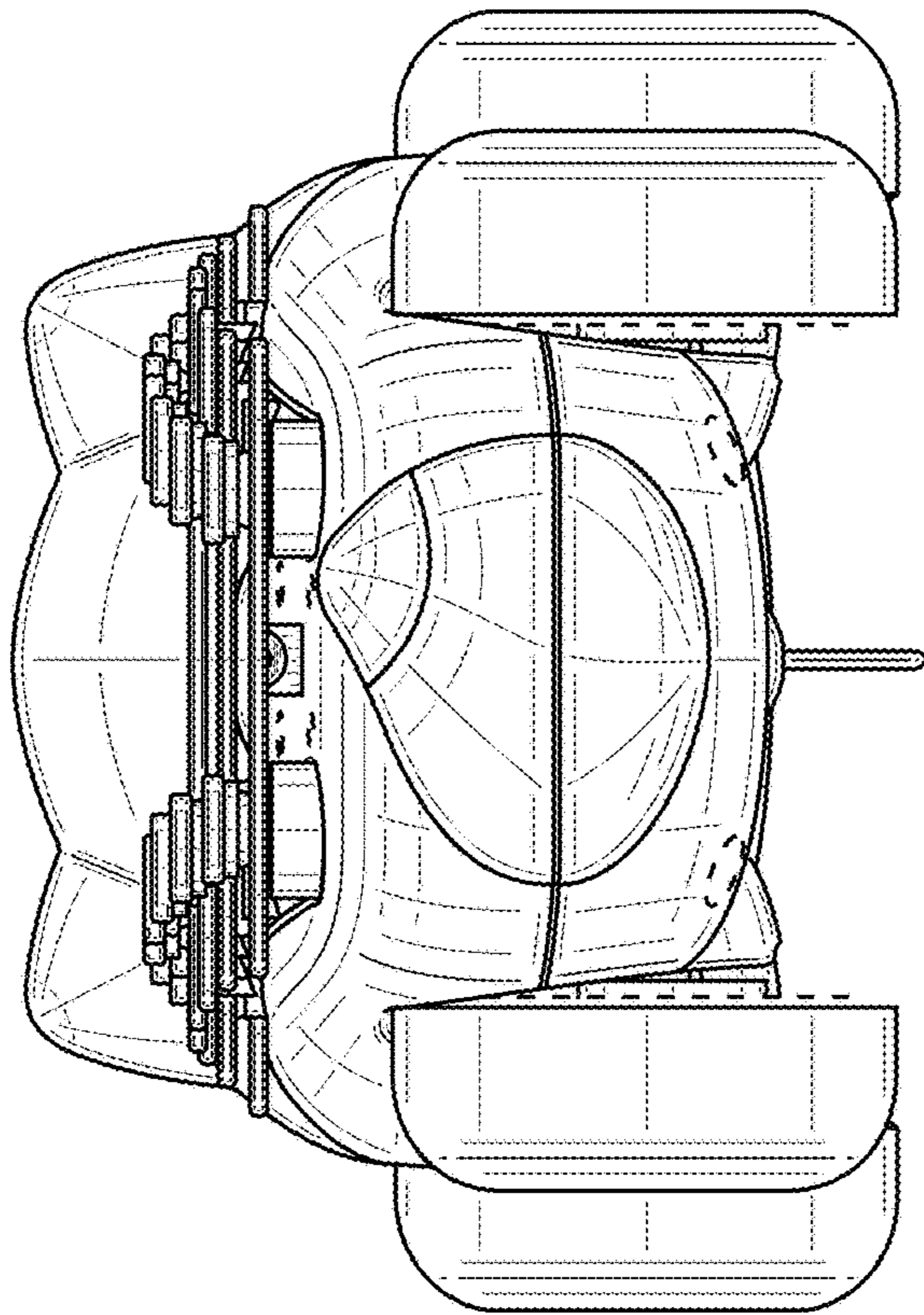


**FIG. 2**

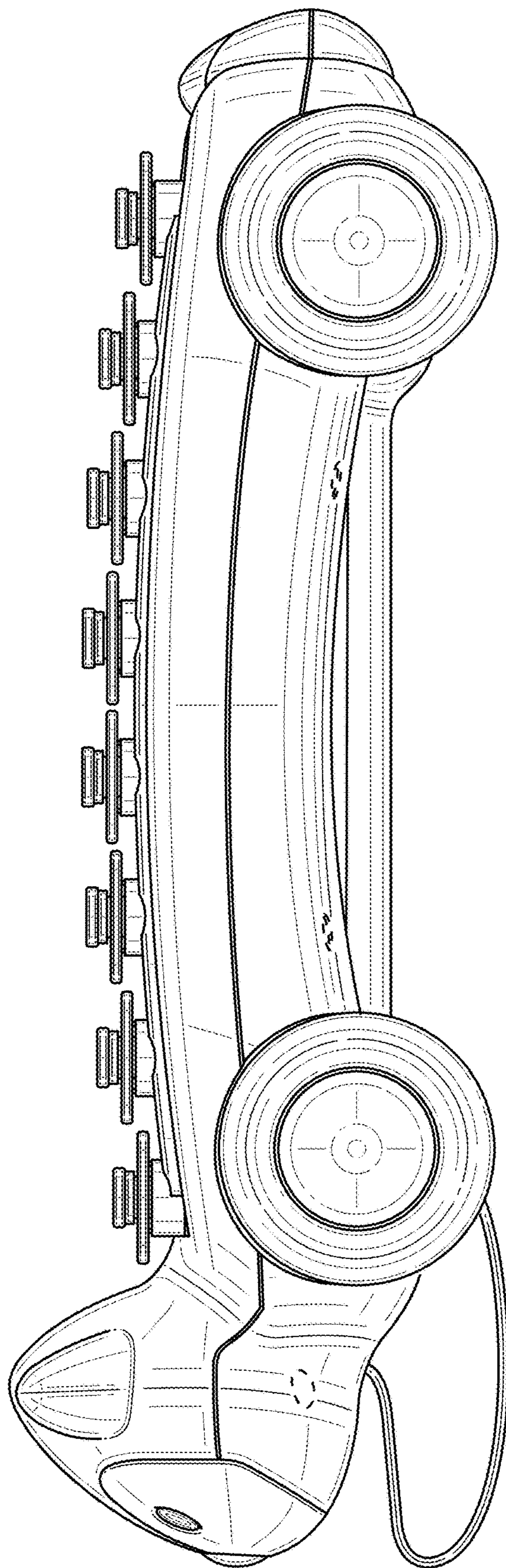




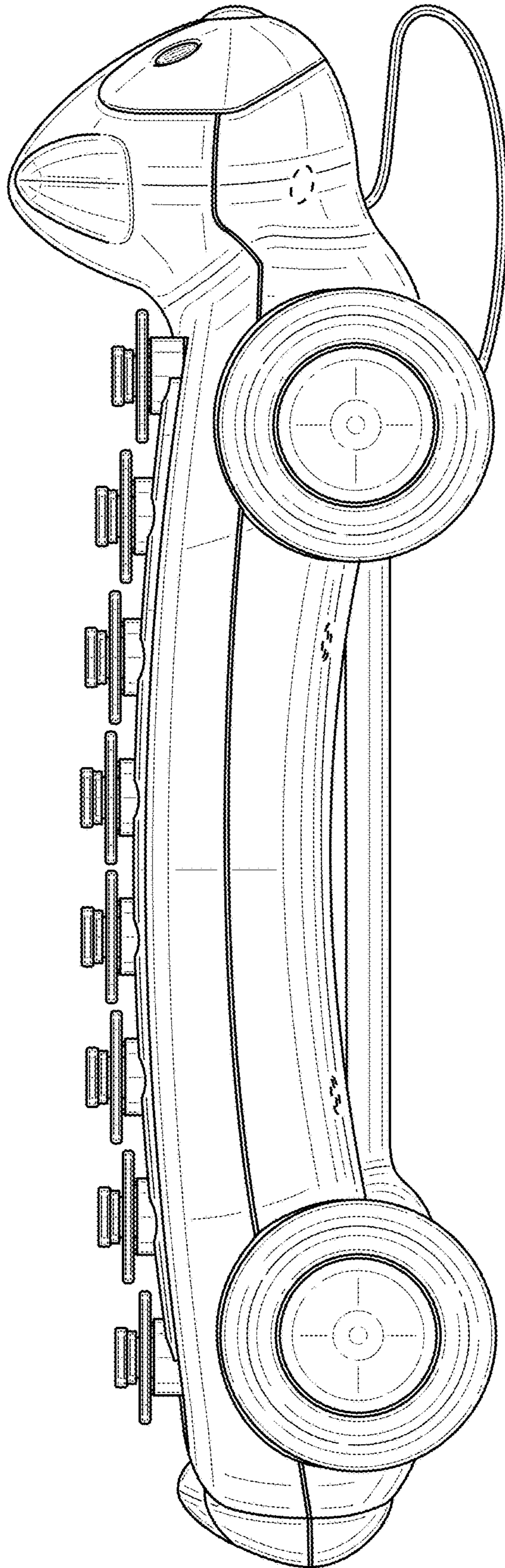
**FIG. 3**



**FIG. 4**

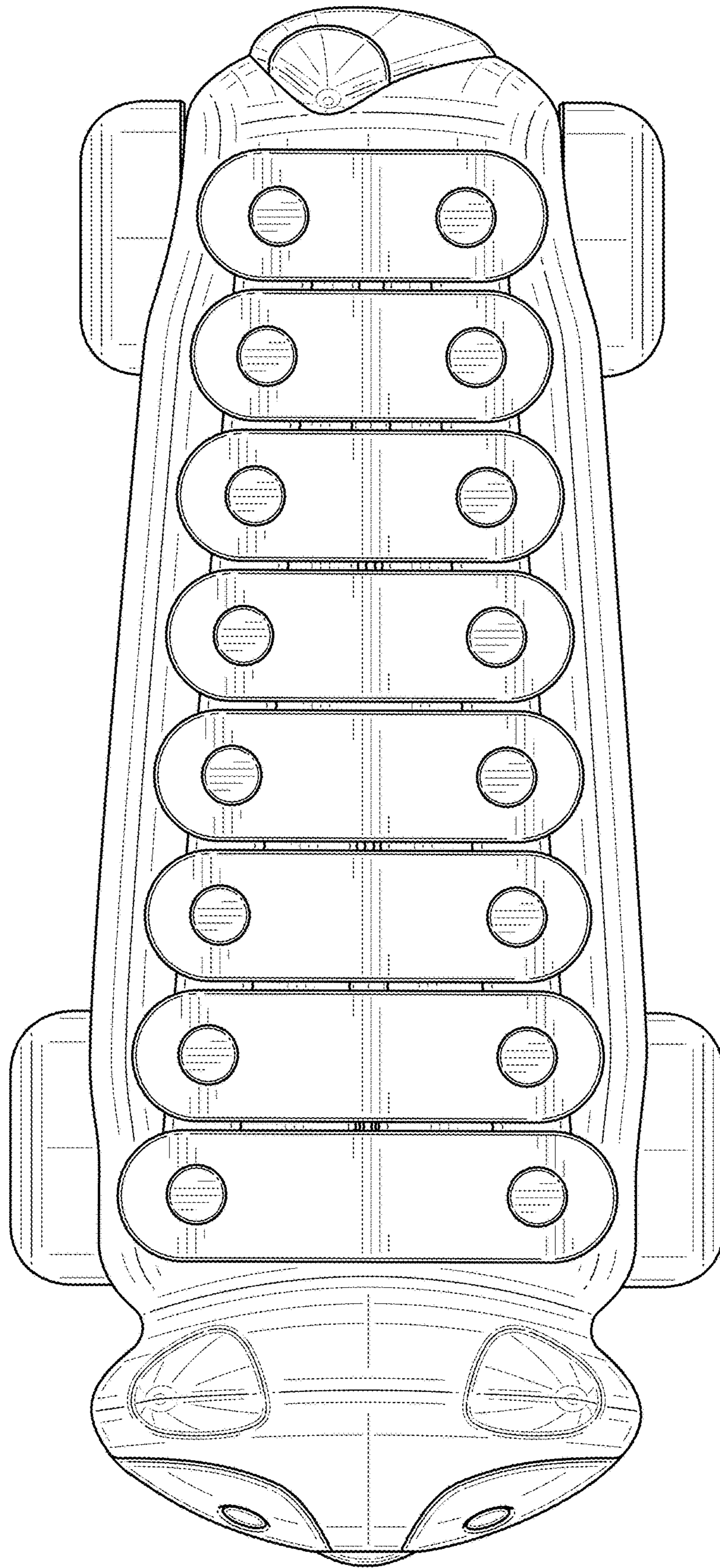


**FIG. 5**

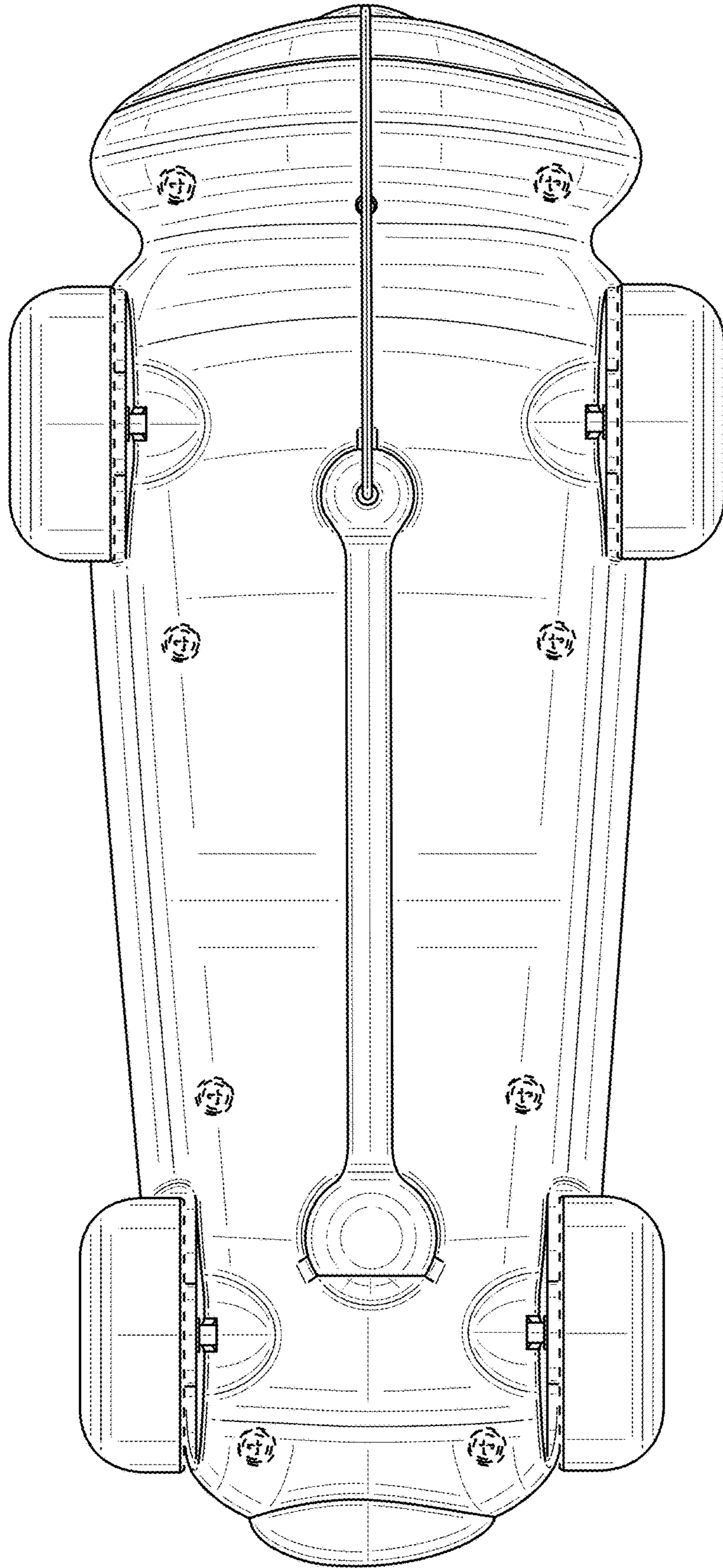


**FIG. 6**





**FIG. 7**



**FIG. 8**