



US00D866670S

(12) **United States Design Patent**
Daniels

(10) **Patent No.:** **US D866,670 S**

(45) **Date of Patent:** **** Nov. 12, 2019**

(54) **DOUBLE UNIT MOUNT**

(71) Applicant: **Clifford J Daniels**, Germantown, MD
(US)

(72) Inventor: **Clifford J Daniels**, Germantown, MD
(US)

(**) Term: **15 Years**

(21) Appl. No.: **29/640,305**

(22) Filed: **Mar. 13, 2018**

(51) **LOC (12) Cl.** **21-01**

(52) **U.S. Cl.**
USPC **D21/385**

(58) **Field of Classification Search**
USPC D10/21, 22, 104.1, 106.2, 106.5, 106.9,
D10/106.91, 121, 122, 123, 126, 132;
D21/385
CPC .. A63F 2003/00359; A63F 2003/00375; A63F
2003/00388; A63F 2003/00432; A63F
2003/0047; A63F 2003/00482
See application file for complete search history.

(56) **References Cited**

U.S. PATENT DOCUMENTS

- 3,023,006 A * 2/1962 Kovacs A63F 3/00574
273/282.1
- 3,514,110 A * 5/1970 Thomander A63F 3/00075
273/265
- 5,048,840 A * 9/1991 Johnson, Jr. A63F 3/00214
273/241
- 5,662,331 A * 9/1997 Cucci A63B 67/06
206/315.1
- D404,719 S * 1/1999 Suzuki D13/171
- D541,879 S * 5/2007 Klamer D21/371
- D550,297 S * 9/2007 Luciano, Jr. D13/171
- D550,299 S * 9/2007 Luciano, Jr. D13/171

- D563,483 S * 3/2008 Klamer D21/371
- D716,877 S * 11/2014 Raymond A63F 3/00075
D21/385
- D814,575 S * 4/2018 Colvin A63H 33/18
D21/385

(Continued)

OTHER PUBLICATIONS

Cliff Daniels, Tabletop or Board Game, Jul. 13, 2018, Blue Hexagon Games [retrieved on Jun. 9, 2019]. Retrieved from the internet: <URL: <http://bluhexagongames.com/2018/07/13/board-game/>> (Year: 2018).*

Primary Examiner — George D. Kirschbaum
Assistant Examiner — Joseph J Kukella

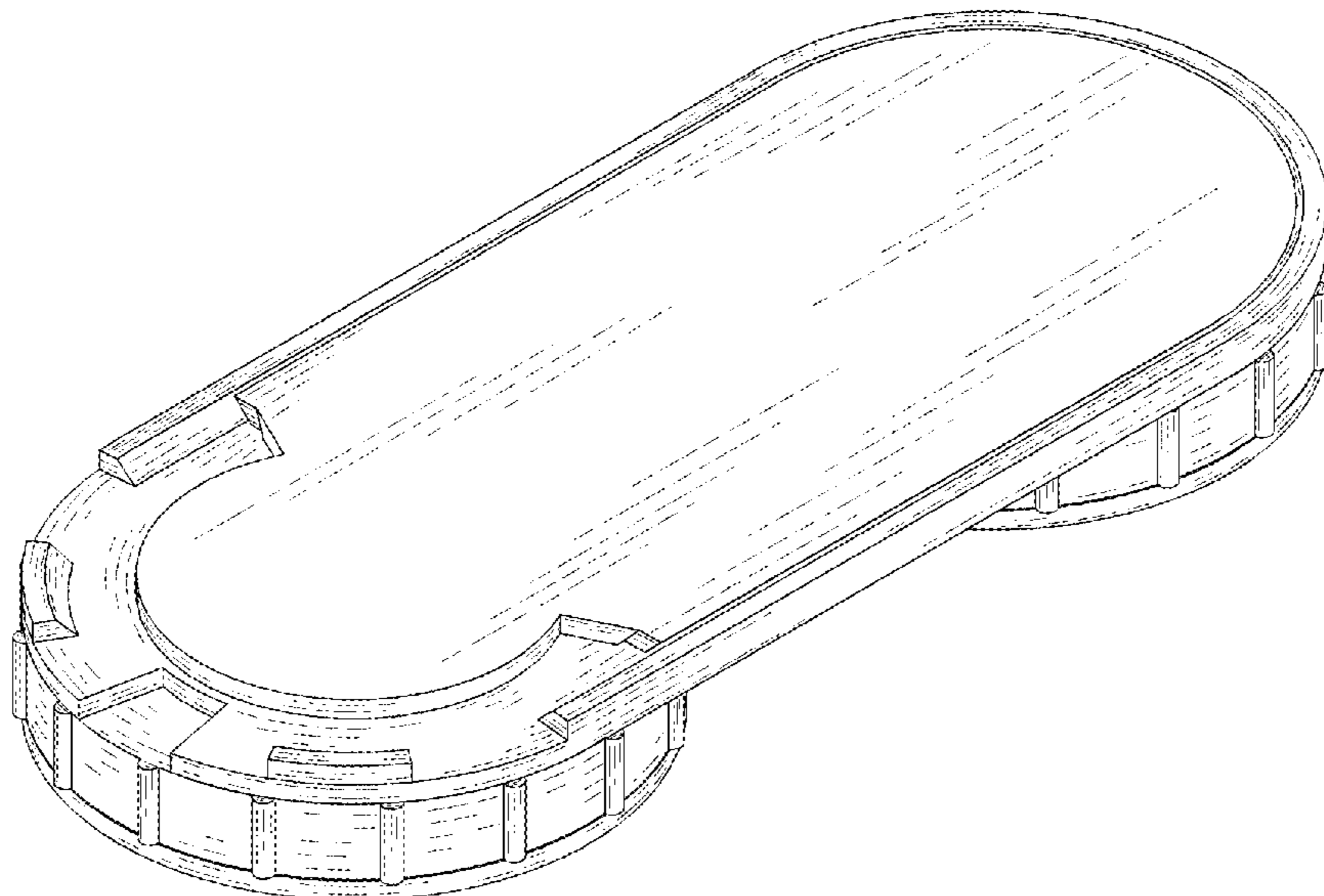
(57) **CLAIM**

The ornamental design for a double unit mount, as shown and described.

DESCRIPTION

FIG. 1 is a top perspective view of a double unit mount showing my new design;
FIG. 2 is a bottom perspective view thereof;
FIG. 3 is a top-exploded perspective view thereof;
FIG. 4 is a bottom-exploded perspective view thereof;
FIG. 5 is a front-exploded perspective view thereof, showing the plane upon which a cross-sectional view is taken and shown in FIG. 6;
FIG. 6 is a vertical cross-sectional view thereof taken along line 6-6 of FIG. 5;
FIG. 7 is a front view thereof;
FIG. 8 is a back view thereof;
FIG. 9 is a top view thereof;
FIG. 10 is a bottom view thereof;
FIG. 11 is a left view thereof; and,
FIG. 12 is a right view thereof.
The broken lines showing of recessions in FIG. 2, FIGS. 4-6, and FIG. 10 and the broken lines showing of protrusions in FIGS. 3-6 are included for the purpose of showing environmental structure and forms no part of the claimed design.

1 Claim, 12 Drawing Sheets



(56)

References Cited

U.S. PATENT DOCUMENTS

D846,651 S * 4/2019 Colvin A63F 7/0017
D21/385
D847,906 S * 5/2019 Colvin A63F 3/00214
D21/385
2014/0084544 A1* 3/2014 Nakayama A63H 33/18
273/317
2015/0137452 A1* 5/2015 Dahl A63F 7/0017
273/342

* cited by examiner

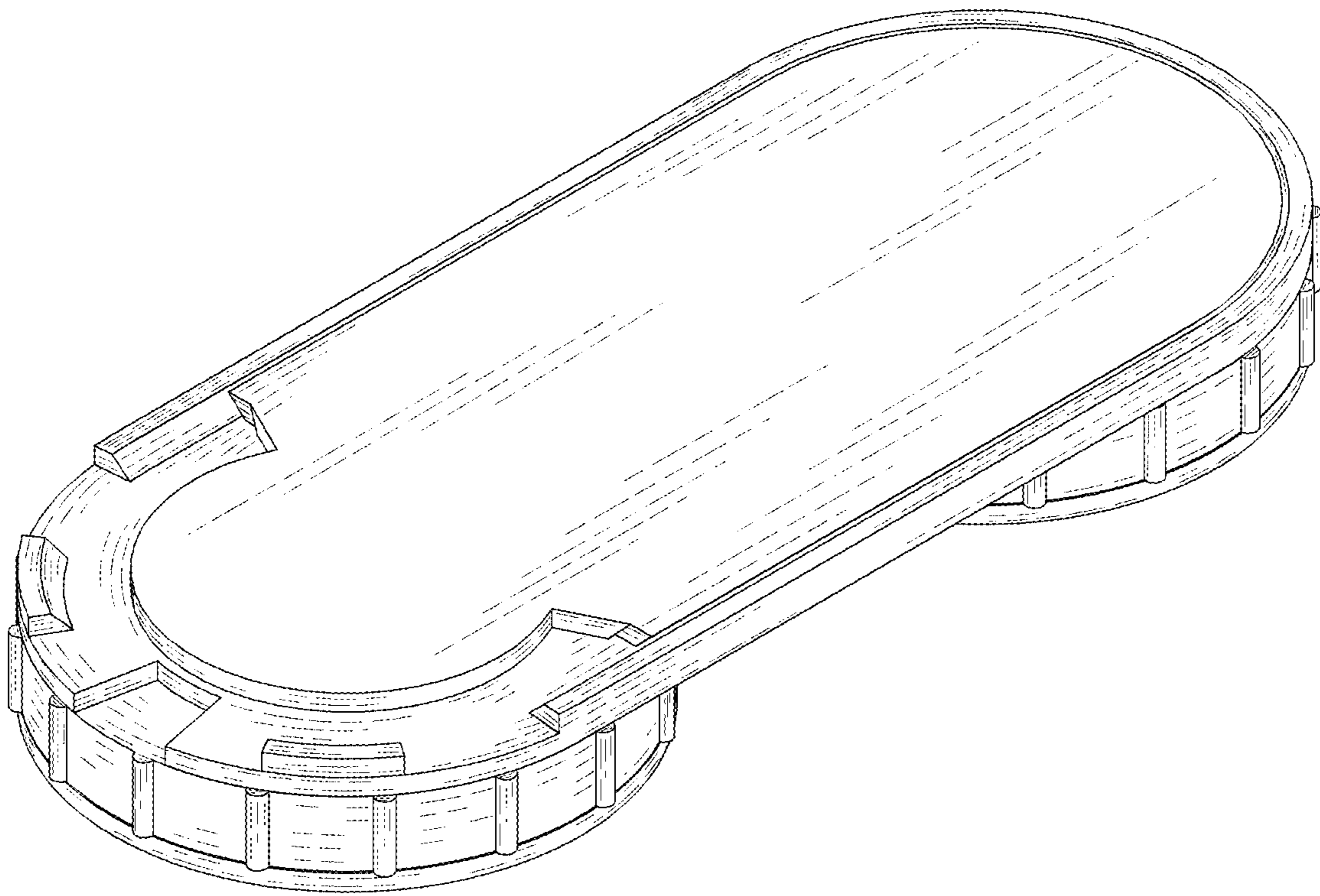


FIG. 1

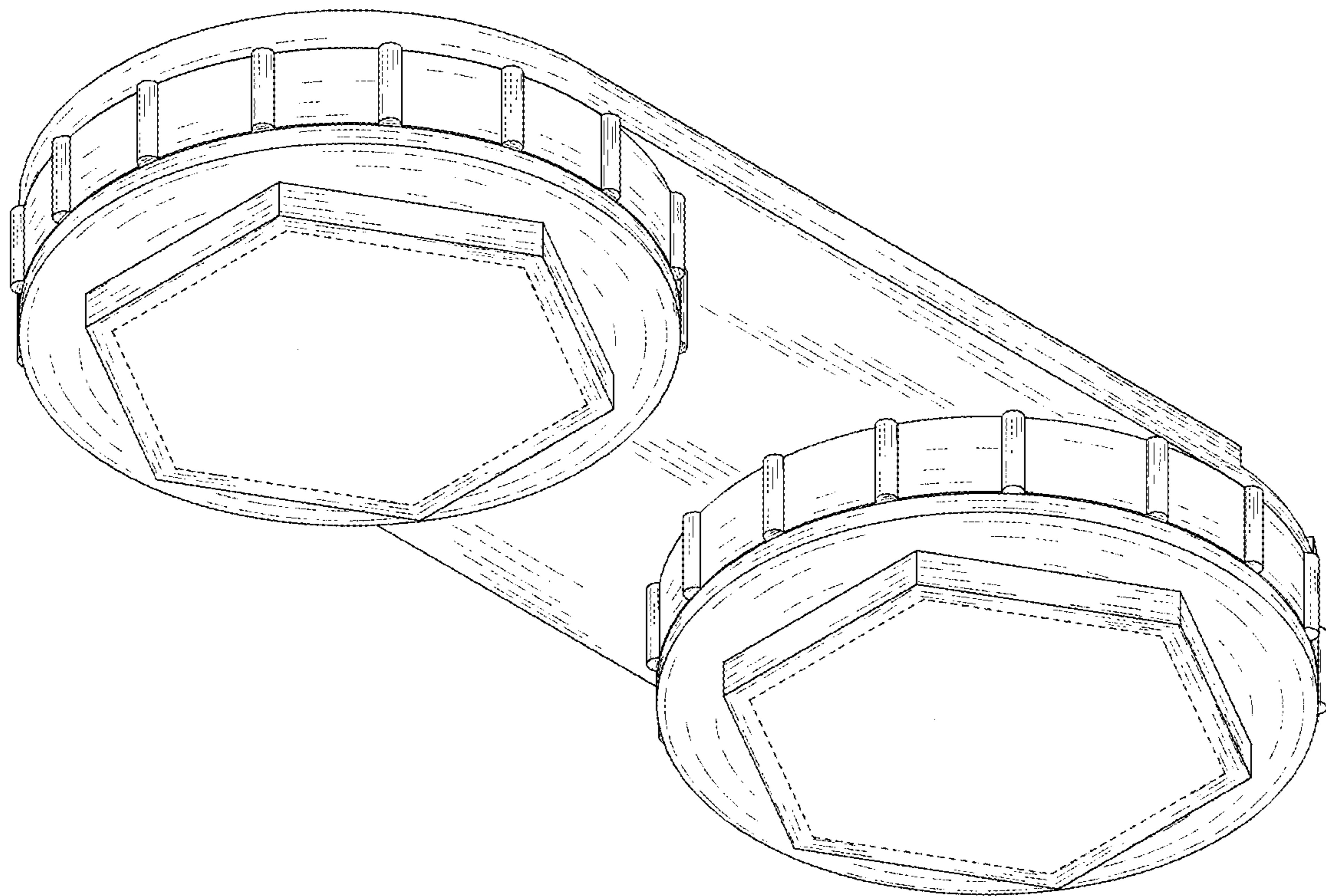


FIG. 2

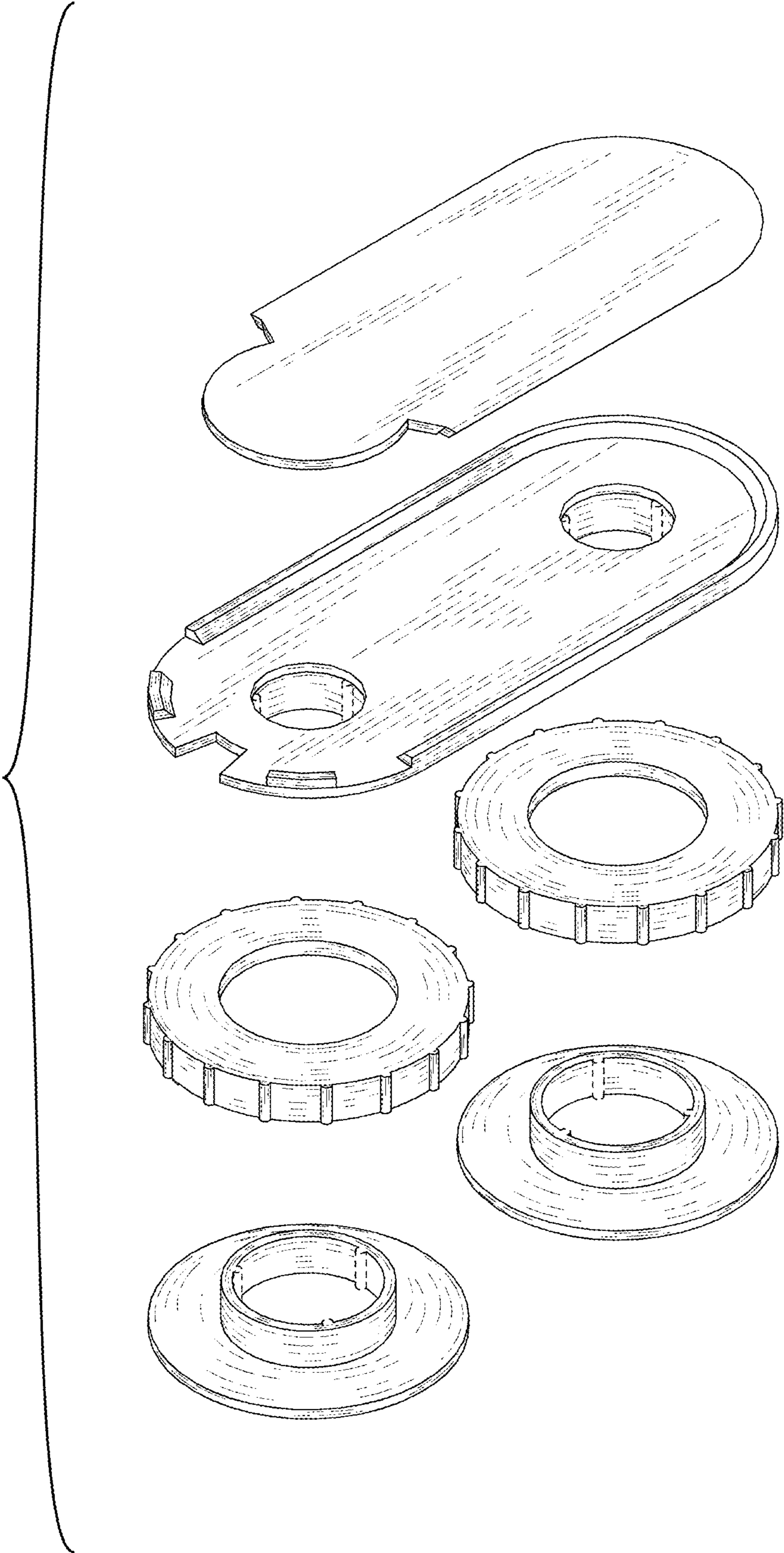


FIG. 3

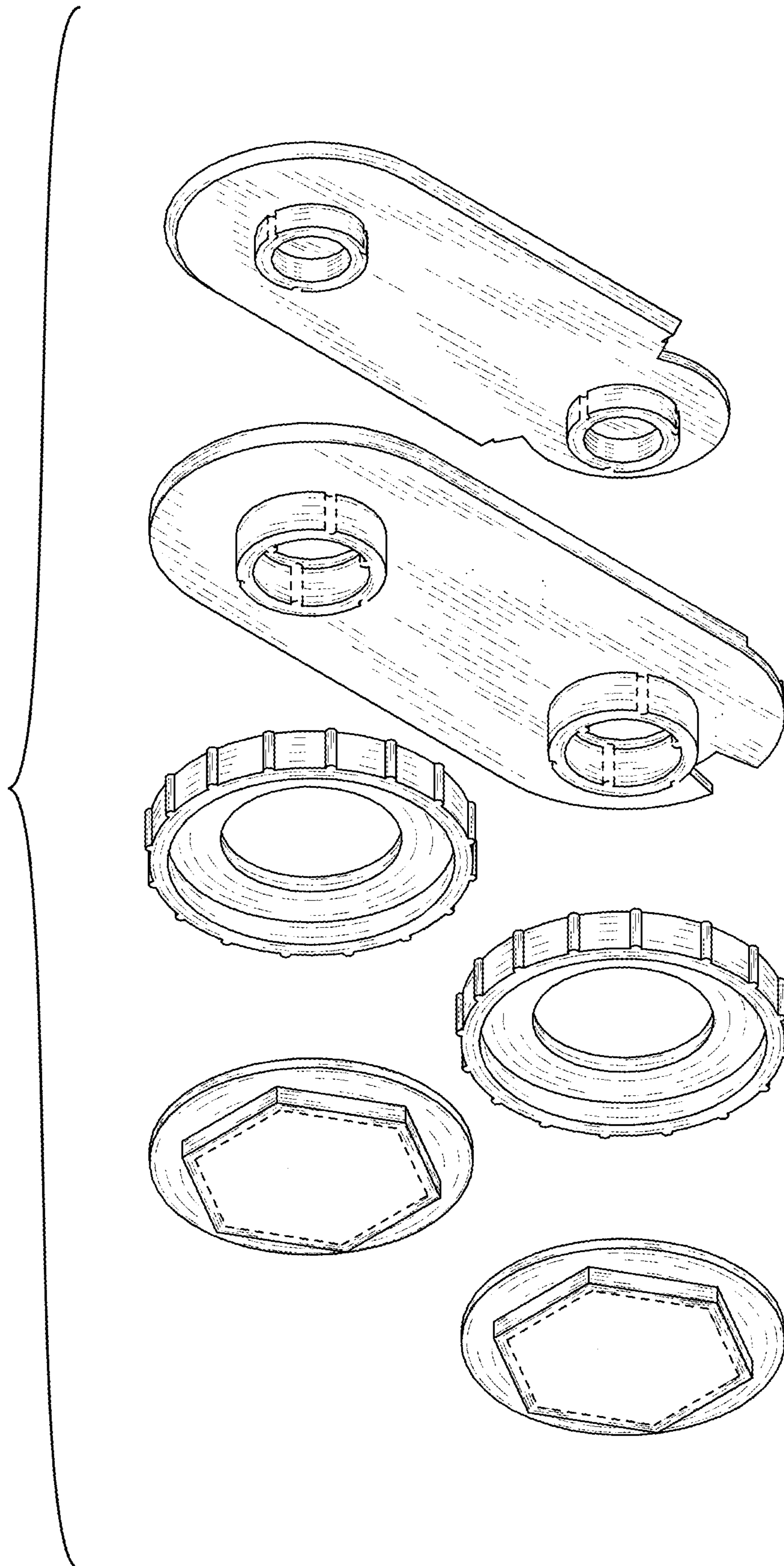


FIG. 4

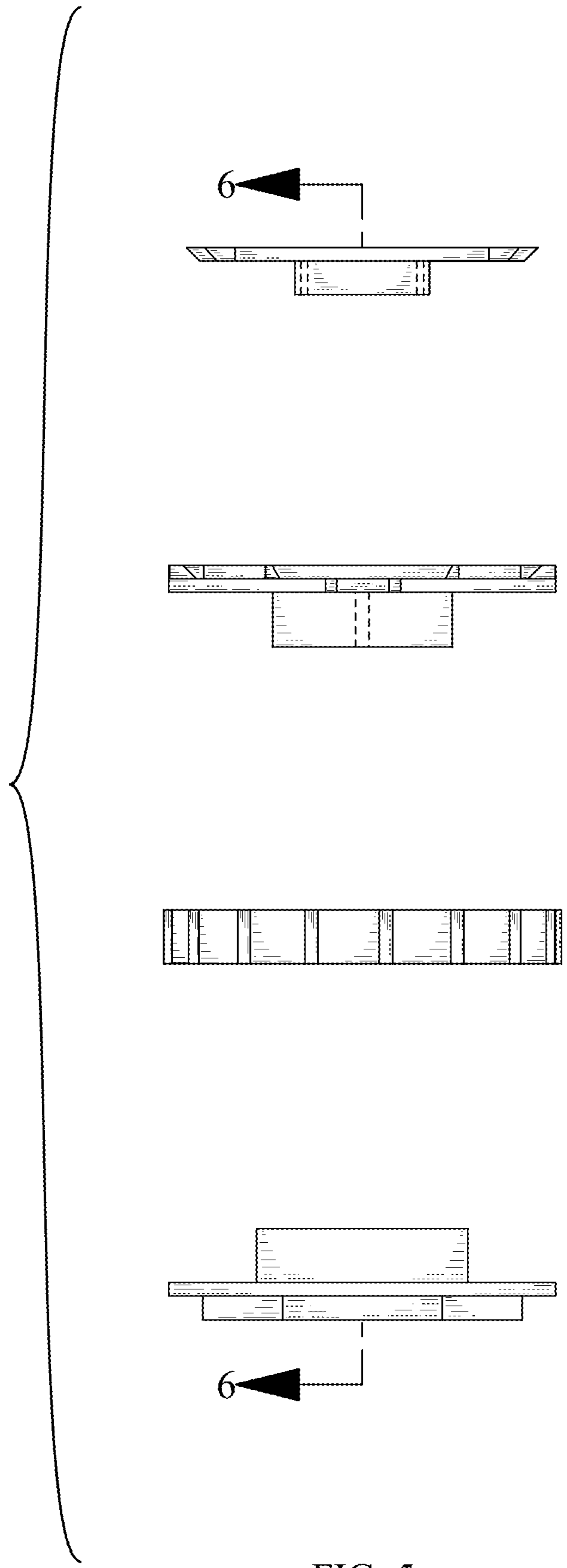


FIG. 5

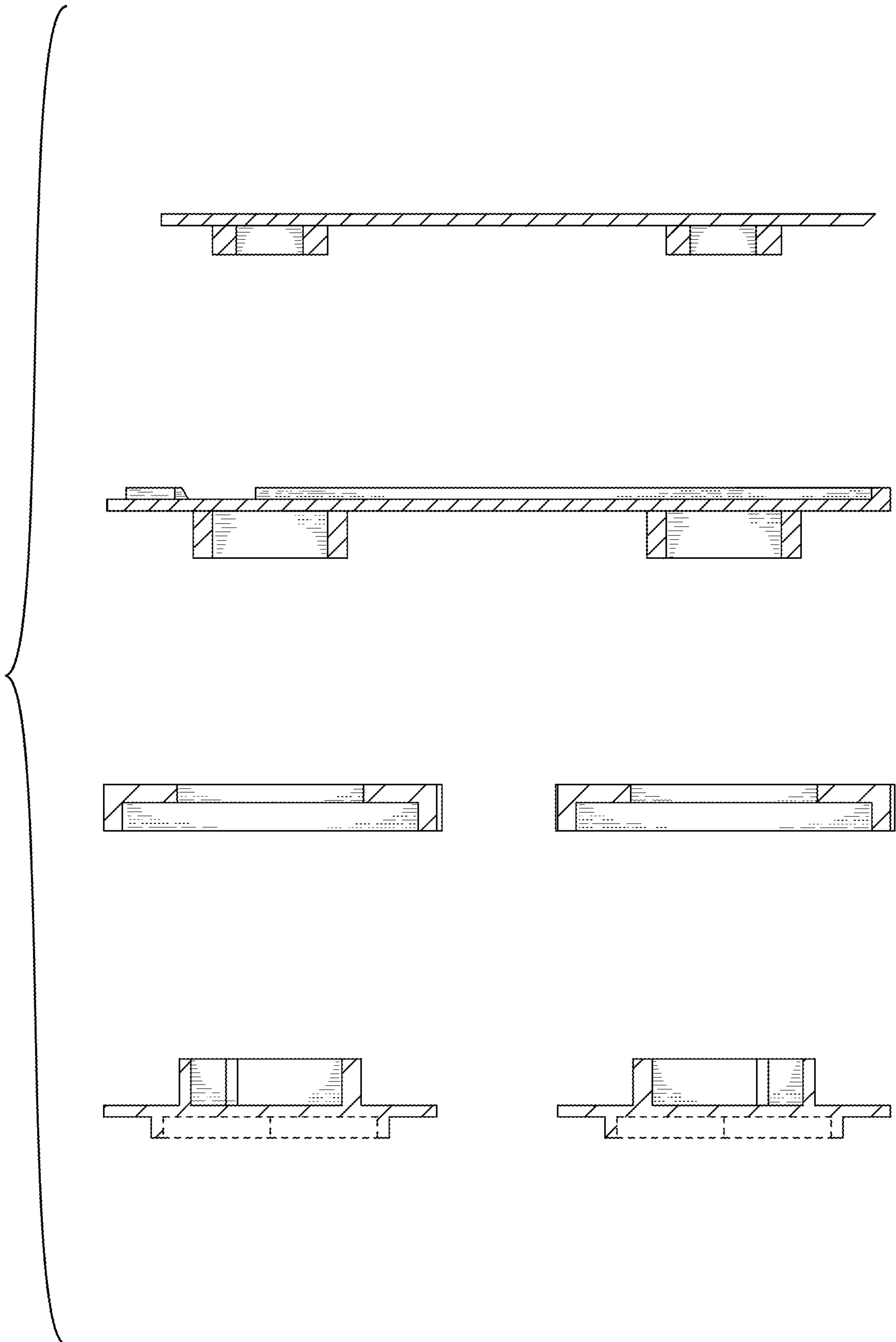


FIG. 6

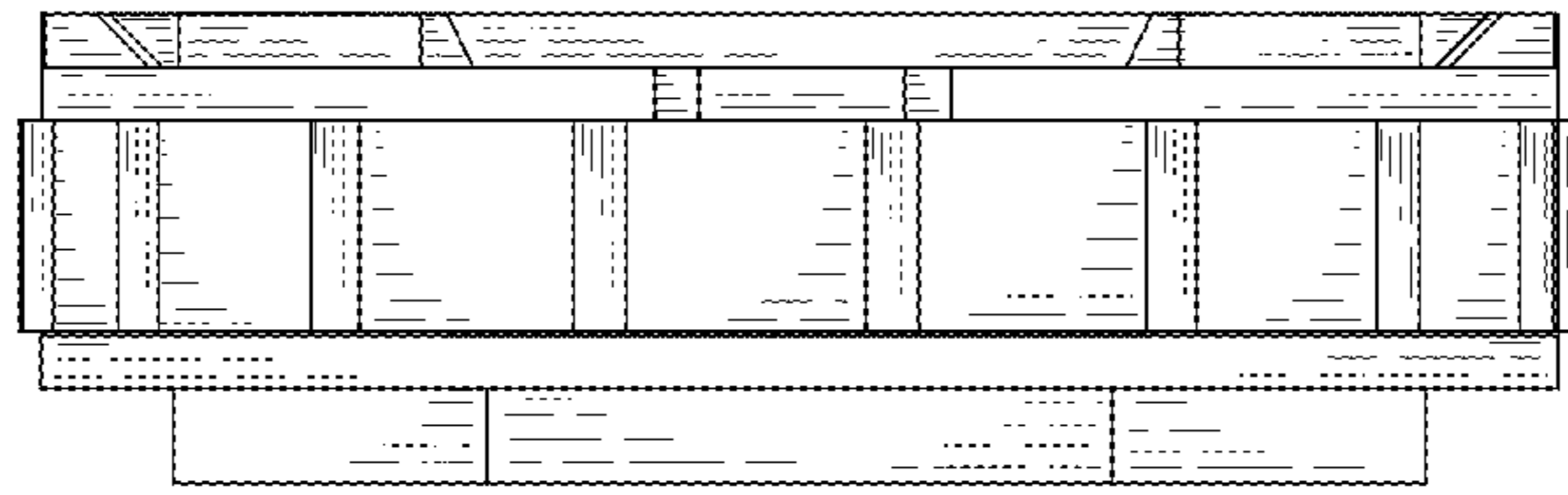


FIG. 7

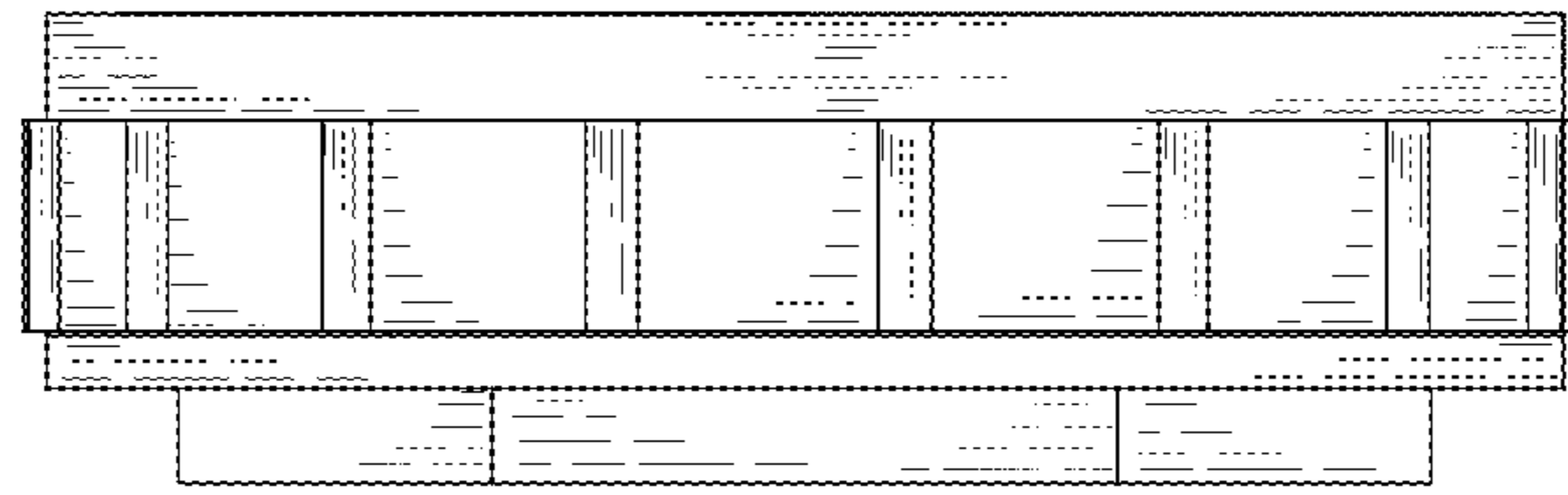


FIG. 8

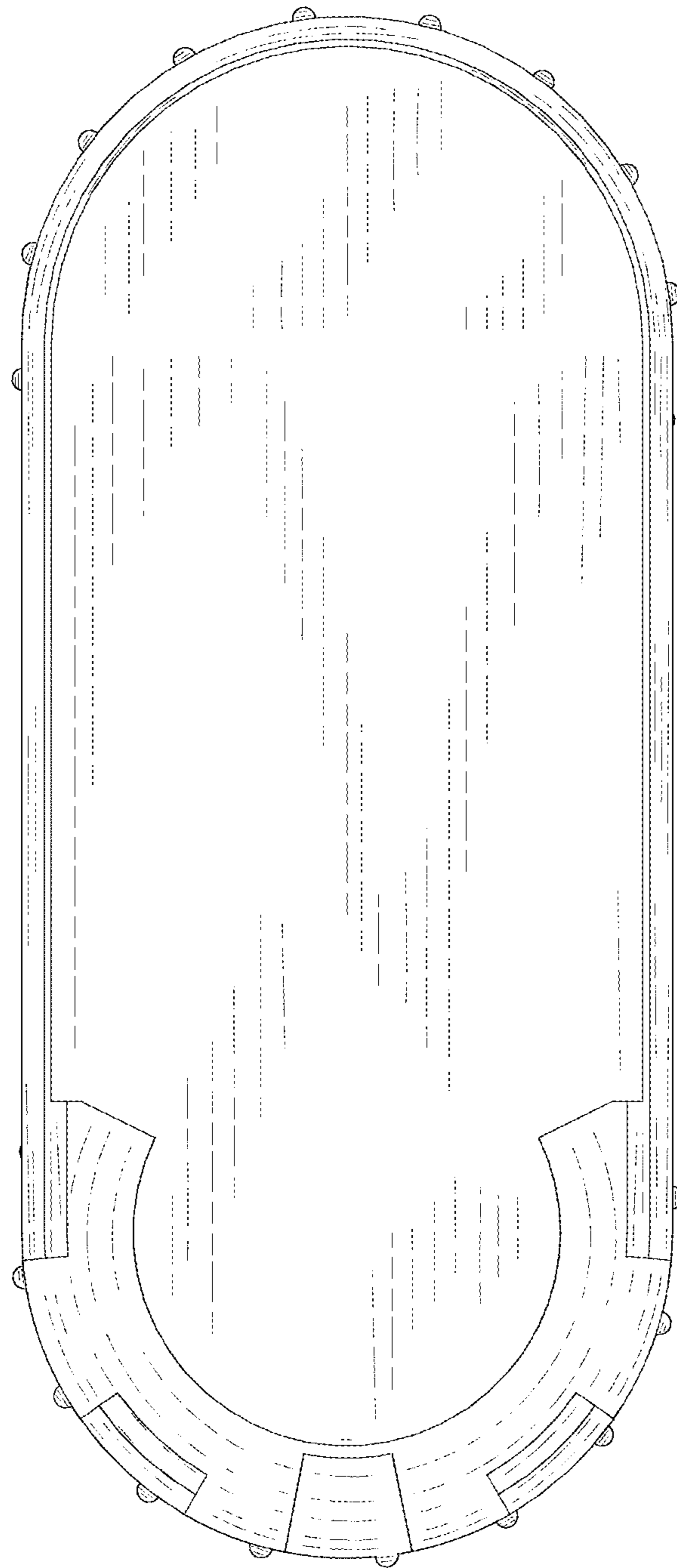


FIG. 9

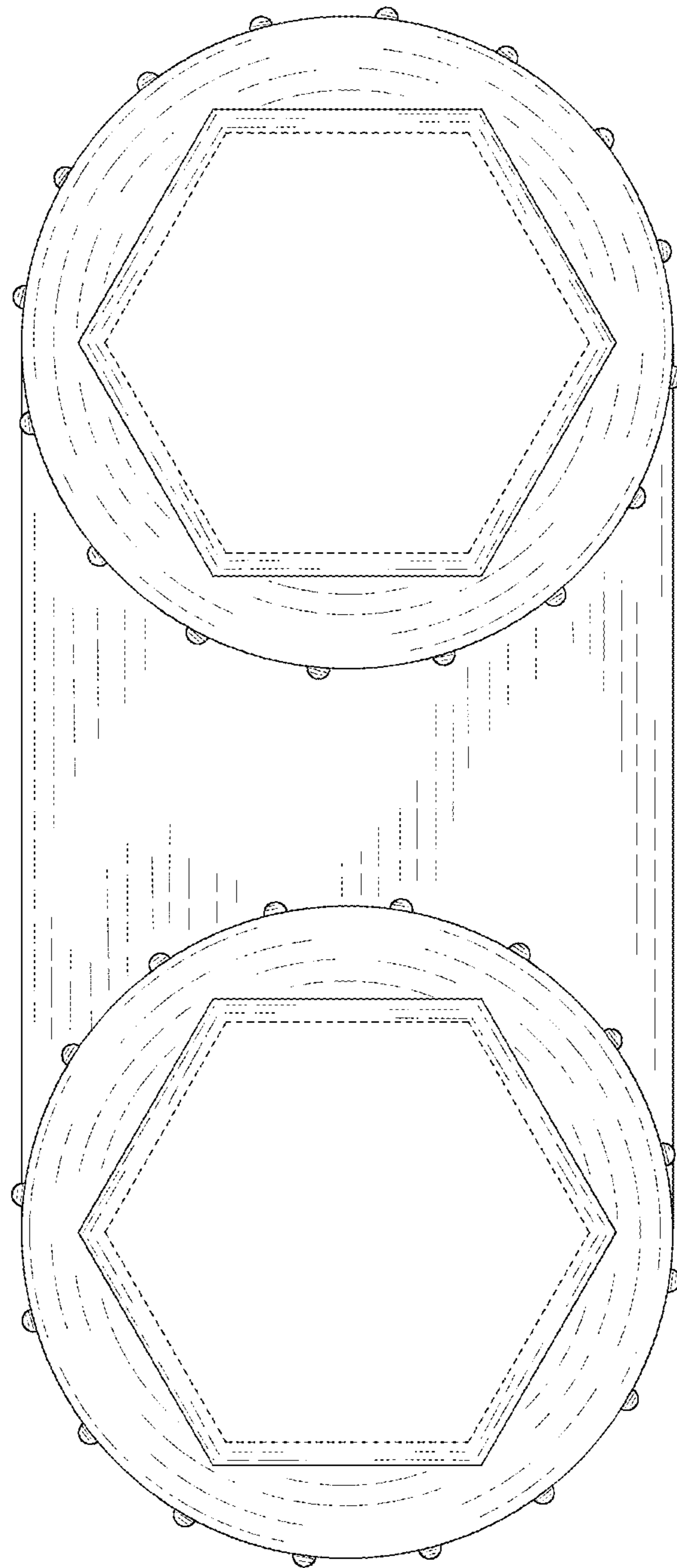


FIG. 10

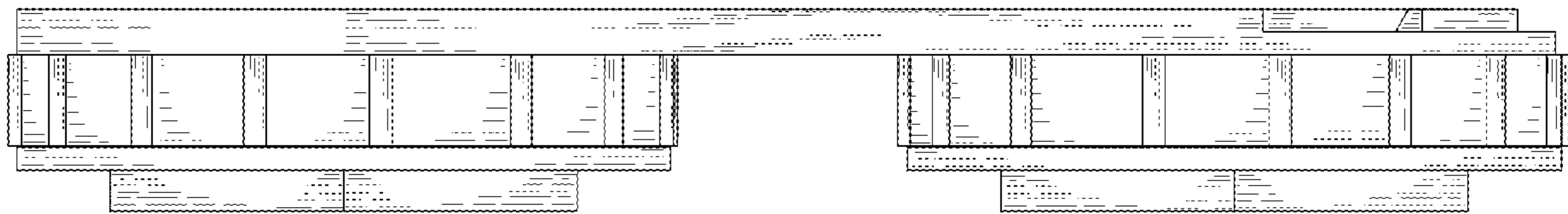


FIG. 11

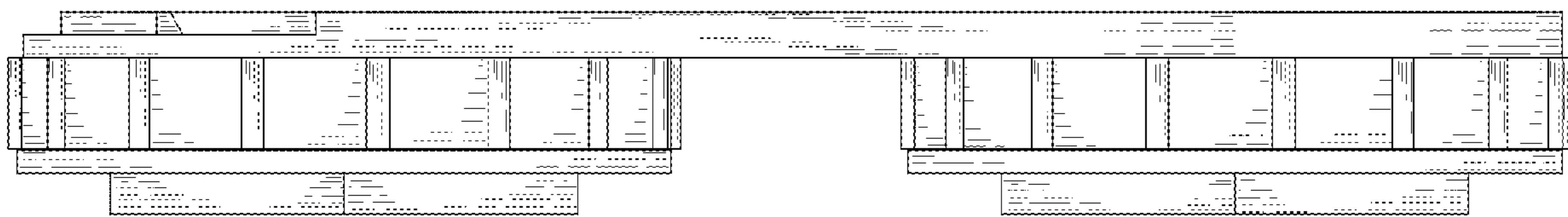


FIG. 12