



US00D86667S

(12) **United States Design Patent** (10) **Patent No.:** **US D866,667 S**
Stair et al. (45) **Date of Patent:** **** Nov. 12, 2019**

(54) **GAMING MACHINE DISPLAY**

Primary Examiner — Ryan Harvey

(71) Applicant: **Aristocrat Technologies Australia Pty Limited**, North Ryde, NSW (AU)

(74) *Attorney, Agent, or Firm* — Armstrong Teasdale LLP

(72) Inventors: **James Stair**, Las Vegas, NV (US);
Dominic J. DeMarco, Round Rock, TX (US);
Joseph E. Kaminkow, Reno, NV (US)

(57) **CLAIM**

The ornamental design for a gaming machine display, as shown and described.

(73) Assignee: **ARISTOCRAT TECHNOLOGIES AUSTRALIA PTY LIMITED**, North Ryde, NSW (AU)

DESCRIPTION

(**) Term: **15 Years**

FIG. 1 is a front perspective view of a first embodiment of a gaming machine display showing our new design; FIG. 2 is a front view of the gaming machine display design shown in FIG. 1; FIG. 3 is a back view of the gaming machine display design shown in FIG. 1; FIG. 4 is a right view of the gaming machine display design shown in FIG. 1; FIG. 5 is a left view of the gaming machine display design shown in FIG. 1; FIG. 6 is a top view of the gaming machine display design shown in FIG. 1; FIG. 7 is a front perspective view of a second embodiment of a gaming machine display showing our new design; FIG. 8 is a front view of the gaming machine display design shown in FIG. 7; FIG. 9 is a back view of the gaming machine display design shown in FIG. 7; FIG. 10 is a right view of the gaming machine display design shown in FIG. 7; FIG. 11 is a left view of the gaming machine display design shown in FIG. 7; and, FIG. 12 is a top view of the gaming machine display design shown in FIG. 7.

(21) Appl. No.: **29/636,003**

(22) Filed: **Feb. 5, 2018**

Related U.S. Application Data

(63) Continuation of application No. 29/578,786, filed on Sep. 23, 2016, now Pat. No. Des. 850,536.

(51) **LOC (12) Cl.** **21-02**

(52) **U.S. Cl.**
USPC **D21/369**

(58) **Field of Classification Search**

USPC D21/369, 370, 371, 385, 329, 325, 394;
D14/307, 172, 129, 325, 401, 371, 126,
D14/439, 432, 450, 128, 375, 248, 374,
D14/341, 138 G, 127; 463/28, 13, 11,
463/16, 20, 25, 31, 46, 23, 30, 17, 36, 29,
(Continued)

In these drawings, the broken lines illustrate unclaimed environmental features and form no part of the claimed design. The claimed surface extends underneath the broken lines up to the outer solid line edges.

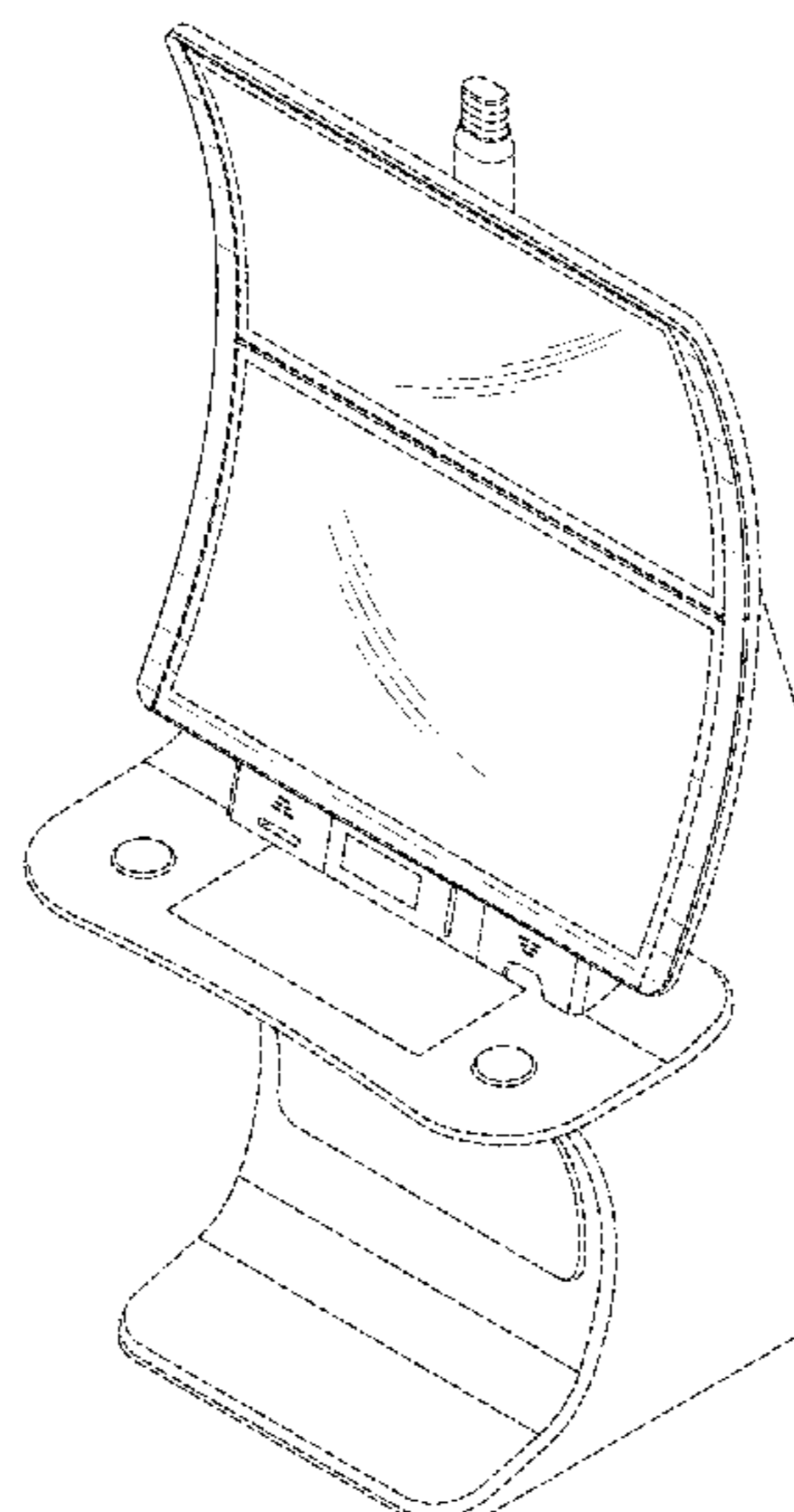
(56) **References Cited**

U.S. PATENT DOCUMENTS

3,178,747 A * 4/1965 Peterson A47L 17/06
15/143.1
3,943,282 A * 3/1976 Muntz H04N 9/3141
348/783

(Continued)

1 Claim, 10 Drawing Sheets



(58) **Field of Classification Search**

USPC 463/42, 34, 32, 35, 19, 21, 22; 273/292,
273/203, 138.2, 143 R, 142 R, 138.1;
D19/60; D16/226; D8/335, 331, 334;
D26/141; D7/641
CPC G07F 17/32; G07F 17/34; G07F 17/3211;
G07F 17/3244; G07F 17/3267
See application file for complete search history.

(56) **References Cited**

U.S. PATENT DOCUMENTS

D441,825 S * 5/2001 Han D21/820
D481,078 S 10/2003 Stephan
D508,269 S 8/2005 Wichinsky
D508,719 S 8/2005 De Haas
D508,961 S 8/2005 Gatto et al.
D522,604 S * 6/2006 Rieber D21/818
D529,772 S * 10/2006 Samaro D8/16
D560,724 S 1/2008 Johnson
D560,725 S 1/2008 Johnson
D572,314 S 7/2008 Vallejo et al.
D573,417 S * 7/2008 Osbourn D7/641
D575,840 S * 8/2008 Sammann D21/818
D601,220 S * 9/2009 Sammann D21/818
D603,909 S 11/2009 De Viveiros Ortiz
D604,368 S 11/2009 Lesley et al.
D604,773 S 11/2009 De Viveiros Ortiz
D604,774 S 11/2009 De Viveiros Ortiz
D605,231 S 12/2009 Hashimoto et al.
D612,432 S 3/2010 De Viveiros Ortiz
D615,598 S 5/2010 McComb et al.
D618,682 S * 6/2010 Haase D14/371
D622,780 S 8/2010 Lesley et al.
D622,781 S 8/2010 Lesley et al.

D646,336 S * 10/2011 Kelly D21/329
D646,337 S 10/2011 Kelly et al.
D649,605 S 11/2011 Terpstra et al.
D674,023 S * 1/2013 Seelig D21/369
D685,033 S 6/2013 Wudtke
D697,558 S * 1/2014 Myers D21/325
8,641,535 B2 2/2014 McComb et al.
D706,741 S * 6/2014 Myers D14/172
D712,975 S 9/2014 Lesley et al.
D719,615 S * 12/2014 Inoue D21/370
D719,616 S * 12/2014 Inoue D21/370
D736,751 S * 8/2015 Lee D14/248
D736,752 S * 8/2015 Lee D14/248
D740,888 S * 10/2015 DePalma D21/370
D742,974 S 11/2015 Lesley et al.
D742,975 S * 11/2015 Myers D21/370
D743,363 S * 11/2015 Yokota D14/126
RE46,169 E * 10/2016 Kelly G07F 17/34
D21/329
D771,041 S * 11/2016 Bae D14/341
D774,032 S * 12/2016 Bae D14/341
D812,146 S * 3/2018 Castro D21/369
D812,147 S * 3/2018 Castro D21/369
D812,148 S * 3/2018 Castro D21/369
D812,149 S * 3/2018 Castro D21/369
D819,747 S * 6/2018 Castro D21/369
2003/0200619 A1 * 10/2003 Kelsey A45D 26/00
15/236.01
2011/0136573 A1 6/2011 McComb et al.
2013/0278875 A1 * 10/2013 Kim G02F 1/133514
349/106
2016/0093143 A1 * 3/2016 Lamb G07F 17/3213
463/20
2016/0364946 A1 * 12/2016 Castro G07F 17/3216
2017/0092052 A1 * 3/2017 McKay G07F 17/3216
2018/0078854 A1 * 3/2018 Achmueller A63F 13/20

* cited by examiner

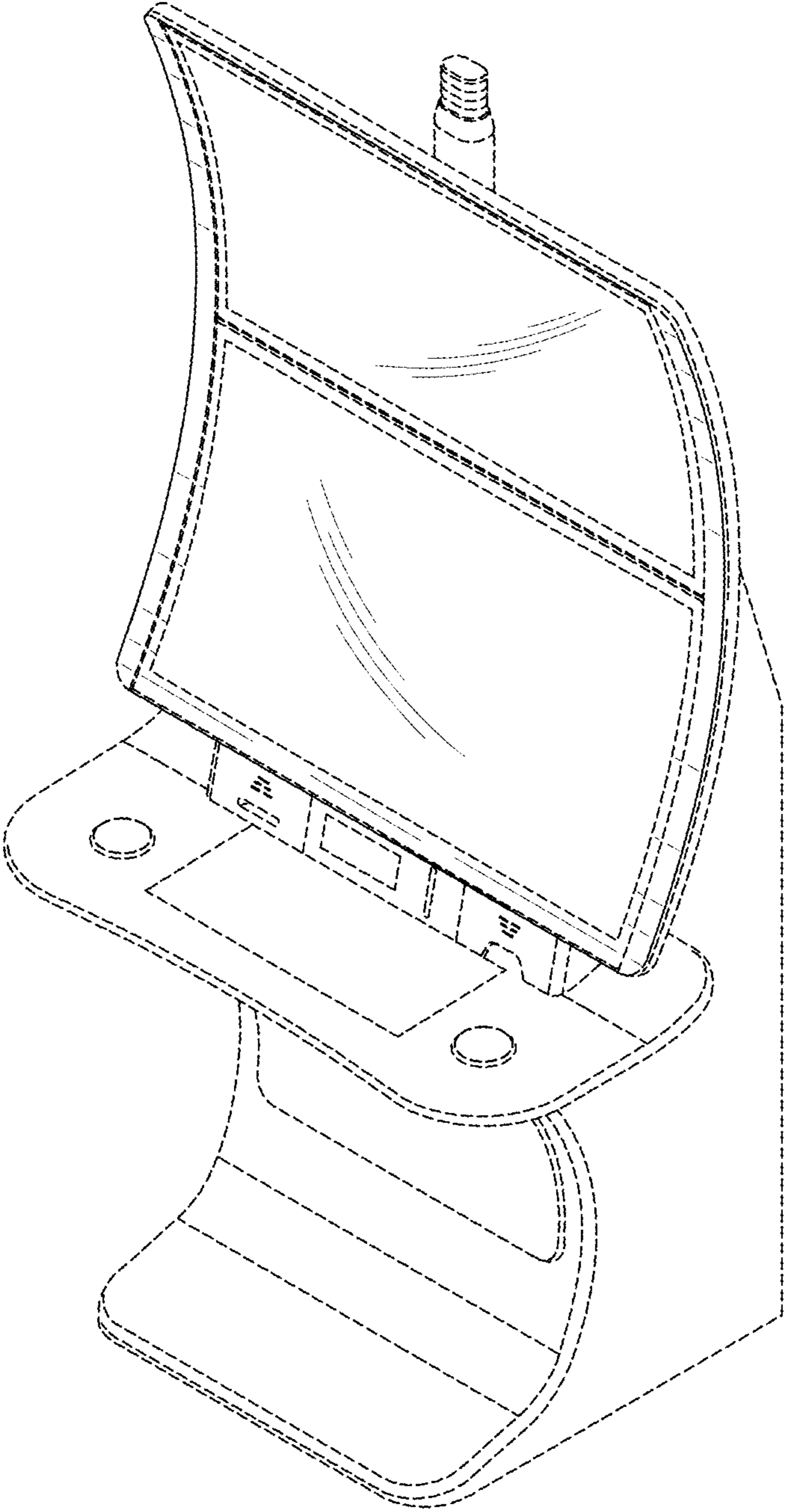


FIG. 1

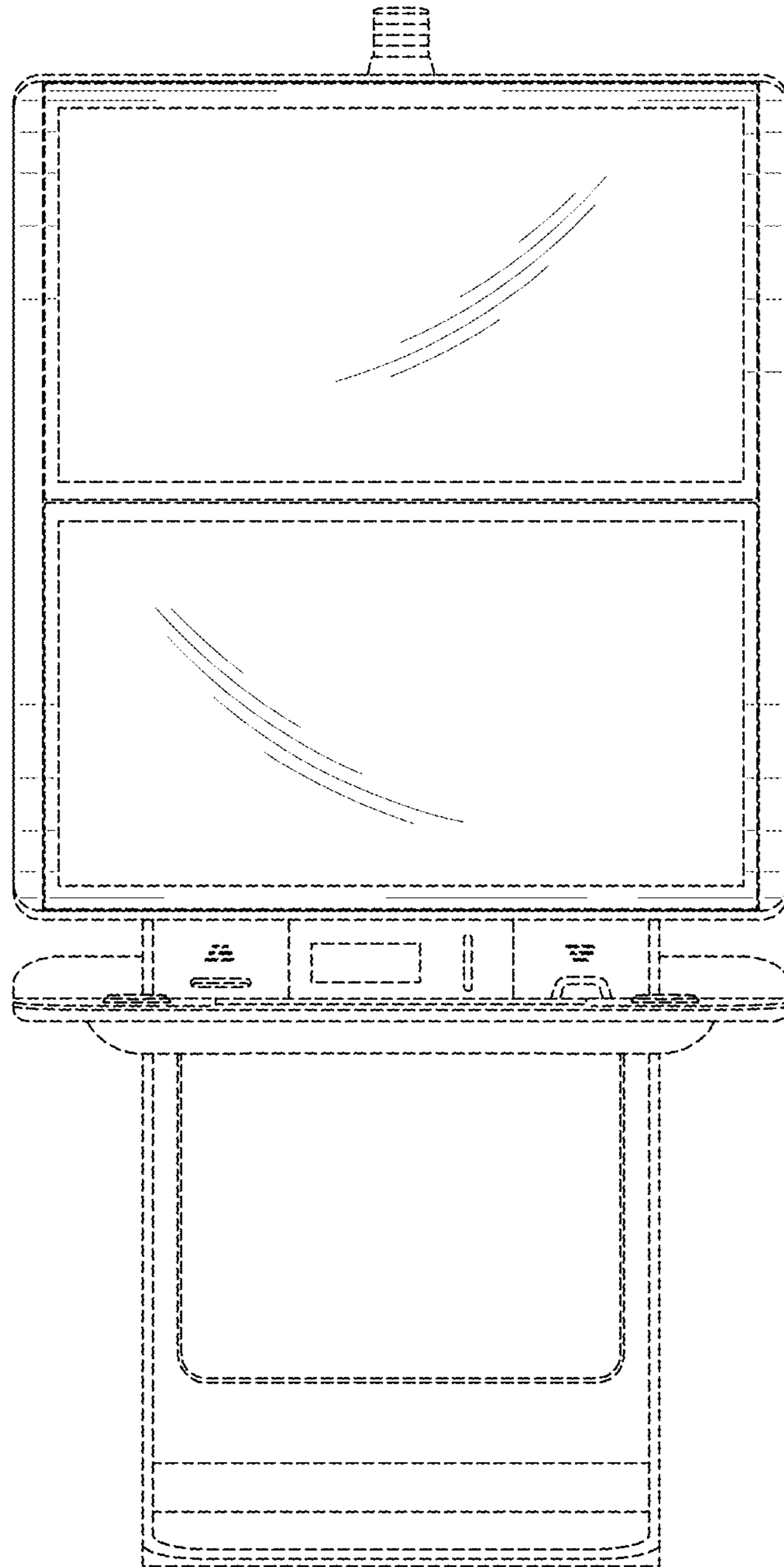


FIG. 2

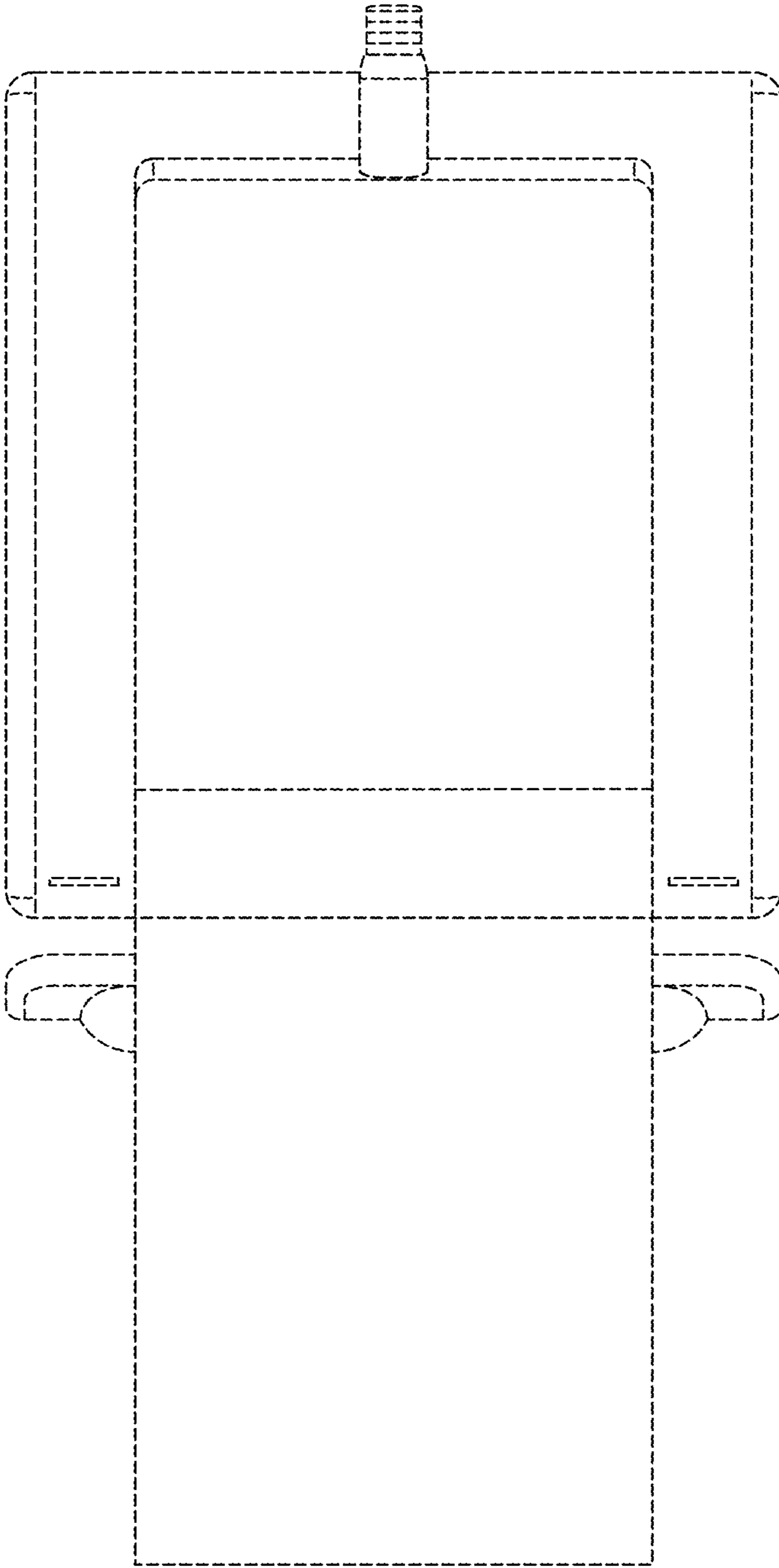


FIG. 3

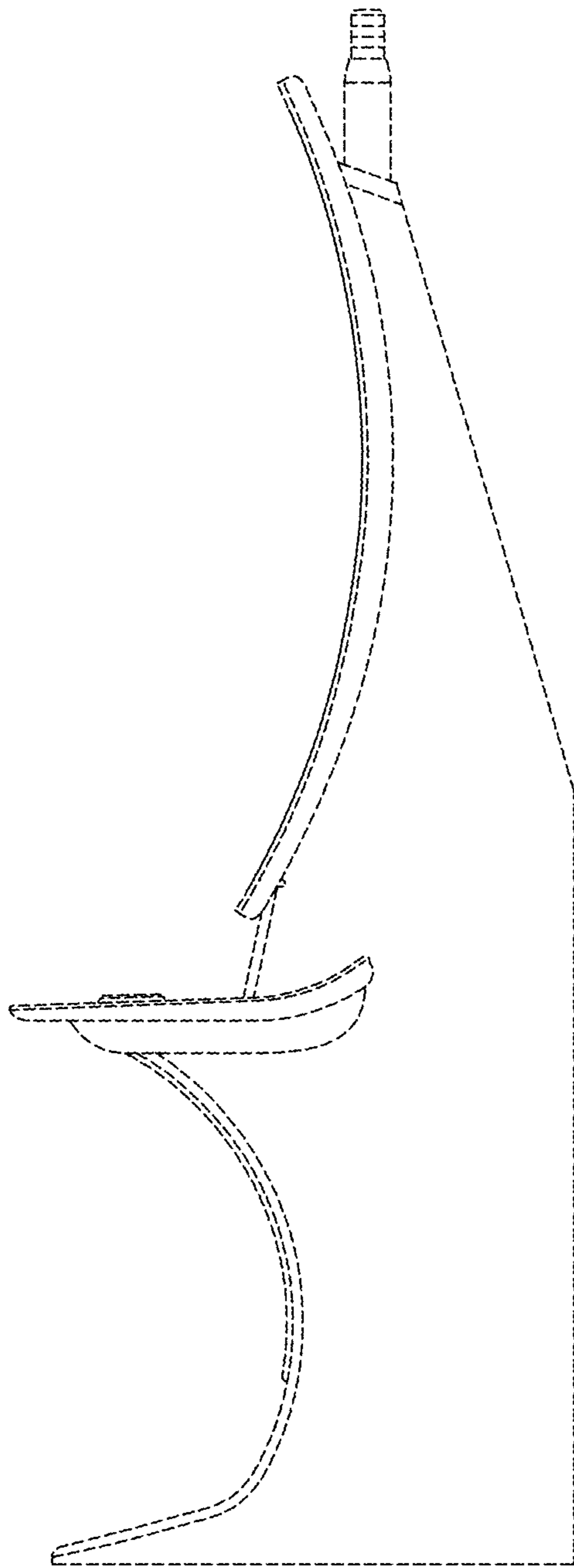


FIG. 4

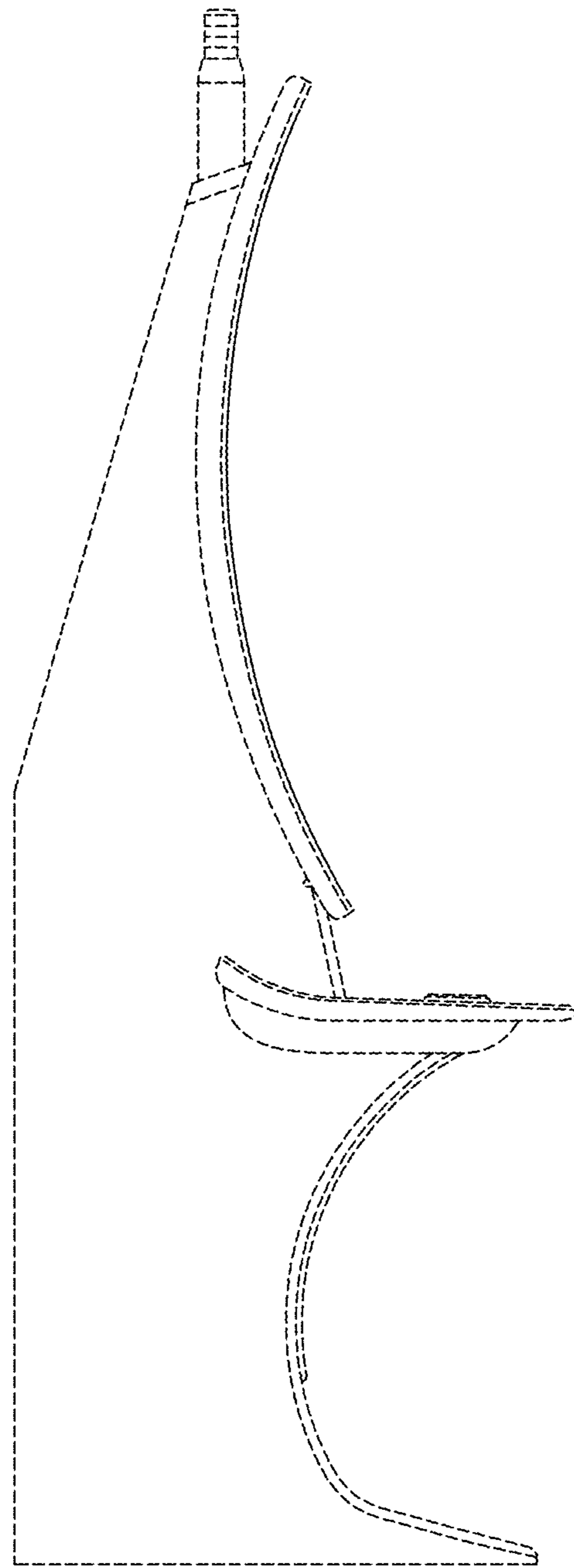


FIG. 5

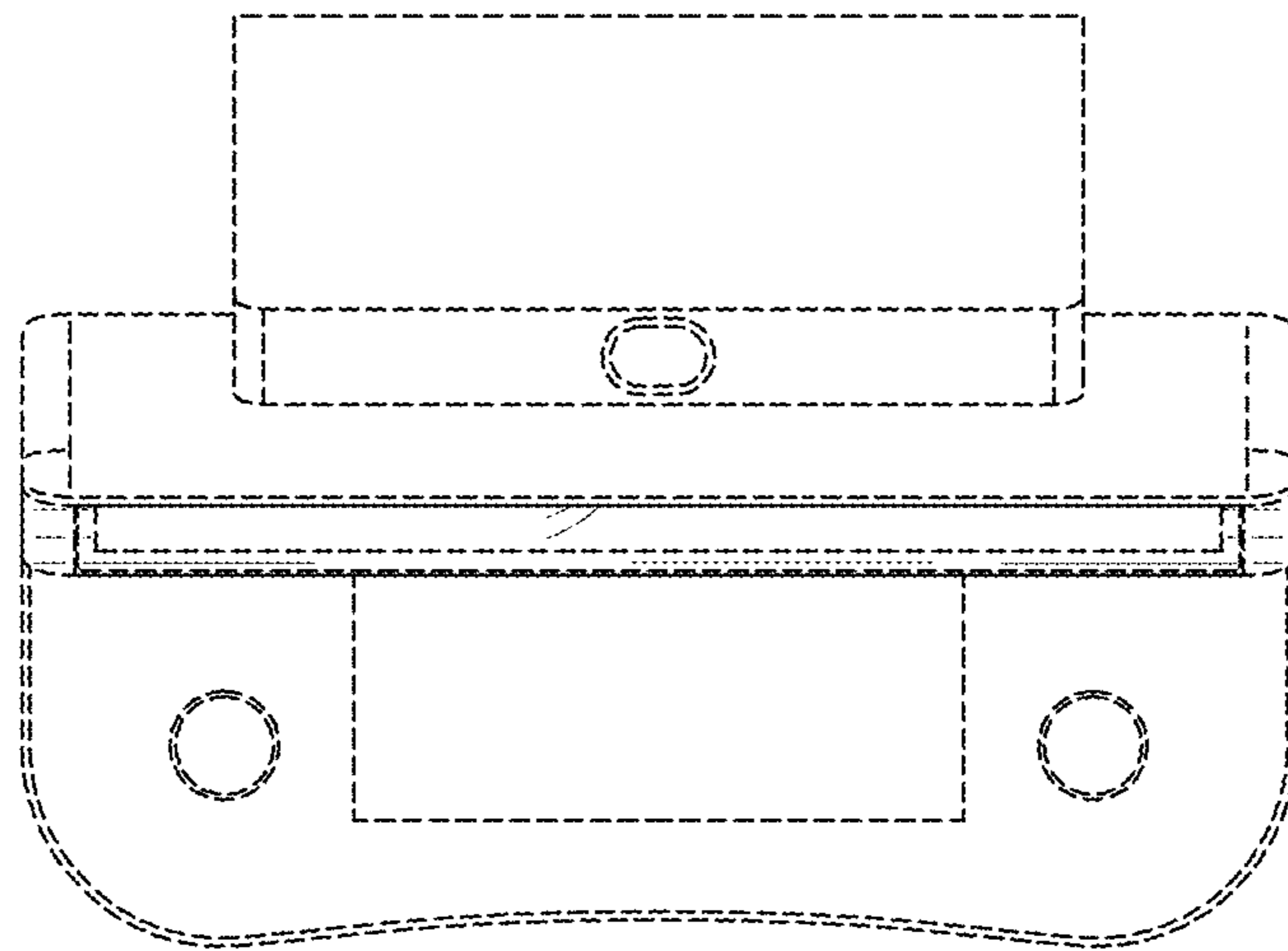


FIG. 6

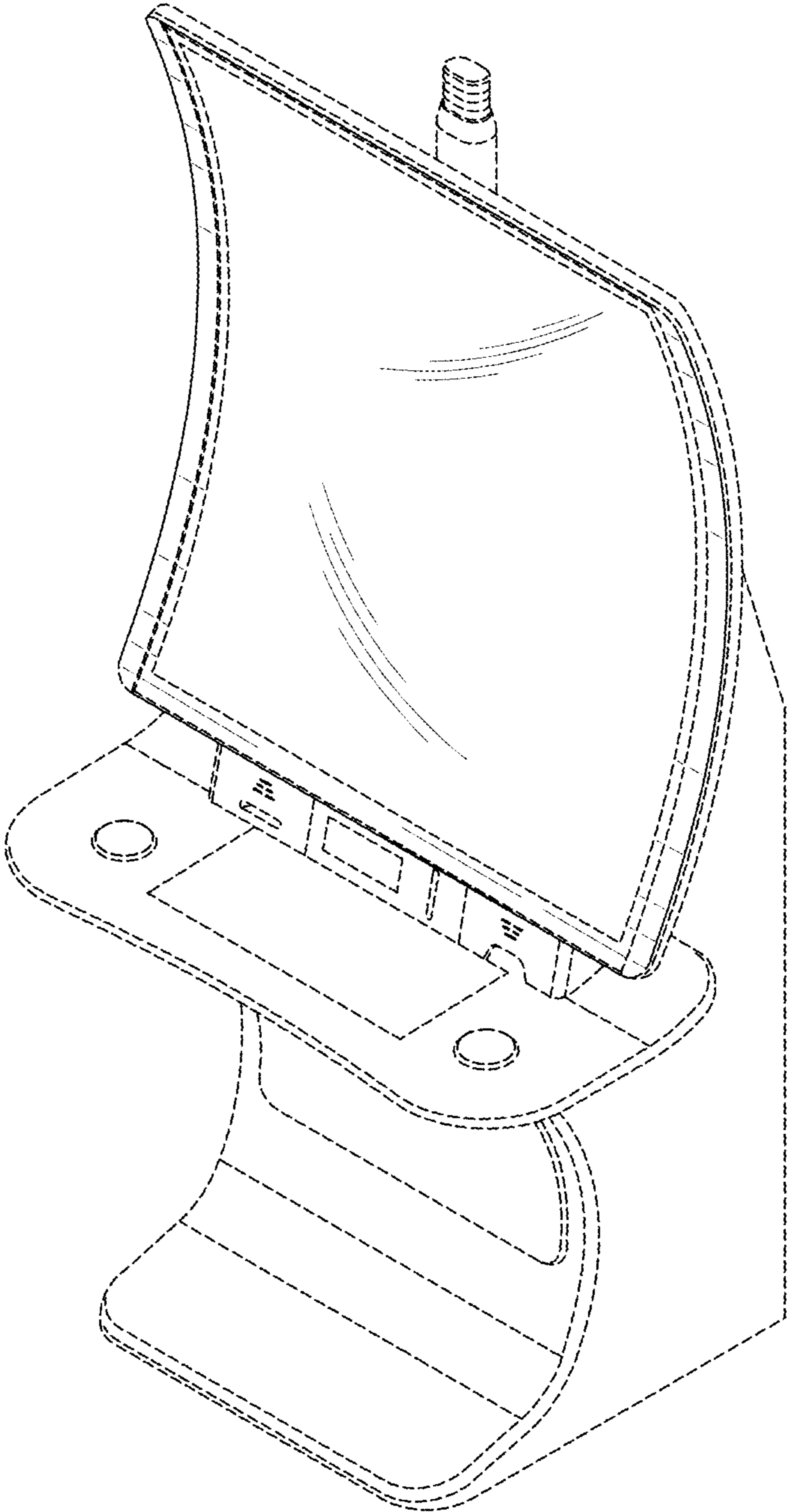


FIG. 7

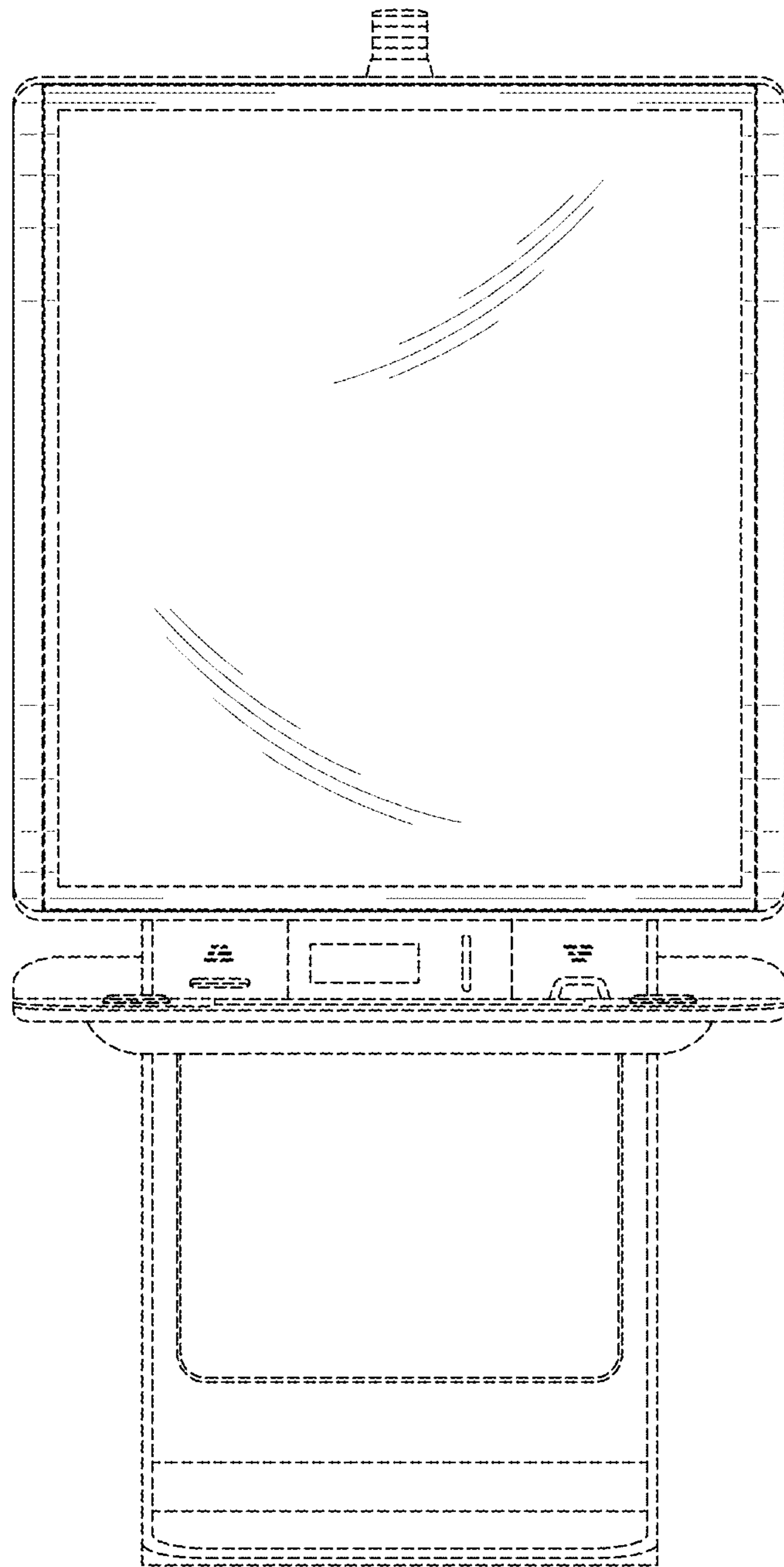


FIG. 8

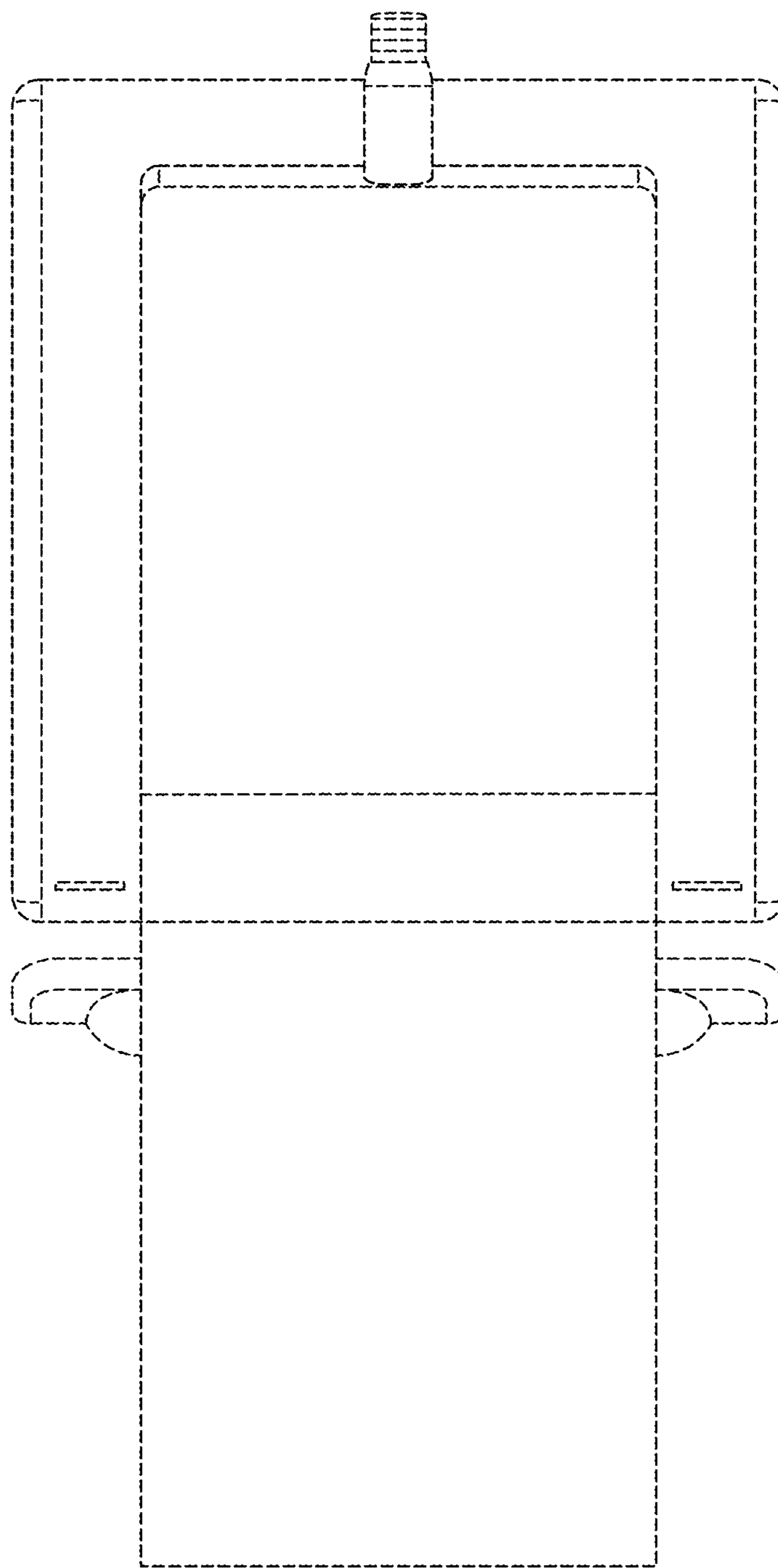


FIG. 9

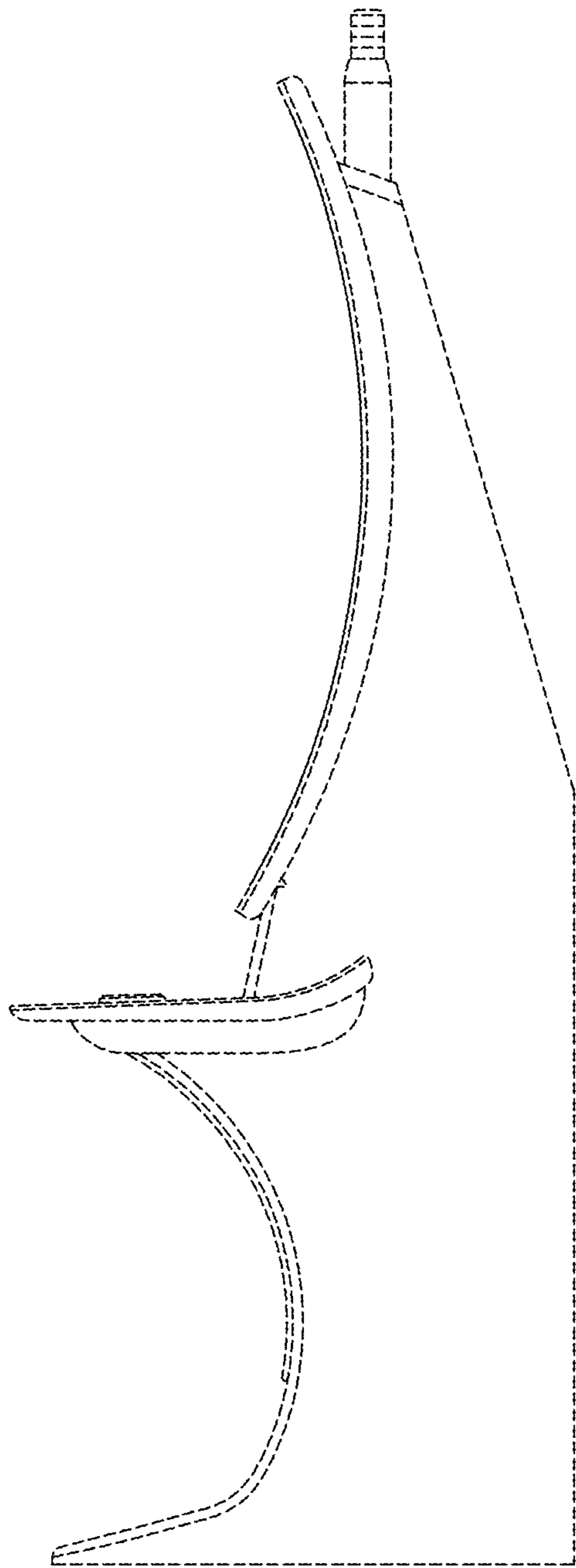


FIG. 10

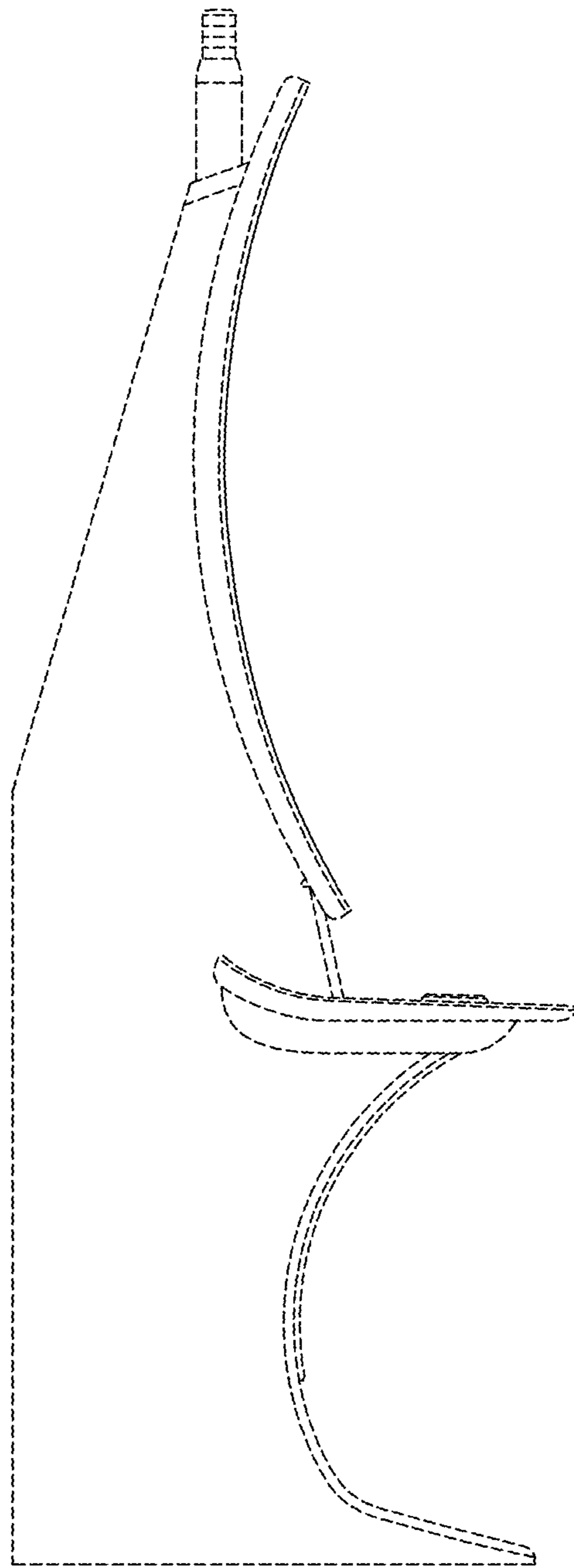


FIG. 11

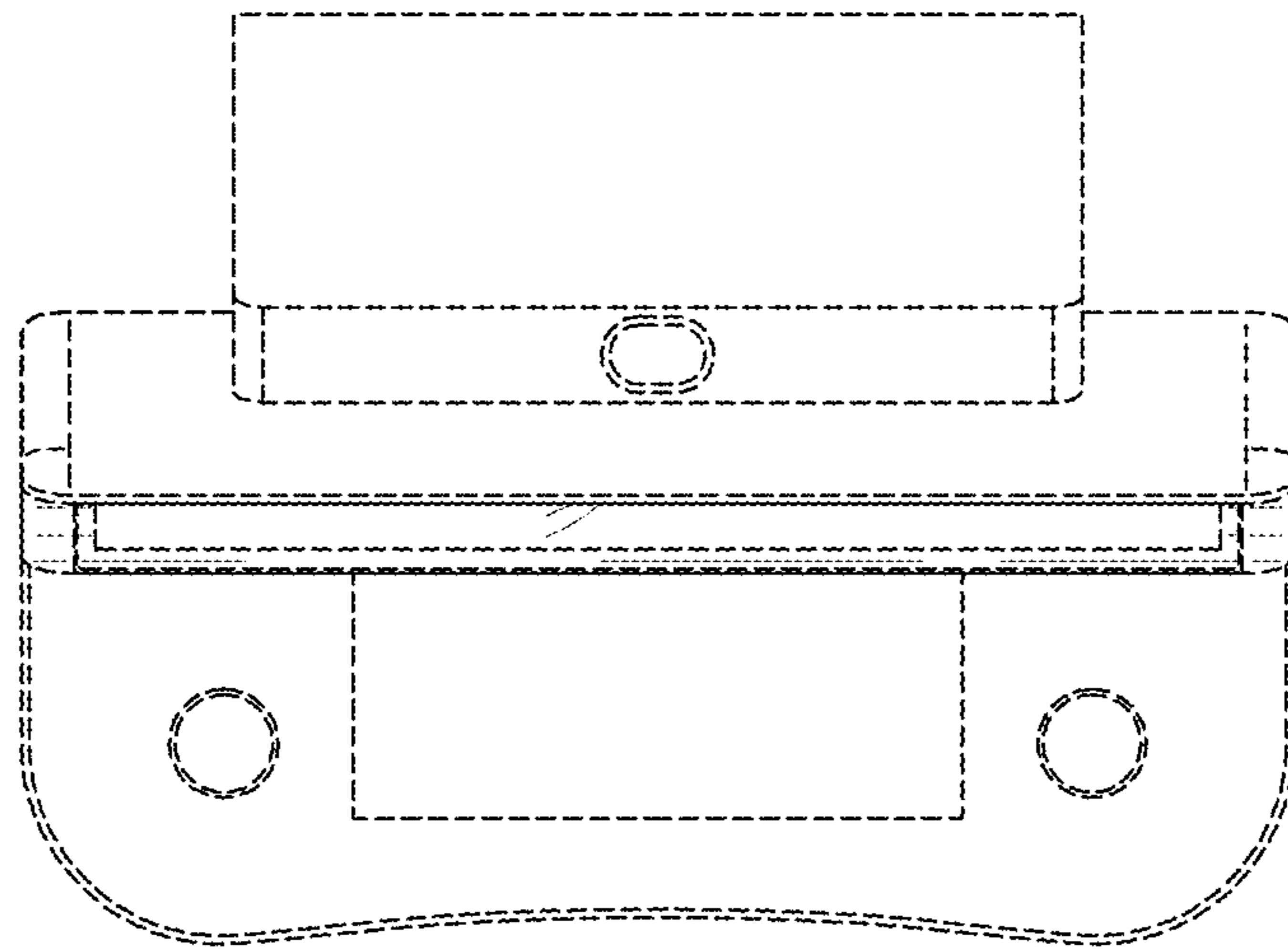


FIG. 12