



US00D86666S

(12) **United States Design Patent** (10) **Patent No.:** **US D866,666 S**
Ditton et al. (45) **Date of Patent:** **** Nov. 12, 2019**

(54) **ELECTRONIC GAMING MACHINE**
(71) Applicant: **Incredible Technologies, Inc.**, Vernon Hills, IL (US)
(72) Inventors: **Richard A Ditton**, Las Vegas, NV (US); **Larry Hodgson**, Las Vegas, NV (US); **Omar Torres**, Barrington, IL (US); **Bryan McVey**, Chicago, IL (US); **George Biggs**, Schaumburg, IL (US); **Matthew Randazzo**, Itasca, IL (US)

D509,254 S 9/2005 Rasmussen et al.
D523,092 S 6/2006 Karlsson
D525,664 S * 7/2006 Cole D21/369
D613,802 S 4/2010 Meyers et al.
D615,598 S 5/2010 McComb et al.
D673,620 S * 1/2013 Johnson D21/369
D673,621 S * 1/2013 Johnson D21/369
D677,736 S 3/2013 Dorn et al.
D684,639 S 6/2013 Shelley
8,851,989 B2 * 10/2014 Rosander G07F 17/3216
463/31
D723,626 S * 3/2015 Vasquez D21/370
D740,887 S 10/2015 Randazzo

(73) Assignee: **INCREDIBLE TECHNOLOGIES, INC.**, Vernon Hills, IL (US)

(**) Term: **15 Years**

(21) Appl. No.: **29/613,074**

(22) Filed: **Aug. 7, 2017**

(51) **LOC (12) Cl.** **21-03**

(52) **U.S. Cl.**
USPC **D21/369**

(58) **Field of Classification Search**
USPC D21/369, 370, 371, 385, 329, 325, 394;
D14/307, 172, 129, 325, 401, 371, 126,
D14/439, 432, 450, 128, 375, 248, 374,
D14/341, 138 G, 127; 463/28, 13, 11,
463/16, 20, 25, 31, 46, 23, 30, 17, 36, 29,
463/42, 34, 32, 35, 19, 21, 22; 273/292,
273/203, 138.2, 143 R, 142 R, 138.1;
D8/335, 331, 334
CPC G07F 17/32; G07F 17/34; G07F 17/3211;
G07F 17/3244; G07F 17/3267
See application file for complete search history.

(56) **References Cited**

U.S. PATENT DOCUMENTS

D492,676 S 7/2004 Monson et al.
D498,267 S * 11/2004 Crouch D21/370
D508,269 S 8/2005 Wichinsky

(Continued)

OTHER PUBLICATIONS

Infinity by Incredible Technologies dated Apr. 23, 2018. Found online [Aug. 27, 2018] <https://www.youtube.com/watch?v=ILttEvQX4YE>.*

Primary Examiner — Ryan Harvey

(74) *Attorney, Agent, or Firm* — Husch Blackwell LLP; George S. Pavlik

(57) **CLAIM**

The ornamental design for an electronic gaming machine, as shown and described, except as disclaimed herein.

DESCRIPTION

FIG. 1 is a perspective view of the electronic gaming machine.

FIG. 2 is a front elevational view thereof.

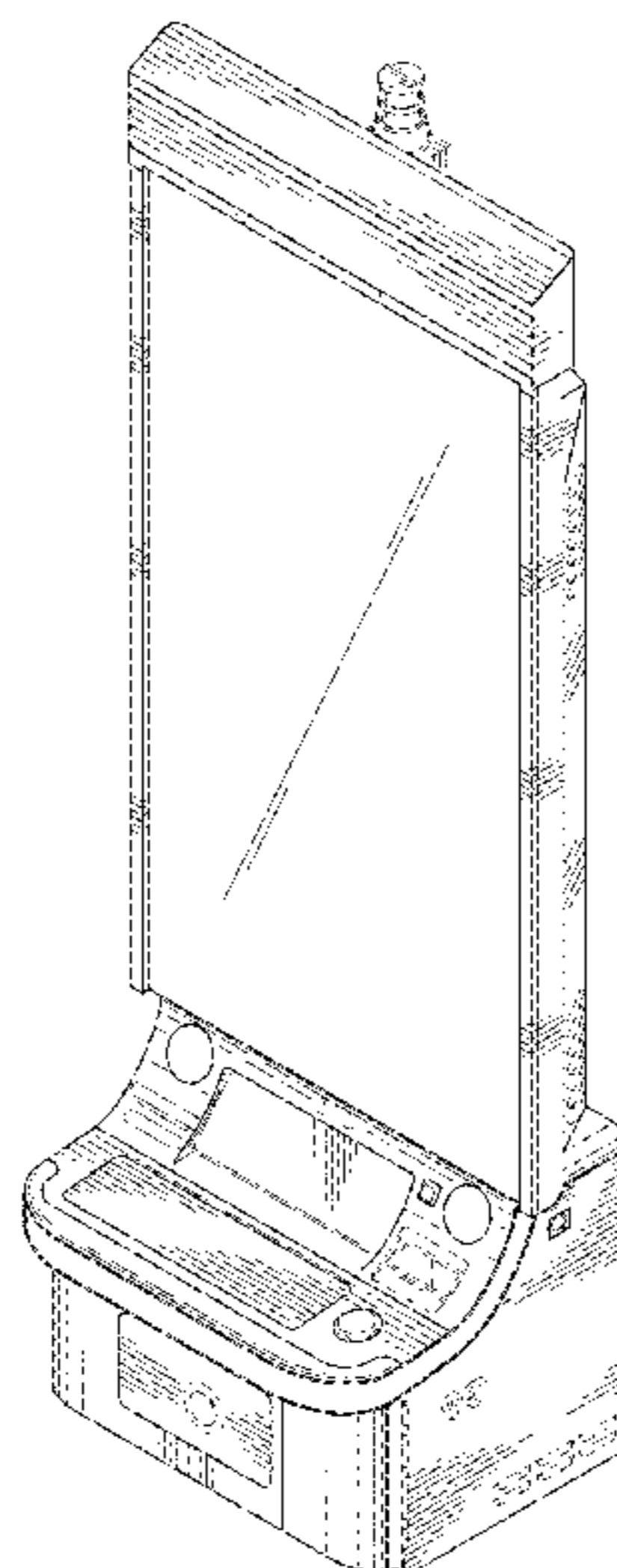
FIG. 3 is a side elevational view thereof; and,

FIG. 4 is a top plan view thereof.

The bottom and rear views of the electronic gaming machine illustrated in FIGS. 1-4 are hereby disclaimed and form no part of the claimed design.

The broken lines in the drawings illustrate portions of the electronic gaming machine that form no part of the claimed design.

1 Claim, 4 Drawing Sheets



(56)

References Cited

U.S. PATENT DOCUMENTS

D813,954 S * 3/2018 Calhoun D21/369
2013/0084948 A1* 4/2013 Watkins G07F 17/3276
463/23
2018/0082523 A1* 3/2018 Palermo G07F 17/3216

* cited by examiner

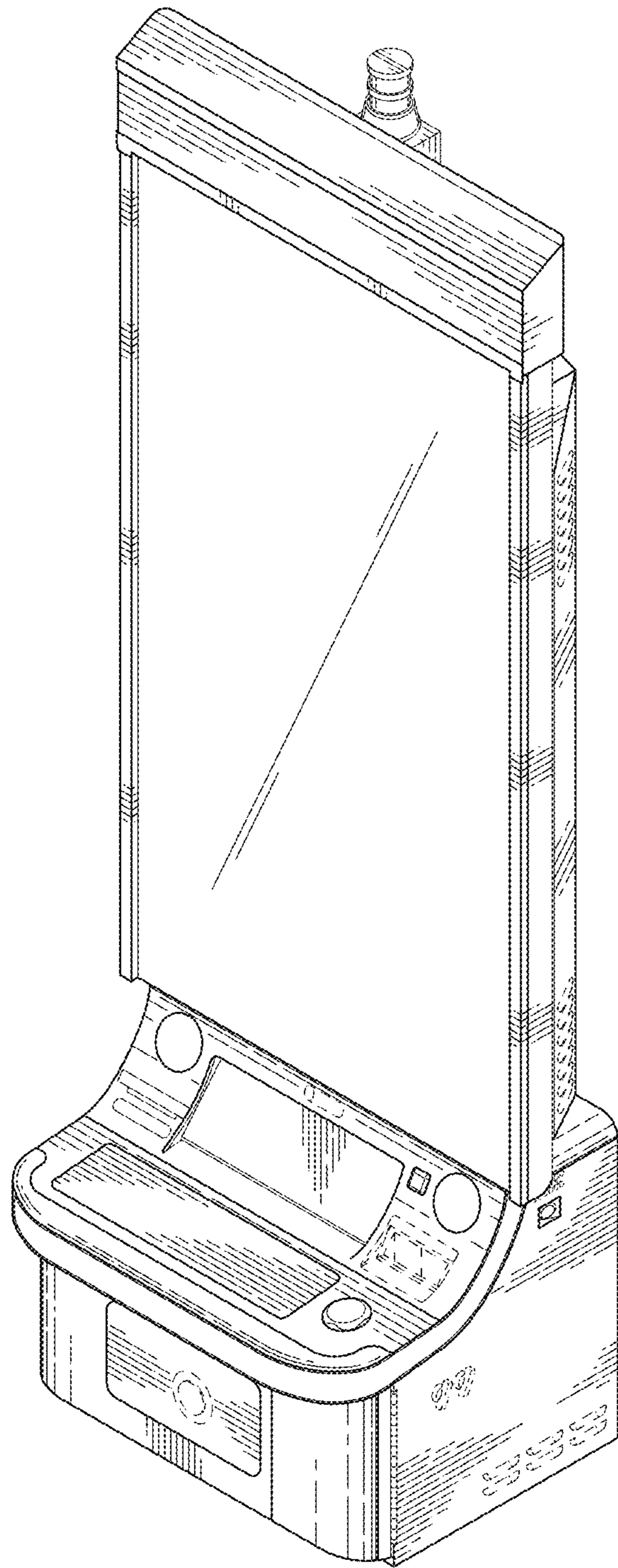


FIG. 1

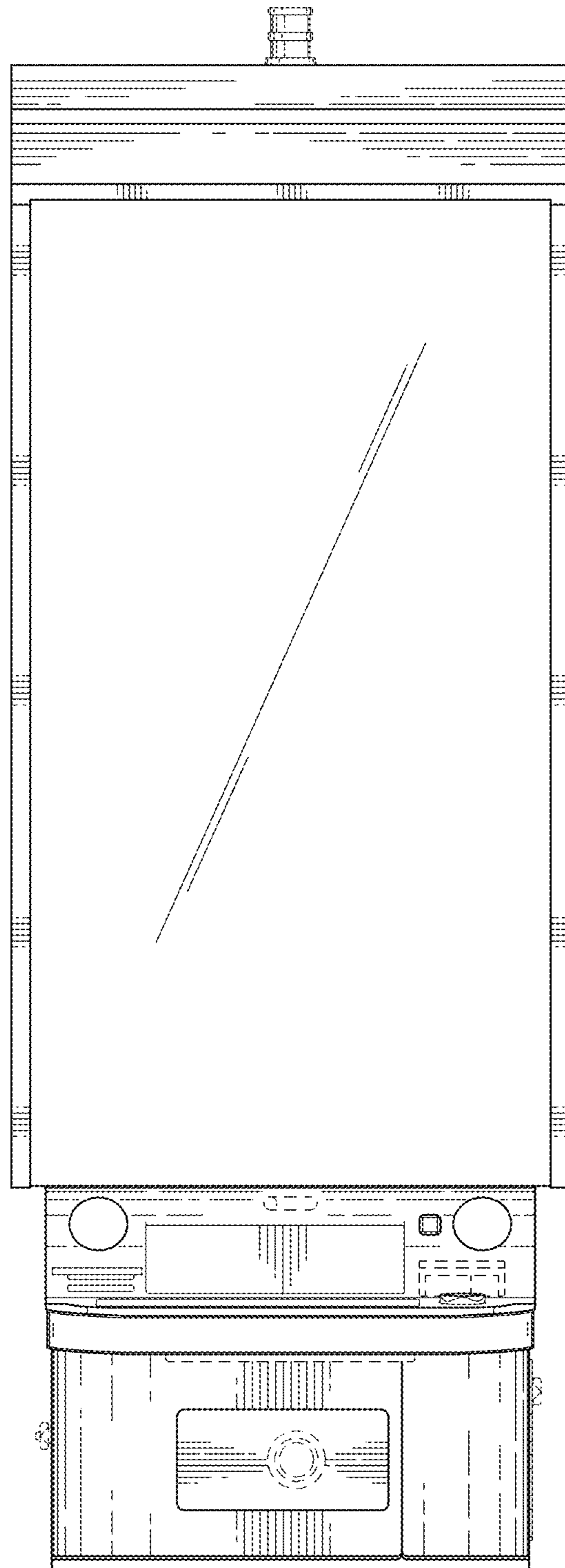


FIG. 2

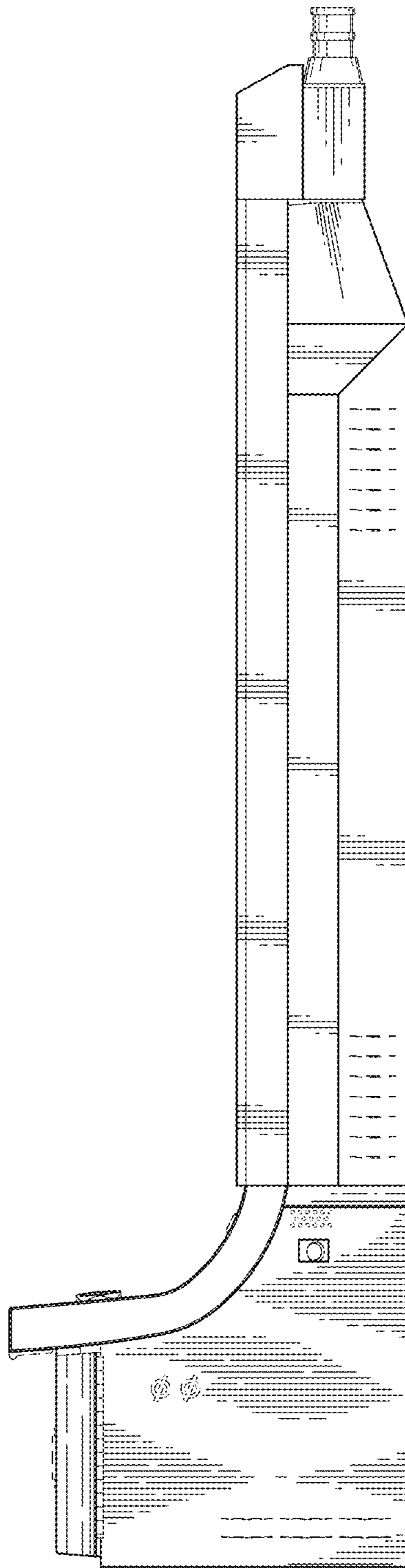


FIG. 3

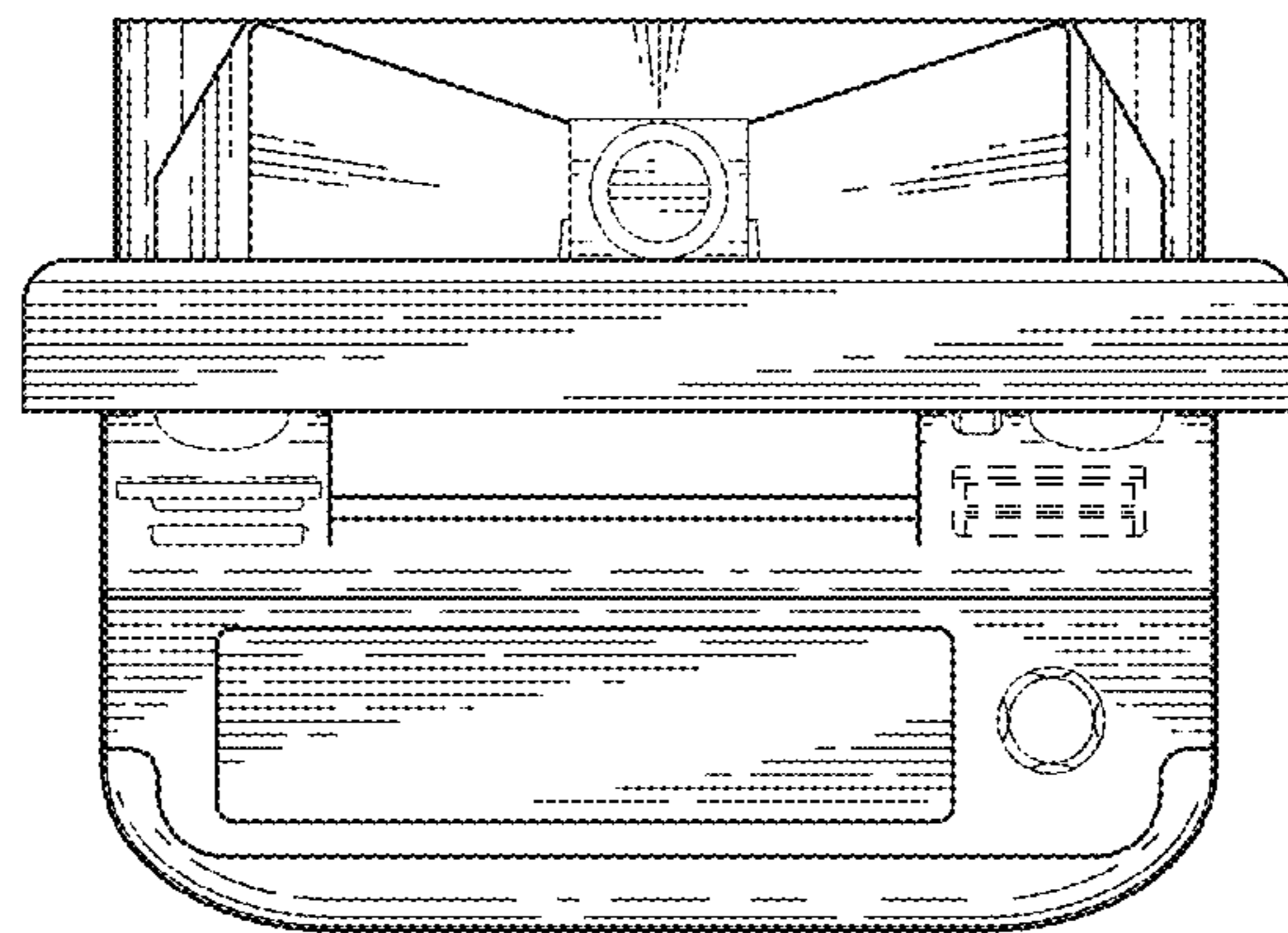


FIG. 4