

US00D86665S

(12) **United States Design Patent** (10) **Patent No.:** **US D866,665 S**
Palmer et al. (45) **Date of Patent:** **** Nov. 12, 2019**

(54) **GAME BOARD**

(71) Applicants: **Josh J. Palmer**, Willsboro, NY (US);
Kenny Alterie, Peru, NY (US)

(72) Inventors: **Josh J. Palmer**, Willsboro, NY (US);
Kenny Alterie, Peru, NY (US)

(**) Term: **15 Years**

(21) Appl. No.: **29/627,941**

(22) Filed: **Nov. 30, 2017**

(51) **LOC (12) Cl.** **21-01**

(52) **U.S. Cl.**
USPC **D21/342**; D21/335; D21/303

(58) **Field of Classification Search**

USPC D21/300–304, 324, 333–346, 365, 369,
D21/385, 392–397, 148 R, 309, 459, 460,
D21/319, 789–792; 273/342–346, 335,
273/236, 237, 238, 242, 244.2, 248–263,
273/274, 275, 277–291, 292, 398–402,
273/317, 336, 348, 407–410, 108, 331,
273/118 R, 123 R, 127 R; D10/46.1, 46;
235/90, 1 B–1 D; 463/13, 1, 46, 47;
16/225; 116/222–225, 325, 326;
473/180, 175, 179, 182, 185, 187, 569,
473/592; D6/683, 683.1, 706, 707,
D6/707.18, 707.19, 657, 661.2, 660, 672,
D6/673, 675, 675.4, 680.2, 681;
211/71.01, 73, 85, 85.17, 132.1, 60.1,
211/70.6, 70.7, 175; D7/637–641, 632,
D7/601; D19/75; 312/301, 298;
206/553; 248/37.3, 37.6; 30/298.4
CPC A63F 1/00; A63F 1/06; A63F 1/062; A63F
1/067; A63F 1/18; A63F 3/0023; A63F
3/00574; A63F 3/00006; A63F 3/00643;
A63F 3/00082; A63F 3/00097; A63F
3/00173; A63F 3/00157; A63F 3/00261;
A63F 2003/00233; A63F 2003/00946;
A63F 2003/00943; A63F 2003/0034;
A63F 2003/00583; A63F 2003/00182;
A63F 2003/0022; A63F 2003/00255;
A63F 2003/00457; A63F 2250/20; A63F

9/0093; A63F 9/24; A63F 11/0051; A63F
2011/0055; A63F 2009/245134; A63B
63/00; A63B 63/08; A63B 67/00; A63B
67/06; A63B 67/066; A63B 2063/002;
(Continued)

(56) **References Cited**

U.S. PATENT DOCUMENTS

1,072,954 A * 9/1913 Junn A63F 7/02
273/394
1,465,160 A * 8/1923 Di Luchio A63F 3/02
273/264

(Continued)

OTHER PUBLICATIONS

BeanBaglz: World's First Beanbag Tossing Game with . . . Product
description [online]. Kickstarter, PBC © 2018 [retrieved on Aug. 11,
2017]. Retrieved from the Internet: <URL: <https://www.kickstarter.com/projects/beanbagbilliards/hot-new-summer-game-cornhole-on-steroids>>.

Primary Examiner — Susan Moon Lee

(74) *Attorney, Agent, or Firm* — Cramer Patent & Design,
PLLC; Aaron R. Cramer

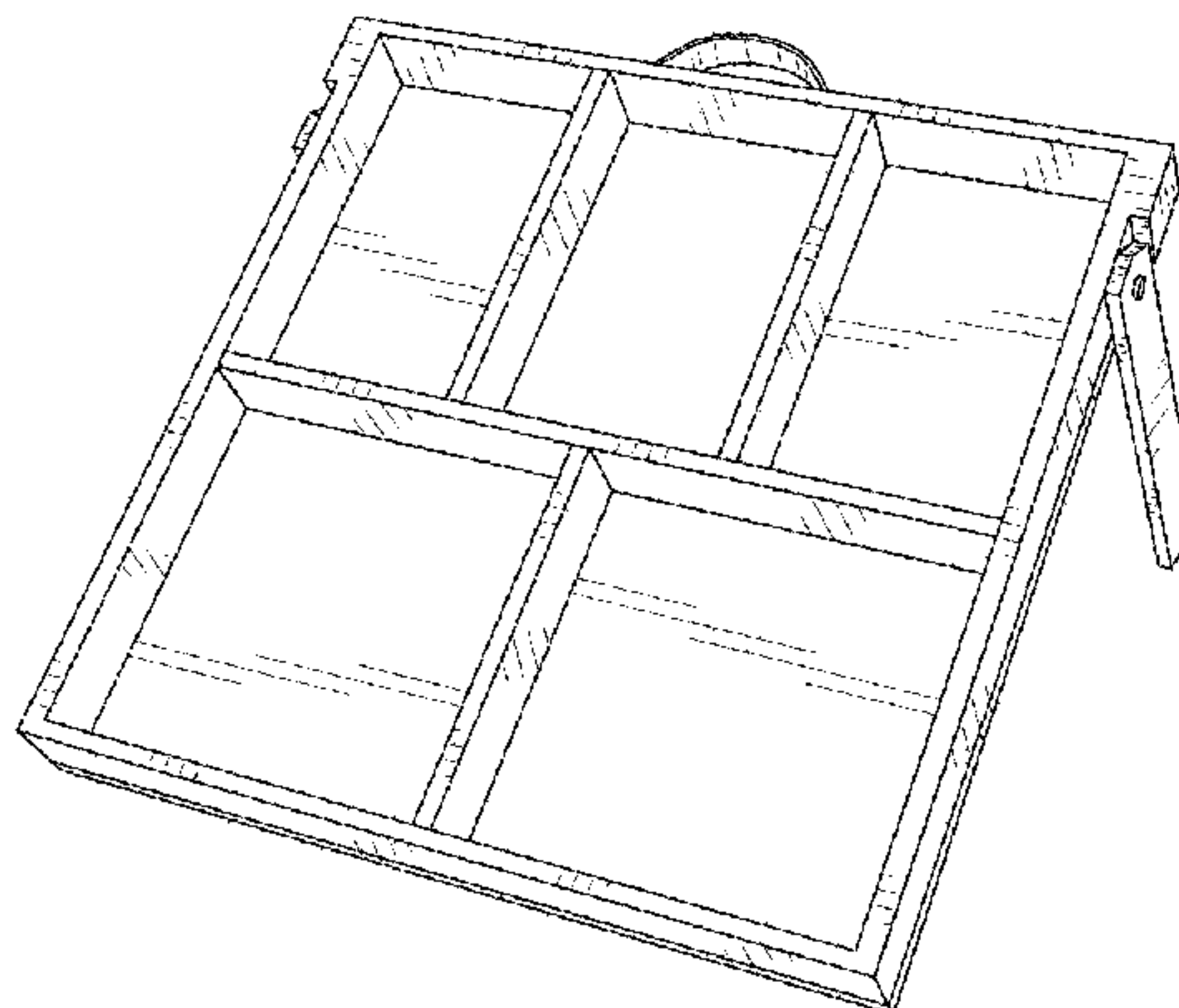
(57) **CLAIM**

The ornamental design for a game board, as shown and
described.

DESCRIPTION

FIG. 1 is a perspective top front right view of a game board,
showing our new design;
FIG. 2 is a perspective bottom rear left view thereof;
FIG. 3 is a front elevation view thereof;
FIG. 4 is a rear elevation view thereof;
FIG. 5 is a right side elevation view thereof;
FIG. 6 is a left side elevation view thereof;
FIG. 7 is a top plan view thereof; and,
FIG. 8 is a bottom plan view thereof.

1 Claim, 7 Drawing Sheets



(58) **Field of Classification Search**
 CPC A63B 2067/065; A63B 2067/063; A63B
 2067/061; A63B 2208/12; A63B 71/00;
 A47B 88/20; A47B 88/994; A47B 88/90;
 A47F 7/00; A47G 21/00; A47G 21/14;
 B26B 3/00
 See application file for complete search history.

(56) **References Cited**

U.S. PATENT DOCUMENTS

3,100,642 A * 8/1963 Goldstein A63F 3/00895
 206/579
 3,107,095 A * 10/1963 Cairns A63F 9/0204
 273/398
 3,165,317 A * 1/1965 Kirsch A63F 9/0204
 273/388
 3,351,344 A * 11/1967 Dupuy A63B 63/08
 273/400
 3,379,316 A * 4/1968 Harrell B60N 3/002
 211/73
 3,588,115 A * 6/1971 Nichols A63F 1/02
 273/271
 D226,570 S * 3/1973 Neece D21/335
 3,749,401 A * 7/1973 Hayko A63F 9/0204
 273/389
 3,778,063 A * 12/1973 Strand A63F 3/00094
 273/237
 3,990,703 A * 11/1976 Evans A63B 67/06
 273/400
 D242,654 S * 12/1976 Rawls D24/229
 4,012,042 A * 3/1977 Blasingame A63B 63/08
 273/401
 4,155,198 A * 5/1979 Kelley A01G 9/0295
 47/84
 4,331,335 A * 5/1982 Starkweather A47F 1/04
 108/32
 4,415,154 A * 11/1983 Engelhardt A63B 69/0097
 473/456
 4,826,177 A * 5/1989 Ponte A63B 43/002
 273/400
 4,982,966 A * 1/1991 Teafatiller A63B 67/06
 273/336
 D325,224 S * 4/1992 Russell D21/303

D333,492 S * 2/1993 Paredes D21/303
 D338,376 S * 8/1993 Ulber D7/637
 5,318,307 A * 6/1994 Bouchard A63B 67/06
 273/271
 5,332,230 A * 7/1994 Benedict A63B 67/06
 273/400
 5,342,057 A * 8/1994 Sorkoram A63F 9/001
 273/239
 D357,034 S * 4/1995 King D19/77
 5,468,062 A * 11/1995 Finnegan A47B 88/994
 312/301
 D425,302 S * 5/2000 Fountain, Sr. D3/283
 7,500,674 B2 * 3/2009 Riley A63B 67/06
 273/126 R
 D646,334 S * 10/2011 Ingram D21/303
 8,157,265 B2 4/2012 Conville et al.
 D693,883 S * 11/2013 Wilson, Jr. D21/303
 8,807,355 B2 * 8/2014 Meroy A47B 97/00
 211/175
 8,807,569 B1 8/2014 Davis
 9,381,414 B1 7/2016 Gattton et al.
 D768,986 S * 10/2016 Parker D3/310
 D779,854 S * 2/2017 Gollinucci D6/574
 D807,963 S * 1/2018 Zandonella D21/303
 10,071,295 B1 * 9/2018 Palmer A63B 67/06
 2006/0124647 A1 * 6/2006 Rosenberg A47B 88/994
 220/500
 2008/0237990 A1 * 10/2008 Litz A63B 67/06
 273/400
 2009/0115136 A1 * 5/2009 Voden A63B 21/0053
 273/336
 2010/0164175 A1 7/2010 Buchanan
 2012/0043723 A1 * 2/2012 Rakes A63B 63/00
 273/407
 2012/0193873 A1 * 8/2012 Sindaco A63B 63/00
 273/400
 2013/0082442 A1 * 4/2013 Hanel A63B 63/00
 273/398
 2014/0091525 A1 4/2014 Ramirez
 2015/0069708 A1 * 3/2015 Mashburn A63B 67/06
 273/400
 2015/0108719 A1 4/2015 Devine
 2015/0115532 A1 4/2015 Martinson et al.
 2016/0256758 A1 * 9/2016 Riniti A63B 67/06

* cited by examiner

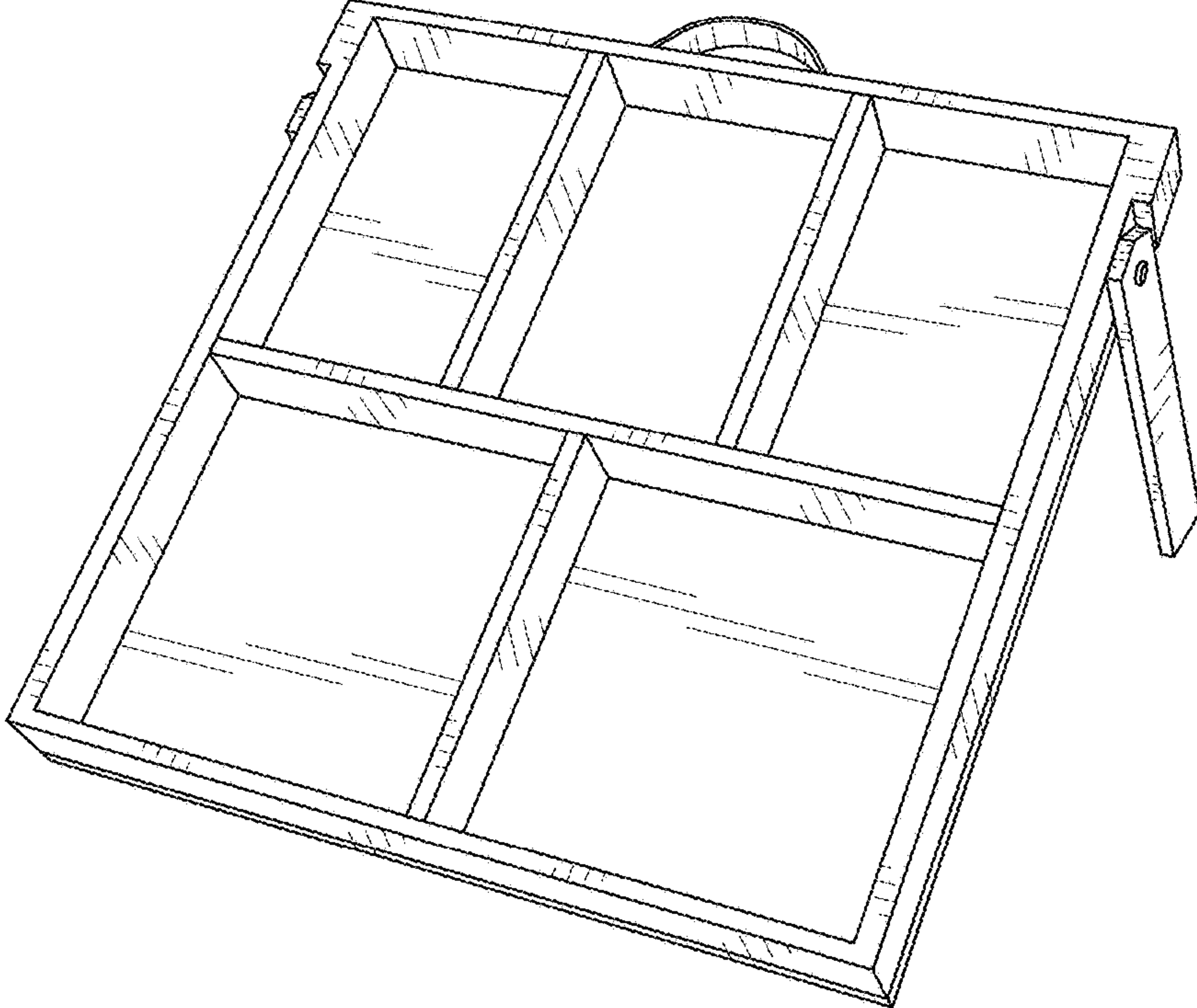


FIG. 1

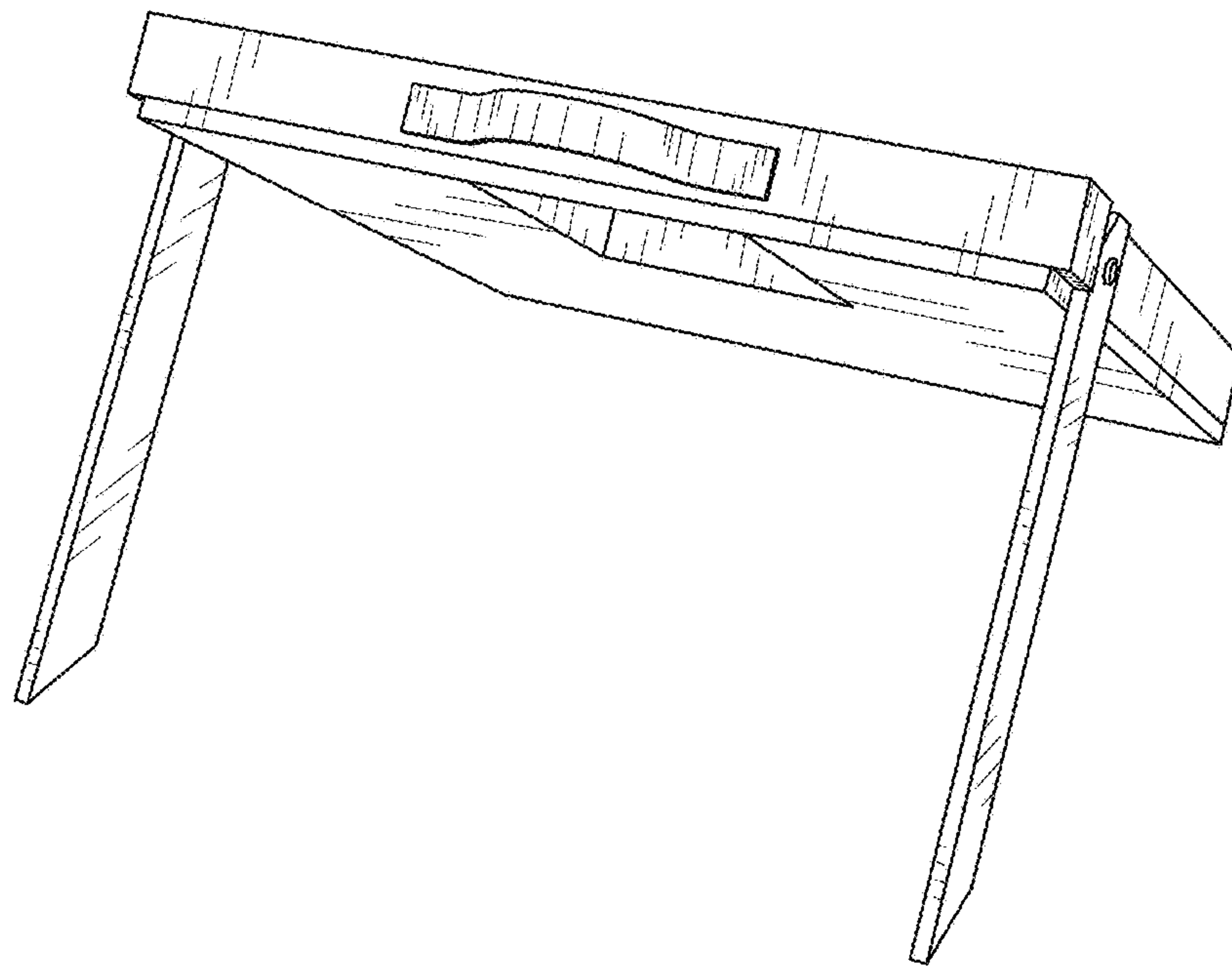


FIG. 2

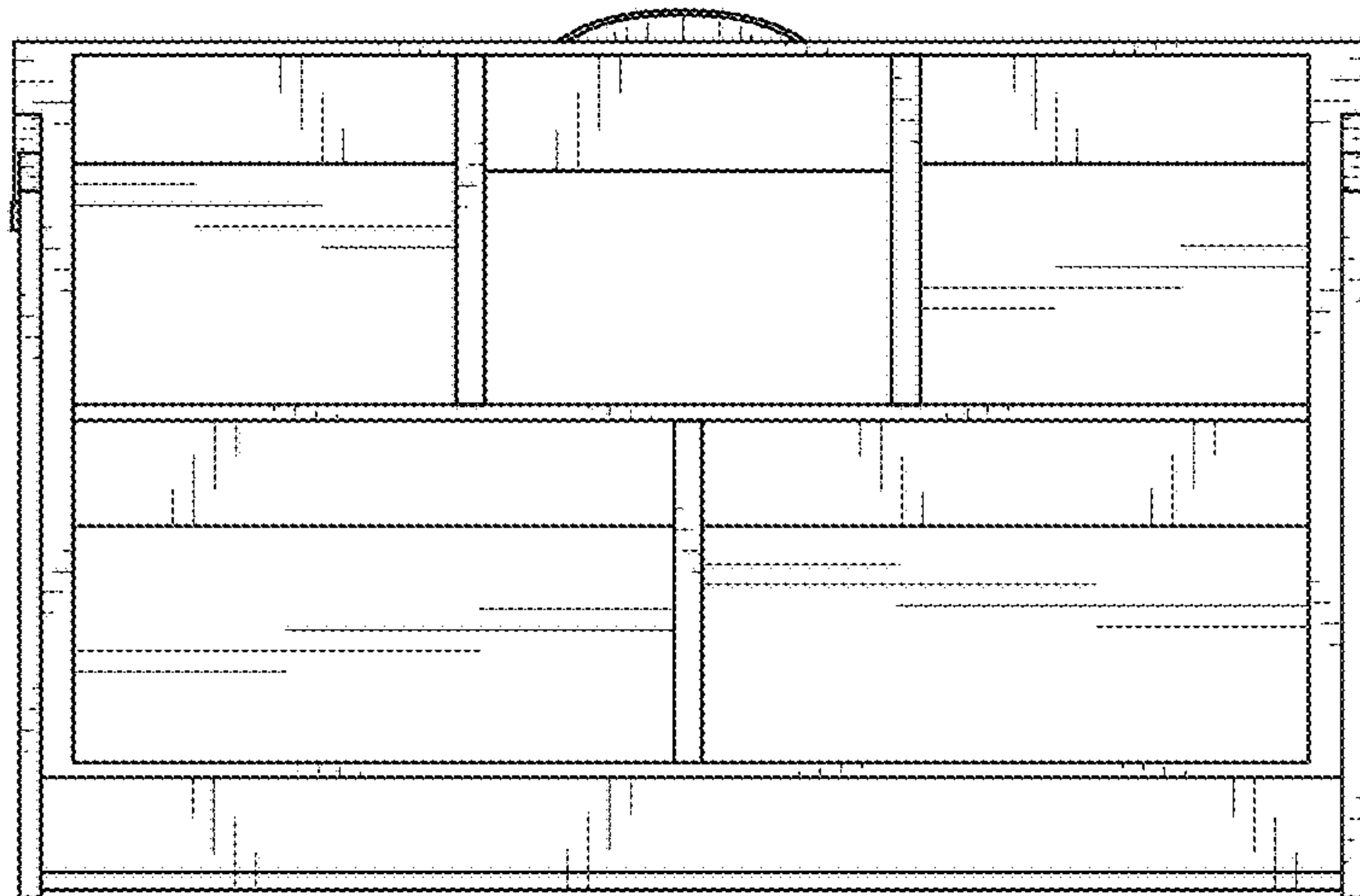


FIG. 3

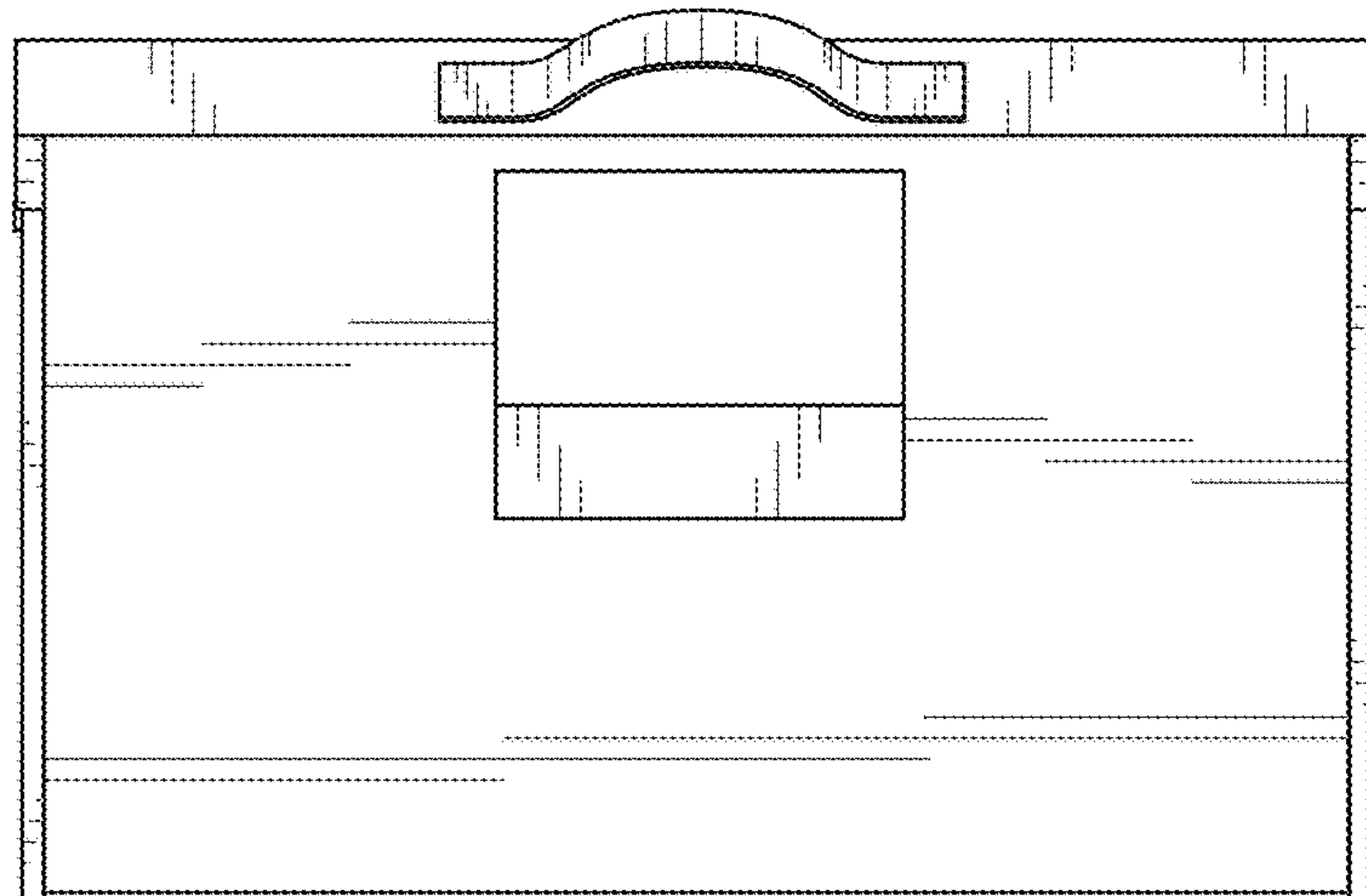


FIG. 4

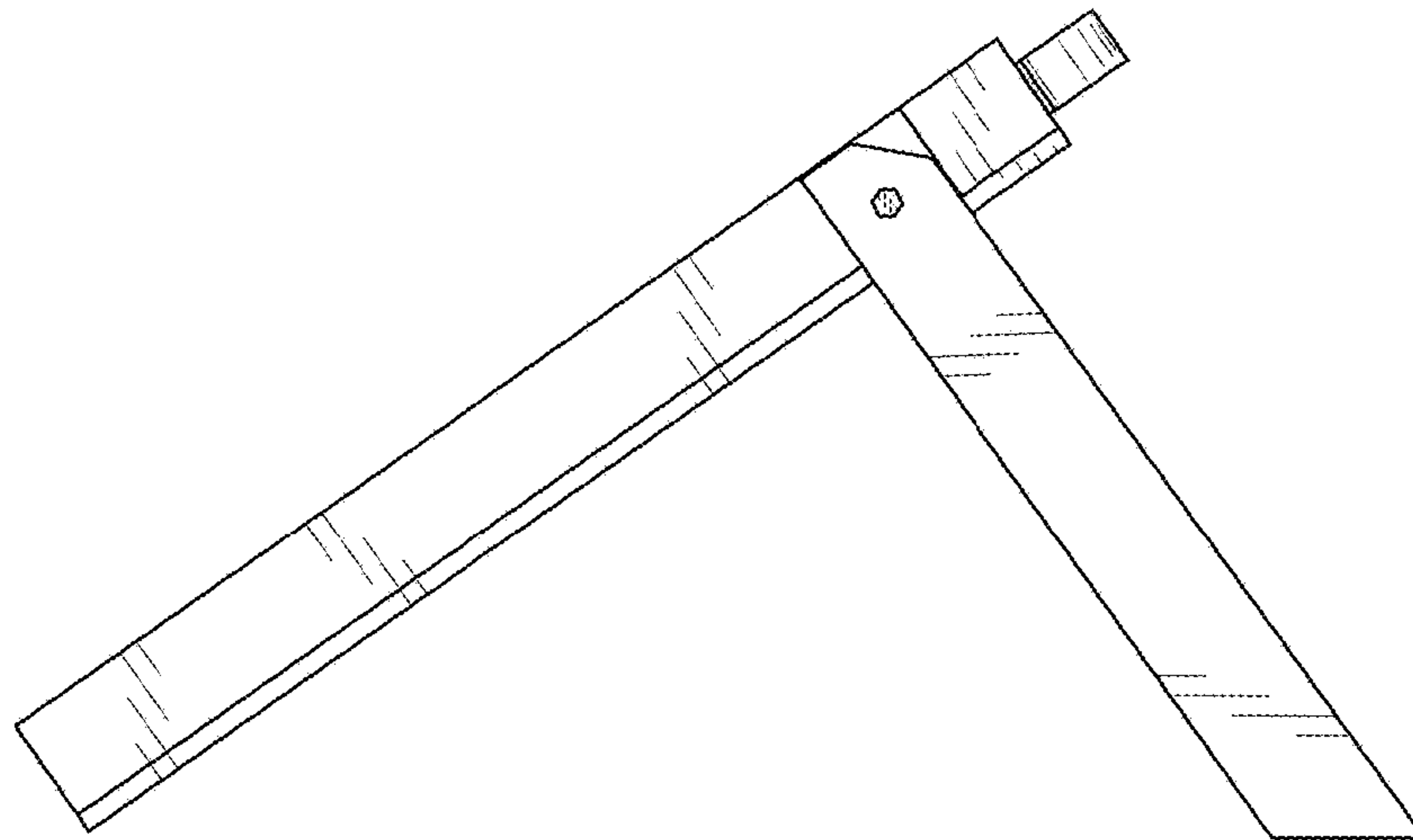


FIG. 5

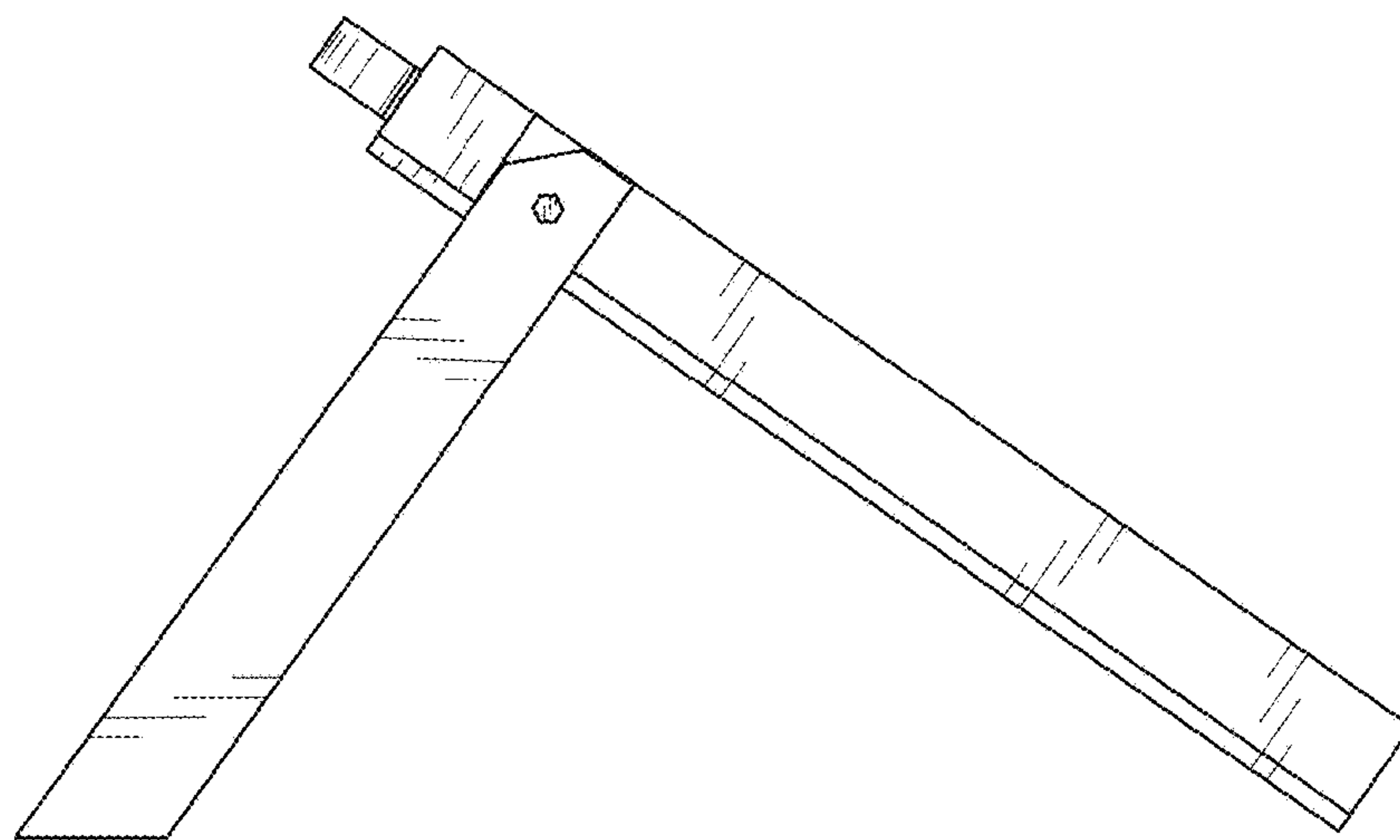


FIG. 6

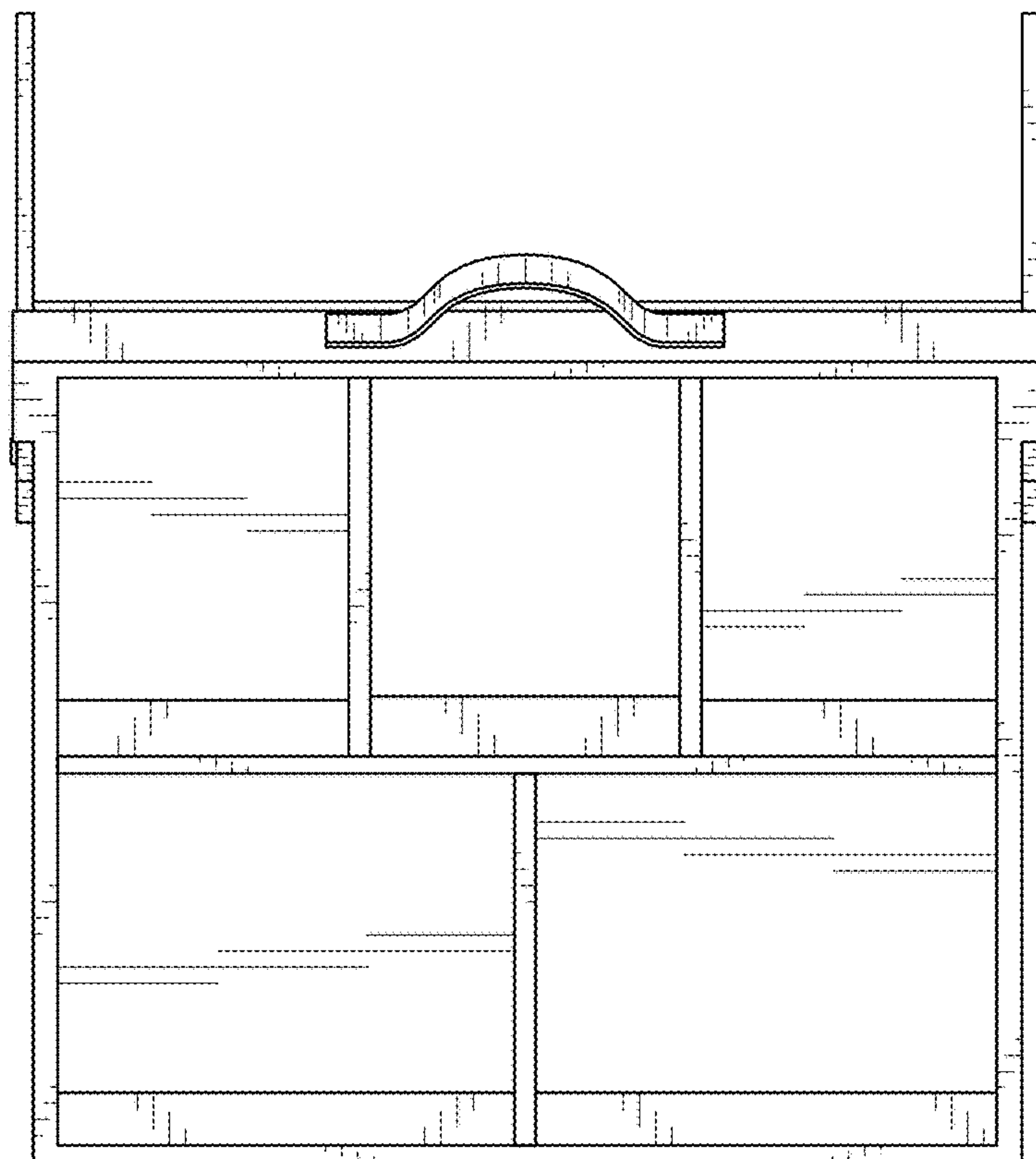


FIG. 7

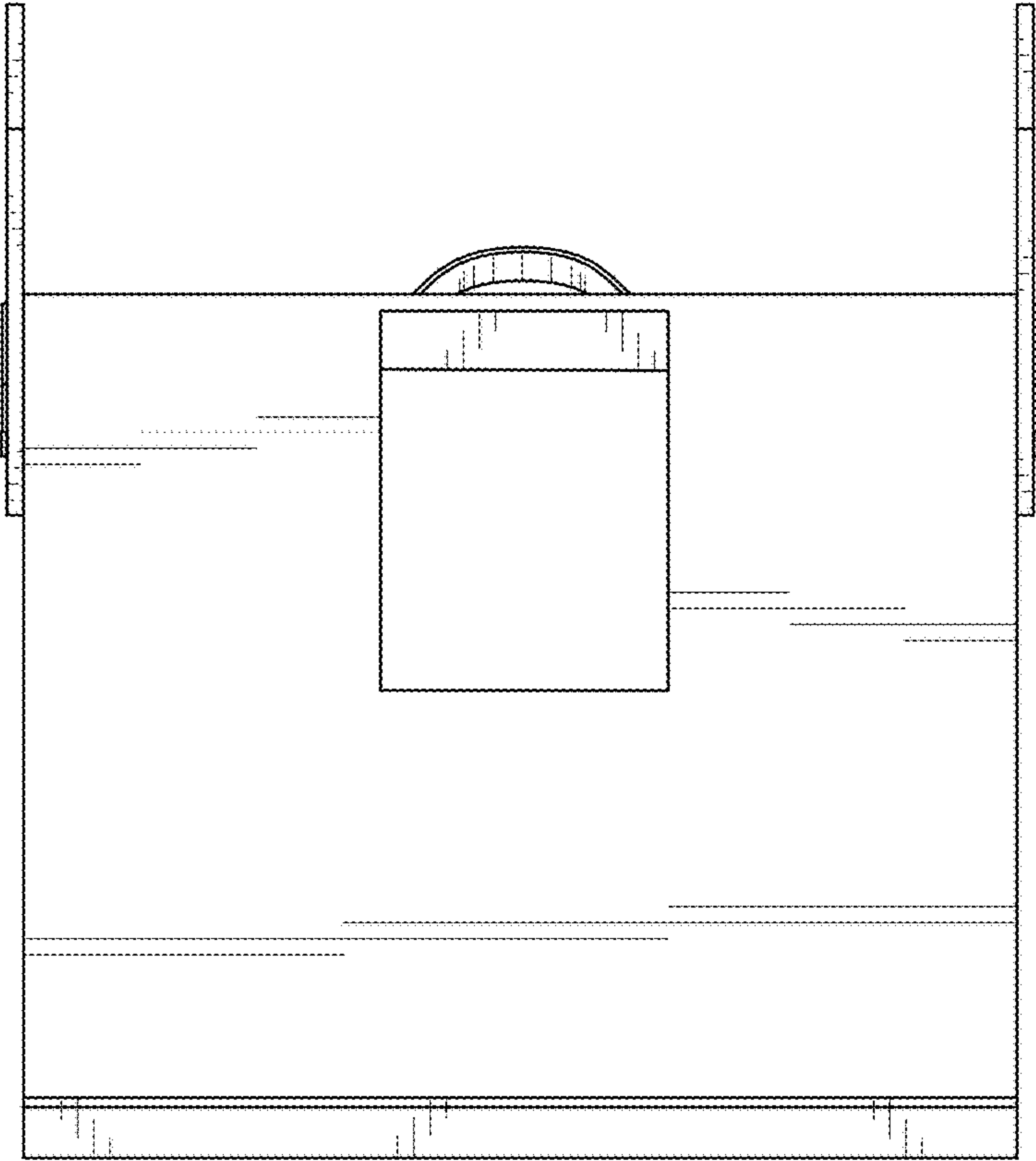


FIG. 8