

US00D86662S

(12) **United States Design Patent** (10) **Patent No.:** **US D866,662 S**
Swanick (45) **Date of Patent:** **** Nov. 12, 2019**

(54) **WRITING INSTRUMENT**

FOREIGN PATENT DOCUMENTS

(71) Applicant: **Sanford L.P.**, Atlanta, GA (US)
(72) Inventor: **Kenneth Swanick**, Arlington Heights, IL (US)

CN 1169698 A 1/1998
CN 2305294 Y 1/1999
(Continued)

(73) Assignee: **Sanford L.P.**, Atlanta, GA (US)

OTHER PUBLICATIONS

(**) Term: **15 Years**

A Guide to Sebra Sarasa® Pens. <http://www.zebraopen.com/author/editor/page/2/>, Mar. 16, 2018.

(21) Appl. No.: **29/641,068**

Primary Examiner — Elizabeth A. Albert

(22) Filed: **Mar. 19, 2018**

(74) *Attorney, Agent, or Firm* — Eversheds Sutherland (US) LLP

Related U.S. Application Data

(63) Continuation of application No. 15/833,752, filed on Dec. 6, 2017, now Pat. No. 10,272,714, and a continuation of application No. 15/833,670, filed on Dec. 6, 2017.

(57) **CLAIM**

I claim the ornamental design for a writing instrument, as shown and described.

(51) **LOC (12) Cl.** **19-06**

(52) **U.S. Cl.**
USPC **D19/174; D19/190; D19/934**

DESCRIPTION

(58) **Field of Classification Search**
USPC D19/115–204; D14/411
CPC . B43K 5/005; B43K 7/12; B43K 8/04; B43K 8/06; B43K 19/00; B43K 19/02; B43K 19/14; B43K 21/006; B43K 21/06
See application file for complete search history.

FIG. 1 is an upper perspective view showing the writing instrument of my new design;
FIG. 2 is a lower perspective view showing the writing instrument of FIG. 1;
FIG. 3 is a first side view showing the writing instrument of FIG. 1;
FIG. 4 is a second side view showing the writing instrument of FIG. 1;
FIG. 5 is a third side view showing the writing instrument of FIG. 1;
FIG. 6 is a fourth side view showing the writing instrument of FIG. 1;
FIG. 7 is a bottom view showing the writing instrument of FIG. 1; and,
FIG. 8 is a top view showing the writing instrument of FIG. 1.
In the figures, the broken lines are for illustrative purposes only and form no part of the claimed design.

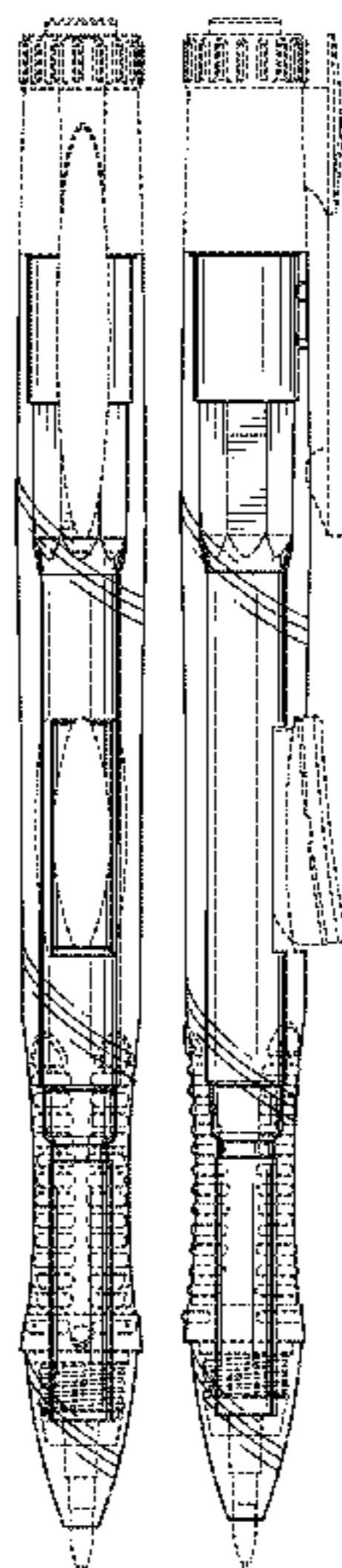
(56) **References Cited**

U.S. PATENT DOCUMENTS

1,176,909 A * 3/1916 Lane B25B 13/466
15/431
1,187,018 A * 6/1916 Sondheim B43K 21/18
401/66
1,479,885 A * 1/1924 Appler B43K 29/003
359/809
1,830,102 A * 11/1931 Felsenthal G09F 23/00
40/334
2,073,719 A * 3/1937 Ross B43K 29/12
225/44

(Continued)

1 Claim, 5 Drawing Sheets



(56)

References Cited

U.S. PATENT DOCUMENTS

2,286,878 A 6/1942 Tefft et al.
 2,337,979 A 12/1943 Dorner
 2,881,736 A 4/1959 Zepelovitch
 3,289,636 A * 12/1966 Tessier B43K 24/06
 401/116
 3,459,484 A * 8/1969 Abrams B43K 5/1845
 401/206
 3,708,235 A * 1/1973 Kolomeir B43K 21/003
 401/57
 D254,854 S * 4/1980 Texidor 401/7
 D257,857 S * 1/1981 Leuenberger D19/168
 4,270,870 A 6/1981 Hashimoto et al.
 4,833,902 A * 5/1989 Mori A44B 15/005
 206/38
 4,904,101 A 2/1990 Petterson
 5,018,891 A 5/1991 Kageyama et al.
 D394,455 S * 5/1998 Izushima D19/174
 D403,705 S * 1/1999 Izushima D19/170
 5,882,132 A 3/1999 Kageyama et al.
 D408,057 S * 4/1999 Izushima D19/174
 5,927,882 A 7/1999 Kageyama
 5,988,914 A 11/1999 Kageyama et al.
 5,988,917 A 11/1999 Kageyama et al.
 D417,891 S * 12/1999 Izushima D19/174
 6,039,484 A 3/2000 Kageyama et al.
 6,065,889 A 5/2000 Maruyama et al.
 6,082,916 A 7/2000 Kageyama et al.
 D430,207 S * 8/2000 Izushima D19/174
 D439,611 S * 3/2001 Fukami D19/117
 6,203,226 B1 3/2001 Suzuki et al.
 D440,605 S * 4/2001 Izushima D19/203
 D445,455 S * 7/2001 Saito D19/179
 D451,142 S * 11/2001 Saito D19/179
 D474,241 S * 5/2003 Hasegawa D19/174
 D477,024 S * 7/2003 Shimizu D19/170
 D477,363 S * 7/2003 Baudino D19/174
 6,729,785 B2 5/2004 Wijerama
 6,758,617 B2 7/2004 Sakaoka
 6,817,800 B2 11/2004 Sung
 6,893,179 B2 5/2005 Kageyama et al.
 6,979,142 B1 12/2005 Chmelar
 7,237,972 B2 7/2007 Kanari et al.
 7,284,927 B2 10/2007 Kageyama
 7,452,147 B2 11/2008 Rolion et al.
 D589,088 S * 3/2009 Li D19/174
 D590,882 S * 4/2009 Katami D19/187
 D611,535 S * 3/2010 Shimizu D19/174
 D621,446 S * 8/2010 Keda D19/163
 7,997,821 B2 8/2011 Saitou
 D647,137 S * 10/2011 Uchiyama D19/172
 D648,789 S * 11/2011 Shibata D19/172

D652,080 S * 1/2012 Shibata D19/172
 8,480,322 B2 7/2013 Wang
 8,734,040 B2 5/2014 Roberts et al.
 8,905,665 B2 12/2014 Chang
 8,915,663 B2 12/2014 Rolion et al.
 9,114,922 B2 8/2015 Kageyama et al.
 9,199,045 B2 12/2015 Banik
 D846,640 S * 4/2019 Nakazawa D19/174
 2001/0016140 A1 8/2001 Kageyama et al.
 2001/0018004 A1 8/2001 Kageyama et al.
 2004/0047669 A1 3/2004 Lo
 2004/0221422 A1 11/2004 Aiguo
 2007/0134046 A1 6/2007 Rolion et al.
 2007/0223986 A1 9/2007 Franck
 2012/0003026 A1 1/2012 Geddes et al.
 2014/0003855 A1 1/2014 Chang
 2015/0063893 A1 3/2015 Oomoto et al.
 2015/0184003 A1 * 7/2015 Li B43K 7/12
 401/109

FOREIGN PATENT DOCUMENTS

CN 2604327 Y 2/2004
 CN 2691873 Y 4/2005
 CN 1919618 A 2/2007
 CN 2892487 Y 4/2007
 CN 2925911 Y 7/2007
 CN 200977791 Y 11/2007
 CN 201102391 Y 8/2008
 CN 201201412 Y 3/2009
 CN 201371648 Y 12/2009
 CN 201511687 U 6/2010
 CN 201755969 U 3/2011
 CN 101585280 B 6/2011
 CN 102390197 A 3/2012
 CN 202573415 U 12/2012
 CN 204136633 U 2/2015
 CN 204236067 U 4/2015
 DE 357559 C 8/1922
 DE 1289458 B 2/1969
 DE 2821445 A1 11/1979
 EP 0850784 A2 7/1998
 EP 0976578 B1 7/2003
 FR 2874534 A1 3/2006
 JP 10109498 4/1998
 JP H0-329484 A 12/1998
 JP 2000-1087 A 1/2000
 KR 2001-0075812 A 8/2001
 WO 02/102604 A1 12/2002
 WO 2003/004285 A1 1/2003
 WO 2011/025047 A1 3/2011
 WO 2012/023667 A1 2/2012

* cited by examiner

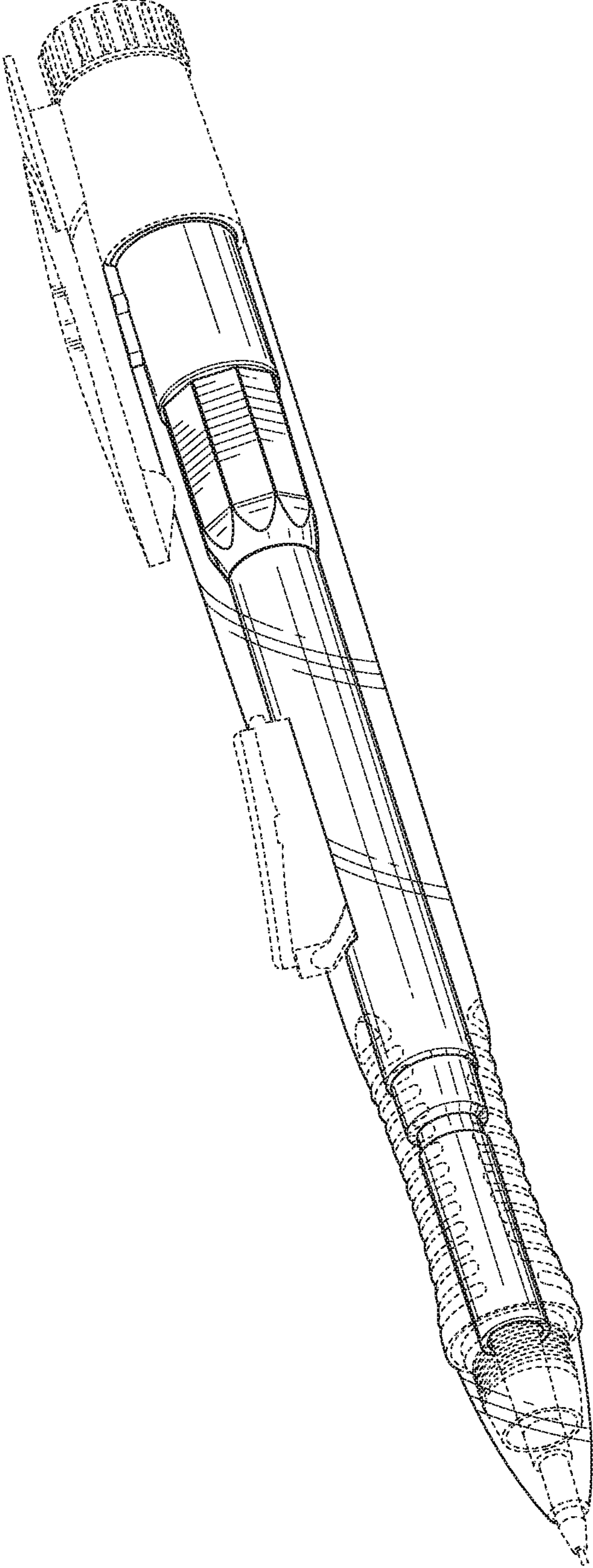


FIG. 1

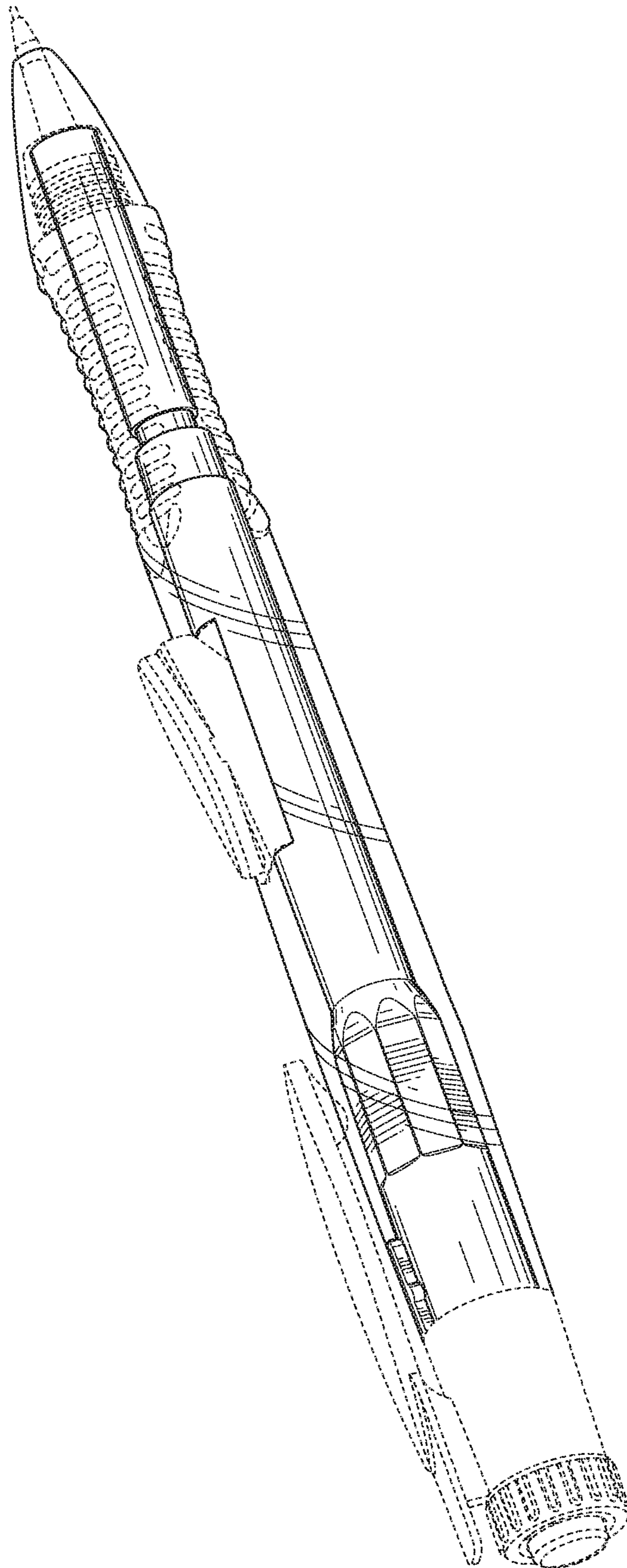


FIG. 2

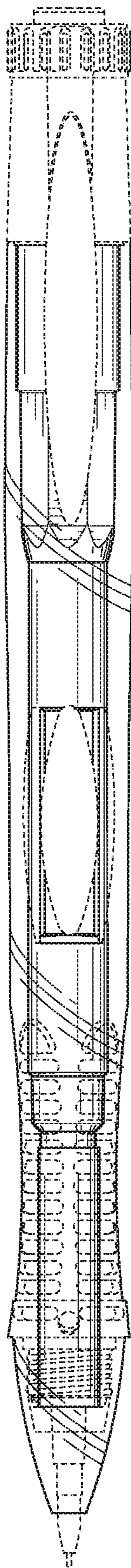


FIG. 3

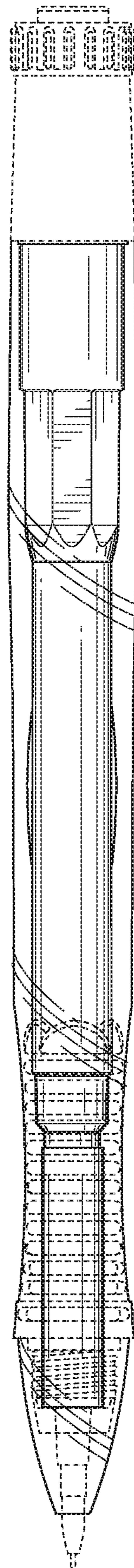


FIG. 4

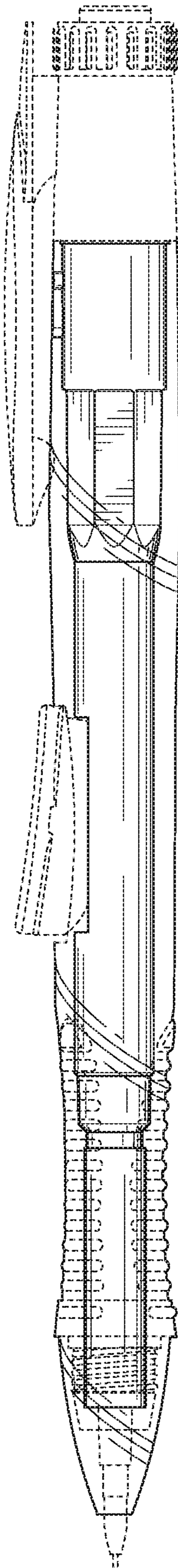


FIG. 5

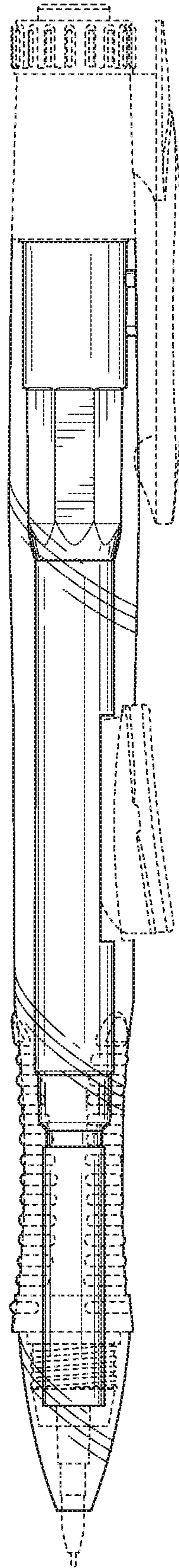


FIG. 6

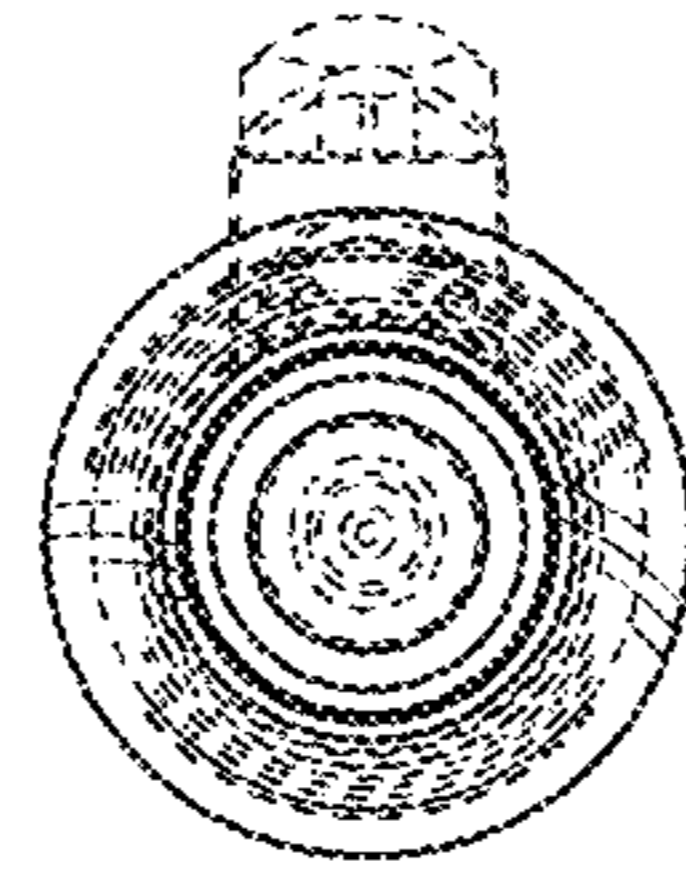


FIG. 7

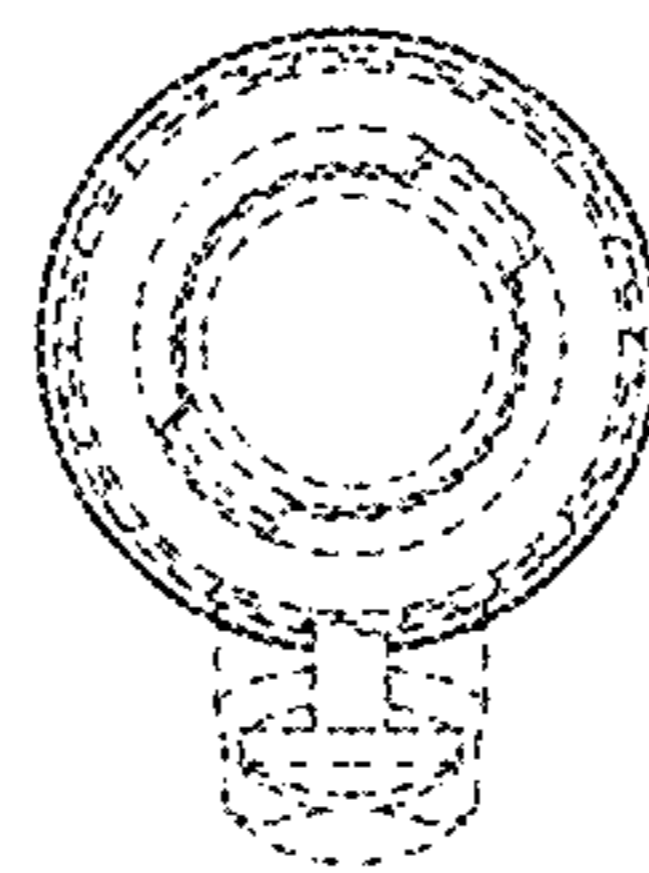


FIG. 8