



US00D866659S

(12) **United States Design Patent** (10) **Patent No.:** **US D866,659 S**
Sunagawa (45) **Date of Patent:** **** Nov. 12, 2019**

(54) **PORTION OF A CONTAINER FOR AN INK CARTRIDGE**

(71) Applicant: **RISO KAGAKU CORPORATION**,
Tokyo (JP)

(72) Inventor: **Hiroyuki Sunagawa**, Ibaraki (JP)

(73) Assignee: **RISO KAGAKU CORPORATION**,
Tokyo (JP)

(**) Term: **15 Years**

(21) Appl. No.: **29/613,318**

(22) Filed: **Aug. 9, 2017**

(30) **Foreign Application Priority Data**

Feb. 14, 2017 (JP) 2017-002759

(51) **LOC (12) Cl.** **14-02**

(52) **U.S. Cl.**
USPC **D18/56**

(58) **Field of Classification Search**
USPC D18/56, 18, 99
CPC . B41J 2/17; B41J 2/1721; B41J 2/1572; B41J
2/1574; B41J 15/044
See application file for complete search history.

(56) **References Cited**

U.S. PATENT DOCUMENTS

D528,598 S	*	9/2006	Ishizawa	347/86
D533,899 S	*	12/2006	Ohashi	D18/56
D656,540 S	*	3/2012	Oya	D18/56
D667,492 S	*	9/2012	Urabe	D18/56
D667,493 S	*	9/2012	Kobayashi	D18/56
D677,722 S	*	3/2013	Mizuno	D18/56

FOREIGN PATENT DOCUMENTS

JP	1212744	7/2004
JP	1219695	10/2004
JP	1219696	10/2004
JP	1231273	2/2005

(Continued)

OTHER PUBLICATIONS

U.S. Appl. No. 29/613,313 to Hiroyuki Sunagawa, filed Aug. 9, 2017.

Primary Examiner — Catherine R Oliver-Garcia

Assistant Examiner — J. Thorn, Sr.

(74) *Attorney, Agent, or Firm* — Greenblum & Bernstein, P.L.C.

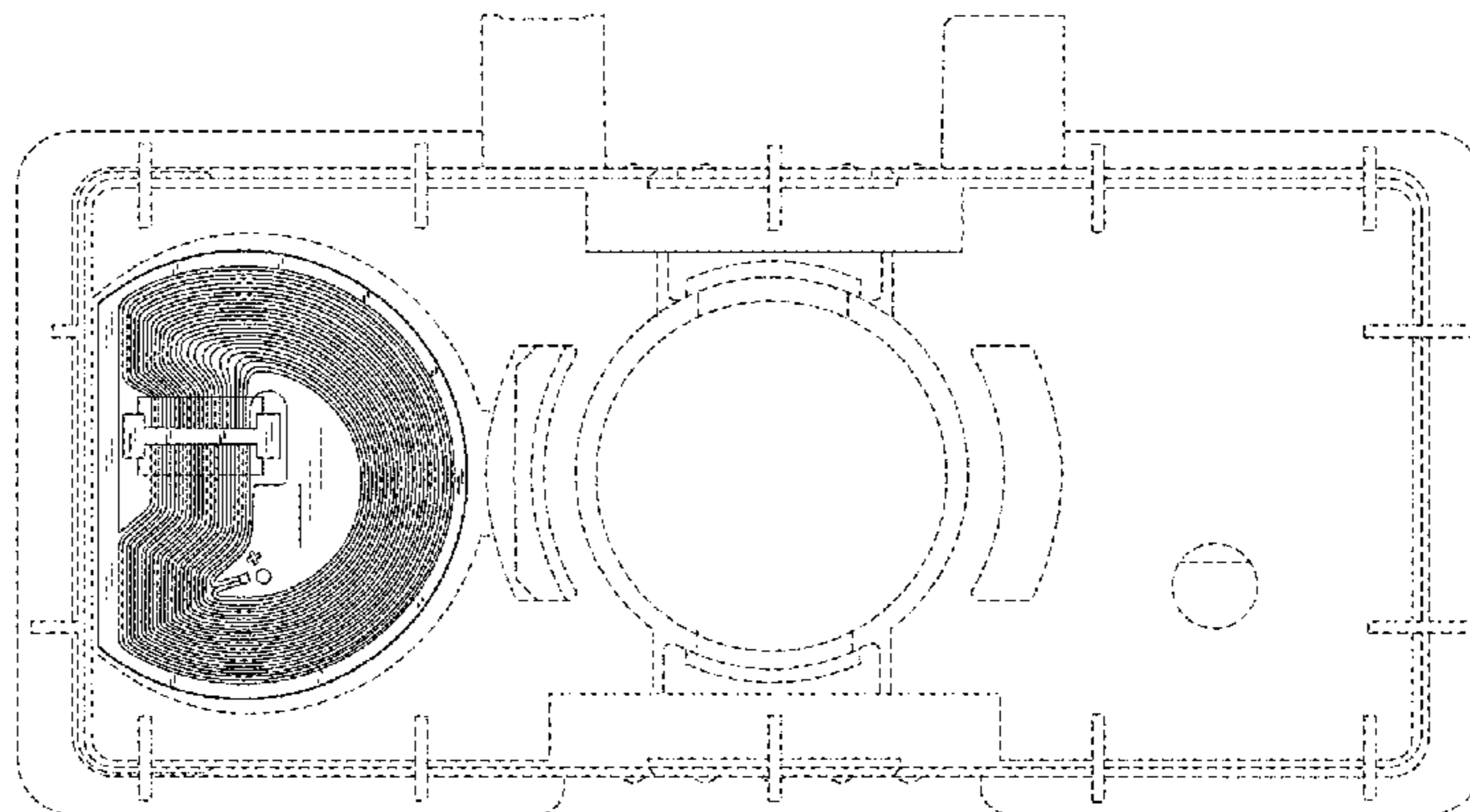
(57) **CLAIM**

I claim the ornamental design for a portion of a container for an ink cartridge, as shown and described.

DESCRIPTION

FIG. 1 is a perspective view of a portion of a container for an ink cartridge;
FIG. 2 is a front view thereof;
FIG. 3 is a rear view thereof;
FIG. 4 is a left side view thereof;
FIG. 5 is a right side view thereof;
FIG. 6 is a top plan view thereof;
FIG. 7 is a bottom plan view thereof;
FIG. 8 is a sectional view indicated in FIG. 4 thereof;
FIG. 9 is an enlarged front view of cover thereof;
FIG. 10 is an enlarged rear view of cover thereof, showing my new design;
FIG. 11 is an enlarged left side view of cover thereof;
FIG. 12 is an enlarged right side view of cover thereof;
FIG. 13 is an enlarged plan view of cover thereof; and,
FIG. 14 is an enlarged bottom plan view of cover thereof.
The broken line portion of the figure drawings is included to show environmental structure that forms no part of the claimed design.
All elements of the claimed design are flat.

1 Claim, 6 Drawing Sheets



(56)

References Cited

FOREIGN PATENT DOCUMENTS

JP	1231716	2/2005
JP	1366271	8/2009
JP	1366272	8/2009

* cited by examiner

Fig.1

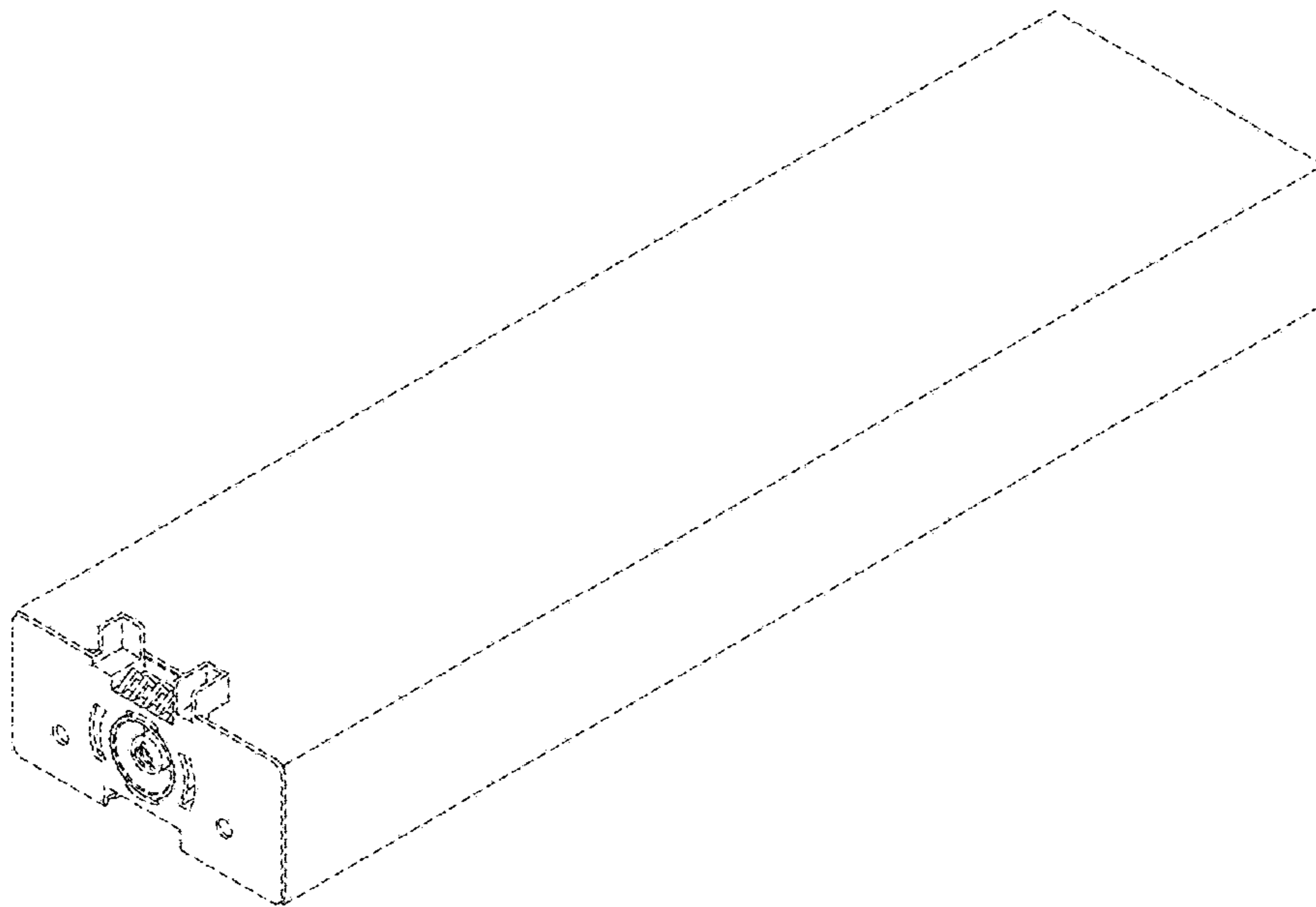


Fig.2

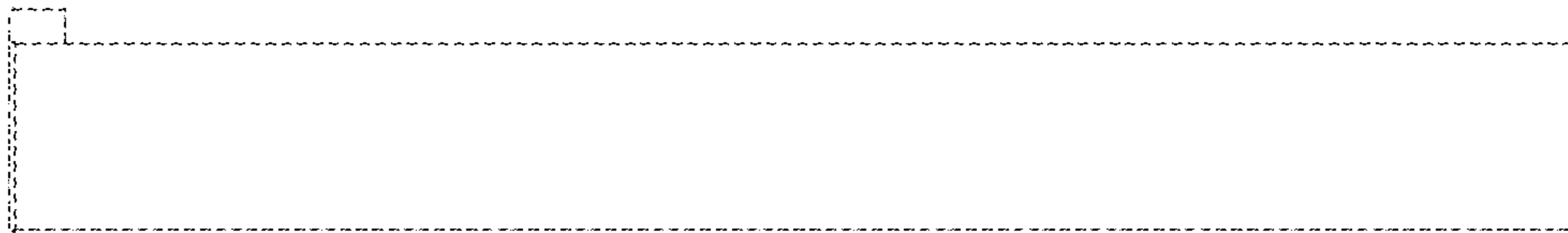


Fig.3

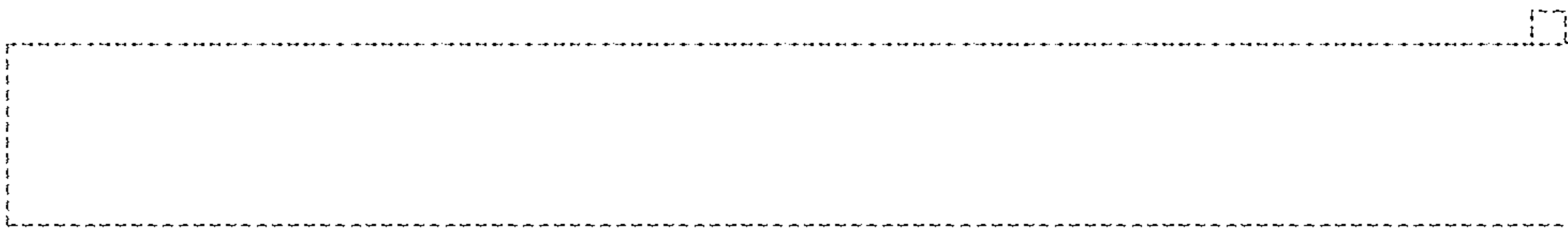


Fig.4

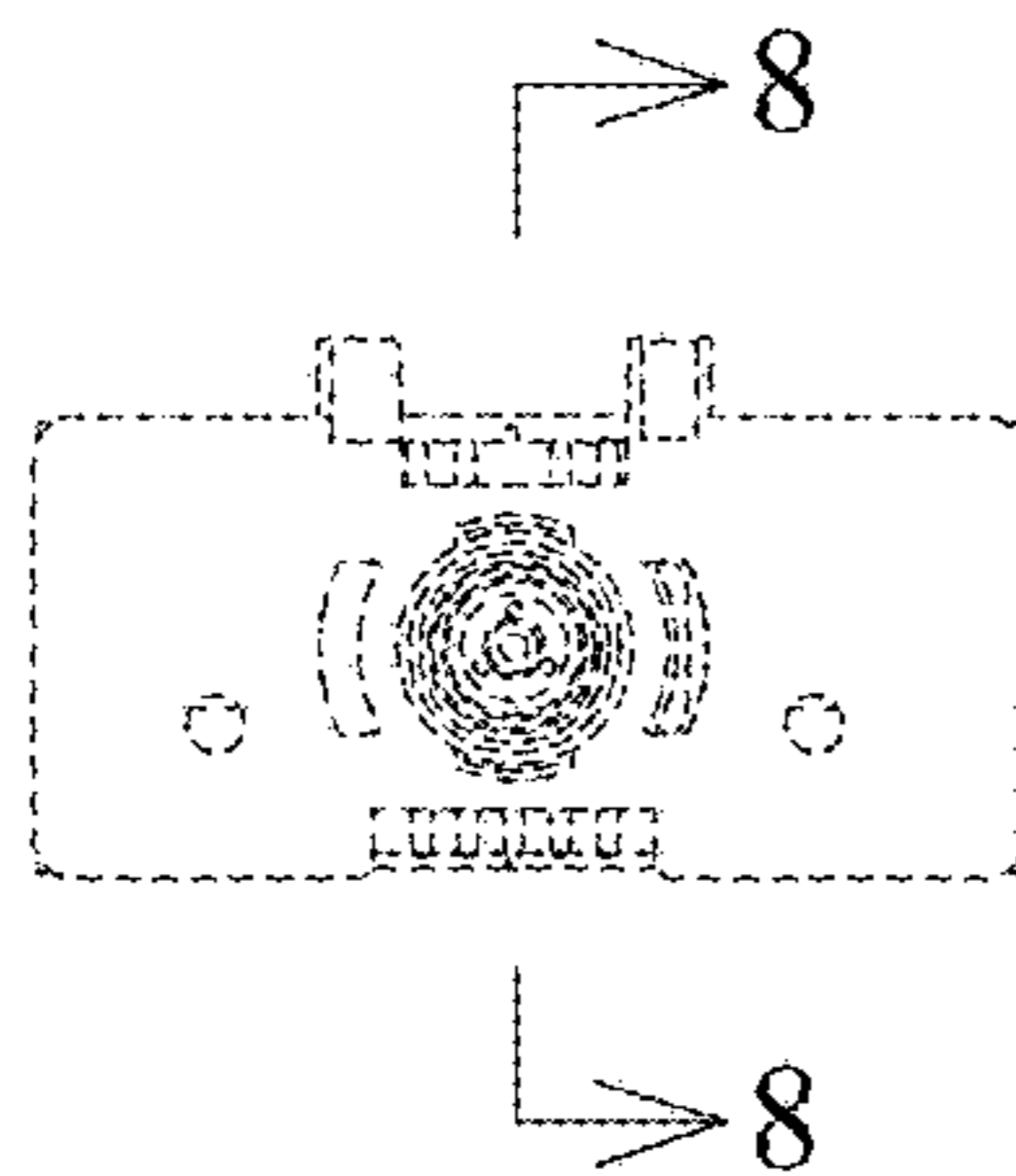


Fig.5

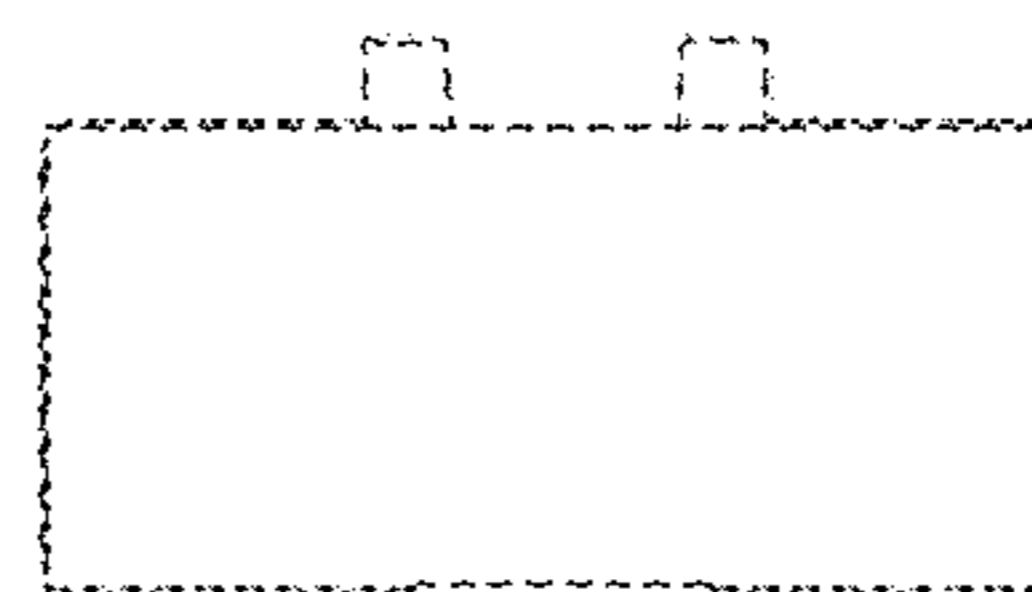


Fig.6



Fig.7



Fig.8

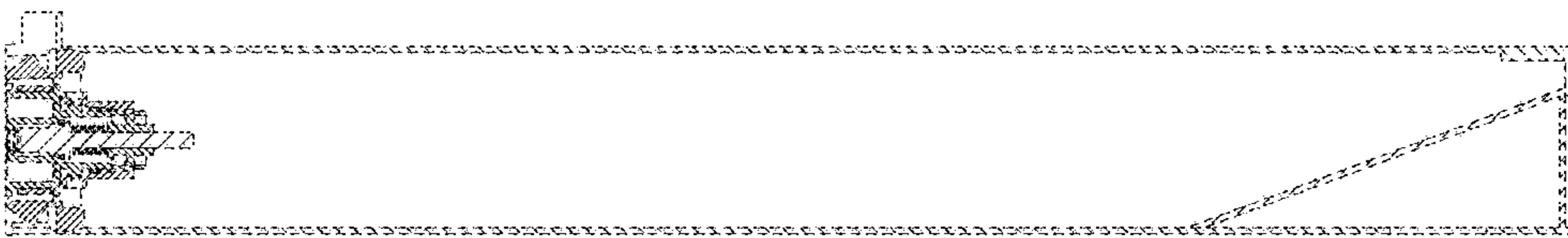


Fig.9

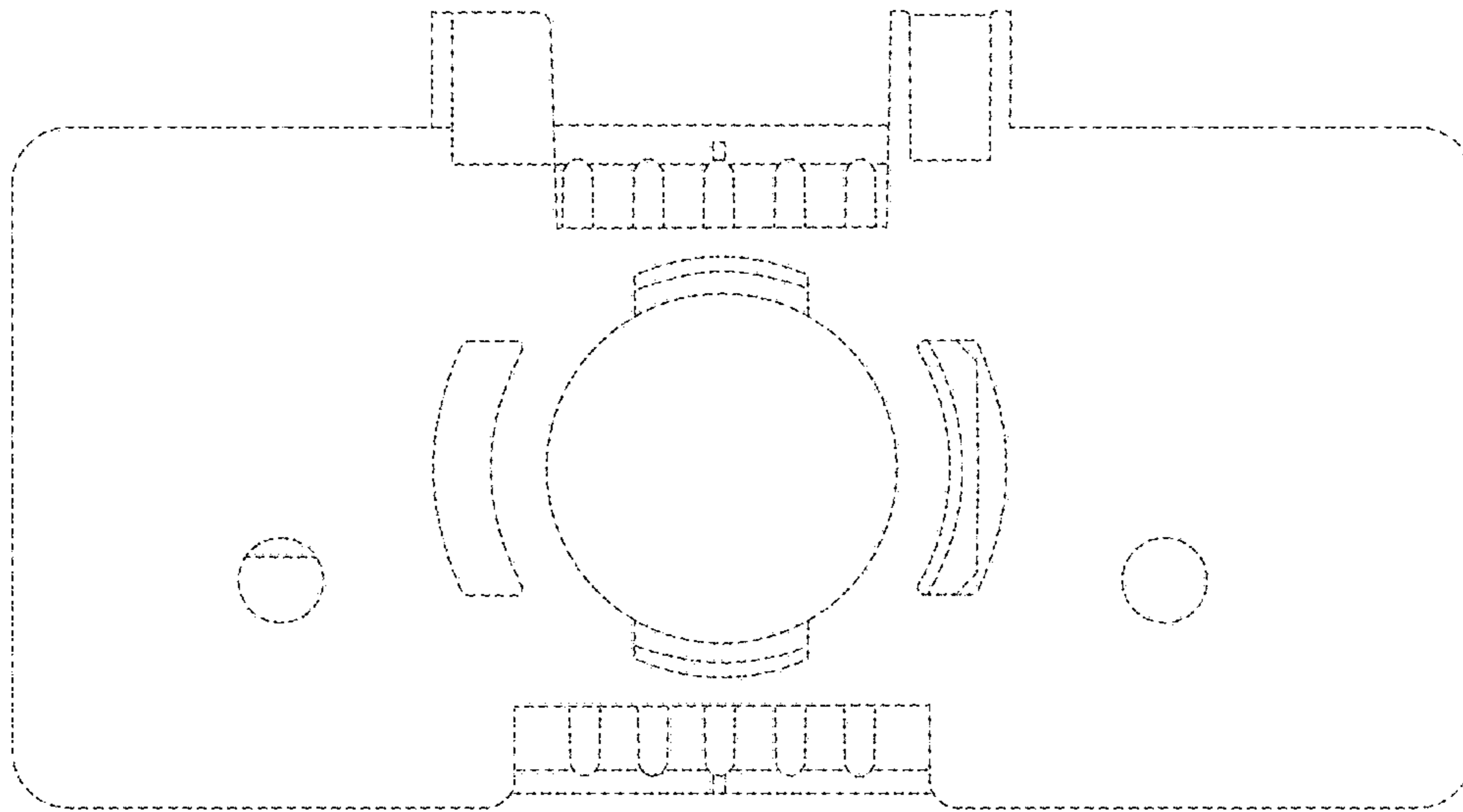


Fig.10

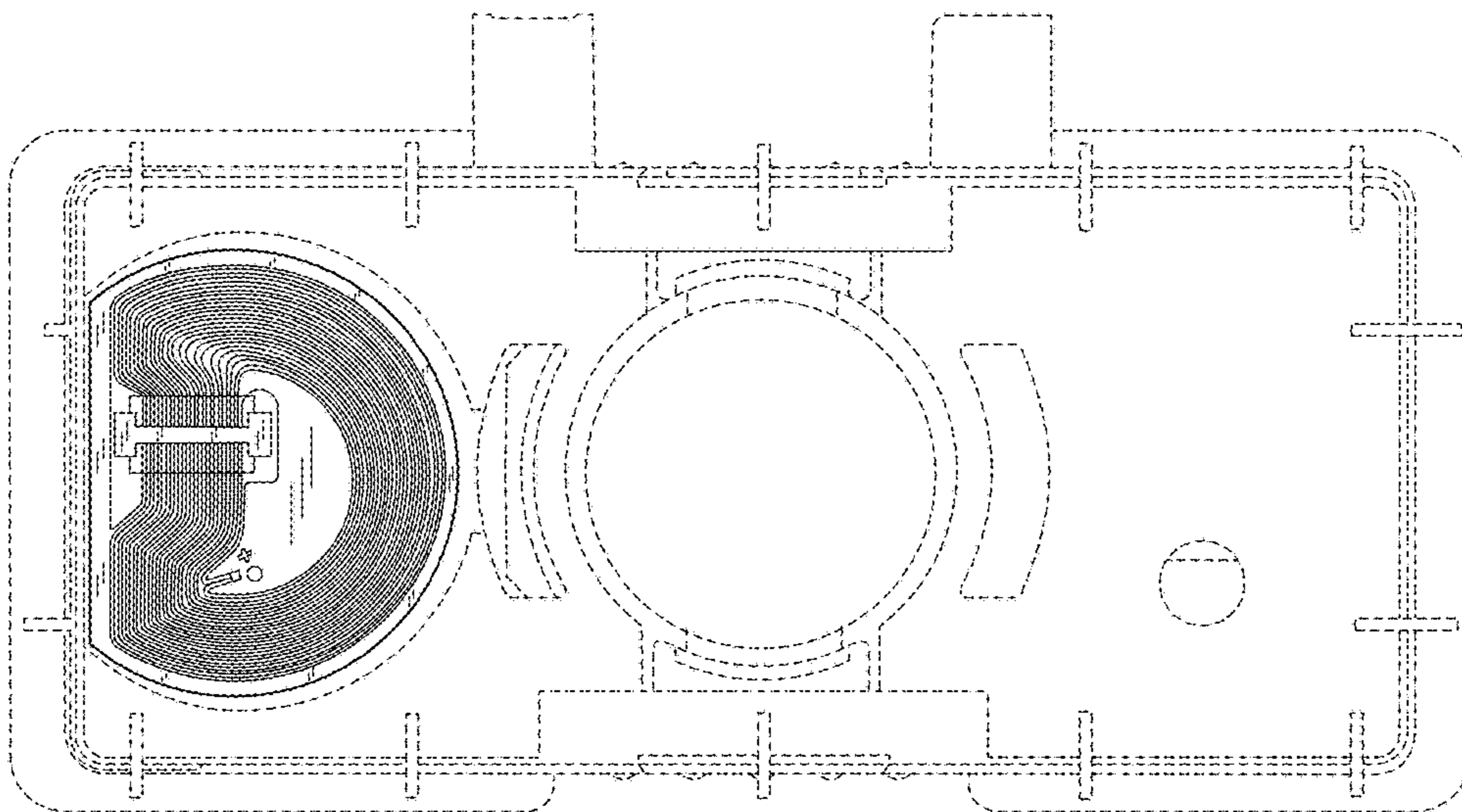


Fig.11

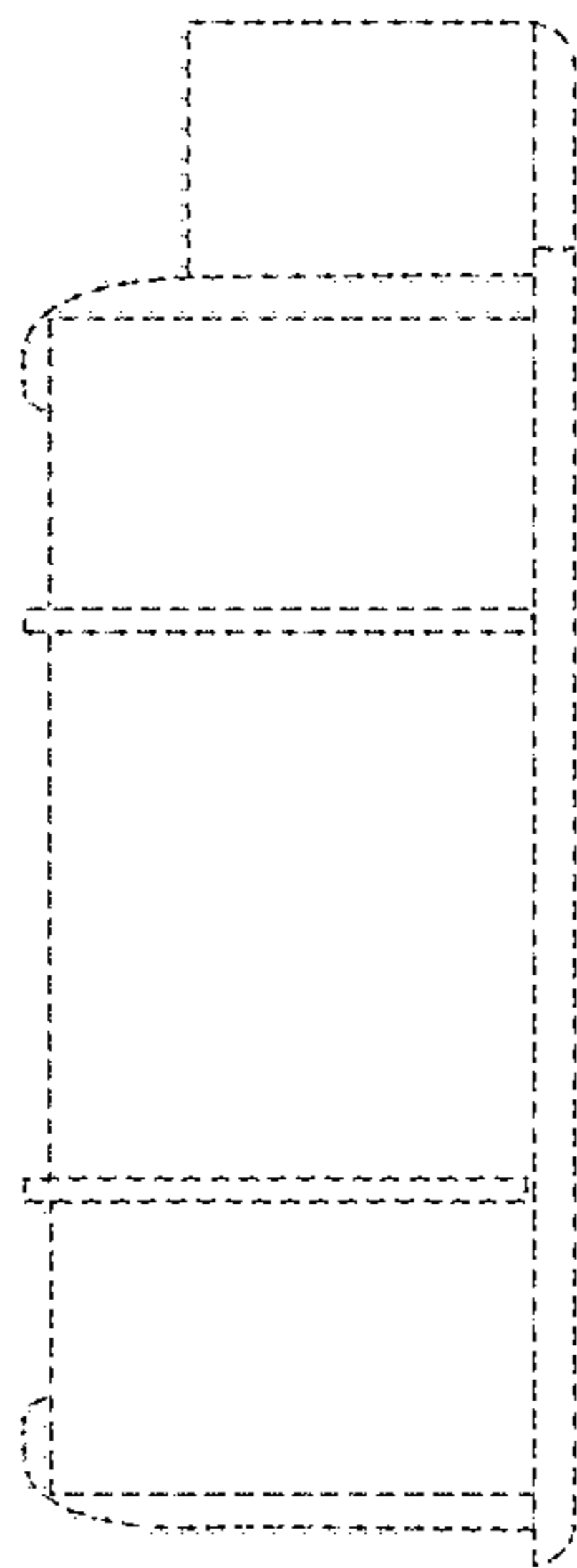


Fig.12

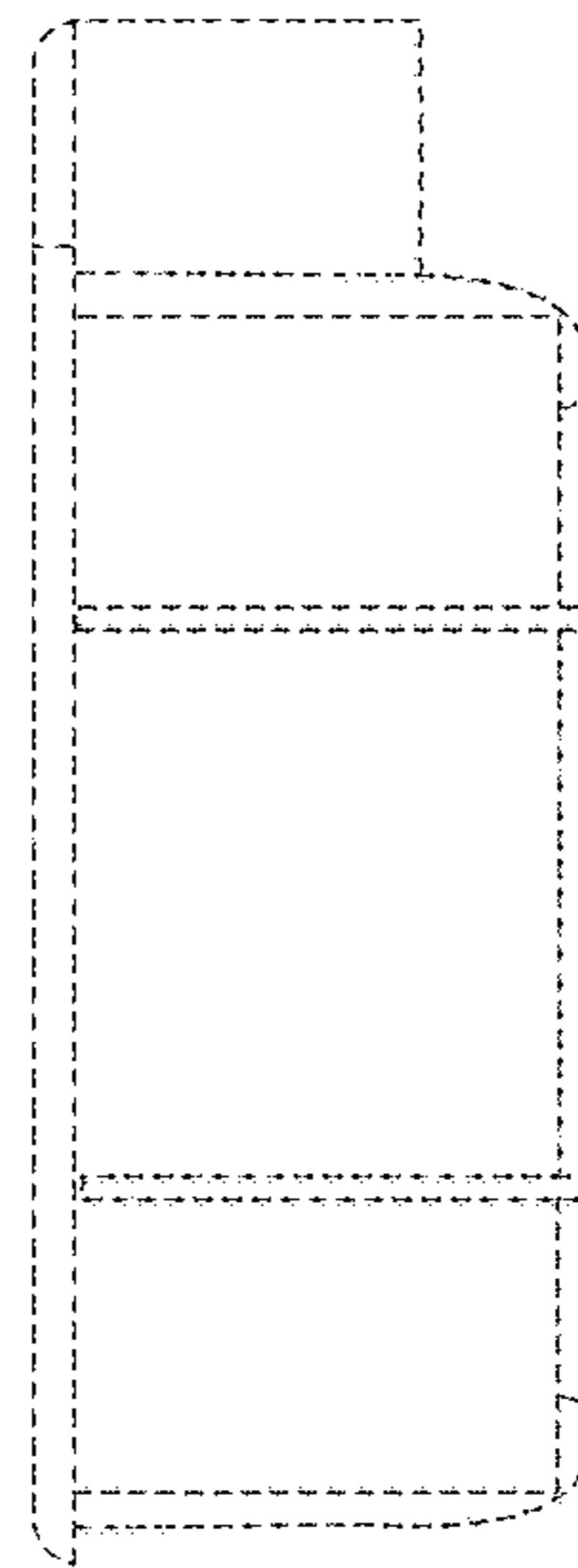


Fig.13

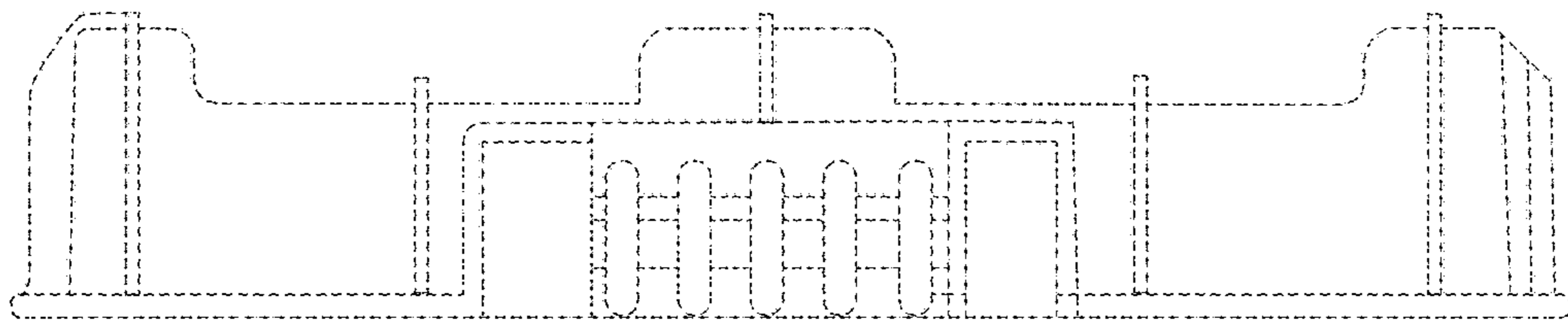


Fig.14

