



US00D86652S

(12) **United States Design Patent**  
**Boerner**

(10) **Patent No.:** **US D866,652 S**

(45) **Date of Patent:** **\*\* Nov. 12, 2019**

(54) **ELECTRONIC PIANO**

D554,692 S \* 11/2007 Utsunomiya ..... D17/1  
D571,848 S \* 6/2008 Sato ..... D17/1  
D719,211 S \* 12/2014 Sawada ..... D17/1

(71) Applicant: **YAMAHA CORPORATION**,  
Hamamatsu-shi (JP)

\* cited by examiner

(72) Inventor: **Marco Boerner**, Hamamatsu (JP)

*Primary Examiner* — R. Johnson

(73) Assignee: **YAMAHA CORPORATION**,  
Hamamatsu-shi, Shizuoka (JP)

(74) *Attorney, Agent, or Firm* — Sughrue Mion, PLLC

(\*\*) Term: **15 Years**

(57) **CLAIM**

(21) Appl. No.: **29/656,071**

The ornamental design for an electronic piano, as shown and described.

(22) Filed: **Jul. 10, 2018**

(30) **Foreign Application Priority Data**

Jan. 23, 2018 (JP) ..... 2018-001145

**DESCRIPTION**

(51) **LOC (12) Cl.** ..... **17-01**

(52) **U.S. Cl.**  
USPC ..... **D17/1**

(58) **Field of Classification Search**  
USPC ..... D17/1, 5, 7, 9; D21/405, 409; D14/188  
CPC ..... G10B 3/12; G10B 3/14  
See application file for complete search history.

FIG. 1 is a perspective view of the front, top and left side of an electronic piano showing my new design;  
FIG. 2 is a front view thereof;  
FIG. 3 is a rear view thereof;  
FIG. 4 is a left side view thereof;  
FIG. 5 is a right side view thereof;  
FIG. 6 is a top view thereof; and,  
FIG. 7 is a bottom view thereof.

(56) **References Cited**

The broken line showing of the electronic piano is included for the purpose of illustrating portions of the electronic piano and forms no part of the claimed design.

**U.S. PATENT DOCUMENTS**

D526,676 S \* 8/2006 Utsunomiya ..... D17/1  
D546,374 S \* 7/2007 Saito ..... D17/1

**1 Claim, 4 Drawing Sheets**

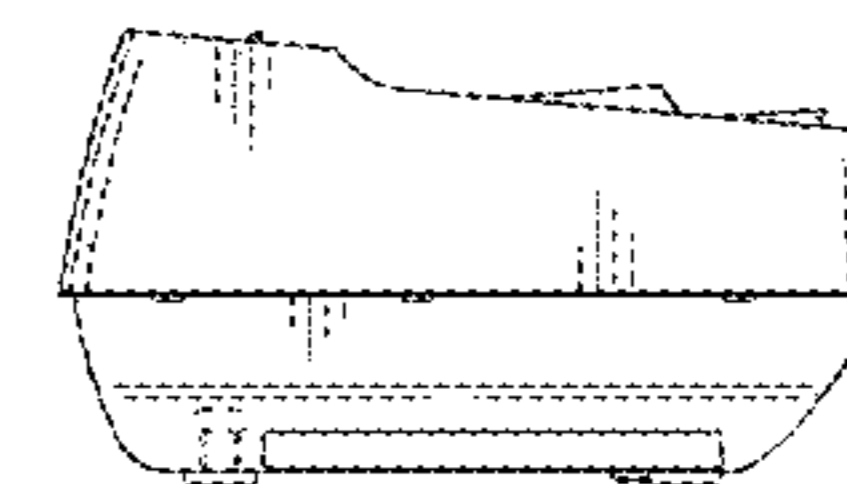
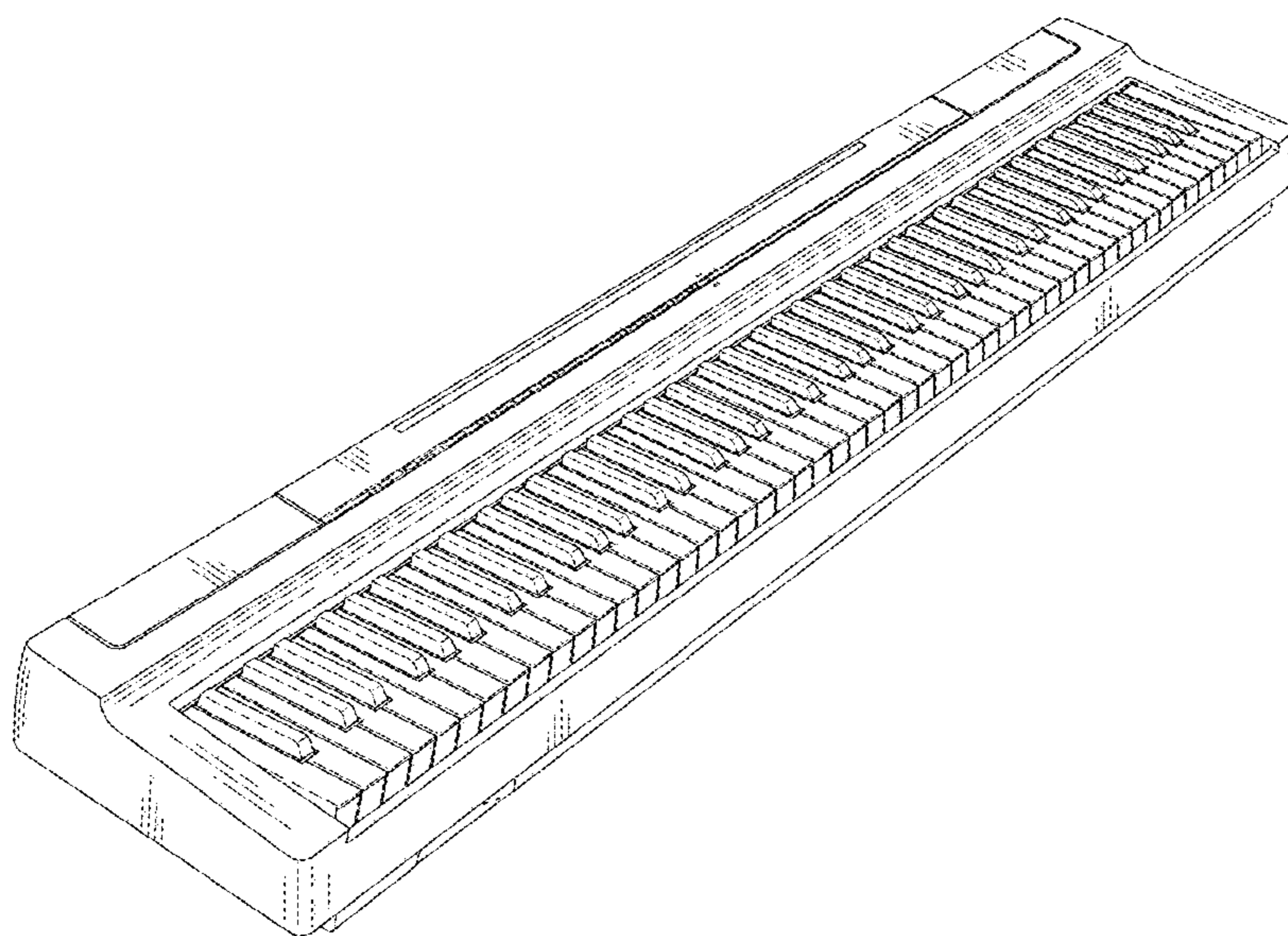


FIG. 1

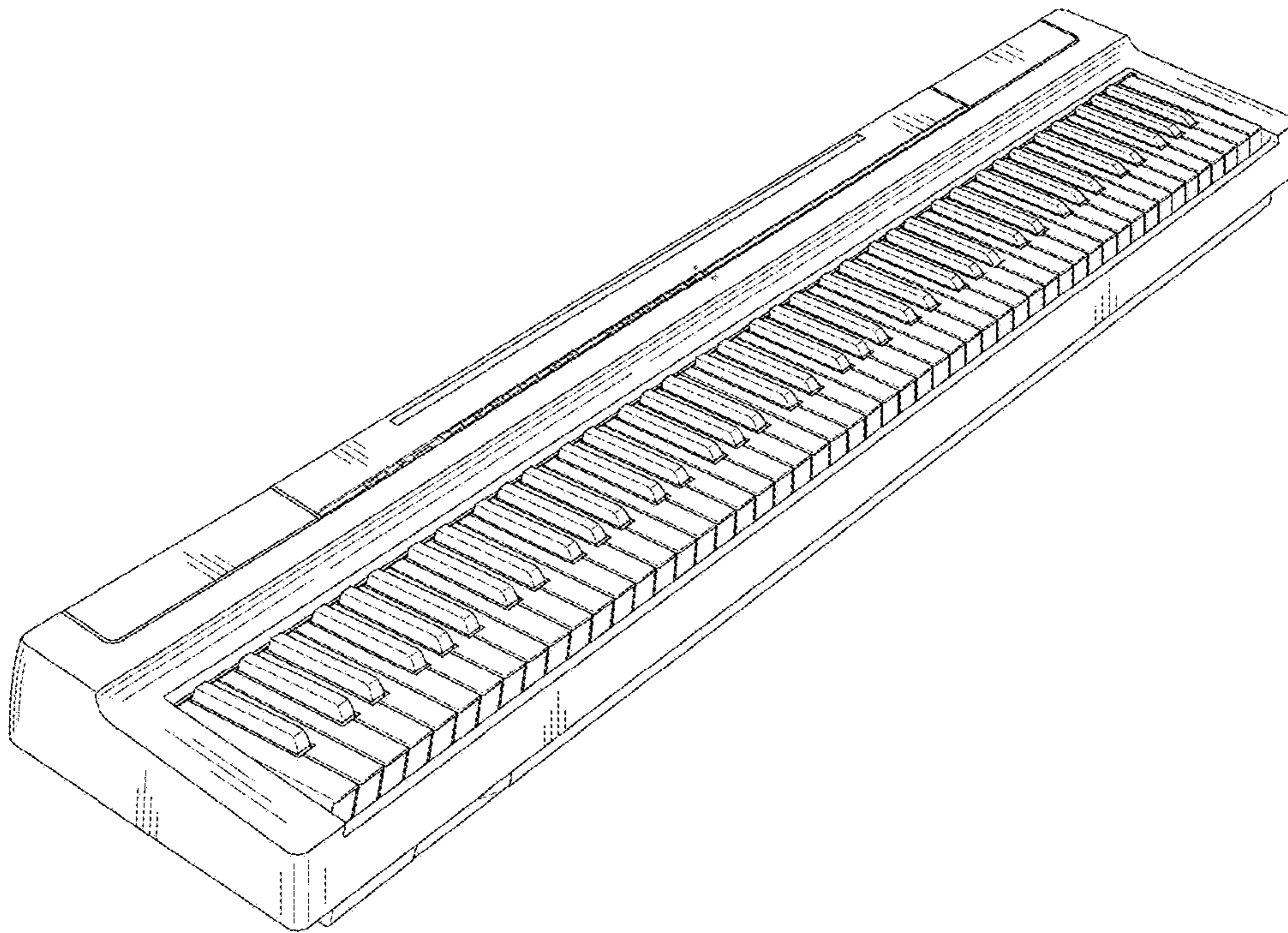


FIG. 2

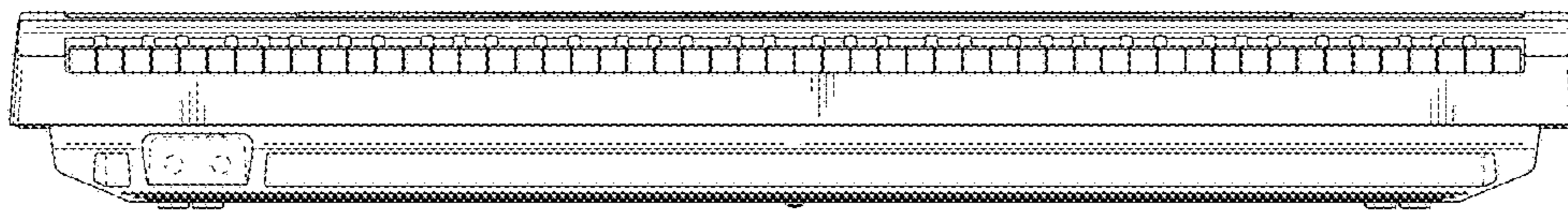


FIG. 3

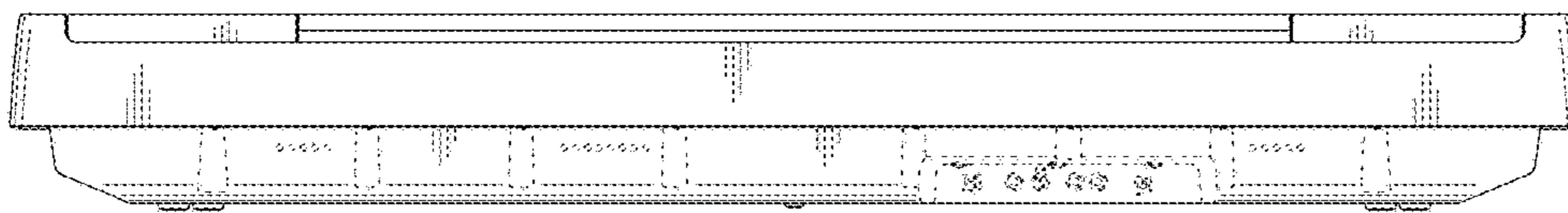


FIG. 4

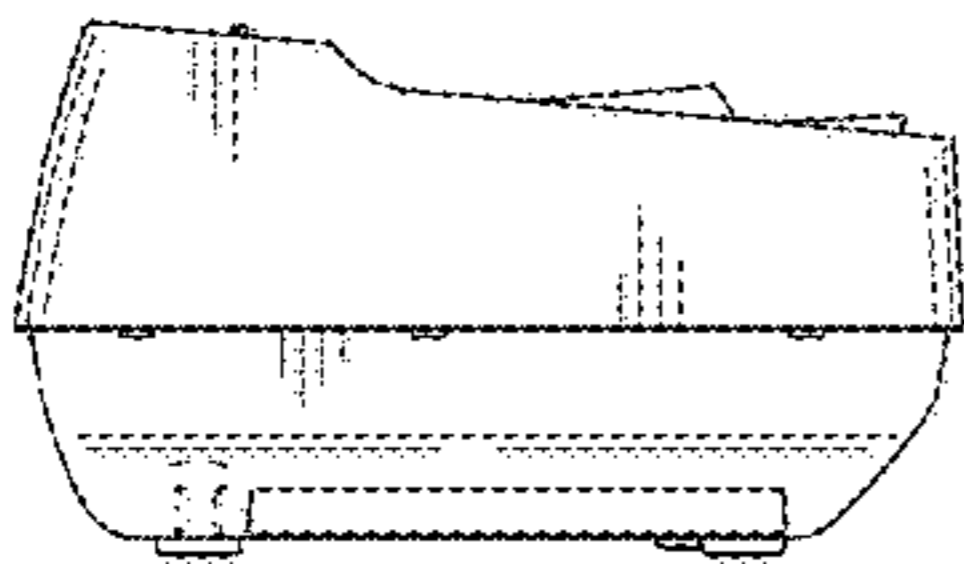


FIG. 5



FIG. 6

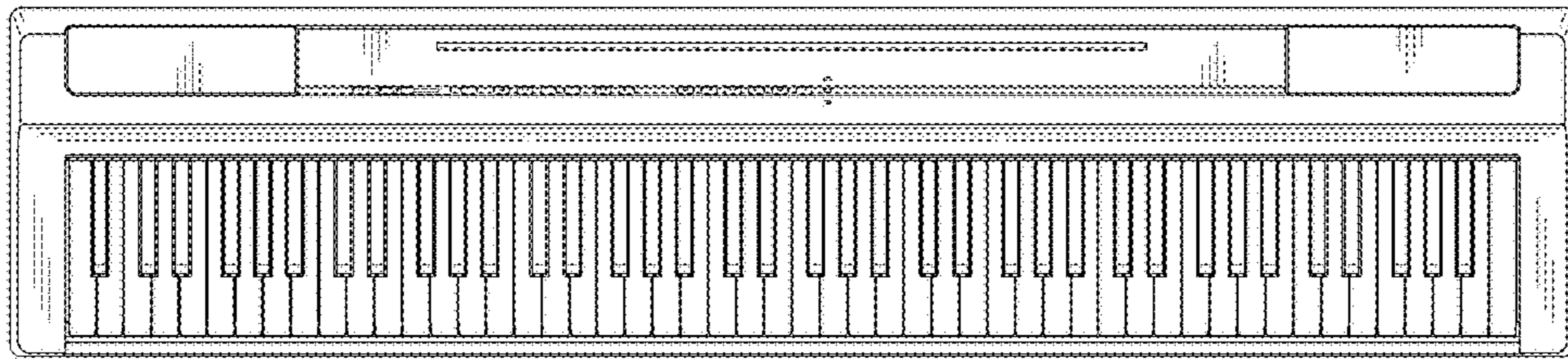


FIG. 7

