



US00D866648S

(12) **United States Design Patent**
Marcon

(10) **Patent No.:** **US D866,648 S**

(45) **Date of Patent:** **** Nov. 12, 2019**

(54) **TRIPOD FOR CAMERAS**

(71) Applicant: **LINO MANFROTTO + CO. S.p.A.**,
Cassola (VI) (IT)

(72) Inventor: **Davide Marcon**, Trebaseleghe (IT)

(73) Assignee: **VITEC IMAGING SOLUTIONS**
S.P.A., Cassola (VI) (IT)

(**) Term: **15 Years**

(21) Appl. No.: **29/643,652**

(22) Filed: **Apr. 10, 2018**

(30) **Foreign Application Priority Data**

Mar. 8, 2018 (EM) 004746592

(51) **LOC (12) Cl.** **16-05**

(52) **U.S. Cl.**
USPC **D16/244**

(58) **Field of Classification Search**
USPC D16/219, 237-250; D14/224, 229, 238,
D14/251, 253; D8/354, 355, 363, 373,
D8/382-383, 394-396

CPC F16M 11/06-10; F16M 11/14; G02B
7/00-002; G03B 17/56; G03B
17/561-17/568; H04N 5/2253-2254;
A45F 2200/0508-0533; A45F 5/00; A45F
5/10

See application file for complete search history.

(56) **References Cited**

U.S. PATENT DOCUMENTS

D532,436 S * 11/2006 Kruse D16/244
D706,333 S * 6/2014 Chun D16/244
D718,365 S * 11/2014 Kim D16/244
D739,456 S * 9/2015 Poli D16/244
D794,699 S * 8/2017 Bin-Nun D16/244

(Continued)

OTHER PUBLICATIONS

Mini Tripods Collection Shop Tabletop Tripods Manfrotto. [online]
Published Aug. 7, 2017. Retrieved Mar. 21, 2019 from URL:
https://www.manfrotto.us/products/photo-tripods/mini-tripods.*

(Continued)

Primary Examiner — Vy N Koenig

(74) *Attorney, Agent, or Firm* — Volpe and Koenig, P.C.

(57) **CLAIM**

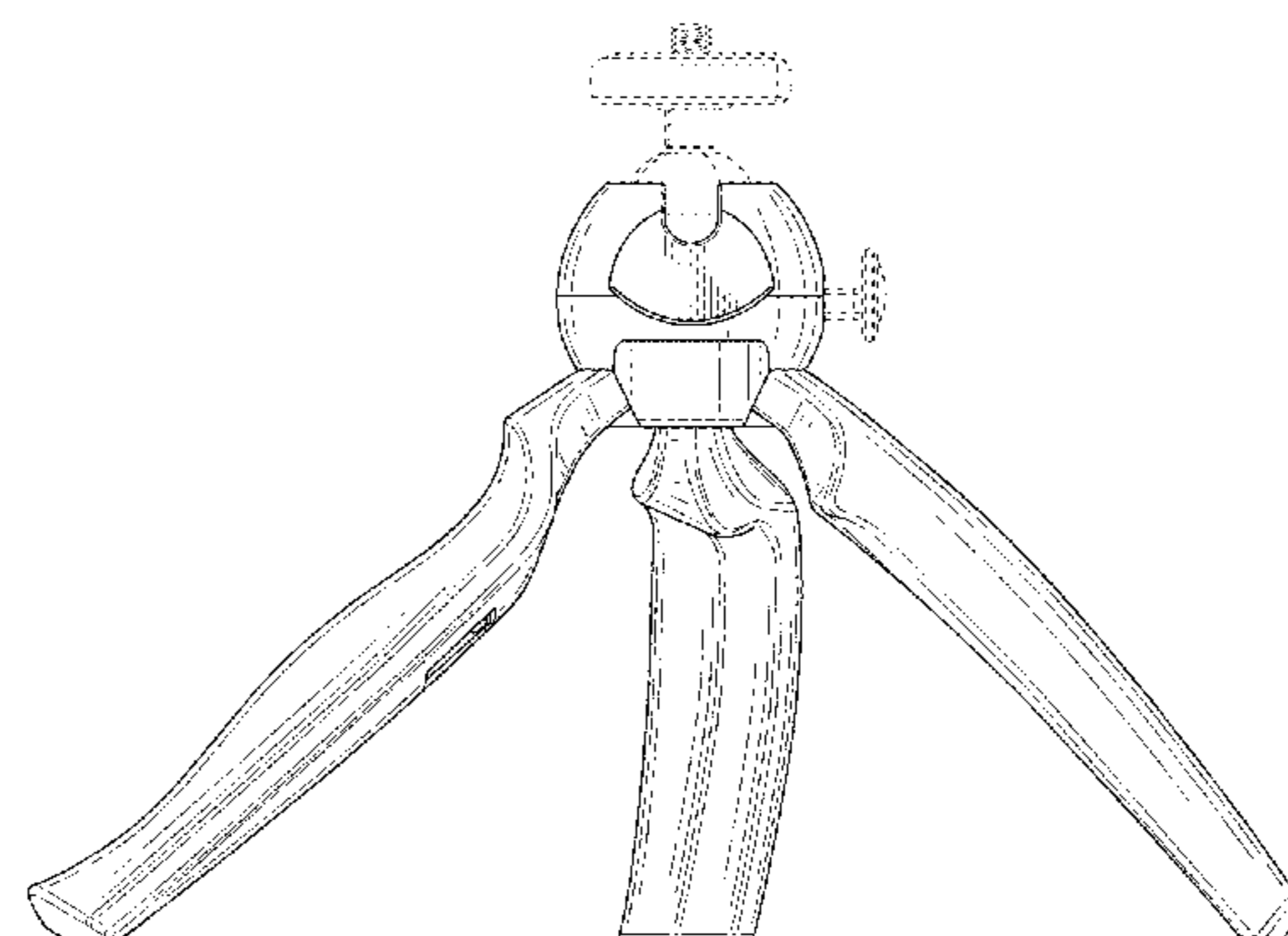
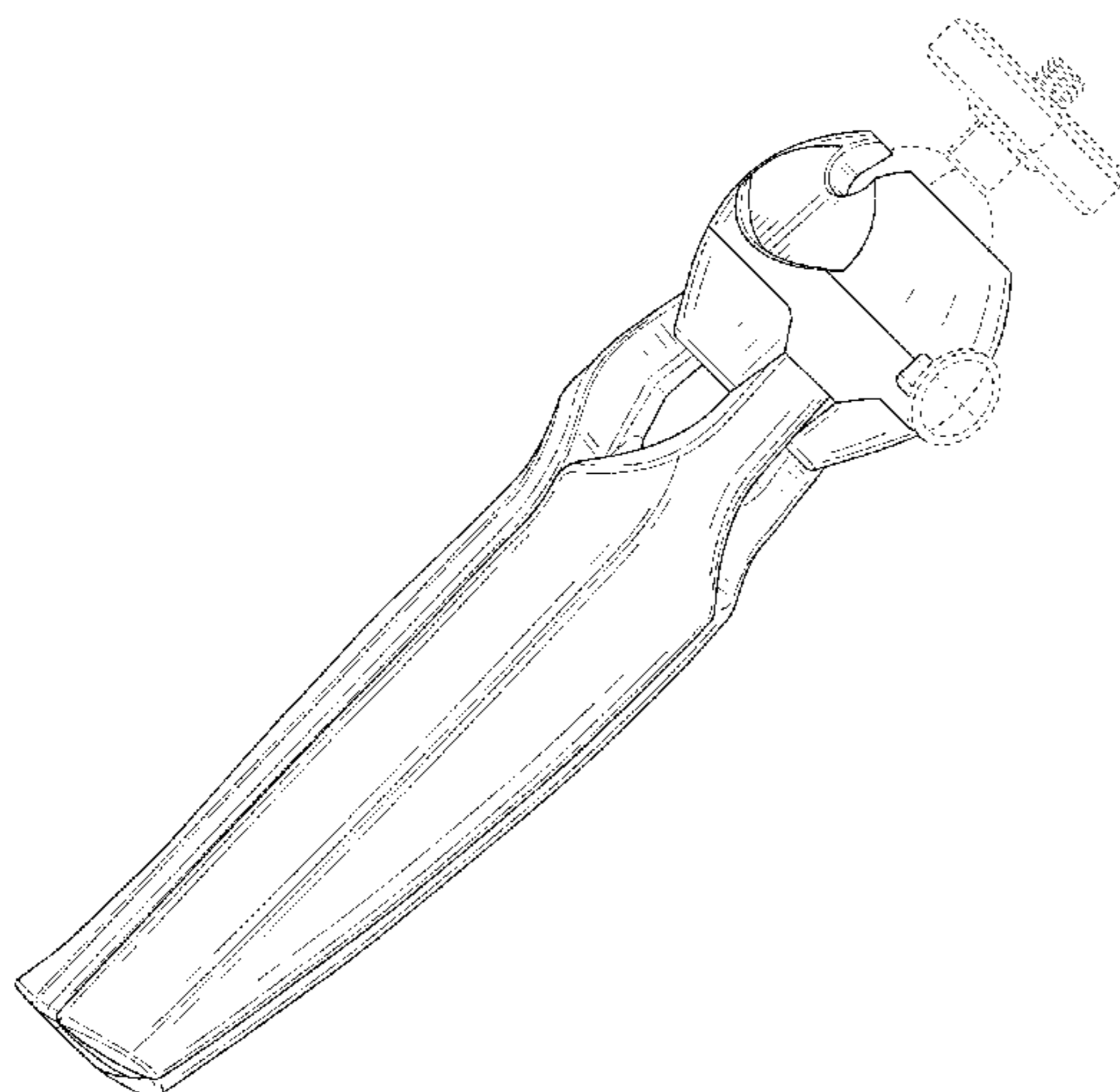
The ornamental design for a tripod for cameras, as shown
and described.

DESCRIPTION

FIG. 1 is a perspective view of a tripod for cameras
according to my new design, in a closed configuration;
FIG. 2 is a front view of the tripod of FIG. 1;
FIG. 3 is a left side view of the tripod of FIG. 1;
FIG. 4 is a rear view of the tripod of FIG. 1;
FIG. 5 is a right side view of the tripod of FIG. 1;
FIG. 6 is a top view of the tripod of FIG. 1;
FIG. 7 is a bottom view of the tripod of FIG. 1;
FIG. 8 is a bottom view of the tripod according to my design
in an open configuration;
FIG. 9 is a top view of the tripod according to my design in
open configuration;
FIG. 10 is a front view of the tripod according to my design
in an open configuration;
FIG. 11 is a right side view of the tripod according to my
design in an open configuration;
FIG. 12 is a left side view of the tripod according to my
design in an open configuration; and,
FIG. 13 is a rear view of the tripod according
to my design in an open configuration.

The broken lines in the drawings are intended to show
environmental structure and form no part of the claimed
design.

1 Claim, 12 Drawing Sheets



(56)

References Cited

U.S. PATENT DOCUMENTS

D800,206 S	*	10/2017	Moon	D16/244
D822,092 S	*	7/2018	Bergman	D16/243
D827,618 S	*	9/2018	Nardin	D14/224
D835,705 S	*	12/2018	Chun	D16/244
D836,703 S	*	12/2018	Song	D16/244
D840,465 S	*	2/2019	Chun	D16/244

OTHER PUBLICATIONS

Benro PP1 PocketPod Tabletop Tripod PP1 B&H Photo Video.
[online] Published Mar. 22, 2015. Retrieved Mar. 21, 2019 from
URL: https://www.bhphotovideo.com/c/product/1093158-REG/benro_pp1_pocketpod_tabletop_tripod.html/?ap=y&gclid=CjwKCAjw7MzkBRAGEiwAkOXexL7vCi_925dgtiUsXDzyV_v3-HDaKGGEAmyIEJWzvSTkBW2qujvEVRoChpQQAvD_BwE&Isft=B.*

* cited by examiner

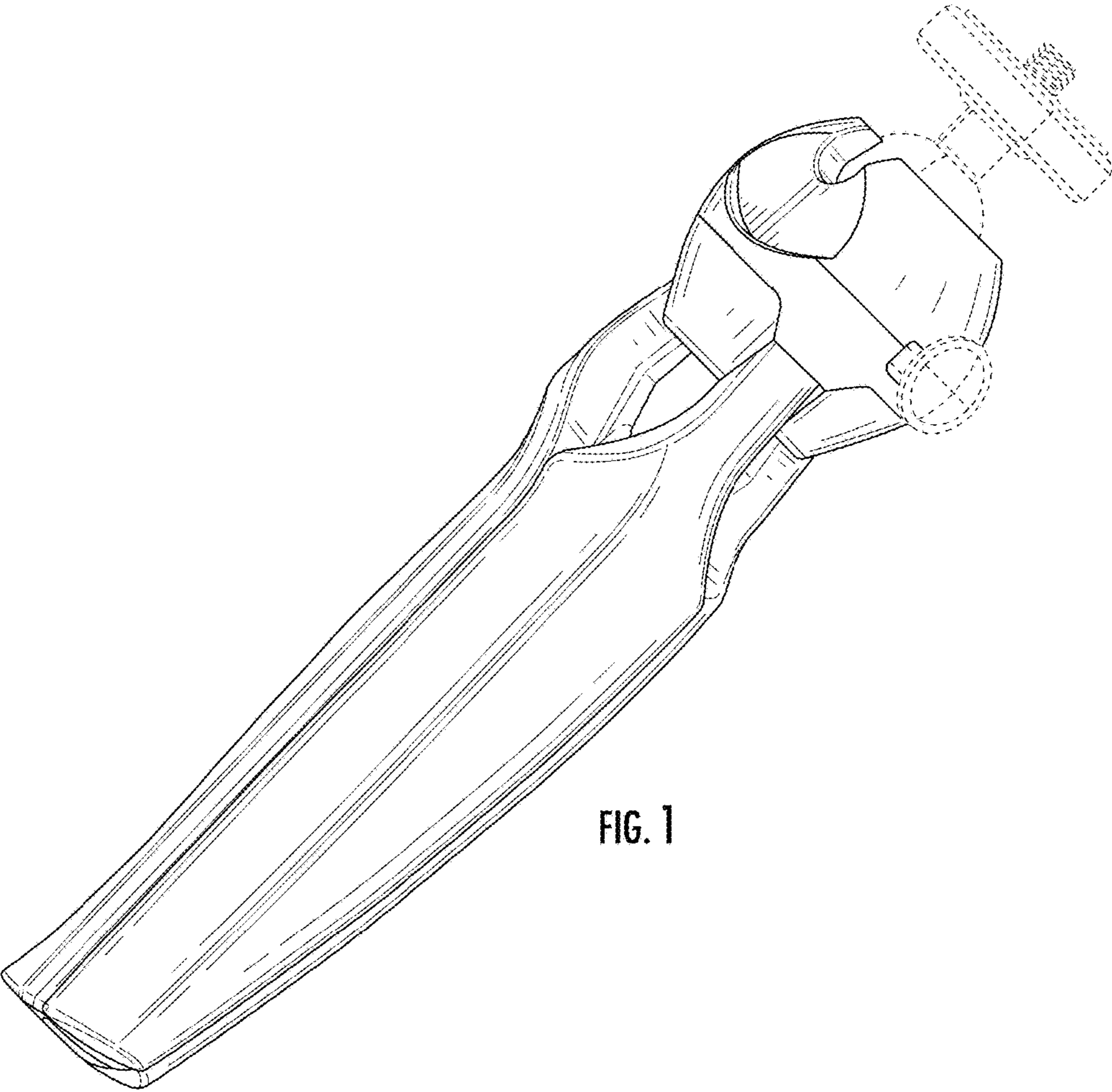


FIG. 1

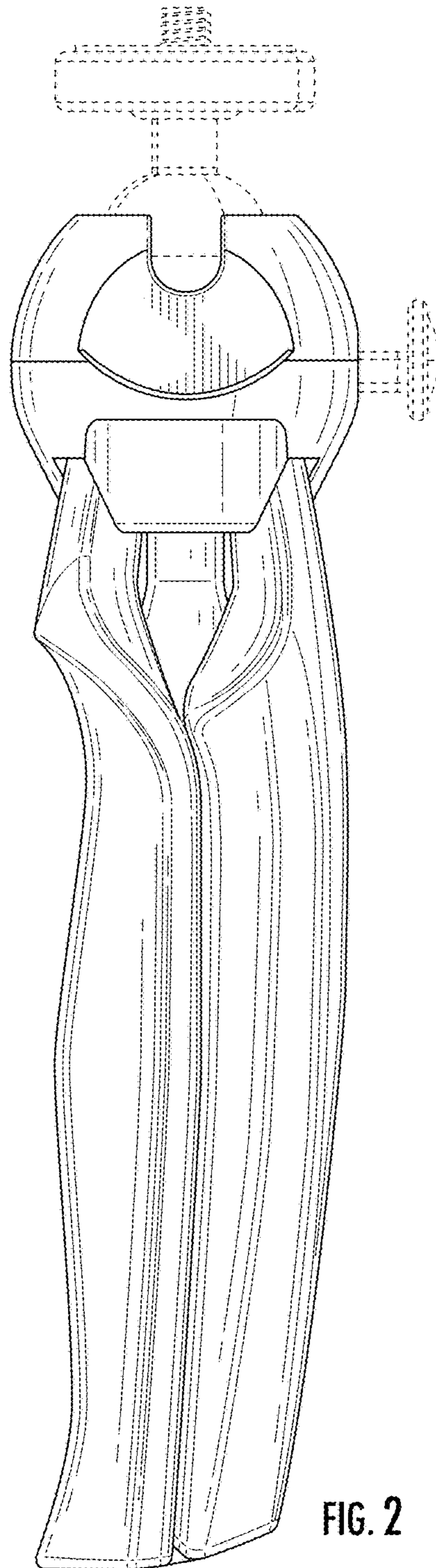
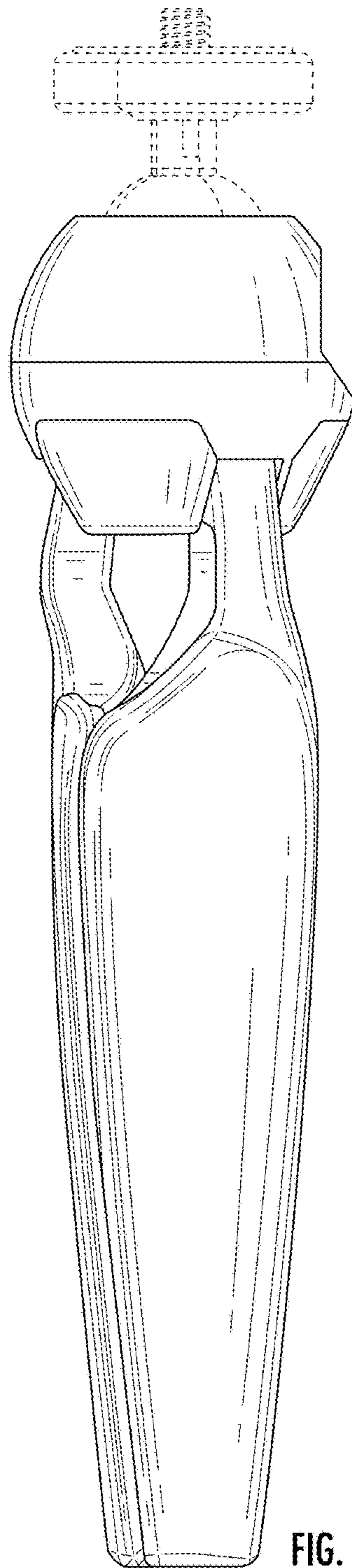


FIG. 2



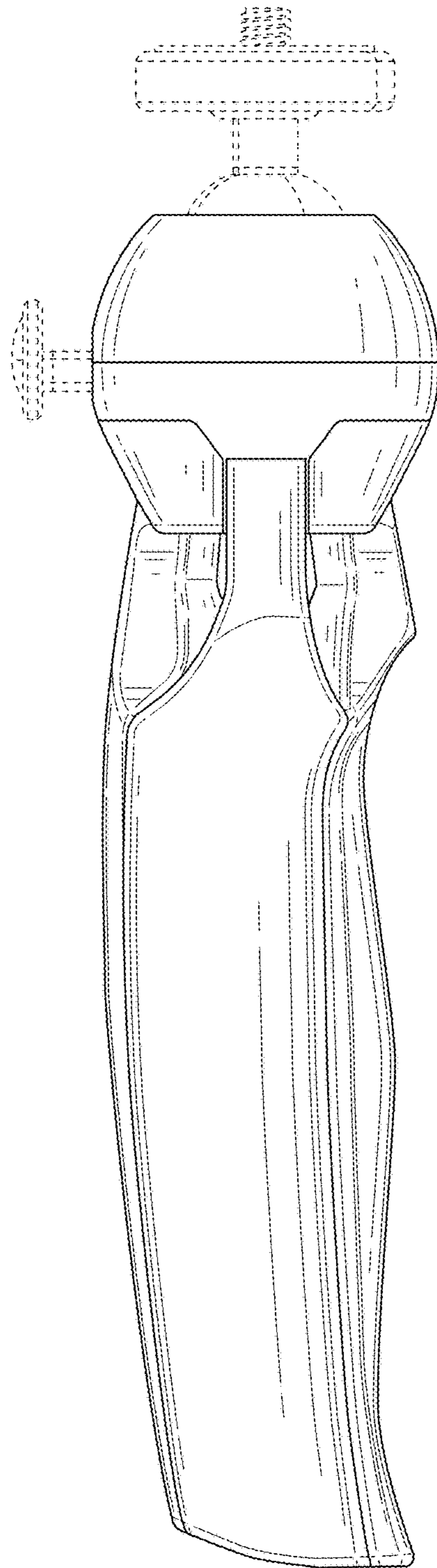


FIG. 4

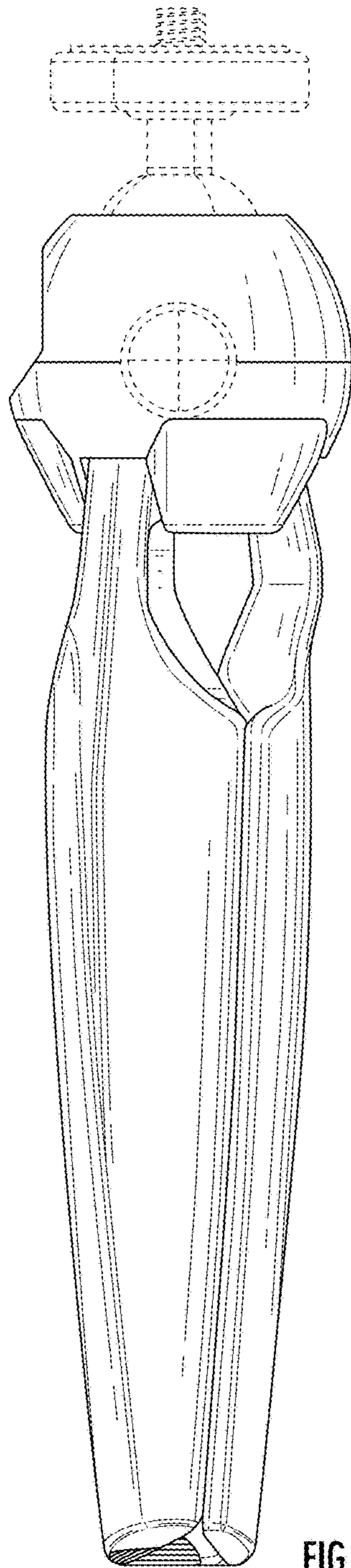


FIG. 5

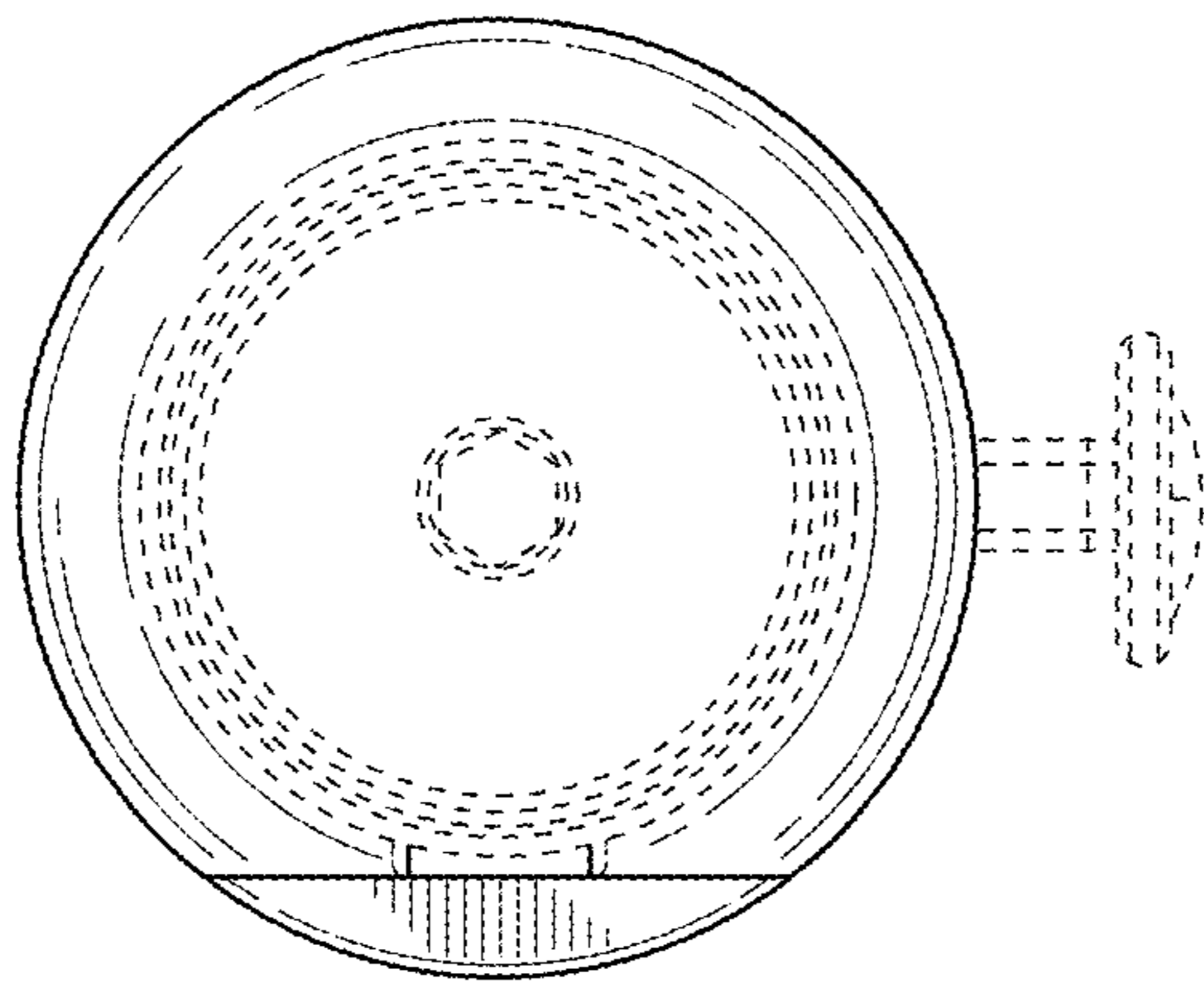


FIG. 6

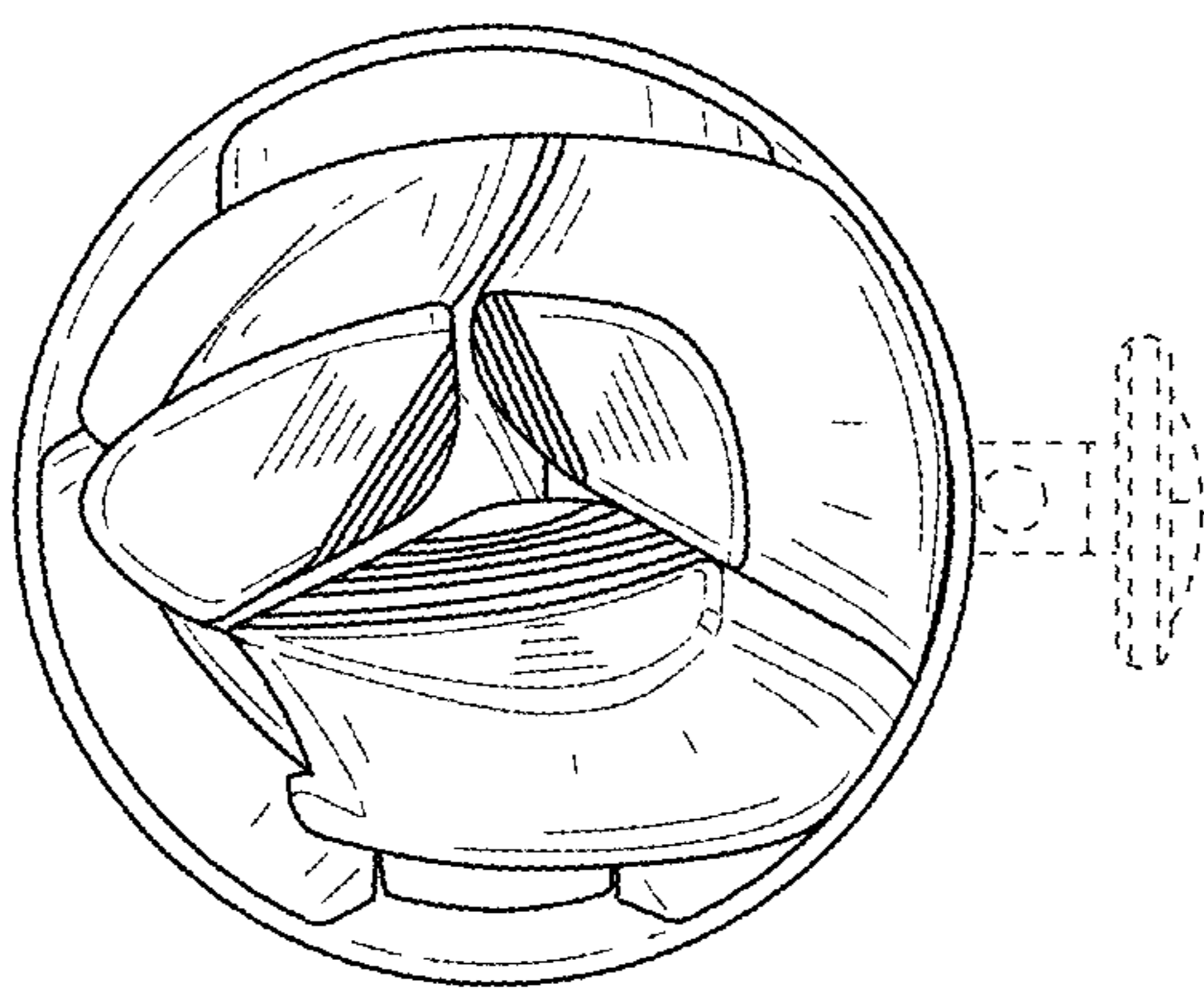


FIG. 7

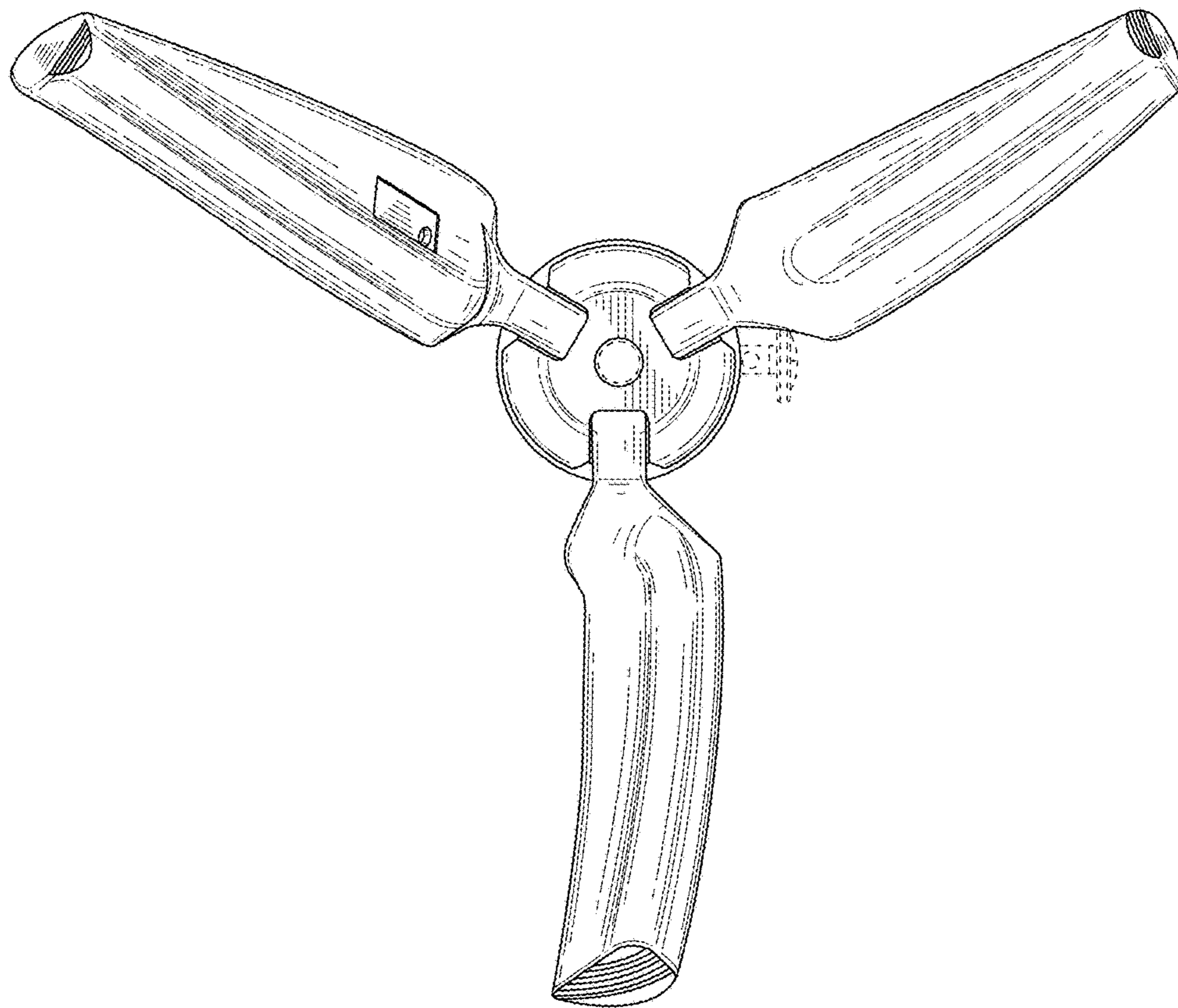


FIG. 8

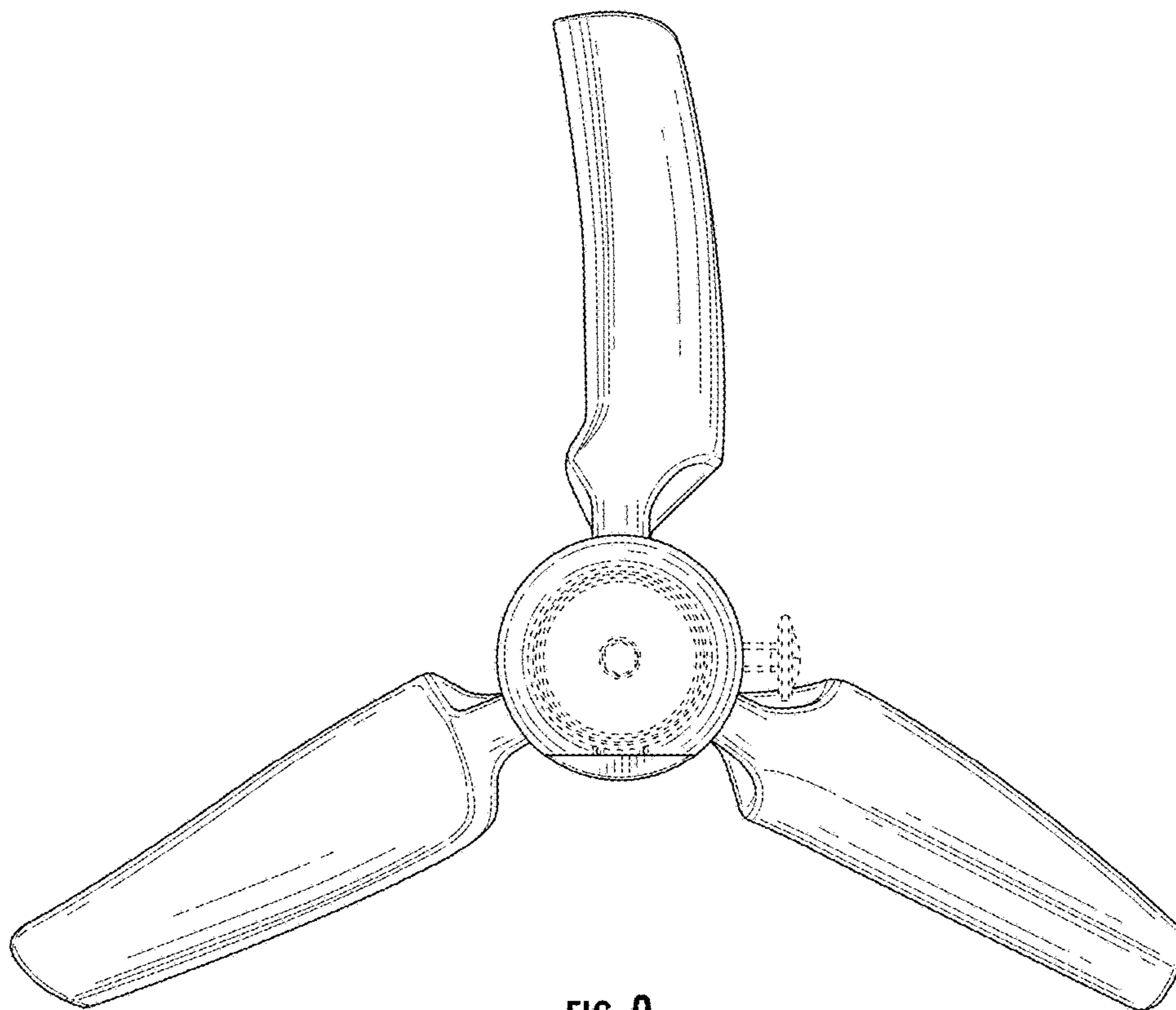


FIG. 9

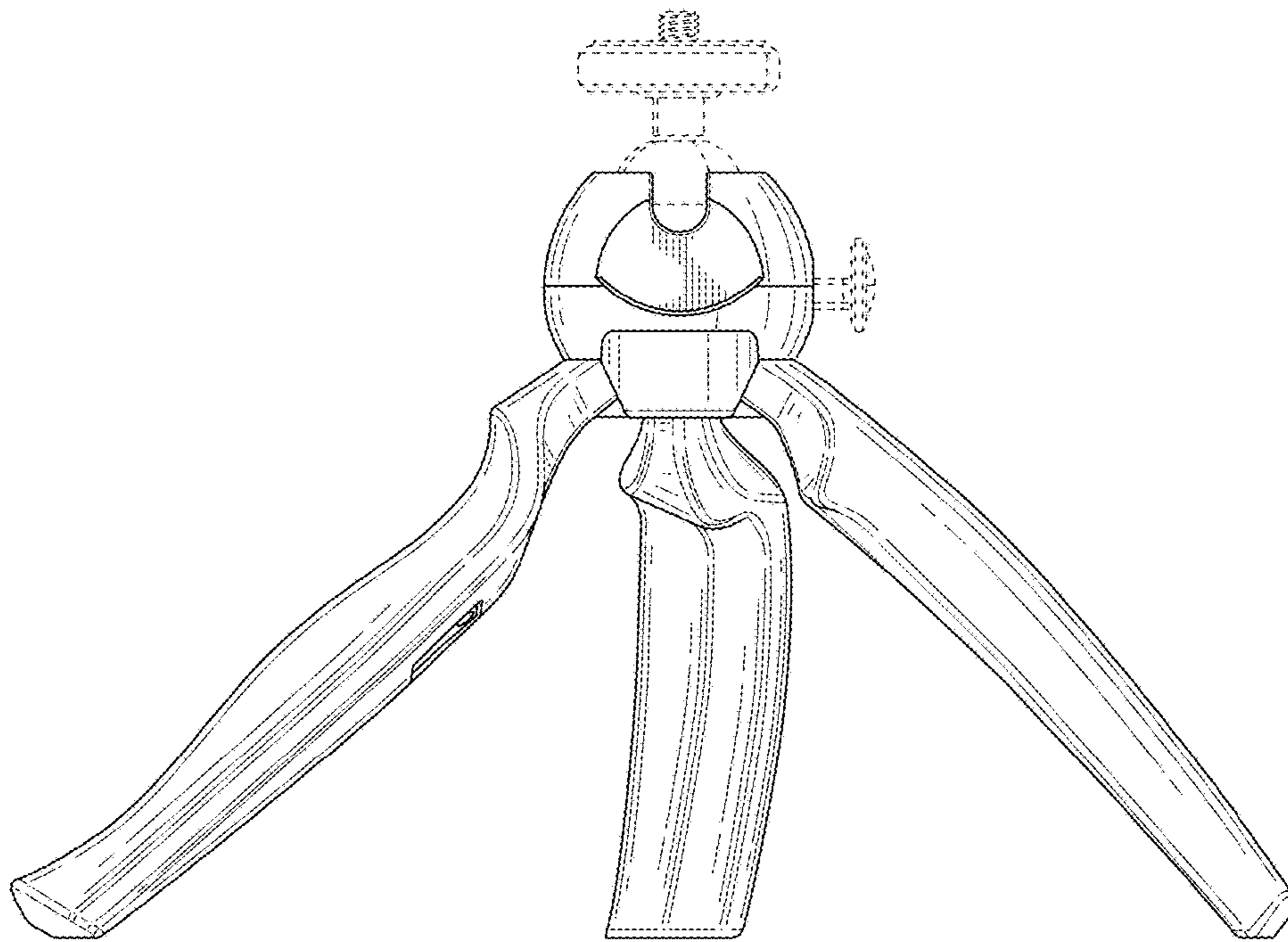


FIG. 10

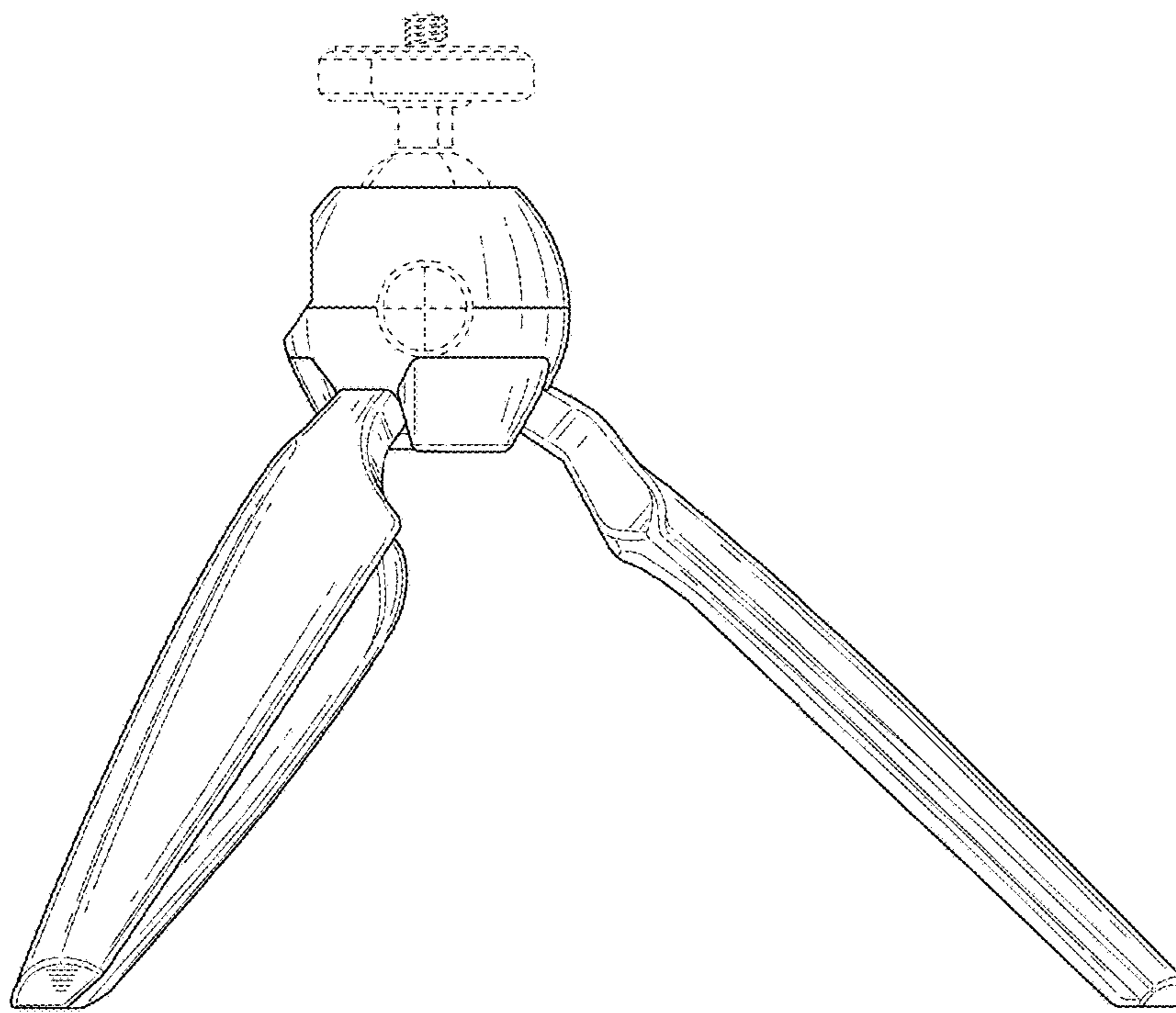


FIG. 11

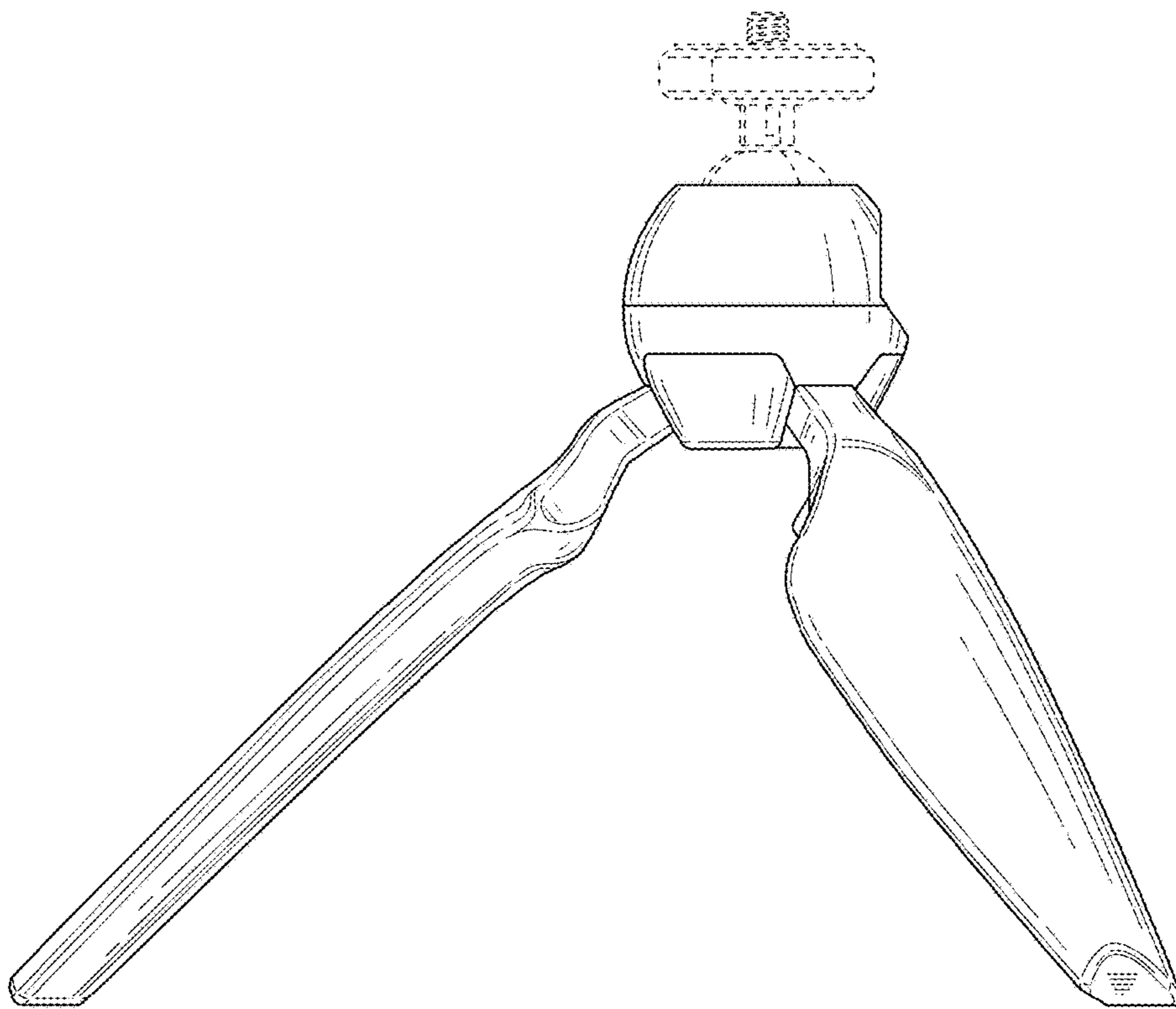


FIG. 12

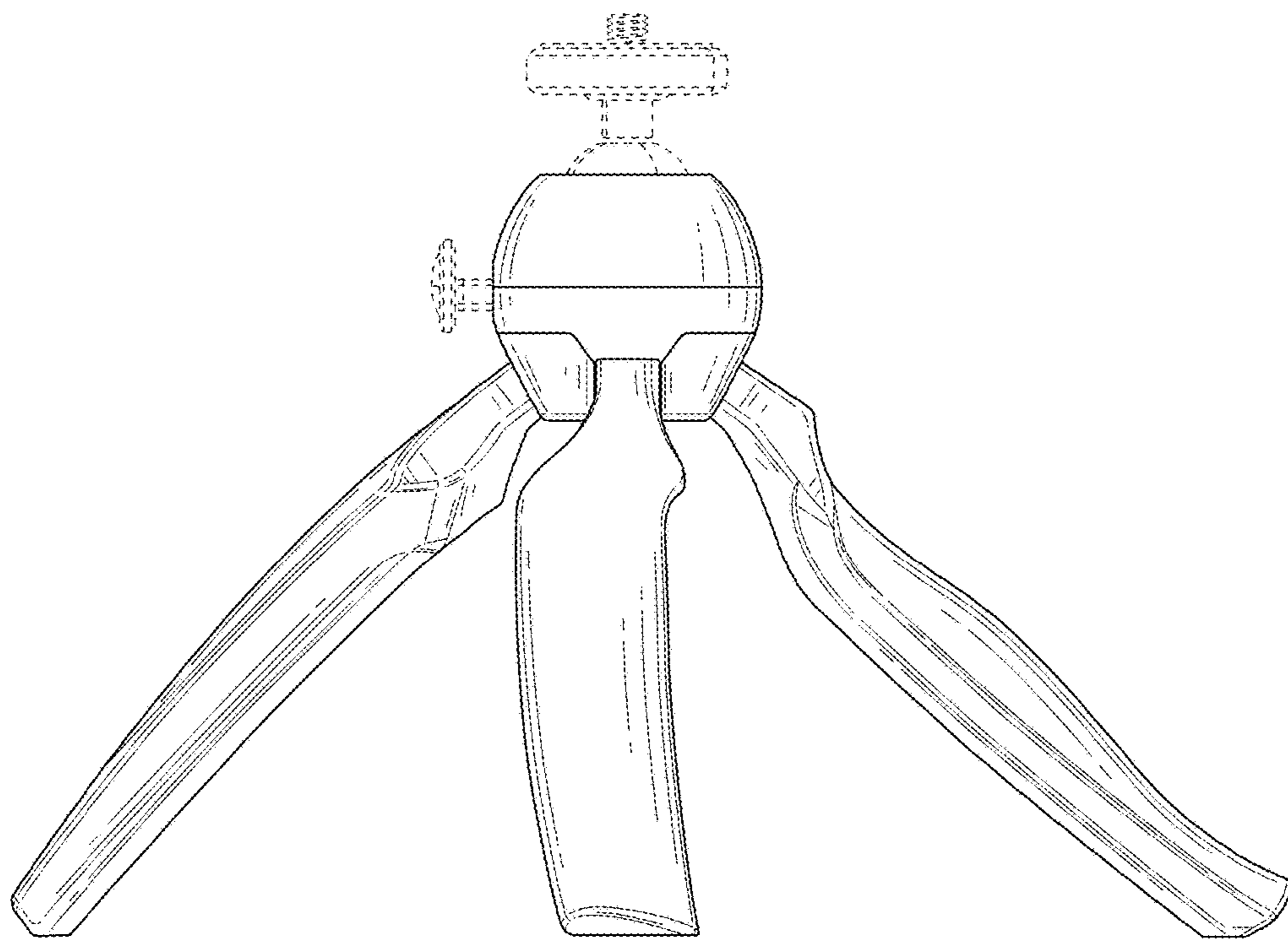


FIG. 13