



US00D866647S

(12) **United States Design Patent** (10) **Patent No.:** **US D866,647 S**  
**Kim et al.** (45) **Date of Patent:** **\*\* Nov. 12, 2019**

- (54) **GIMBAL**
- (71) Applicant: **SZ DJI TECHNOLOGY CO., LTD.**,  
Shenzhen (CN)
- (72) Inventors: **Min Kim**, Shenzhen (CN); **Zhi-Hui Zhu**,  
Shenzhen (CN); **Xiao-Yu Tian**,  
Shenzhen (CN)
- (73) Assignee: **SZ DJI TECHNOLOGY CO., LTD.**,  
Shenzhen (CN)

- D784,997 S \* 4/2017 Cheng ..... D14/447
- D785,073 S \* 4/2017 Wang ..... D16/242
- D794,606 S \* 8/2017 Zheng ..... D14/217
- D795,946 S \* 8/2017 Kim ..... D16/206
- D796,482 S \* 9/2017 Zheng ..... D14/217
- D799,447 S \* 10/2017 Zheng ..... D14/217
- D799,448 S \* 10/2017 Zheng ..... D14/217
- D799,465 S \* 10/2017 Sukphist ..... D14/253
- 9,800,786 B1 \* 10/2017 Wei ..... G03B 17/563
- D810,171 S \* 2/2018 Kim ..... D16/206
- D810,806 S \* 2/2018 Kim ..... D16/206

(Continued)

(\*\*) Term: **15 Years**

**OTHER PUBLICATIONS**

(21) Appl. No.: **29/688,578**

DJI Ronin-S.[online] Published on Jul. 11, 2018. Retrieved Nov. 28, 2018 from URL: [https://www.adorama.com/djirons.html?gclid=CjwKCAiAlvnfBRA1EiwAVOEgfNURHmtKldTc8Mr7KULyVvBsTx4C0dQGjrn2FjCpBuGTiWqSqyvkh6hoCJpQQAvD\\_BwE.\\*](https://www.adorama.com/djirons.html?gclid=CjwKCAiAlvnfBRA1EiwAVOEgfNURHmtKldTc8Mr7KULyVvBsTx4C0dQGjrn2FjCpBuGTiWqSqyvkh6hoCJpQQAvD_BwE.*)

(22) Filed: **Apr. 23, 2019**

(Continued)

**Related U.S. Application Data**

(63) Continuation of application No. 29/632,363, filed on Jan. 8, 2018.

*Primary Examiner* — Vy N Koenig

(51) **LOC (12) Cl.** ..... **16-05**

(74) *Attorney, Agent, or Firm* — ScienBiziP, P.C.

(52) **U.S. Cl.**  
USPC ..... **D16/243**; D14/217

(57) **CLAIM**

(58) **Field of Classification Search**  
USPC ..... D16/219, 237–250; D8/354, 355, 363,  
D8/373, 382–383, 394–396; D14/217,  
D14/224, 229, 238, 251, 447, 451, 457,  
D14/412–415

The ornamental design for a gimbal, as shown and described.

CPC ..... F16M 11/06–10; F16M 11/14; G02B  
7/00–002; G03B 17/56; G03B  
17/261–568; H04N 5/2253–2254

**DESCRIPTION**

See application file for complete search history.

FIG. 1 is a front perspective view of a gimbal showing our new design.

(56) **References Cited**

**U.S. PATENT DOCUMENTS**

- 8,267,361 B1 \* 9/2012 Dordick ..... F16M 11/14  
248/178.1
- 8,699,134 B2 \* 4/2014 Shen ..... G02B 23/165  
359/429
- D780,825 S \* 3/2017 Kim ..... D10/103

FIG. 2 is a rear perspective view thereof.

FIG. 3 is a front elevation view thereof.

FIG. 4 is a rear elevation view thereof.

FIG. 5 is a left side elevation view thereof.

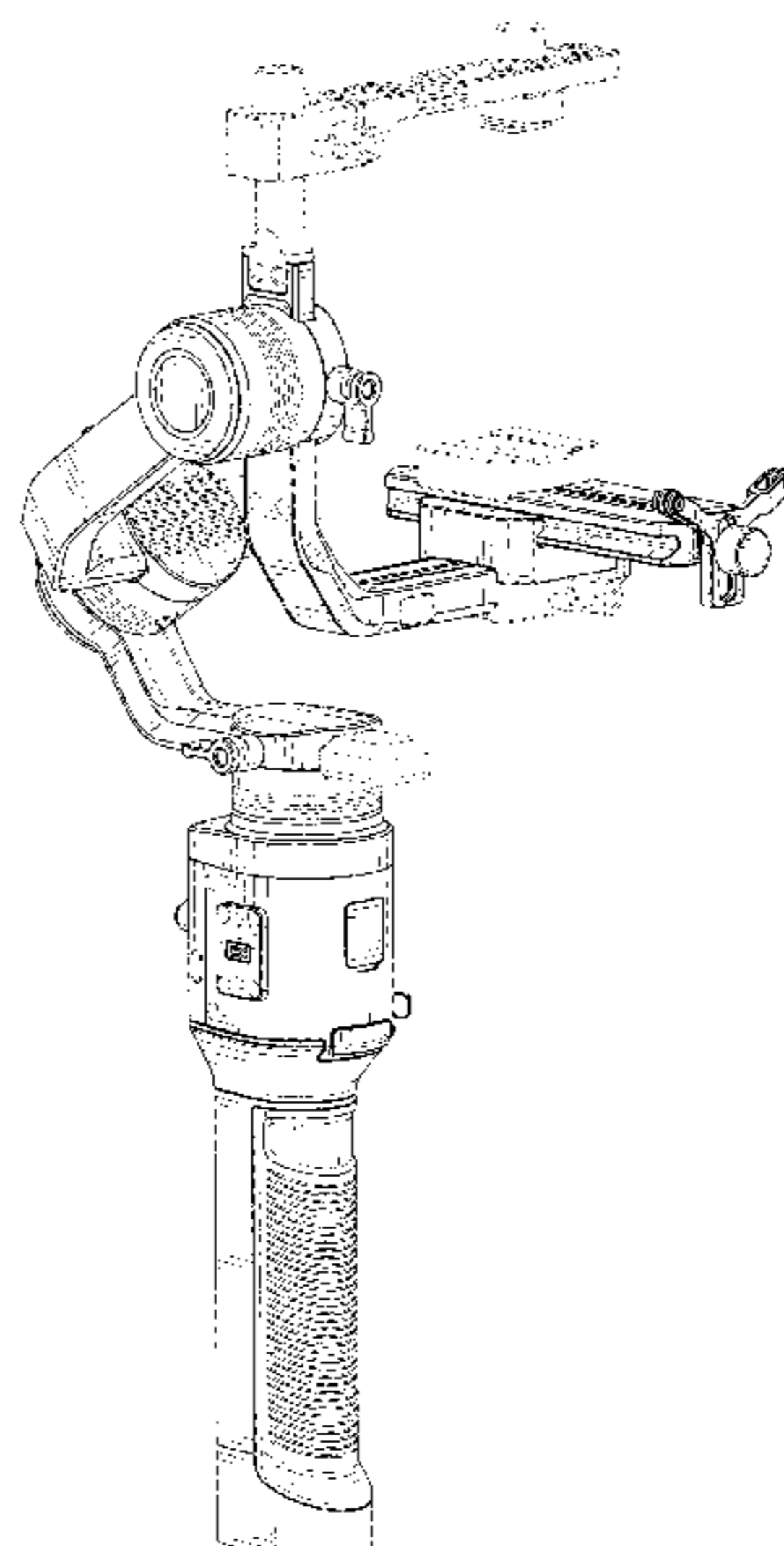
FIG. 6 is a right side elevation view thereof.

FIG. 7 is a top plan view thereof; and,

FIG. 8 is a bottom plan view thereof.

The broken lines in the drawings depict environmental structure and boundaries only and form no part of the claimed design.

**1 Claim, 8 Drawing Sheets**



(56)

**References Cited**

U.S. PATENT DOCUMENTS

D824,882 S \* 8/2018 Zheng ..... D14/217  
D826,310 S \* 8/2018 Wang ..... D16/243  
2015/0261070 A1\* 9/2015 Feng ..... G03B 17/561  
396/421  
2016/0290556 A1\* 10/2016 Choi ..... F16M 13/022  
2016/0381271 A1\* 12/2016 Cheng ..... F16M 11/041  
348/208.2  
2017/0037995 A1\* 2/2017 Pan ..... F16M 11/18  
2017/0064176 A1\* 3/2017 Kim ..... F16M 11/18  
2017/0146892 A1\* 5/2017 Wei ..... F16M 11/045  
2017/0191613 A1\* 7/2017 Liu ..... B64D 47/08  
2017/0241589 A1\* 8/2017 Wang ..... F16M 11/18  
2017/0307136 A1\* 10/2017 Wei ..... F16M 11/12  
2018/0031951 A1\* 2/2018 Wang ..... G03B 17/561  
2018/0066792 A1\* 3/2018 Chen ..... F16M 11/04

OTHER PUBLICATIONS

Zhiyun Crane V2 3 Axis Brushless Handheld Gimbal Stabilizer 3  
32Bit MCUs. [online ] Retrieved Jul. 7, 2016 from URL: [https://  
www.amazon.com/Crane-V2-Brushless-Stabilizer-Mirrorless/dp/  
B0112MWUOG/ref=sr\\_1\\_19?s=photo&ie=UTF8&qid=1543417387  
&sr=1-19&keywords=DJI+ronin.\\*](https://www.amazon.com/Crane-V2-Brushless-Stabilizer-Mirrorless/dp/B0112MWUOG/ref=sr_1_19?s=photo&ie=UTF8&qid=1543417387&sr=1-19&keywords=DJI+ronin.*)

\* cited by examiner

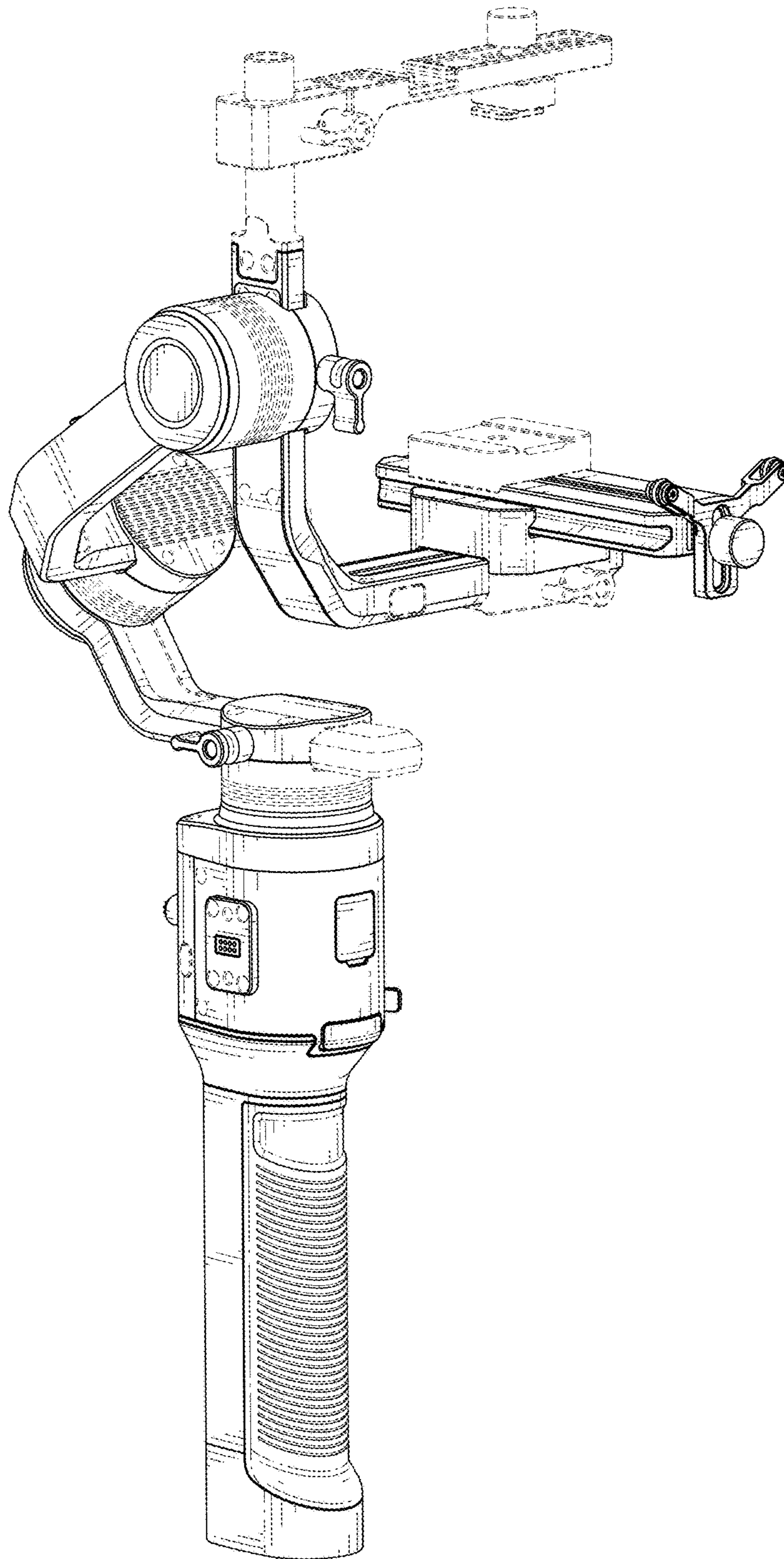


FIG. 1

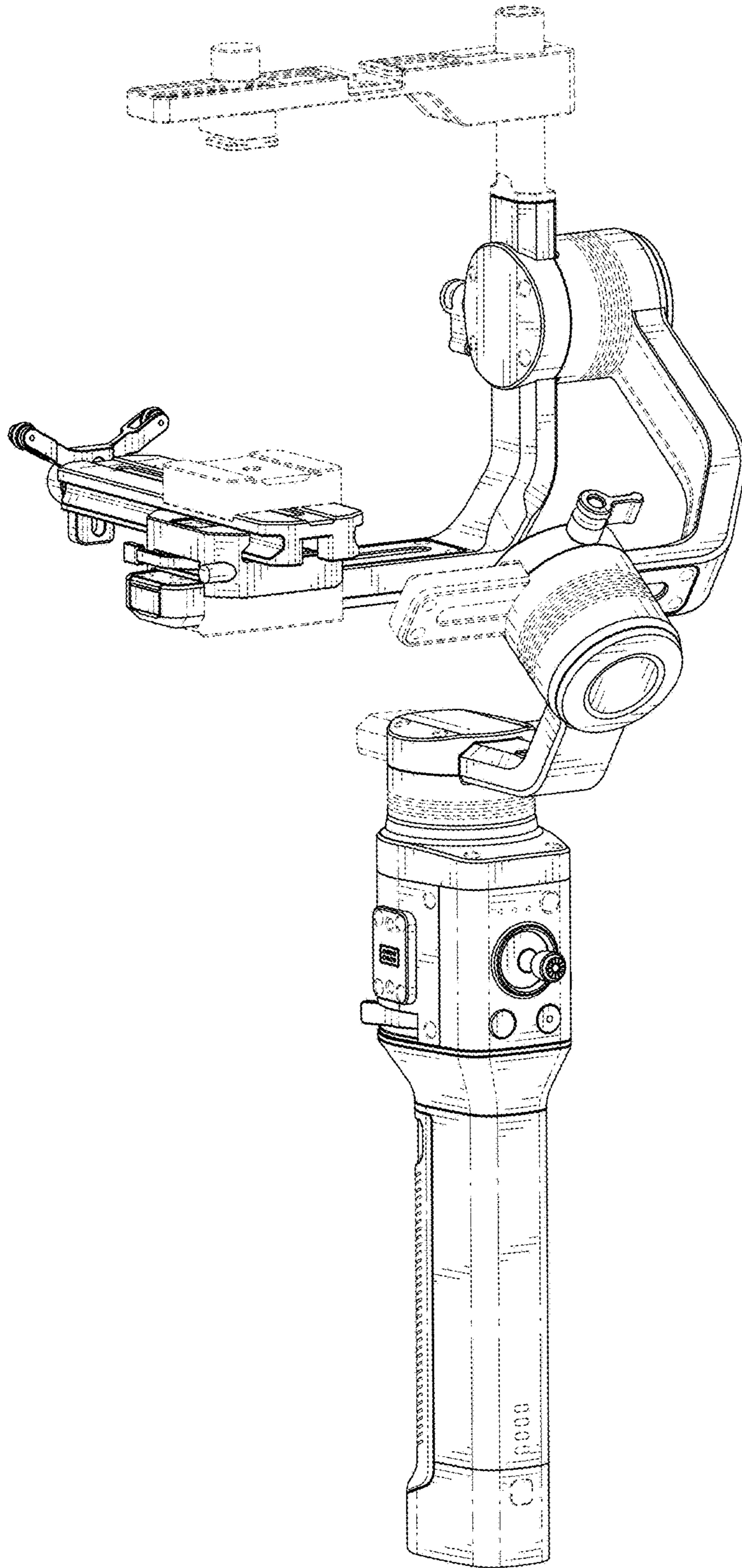


FIG. 2

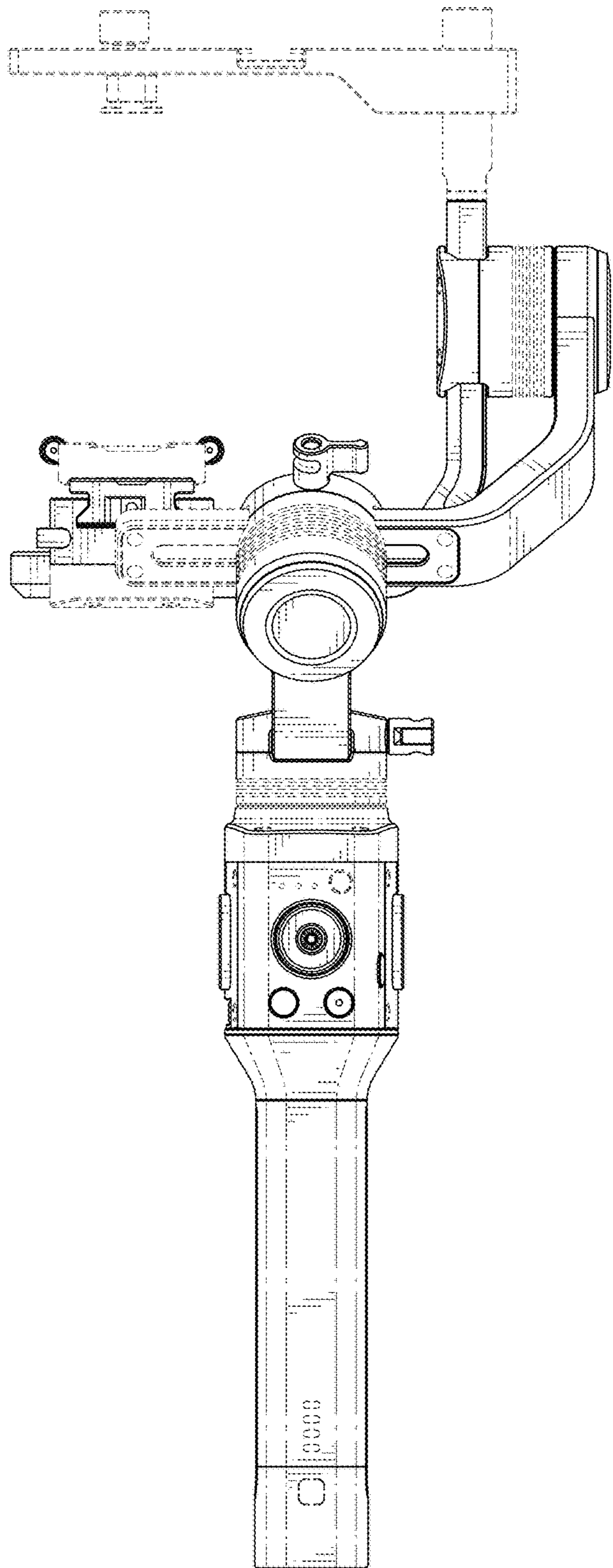


FIG. 3

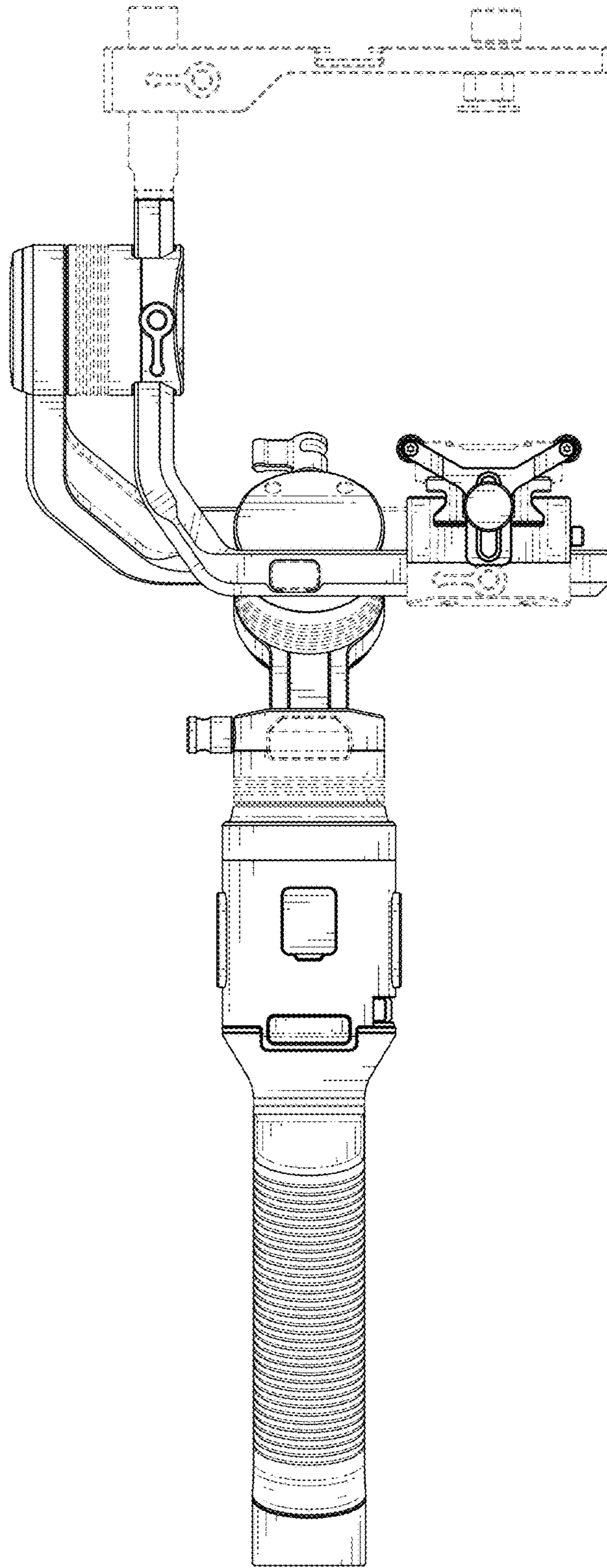


FIG. 4

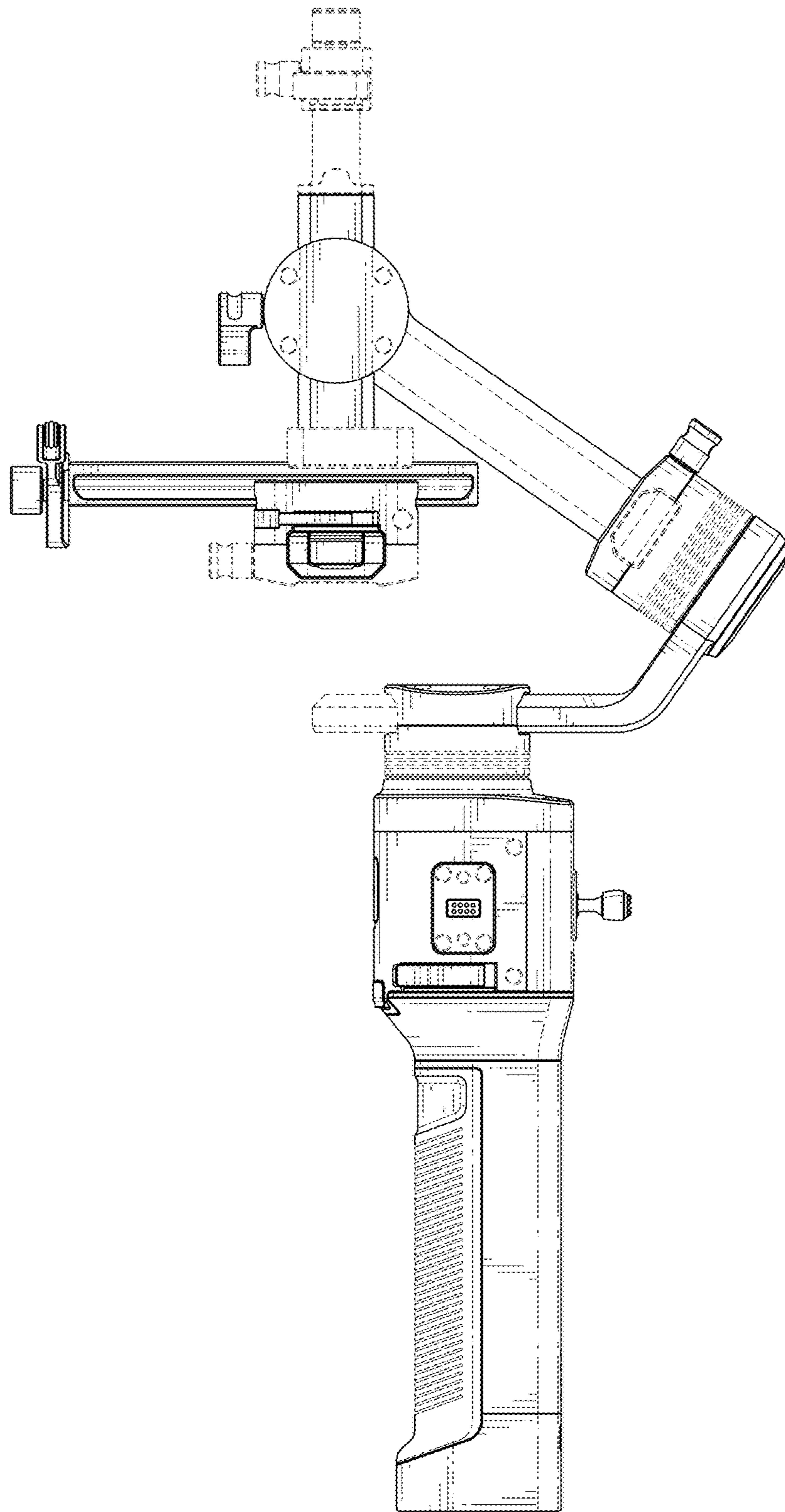


FIG. 5

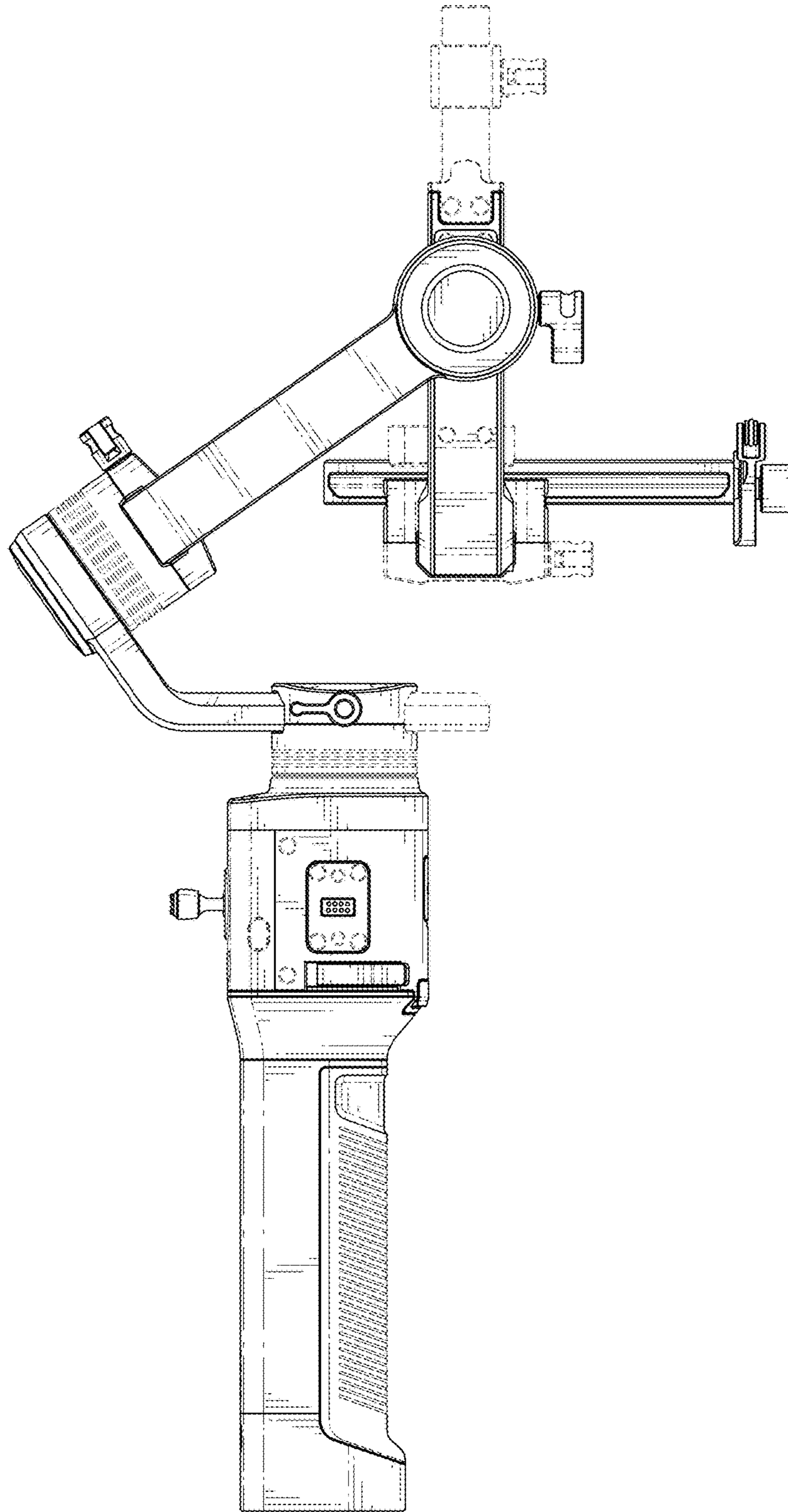


FIG. 6



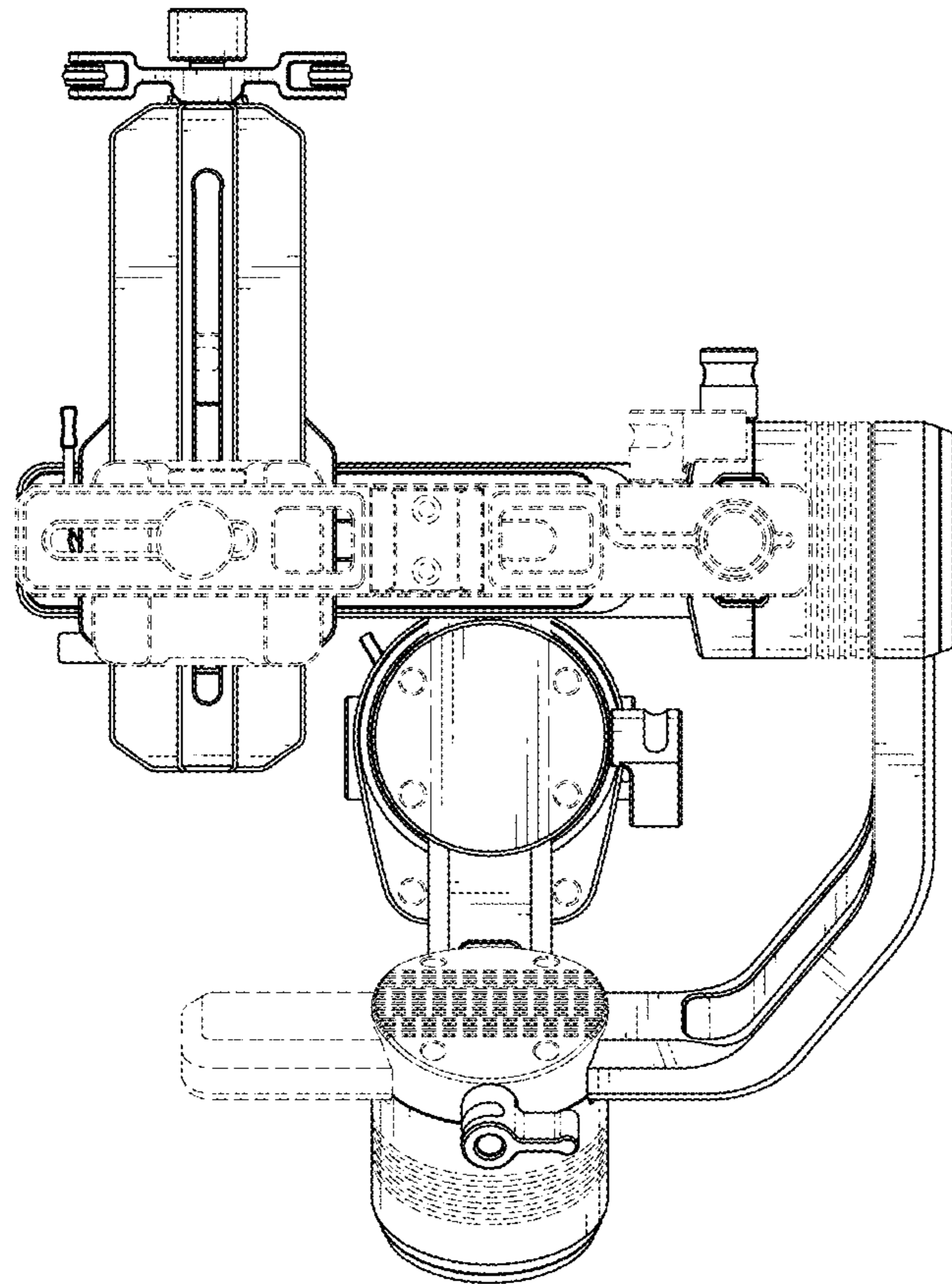


FIG. 7

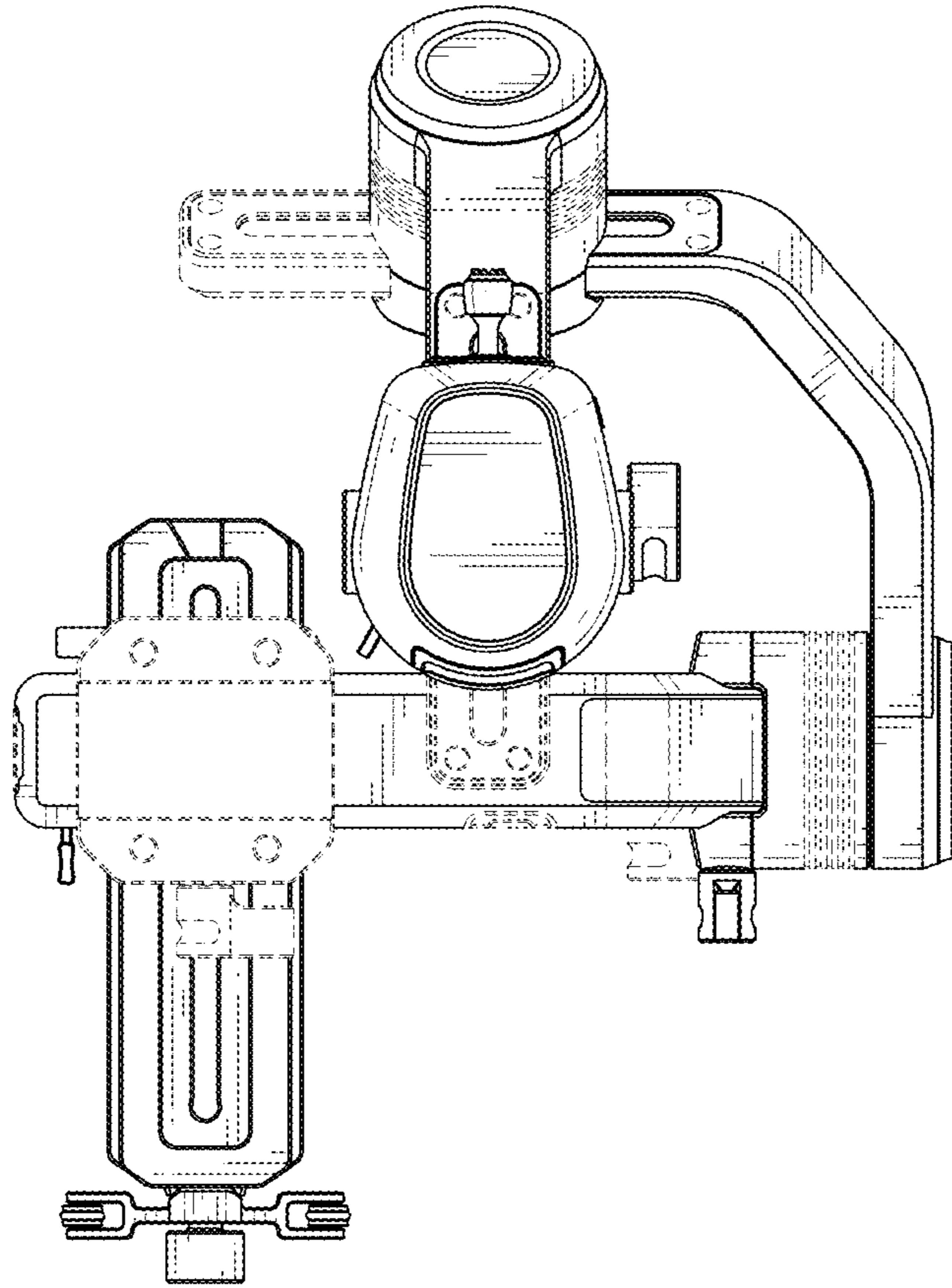


FIG. 8