



US00D866646S

(12) **United States Design Patent** (10) **Patent No.:** **US D866,646 S**
Liu (45) **Date of Patent:** **** Nov. 12, 2019**

(54) **CAMERA FLASH**

(71) Applicant: **Shenzhen Energy Storage Electronics Co., LTD**, Shenzhen (CN)

(72) Inventor: **Hao Liu**, Dongguan (CN)

(73) Assignee: **SHENZHEN ENERGY STORAGE ELECTRONICS CO., LTD**, Shenzhen (CN)

(**) Term: **15 Years**

(21) Appl. No.: **29/587,201**

(22) Filed: **Dec. 12, 2016**

(30) **Foreign Application Priority Data**

May 30, 2016 (CN) 2016 3 0210131

(51) **LOC (12) Cl.** **16-05**

(52) **U.S. Cl.**
USPC **D16/239**

(58) **Field of Classification Search**
USPC D16/219, 237-240
See application file for complete search history.

(56) **References Cited**

U.S. PATENT DOCUMENTS

D241,273	S	*	8/1976	Kadakide	D16/240
D243,327	S	*	2/1977	Beeren	D16/239
D303,266	S	*	9/1989	Kato	D16/239
D342,753	S	*	12/1993	Haga	D16/239
D453,351	S	*	2/2002	Kitera	D16/239
D502,488	S	*	3/2005	Miyashita	D16/239
D562,875	S	*	2/2008	Kitera	D16/239
D695,815	S	*	12/2013	Takahashi	D16/240
D703,723	S	*	4/2014	Soejima	D16/239
D714,853	S	*	10/2014	Imafuji	D16/239
9,485,843	B2	*	11/2016	Oh	H05B 37/0272
D819,115	S	*	5/2018	Nohara	D16/239

OTHER PUBLICATIONS

Altura Photo AP-UNV1 Bundle—DSLR Camera Flash Speedlite for Canon Nikon Sony: Published Jul. 9, 2014 [online], site visited Dec. 19, 2018. Available from Internet URL: https://www.amazon.com/dp/B00LNN13S6/ref=sspa_dk_detail_8?pd_rd_i=B00LNN13S6&th=1 (Year: 2014).*

Photoolex M500 Flash Speedlite Compatible: Published Jul. 7, 2016 [online], site visited Jul. 18, 2019. Available from Internet URL: https://www.amazon.com/dp/B0113BU8AO/ref=cm_sw_r_tw_dp_U_x_B4lmDb4ZKAQDN (Year: 2016).*

Powerextra Professional DF-400 Speedlite Camera Flash: Published Dec. 4, 2013 [online], site visited Jul. 18, 2019. Available from Internet URL: https://www.amazon.com/dp/B00H3EBXJS/ref=psdc_3109929011_t5_B00LNN13S6 (Year: 2013).*

* cited by examiner

Primary Examiner — Jack Reickel

Assistant Examiner — Melvin L Davis

(74) *Attorney, Agent, or Firm* — Hauptman Ham, LLP

(57) **CLAIM**

The ornamental design for a camera flash, as shown and described.

DESCRIPTION

FIG. 1 is a perspective view of a camera flash showing my design;

FIG. 2 is another perspective view thereof;

FIG. 3 is a front elevational view thereof;

FIG. 4 is a back elevational view thereof;

FIG. 5 is a left side view thereof;

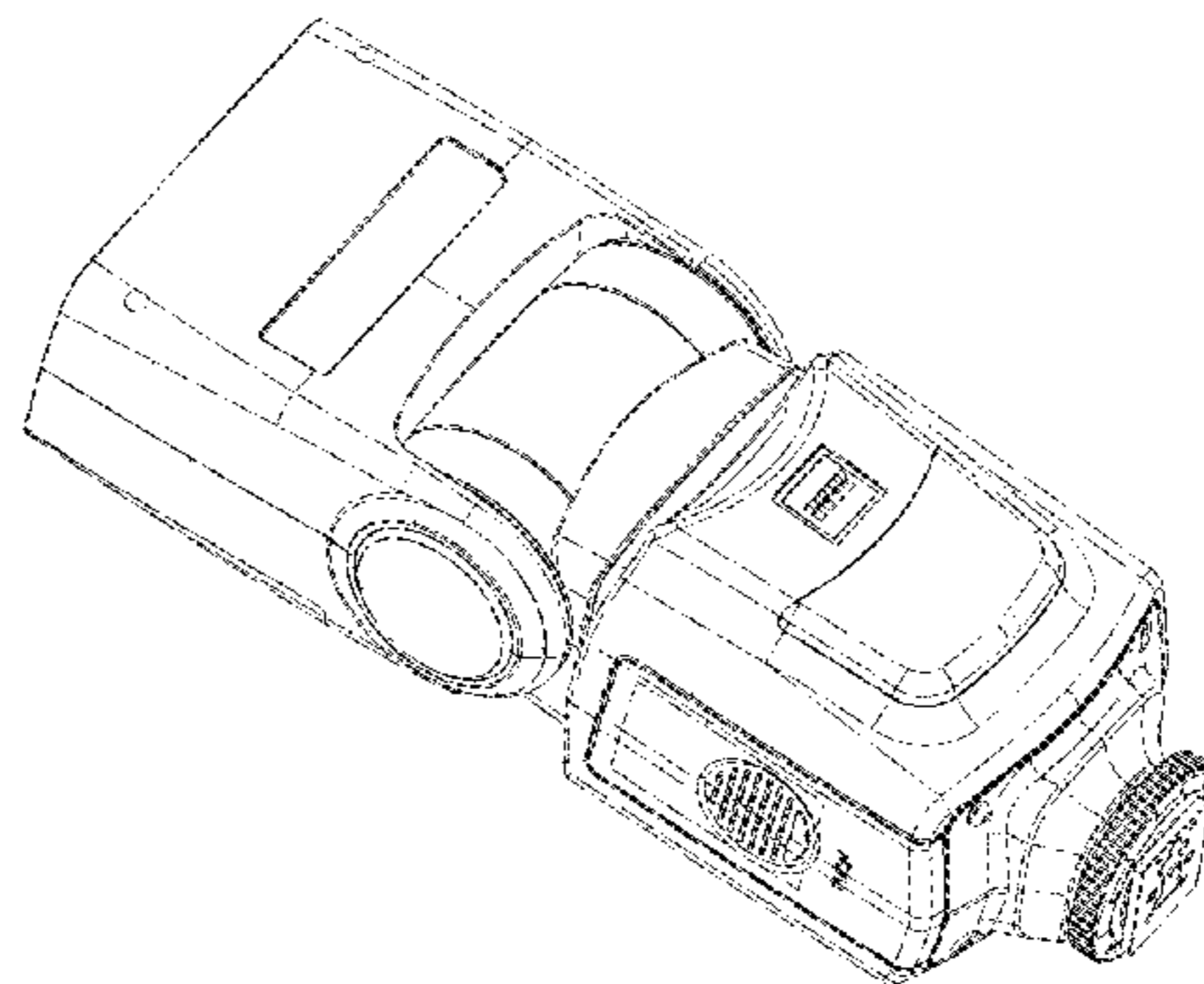
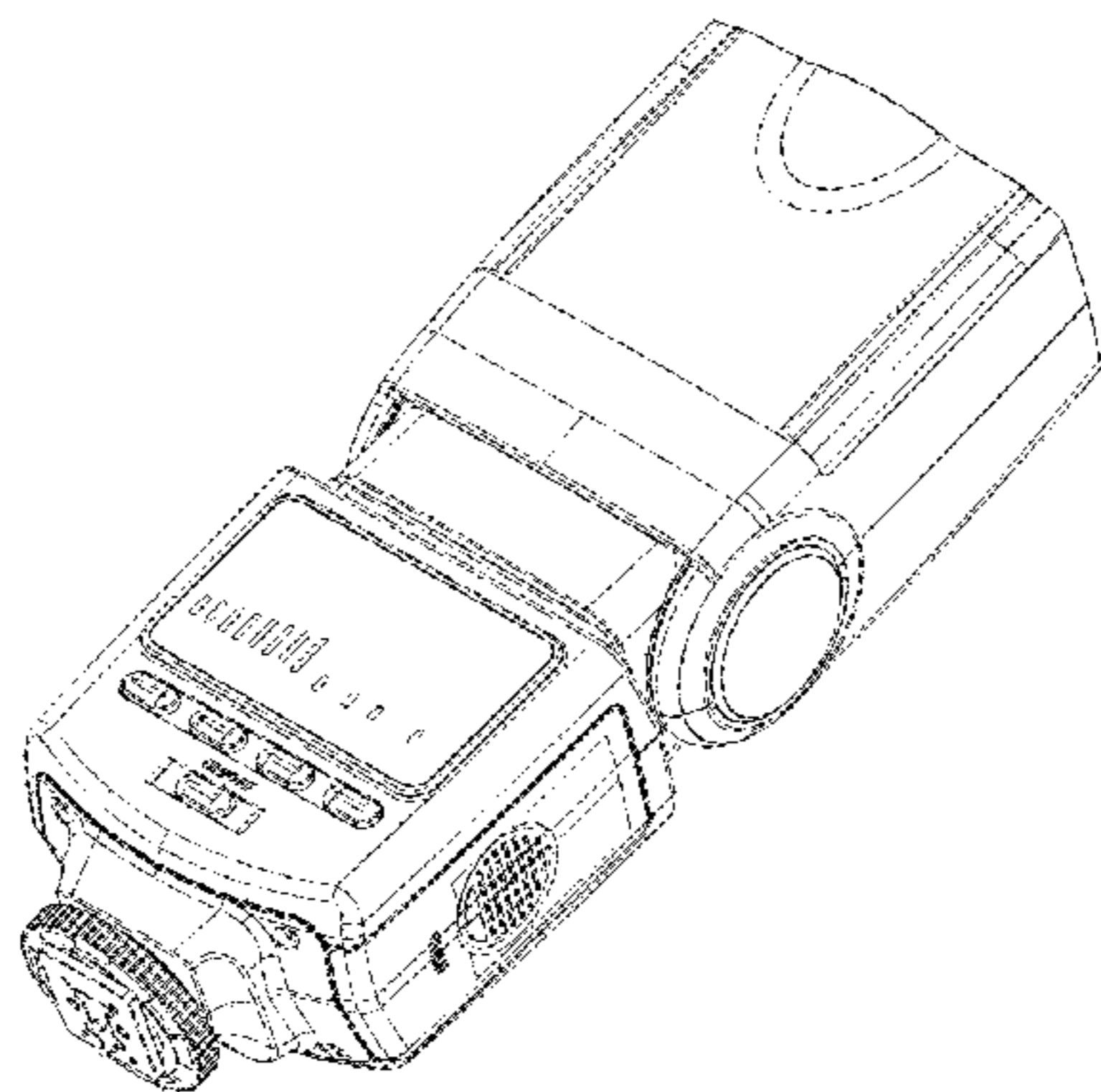
FIG. 6 is a right side view thereof;

FIG. 7 is a top plan view thereof; and,

FIG. 8 is a bottom plan view thereof.

The broken lines in the drawings illustrate portions of the camera flash that form no part of the claim.

1 Claim, 8 Drawing Sheets



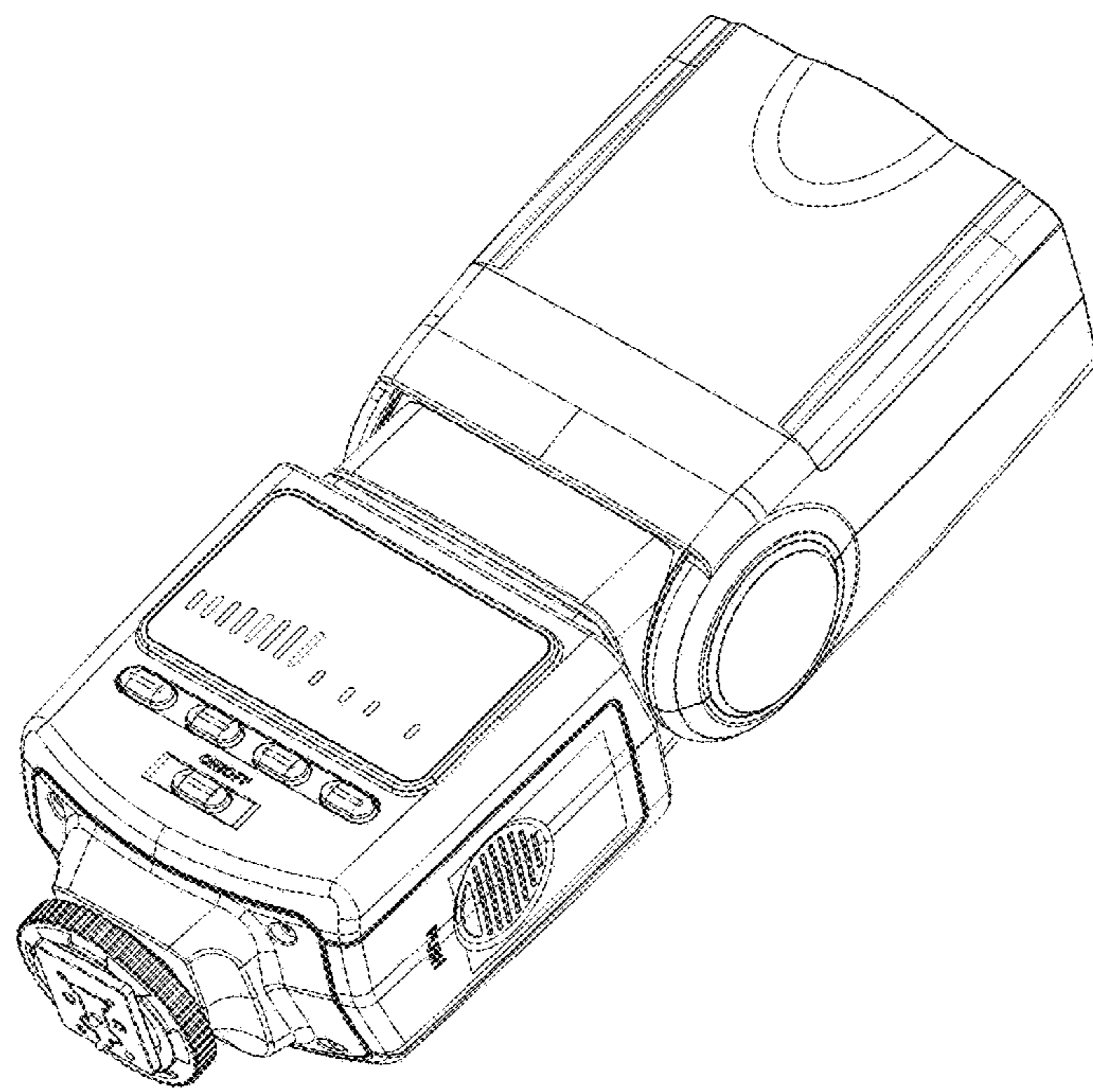


FIG. 1

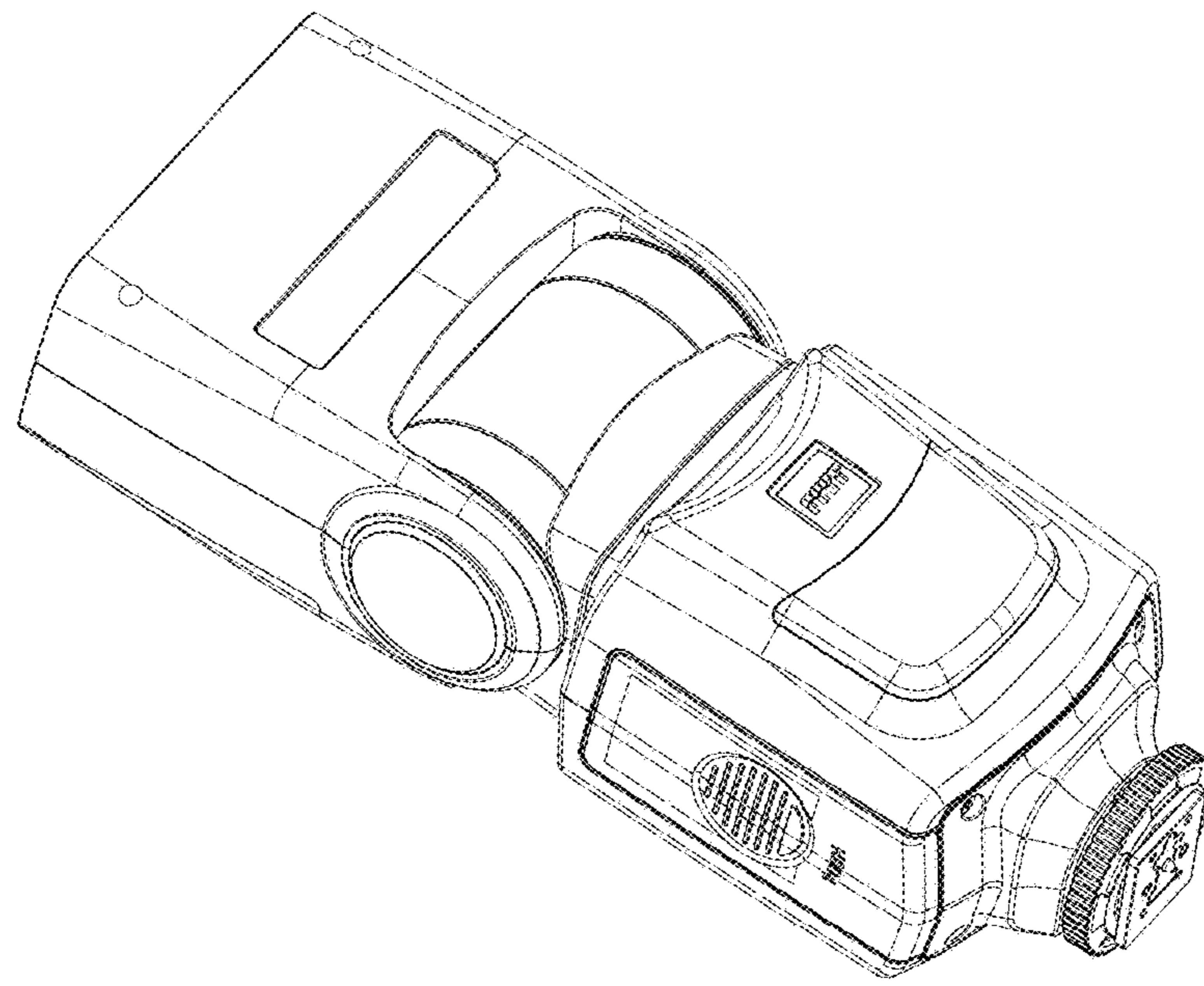


FIG. 2

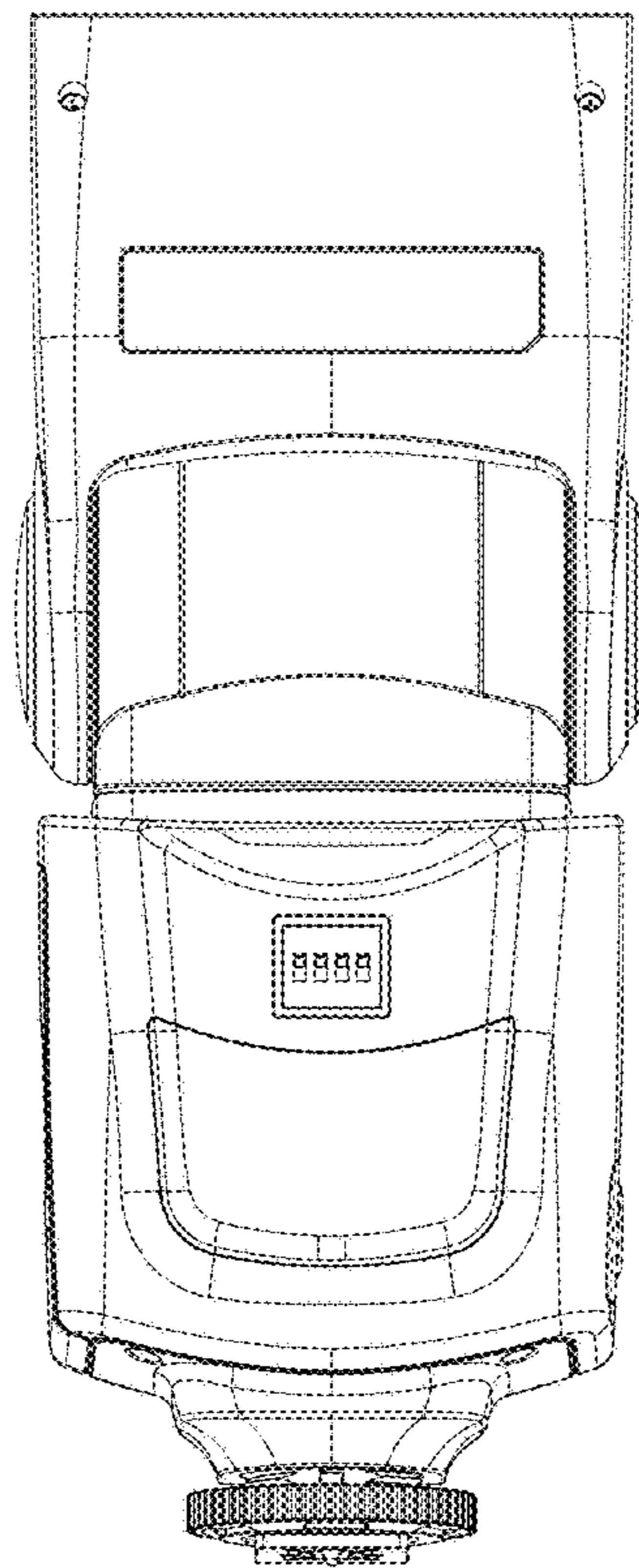


FIG. 3

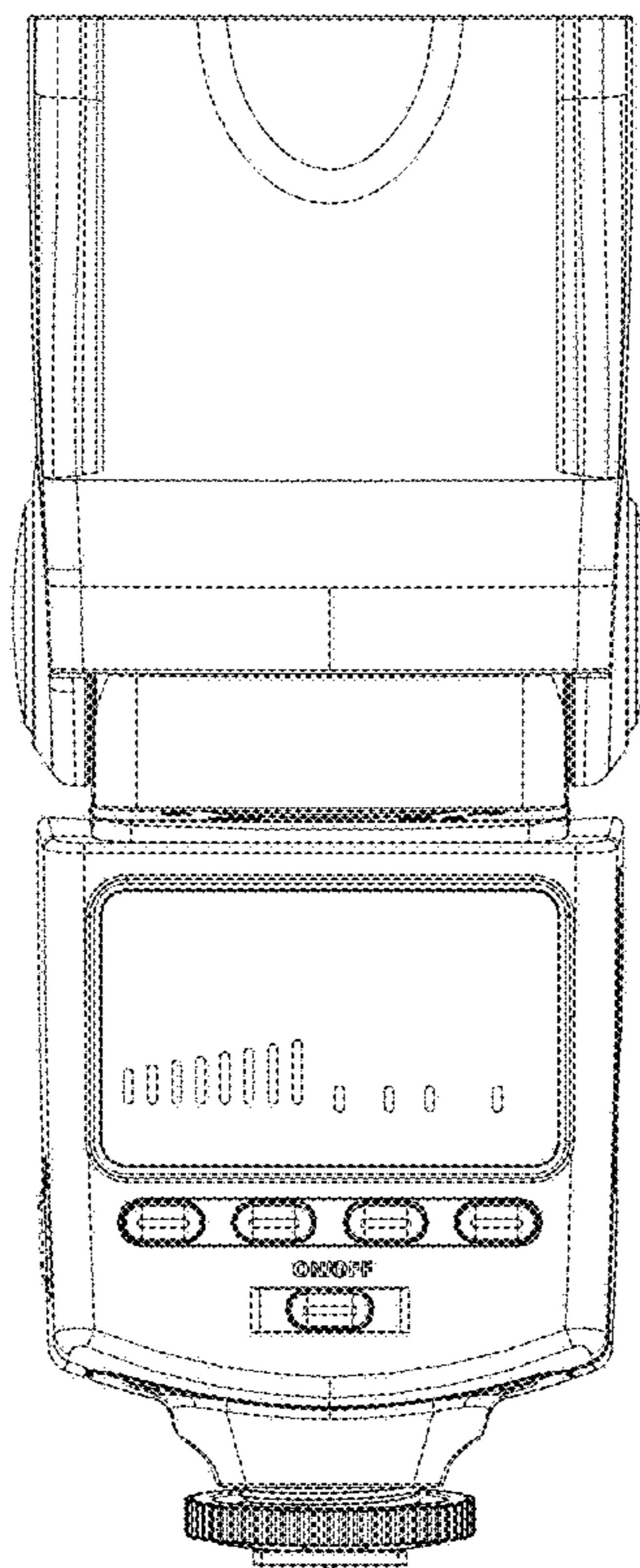


FIG. 4

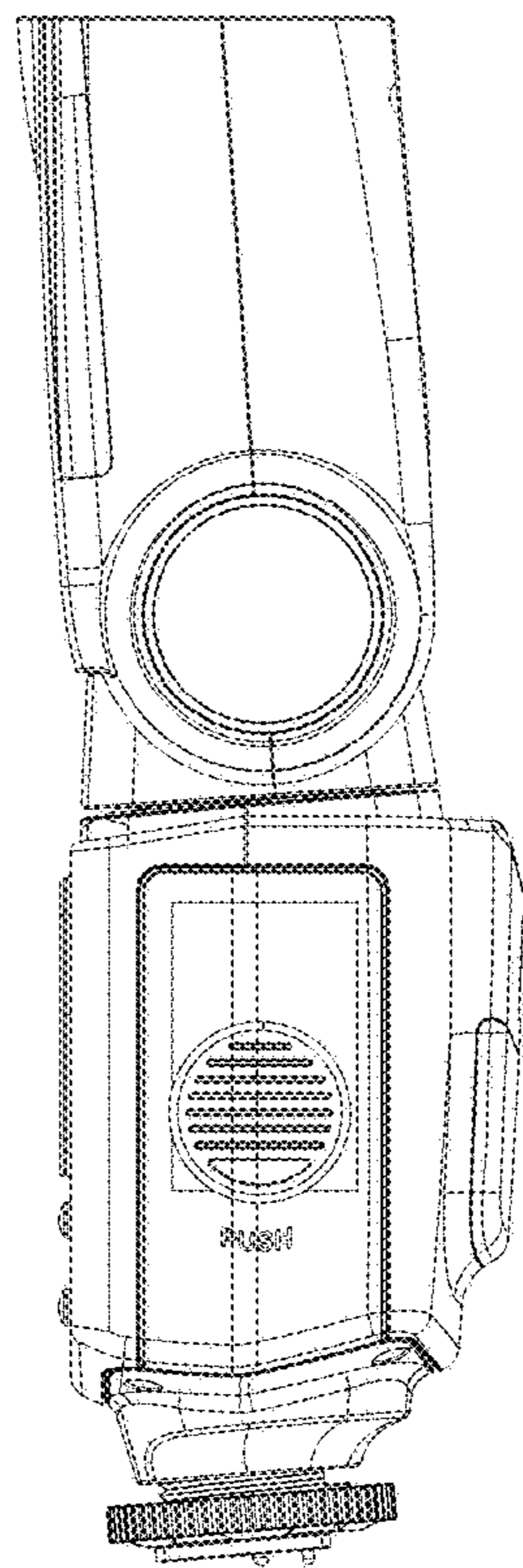


FIG. 5

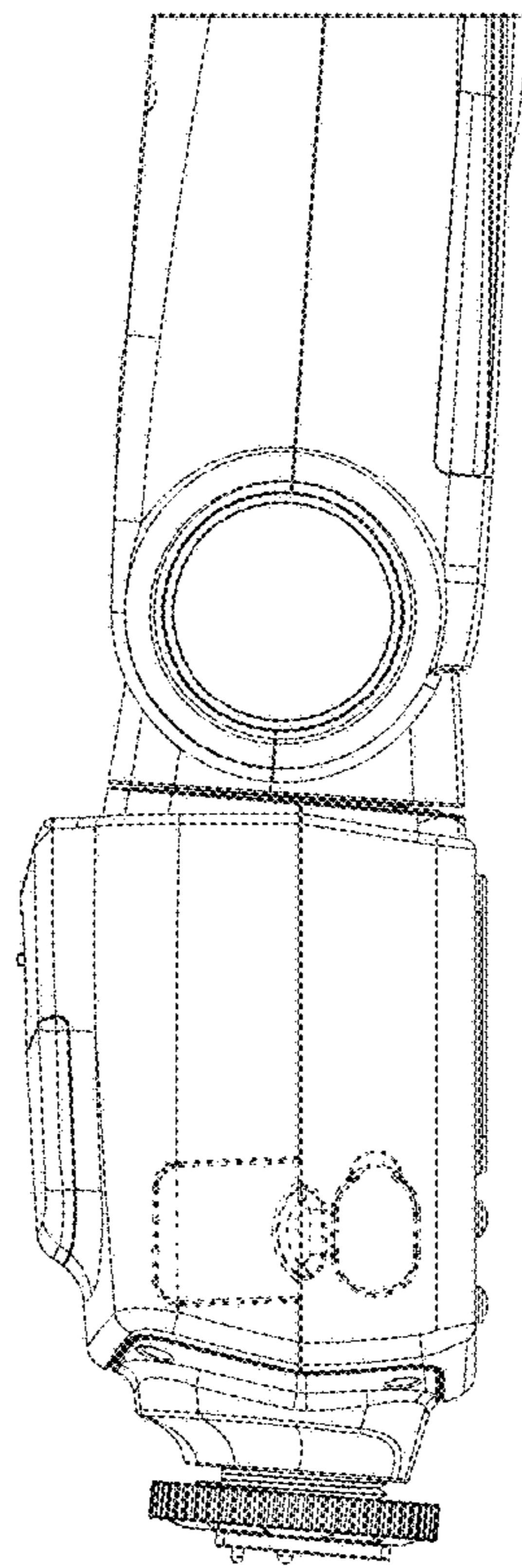


FIG. 6

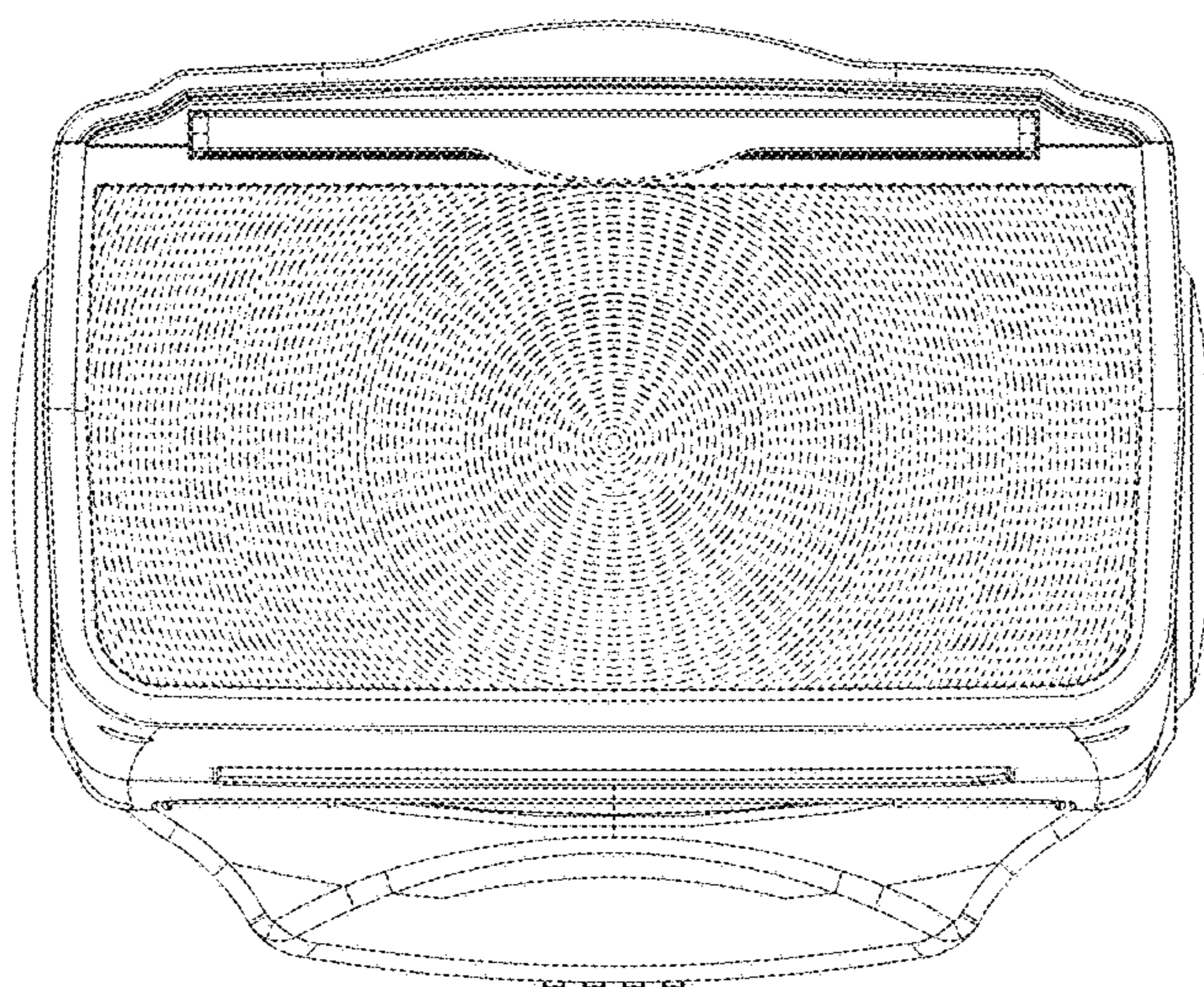


FIG. 7

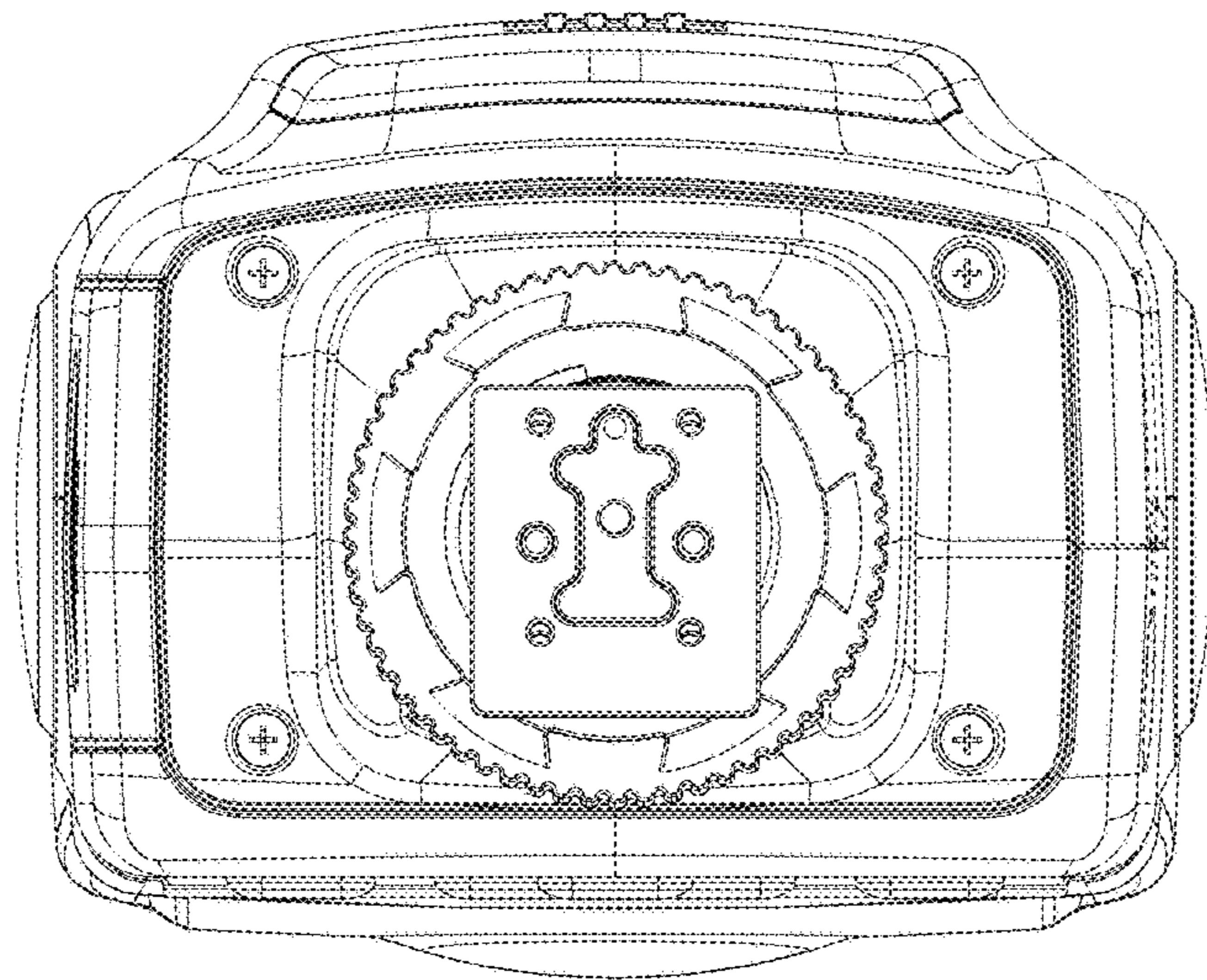


FIG. 8