



US00D866644S

(12) **United States Design Patent**  
**Kayano**

(10) **Patent No.:** **US D866,644 S**

(45) **Date of Patent:** **\*\* Nov. 12, 2019**

(54) **PROJECTOR LENS UNIT FOR A PROJECTOR**

D845,375 S \* 4/2019 Kuroda ..... D16/235  
D848,518 S \* 5/2019 Kuroda ..... D16/235  
D849,121 S \* 5/2019 Ito ..... D16/235

(71) Applicant: **FUJIFILM Corporation**, Tokyo (JP)

FOREIGN PATENT DOCUMENTS

(72) Inventor: **Hironobu Kayano**, Saitama (JP)

JP D1602051 \* 6/2017  
JP 1580880 S 7/2017

(73) Assignee: **FUJIFILM Corporation**, Tokyo (JP)

OTHER PUBLICATIONS

(\*\*) Term: **15 Years**

ELPLX02 Ultra Short-throw Lens. Retrieved on Jun. 29, 2019. Retrieved from the Internet: <https://epson.com/Accessories/Projector-Accessories/ELPLX02-Ultra-Short-throw-Lens/p/V12H004X02>.  
Japanese Office Action, dated Jul. 10, 2018, for Japanese Application No. 2017-026755, with a partial English translation.

(21) Appl. No.: **29/649,327**

(22) Filed: **May 29, 2018**

\* cited by examiner

(30) **Foreign Application Priority Data**

Nov. 30, 2017 (JP) ..... 2017-026755

*Primary Examiner* — Wan Laymon

(51) **LOC (12) Cl.** ..... **16-02**

(74) *Attorney, Agent, or Firm* — Birch, Stewart, Kolasch & Birch, LLP

(52) **U.S. Cl.**  
USPC ..... **D16/235**

(58) **Field of Classification Search**  
USPC ..... D16/235, 221, 225, 245, 219, 134, 136;  
D21/514; 348/375; 396/529; 353/119,  
353/100-101, 122  
CPC ..... G03B 3/02; G03B 21/14; G03B 21/142;  
G03B 21/145; G03B 21/54; G02B  
13/0025

(57) **CLAIM**

The ornamental design for a projector lens unit for a projector, as shown and described.

See application file for complete search history.

**DESCRIPTION**

FIG. 1 is a perspective view of a projector lens unit for a projector, showing the new design;  
FIG. 2 is a front view thereof;  
FIG. 3 is a rear view thereof;  
FIG. 4 is a top view thereof;  
FIG. 5 is a bottom view thereof;  
FIG. 6 is a right view thereof; and,  
FIG. 7 is a left view thereof.

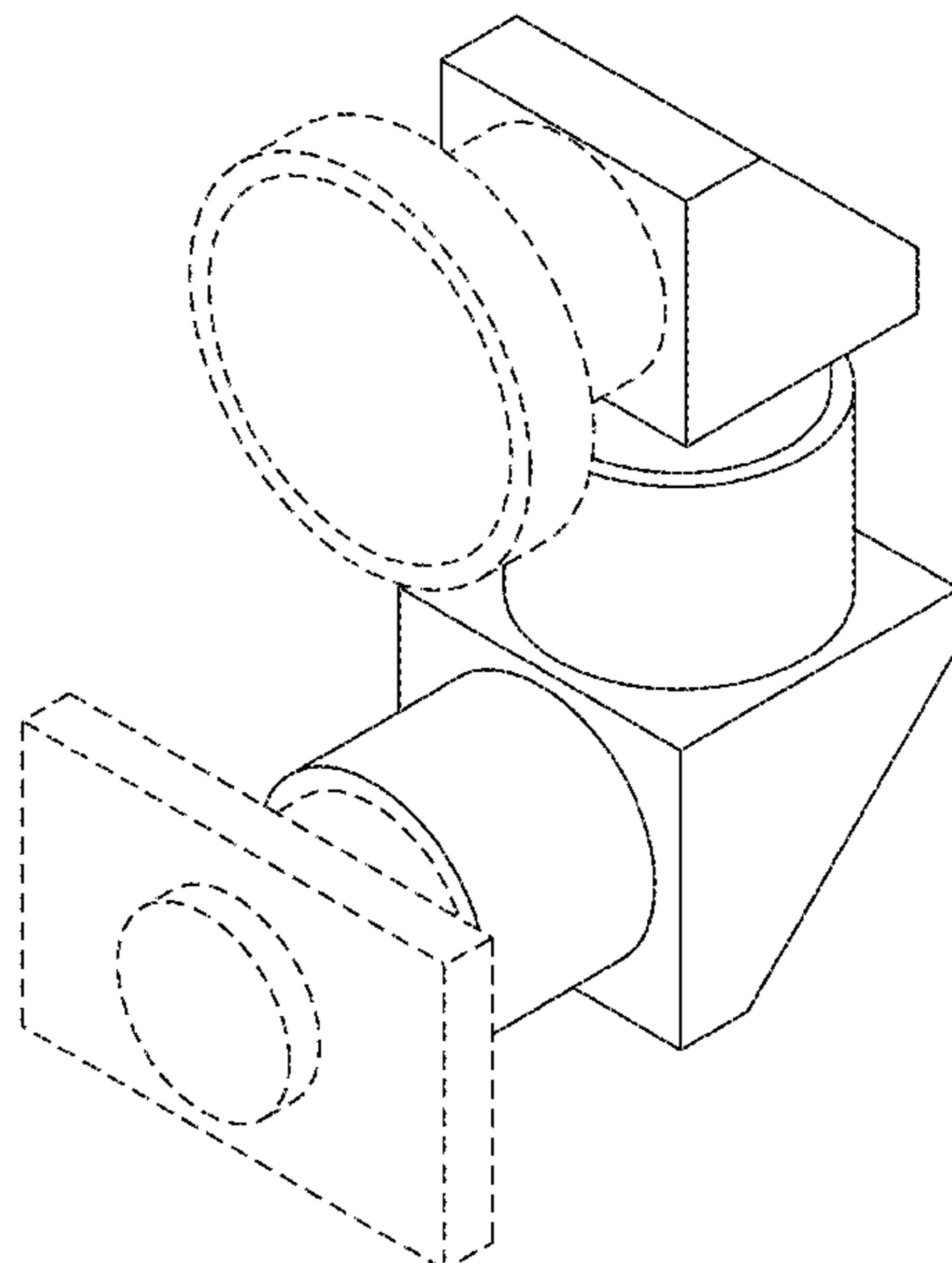
The broken lines shown in the drawings depict portions of the projector lens unit for a projector that form no part of the claimed design.

(56) **References Cited**

U.S. PATENT DOCUMENTS

2,428,719 A \* 10/1947 Nemeth ..... G02B 7/04  
D16/134  
D554,174 S \* 10/2007 Nakayama ..... D16/235  
8,491,126 B2 \* 7/2013 Ko ..... G03B 21/16  
353/101  
D780,820 S \* 3/2017 Sedazzari ..... D16/134  
D813,286 S \* 3/2018 Sedazzari ..... D16/134

**1 Claim, 7 Drawing Sheets**



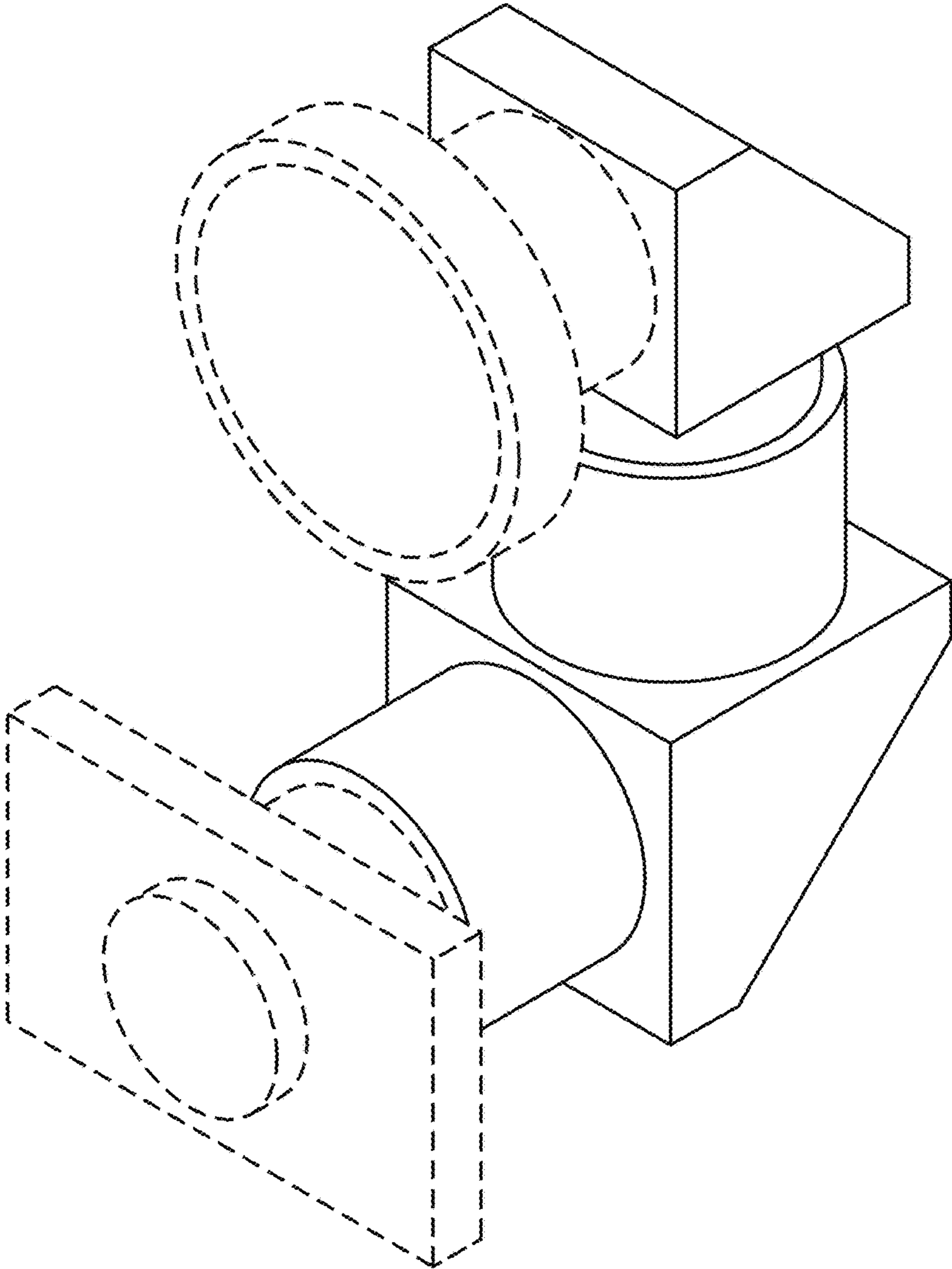


FIG.1

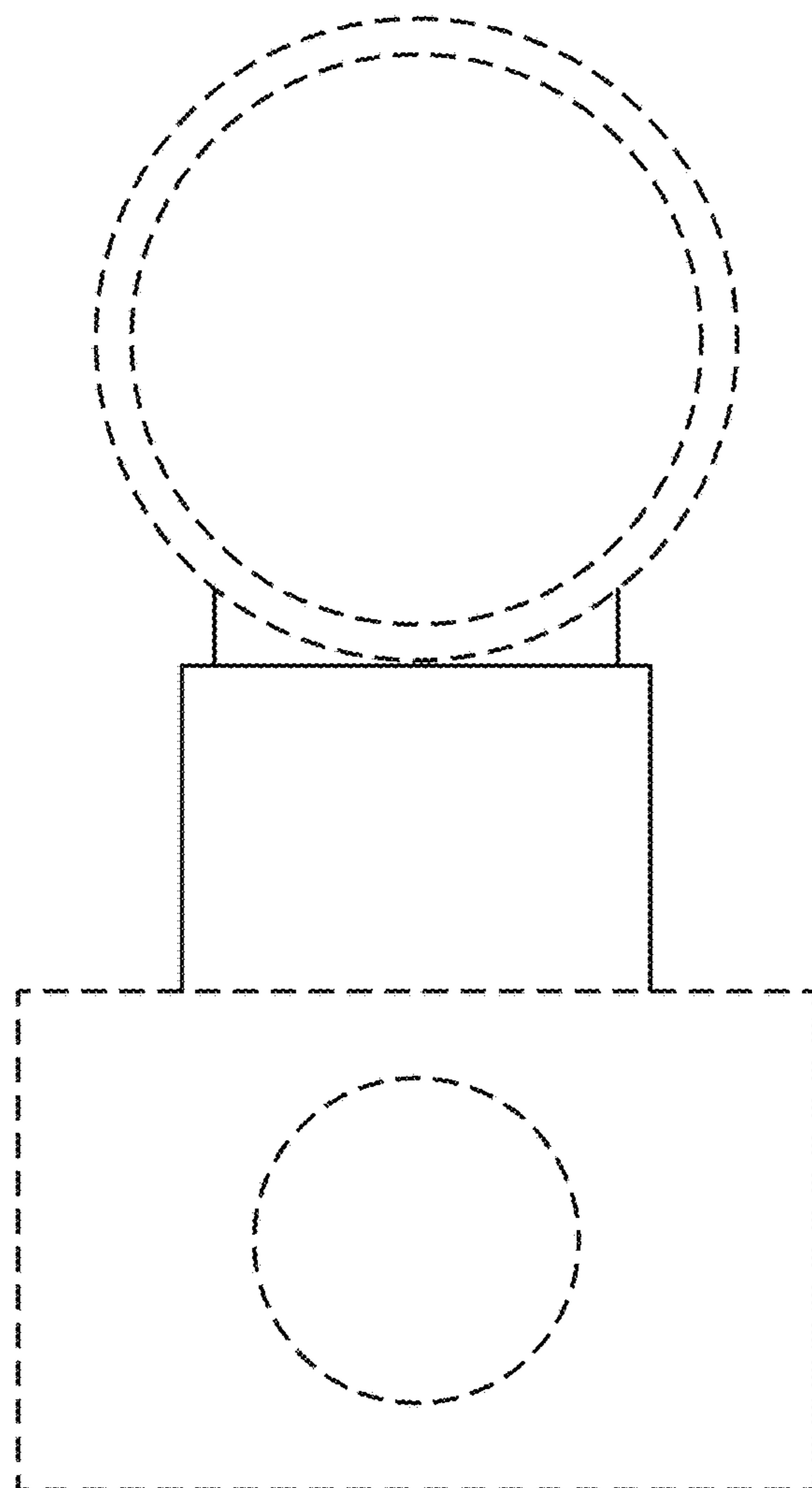


FIG.2

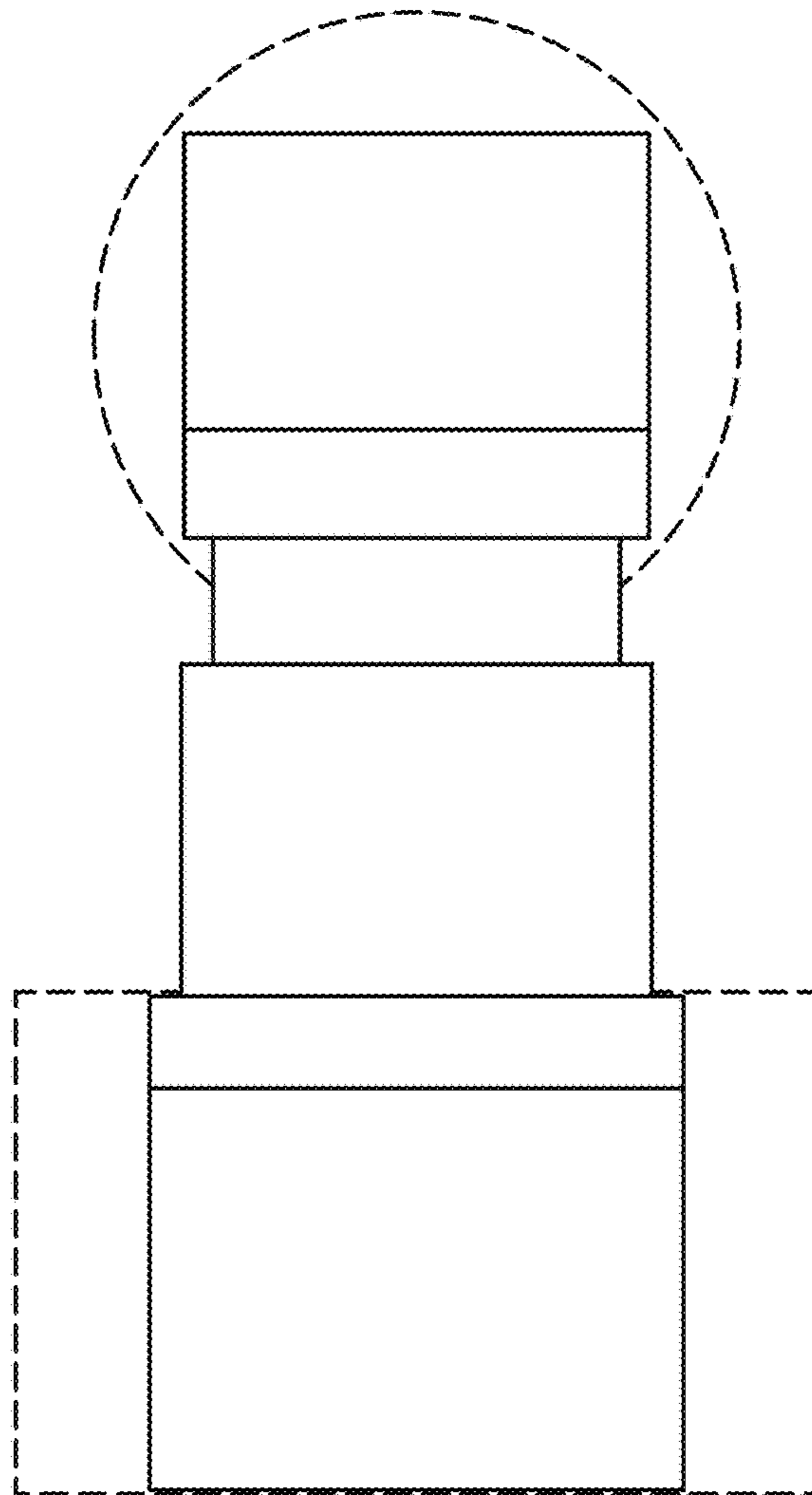


FIG.3

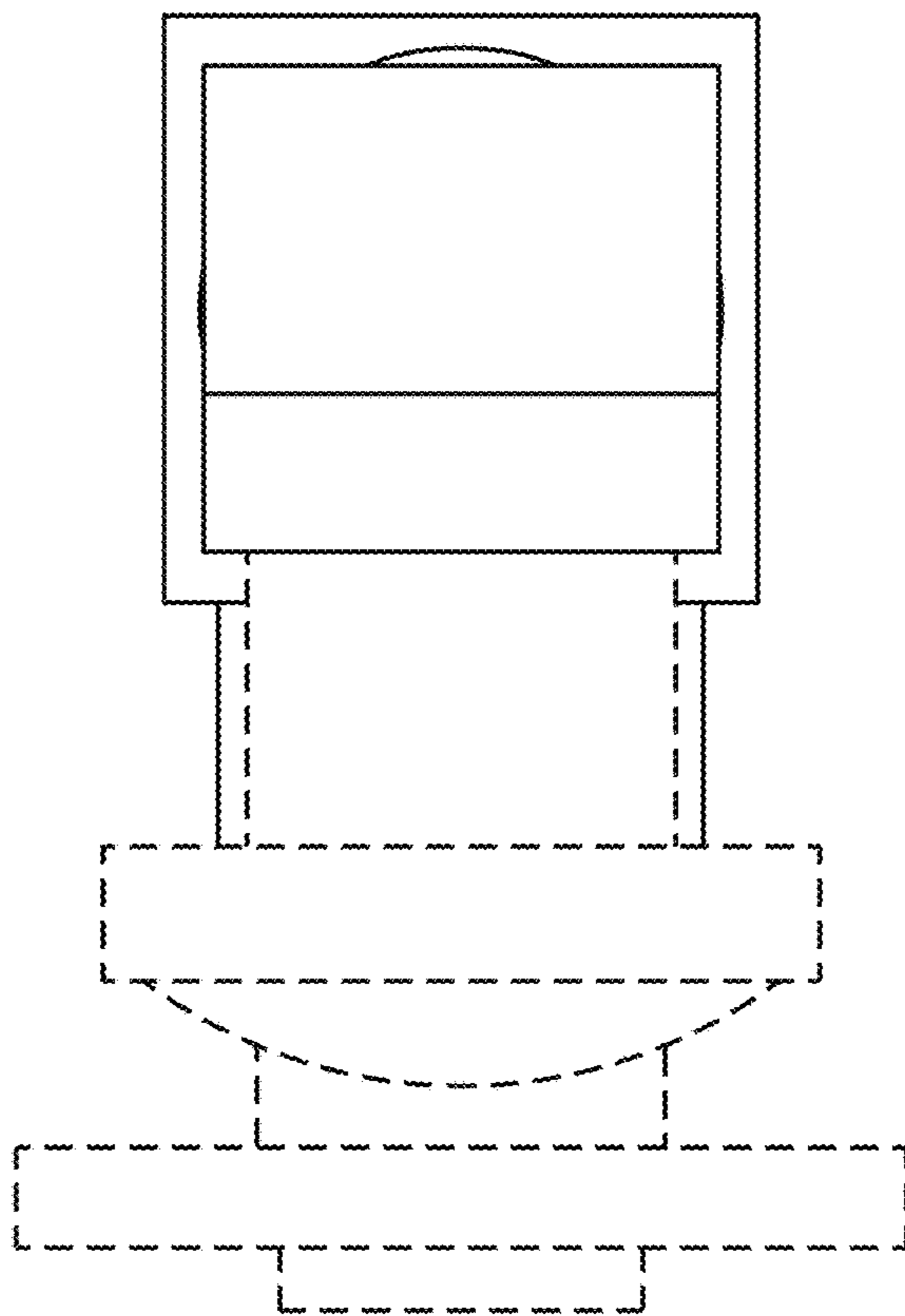


FIG.4

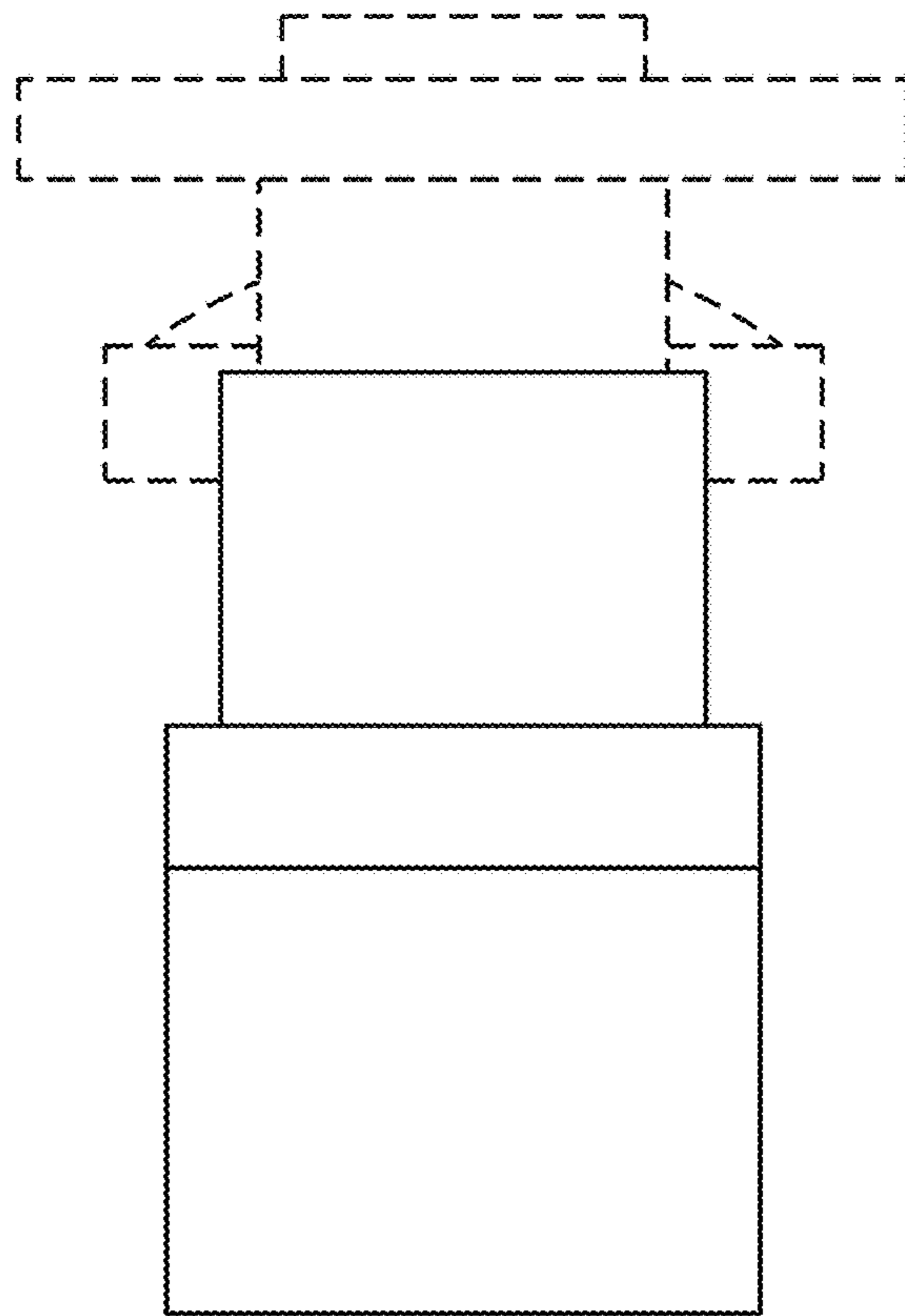


FIG.5

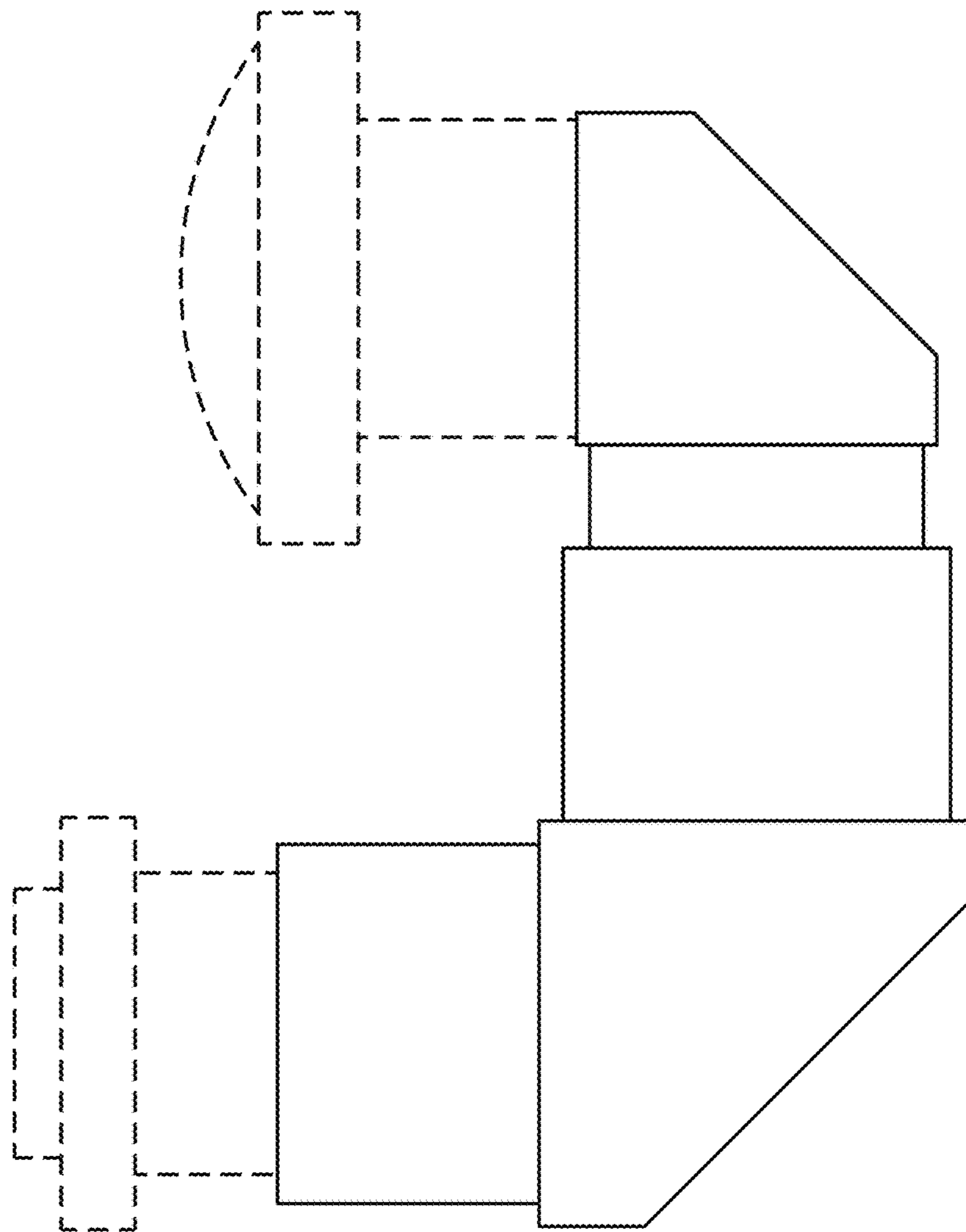


FIG.6

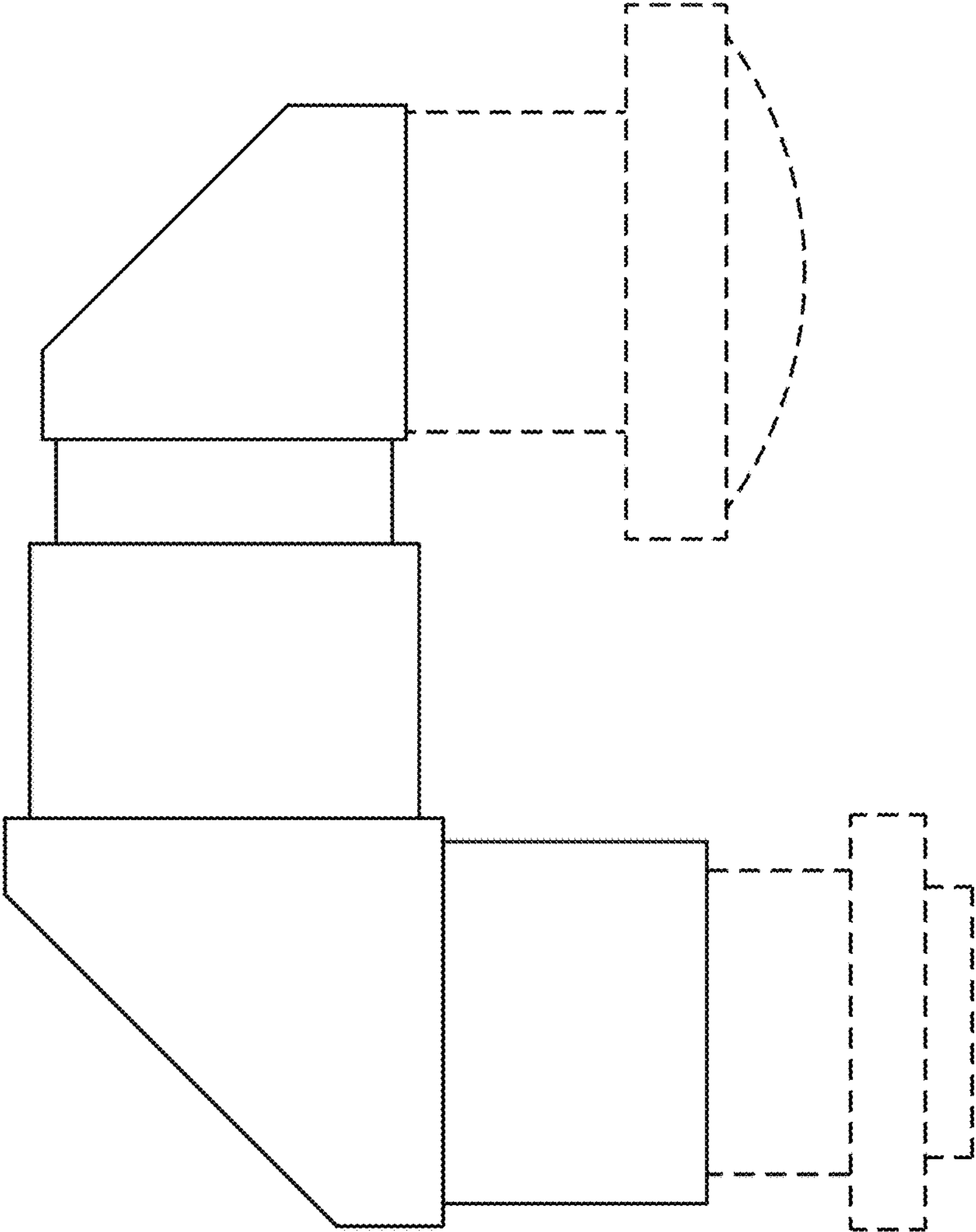


FIG.7