

US00D866643S

(12) **United States Design Patent**  
**Liang**

(10) **Patent No.:** **US D866,643 S**

(45) **Date of Patent:** **\*\* Nov. 12, 2019**

(54) **PROJECTOR**

(71) Applicant: **Guomao Liang**, Guangdong (CN)

(72) Inventor: **Guomao Liang**, Guangdong (CN)

(73) Assignee: **SHENZHEN RUIYING ELECTRONIC CO., LTD**, Shenzhen, Guangdong (CN)

(\*\*) Term: **15 Years**

(21) Appl. No.: **29/648,623**

(22) Filed: **May 23, 2018**

(51) **LOC (12) Cl.** ..... **16-02**

(52) **U.S. Cl.**  
USPC ..... **D16/230**

(58) **Field of Classification Search**  
USPC ..... D16/221, 225, 230–231, 234; D21/514;  
353/119  
CPC .... G03B 21/145; G03B 21/14; G03B 21/142;  
G03B 21/00; G03B 21/001; G03B  
21/003; G03B 21/12; G03B 21/16  
See application file for complete search history.

(56) **References Cited**

**U.S. PATENT DOCUMENTS**

|            |   |         |          |       |         |
|------------|---|---------|----------|-------|---------|
| D503,733 S | * | 4/2005  | Kurokawa | ..... | D16/225 |
| D555,185 S | * | 11/2007 | Nozue    | ..... | D16/225 |
| D575,811 S | * | 8/2008  | Ohki     | ..... | D16/225 |
| D631,080 S | * | 1/2011  | Han      | ..... | D16/225 |
| D656,532 S | * | 3/2012  | Ogawa    | ..... | D16/230 |

|            |   |         |         |       |         |
|------------|---|---------|---------|-------|---------|
| D664,585 S | * | 7/2012  | Senda   | ..... | D16/225 |
| D709,938 S | * | 7/2014  | Okamoto | ..... | D16/225 |
| D711,452 S | * | 8/2014  | Song    | ..... | D16/225 |
| D831,096 S | * | 10/2018 | Gao     | ..... | D16/230 |

**FOREIGN PATENT DOCUMENTS**

|    |           |   |        |
|----|-----------|---|--------|
| CN | 304288196 | * | 3/2017 |
| CN | 304940428 | * | 4/2018 |
| CN | 304940429 | * | 4/2018 |

\* cited by examiner

*Primary Examiner* — Wan Laymon

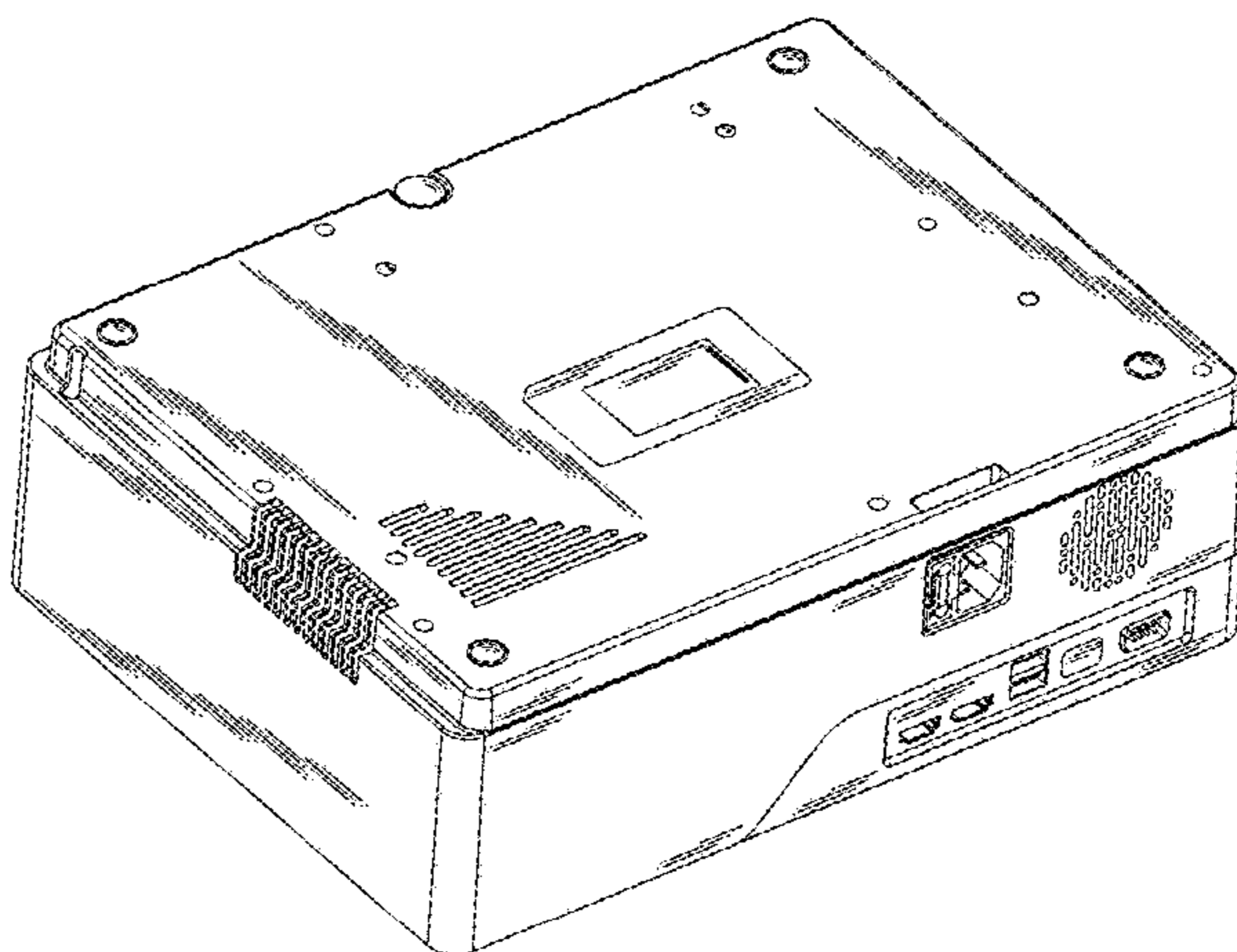
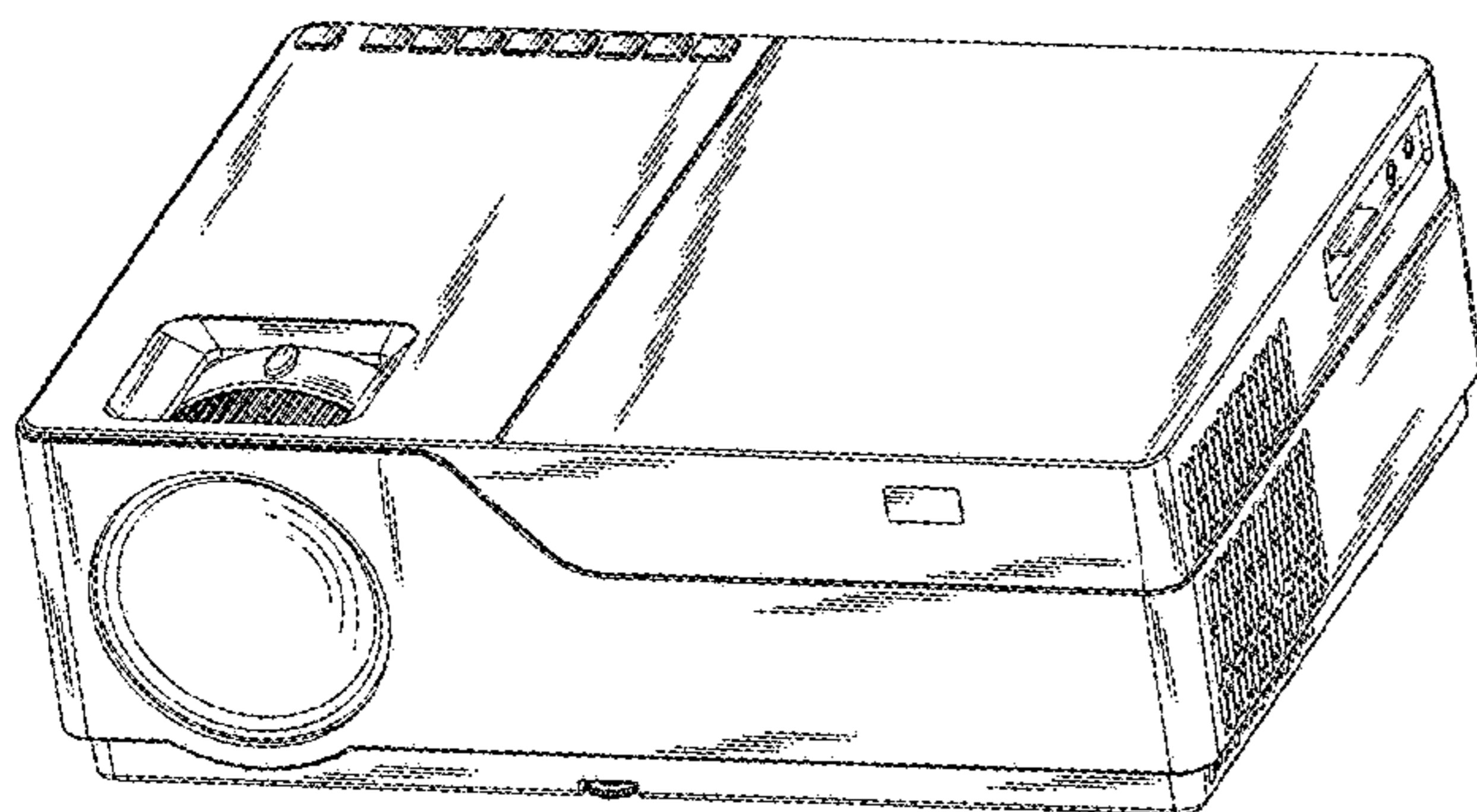
(57) **CLAIM**

The ornamental design for a projector, as shown and described.

**DESCRIPTION**

FIG. 1 is a top, front, and right side perspective view of a projector showing my new design;  
FIG. 2 is a bottom, rear, and left side perspective view thereof;  
FIG. 3 is a front elevational view thereof;  
FIG. 4 is a rear elevational view thereof;  
FIG. 5 is a left side elevational view thereof;  
FIG. 6 is a right side elevational view thereof;  
FIG. 7 is a top plan view thereof; and,  
FIG. 8 is a bottom plan view thereof.

**1 Claim, 8 Drawing Sheets**



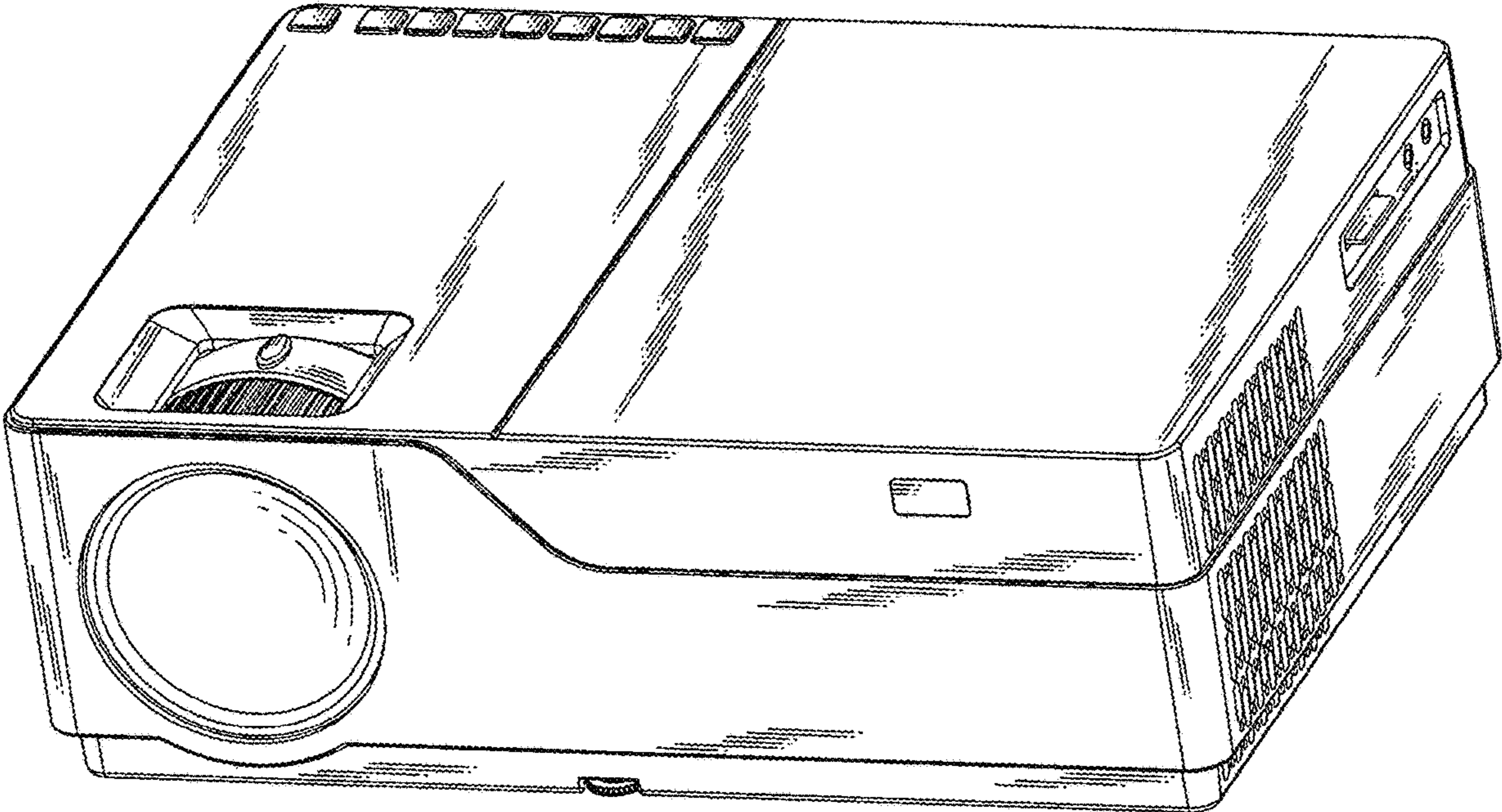


FIG.1

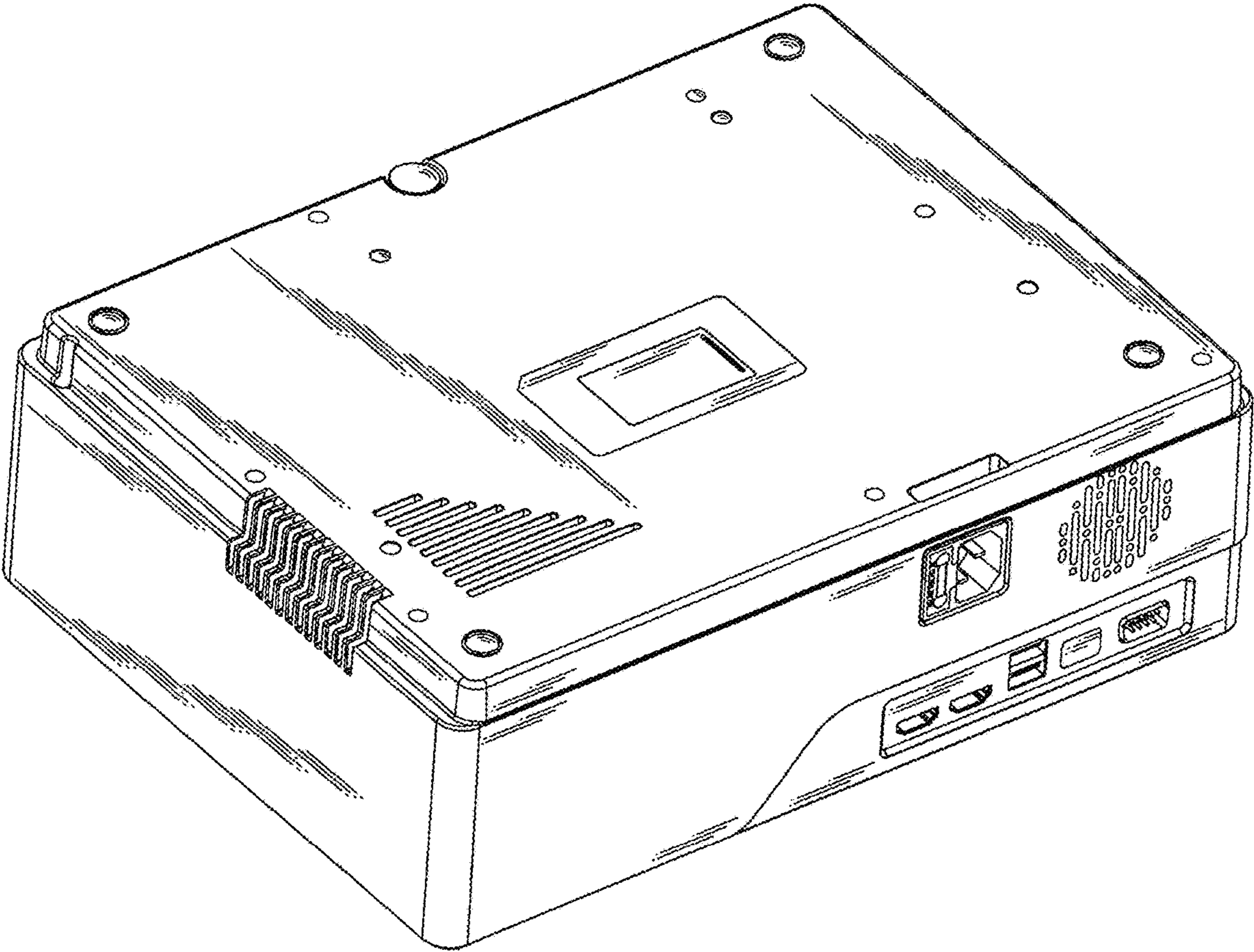


FIG.2

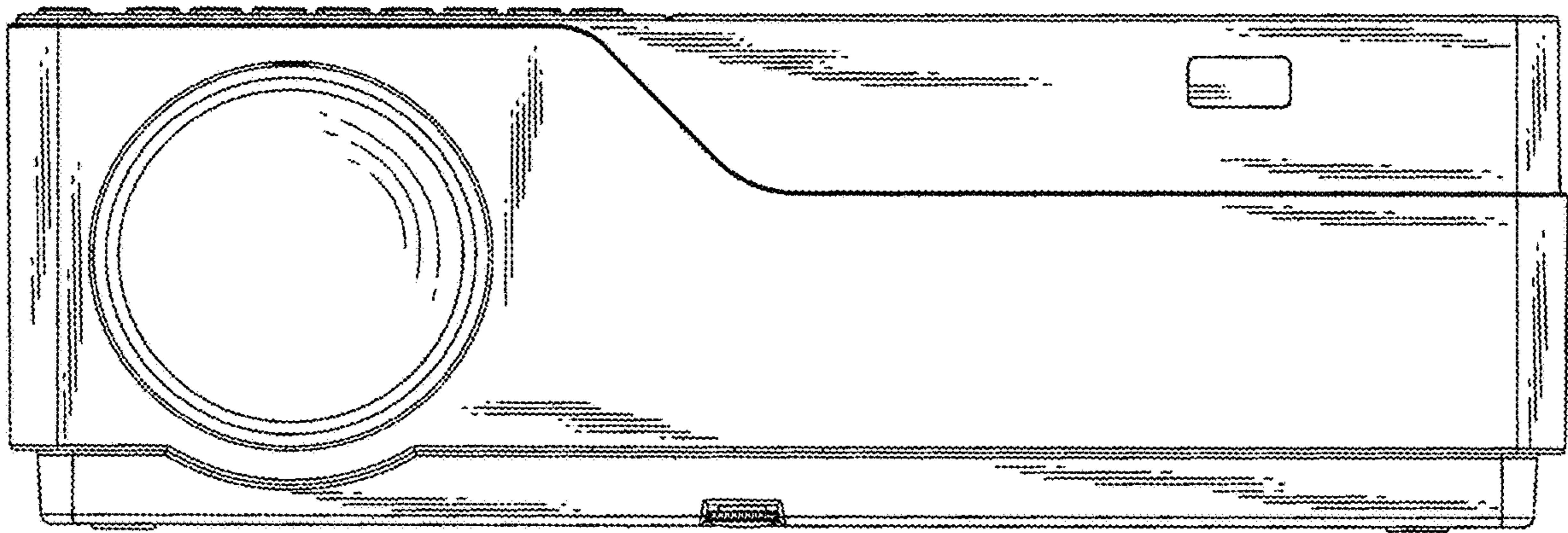


FIG.3

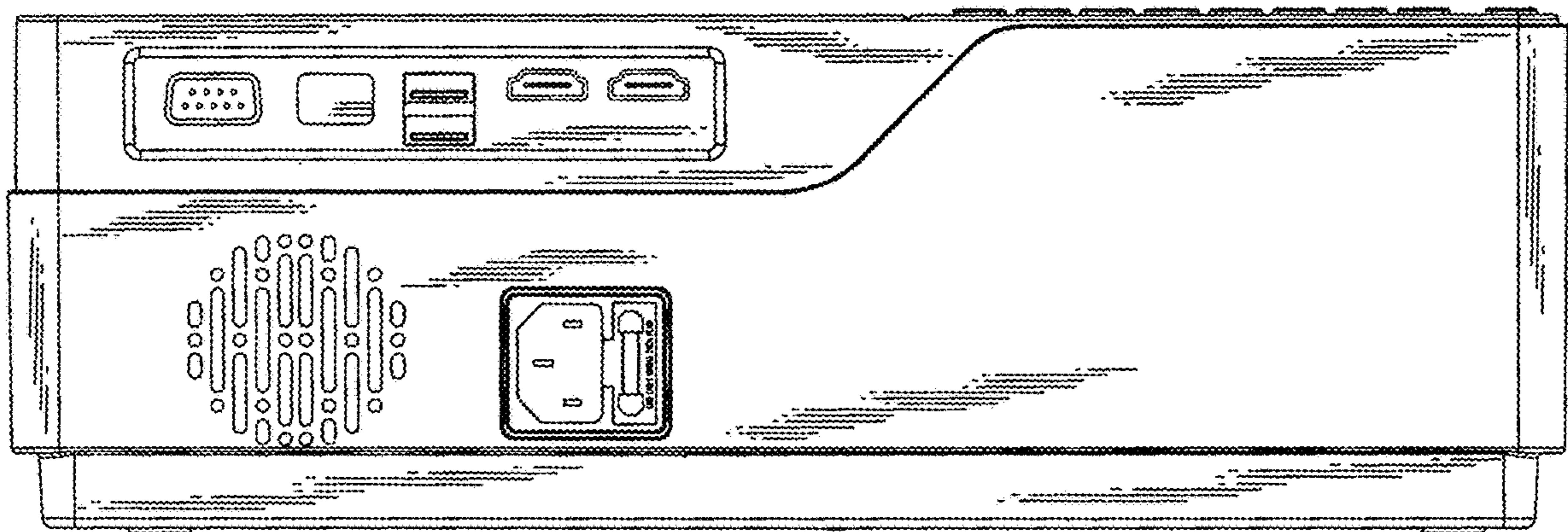


FIG.4

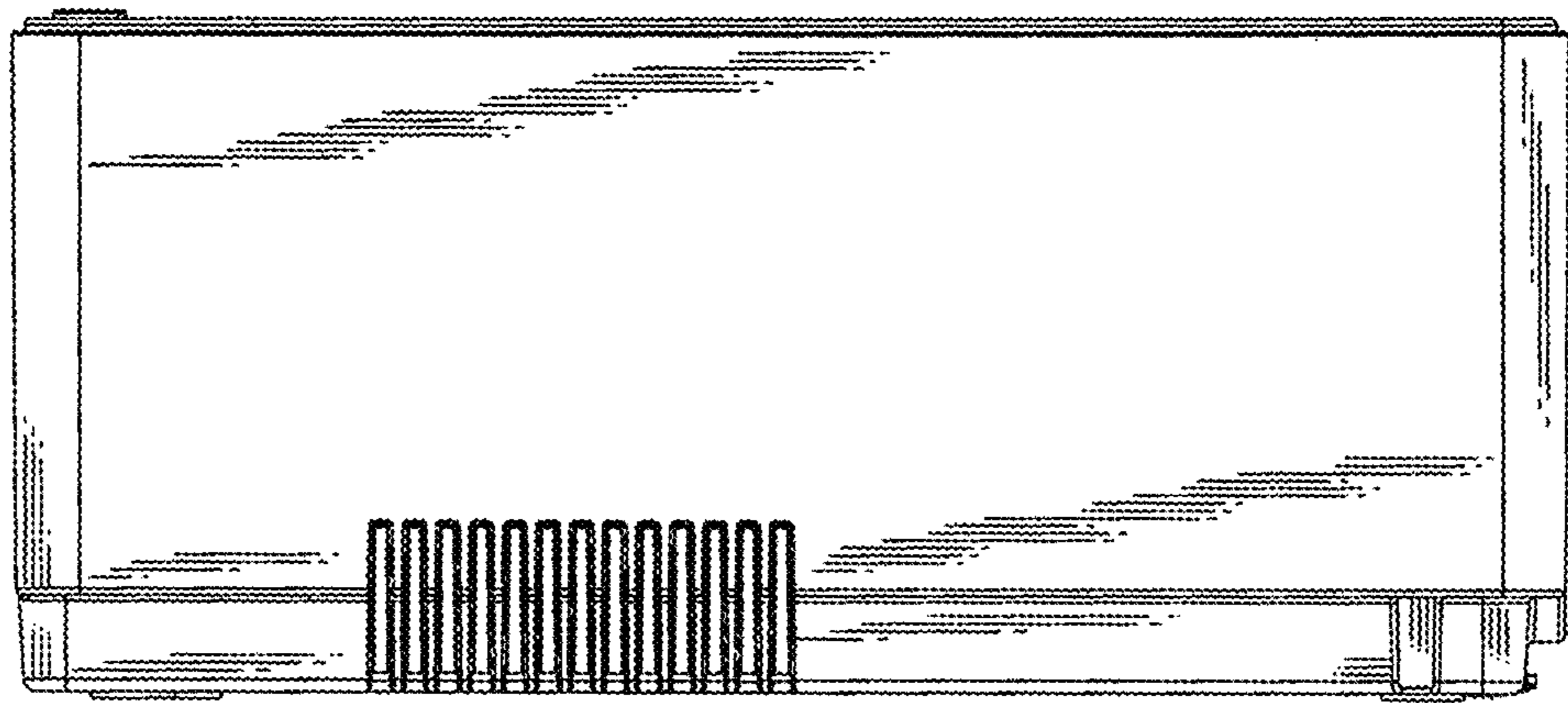


FIG.5

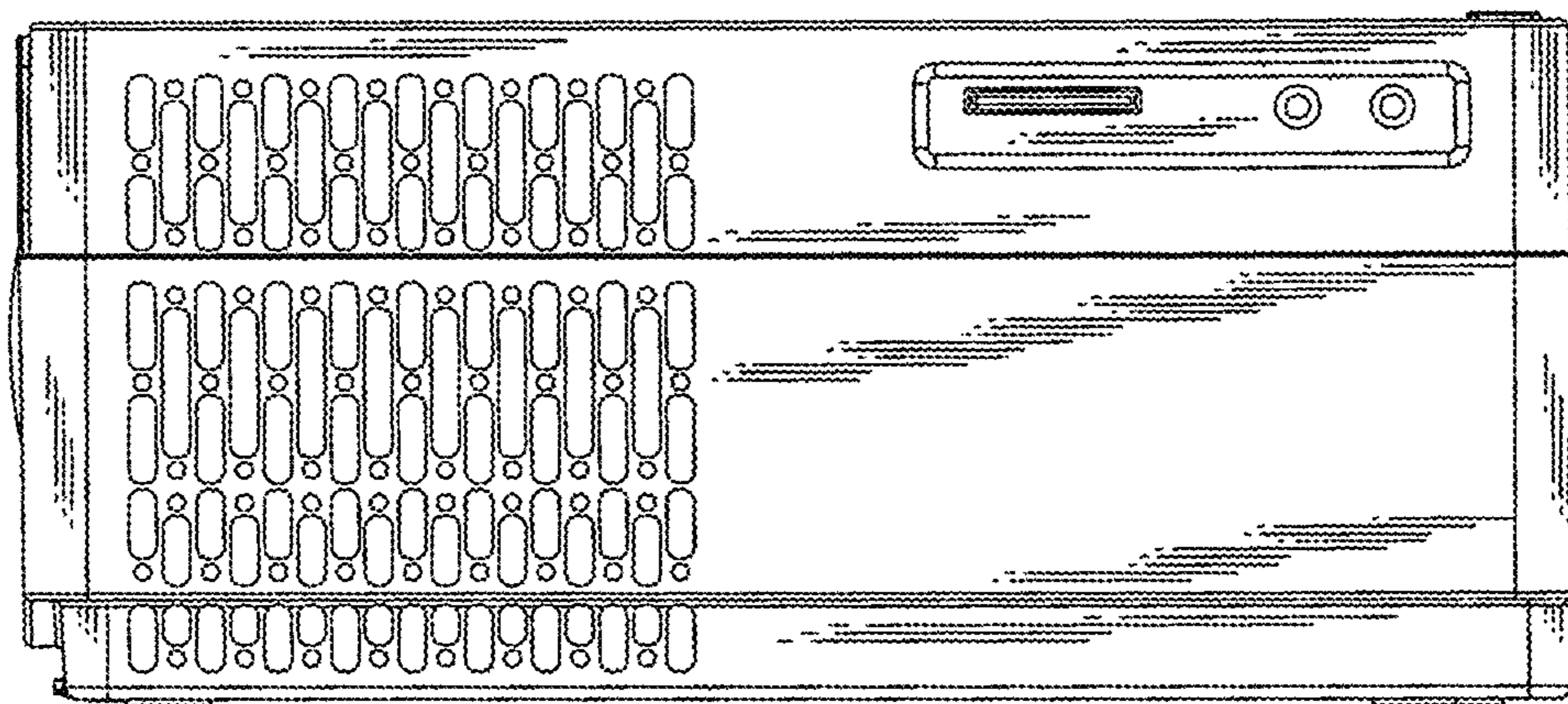


FIG.6

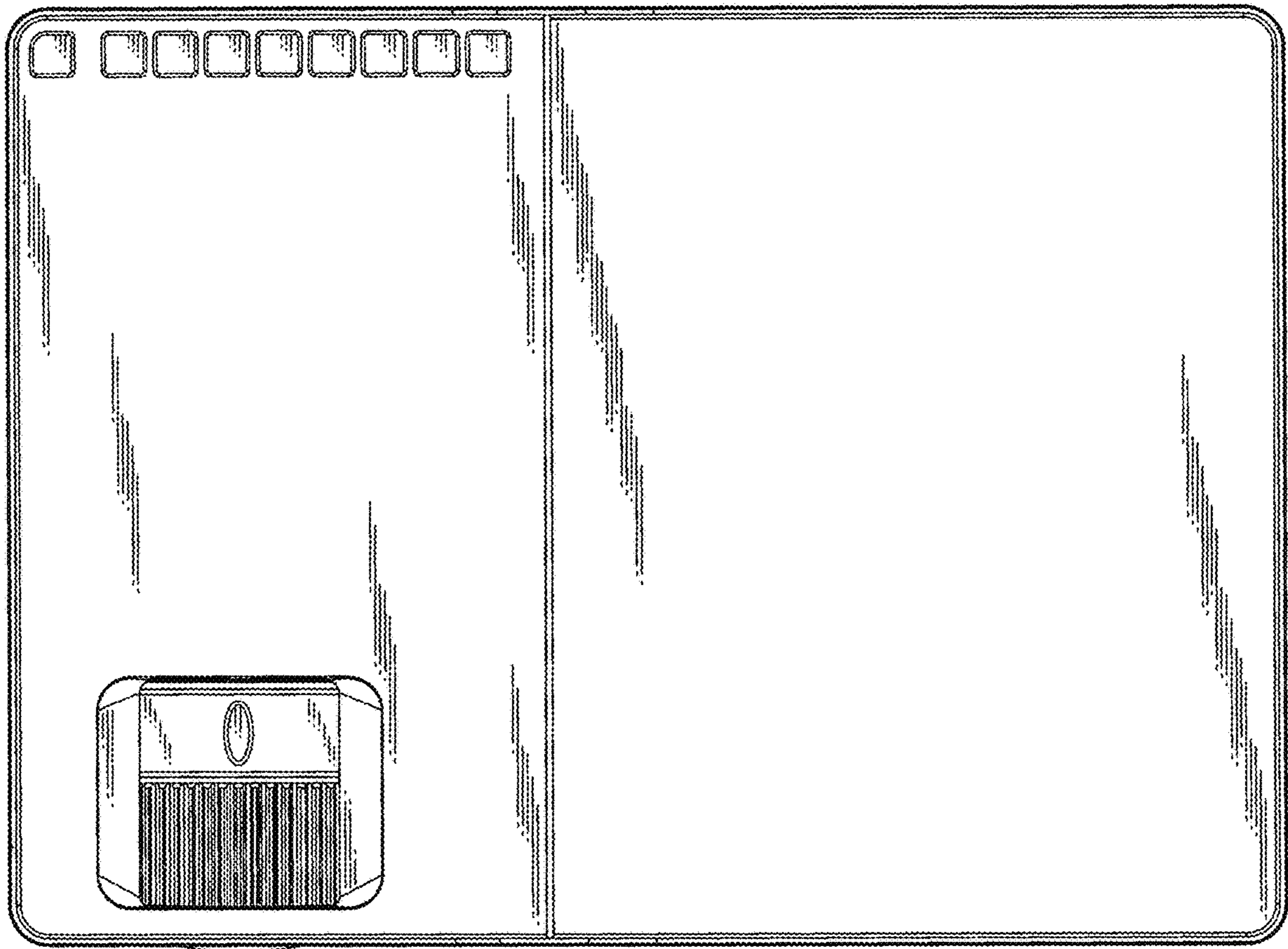


FIG. 7



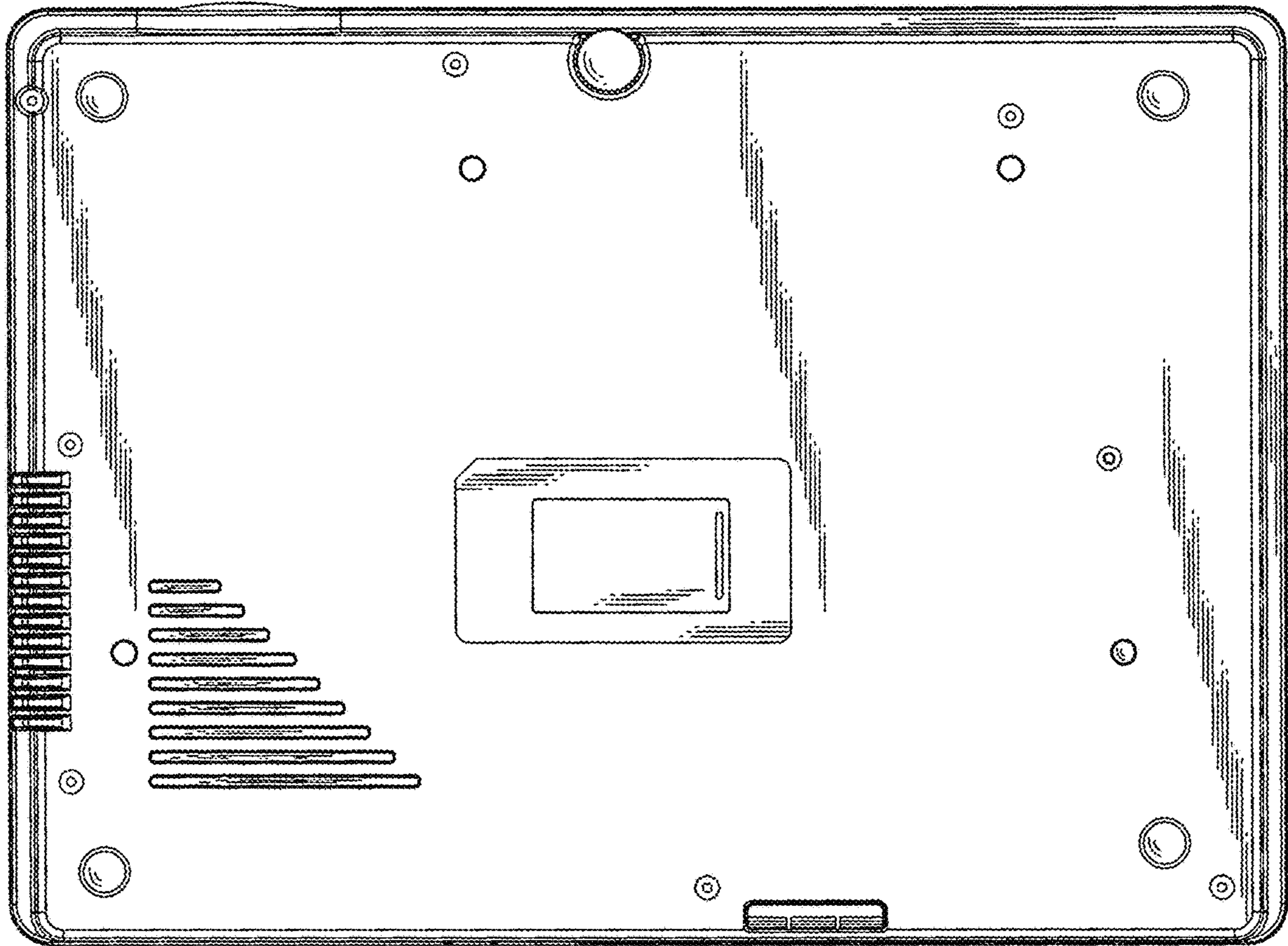


FIG. 8