



US00D866641S

(12) **United States Design Patent** (10) **Patent No.:** **US D866,641 S**
Walter et al. (45) **Date of Patent:** **** Nov. 12, 2019**

(54) **MONITORING CAMERA**

(56) **References Cited**

(71) Applicant: **AXIS AB**, Lund (SE)

U.S. PATENT DOCUMENTS

(72) Inventors: **Mathias Walter**, Lund (SE); **Mariano Vozzi**, Lund (SE); **Daniel Ahman**, Lund (SE); **Sebastian Engwall**, Lund (SE); **Marcus Lundberg**, Lund (SE); **Magnus Ainetoft**, Lund (SE); **Tommy Vestergren**, Lund (SE); **Larissa Eng**, Lund (SE)

D688,720 S * 8/2013 Yilin D16/203
D751,621 S * 3/2016 Katori D16/203
D752,674 S * 3/2016 Katori D16/203
D772,324 S * 11/2016 Bennermark D16/203
D781,169 S * 3/2017 Wang D10/106.5
D786,725 S * 5/2017 McCormick D10/106.5
D796,566 S * 9/2017 Bingleman D16/203
D796,567 S * 9/2017 Bingleman D16/203
D796,568 S * 9/2017 Bingleman D16/203
D798,933 S * 10/2017 Little D16/203
D816,755 S * 5/2018 Barnekow D16/203

(73) Assignee: **AXIS AB**, Lund (SE)

(Continued)

(**) Term: **15 Years**

FOREIGN PATENT DOCUMENTS

(21) Appl. No.: **29/698,956**

EM 001307342-0004 12/2011
EM 002877035-001 11/2015
EM 003514991-0001 12/2016

(22) Filed: **Jul. 22, 2019**

Related U.S. Application Data

(62) Division of application No. 29/648,535, filed on May 22, 2018.

Primary Examiner — Ramzi S Almatrahi

(74) *Attorney, Agent, or Firm* — Volpe and Koenig, P.C.

(30) **Foreign Application Priority Data**

Dec. 1, 2017 (EM) 004529626

(51) **LOC (12) Cl.** **16-01**

(52) **U.S. Cl.**
USPC **D16/203**

(58) **Field of Classification Search**
USPC D16/200, 202–208, 218, 219, 242;
348/143, 148, 151, 373–376; 396/419,
396/427, 535, 539–541
CPC G03B 17/02; G03B 19/04; G03B 17/56;
G03B 17/04; G03B 15/03; H04N 5/2251;
H04N 5/2252; H04N 5/2253; H04N
5/2254; H04N 7/181; H04N 7/183; H04N
7/18; G08B 13/1963; G08B 13/19619;
G08B 13/19632; F16M 11/04; F16M
13/00

See application file for complete search history.

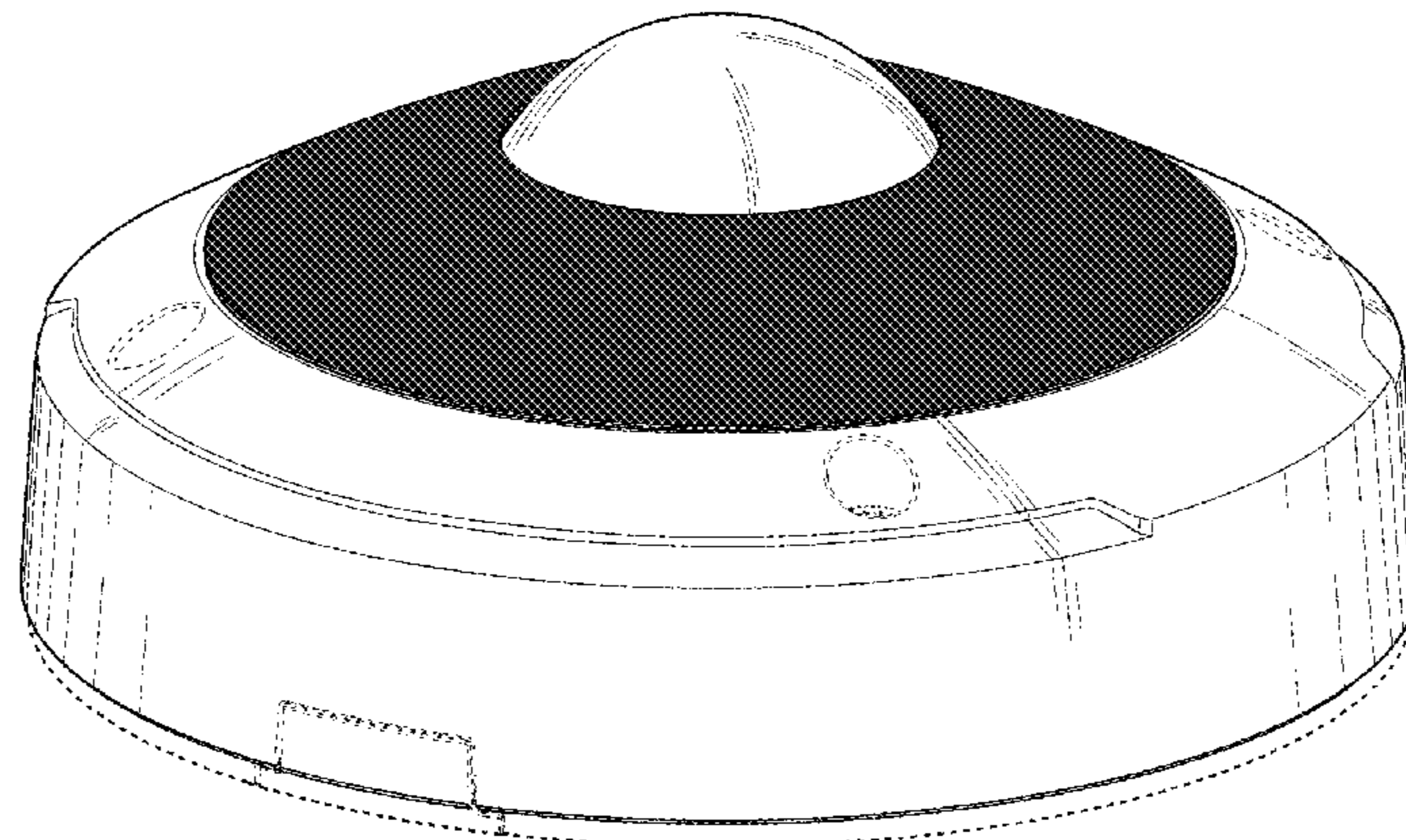
(57) **CLAIM**

The ornamental design for a monitoring camera, as shown and described.

DESCRIPTION

FIG. 1 is a perspective view of a monitoring camera showing our new design;
FIG. 2 is a top plan view thereof;
FIG. 3 is a front elevational view thereof;
FIG. 4 is a rear elevational view thereof;
FIG. 5 is a left side view thereof;
FIG. 6 is a right side view thereof; and,
FIG. 7 is a bottom plan view thereof.
The broken lines depict portions of the monitoring camera that form no part of the claimed design.

1 Claim, 4 Drawing Sheets



(56)

References Cited

U.S. PATENT DOCUMENTS

D822,088 S * 7/2018 Park D16/203
D827,011 S * 8/2018 Kip D16/202

* cited by examiner

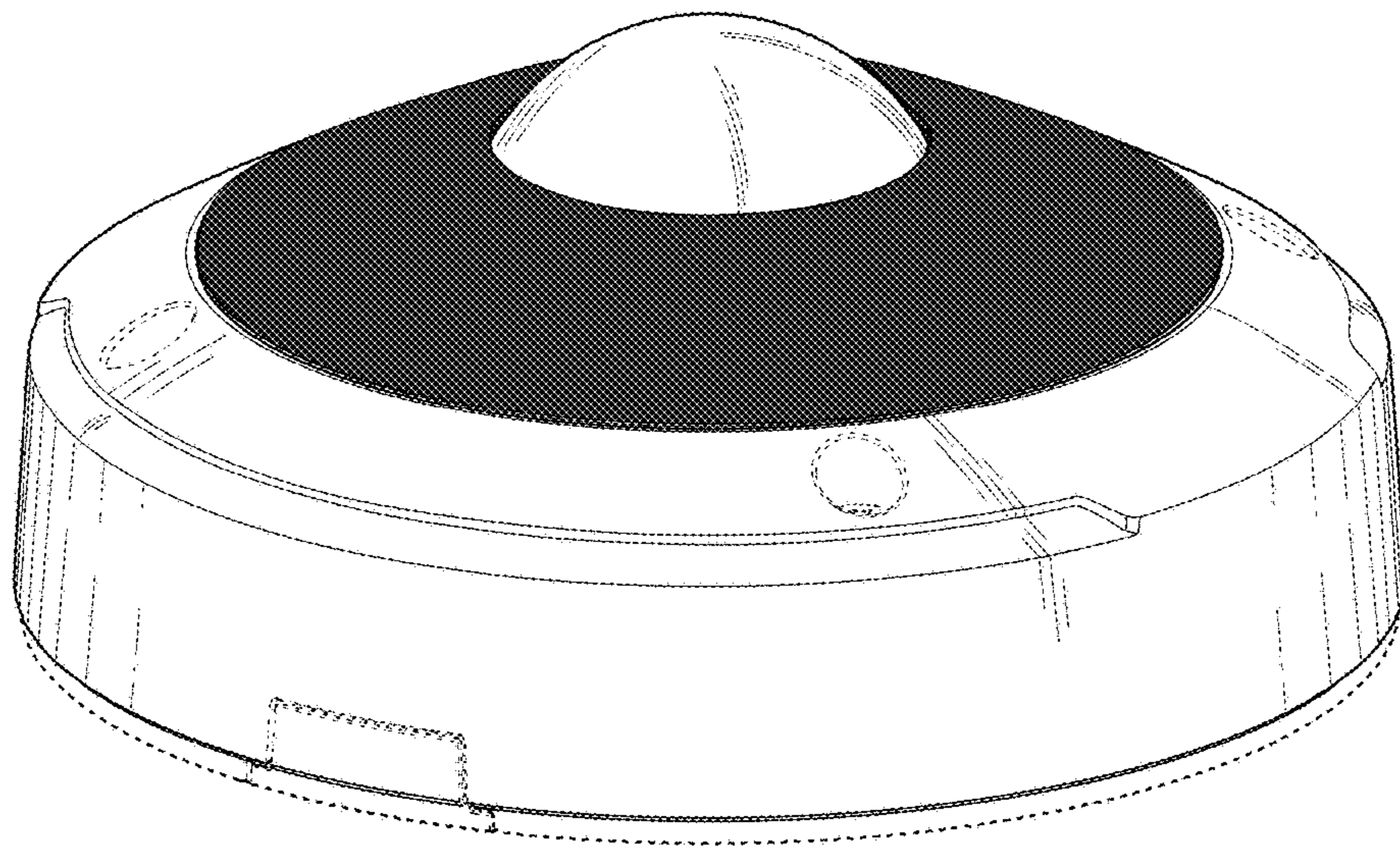


Fig. 1

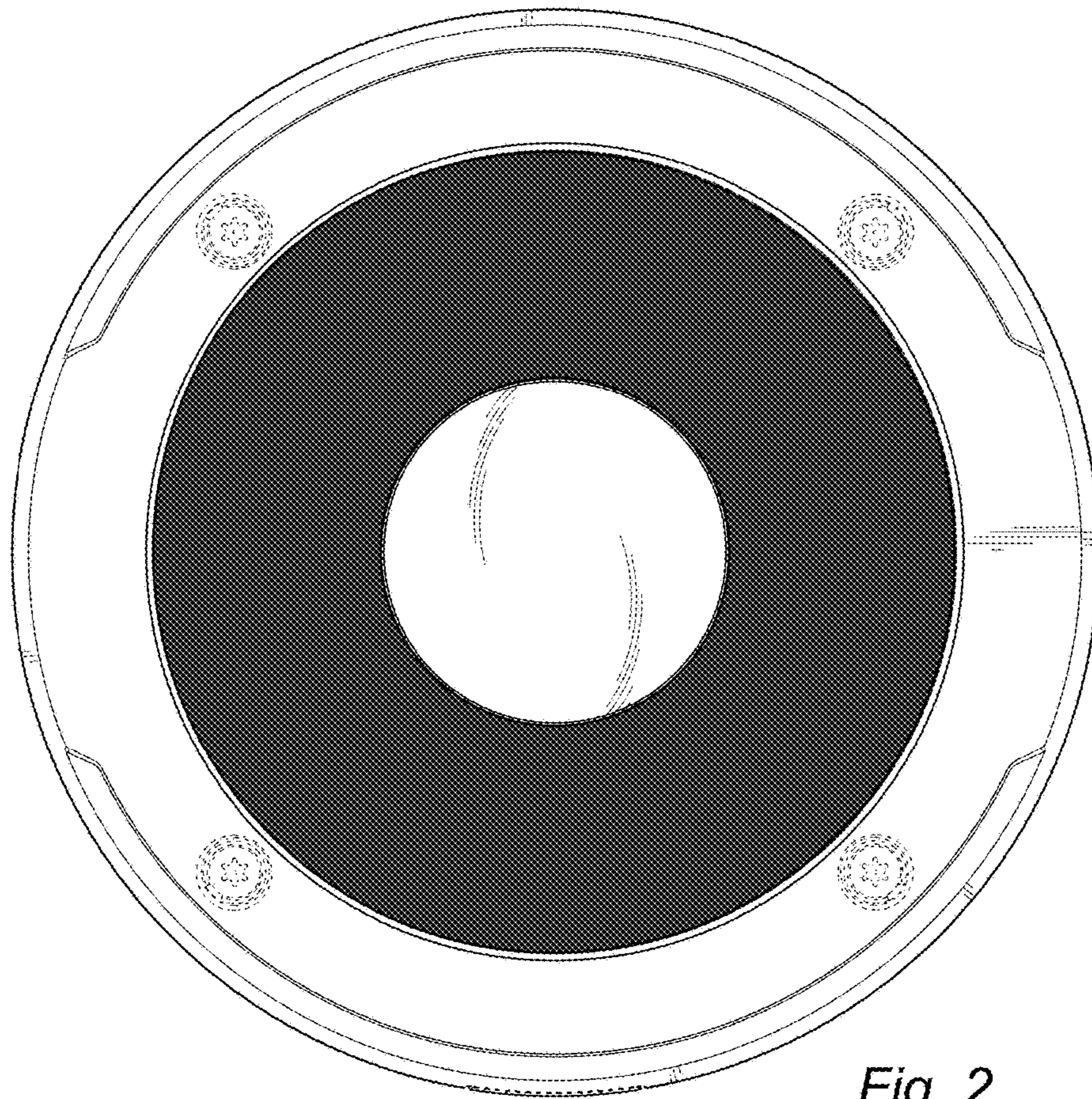


Fig. 2

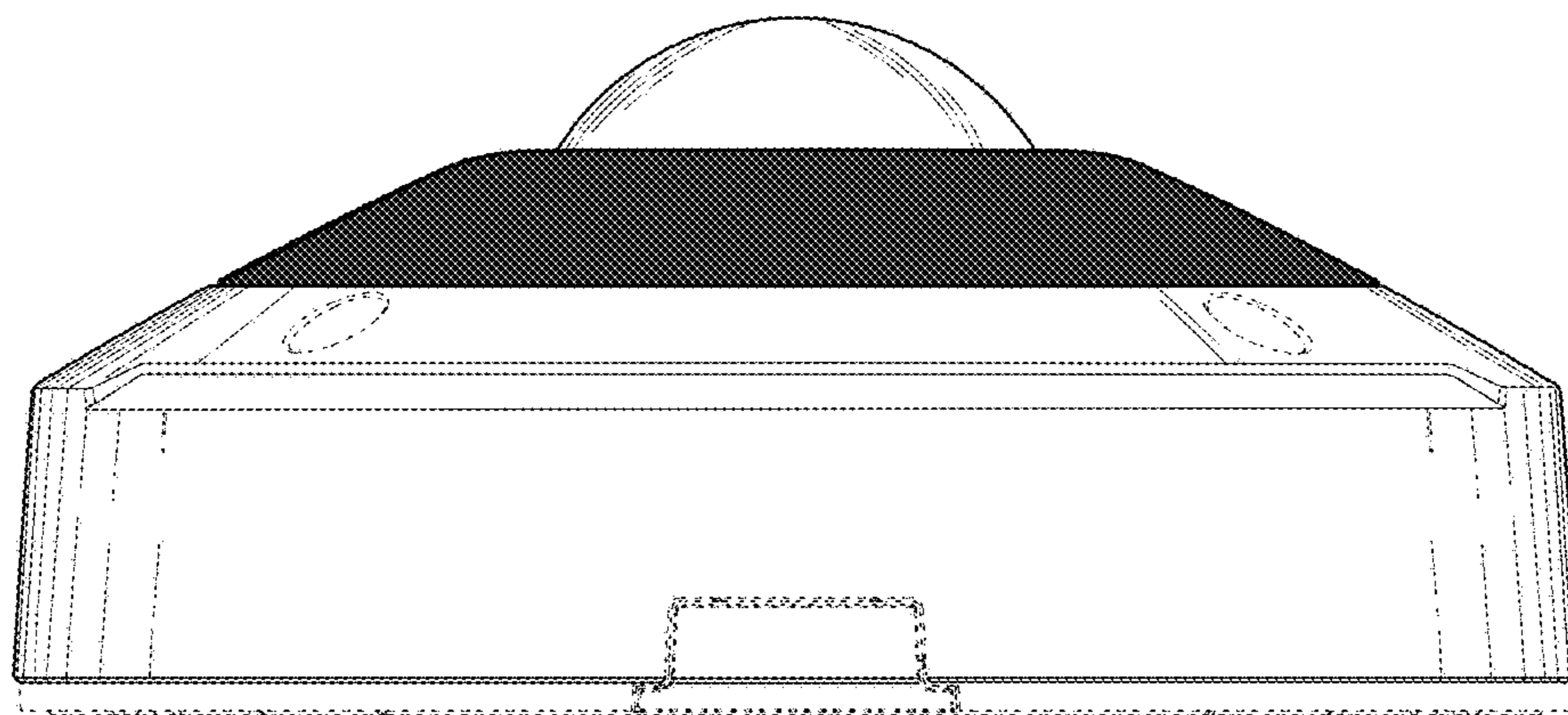


Fig. 3

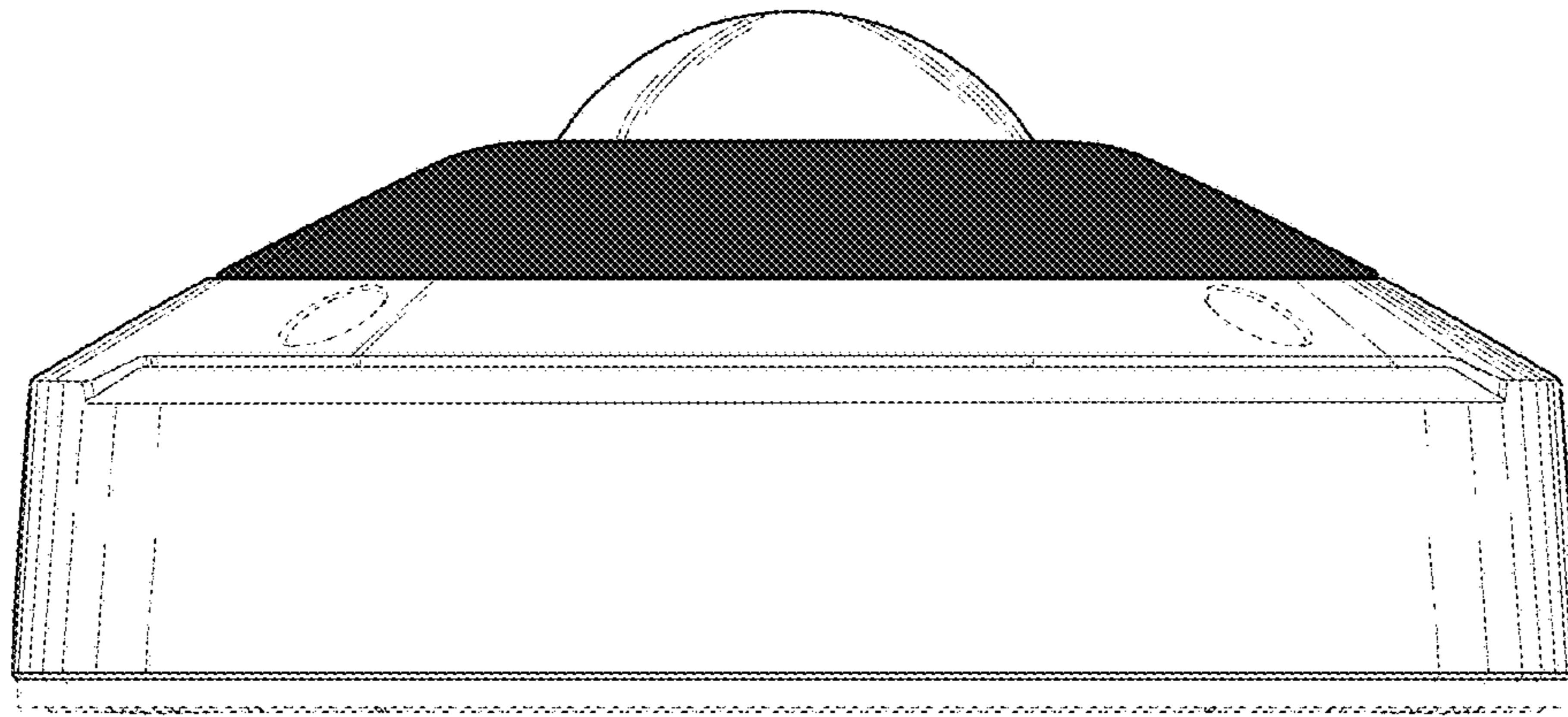


Fig. 4

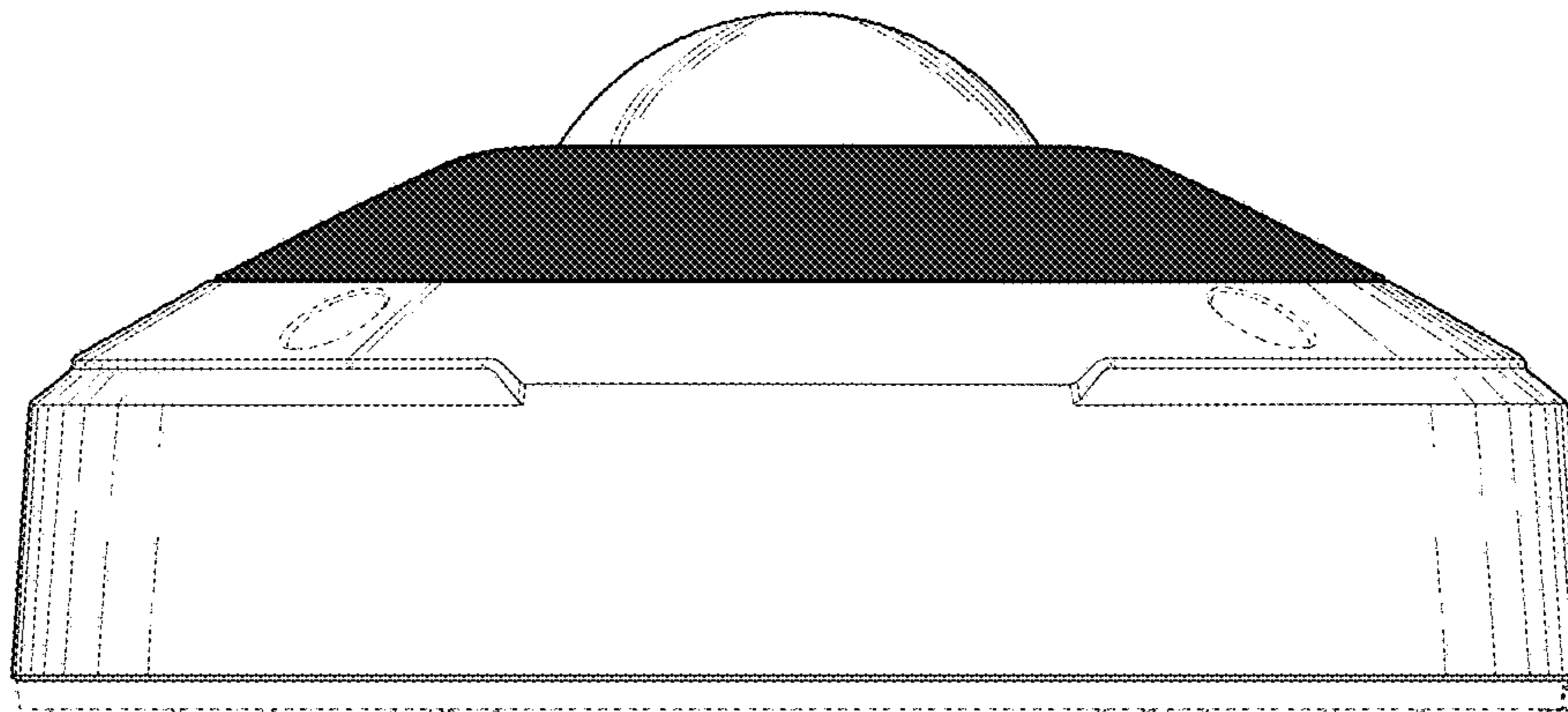


Fig. 5

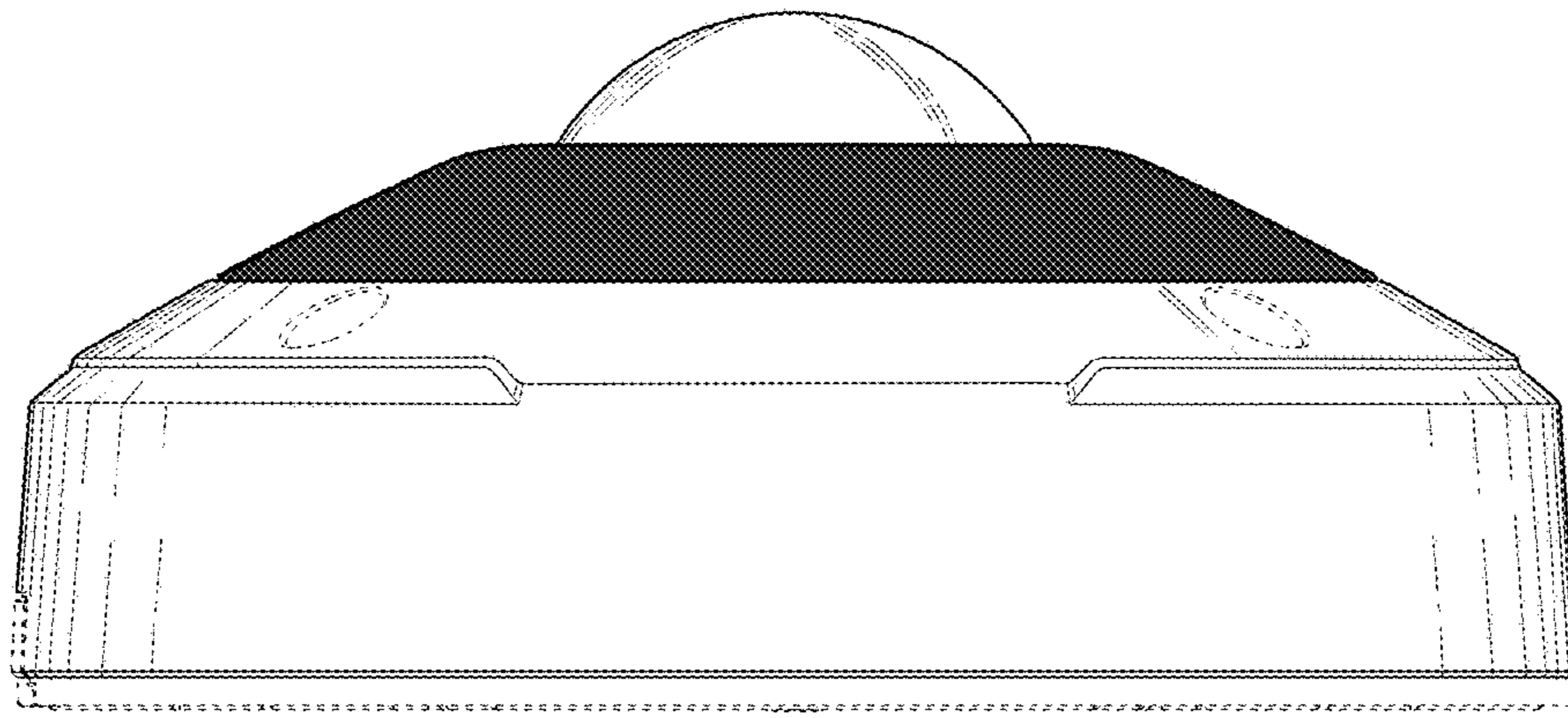


Fig. 6

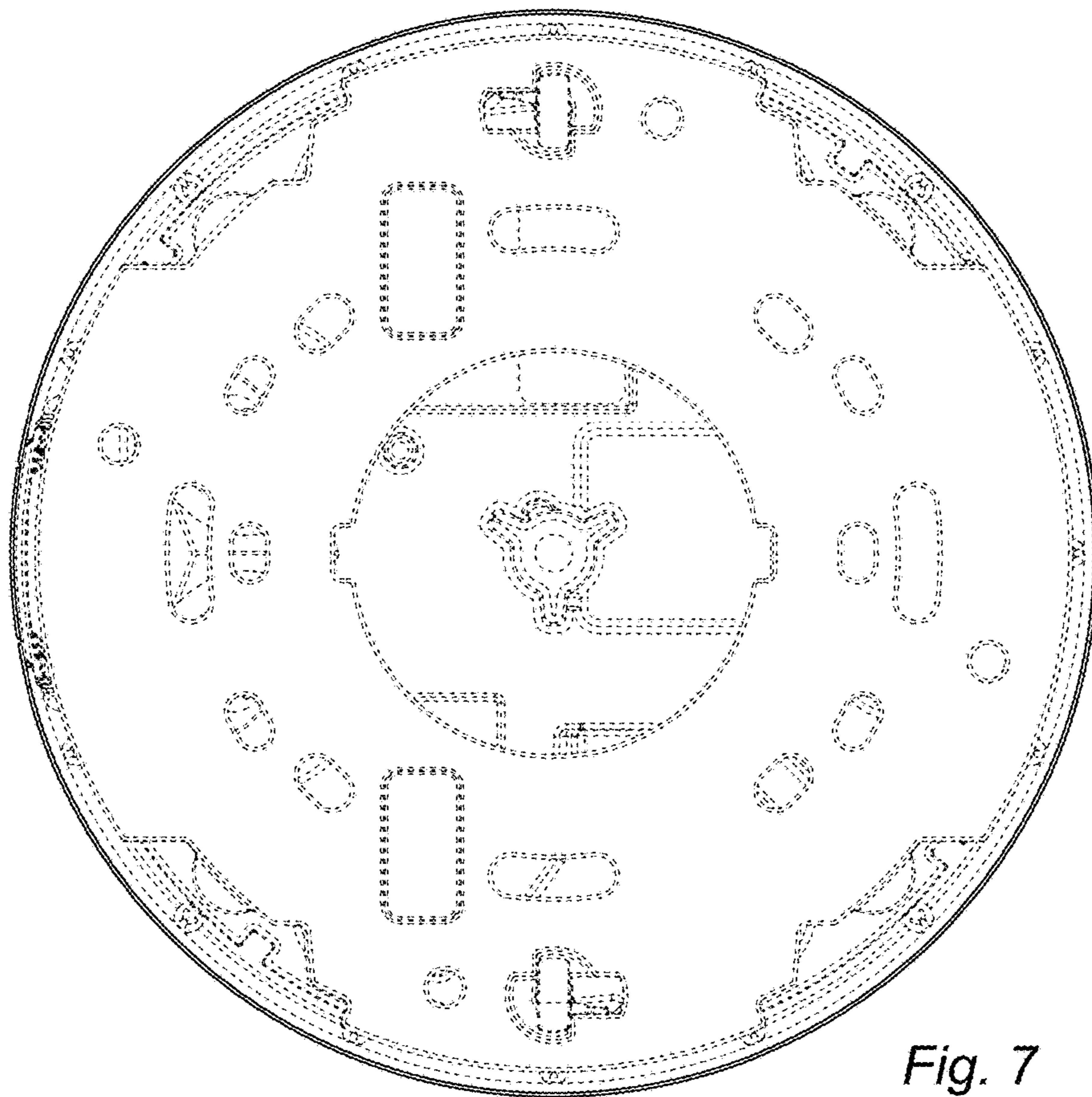


Fig. 7