



US00D866640S

(12) **United States Design Patent**
Liu et al.

(10) **Patent No.:** **US D866,640 S**

(45) **Date of Patent:** **** Nov. 12, 2019**

(54) **CAMERA**

(71) Applicant: **DYNACOLOR, INC.**, Taipei (TW)

(72) Inventors: **Tsung-Ti Liu**, Taipei (TW);
Chia-Hsuan Kung, Taipei (TW)

(73) Assignee: **DYNACOLOR, INC.**, Taipei (TW)

(**) Term: **15 Years**

(21) Appl. No.: **29/691,611**

(22) Filed: **May 17, 2019**

Related U.S. Application Data

(63) Continuation-in-part of application No. 29/664,829,
filed on Sep. 28, 2018.

(51) **LOC (12) Cl.** **16-01**

(52) **U.S. Cl.**
USPC **D16/203**

(58) **Field of Classification Search**
USPC D16/200, 202–206, 218, 219, 242;
348/143, 148, 151, 373–376; 396/419,
396/427, 535, 539–541
CPC G03B 17/02; G03B 19/04; G03B 17/56;
G03B 17/04; G03B 15/03; H04N 5/2251;
H04N 5/2252; H04N 5/2253; H04N
5/2254; H04N 7/181; H04N 7/183; H04N
7/18; G08B 13/1963; G08B 13/19619;
G08B 13/19632; F16M 11/04; F16M
13/00

See application file for complete search history.

(56) **References Cited**

U.S. PATENT DOCUMENTS

D542,319 S *	5/2007	Ishida	D16/202
D552,650 S *	10/2007	Yamakawa	D16/203
D583,845 S *	12/2008	Hayashi	D14/130
D609,732 S *	2/2010	Frank	D16/203
D626,984 S *	11/2010	Miyaji	D16/202
8,695,258 B2 *	4/2014	Kori	G09F 7/06 40/663
D723,395 S *	3/2015	Dispenza	D10/53
D741,389 S *	10/2015	Park	D16/203
D783,076 S *	4/2017	Ravat	D16/203
D813,290 S *	3/2018	Song	D16/203
D813,926 S *	3/2018	Shin	D16/203
D818,027 S *	5/2018	Ravat	D16/203
D836,148 S *	12/2018	Jeong	D16/203

* cited by examiner

Primary Examiner — Ramzi S Almatrahi

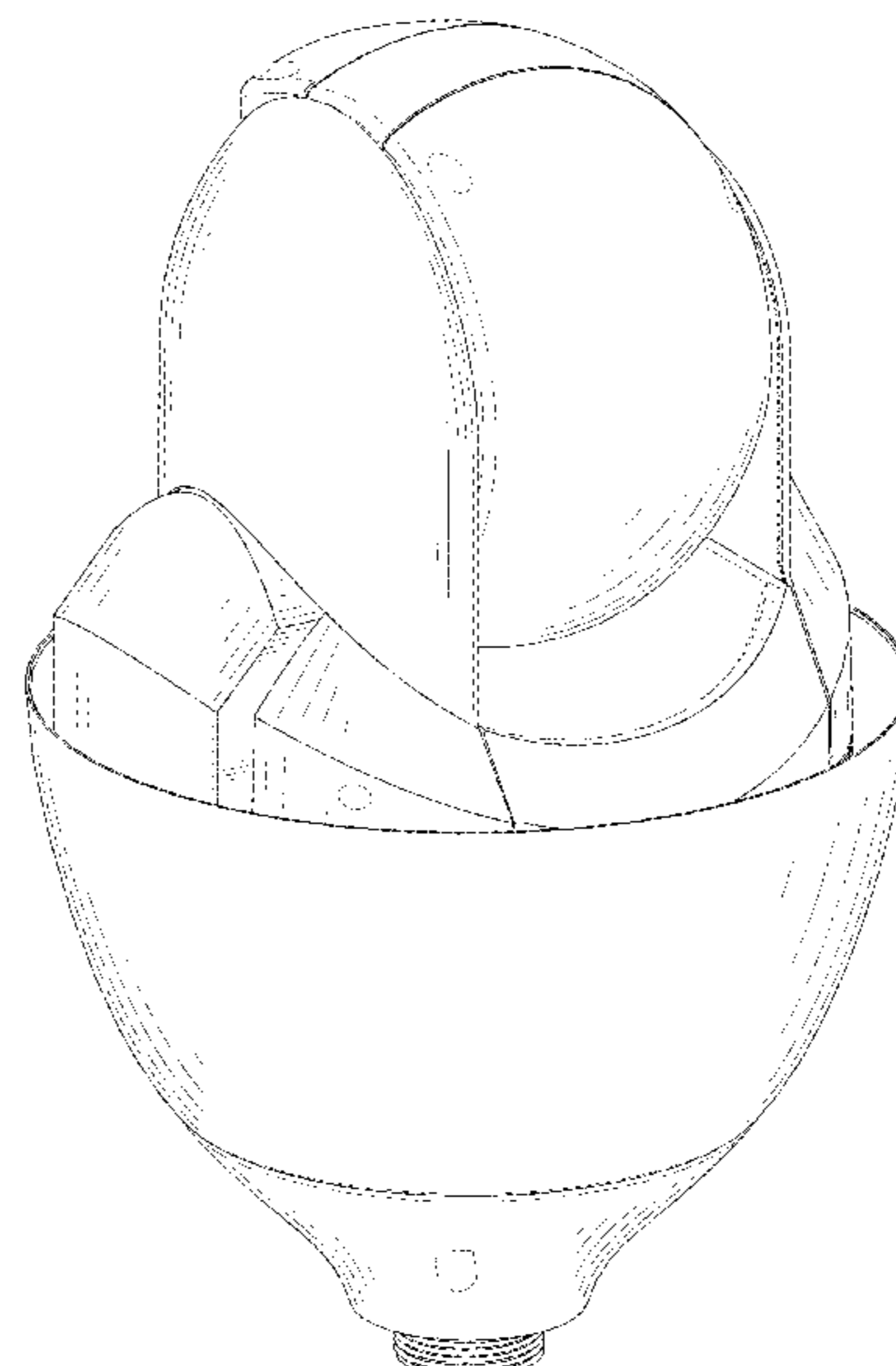
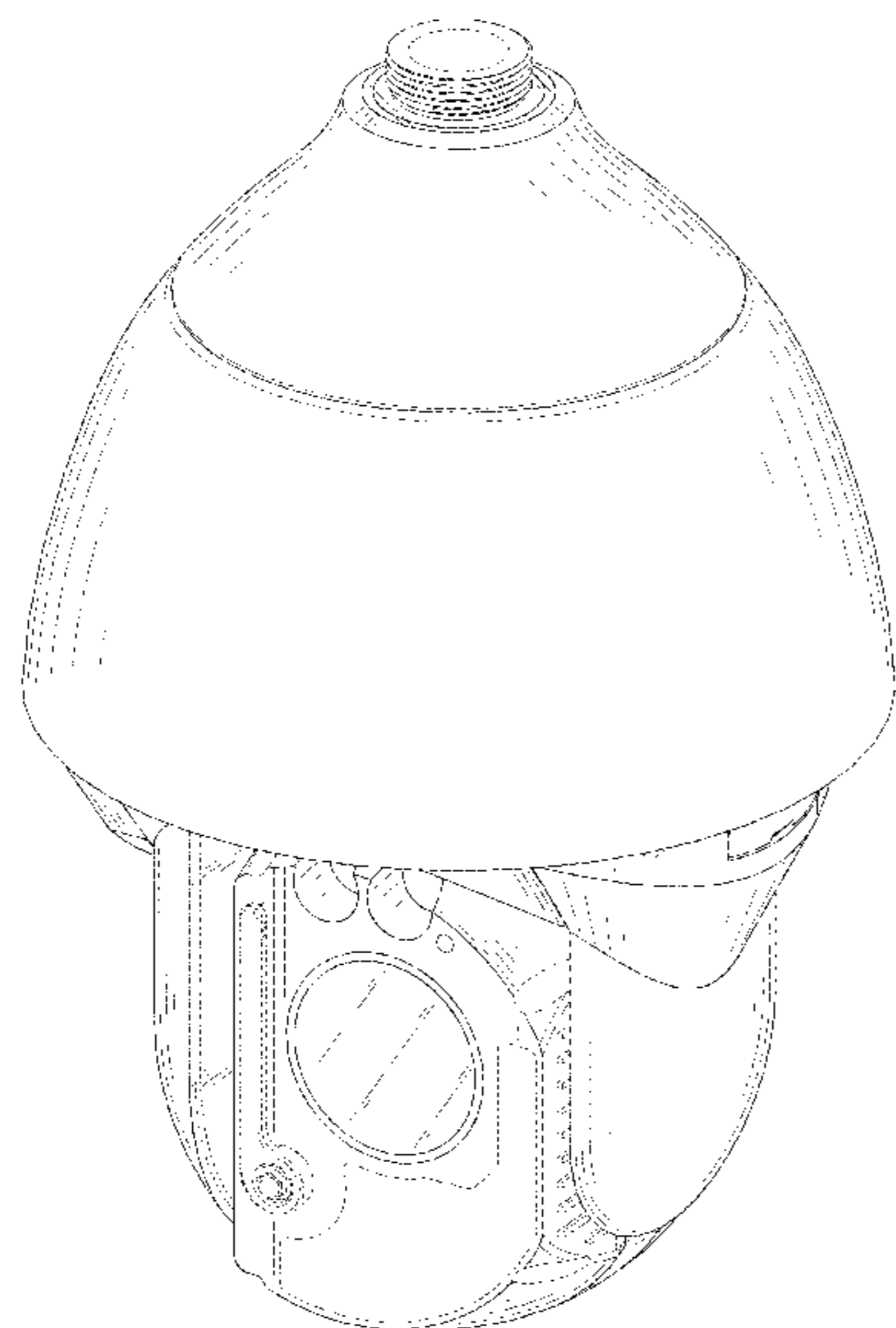
(57) **CLAIM**

The ornamental design for a camera, as shown and described.

DESCRIPTION

FIG. 1 is a top, front and right side perspective view of a camera showing our new design;
FIG. 2 is a bottom, rear and left side perspective view thereof;
FIG. 3 is a front elevational view thereof;
FIG. 4 is a rear elevational view thereof;
FIG. 5 is a left side view thereof;
FIG. 6 is a right side view thereof;
FIG. 7 is a top plan view thereof; and,
FIG. 8 is a bottom plan view thereof.
The broken lines in the drawings illustrate portions of the camera which form no part of the claimed design.

1 Claim, 8 Drawing Sheets



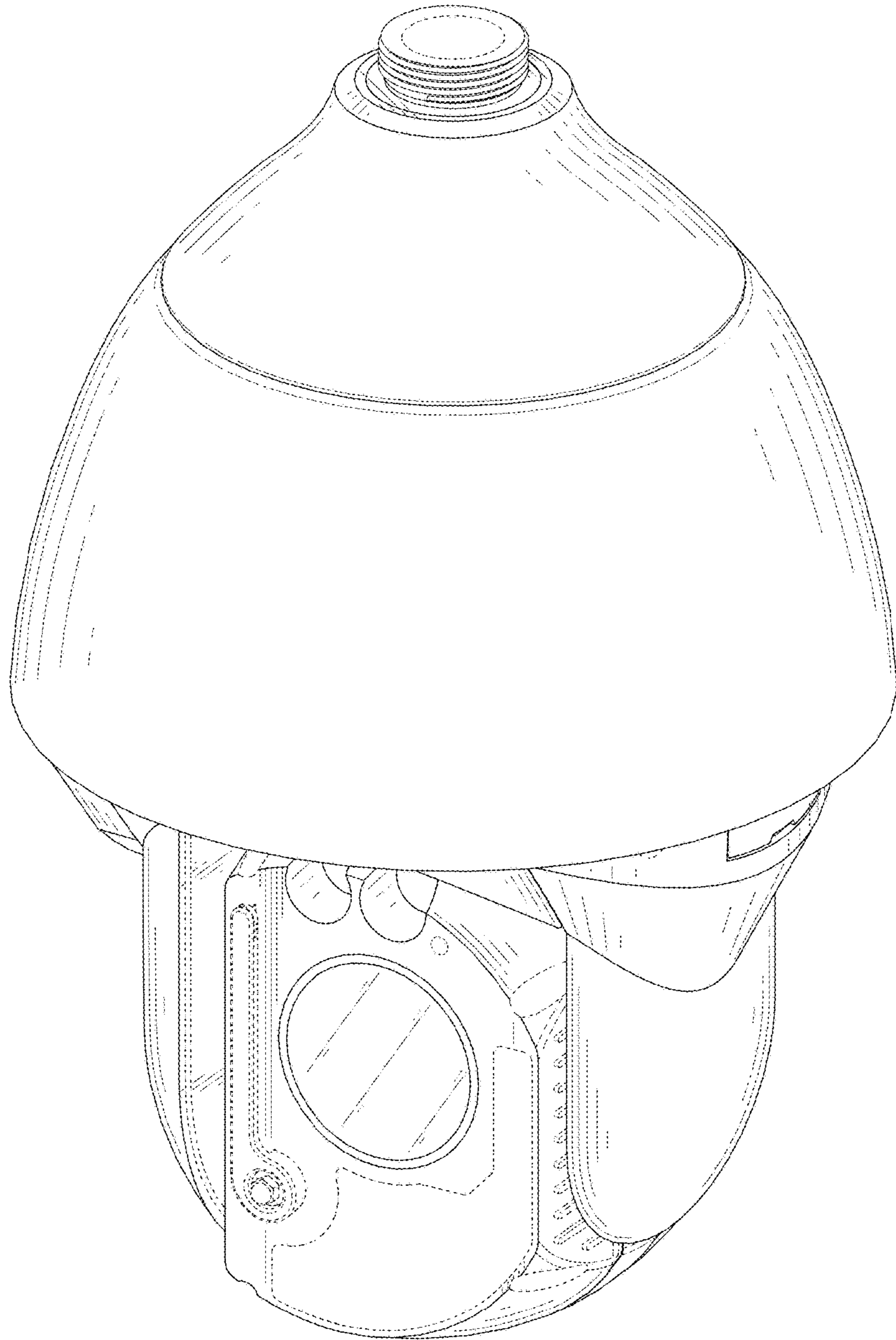


FIG. 1

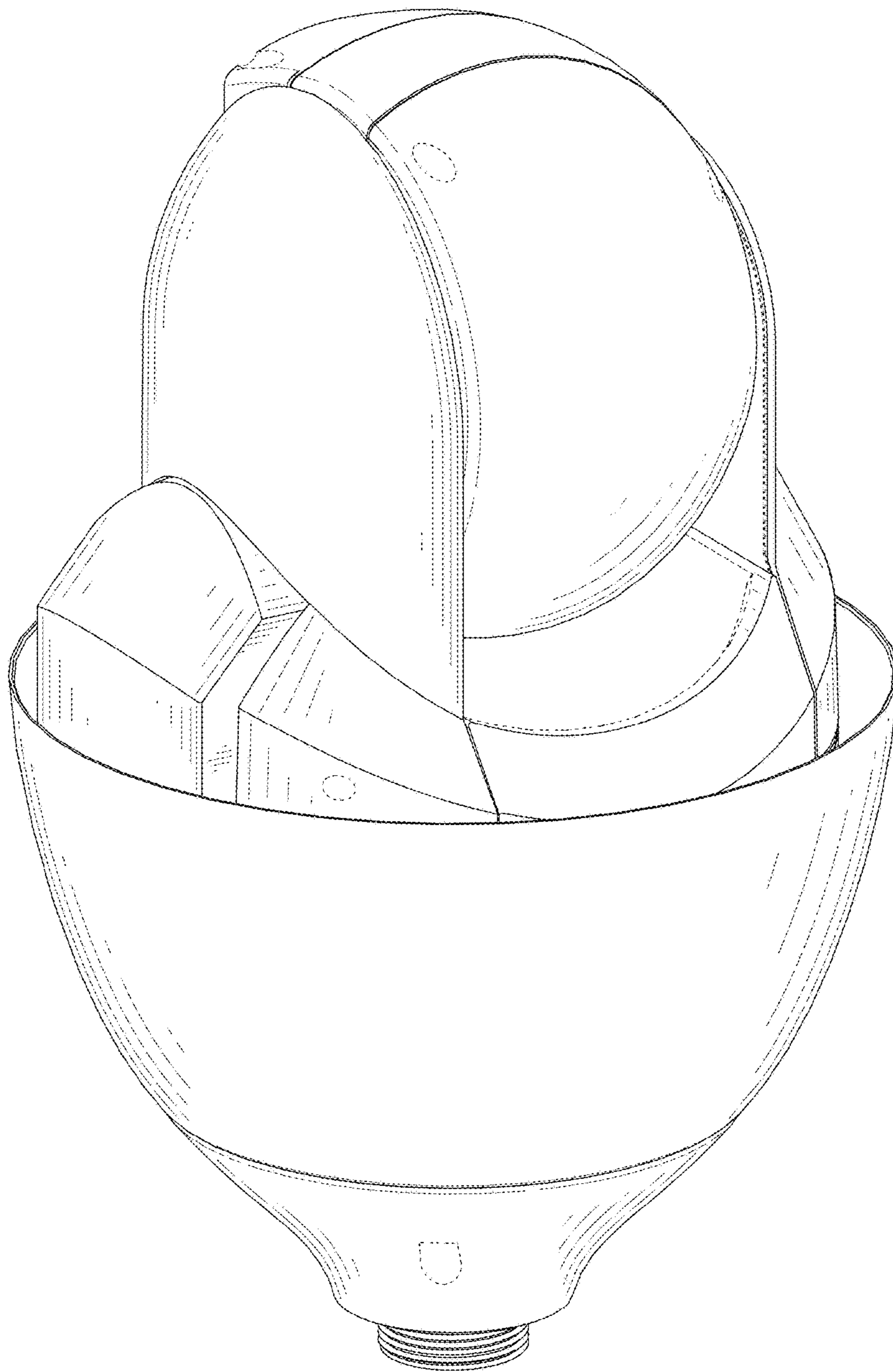


FIG. 2

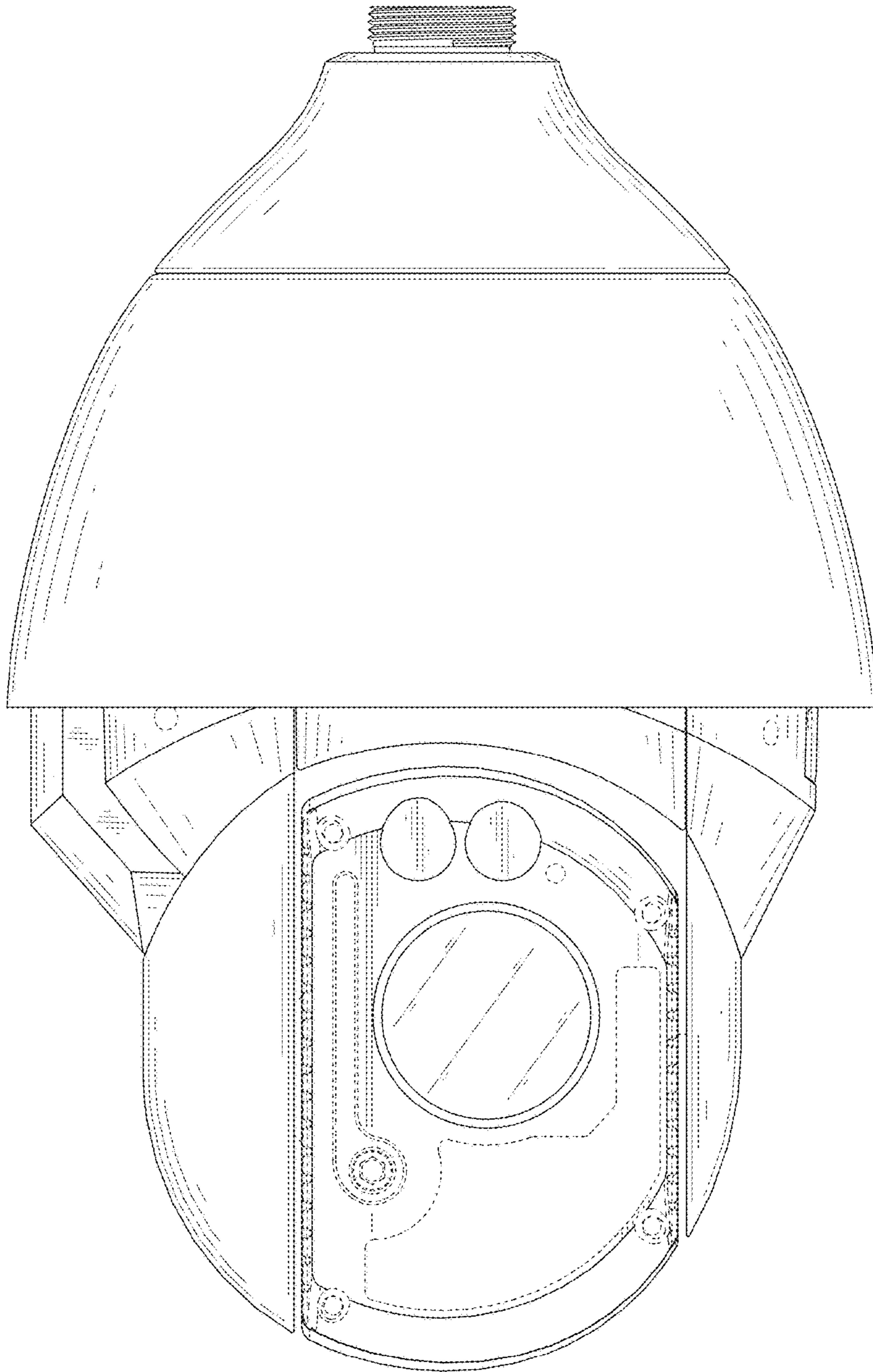


FIG. 3

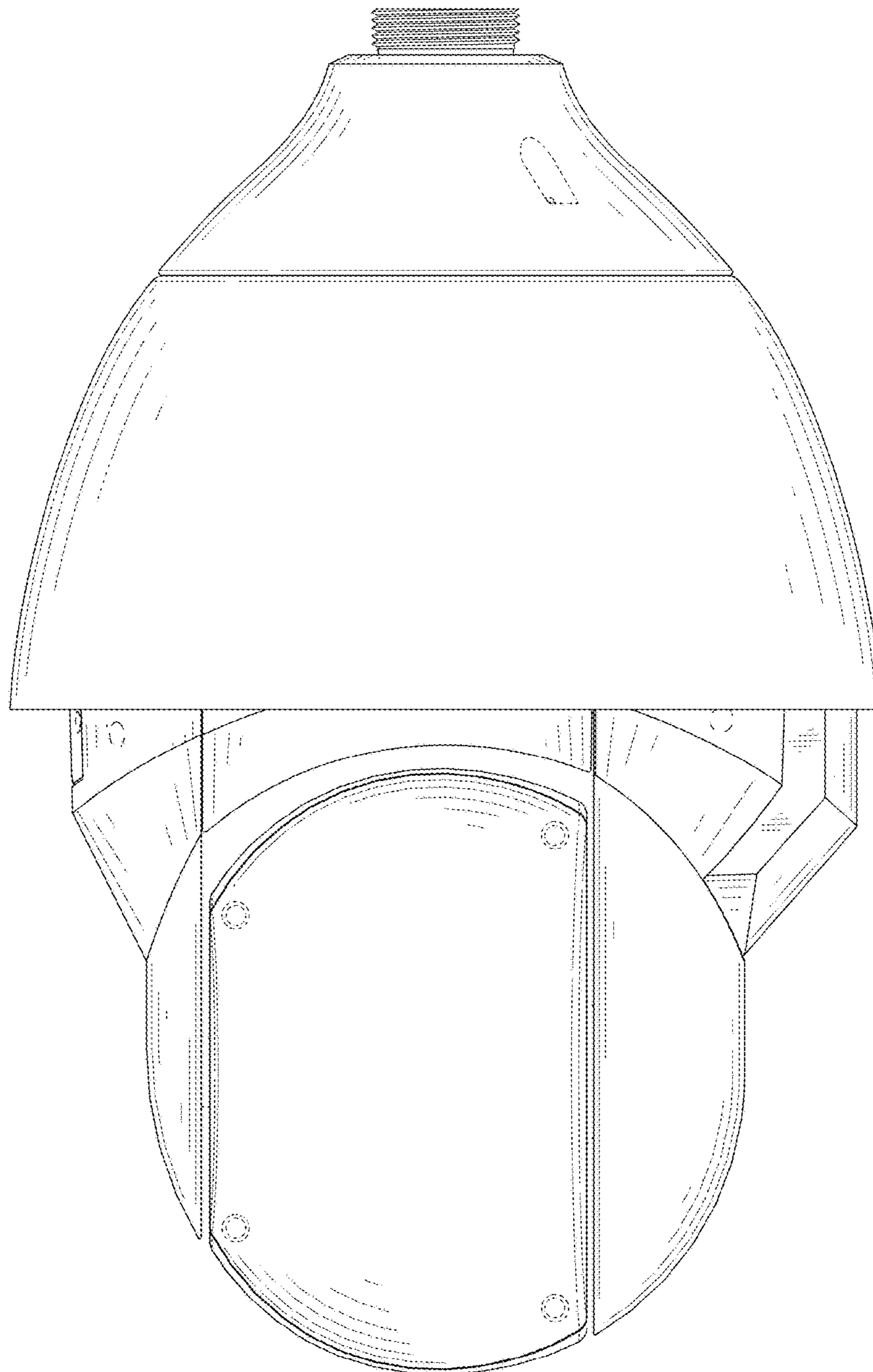


FIG. 4

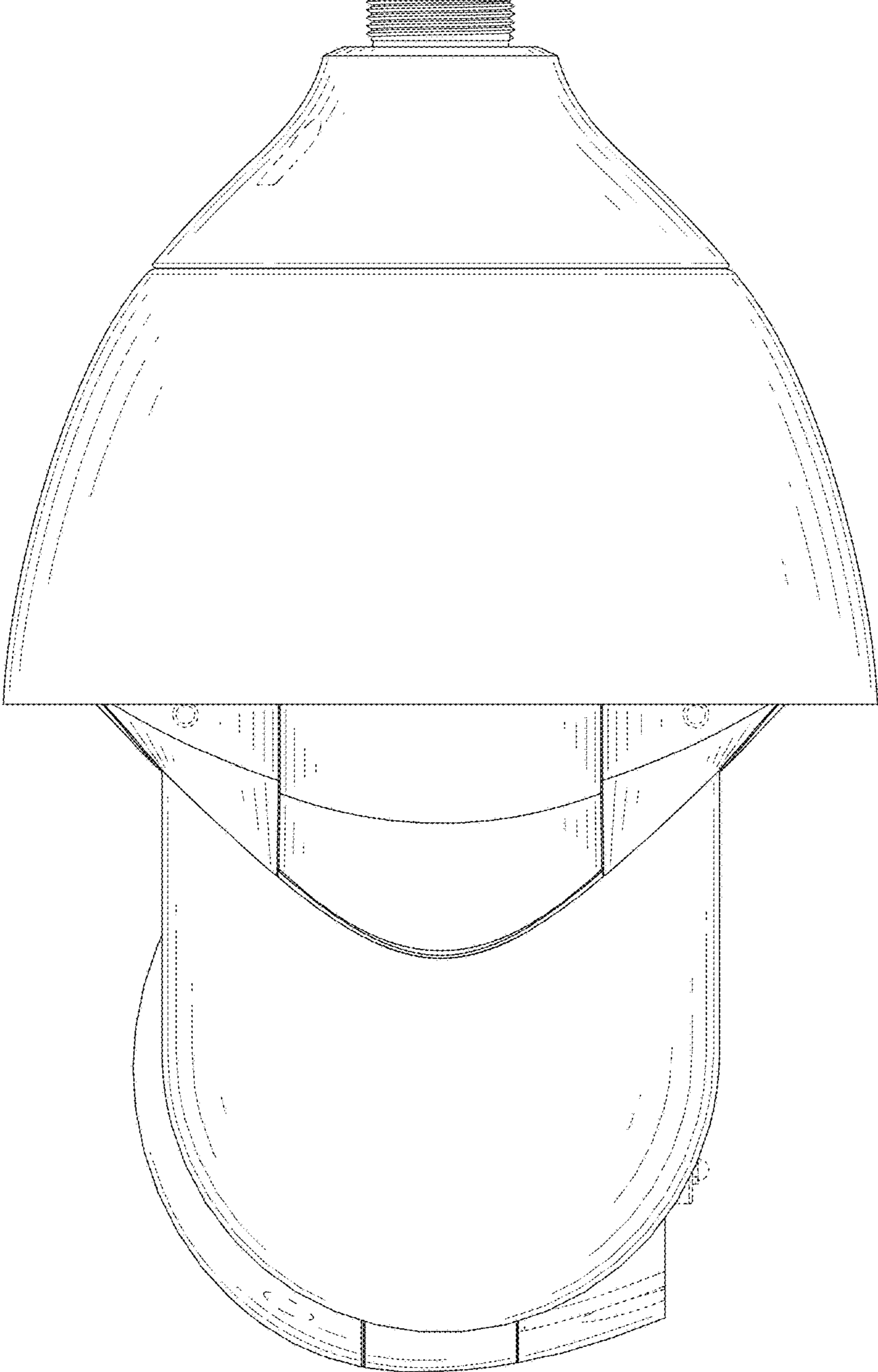


FIG. 5

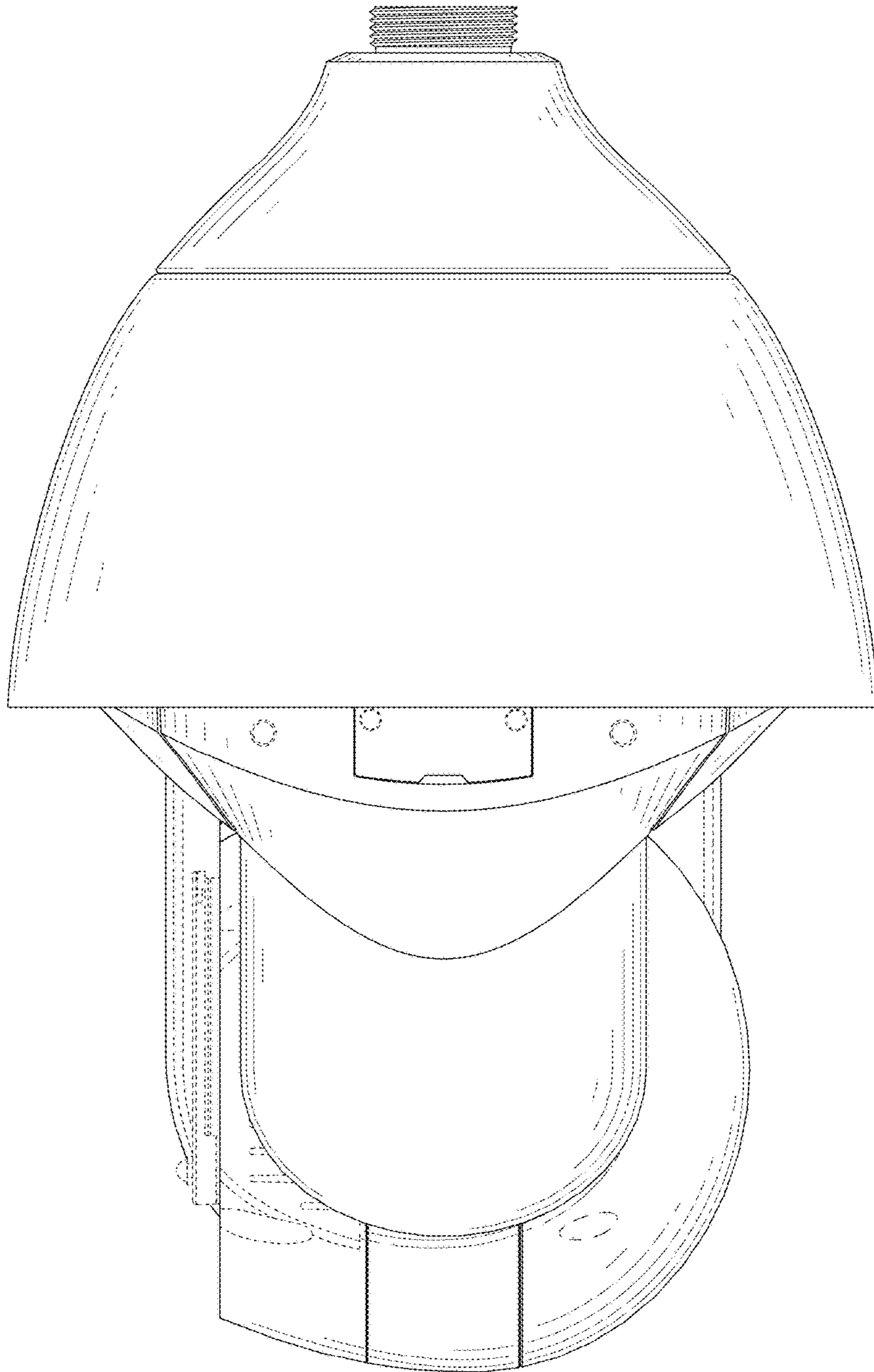


FIG. 6

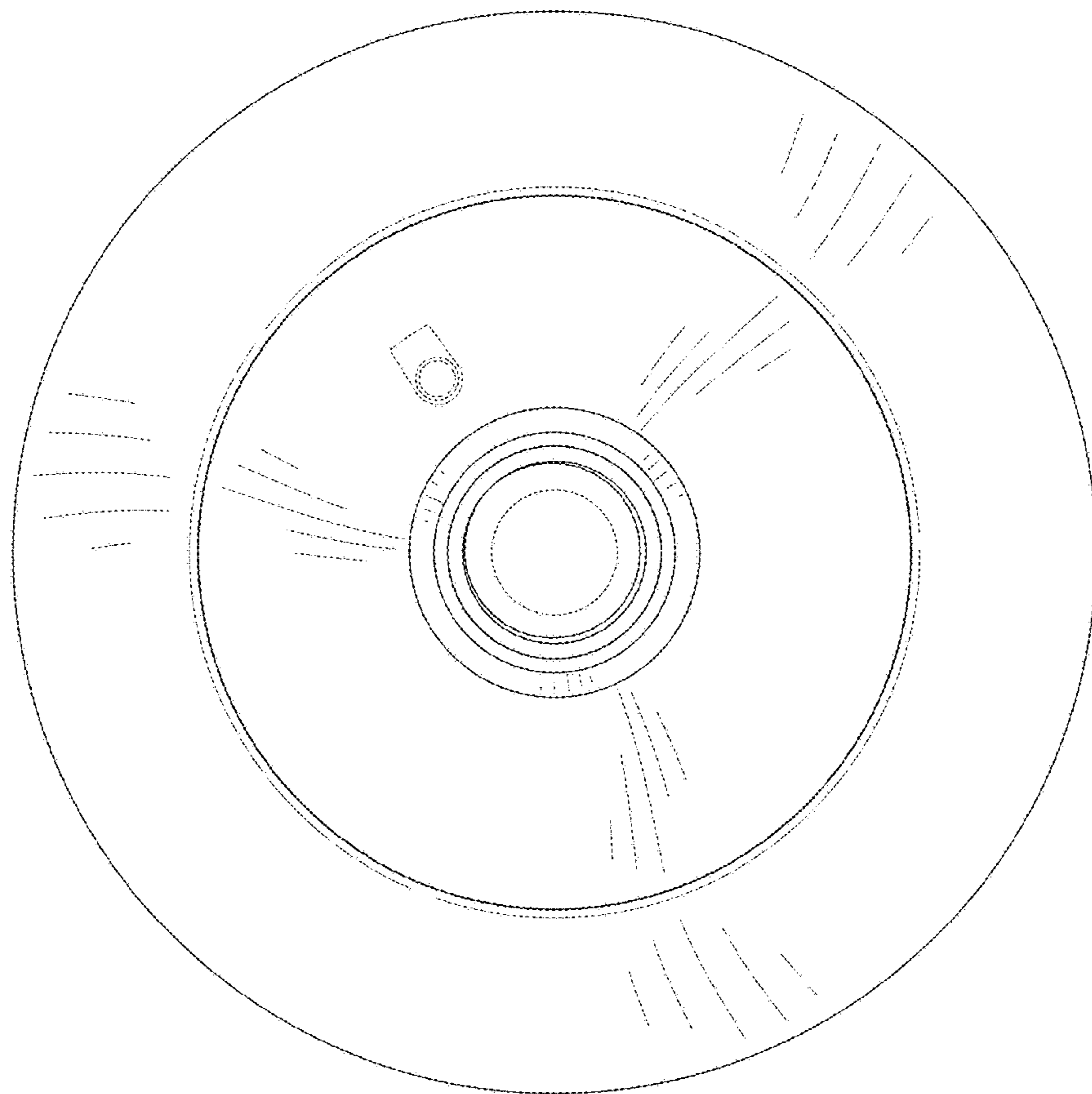


FIG. 7

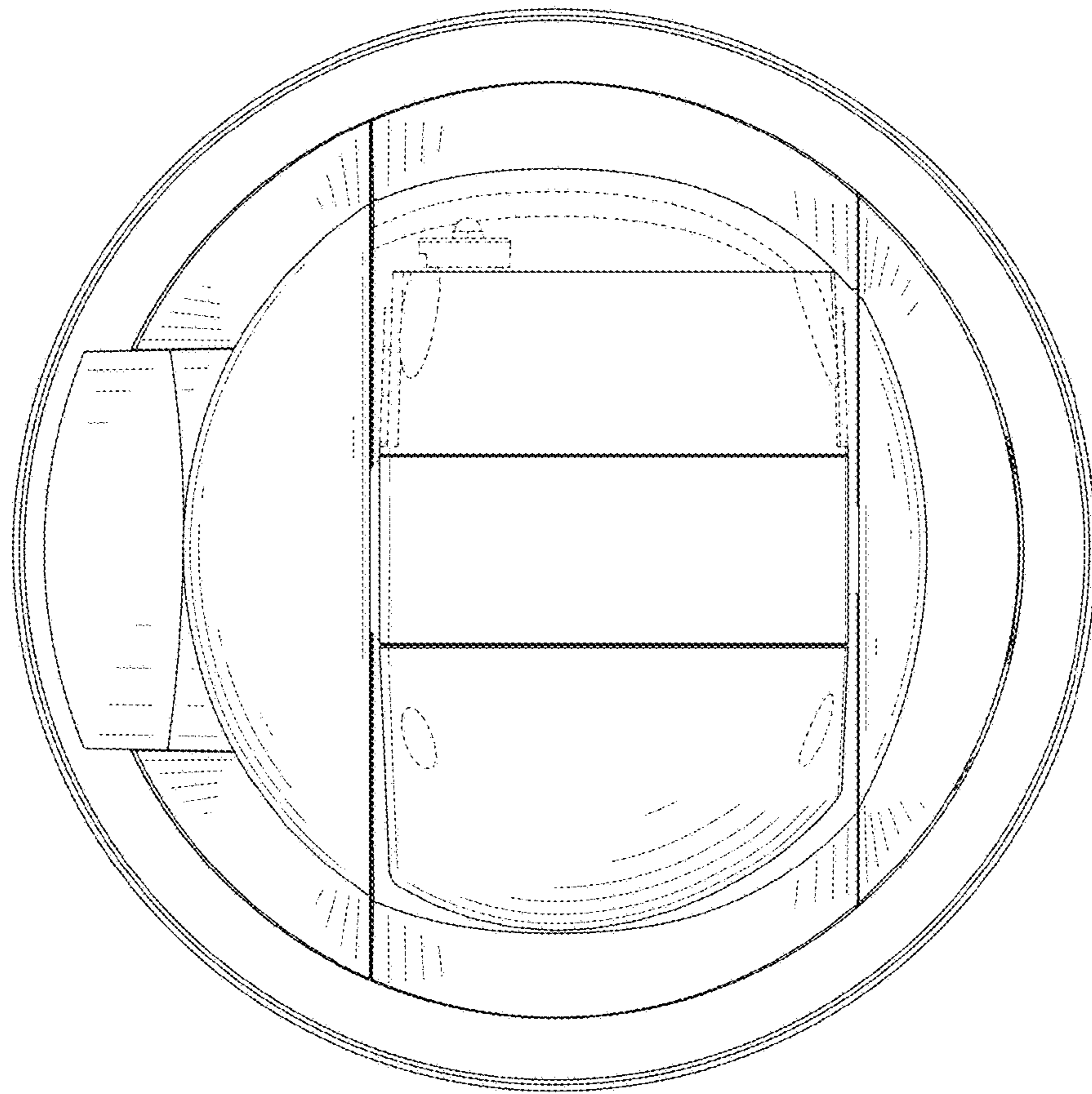


FIG. 8