



US00D866639S

(12) **United States Design Patent**
Fang

(10) **Patent No.:** **US D866,639 S**

(45) **Date of Patent:** **** Nov. 12, 2019**

(54) **WINDSHIELD MOUNTABLE VIDEO CAMERA**

(71) Applicant: **Zone Defense, LLC**, St. Petersburg, FL (US)

(72) Inventor: **Yang Zhen Fang**, Shenzhen (CN)

(73) Assignee: **Zone Defense, LLC**, St. Petersburg, FL (US)

(**) Term: **15 Years**

(21) Appl. No.: **29/665,517**

(22) Filed: **Oct. 4, 2018**

(51) **LOC (12) Cl.** **16-01**

(52) **U.S. Cl.**
USPC **D16/203**; D16/208

(58) **Field of Classification Search**
USPC D16/200, 202–204, 206–208, 211–212, D16/218, 219; D12/193, 400; 248/187.1; 348/14.01–14.6, 143, 148, 348/151, 373–376; 396/419, 427, 428, 396/535, 539–541

CPC G03B 17/02; G03B 19/04; G03B 17/56; G03B 17/04; G03B 15/03; H04N 5/2251; H04N 5/2252; H04N 5/2253; H04N 5/2254; H04N 2101/00; H04N 2007/145; H04N 7/141; H04N 7/142; H04N 7/147; H04N 7/148; H04N 7/15; H04N 7/152

See application file for complete search history.

(56) **References Cited**

U.S. PATENT DOCUMENTS

D418,152 S * 12/1999 McBride D16/204
D454,902 S * 3/2002 Hsu D16/202

D528,576 S * 9/2006 Chung D16/202
D590,863 S * 4/2009 Ke D16/202
D640,721 S * 6/2011 Satine D16/202
D747,383 S * 1/2016 Li D16/203
D776,740 S * 1/2017 Okawa D16/203
D785,066 S * 4/2017 Liu D16/202
D805,570 S * 12/2017 Shi D16/202
D813,923 S * 3/2018 Wieser D16/203
D836,147 S * 12/2018 Rao D16/203

* cited by examiner

Primary Examiner — Ramzi S Almatrahi

(74) *Attorney, Agent, or Firm* — Larson & Larson, P.A.; Frank Liebenow; Justin P. Miller

(57) **CLAIM**

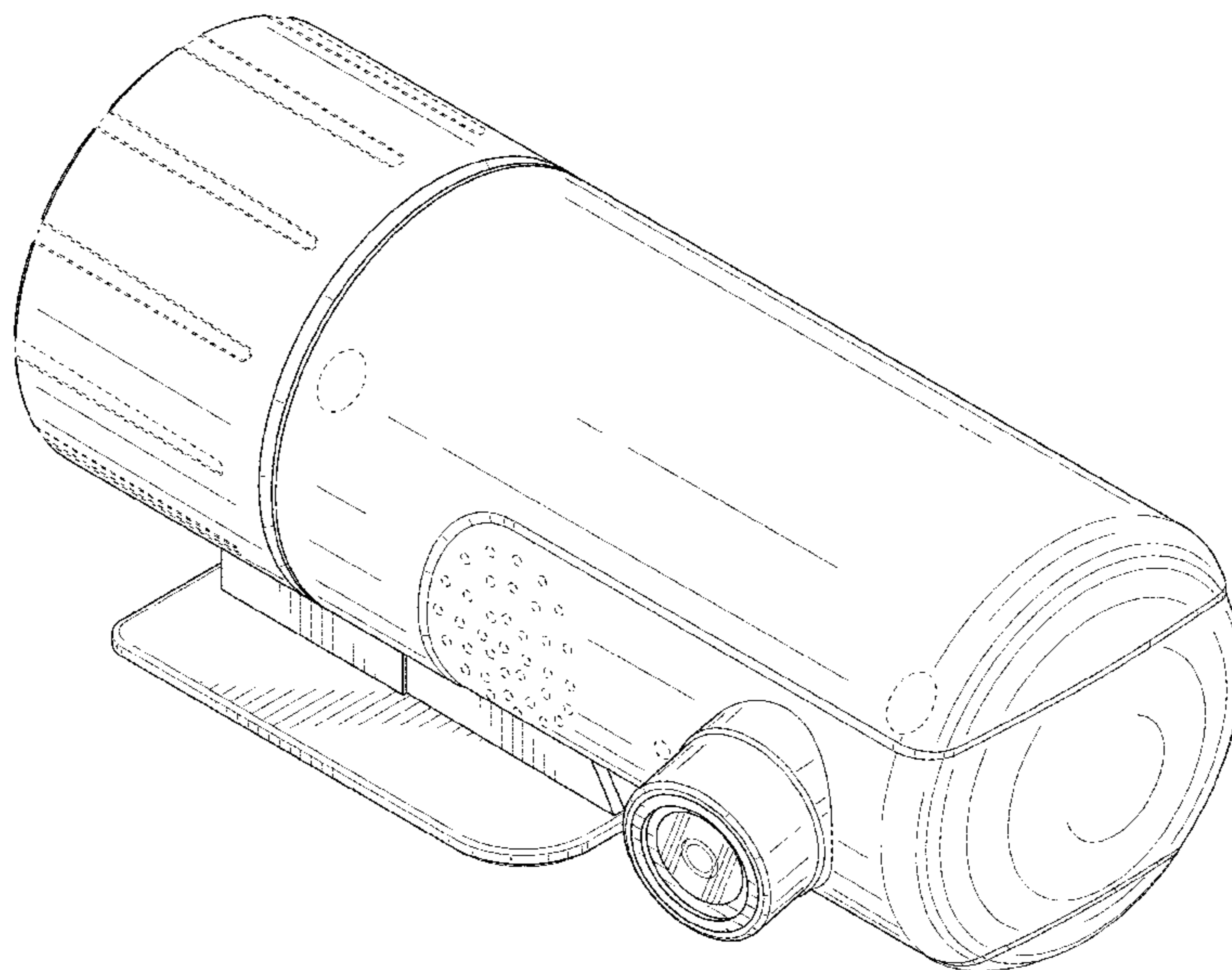
The ornamental design for a windshield mountable video camera, as shown and described.

DESCRIPTION

FIG. 1 is a perspective view of a windshield mountable video camera showing my new design; FIG. 2 is a front elevation view thereof; FIG. 3 is a rear elevation view thereof; FIG. 4 is a top plan view thereof; FIG. 5 is a bottom plan view thereof; FIG. 6 is a right side elevation view thereof; and, FIG. 7 is a left side elevation view thereof.

The broken lines depict portions of the windshield mountable video camera in which the design is embodied that form no part of the claimed design.

1 Claim, 6 Drawing Sheets



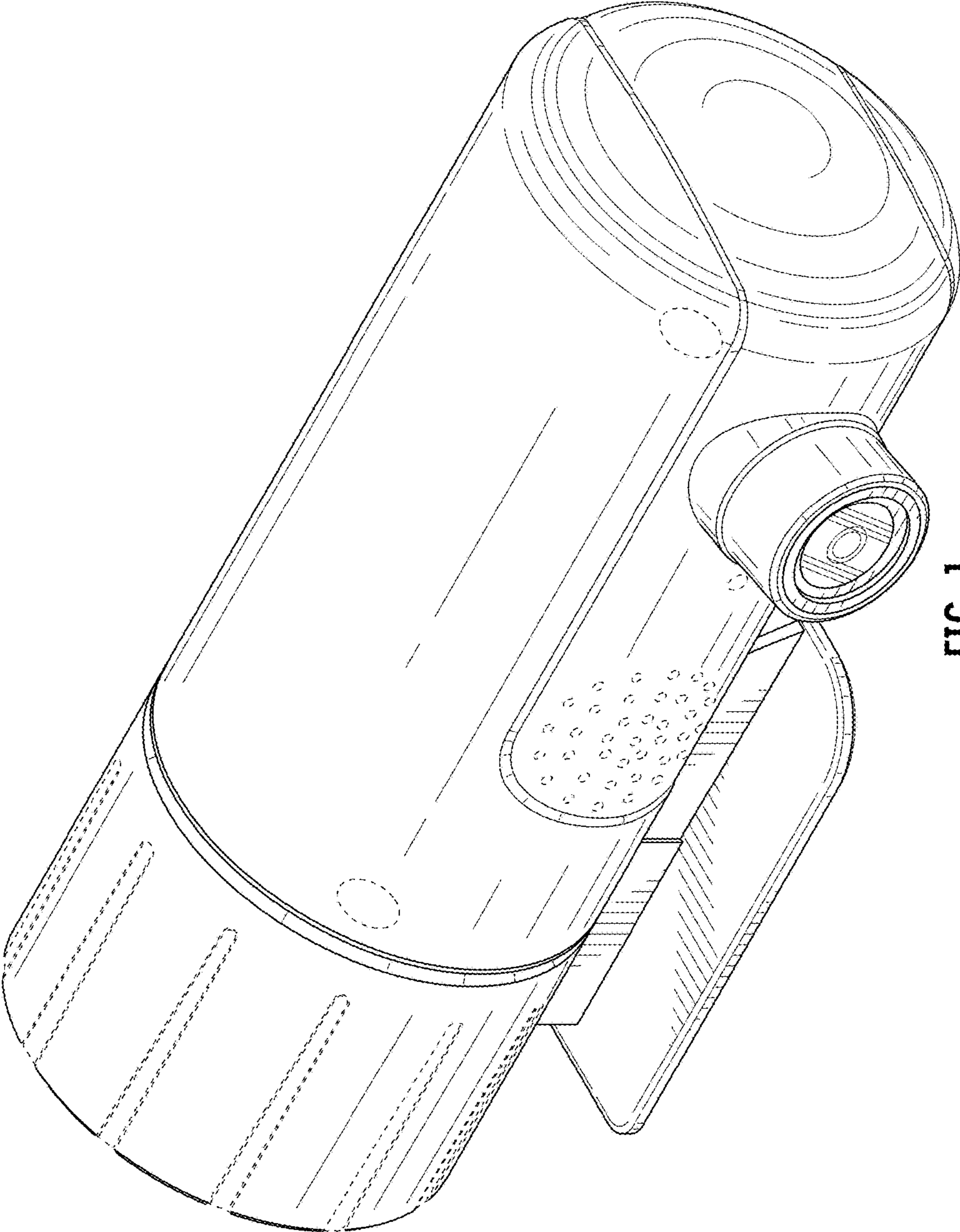


FIG. 1

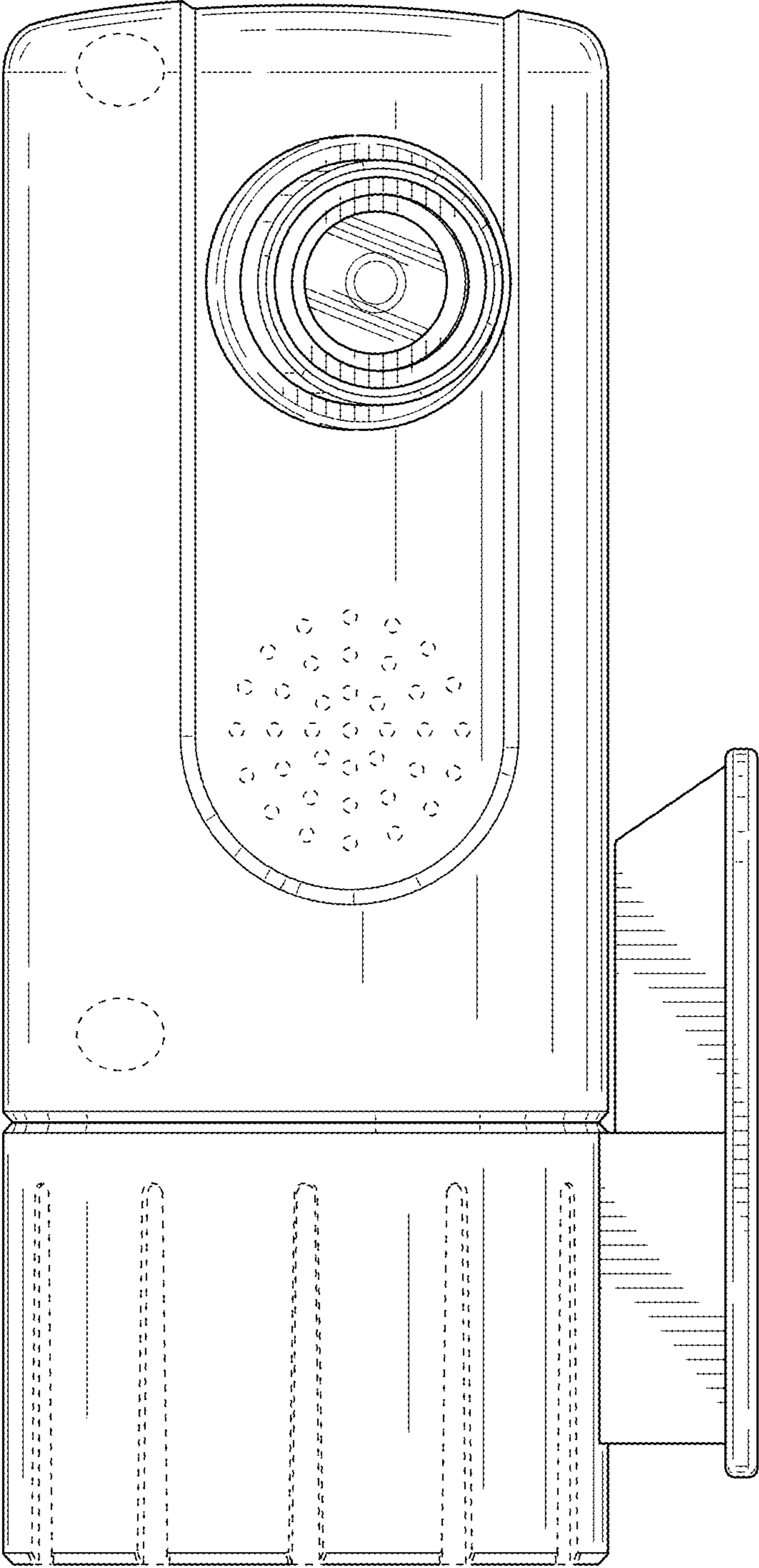


FIG. 2

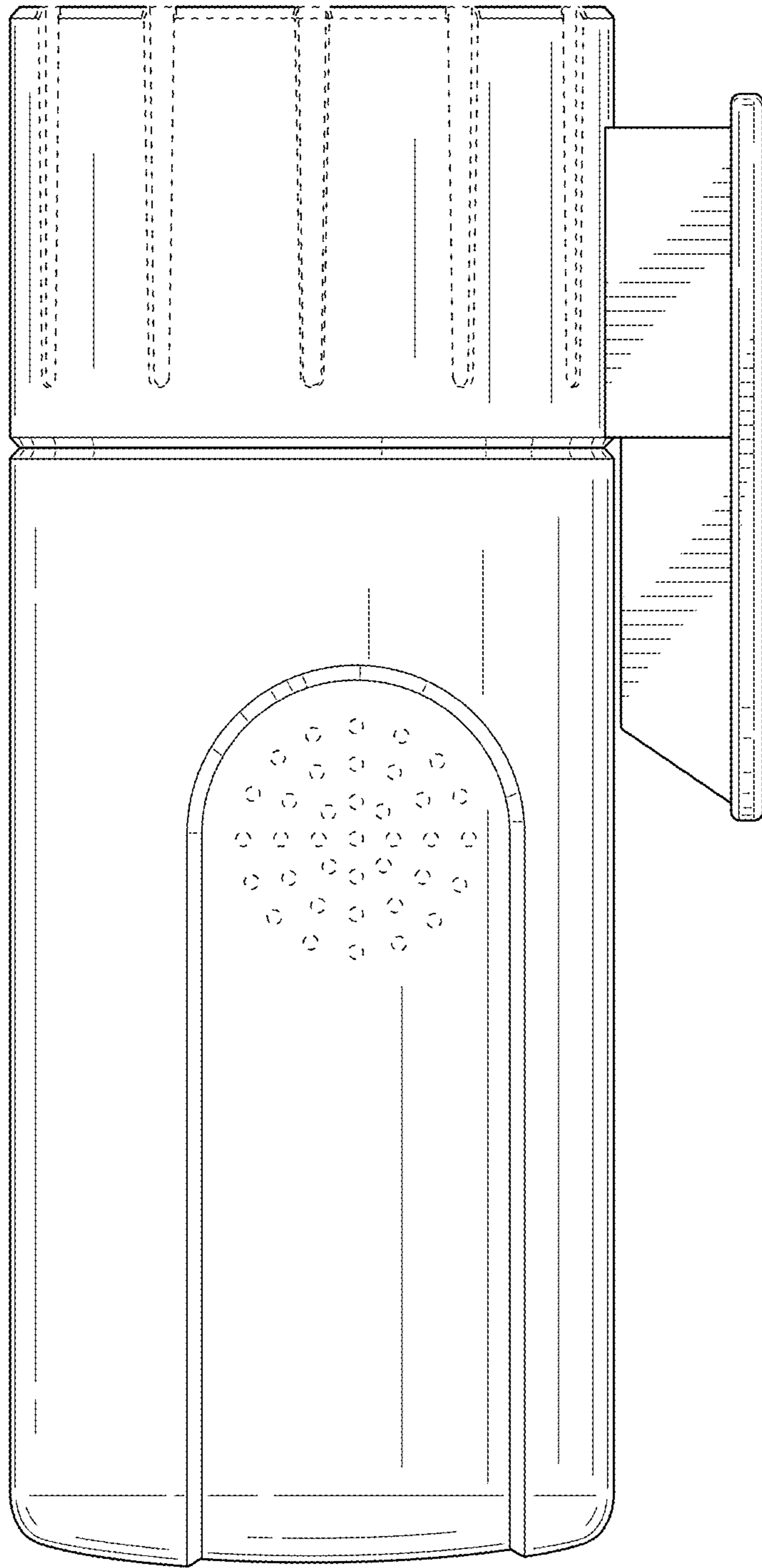


FIG. 3

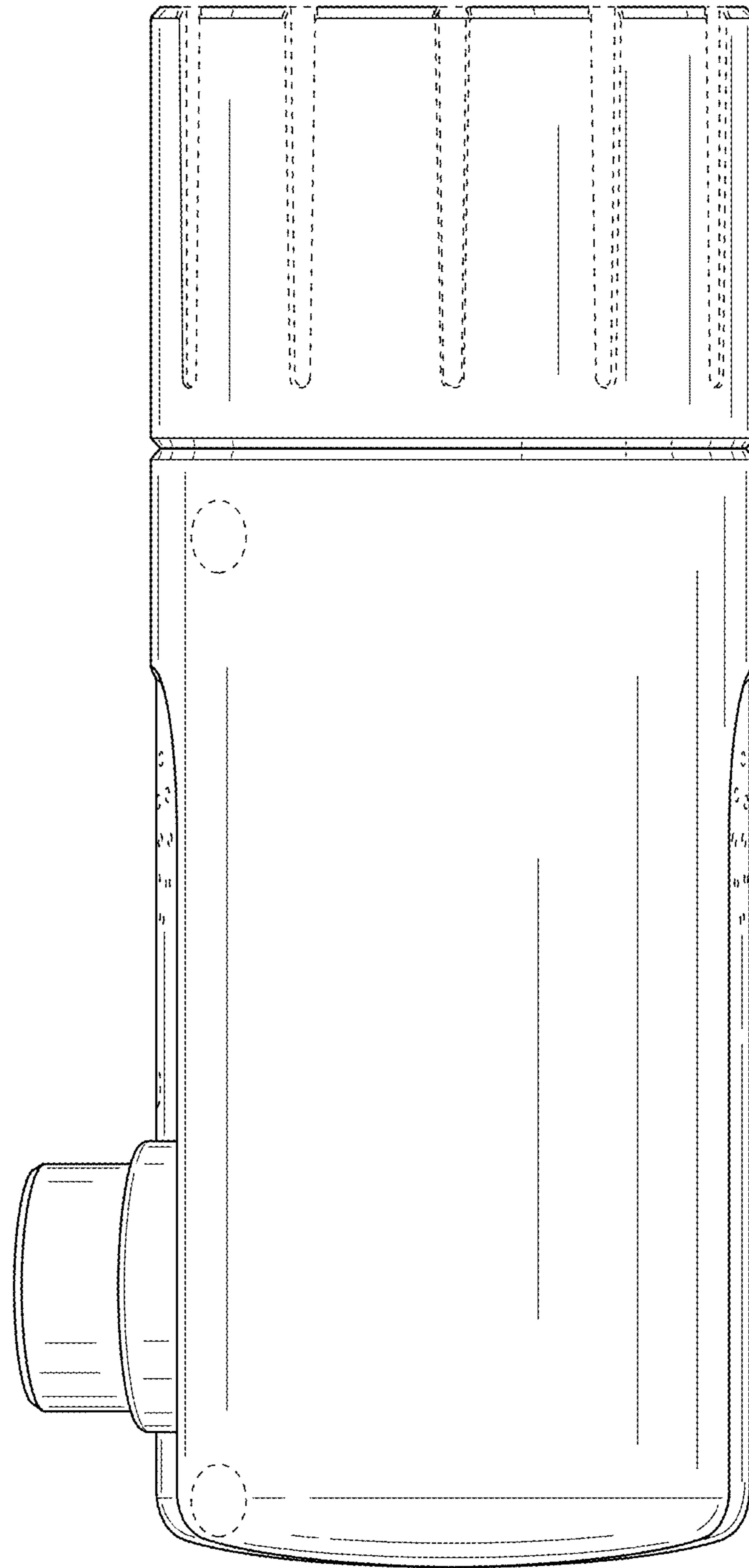


FIG. 4

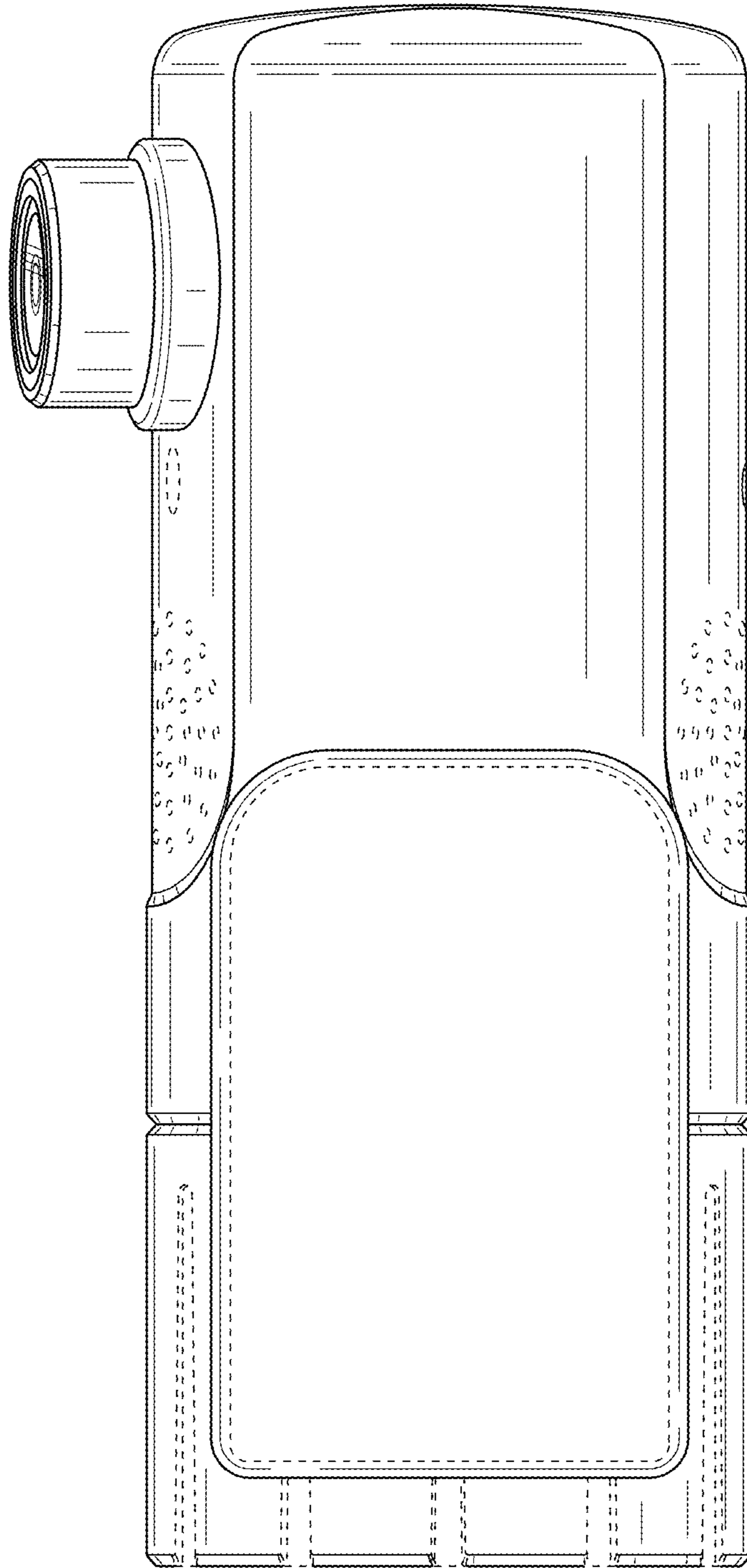


FIG. 5

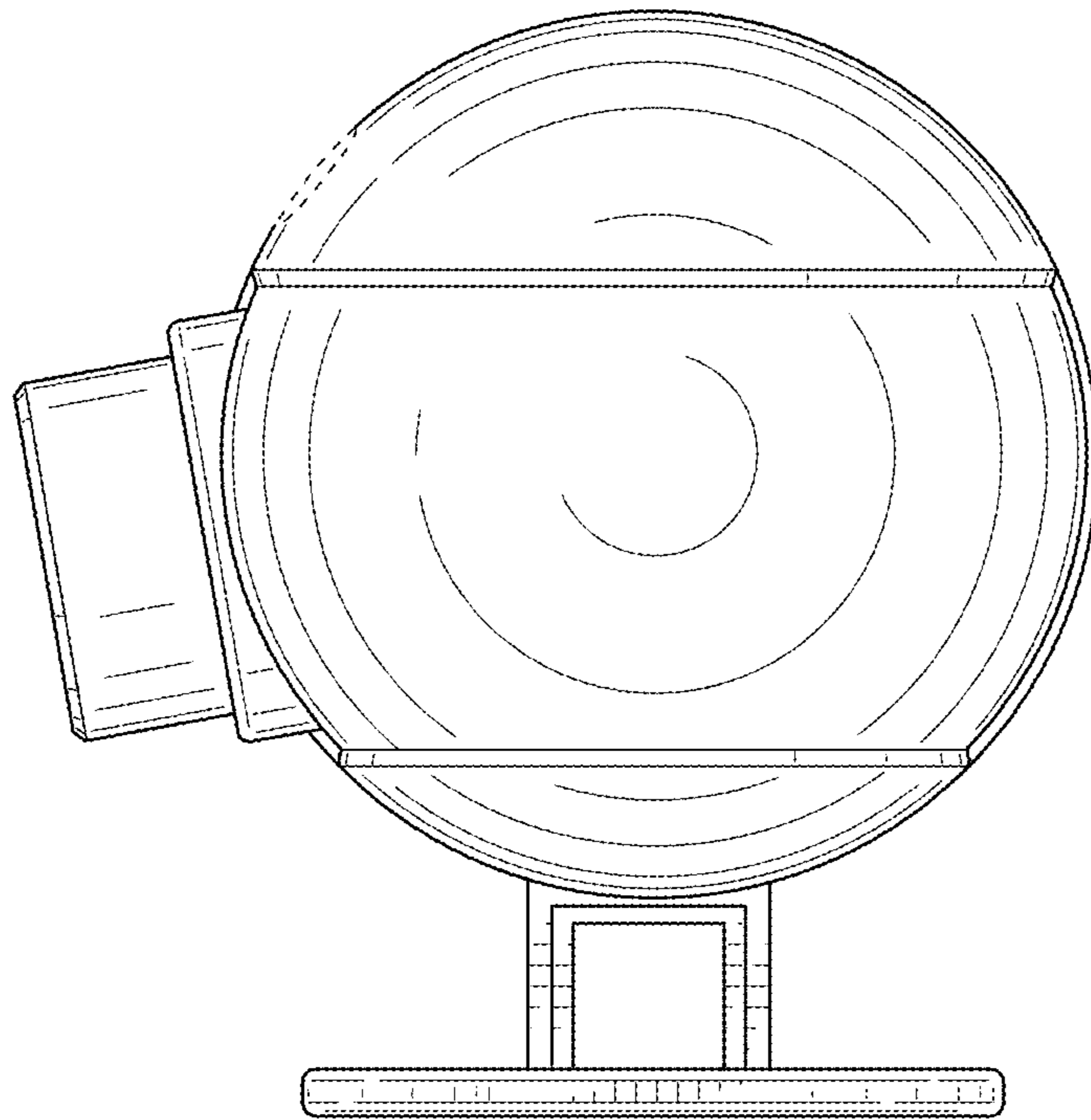


FIG. 6

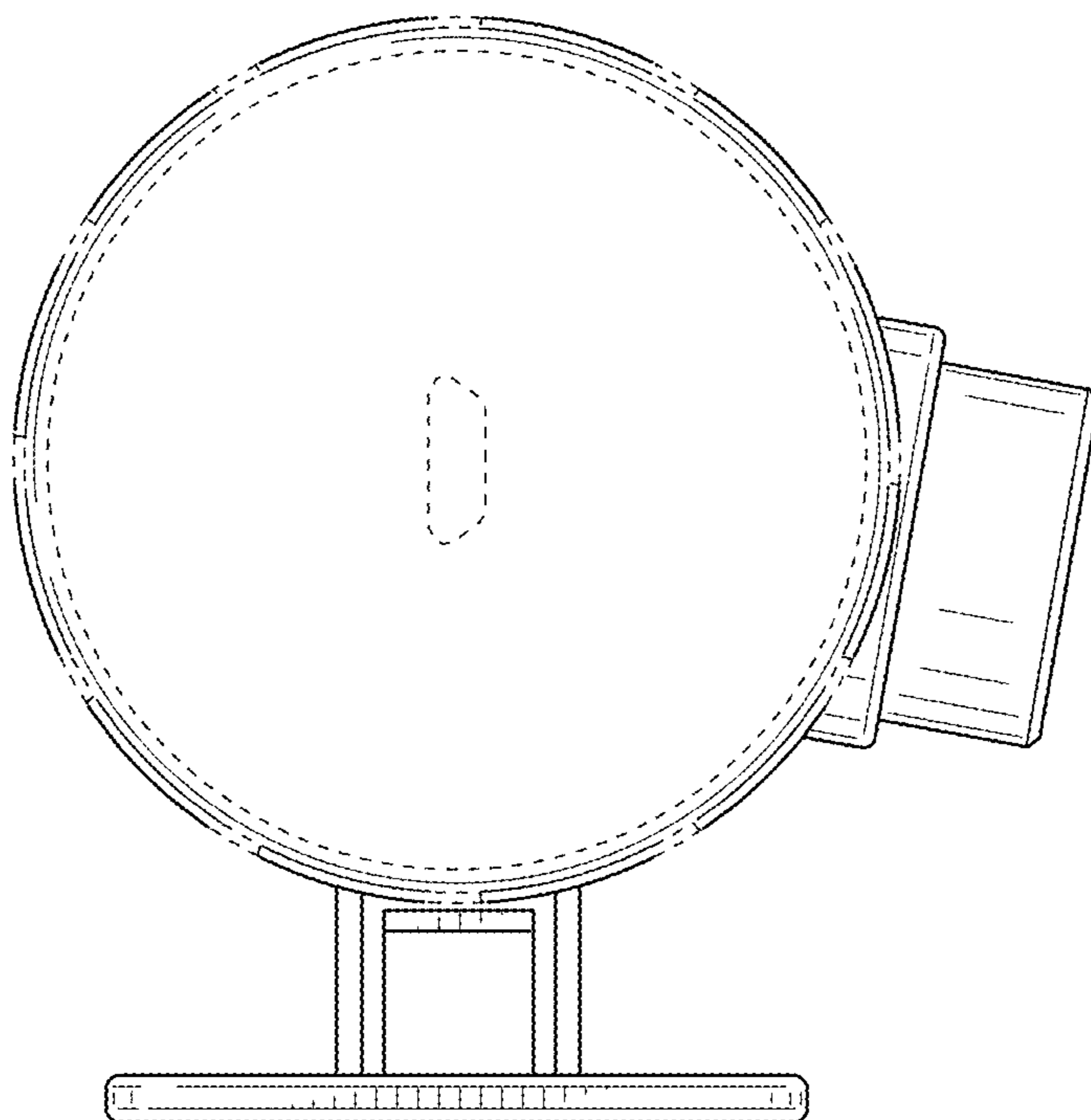


FIG. 7