



US00D866637S

(12) **United States Design Patent**
Xie et al.

(10) **Patent No.:** **US D866,637 S**
(45) **Date of Patent:** **** Nov. 12, 2019**

(54) **SPOTLIGHT CAMERA**
(71) Applicant: **Home Tech LLC**, Amawalk, NY (US)
(72) Inventors: **Junhong Xie**, Shenzhen (CN); **Tao Zhang**, Shenzhen (CN)
(73) Assignee: **HOME TECH LLC**, Amawalk, NY (US)
(**) Term: **15 Years**

(21) Appl. No.: **29/649,269**
(22) Filed: **May 29, 2018**
(51) **LOC (12) Cl.** **16-01**
(52) **U.S. Cl.**
USPC **D16/203**; D16/208; D26/63
(58) **Field of Classification Search**
USPC D16/200–220, 131, 237, 242, 239, 250,
D16/235, 130, 134, 136, 238;
D14/138 C, 240, 248, 203.1, 203.3, 203.7,
D14/218, 207; D10/104.1, 50, 65, 74,
D10/70, 118.2; D26/28, 29, 34, 51, 52,
D26/60, 61, 722; D3/260; D30/109,
D30/104, 106, 107; D22/136
CPC . G02B 7/02; G02B 7/021; G02B 7/04; G02B
7/14; G02B 7/003; G03B 17/00; G03B
17/02; G03B 17/56; G03B 17/04; G03B
17/14; G03B 17/08; G03B 15/03; G03B
15/06; H04N 5/2251; H04N 5/2252;
H04N 5/2253; H04N 5/2254; H04N 7/00;
H04N 2101/00; F16M 13/00
See application file for complete search history.

(56) **References Cited**

U.S. PATENT DOCUMENTS

D338,845 S * 8/1993 Rohrs D10/106.8
D424,727 S * 5/2000 Greubel D10/104.1
D435,799 S * 1/2001 Leen D10/104.1
D514,150 S * 1/2006 Muto D16/203
D519,662 S * 4/2006 Mullen D26/61
D554,169 S * 10/2007 Peng D16/203

D629,538 S * 12/2010 Nagano D26/28
D633,932 S * 3/2011 Park D16/203
D634,345 S * 3/2011 Kim D16/203
(Continued)

FOREIGN PATENT DOCUMENTS

CN 302064240 * 9/2012
CN 302436003 * 5/2013
(Continued)

OTHER PUBLICATIONS

CasaCam VS1001 Wireless Security Camera System, published Jul. 12, 2018 [online], [retrieved Jul. 30, 2019], Available from Internet, URL https://www.amazon.com/CasaCam-VS1001-Wireless-Spotlight-Touchscreen/dp/B07BJJ8SCY/ref=sr_1_1?keywords=VSS&m=A1A0BLK9EIU0LL&qid=1564568729&refinements=p_6%3AA1A0BLK9EIU0LL&s=security-.*
(Continued)

Primary Examiner — Barbara Fox
Assistant Examiner — Mary Claire Ramirez
(74) *Attorney, Agent, or Firm* — Dilworth IP, LLC

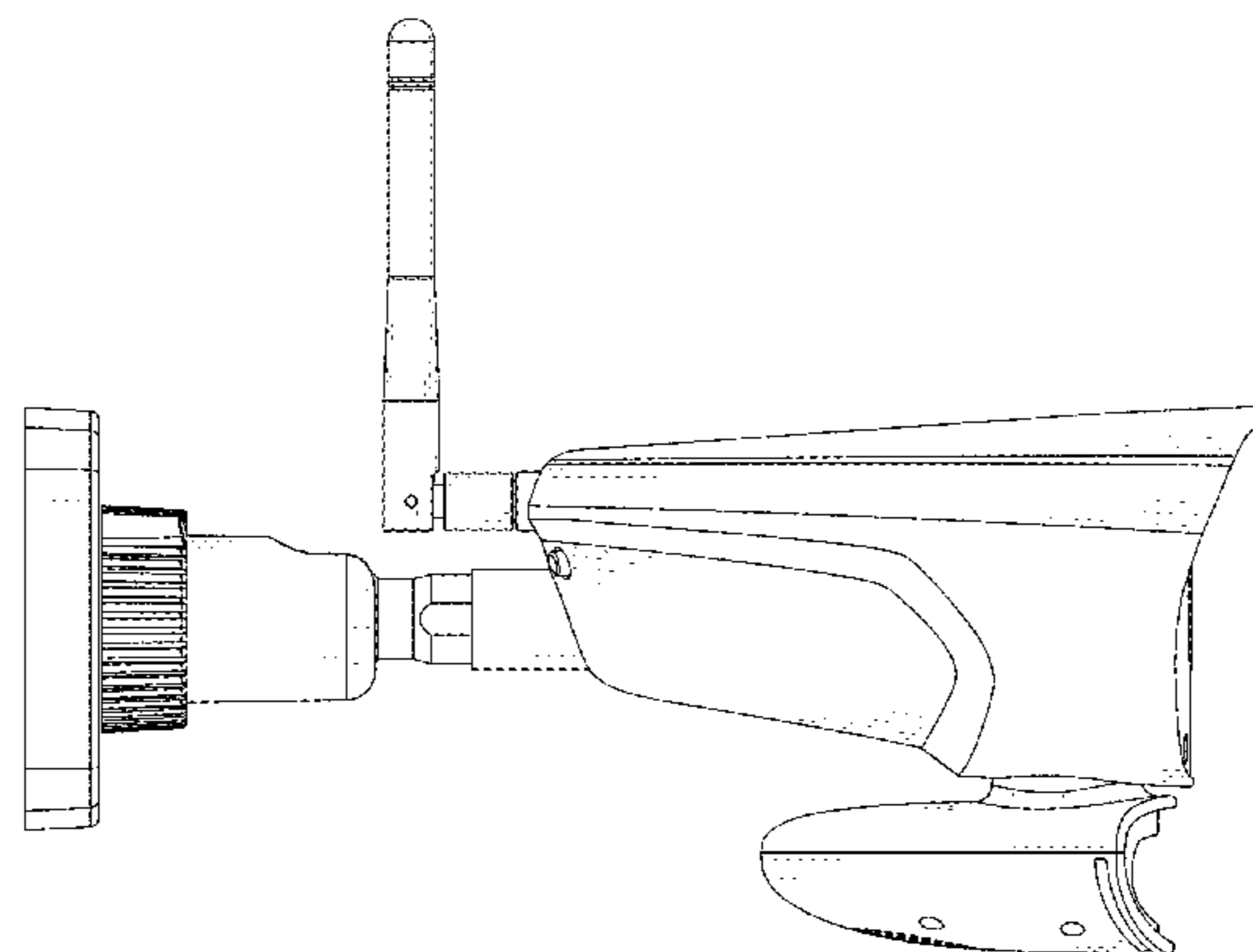
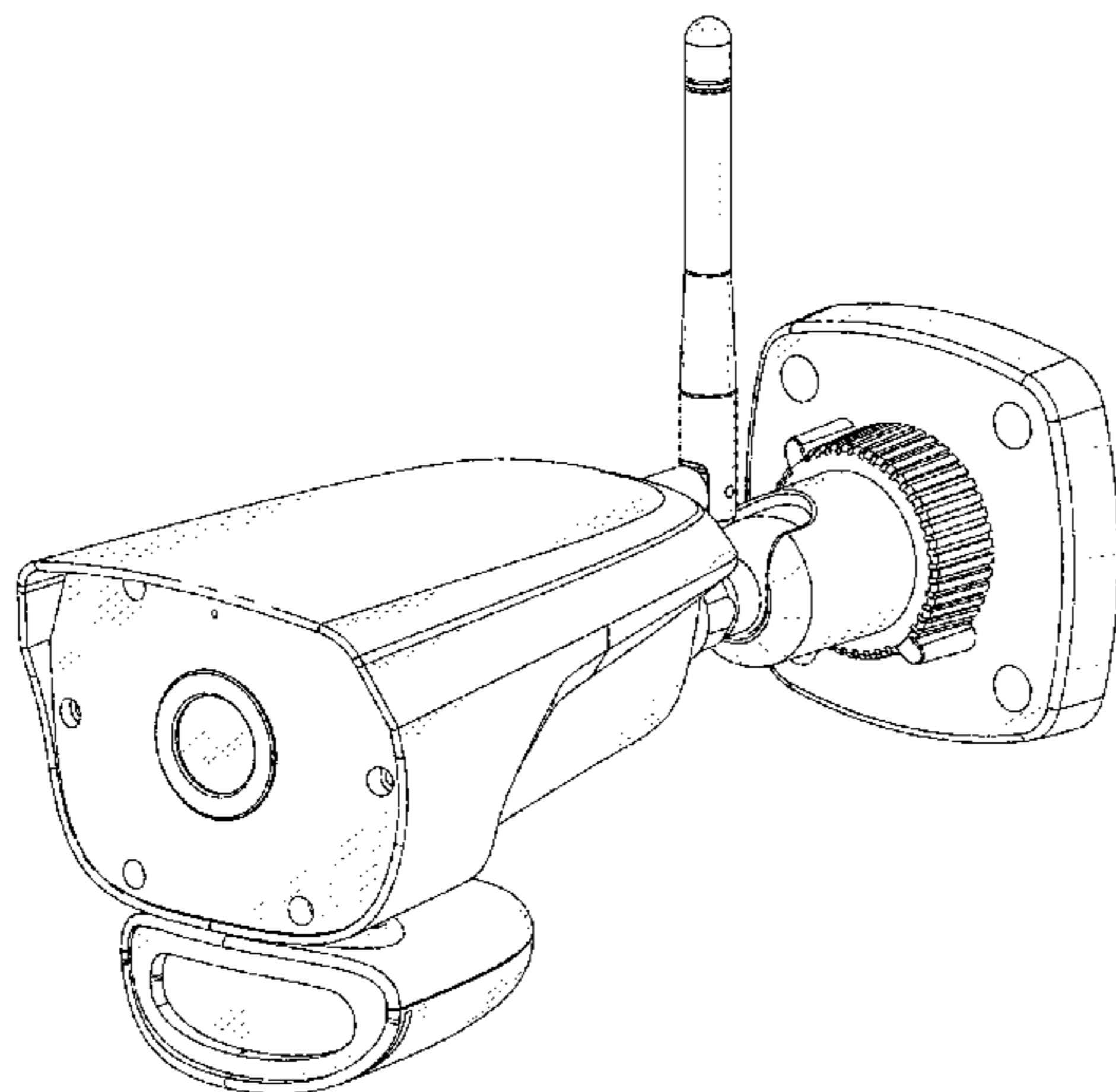
(57) **CLAIM**

The ornamental design for a spotlight camera, as shown and described.

DESCRIPTION

FIG. 1 is a perspective view of a spotlight camera showing the new design;
FIG. 2 is a front view thereof;
FIG. 3 is a back view thereof;
FIG. 4 is a left side view thereof;
FIG. 5 is a right side view thereof;
FIG. 6 is a top view thereof; and,
FIG. 7 is a bottom view thereof.
The broken lines are for the purposes of illustrating portions of the spotlight camera and form no part of the claimed design.

1 Claim, 7 Drawing Sheets



(56)

References Cited

U.S. PATENT DOCUMENTS

D634,346 S * 3/2011 Park D16/203
 D634,347 S * 3/2011 Park D16/203
 D634,768 S * 3/2011 Ko D16/203
 D635,172 S * 3/2011 Ko D16/203
 D637,639 S * 5/2011 Park D16/203
 D637,640 S * 5/2011 Park D16/203
 D646,822 S * 10/2011 Johannessen D14/371
 D661,719 S * 6/2012 Katori D16/203
 D684,619 S * 6/2013 Chapple D16/203
 D721,756 S * 1/2015 Hallstrom D16/203
 D723,603 S * 3/2015 Hess, Jr. D16/203
 D731,574 S * 6/2015 Hallstrom D16/203
 D741,933 S * 10/2015 Bergstrom D16/203
 D759,859 S * 6/2016 Ng D26/28
 D774,231 S * 12/2016 Recker D26/63
 D810,170 S * 2/2018 Geng D16/203
 D820,896 S * 6/2018 Novak D16/203
 D823,369 S * 7/2018 Wang D16/203
 D826,445 S * 8/2018 Cao D26/63
 D827,691 S * 9/2018 Zhong D16/203
 D832,329 S * 10/2018 Li D16/203
 D848,518 S * 5/2019 Kuroda D16/235
 2013/0033606 A1* 2/2013 Takahashi H04N 5/2254
 348/164
 2014/0198208 A1* 7/2014 Neufeld G06F 3/005
 348/143

2014/0347754 A1* 11/2014 Lee G03B 3/00
 359/825
 2015/0070494 A1* 3/2015 Hess, Jr. H04N 17/002
 348/143
 2015/0358511 A1* 12/2015 Jung H04N 5/2252
 348/143

FOREIGN PATENT DOCUMENTS

CN 302661768 * 11/2013
 CN 302703880 * 1/2014
 CN 303368775 * 9/2015
 CN 303416071 * 10/2015
 CN 303677337 * 5/2016
 CN 303877677 * 10/2016

OTHER PUBLICATIONS

CasaCam VS1002 Wireless Security Camera System, published Jul. 12, 2018 [online], [retrieved Aug. 19, 2019], Available from Internet, URL: https://www.amazon.com/CasaCam-VS1002-Wireless-Spotlight-Touchscreen/dp/B07BJGHCY7/ref=sr_1_1?crid=3JPM13ZRKEE87&keywords=casacam+vs1002+wireless+security+camera+system+with+hd+spotl.*

* cited by examiner

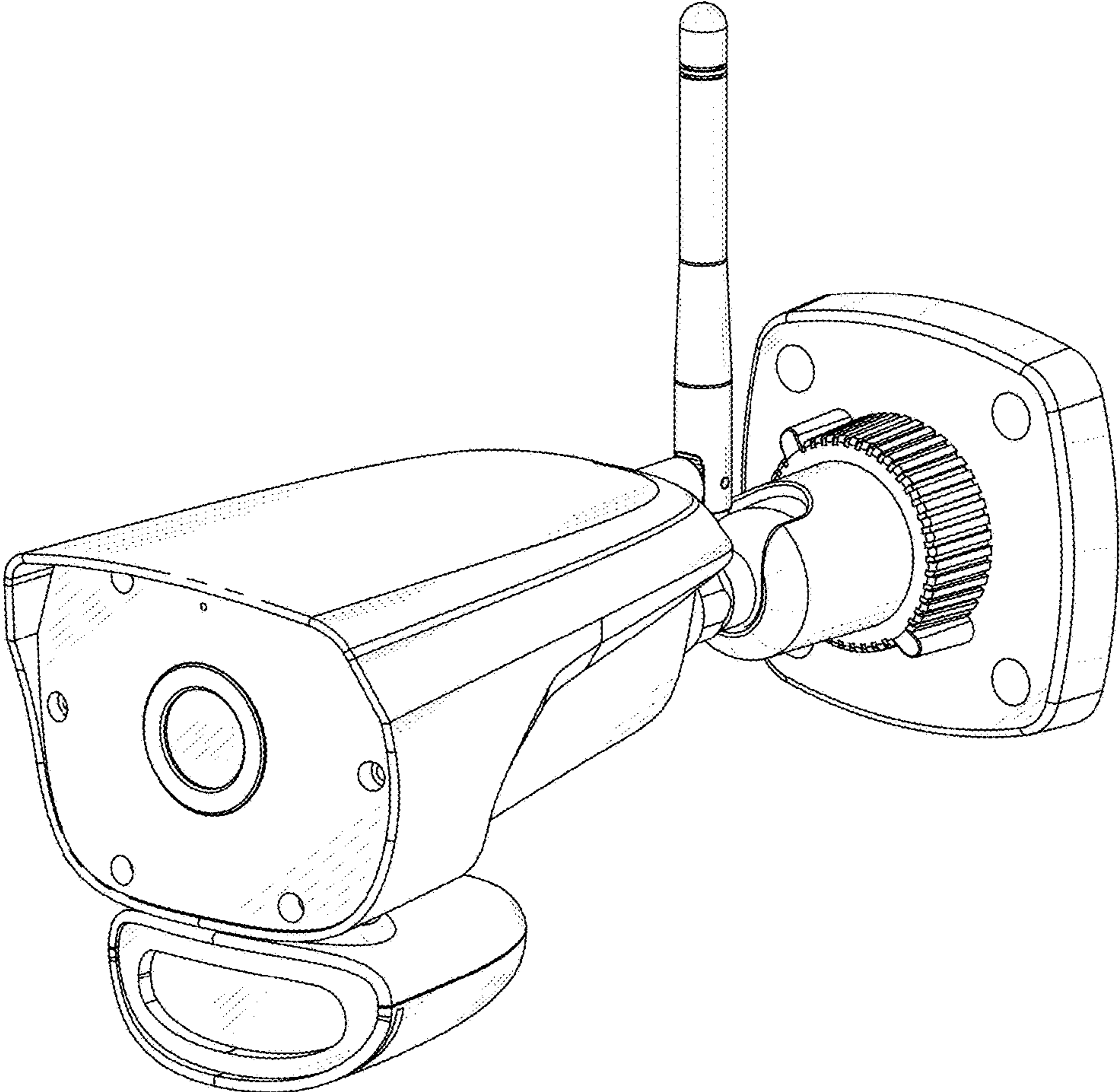


FIG. 1

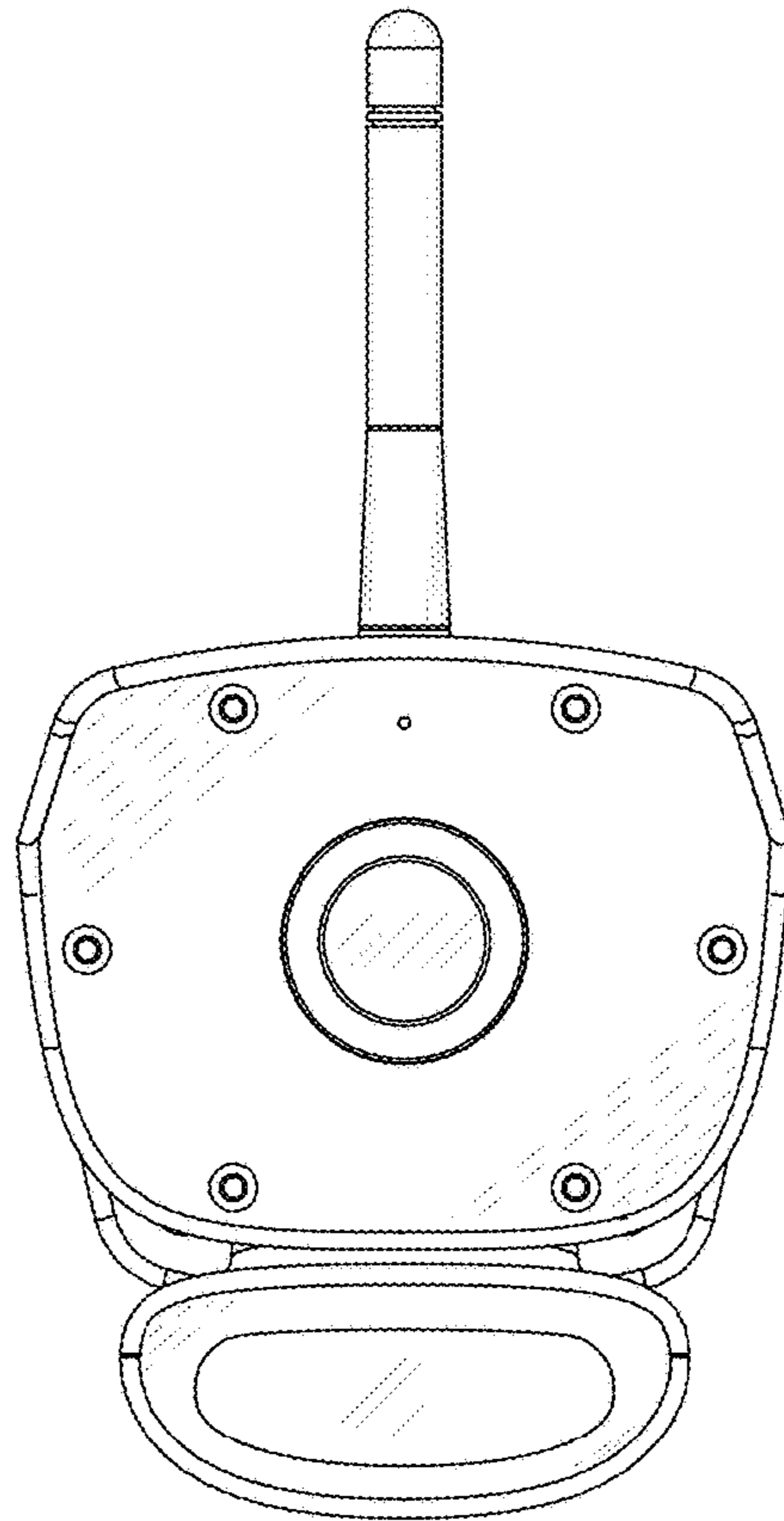


FIG.2

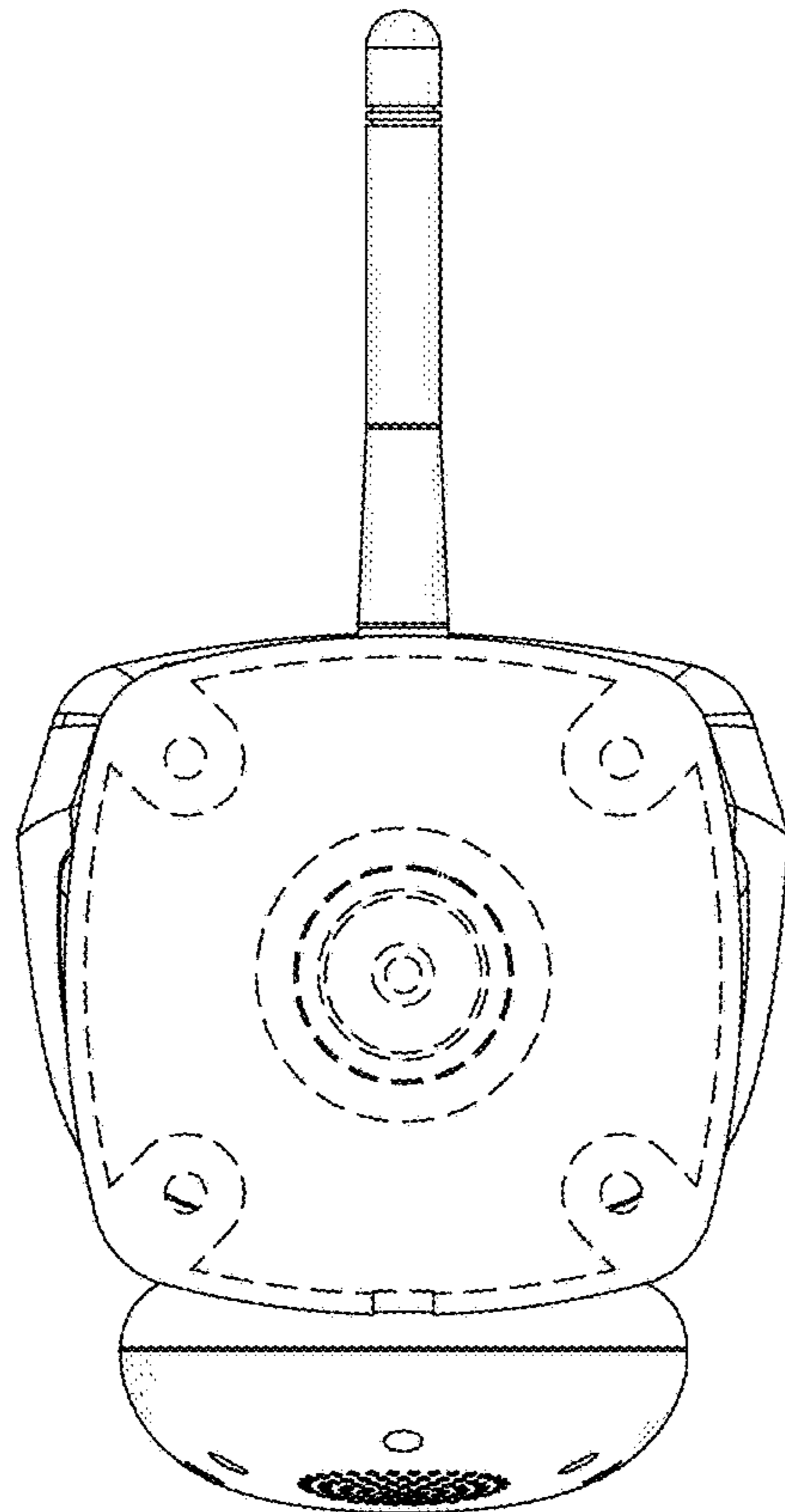


FIG.3

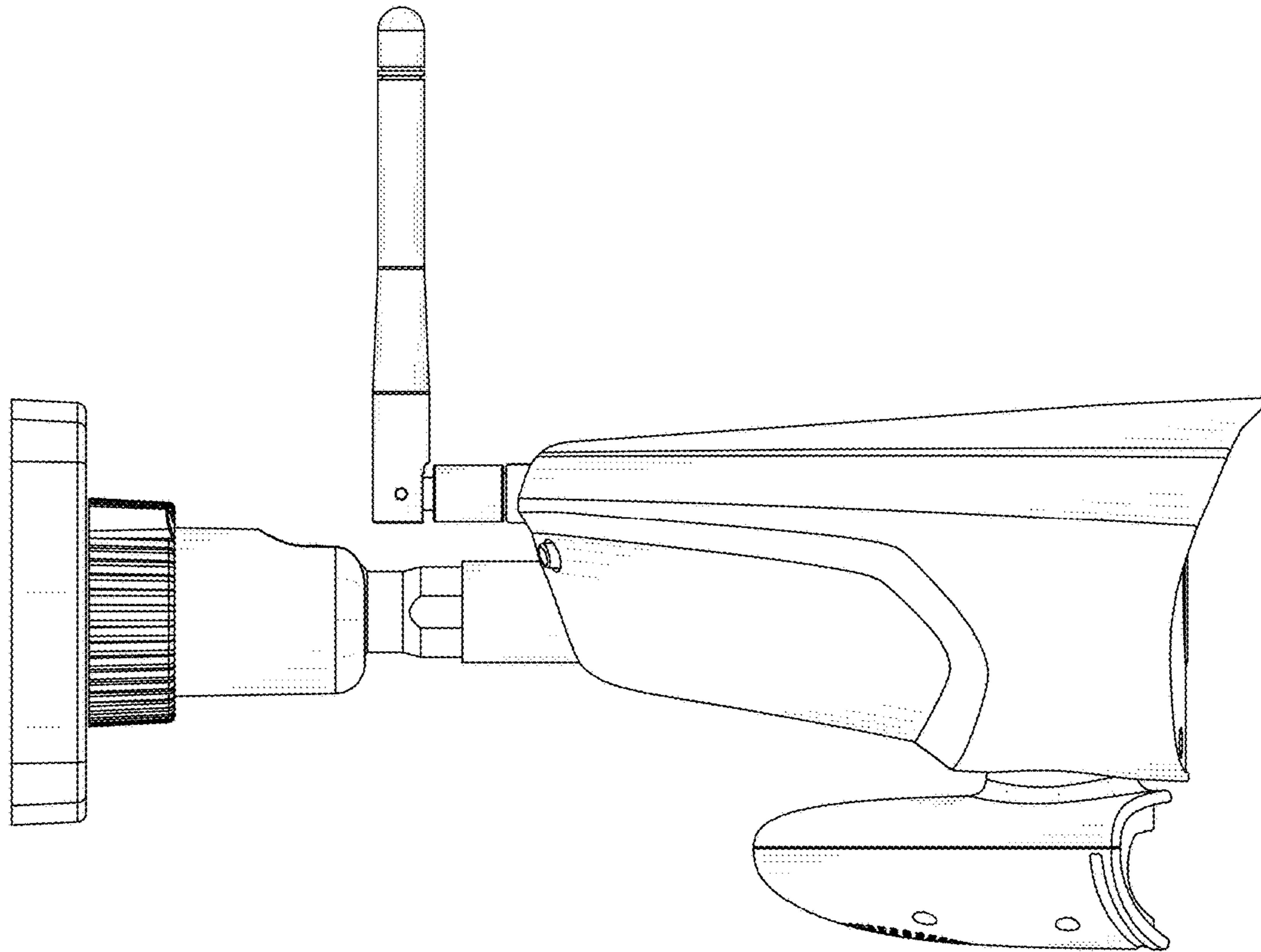


FIG.4

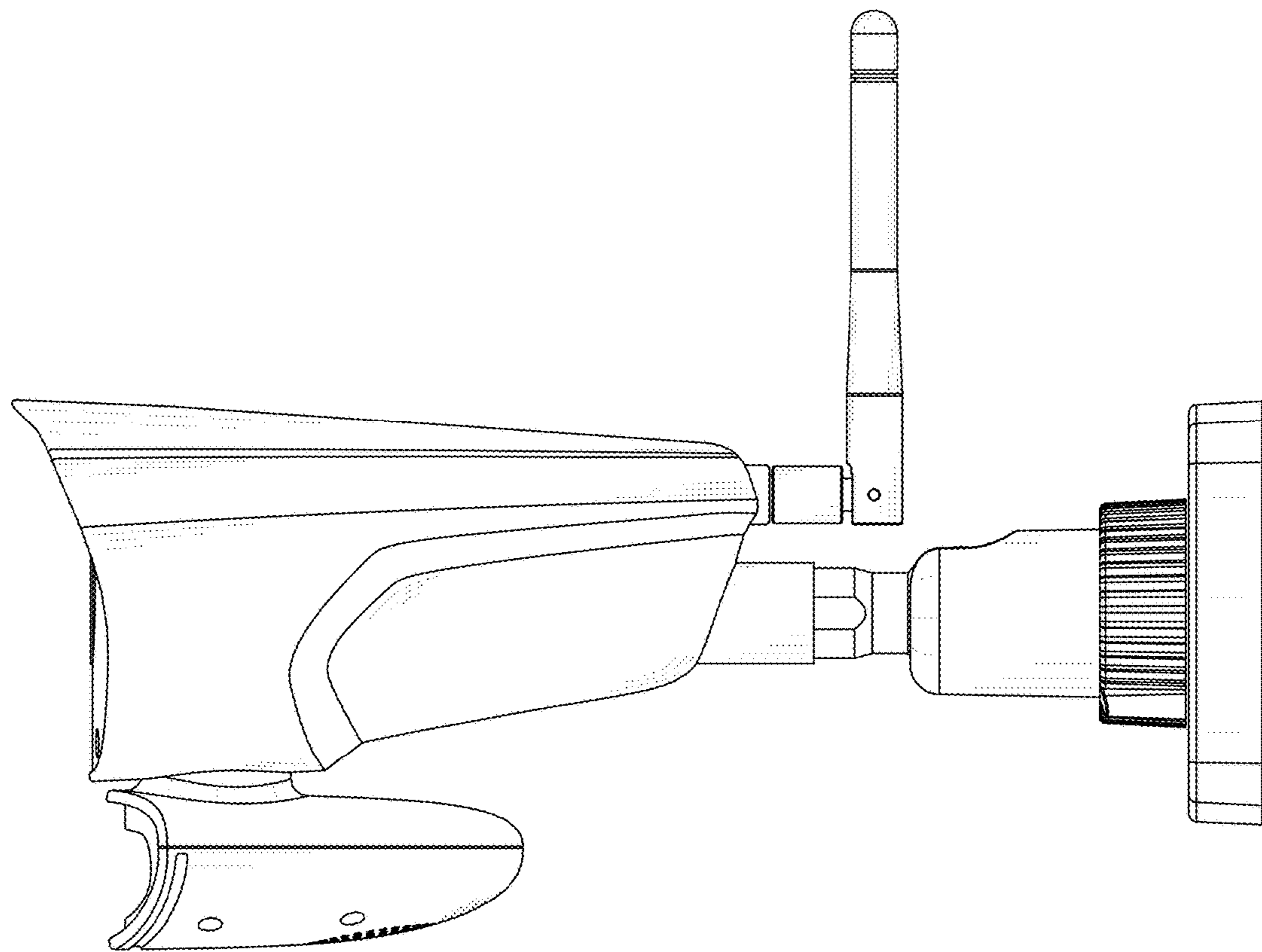


FIG.5

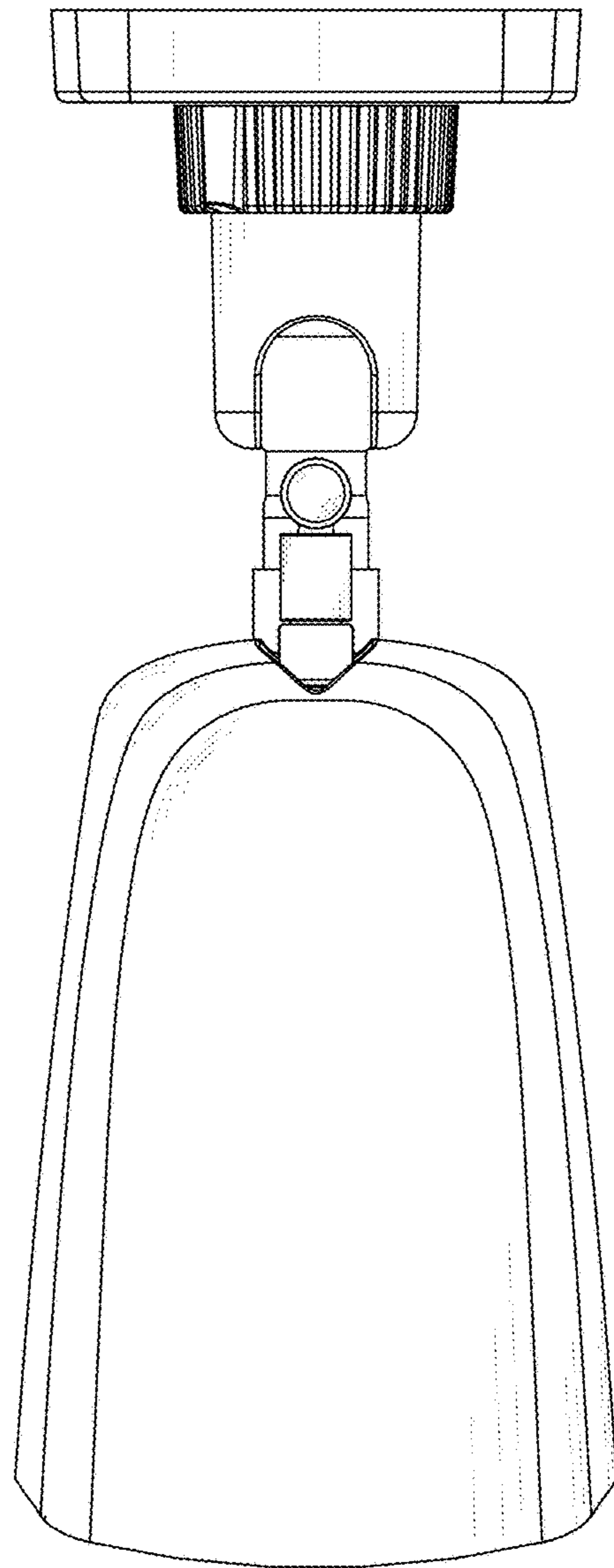


FIG.6

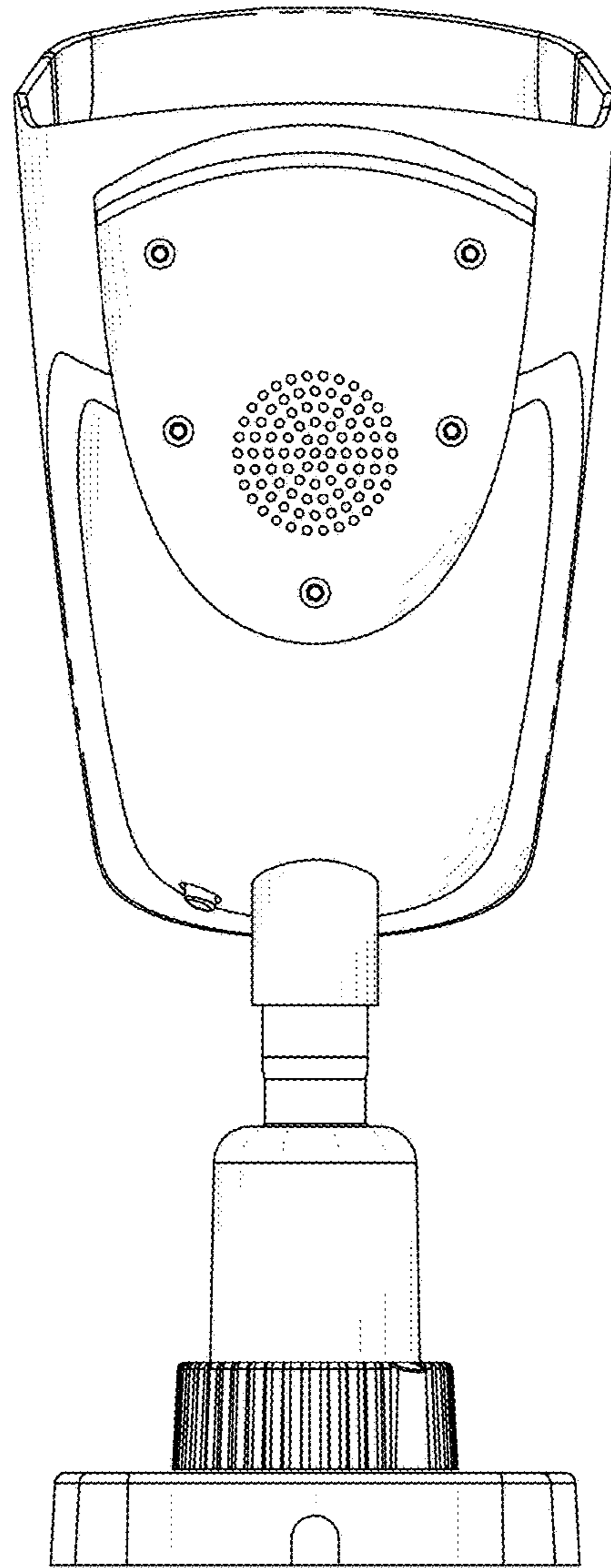


FIG. 7