



US00D866635S

(12) **United States Design Patent**
Zhong

(10) **Patent No.:** **US D866,635 S**

(45) **Date of Patent:** **** Nov. 12, 2019**

(54) **CAMERA**

(71) Applicant: **Shenzhen Kean Digital Co., Ltd.**,
Shenzhen, Guangdong (CN)

(72) Inventor: **Dewei Zhong**, Shenzhen (CN)

(73) Assignee: **Shenzhen Kean Digital Co., Ltd.**,
Shenzhen (CN)

(**) Term: **15 Years**

(21) Appl. No.: **29/641,248**

(22) Filed: **Mar. 20, 2018**

(51) **LOC (12) Cl.** **16-01**

(52) **U.S. Cl.**
USPC **D16/203**

(58) **Field of Classification Search**
USPC D16/200, 202–206, 218, 219, 242;
348/143, 148, 151, 373–376; 396/419,
396/427, 535, 539–541
CPC G03B 17/02; G03B 19/04; G03B 17/56;
G03B 17/04; G03B 15/03; H04N 5/2251;
H04N 5/2252; H04N 5/2253; H04N
5/2254; H04N 7/181; H04N 7/183; H04N
7/18; G08B 13/1963; G08B 13/19619;
G08B 13/19632; F16M 11/04; F16M
13/00

See application file for complete search history.

(56) **References Cited**

U.S. PATENT DOCUMENTS

D542,319 S * 5/2007 Ishida D16/202
D552,650 S * 10/2007 Yamakawa D16/203

D583,845 S * 12/2008 Hayashi D14/130
D609,732 S * 2/2010 Frank D16/203
D626,984 S * 11/2010 Miyaji D16/202
8,695,258 B2 * 4/2014 Kori G09F 7/06
40/663
D704,240 S * 5/2014 McBride D16/203
D723,395 S * 3/2015 Dispenza D10/53
D741,389 S * 10/2015 Park D16/203
D746,887 S * 1/2016 Deng D16/202
D751,619 S * 3/2016 Jeong D16/203
D757,835 S * 5/2016 Tabuchi D16/203
D784,434 S * 4/2017 Benedetti D16/202

* cited by examiner

Primary Examiner — Ramzi S Almatrahi

(74) *Attorney, Agent, or Firm* — ScienBiziP, P.C.

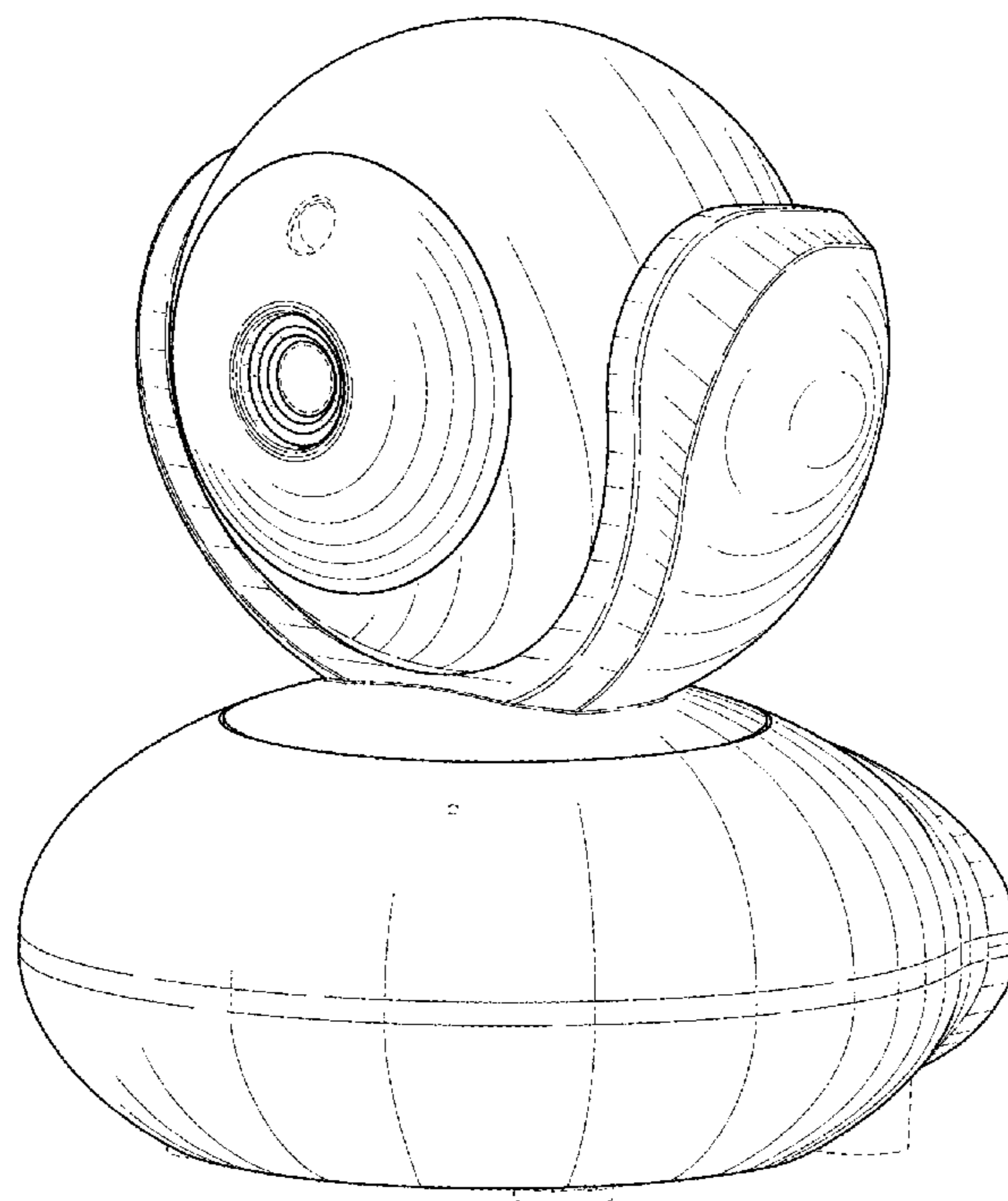
(57) **CLAIM**

The ornamental design for a camera, as shown and described.

DESCRIPTION

FIG. 1 is a front perspective view of a camera;
FIG. 2 is a front elevation view of the camera of FIG. 1;
FIG. 3 is a rear elevation view of the camera of FIG. 1;
FIG. 4 is a left-side elevation view of the camera of FIG. 1;
FIG. 5 is a right-side elevation view of the camera of FIG. 1;
FIG. 6 is a top plan view of the camera of FIG. 1; and,
FIG. 7 is a bottom plan view of the camera of FIG. 1.
The broken lines depict portions of the camera in which the design is embodied that form no part of the claimed design.

1 Claim, 4 Drawing Sheets



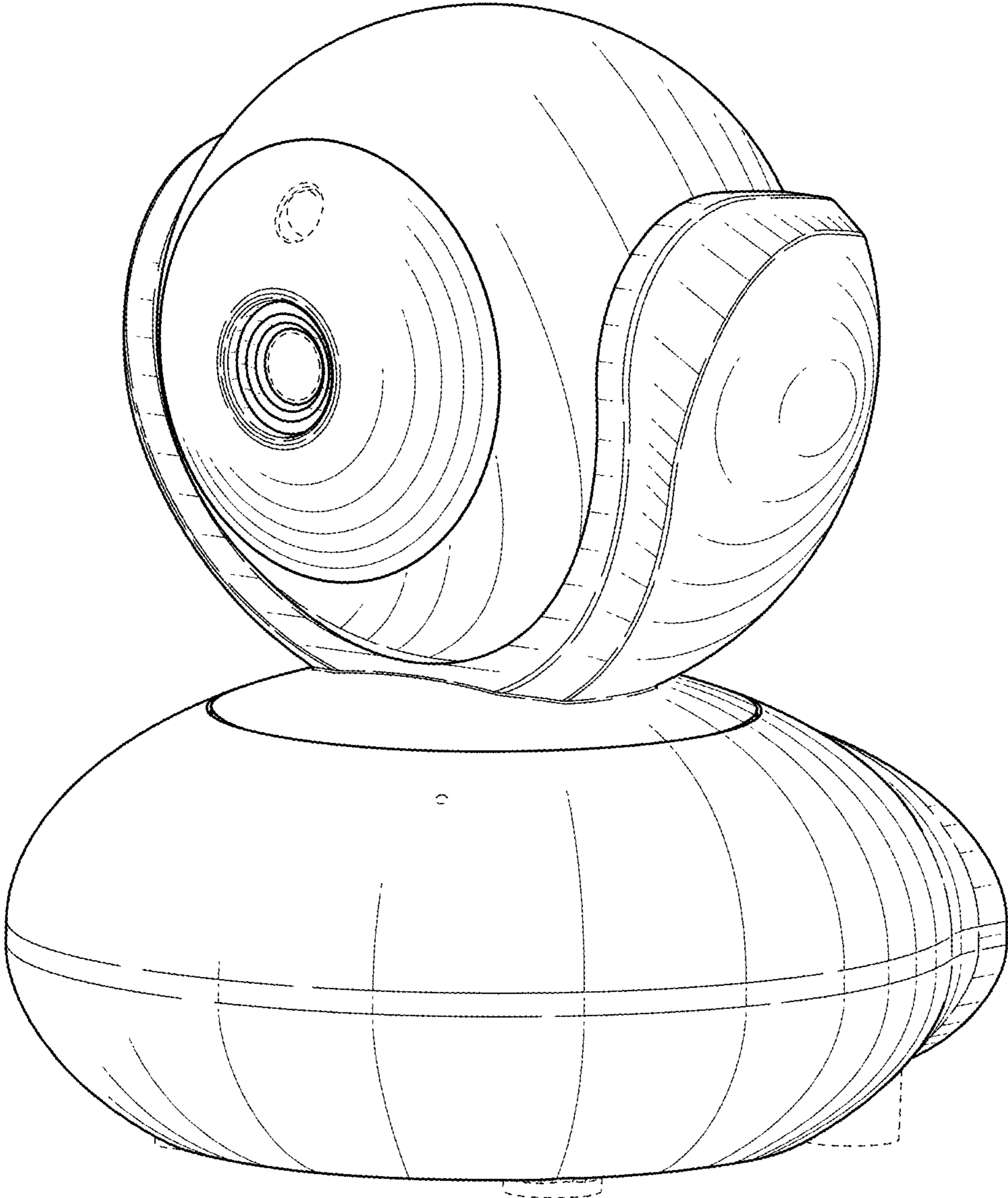


FIG. 1

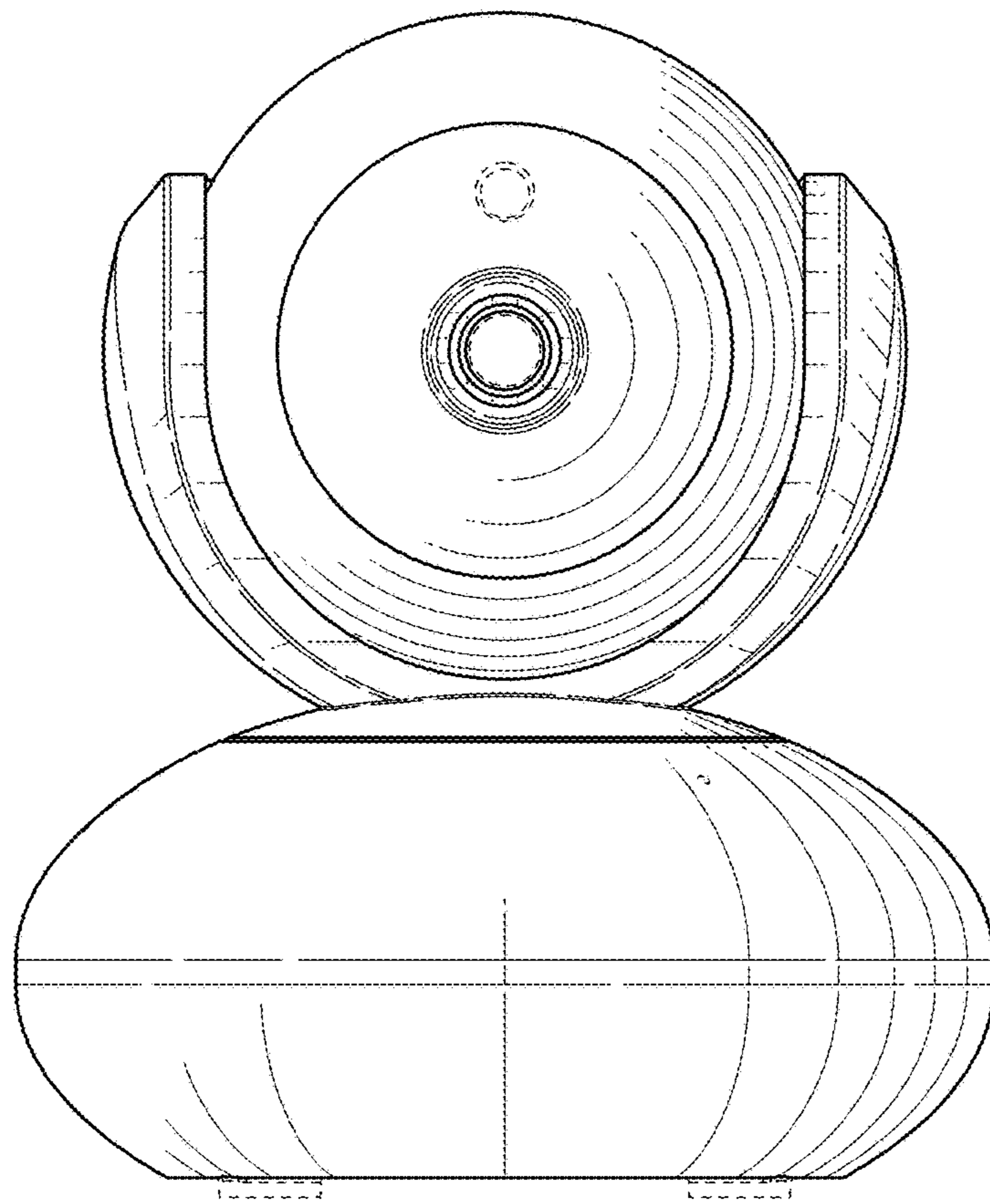


FIG. 2

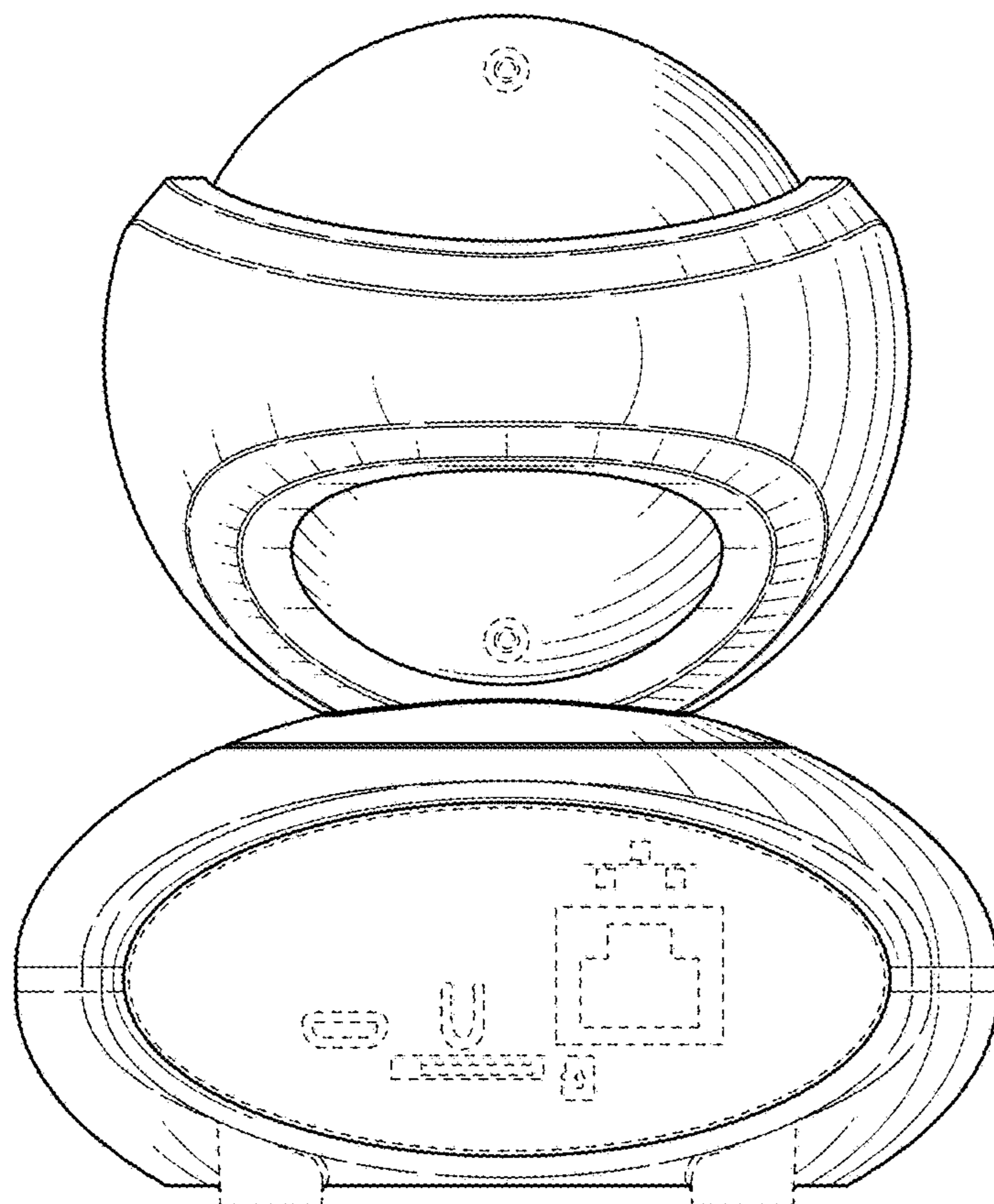


FIG. 3

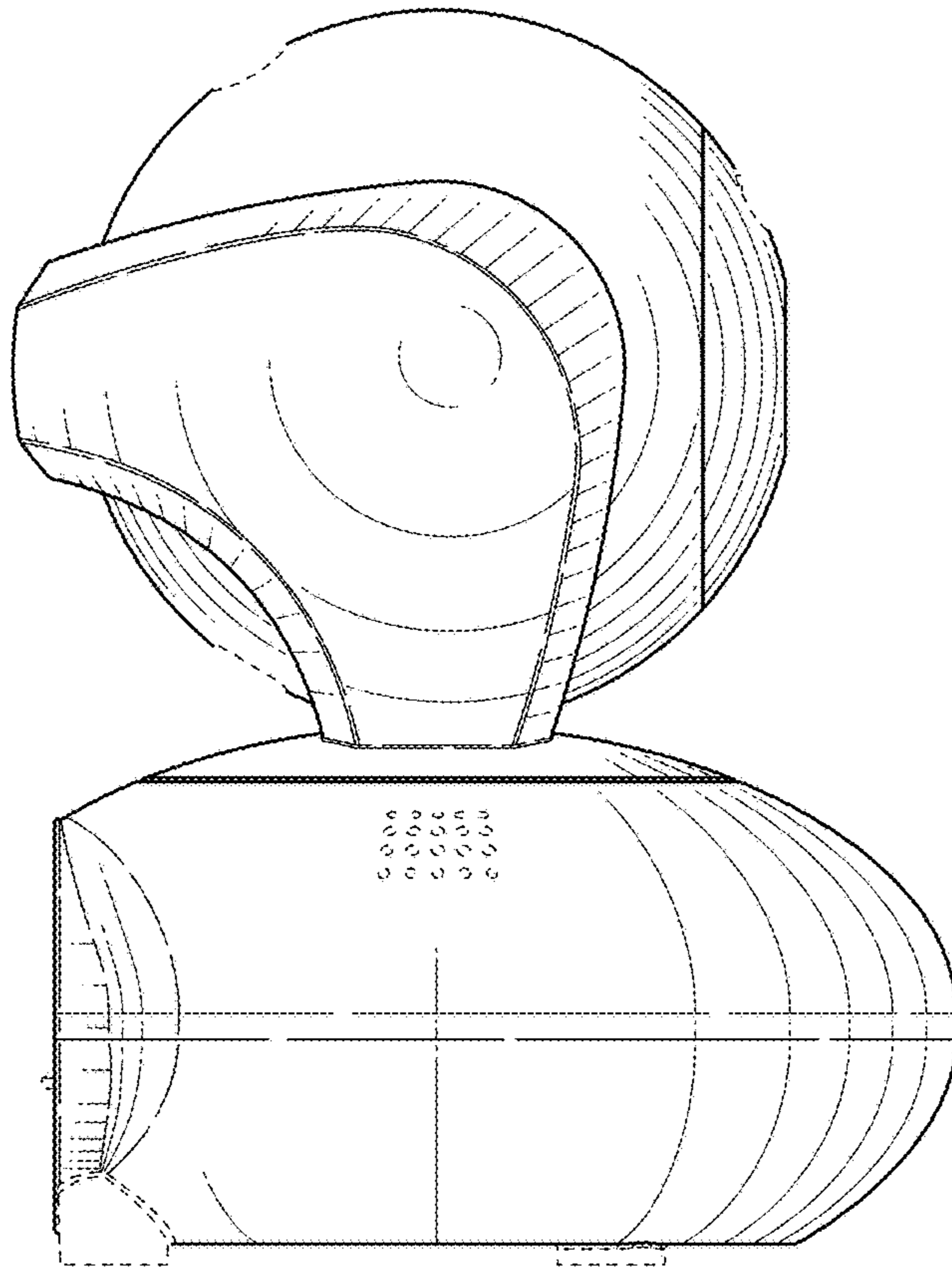


FIG. 4

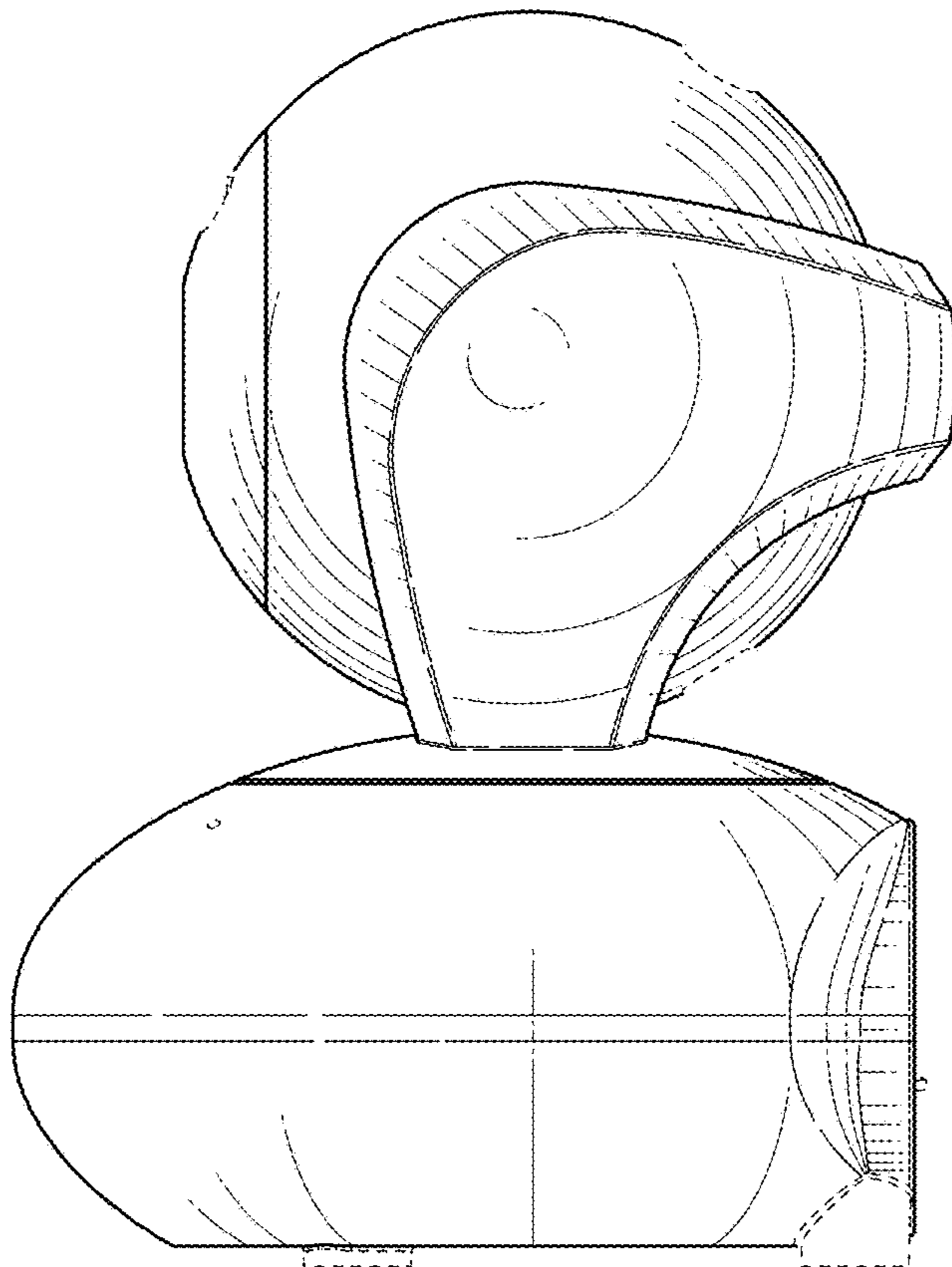


FIG. 5

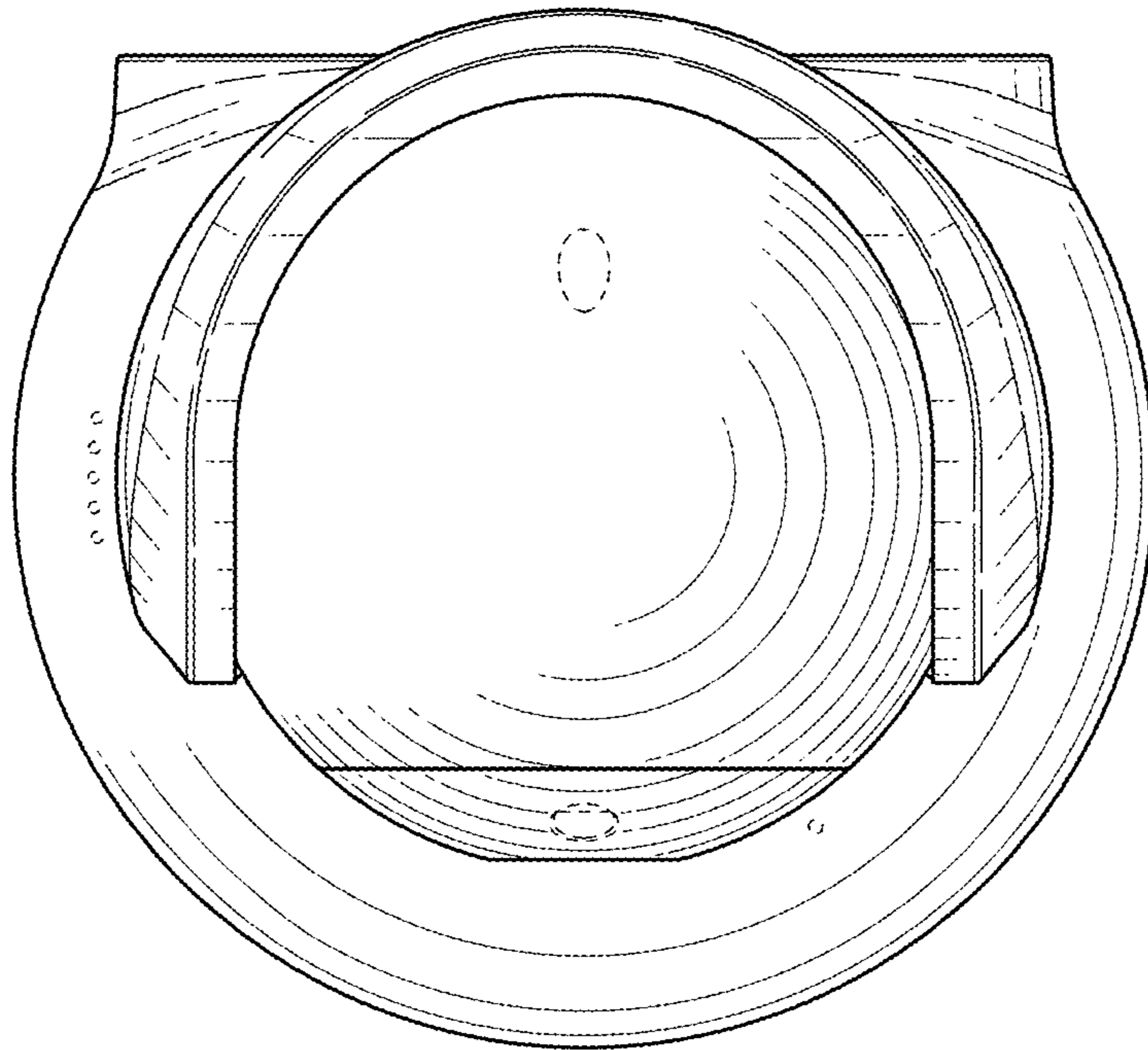


FIG. 6

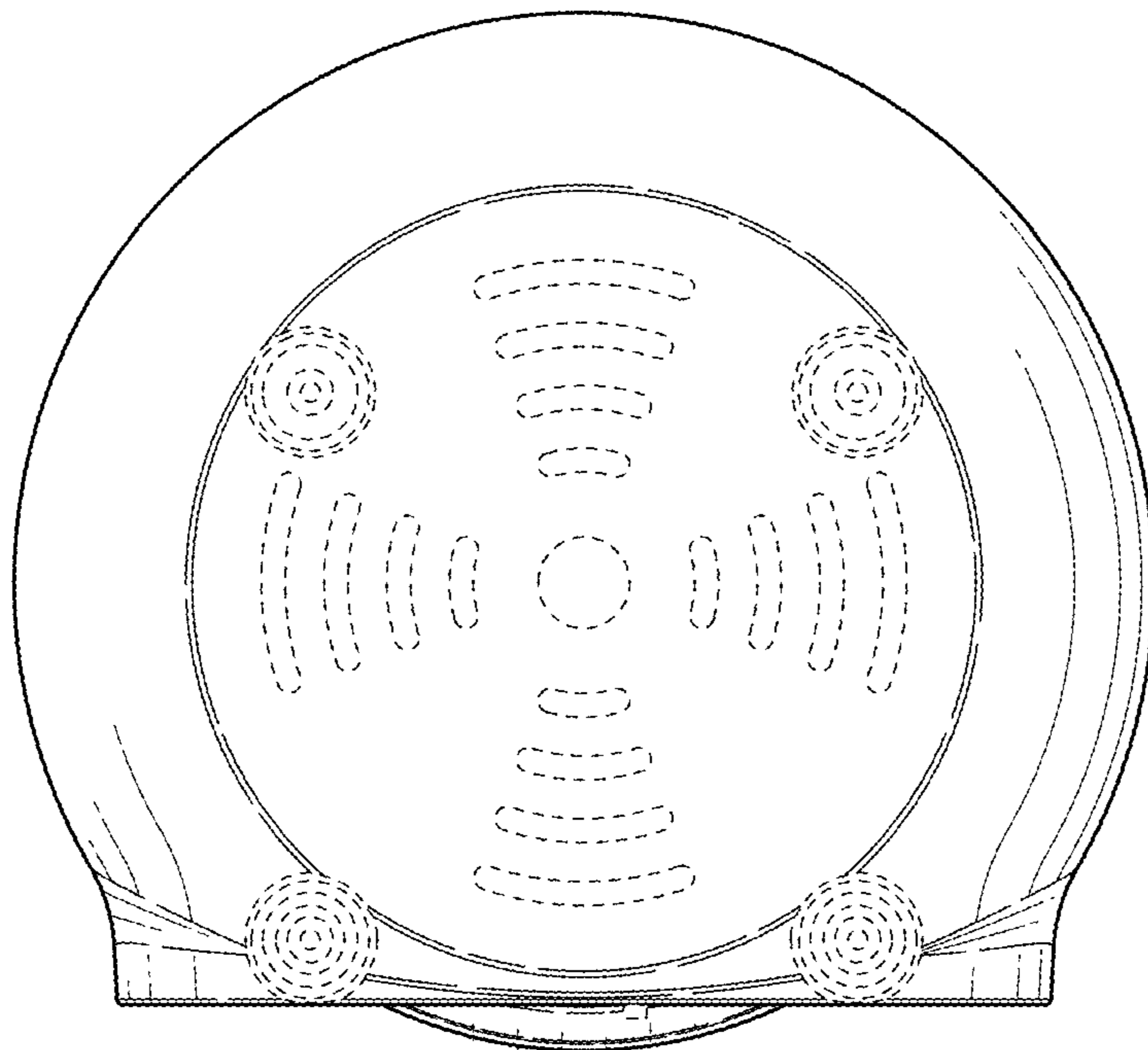


FIG. 7