

US00D866634S

(12) **United States Design Patent**
Gleason et al.

(10) **Patent No.:** **US D866,634 S**
(45) **Date of Patent:** **** Nov. 12, 2019**

(54) **CAMERA HOUSING**

(71) Applicant: **Cisco Technology, Inc.**, San Jose, CA (US)

(72) Inventors: **Peter W. Gleason**, Berkeley, CA (US); **Nicholas James Kaoru Kawamoto**, Novato, CA (US); **Nicholas Dye Abalos**, San Francisco, CA (US); **Ian Matthew Snyder**, San Francisco, CA (US); **Jennifer Ouk**, San Francisco, CA (US)

(73) Assignee: **CISCO TECHNOLOGY, INC.**, San Jose, CA (US)

(**) Term: **15 Years**

(21) Appl. No.: **29/635,044**

(22) Filed: **Jan. 26, 2018**

(51) **LOC (12) Cl.** **16-01**

(52) **U.S. Cl.**
USPC **D16/203**

(58) **Field of Classification Search**
USPC D16/200–220, 131, 237, 242, 239, 250, D16/235, 130, 134, 136, 238; D14/138 C, 240, 248, 203.1, 203.3, 203.7, D14/218; D10/104.1, 50, 65, 74, 70, D10/118.2
CPC ... G02B 7/02; G02B 7/04; G02B 7/14; G02B 3/14; G03B 17/00; G03B 17/02; G03B 17/56; G03B 17/04; G03B 17/14; G03B 15/03; G03B 9/08; H04N 5/2251; H04N
(Continued)

(56) **References Cited**

U.S. PATENT DOCUMENTS

D325,212 S * 4/1992 Elberbaum D16/219
D412,924 S * 8/1999 Hiraguchi D16/203
D414,504 S * 9/1999 Madden D16/203

(Continued)

FOREIGN PATENT DOCUMENTS

CN 301465318 * 2/2011
CN 302309136 * 1/2013

(Continued)

OTHER PUBLICATIONS

Vintage Tulip table lamp—1970s, available for sale 1970s, published 2019 [online], [retrieved Jun. 19, 2019], Available from Internet, URL: <https://www.design-mkt.com/39978-vintage-tulip-table-lamp-1970s.html>.*

(Continued)

Primary Examiner — Barbara Fox

Assistant Examiner — Mary Claire Ramirez

(74) *Attorney, Agent, or Firm* — Polsinelli PC

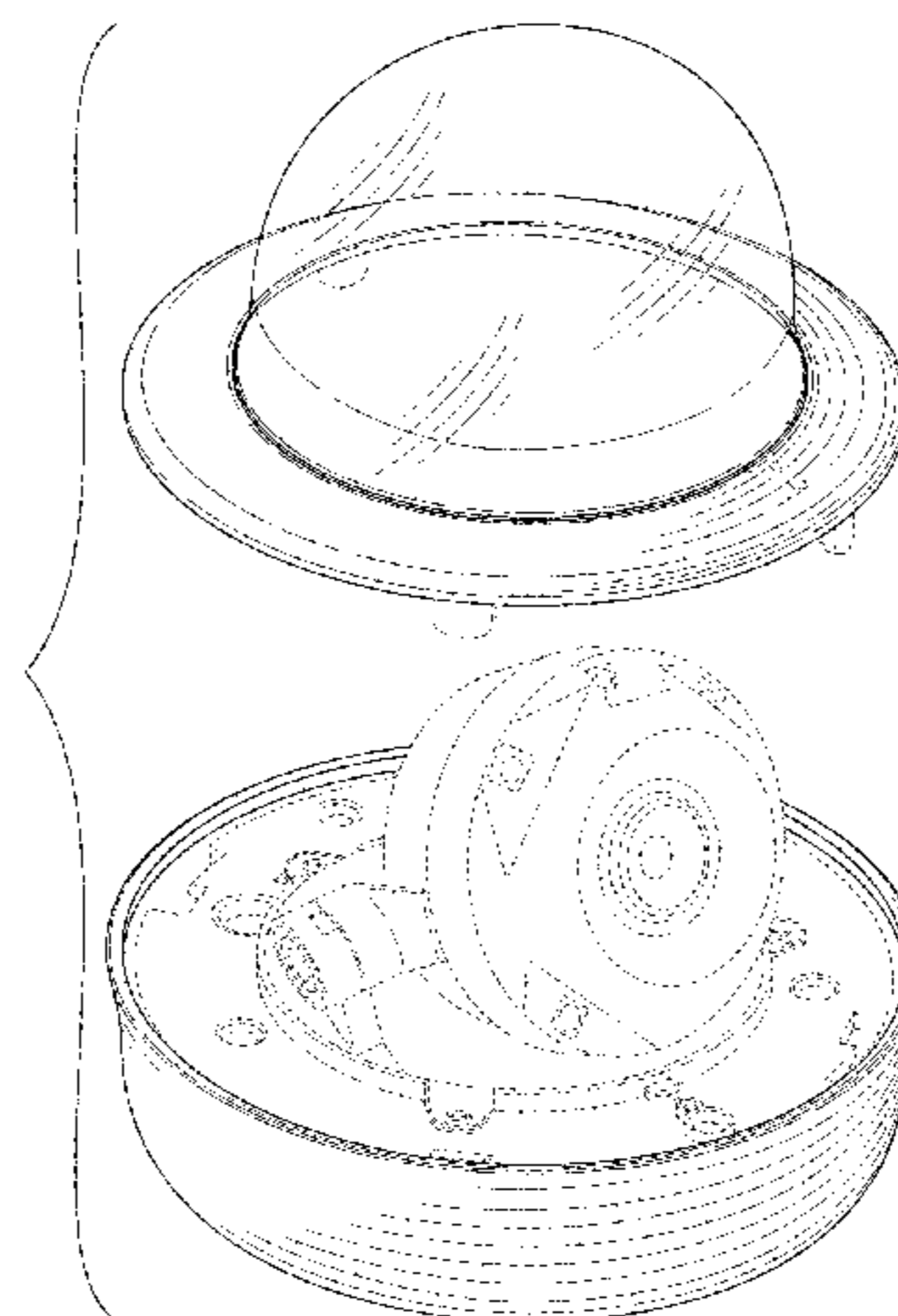
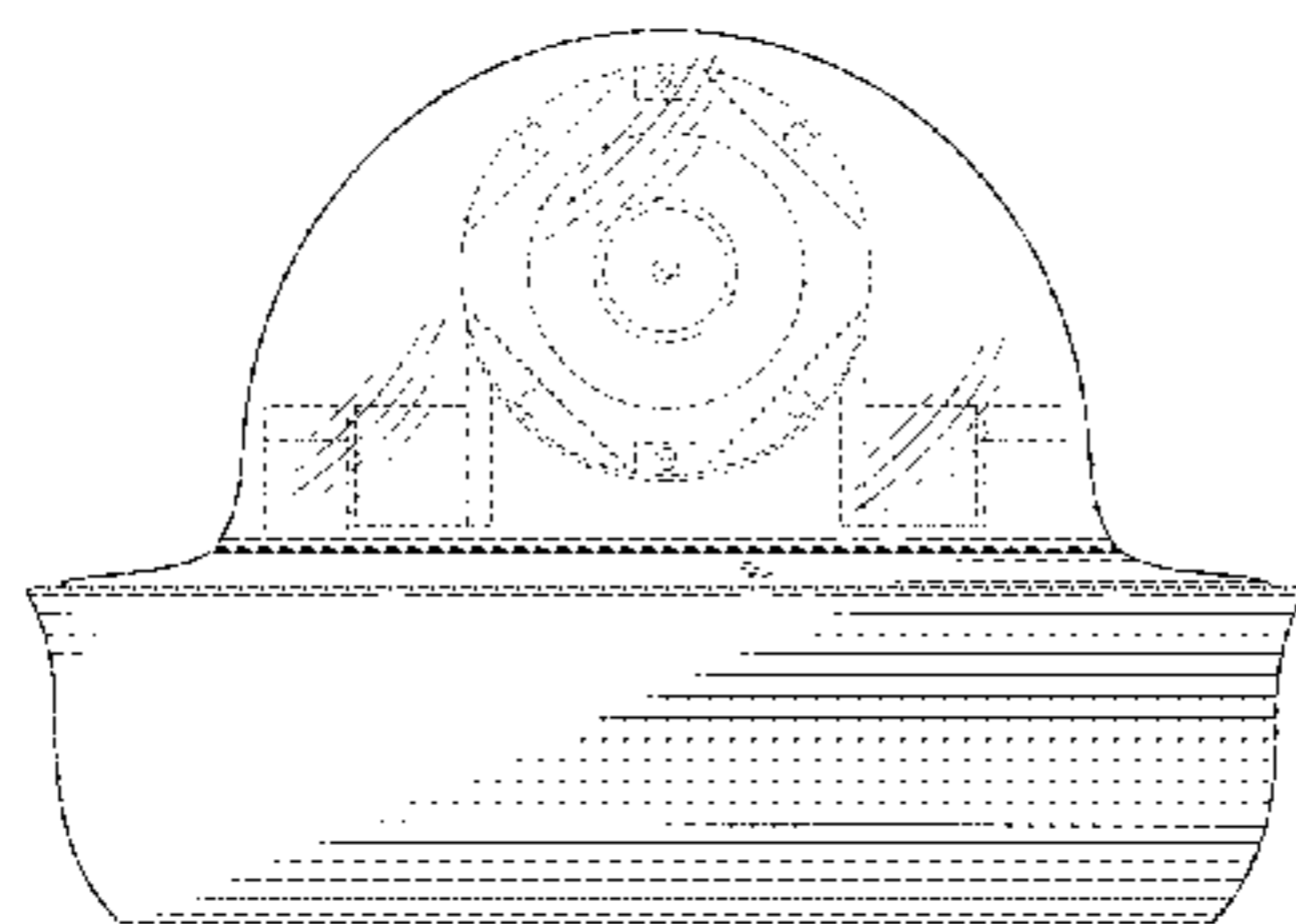
(57) **CLAIM**

We claim the ornamental design for a camera housing, as shown and described.

DESCRIPTION

FIG. 1 is a perspective view of a camera housing, showing our new design;
FIG. 2 is a front elevational view thereof;
FIG. 3 is a rear elevational view thereof;
FIG. 4 is a left side elevational view thereof;
FIG. 5 is a right side elevational view thereof;
FIG. 6 is a top plan view thereof;
FIG. 7 is a bottom plan view thereof;
FIG. 8 is an exploded, front-left perspective view thereof; and,
FIG. 9 is an exploded, rear-right perspective view thereof.
The broken lines showing a cord in FIGS. 3-7 depict environmental subject matter that forms no part of the claimed design. All other broken lines shown in the drawings depict portions of the camera housing that form no part of the claimed design.

1 Claim, 7 Drawing Sheets



(58) **Field of Classification Search**

CPC .. 5/2252; H04N 5/2253; H04N 5/2254; H04N 7/00; H04N 2101/00; F16M 13/00
See application file for complete search history.

(56) **References Cited**

U.S. PATENT DOCUMENTS

D415,509 S * 10/1999 Hiraguchi D16/203
D424,087 S * 5/2000 Frick 396/427
D497,927 S * 11/2004 Arbuckle D16/203
D547,347 S * 7/2007 Kim D16/202
D556,236 S * 11/2007 Kim D16/202
D560,244 S * 1/2008 Naruki D16/203
D561,808 S * 2/2008 Arnold D16/203
D564,557 S * 3/2008 Yamamoto D16/203
D576,196 S * 9/2008 Grotto D16/203
D581,961 S * 12/2008 Shioya D16/203
D584,756 S * 1/2009 Yamakawa D16/203
D594,048 S * 6/2009 Yamakawa D16/203
D615,115 S * 5/2010 Arnold D16/203
D628,225 S * 11/2010 Deurwaarder D16/203
D636,805 S * 4/2011 Anneback D16/203
D644,677 S * 9/2011 Park D16/203
D668,701 S * 10/2012 Ohno D16/203
D676,478 S * 2/2013 Uehara D16/203
D690,345 S * 9/2013 Seo D16/203
D701,258 S * 3/2014 Huang D16/203
D702,275 S * 4/2014 Ying D16/203
D719,600 S * 12/2014 Katori D16/203
D719,994 S * 12/2014 Wang D16/203
D742,447 S * 11/2015 Stark D16/203
D753,752 S * 4/2016 Ahman D16/203
D753,753 S * 4/2016 Moon D16/203
9,451,133 B2 * 9/2016 Stark F16M 13/02
D782,557 S * 3/2017 Ahman D16/203
D791,851 S * 7/2017 Zhang D16/203

D798,934 S * 10/2017 Wu D16/203
D815,173 S * 4/2018 Hikima D16/203
D825,638 S * 8/2018 Holbrook D16/203
D841,716 S * 2/2019 Teachworth D16/203
D849,114 S * 5/2019 Jeong D16/219
2007/0274706 A1 * 11/2007 Cheng G03B 17/00
396/427
2008/0024604 A1 * 1/2008 Menegotto G08B 13/19619
348/143
2010/0060731 A1 * 3/2010 Lin G08B 13/19619
348/143
2010/0141760 A1 * 6/2010 Cheng G08B 13/1963
348/143
2012/0281083 A1 * 11/2012 Chivers G03B 17/02
348/81
2013/0287385 A1 * 10/2013 Andersson H04N 5/2252
396/427
2015/0326759 A1 * 11/2015 Mukai G03B 17/02
348/374
2018/0241915 A1 * 8/2018 Guan H04N 5/225

FOREIGN PATENT DOCUMENTS

CN 302435995 * 5/2013
CN 303217885 * 5/2015
CN 303542873 * 1/2016
CN 304314626 * 10/2017
EM 000665039-0002 * 2/2007
EM 000665039-0003 * 2/2007

OTHER PUBLICATIONS

Prune_Plum Burl Wood Bowl, published Aug. 21, 2007 [online], [retrieved Jun. 19, 2019], Available from Internet, URL: <https://www.penturners.org/threads/prune-plum-burl-wood-bowl.31482/>.*

* cited by examiner

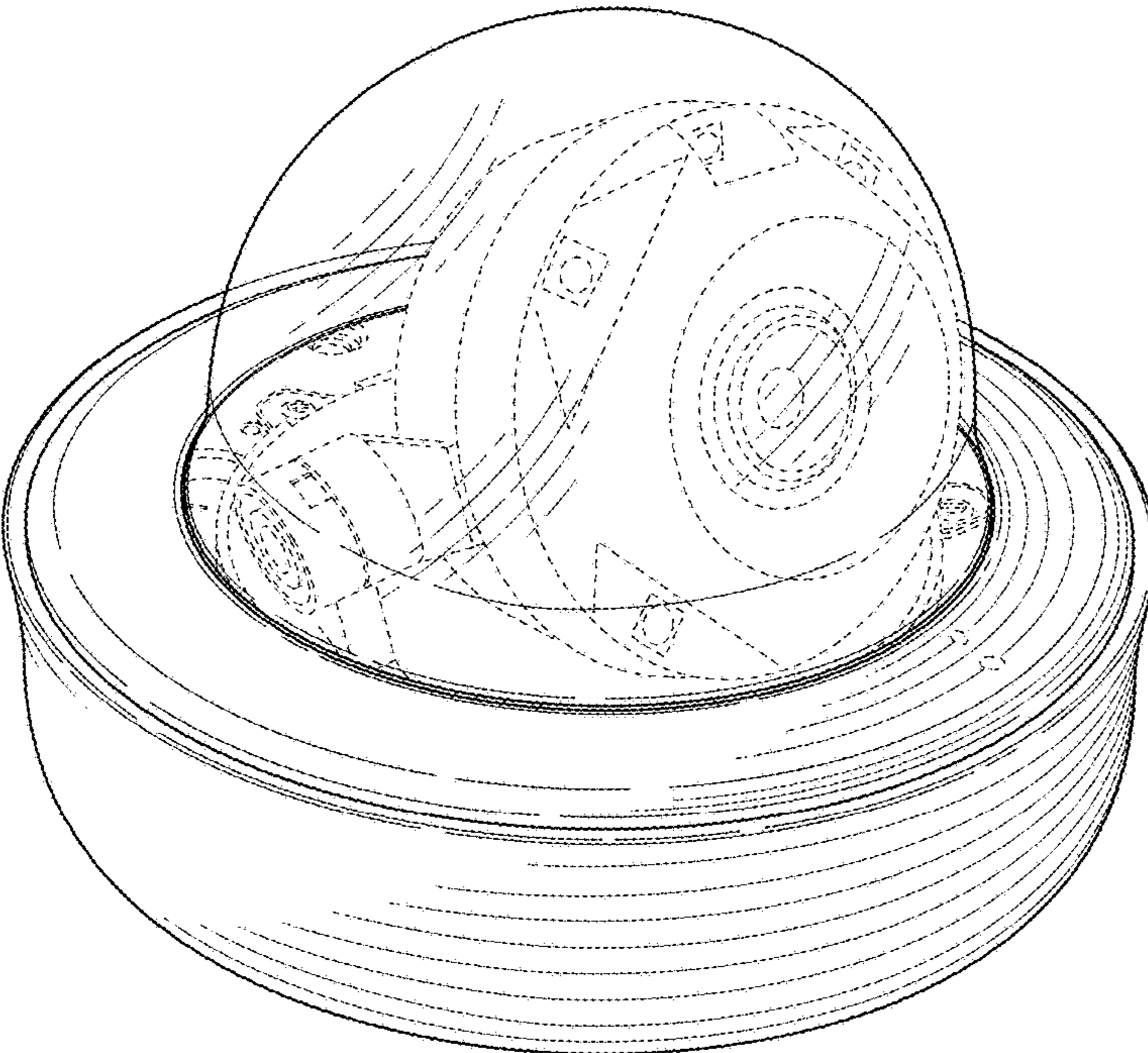


FIG. 1

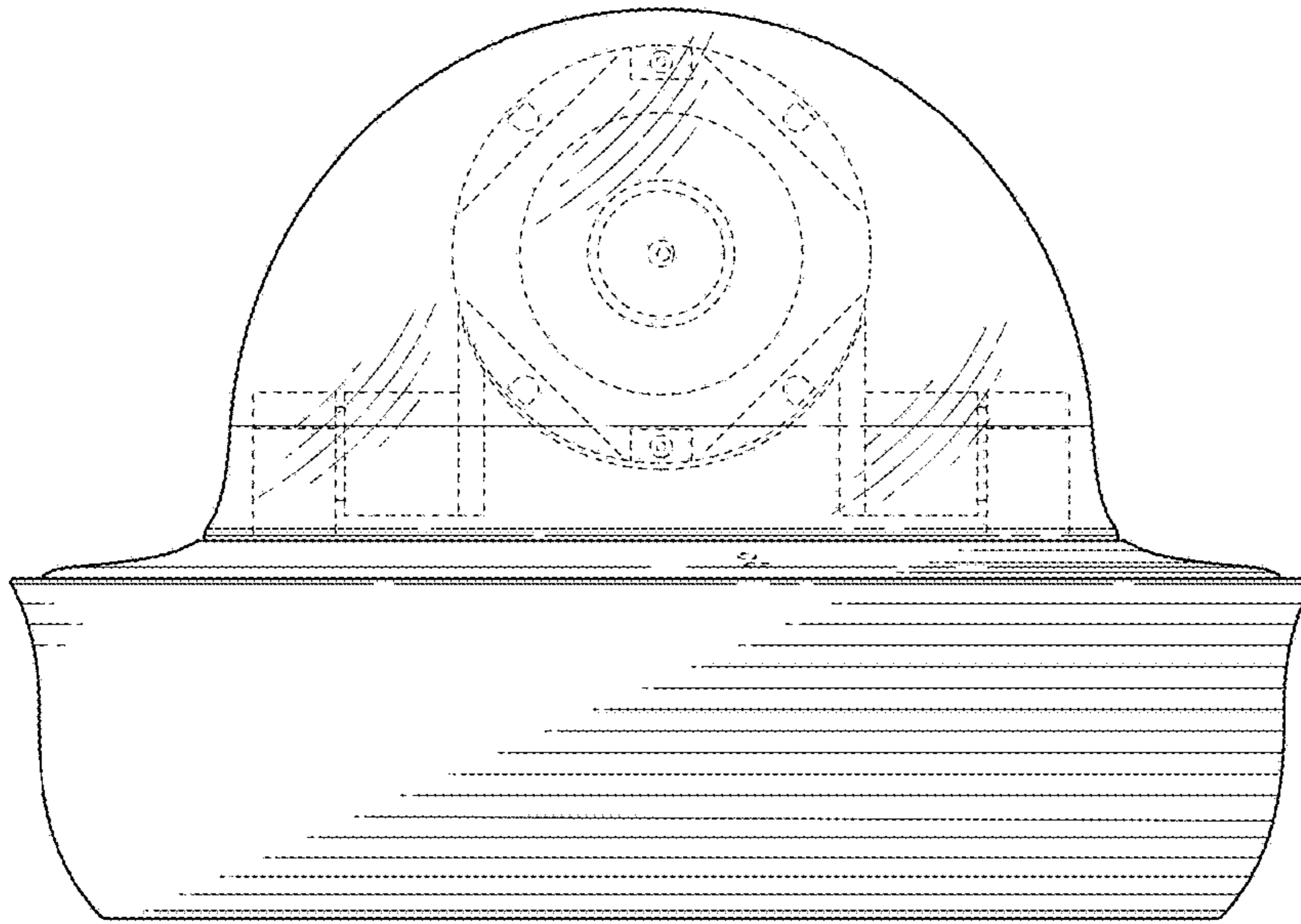


FIG. 2

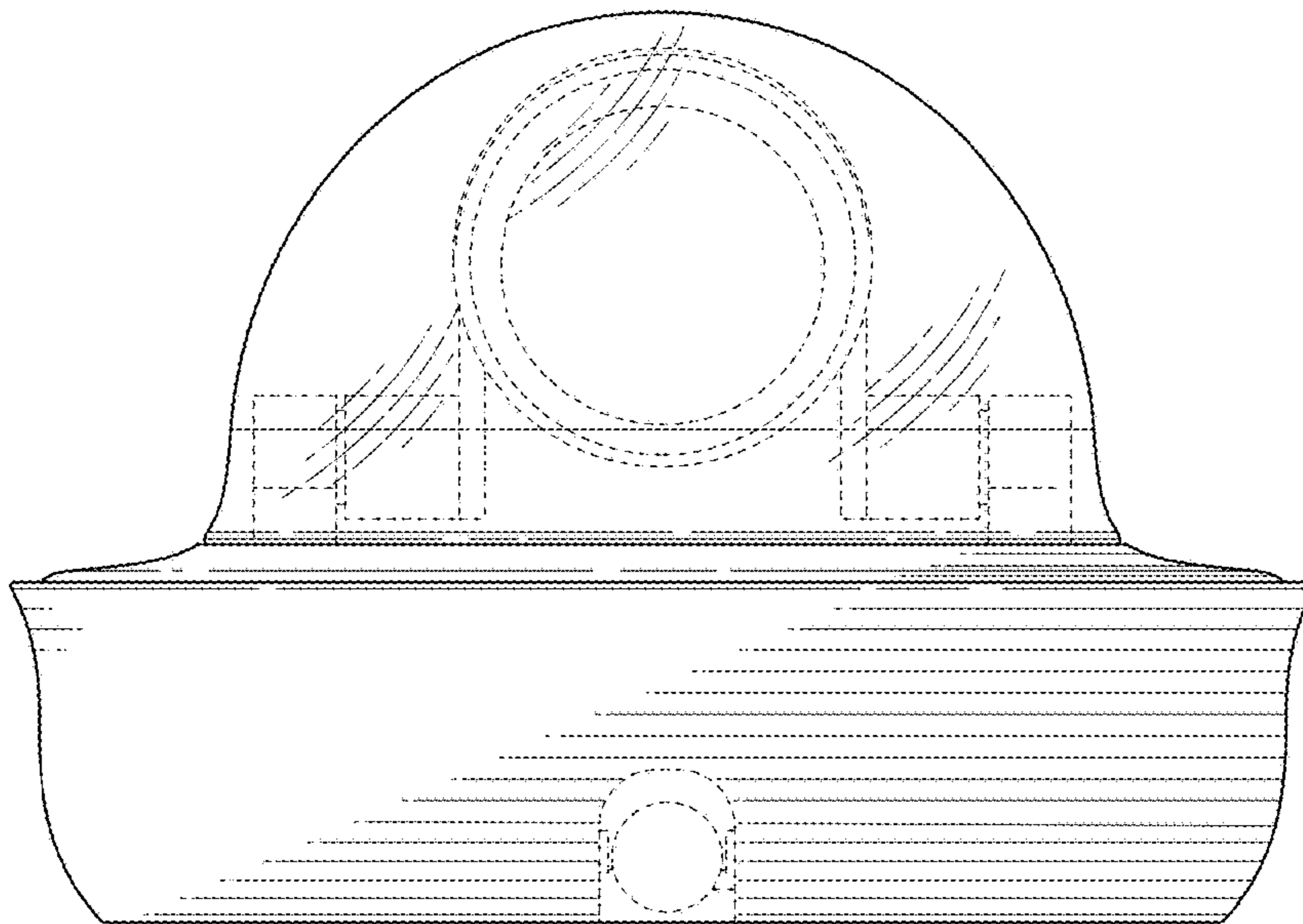


FIG. 3

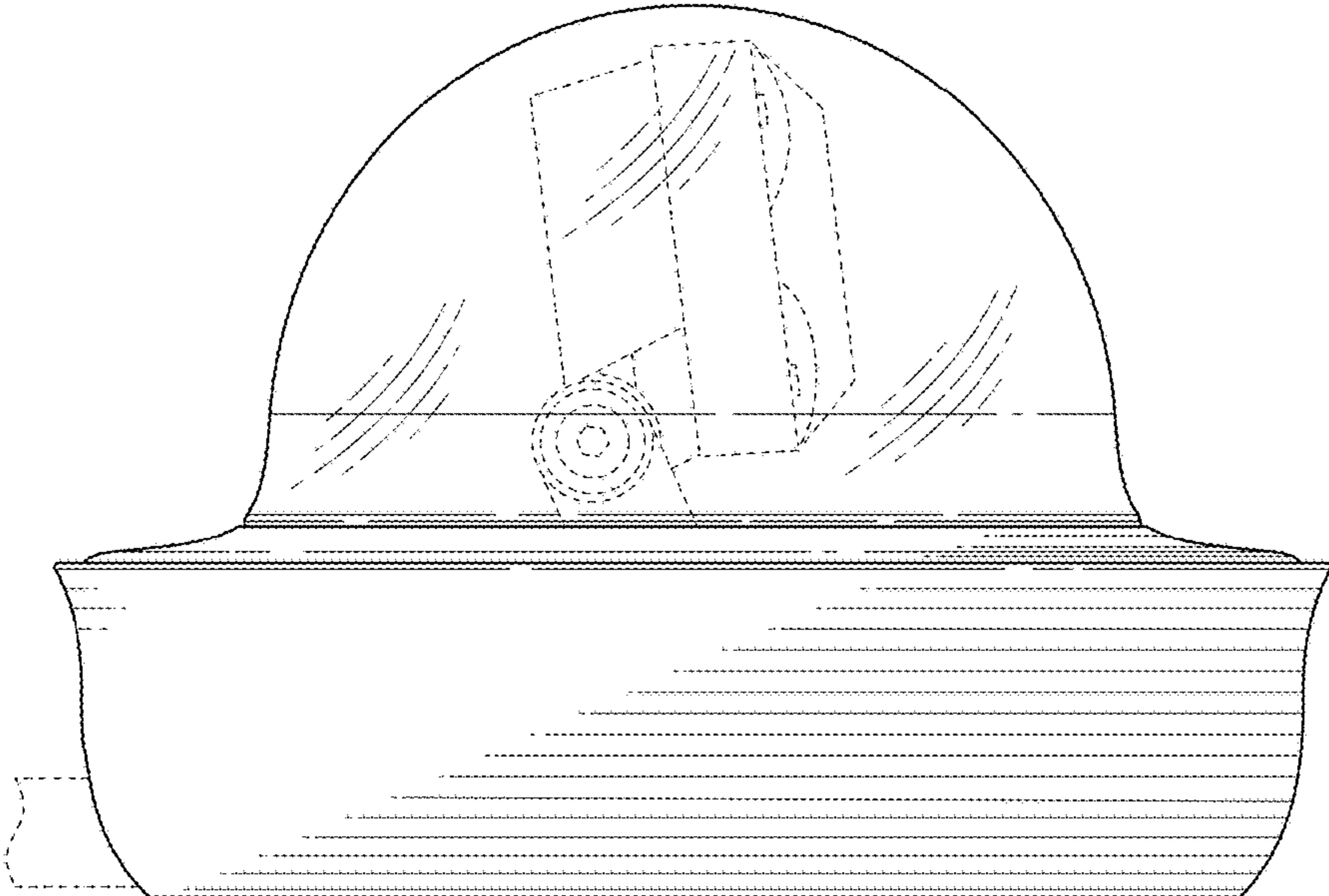


FIG. 4

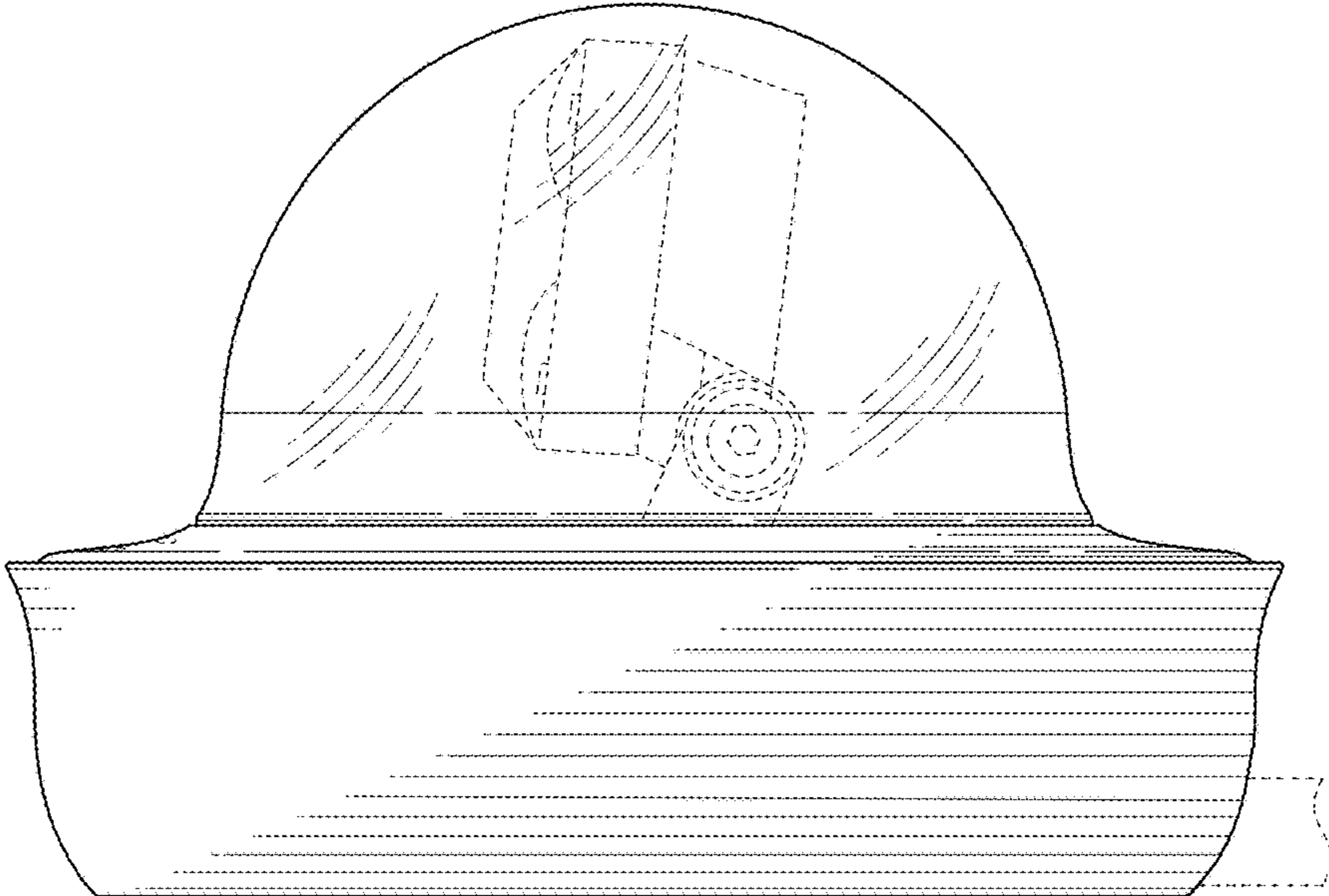


FIG. 5

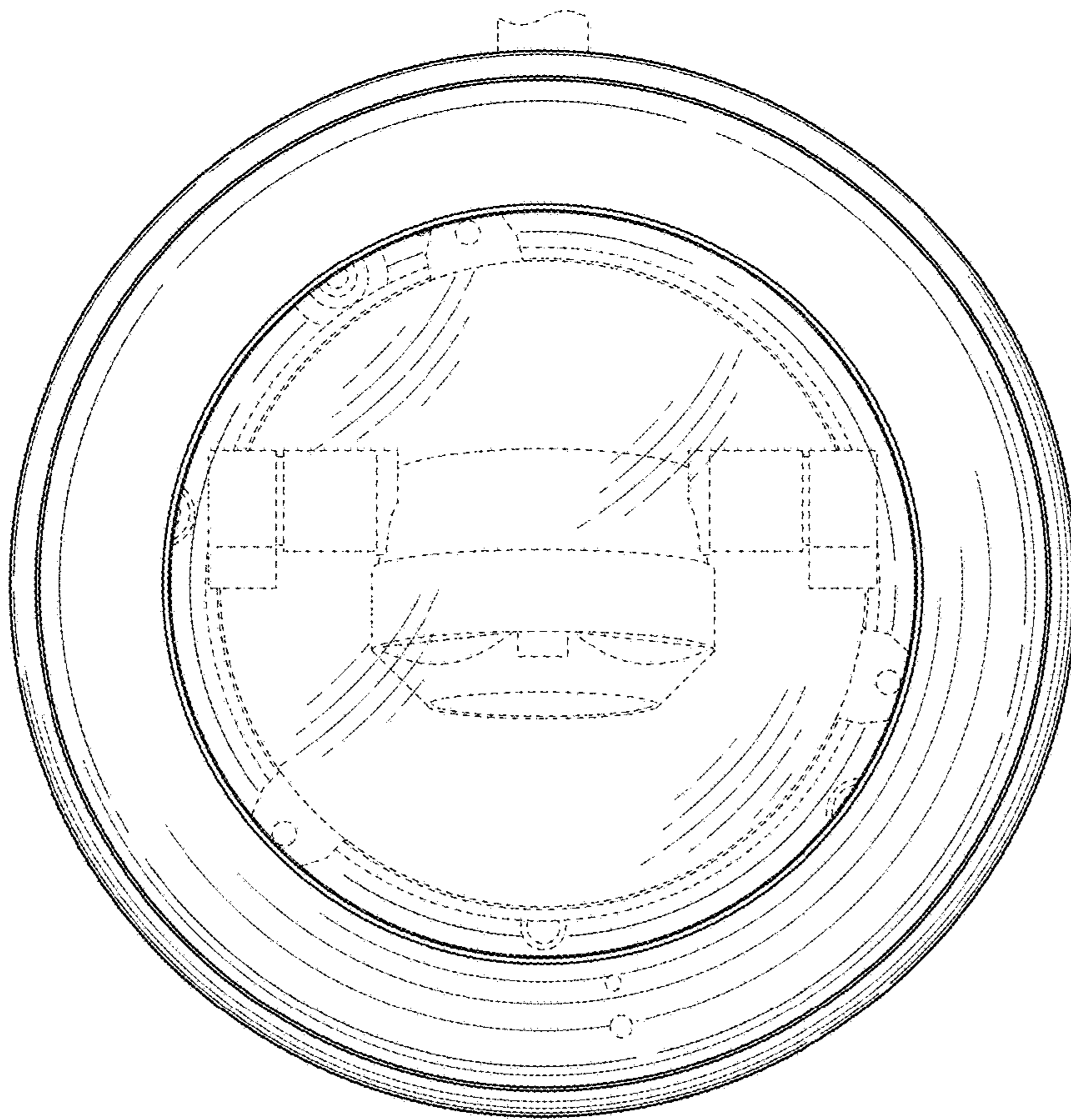


FIG. 6

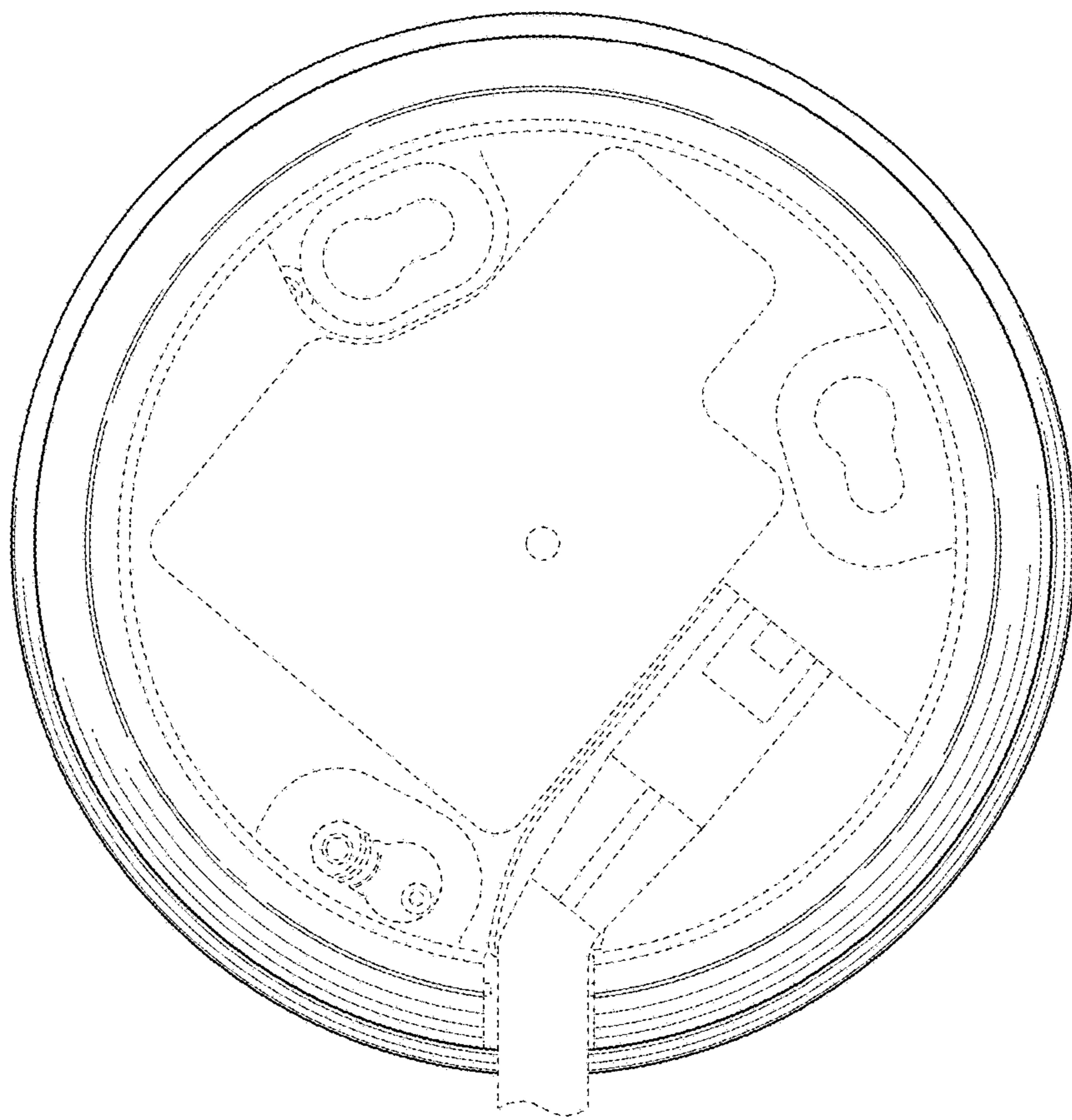


FIG. 7

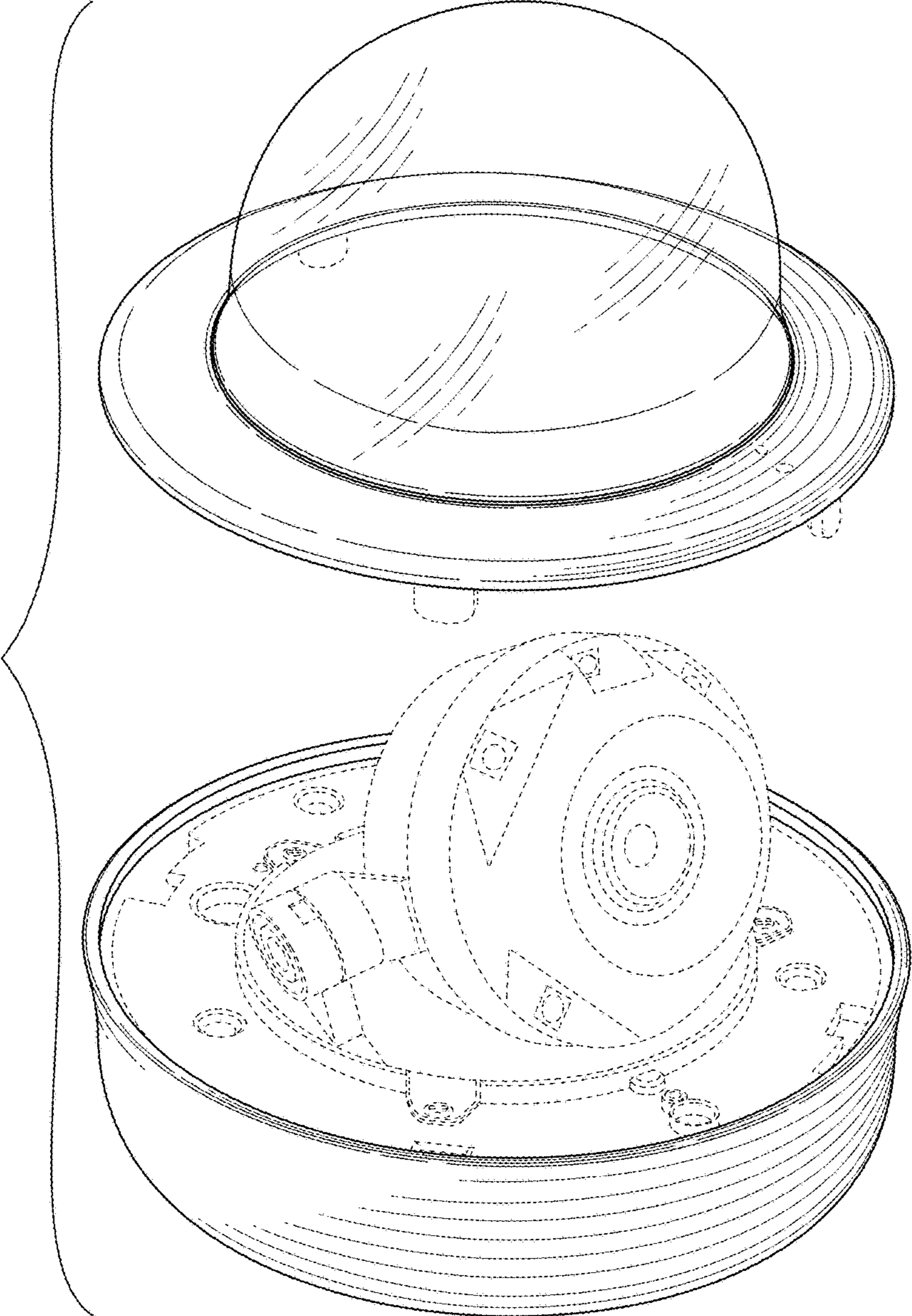


FIG. 8

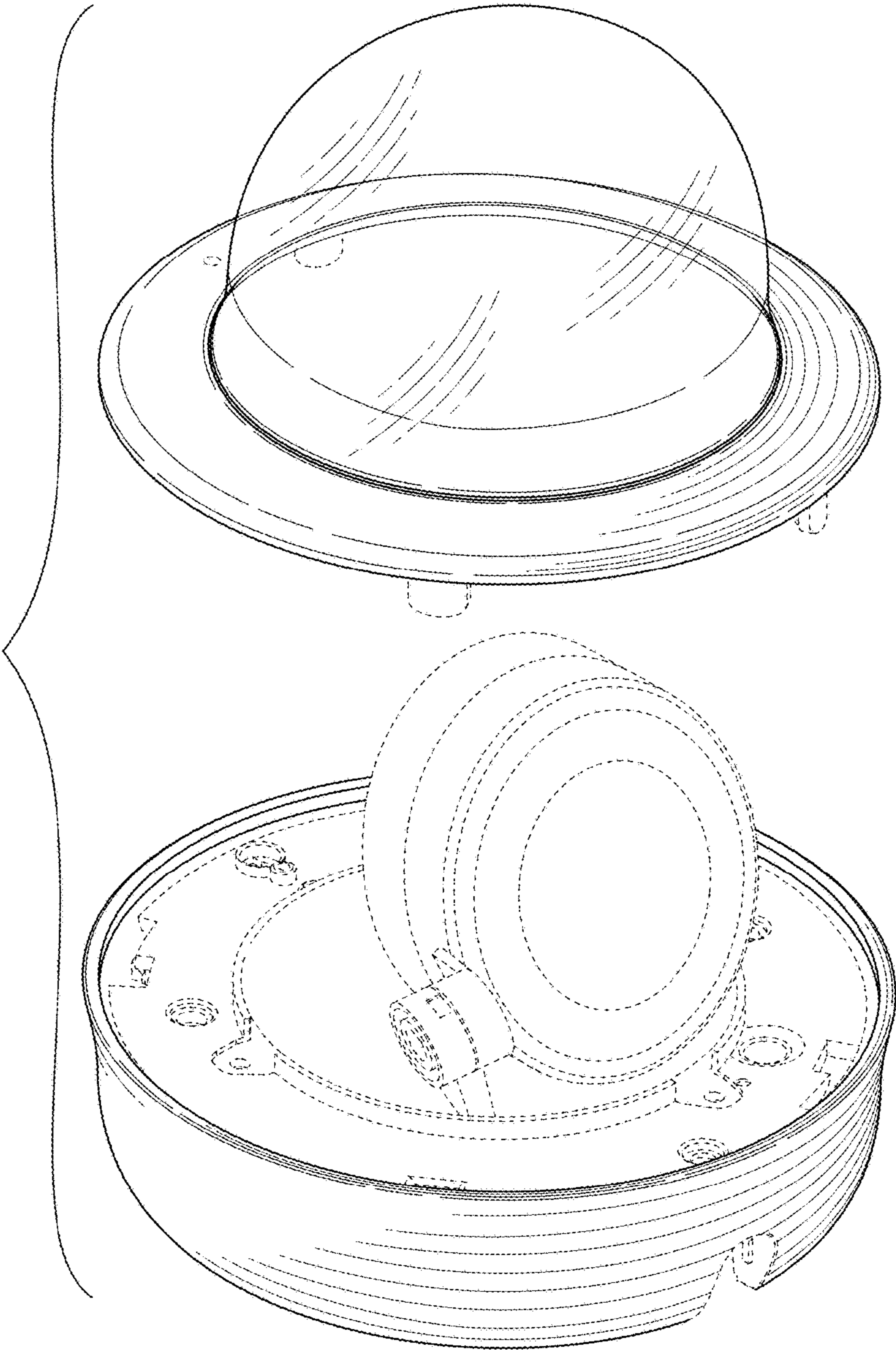


FIG. 9