

US00D86629S

(12) **United States Design Patent** (10) **Patent No.:** **US D866,629 S**  
**Chen et al.** (45) **Date of Patent:** **\*\* Nov. 12, 2019**

(54) <b>MICROSCOPE</b>	D668,699 S	10/2012	Au et al.	
	D681,089 S	4/2013	Au et al.	
(71) Applicant: <b>Laxco Incorporated</b> , Bothell, WA (US)	D690,342 S *	9/2013	Funakoshi	D16/131
	D693,866 S	11/2013	Au et al.	
(72) Inventors: <b>Congliang Chen</b> , Bothell, WA (US); <b>Kevin Cassady</b> , Monroe, WA (US)	D771,169 S	11/2016	Weber	
	D780,819 S	3/2017	Watanabe et al.	
(73) Assignee: <b>LAXCO INCORPORATED</b> , Bothell, WA (US)	D812,665 S *	3/2018	Klein	D16/131
	D843,429 S *	3/2019	Cramb	D16/131
	D849,816 S *	5/2019	Klein	D16/131
	2011/0075255 A1 *	3/2011	Kennedy	G02B 21/0076 359/385

(\*\*) Term: **15 Years**

(21) Appl. No.: **29/675,466**

(22) Filed: **Jan. 2, 2019**

**Related U.S. Application Data**

(62) Division of application No. 29/567,409, filed on Jun. 8, 2016.

(51) **LOC (12) Cl.** ..... **16-06**

(52) **U.S. Cl.**  
USPC ..... **D16/131**

(58) **Field of Classification Search**  
USPC ..... D16/130–136, 200, 202, 203, 218, 219;  
D22/100, 108, 109, 110, 199  
CPC ..... F41G 3/08; G02B 21/004; G02B 21/008  
See application file for complete search history.

(56) **References Cited**

**U.S. PATENT DOCUMENTS**

D354,761 S *	1/1995	Komatsuzaki	D16/131
D356,552 S	3/1995	Maeno et al.	
D359,059 S	6/1995	Omi	
5,694,242 A	12/1997	Omi	
D392,303 S	3/1998	Hern	
D465,799 S *	11/2002	Asaka	D16/131
D476,020 S	6/2003	Chih	
6,741,391 B1	5/2004	Ishihara et al.	
6,791,600 B1	9/2004	Chan	
D516,595 S	3/2006	Apotheloz et al.	
D657,407 S	4/2012	Okamoto et al.	

**OTHER PUBLICATIONS**

Canadian Office Action dated Mar. 14, 2017 for Canadian design application No. 171974, a counerpart foreign application of design U.S. Appl. No. 29/567,409, 30 pages.

\* cited by examiner

*Primary Examiner* — Mark A Goodwin  
*Assistant Examiner* — Benjamin M Weeks  
 (74) *Attorney, Agent, or Firm* — Lee & Hayes, P.C.

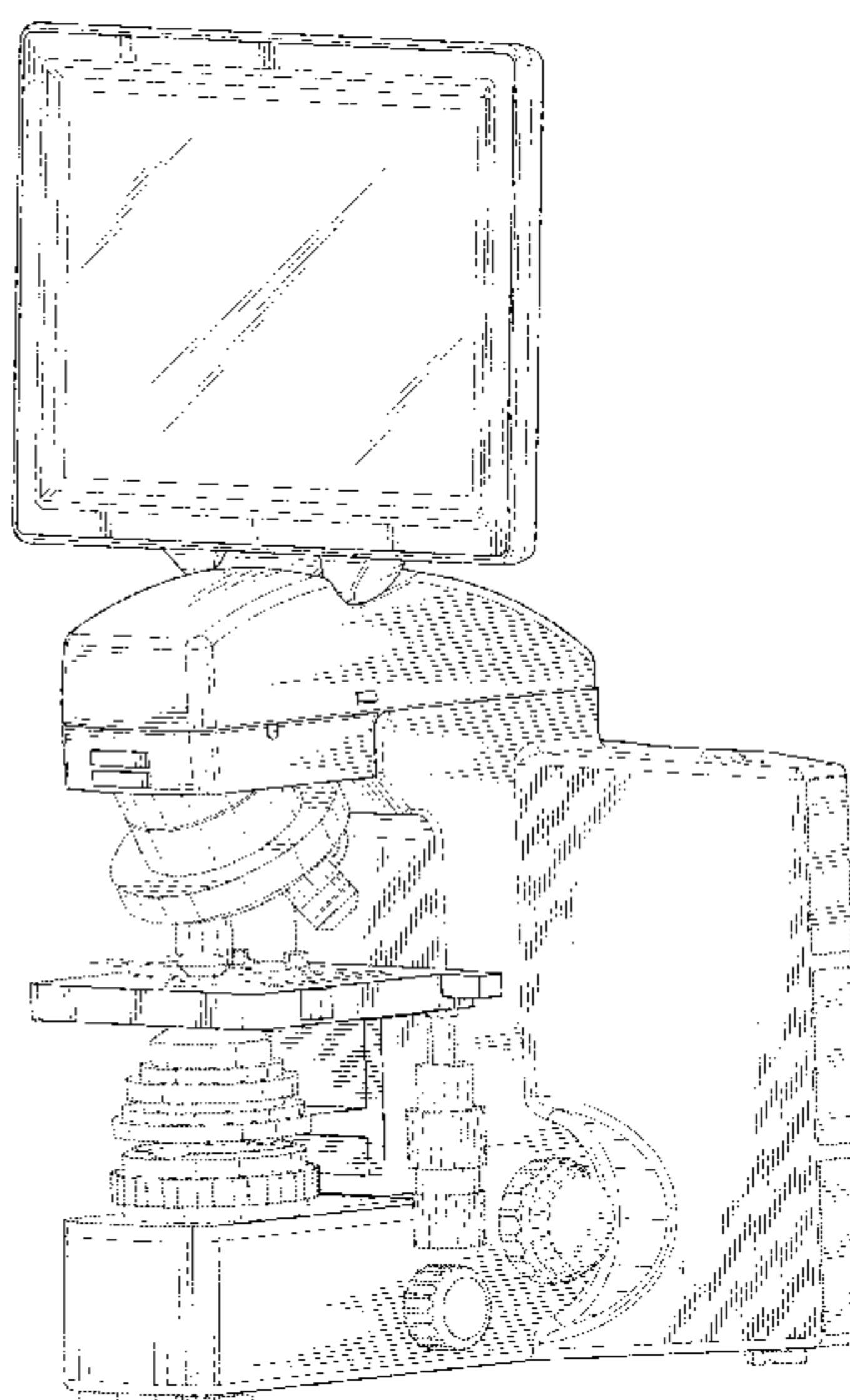
(57) **CLAIM**

The ornamental design for a microscope, as shown and described.

**DESCRIPTION**

FIG. 1 is a front perspective view of a microscope, showing our new design;  
 FIG. 2 is a front elevation view thereof;  
 FIG. 3 is a right elevation view thereof;  
 FIG. 4 is a back elevation view thereof;  
 FIG. 5 is a left elevation view thereof;  
 FIG. 6 is a top plan view thereof; and,  
 FIG. 7 is a bottom plan view thereof.  
 The broken lines in the figures depict portions of the microscope that form no part of the claimed design.

**1 Claim, 7 Drawing Sheets**



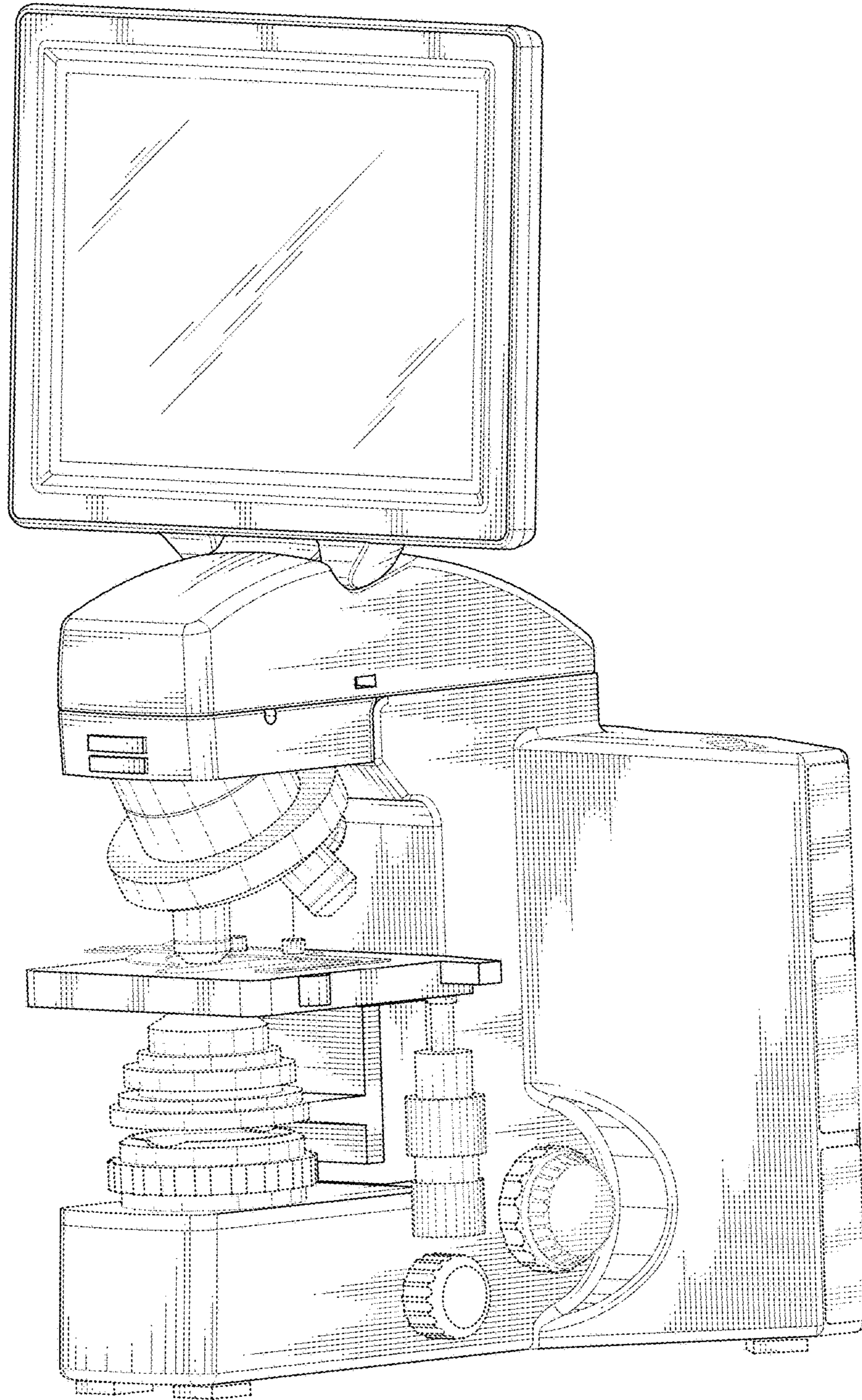


FIG. 1



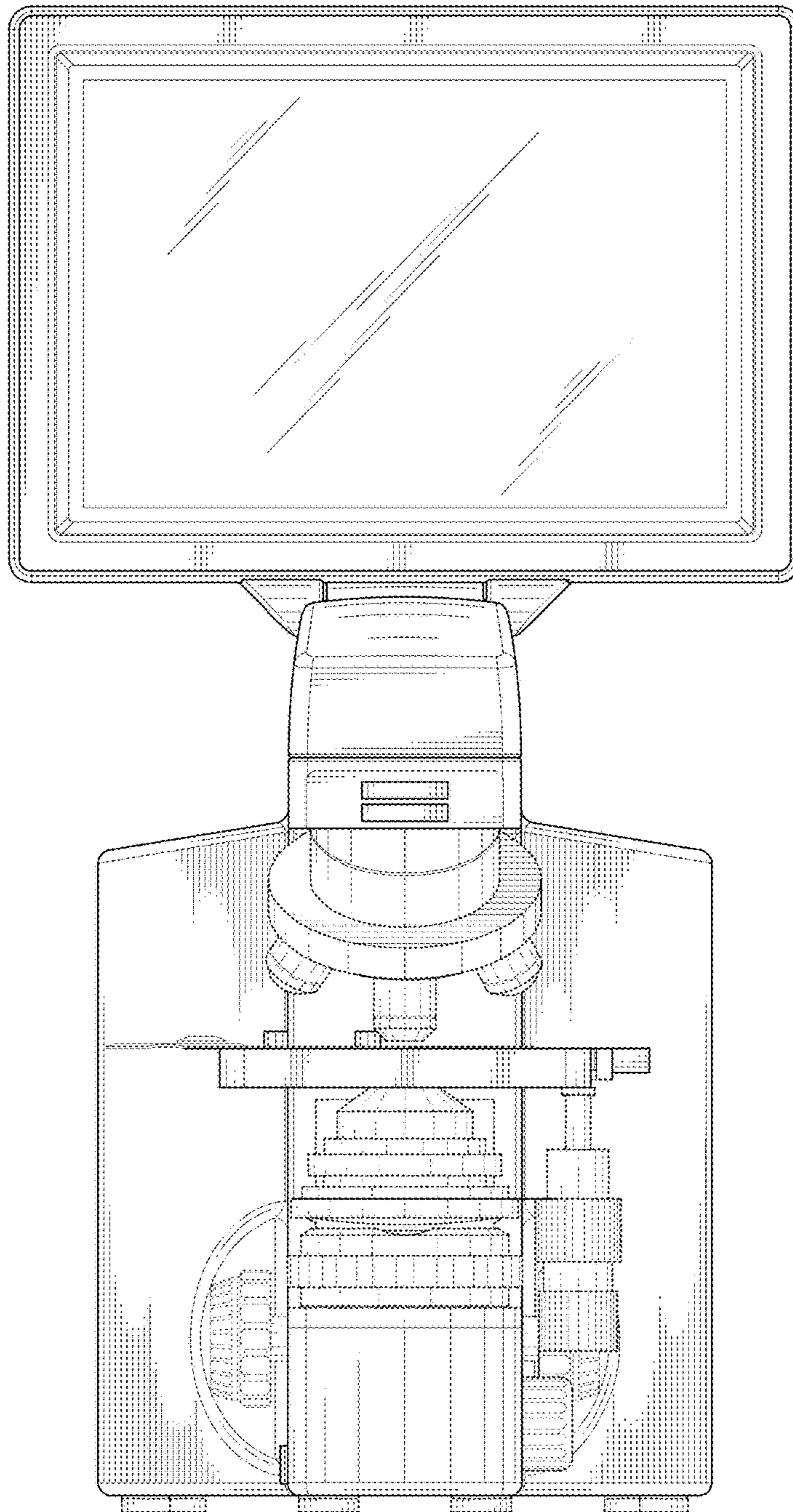


FIG. 2

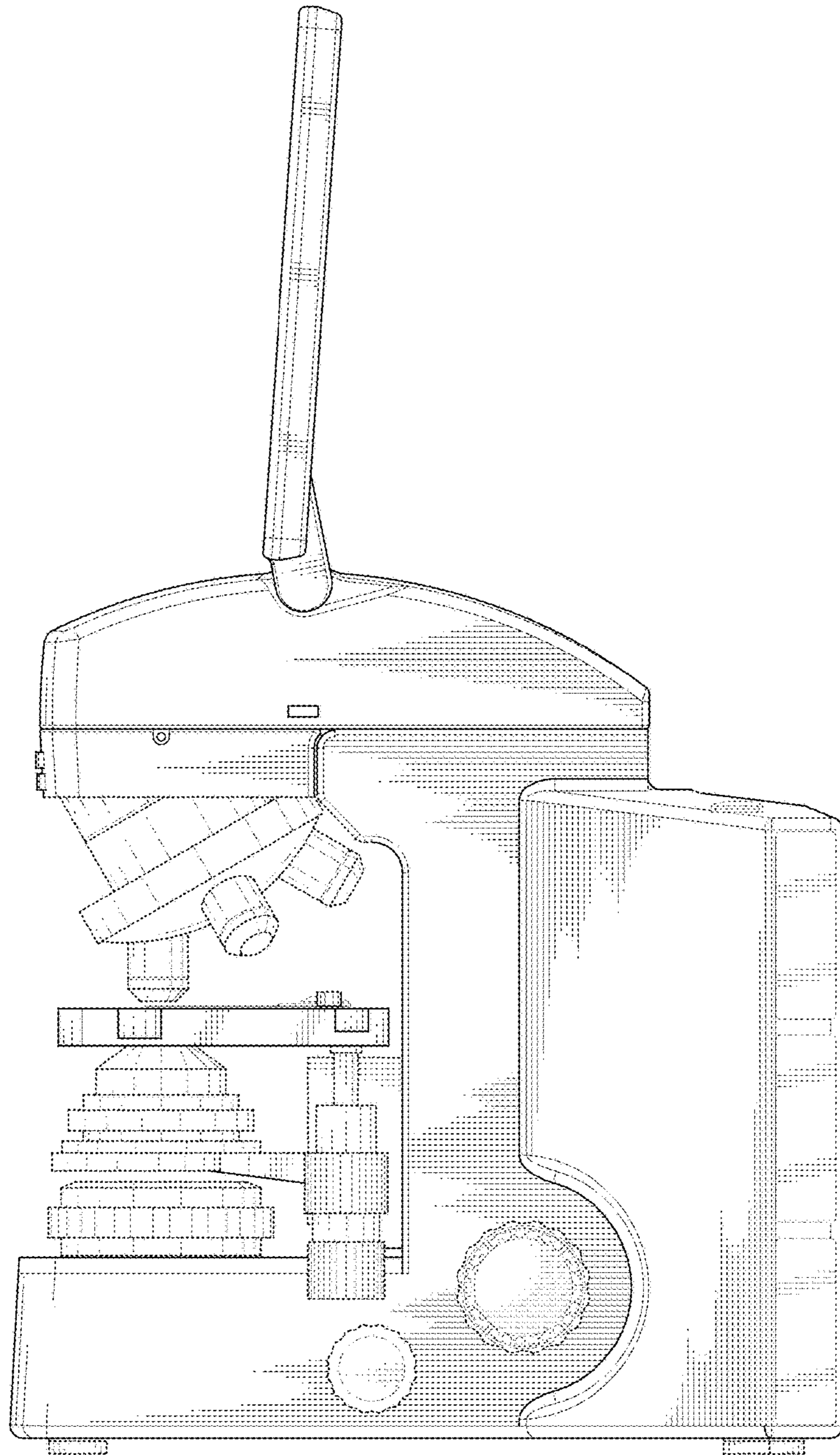


FIG. 3

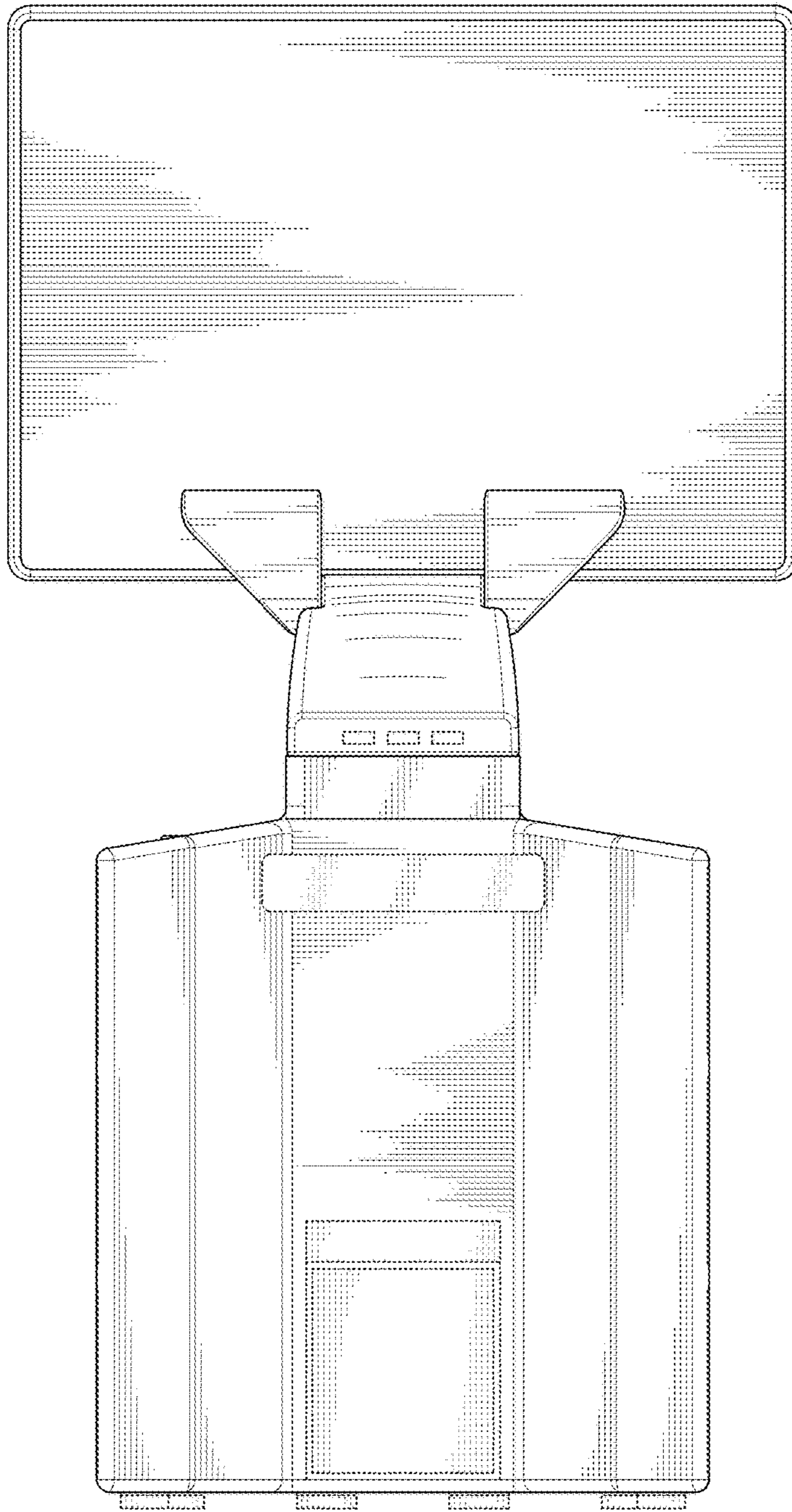


FIG. 4

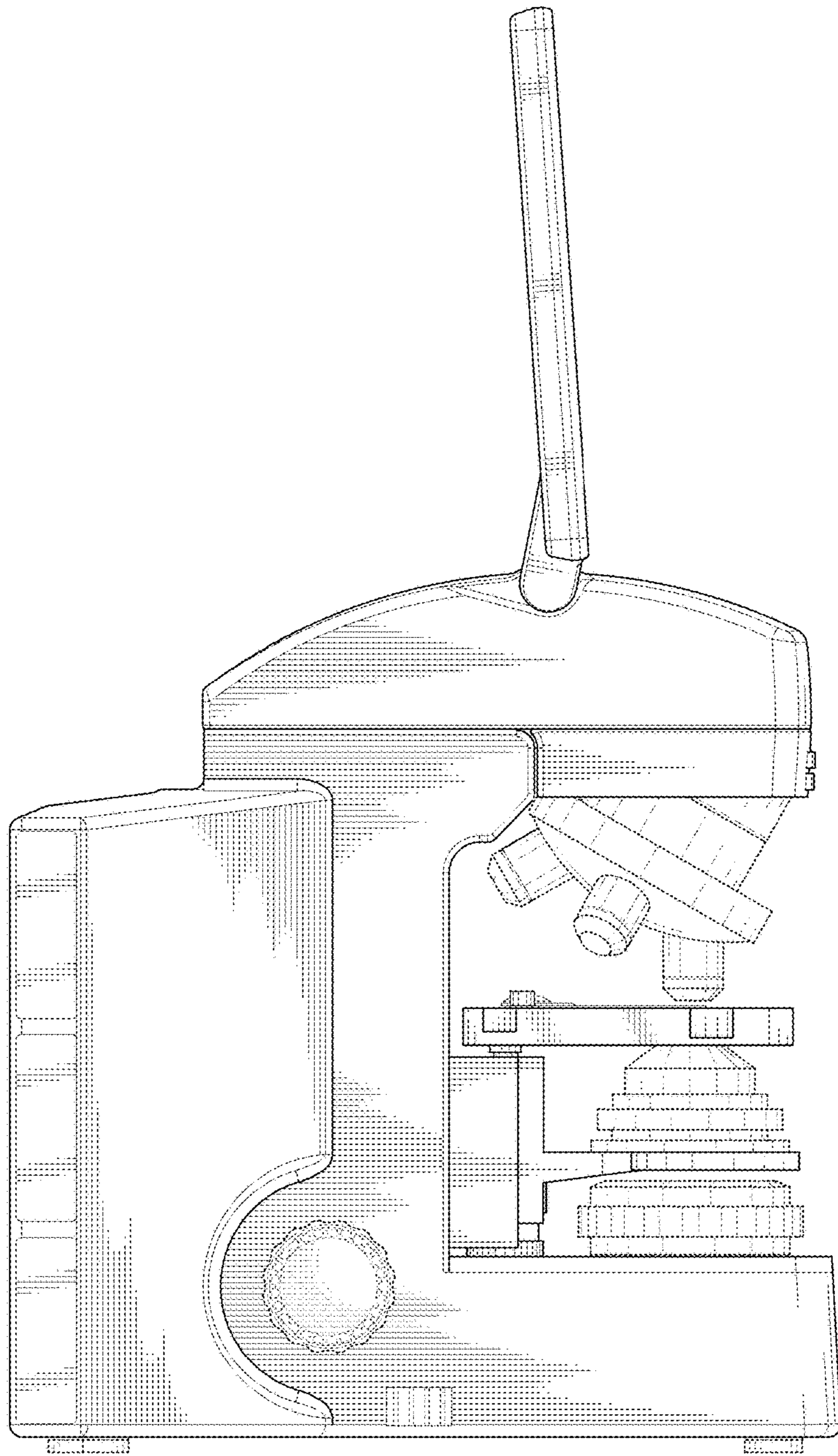


FIG. 5



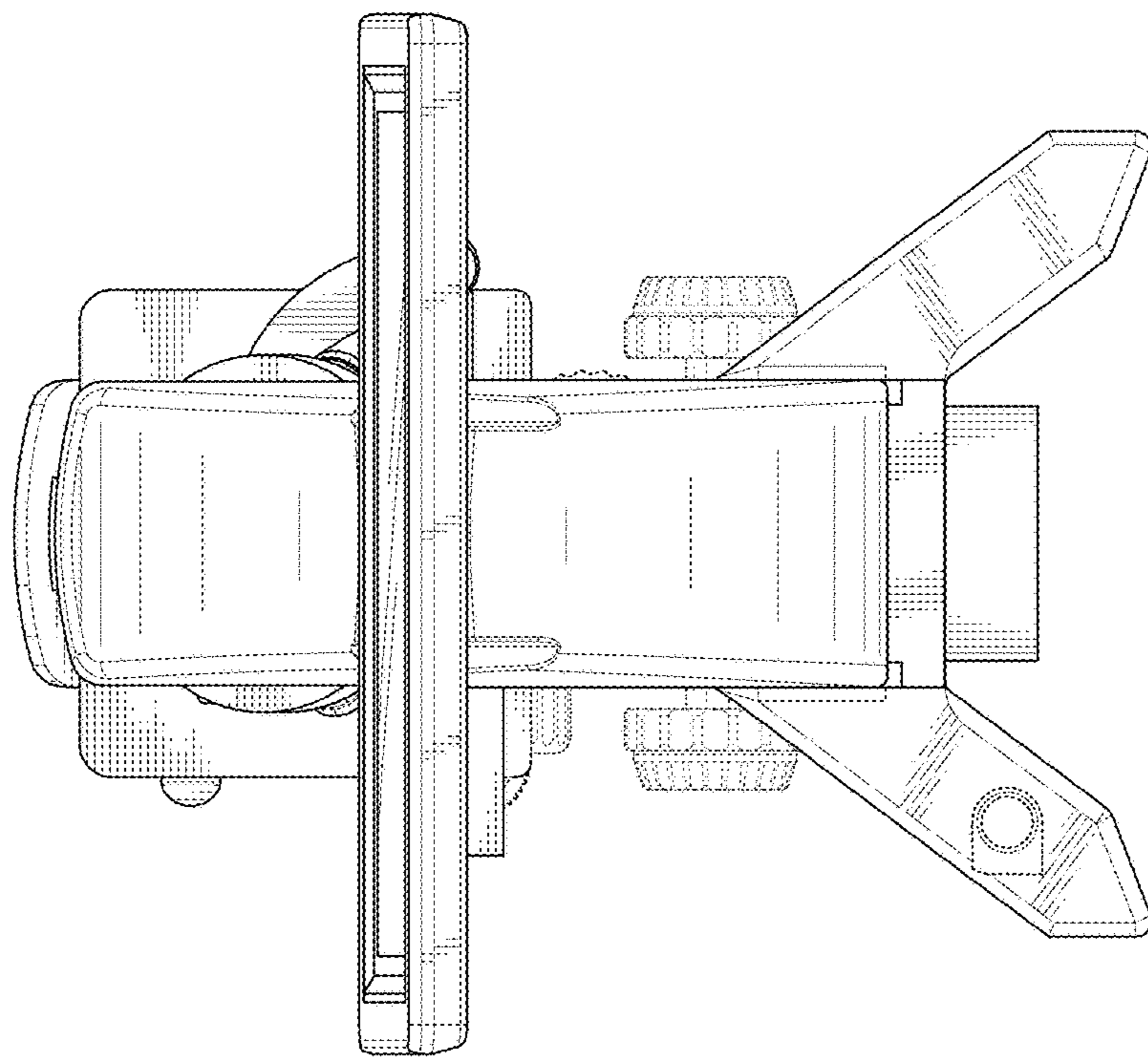


FIG. 6

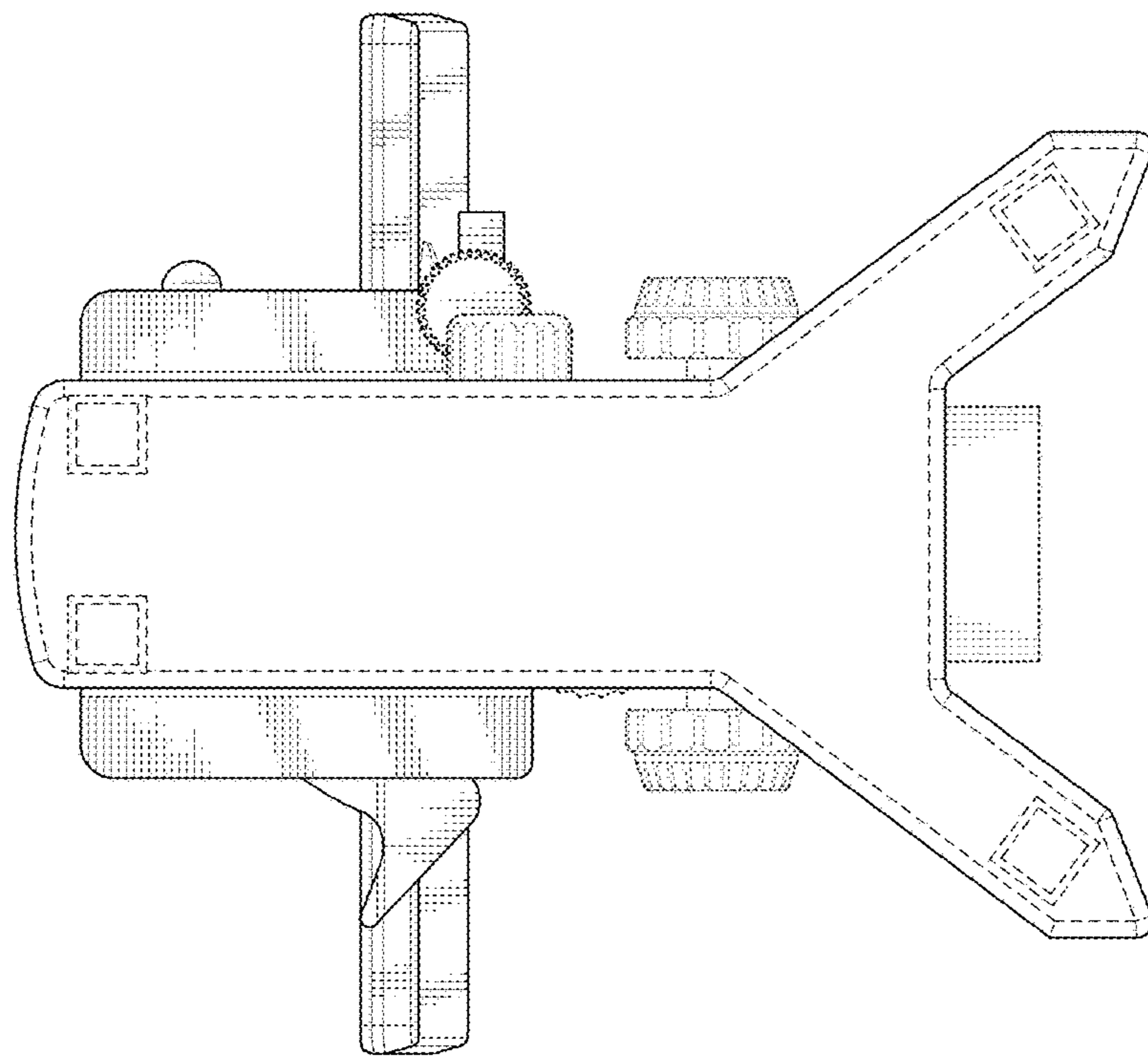


FIG. 7