



US00D866627S

(12) **United States Design Patent**
Yun et al.

(10) **Patent No.:** **US D866,627 S**

(45) **Date of Patent:** **** Nov. 12, 2019**

(54) **PERSONAL ROBOT**

(71) Applicant: **Zoetic, Inc.**, Sunnyvale, CA (US)
(72) Inventors: **Yipeng Yun**, Sunnyvale, CA (US); **Jitu Das**, Sunnyvale, CA (US); **Nicholas Steigmann**, San Mateo, CA (US); **Si Huang**, Sunnyvale, CA (US)

(73) Assignee: **Zoetic, Inc.**, Sunnyvale, CA (US)

(**) Term: **15 Years**

(21) Appl. No.: **29/639,478**

(22) Filed: **Mar. 6, 2018**

(51) **LOC (12) Cl.** **15-99**

(52) **U.S. Cl.**
USPC **D15/199**

(58) **Field of Classification Search**
USPC 15/122, 199; 21/578-583, 621, 622;
23/259, 262, 263
CPC A63H 3/00; A63H 11/00; B25J 19/00
See application file for complete search history.

(56) **References Cited**

U.S. PATENT DOCUMENTS

D290,032 S *	5/1987	Horiuchi	D21/578
D304,962 S *	12/1989	Watanabe	D21/578
D410,479 S *	6/1999	Sawai	D16/202
D450,788 S *	11/2001	Kawasaki	D21/578
D500,067 S *	12/2004	Liu	D16/202
D541,353 S *	4/2007	Takahashi	D21/578
D549,756 S *	8/2007	Park	D15/199
D608,845 S *	1/2010	Tang	D21/585
D624,610 S *	9/2010	Wu	D21/578
D635,603 S *	4/2011	Paz Rodriguez	D15/199
D644,256 S *	8/2011	Kitano	D15/199
D685,438 S *	7/2013	Fan	D15/199

(Continued)

OTHER PUBLICATIONS

Breazeal, "Emotion and Sociable Humanoid Robots," Retrieved from the Internet: URL<<http://web.media.mit.edu/~cynthiab/Papers/Breazeal-ijhcs02-final.pdf>>. Nov. 3, 2002, 42 pages.

Primary Examiner — Patricia A Palasik
(74) *Attorney, Agent, or Firm* — Fish & Richardson P.C.

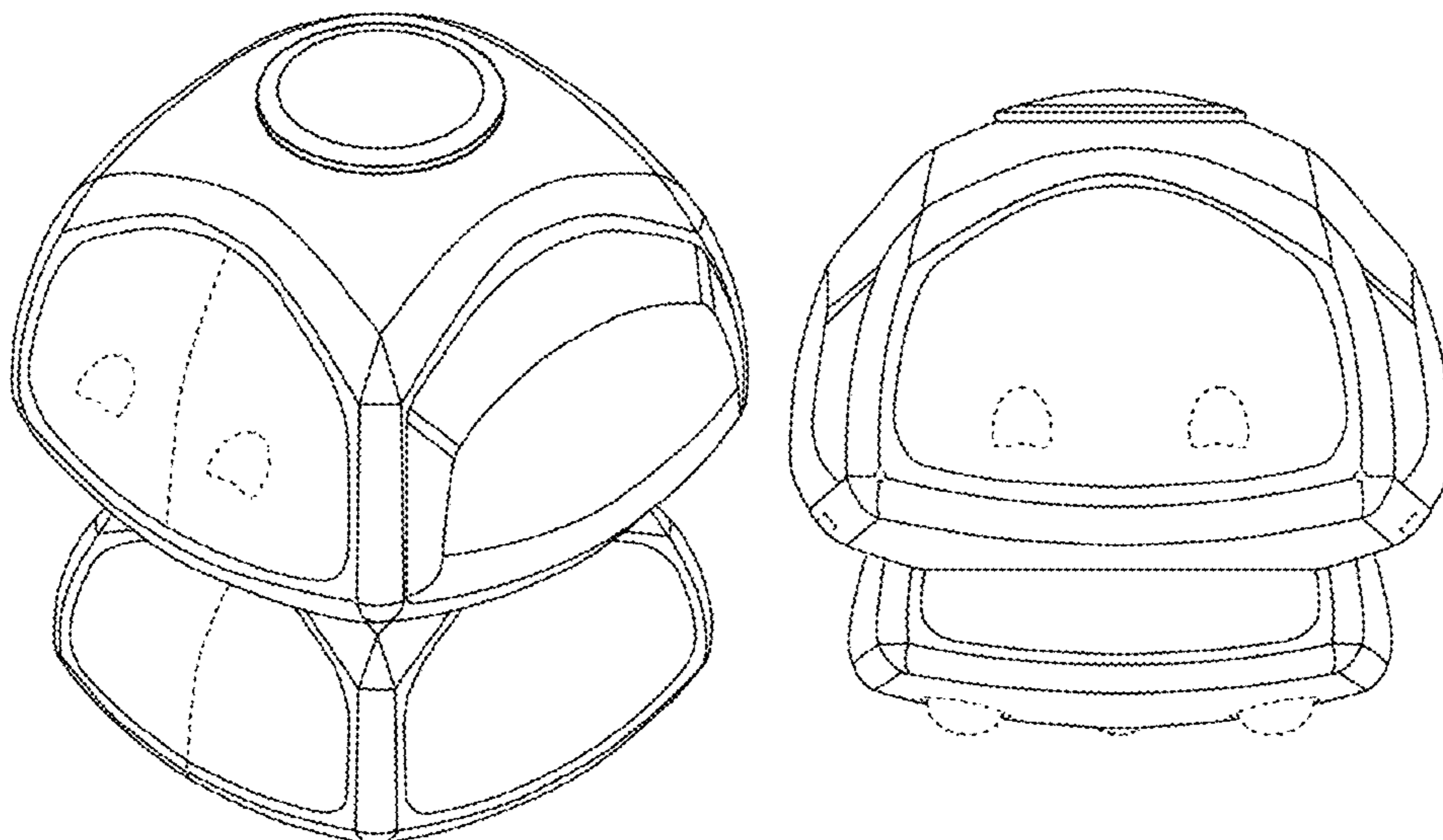
(57) **CLAIM**

The ornamental design for a personal robot, substantially as shown and described.

DESCRIPTION

FIG. 1 is a perspective view of the personal robot showing the new design.
FIG. 2 is a front elevation view thereof.
FIG. 3 is a rear elevation view thereof.
FIG. 4 is a side elevation view, the opposite side being a mirror image thereof.
FIG. 5 is a top view thereof.
FIG. 6 is a bottom view thereof.
FIG. 7 is a front elevation view of the personal robot in a collapsed position.
FIG. 8 is a perspective view of a second implementation of the personal robot showing the new design.
FIG. 9 is a front elevation view of the second implementation.
FIG. 10 is a rear elevation view of the second implementation.
FIG. 11 is a side elevation view of the second implementation, the opposite side being a mirror image thereof.
FIG. 12 is a top view of the second implementation.
FIG. 13 is a bottom view of the second implementation; and, FIG. 14 is a front elevation view of the second implementation of the personal robot in a collapsed position.
The broken lines in the Figures show portions of the personal robot that form no part of the claimed design.

1 Claim, 14 Drawing Sheets



(56)

References Cited

U.S. PATENT DOCUMENTS

D688,329	S	*	8/2013	Vinh Hoang	D15/199
D695,345	S	*	12/2013	Park	D19/59
D710,953	S	*	8/2014	Katsutani	D15/199
D719,621	S	*	12/2014	Song	D21/578
D725,167	S	*	3/2015	Song	D15/199
D761,894	S	*	7/2016	Ho	D15/199
D774,148	S	*	12/2016	Hong	D21/578
D793,145	S	*	8/2017	Huang	D15/199
D795,321	S	*	8/2017	Liu	D15/199
D806,805	S	*	1/2018	Takahashi	D21/578
D810,167	S	*	2/2018	Yang	D15/199
D811,458	S	*	2/2018	Wang	D15/199
D822,740	S	*	7/2018	Tsai	D15/199
D822,744	S	*	7/2018	Hathway	D16/203
D823,367	S	*	7/2018	Tsai	D15/199
D837,854	S	*	1/2019	Zhou	D15/199

* cited by examiner

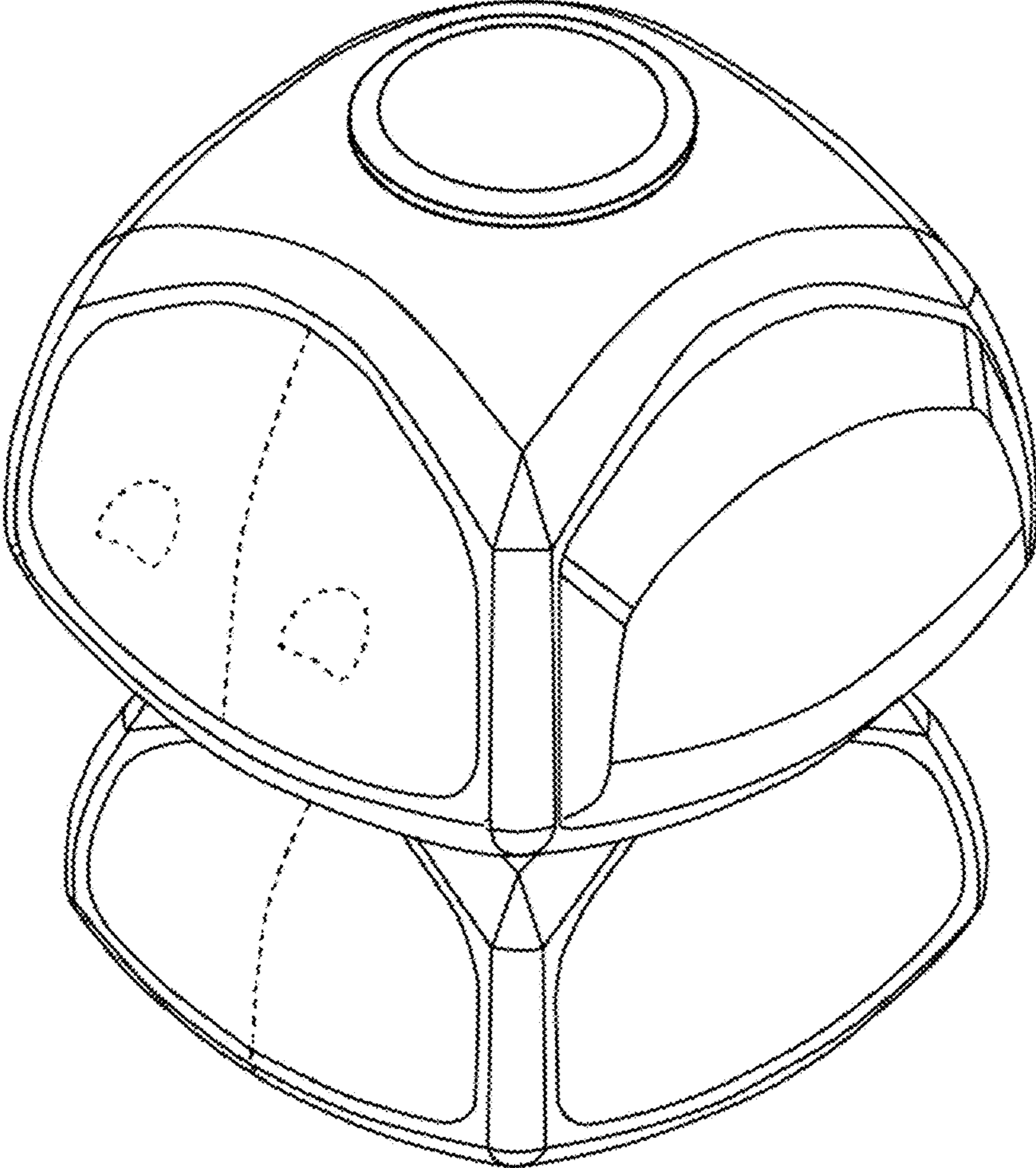


Fig. 1

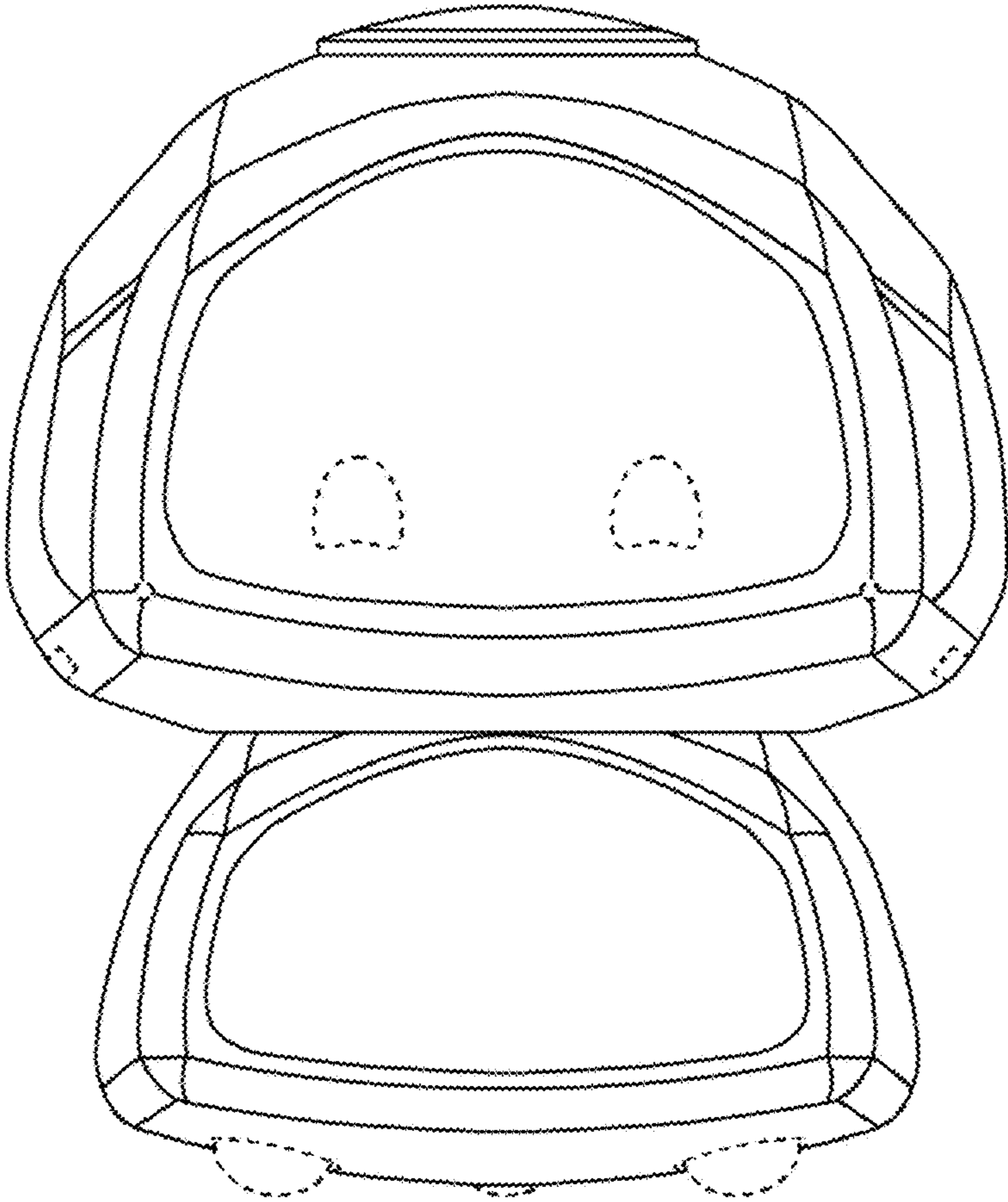


Fig. 2

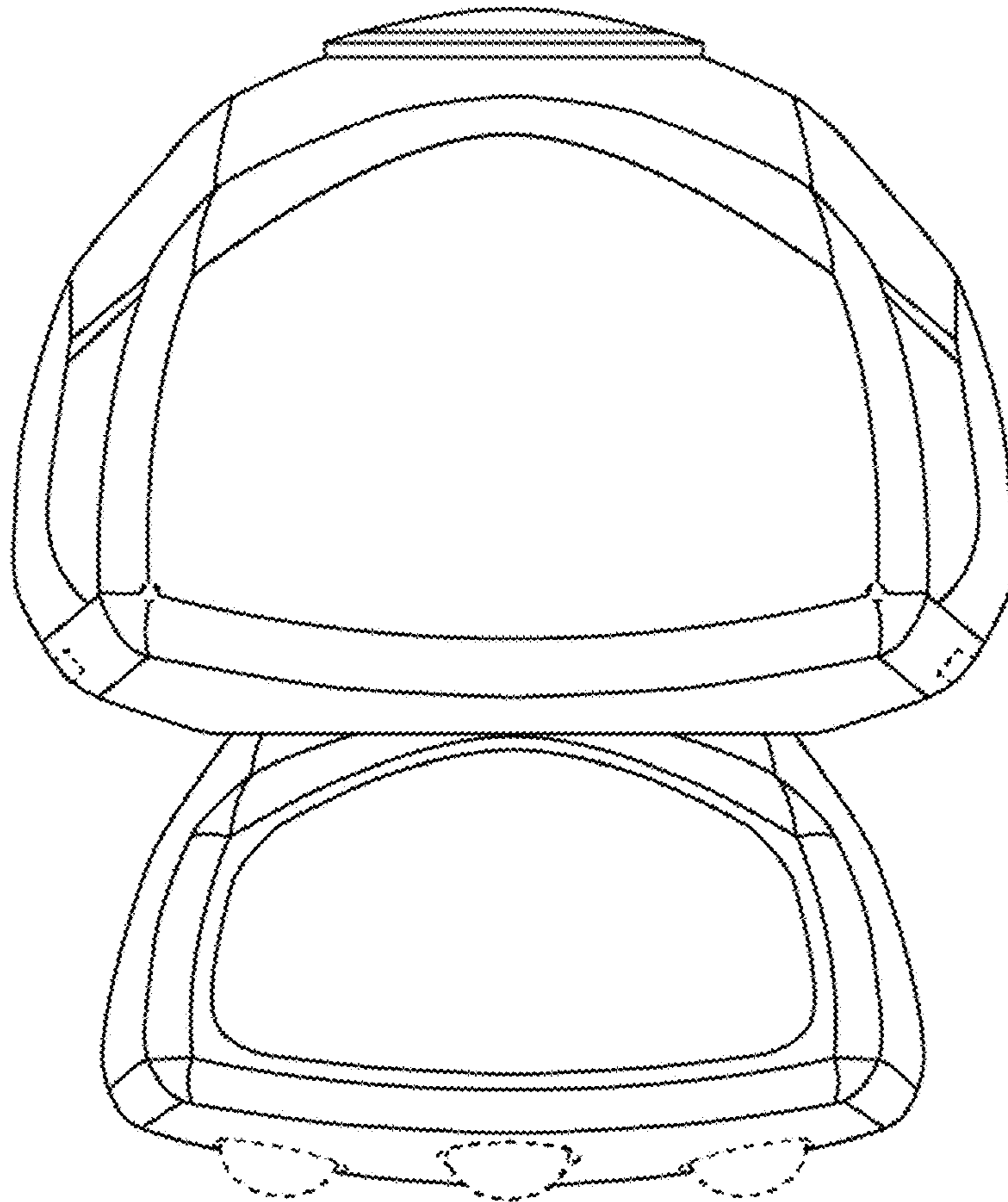


Fig. 3

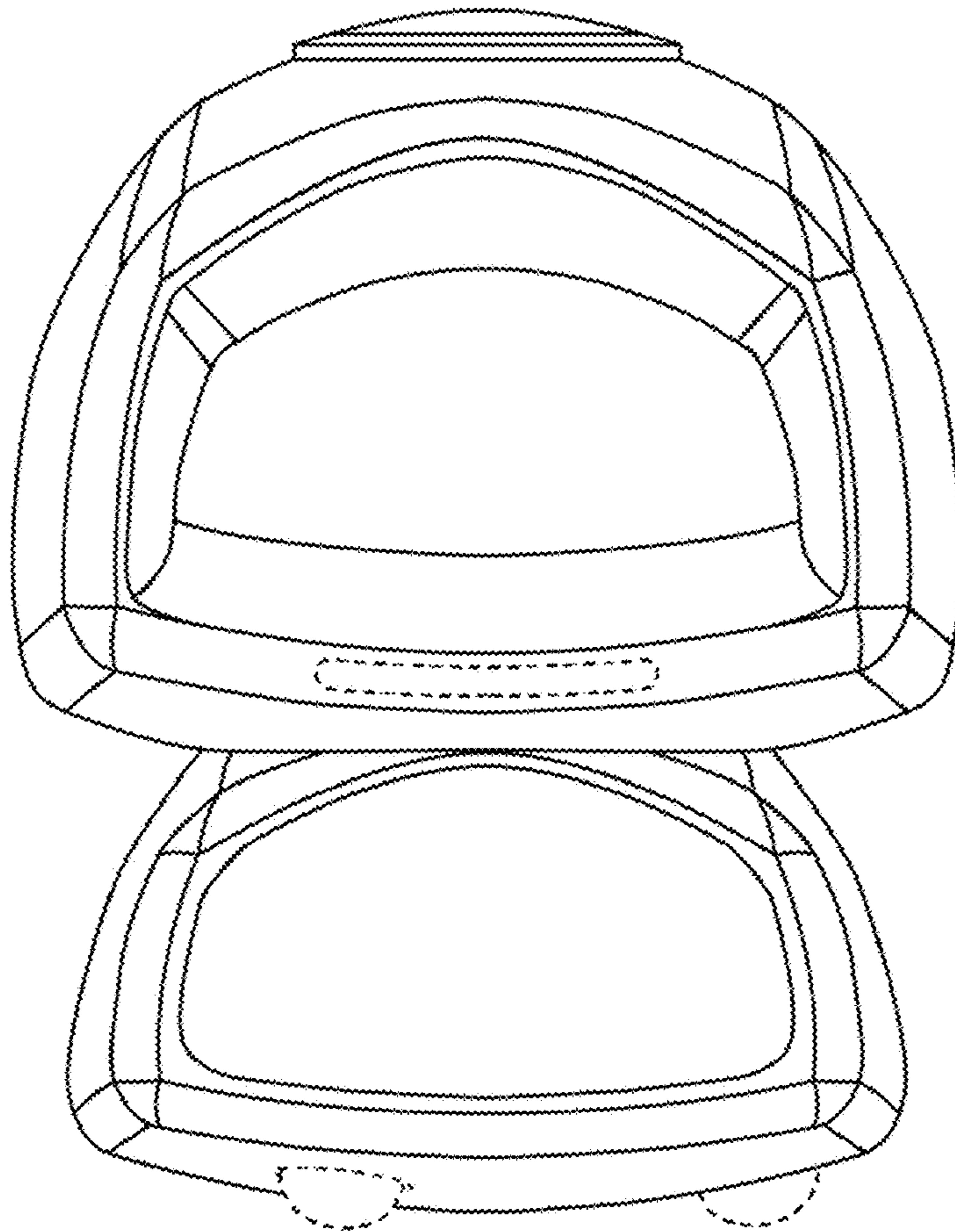


Fig. 4

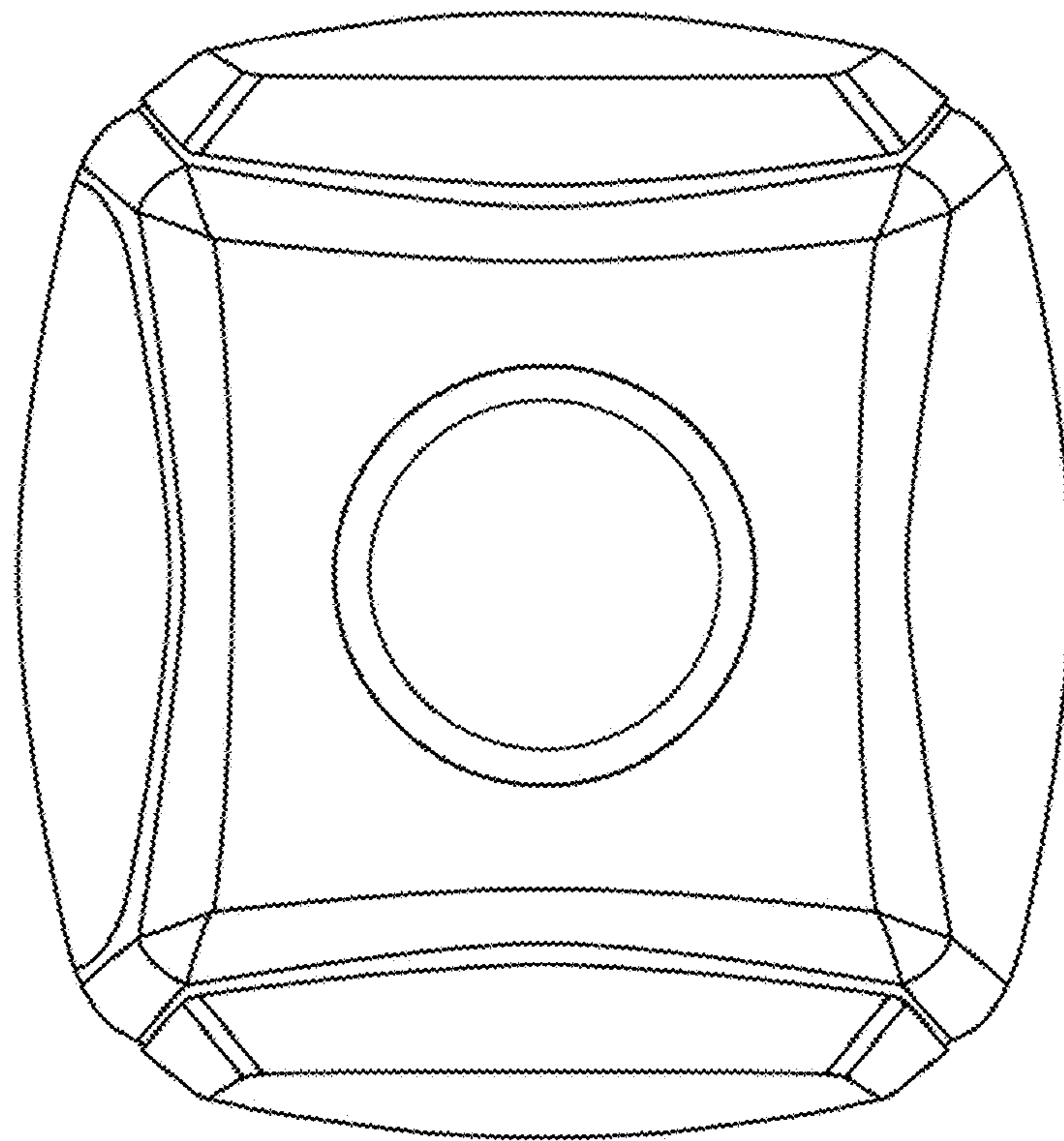


Fig. 5

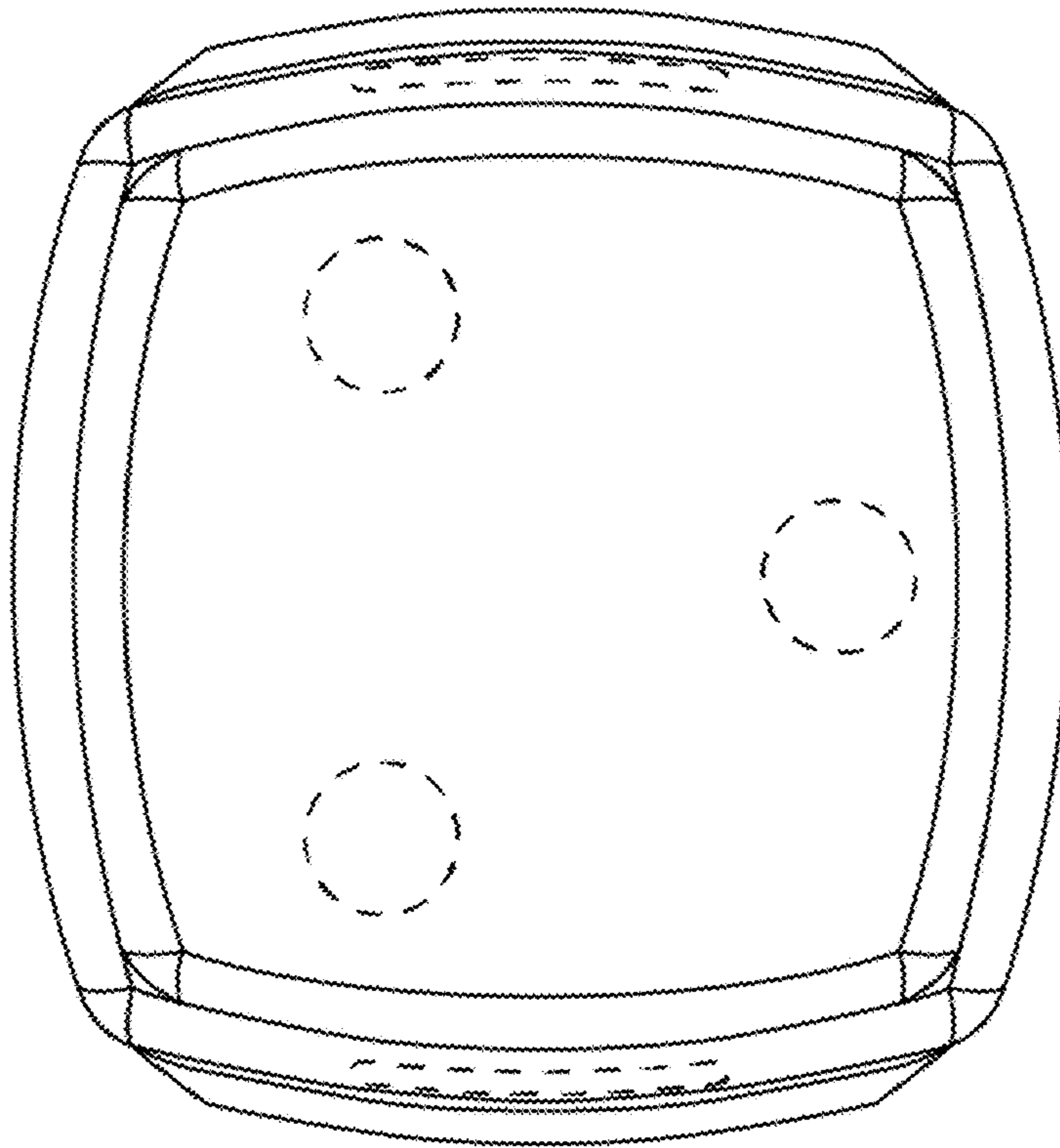


Fig. 6

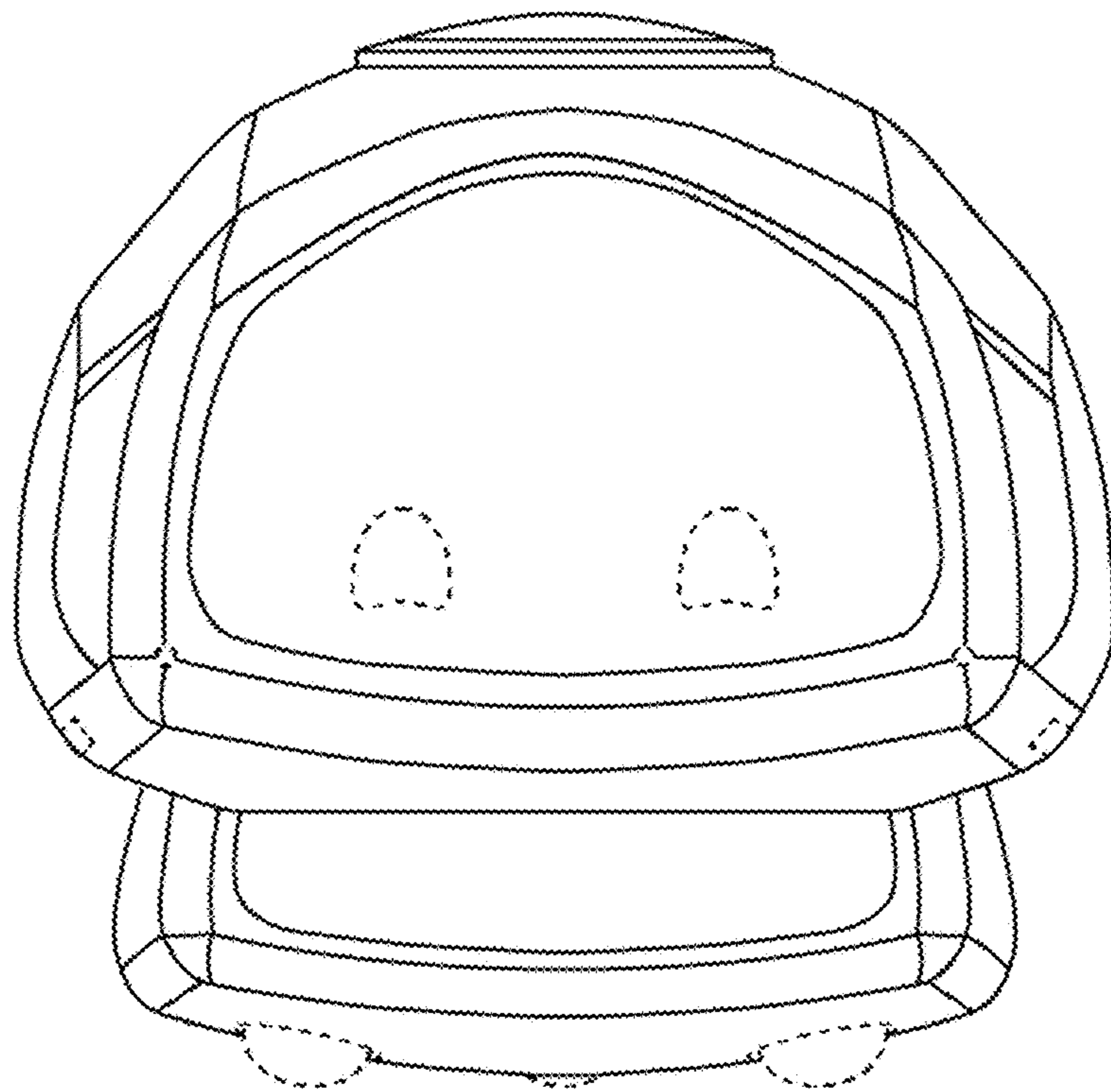


Fig. 7

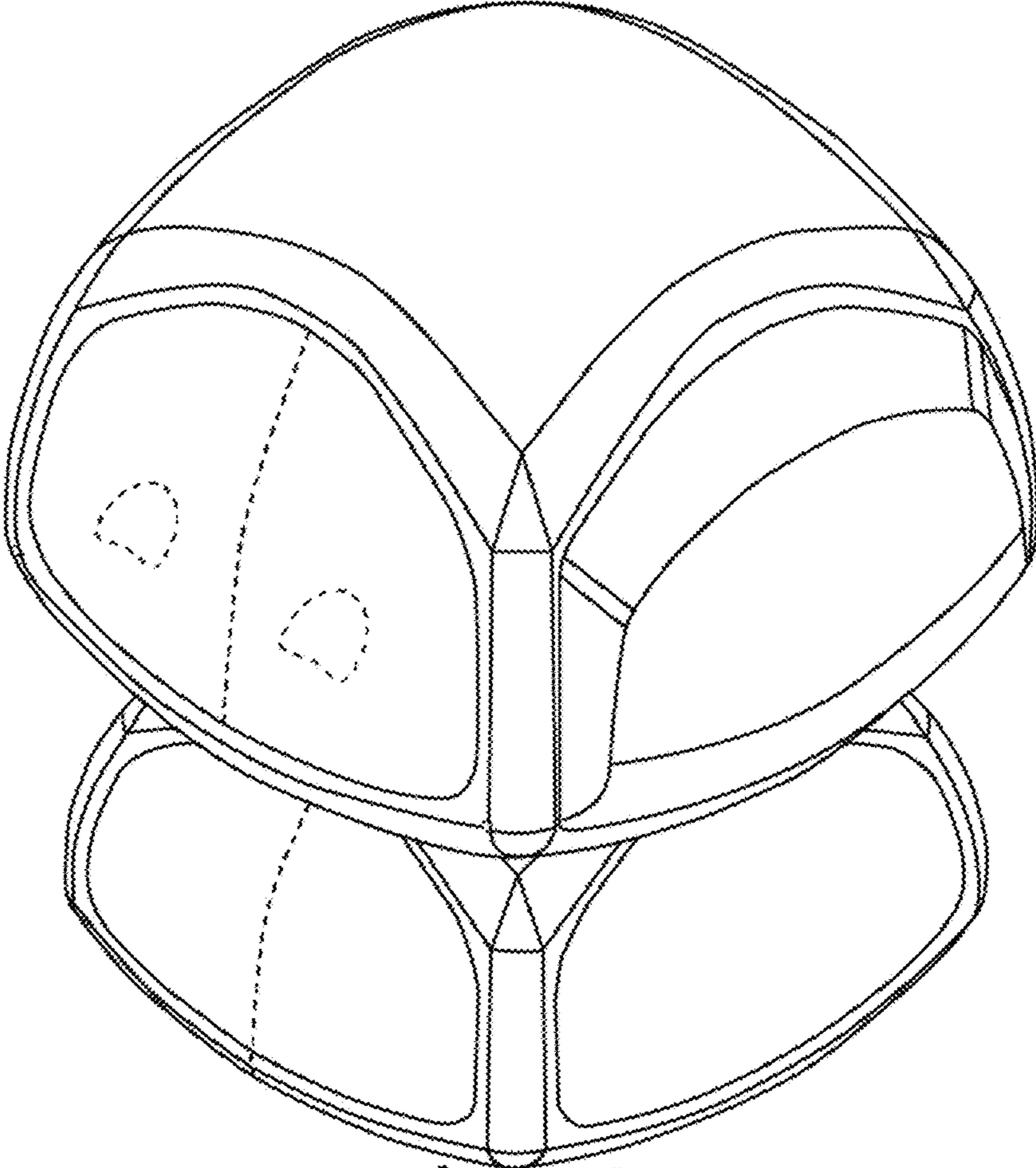


Fig. 8

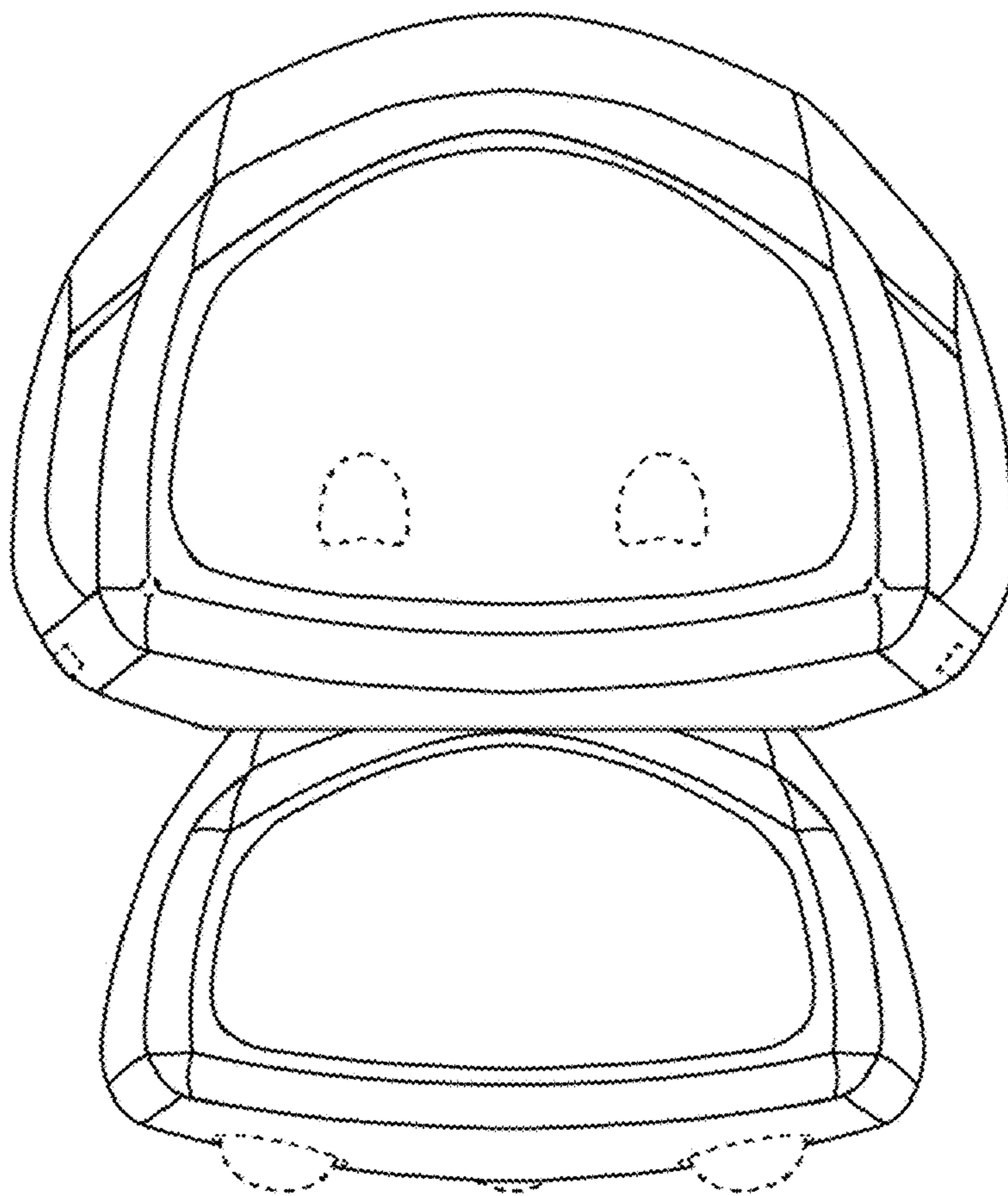


Fig. 9

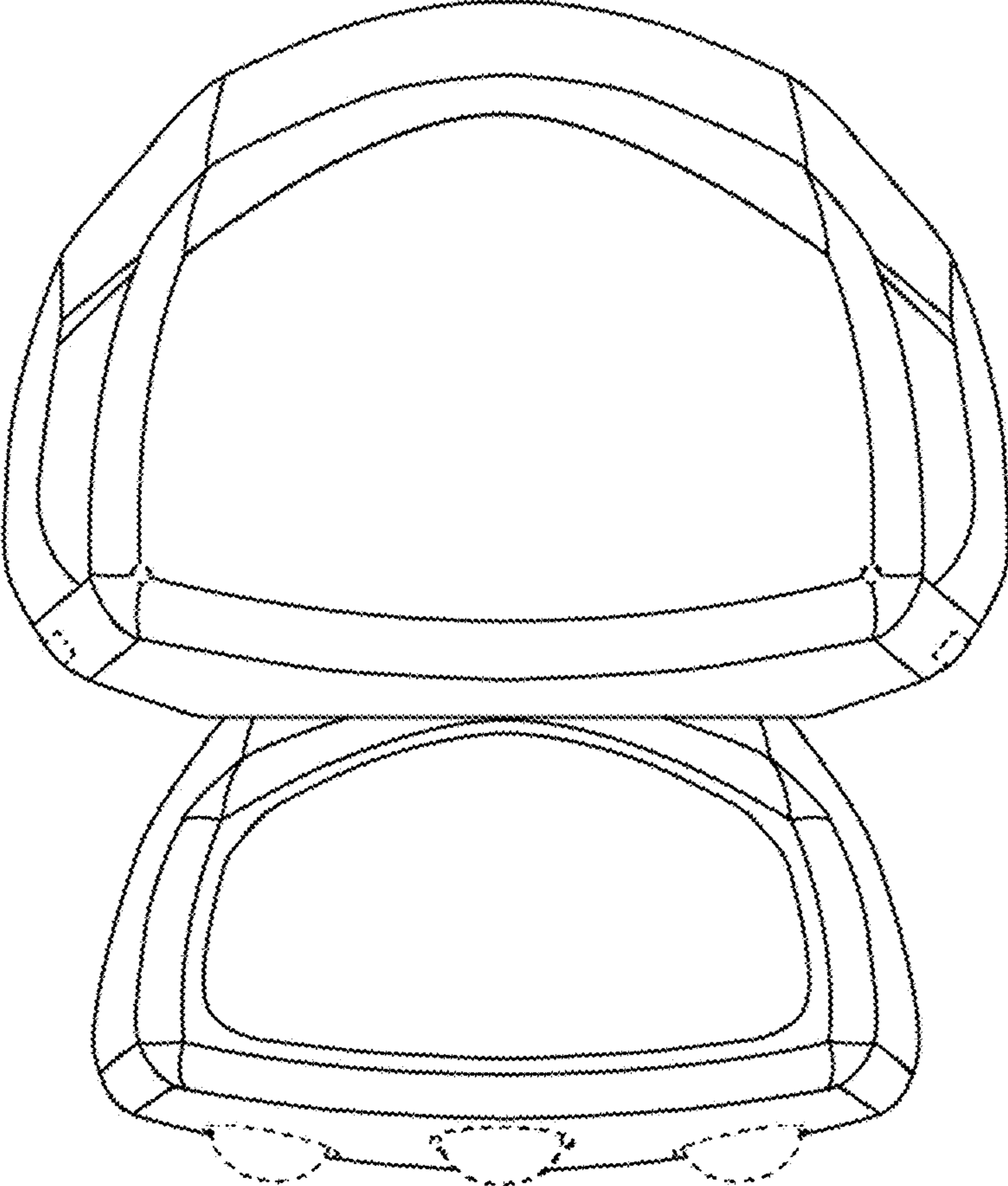


Fig. 10

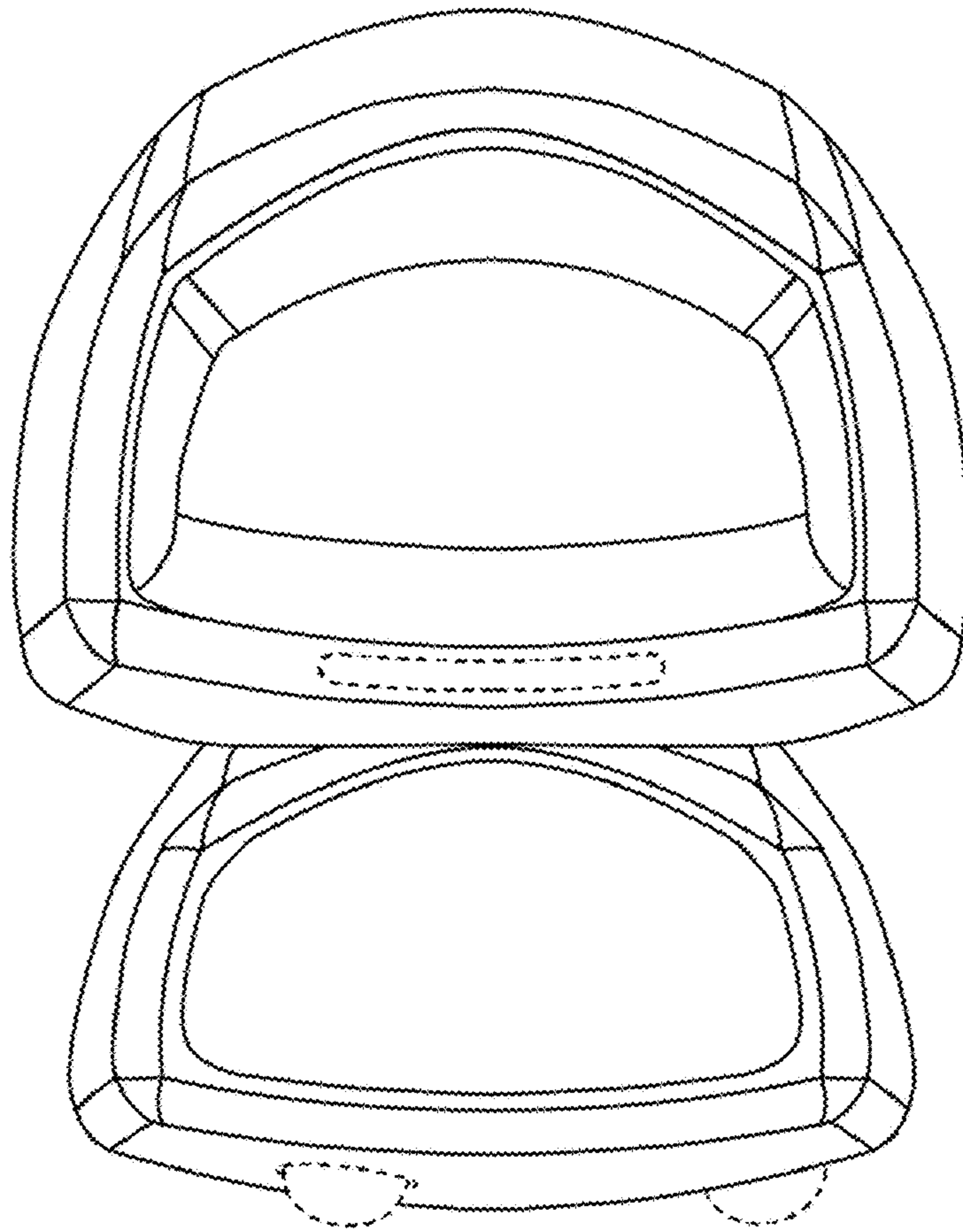


Fig. 11

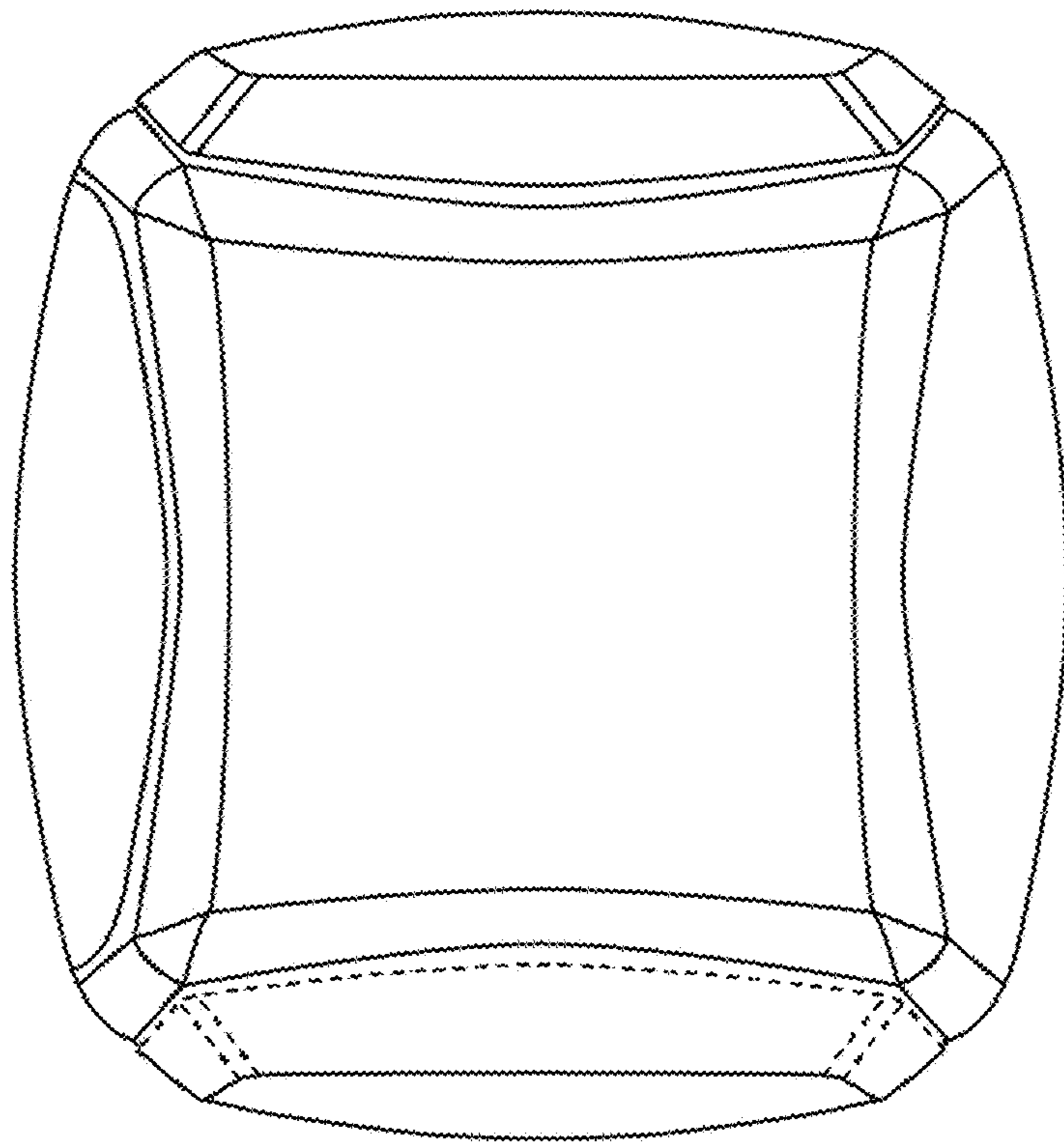


Fig. 12

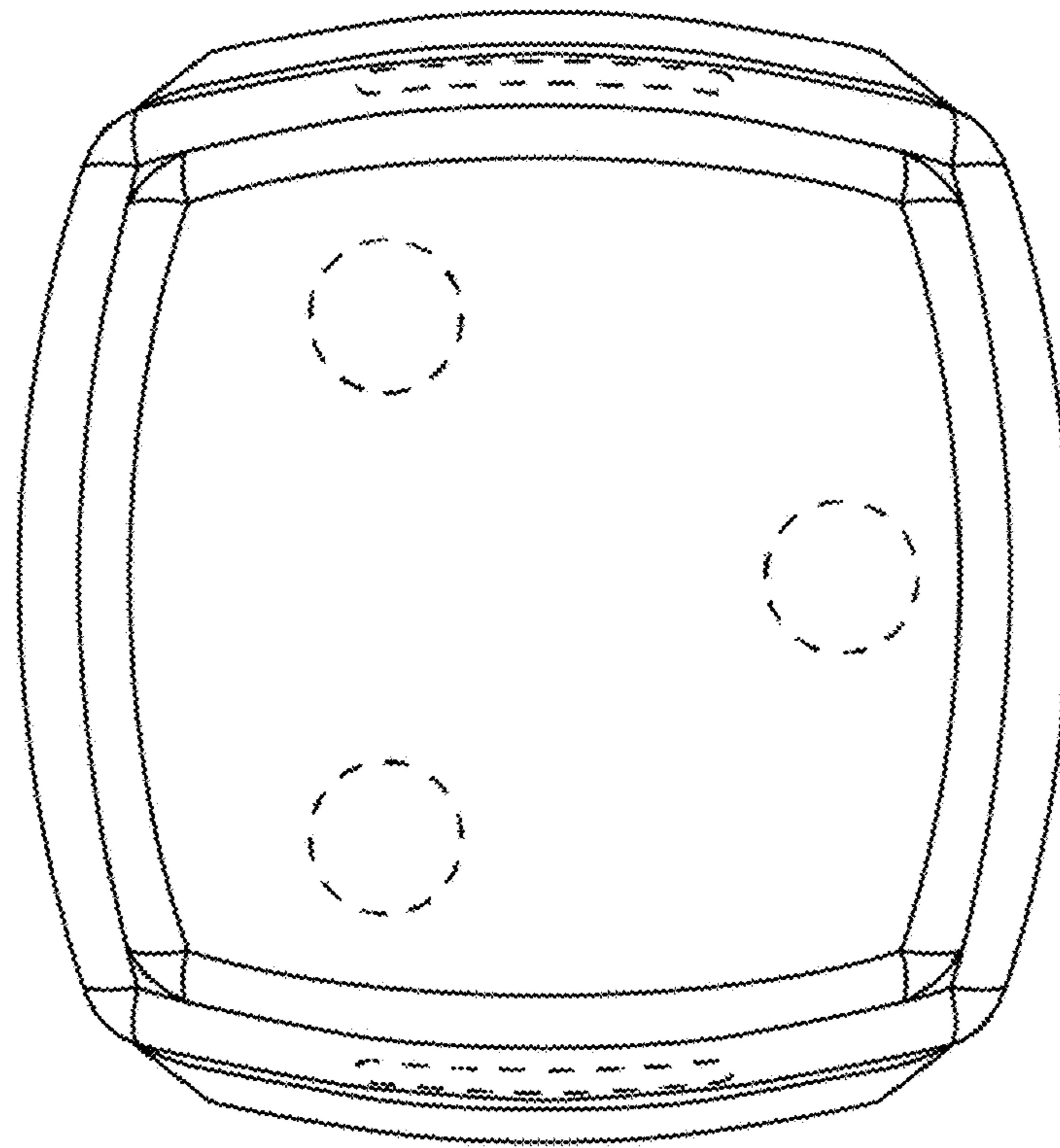


Fig. 13

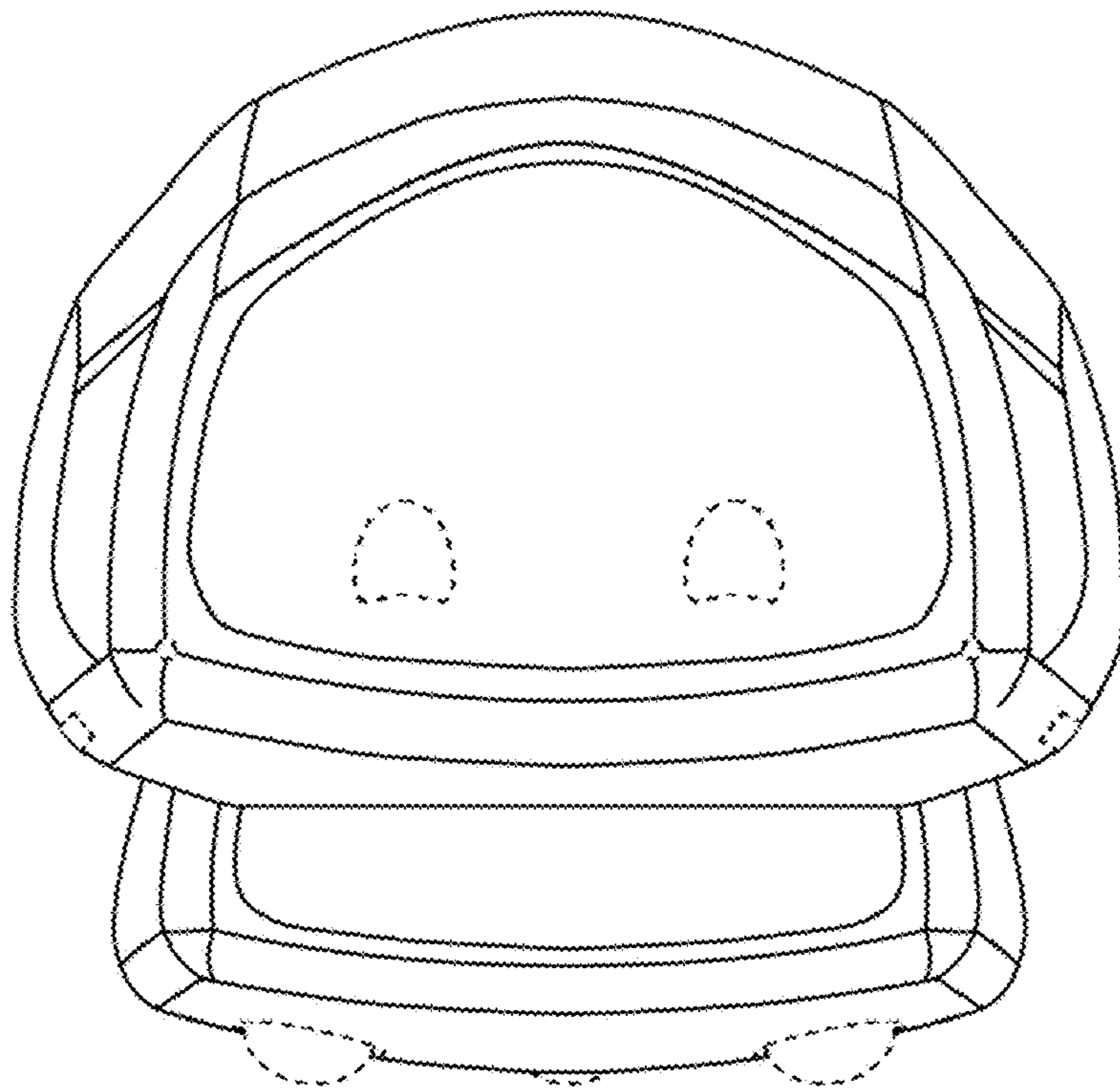


Fig. 14