

US00D86622S

(12) **United States Design Patent** (10) **Patent No.:** **US D866,622 S**
Son (45) **Date of Patent:** **** Nov. 12, 2019**

(54) **MACHINE CENTER**
(71) Applicant: **DOOSAN MACHINE TOOLS CO., LTD.**, Chang-Won-Si (KR)
(72) Inventor: **Heedong Son**, Changwon-si (KR)
(73) Assignee: **DOOSAN MACHINE TOOLS CO., LTD.**, Chang-Won-si (KR)
(**) Term: **15 Years**
(21) Appl. No.: **29/656,392**
(22) Filed: **Jul. 12, 2018**
(51) **LOC (12) Cl.** **15-09**
(52) **U.S. Cl.**
USPC **D15/122**
(58) **Field of Classification Search**
USPC D15/122, 127, 130
CPC B23F 5/20; B23F 23/1243; B23Q 1/01;
B23Q 1/03; B23Q 1/10; B23Q 1/26;
B23Q 11/08; B23Q 11/0042; B23Q
11/0891; B23Q 15/00; B23Q 15/007;
B23Q 39/024; B23Q 2039/006
See application file for complete search history.

D548,755 S * 8/2007 Takeshima D15/122
D559,283 S * 1/2008 Takeda D15/127
D559,871 S * 1/2008 Kittaka D15/122
D635,595 S * 4/2011 Hiroshima D15/122
D635,596 S * 4/2011 Hiroshima D15/122
D637,631 S * 5/2011 Hiroshima D15/122
D651,620 S * 1/2012 Schindler D15/122
D659,174 S * 5/2012 Mueller D15/122
D659,728 S * 5/2012 Mueller D15/122
D664,570 S * 7/2012 Mueller D15/122
D667,031 S * 9/2012 Mueller D15/122
D690,331 S * 9/2013 Kitamura D15/122
D693,859 S * 11/2013 Kitamura D15/122
D696,315 S * 12/2013 Schmid D15/122
D711,947 S * 8/2014 Son D15/199
9,073,157 B2 * 7/2015 Nishida B23Q 1/66
D745,070 S * 12/2015 Schindler D15/122
D759,133 S * 6/2016 Kitamura D15/122
D759,738 S * 6/2016 Schonherr D15/122
9,415,474 B2 * 8/2016 Lee B23Q 11/00

* cited by examiner

Primary Examiner — Patricia A Palasik
(74) *Attorney, Agent, or Firm* — STIP Law Group, LLC

(57) **CLAIM**

The ornamental design for a machine center, as shown and described.

DESCRIPTION

FIG. 1 is a perspective view of the machine center, showing the present design.
FIG. 2 is a front view thereof.
FIG. 3 is a rear view thereof.
FIG. 4 is a left side view thereof.
FIG. 5 is a right side view thereof; and,
FIG. 6 is a top view of thereof.
The broken lines showing of rectangles are for the purpose of illustrating portions of the article and form no part of the claimed design.

1 Claim, 6 Drawing Sheets

(56) **References Cited**
U.S. PATENT DOCUMENTS
D241,160 S * 8/1976 Gurian et al. D15/122
5,062,195 A * 11/1991 Binder B23Q 3/15526
29/563
5,117,552 A * 6/1992 Babel B23Q 1/015
409/235
5,940,948 A * 8/1999 Rehm B23Q 1/01
144/2.1
D420,686 S * 2/2000 Kunema D15/127
D489,077 S * 4/2004 Bloch D15/122
D495,723 S * 9/2004 Kawamura D15/127
D548,754 S * 8/2007 Itabashi D15/122

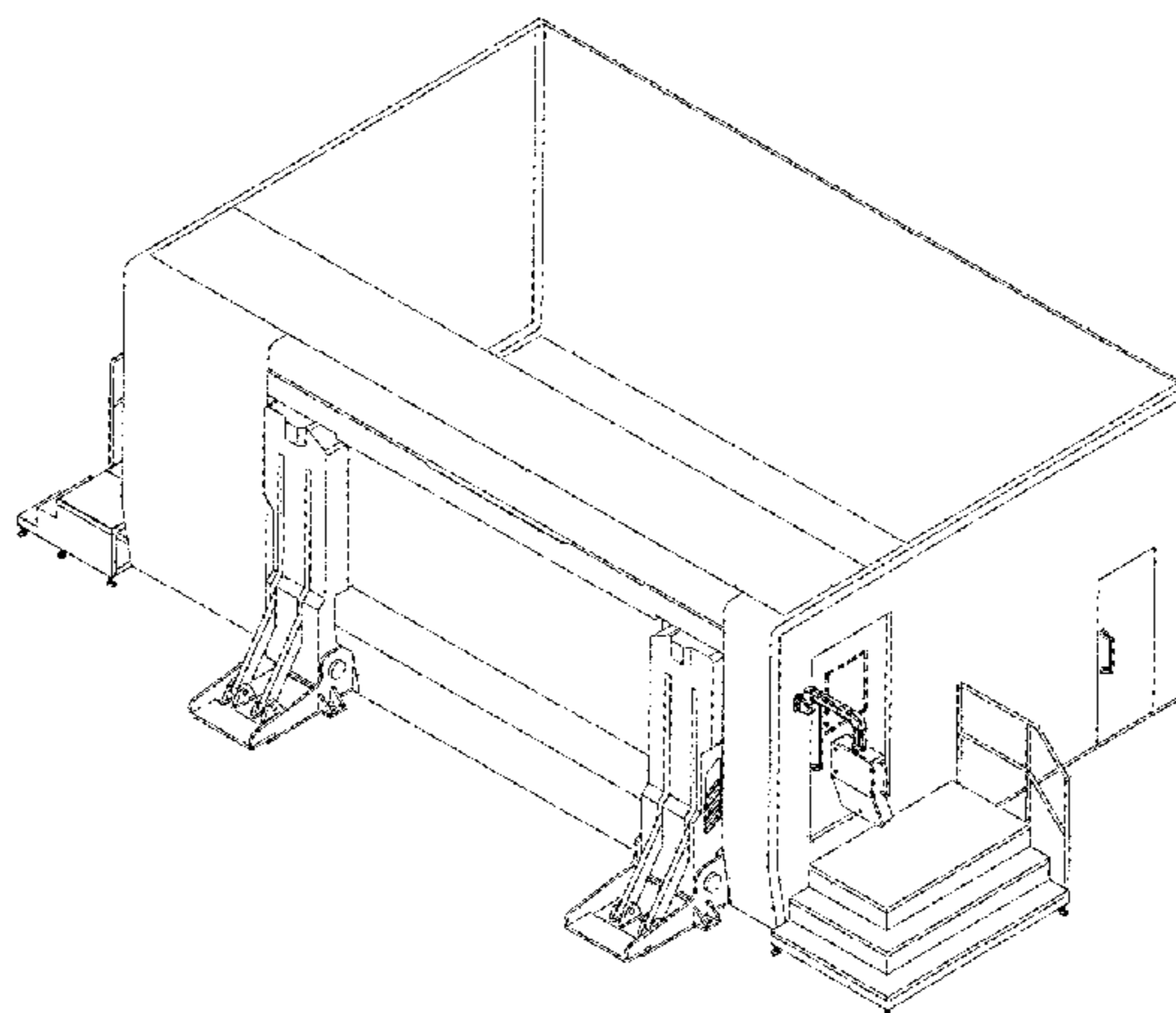


Fig. 1

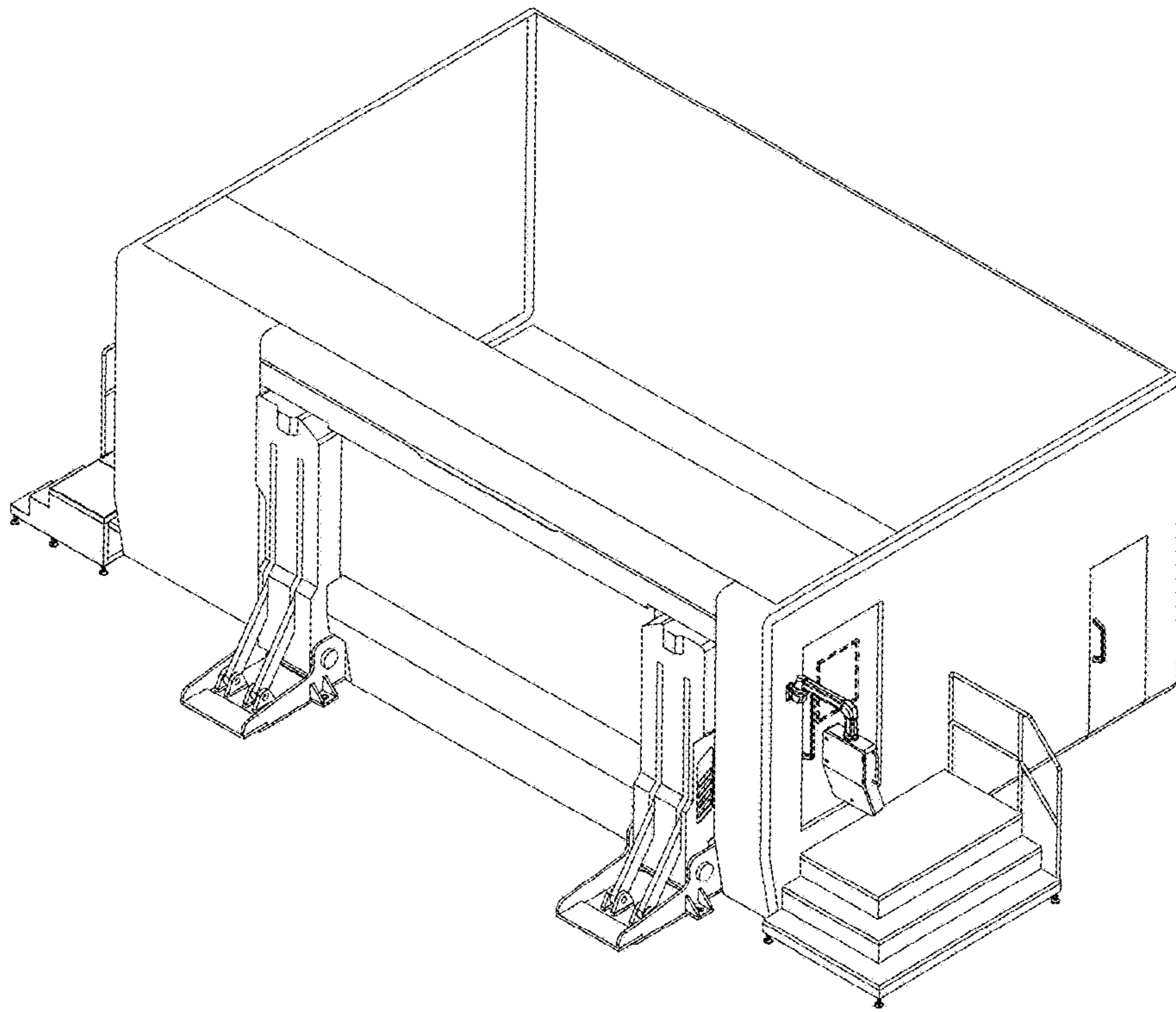


Fig. 2

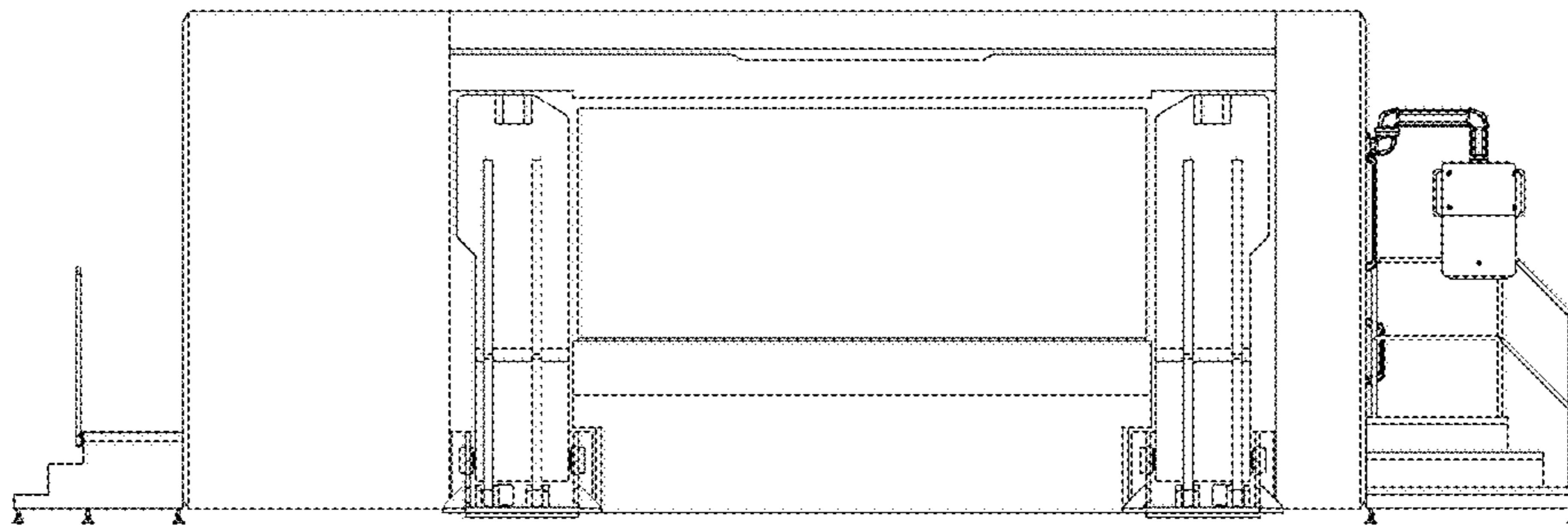


Fig. 3

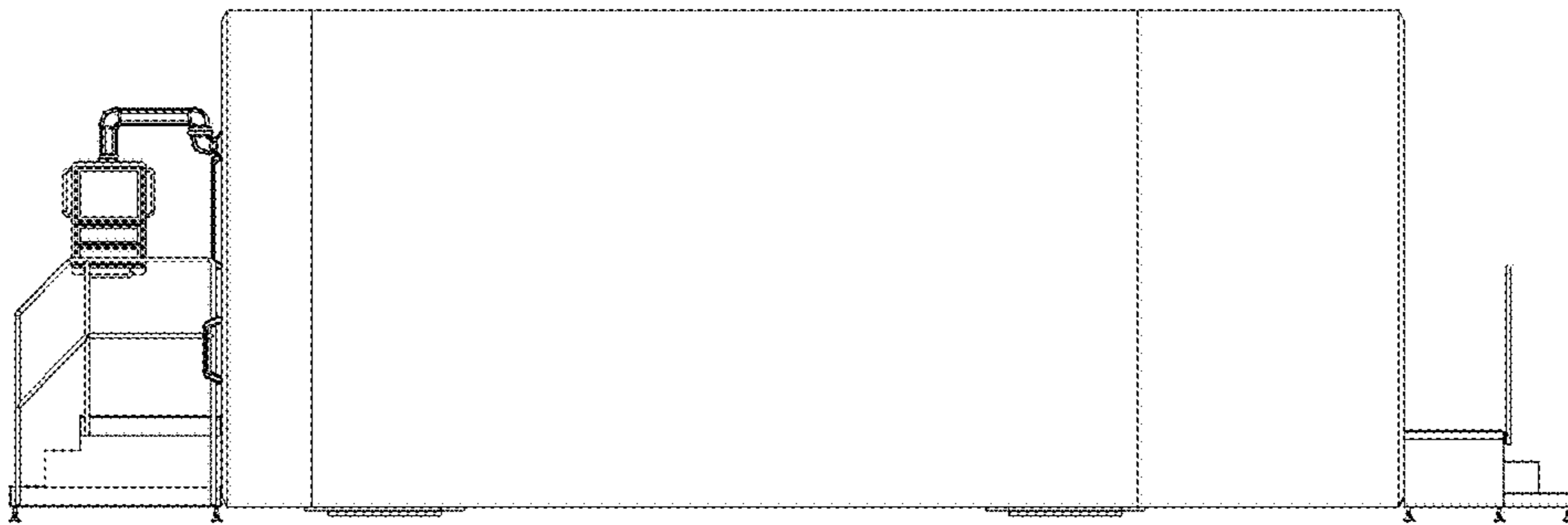


Fig. 4

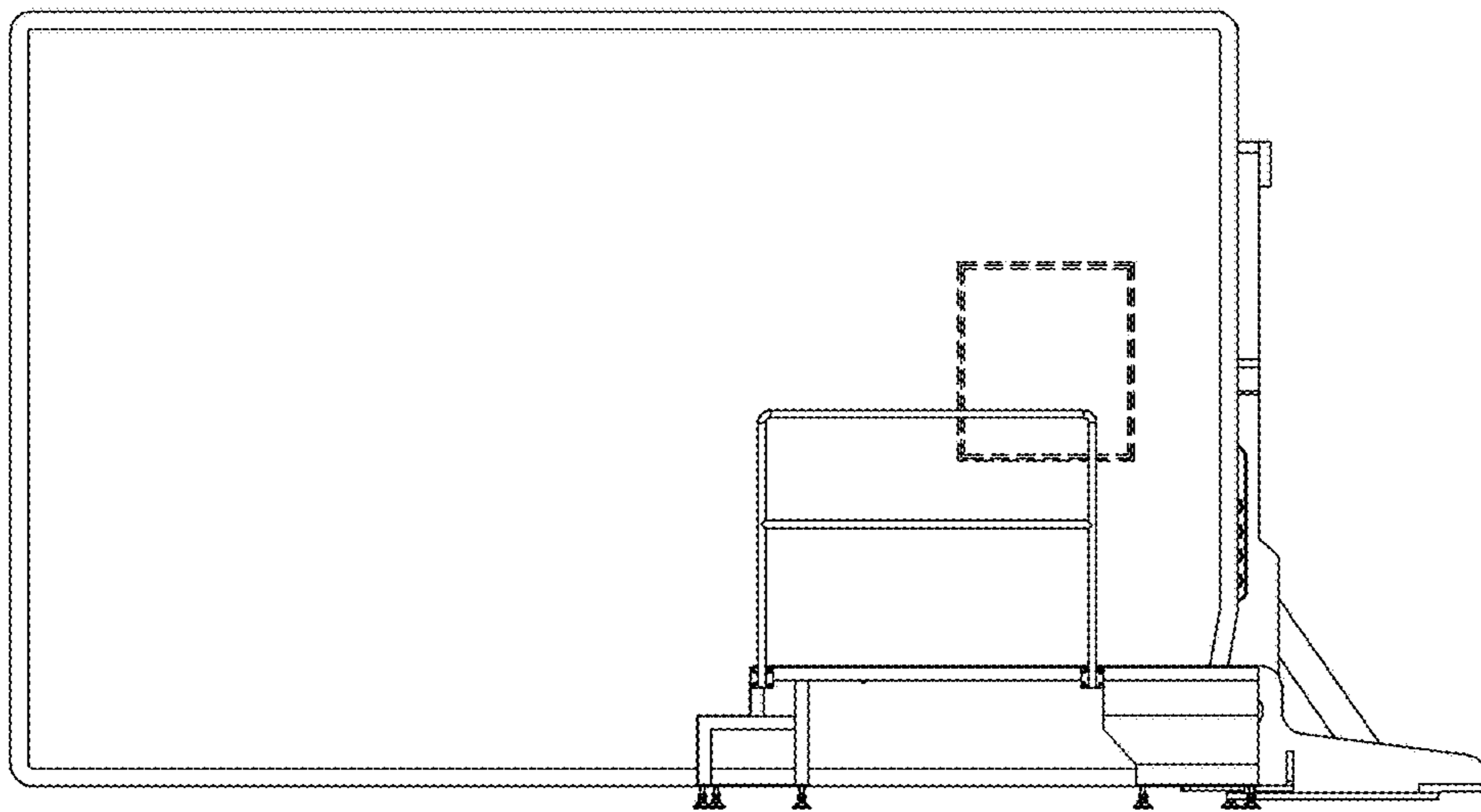


Fig. 5

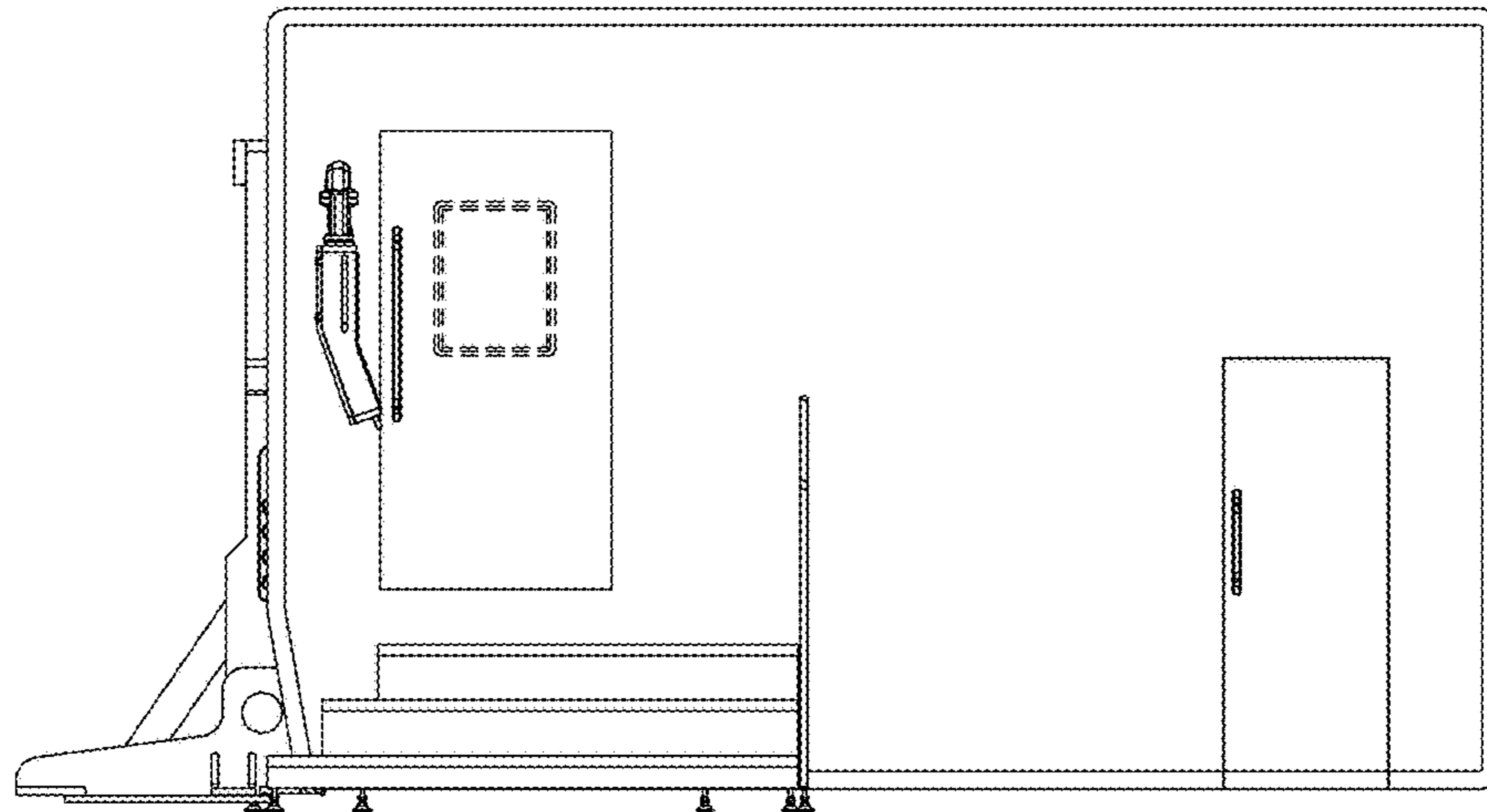


Fig. 6

