

US00D866620S

(12) **United States Design Patent** (10) **Patent No.:** **US D866,620 S**  
**Legros et al.** (45) **Date of Patent:** **\*\* \*Nov. 12, 2019**

(54) **REFRIGERATING APPARATUS**

7/10; F02M 7/12; F02M 7/133; F02M 7/17; F02M 9/12; F02M 9/127; F02M 9/14

(71) Applicant: **B. Medical Systems, S.a.r.l.**, Hosingen (LU)

See application file for complete search history.

(72) Inventors: **Arnaud Legros**, Hosingen (LU); **Eric Groenendaels**, Hosingen (LU)

(56) **References Cited**

(73) Assignee: **B. Medical Systems, S.a.r.l.**, Hosingen (LU)

U.S. PATENT DOCUMENTS

(\*) Notice: This patent is subject to a terminal disclaimer.

4,307,581 A *	12/1981	Reid	.....	F25D 3/08
				62/372
D368,916 S *	4/1996	Pawlowski	.....	D15/79
D477,335 S *	7/2003	Upton	.....	D15/79
D491,580 S *	6/2004	Stoddart	.....	D15/79
D503,785 S *	4/2005	Otaki	.....	D15/79
D503,971 S *	4/2005	Otaki	.....	D15/79
D535,452 S *	1/2007	Lim	.....	D34/19
D595,748 S *	7/2009	Kratschmer	.....	D15/81
D618,712 S *	6/2010	Tsuji	.....	D15/79
D618,713 S *	6/2010	Tsuji	.....	D15/79
D819,091 S *	5/2018	Neill	.....	D15/81

(\*\*) Term: **15 Years**

(21) Appl. No.: **29/626,475**

(22) Filed: **Nov. 17, 2017**

(51) **LOC (12) Cl.** ..... **15-07**

\* cited by examiner

(52) **U.S. Cl.**  
USPC ..... **D15/79**

*Primary Examiner* — Khawaja Anwar

(58) **Field of Classification Search**  
USPC ..... D15/79-91; D23/355, 364, 365, 359;  
D34/12-27; D24/216-232, 107

(74) *Attorney, Agent, or Firm* — Jerold I. Schneider;  
Schneider IP Law

CPC ..... F02M 37/18; F02M 3/045; F02M 43/00;  
F02M 51/04; F02M 51/0614; F02M 53/043;  
F02M 55/004; F02M 55/008; F02M 57/021;  
F02M 57/027; F02M 59/025; F02M 59/10; F02M 5/00;  
F02M 5/12; F02M 5/14; F02M 61/02; F02M 61/045;  
F02M 61/14; F02M 61/145; F02M 61/18;  
F02M 61/184; F02M 61/1853; F02M 61/20;  
F02M 65/003; F02M 69/00; F02M 69/041; F02M 69/043;  
F02M 69/32; F02M 69/50; F02M

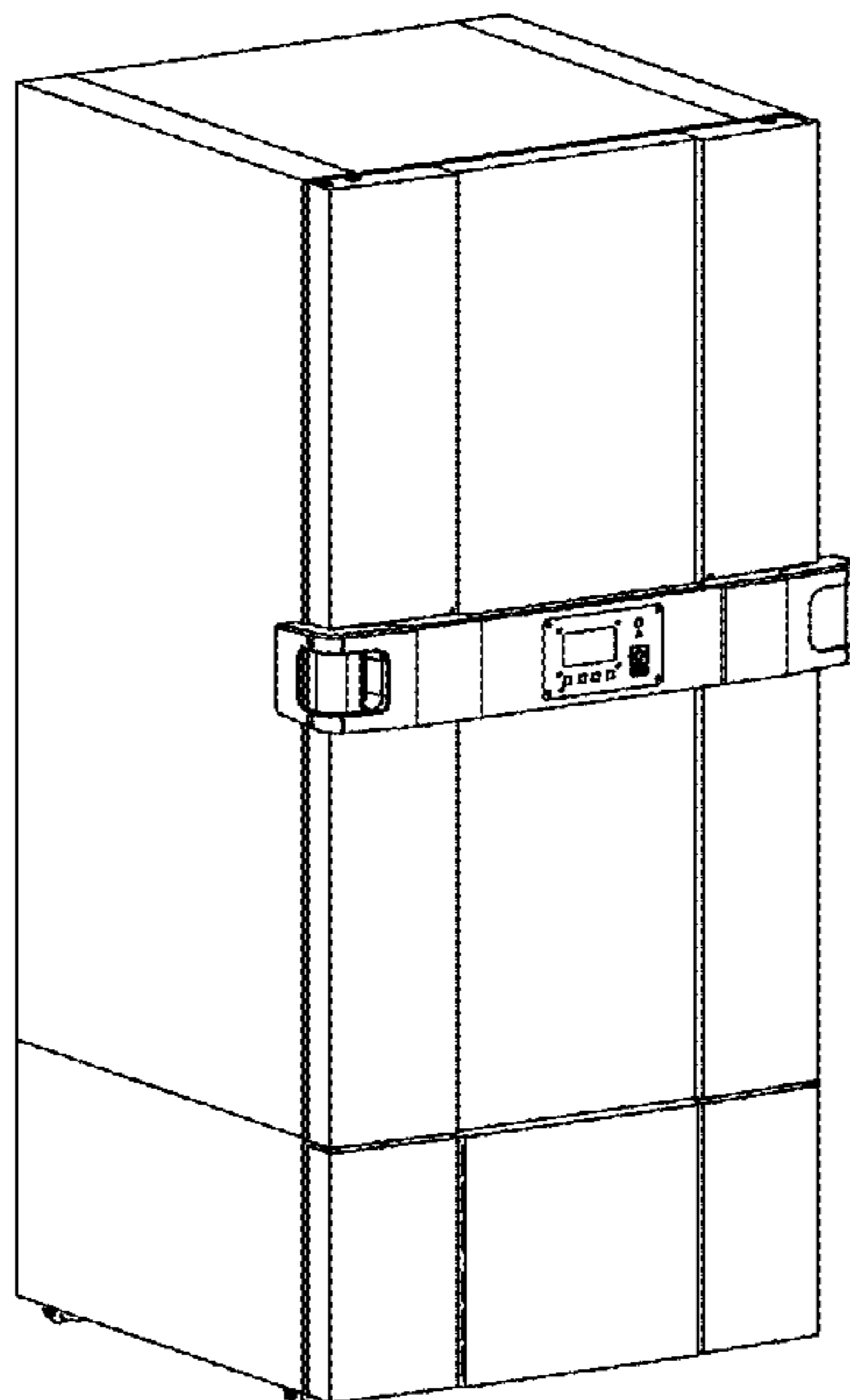
(57) **CLAIM**

We claim the ornamental design for a refrigerating apparatus, as shown and described.

**DESCRIPTION**

FIG. 1 is a perspective view of a refrigerating apparatus showing our new design from the Left, Front and Top; FIG. 2 is a view from the Right, Front and Top; and, FIG. 3 is a view from the Left, Rear and Bottom.

**1 Claim, 2 Drawing Sheets**



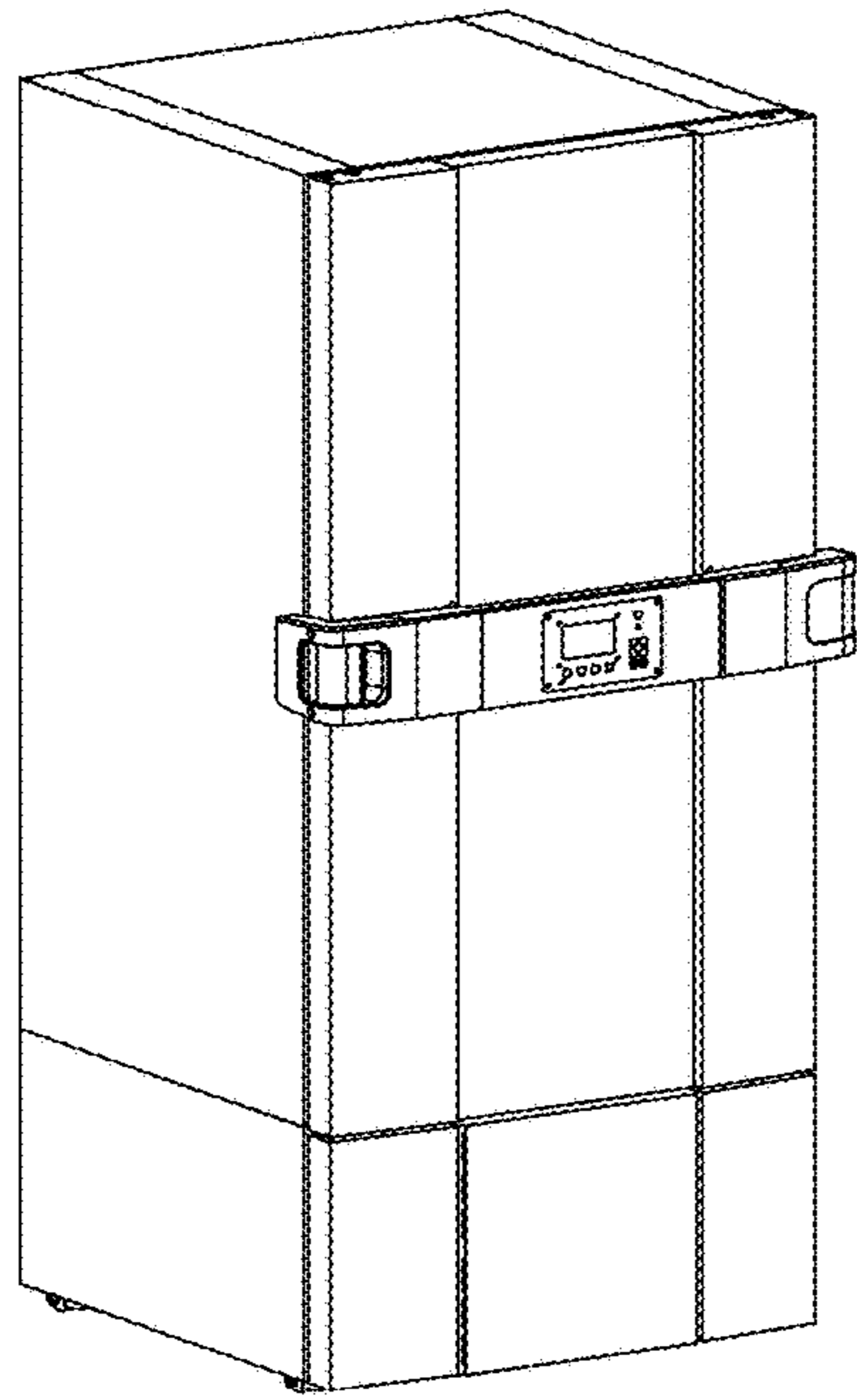


FIG. 1

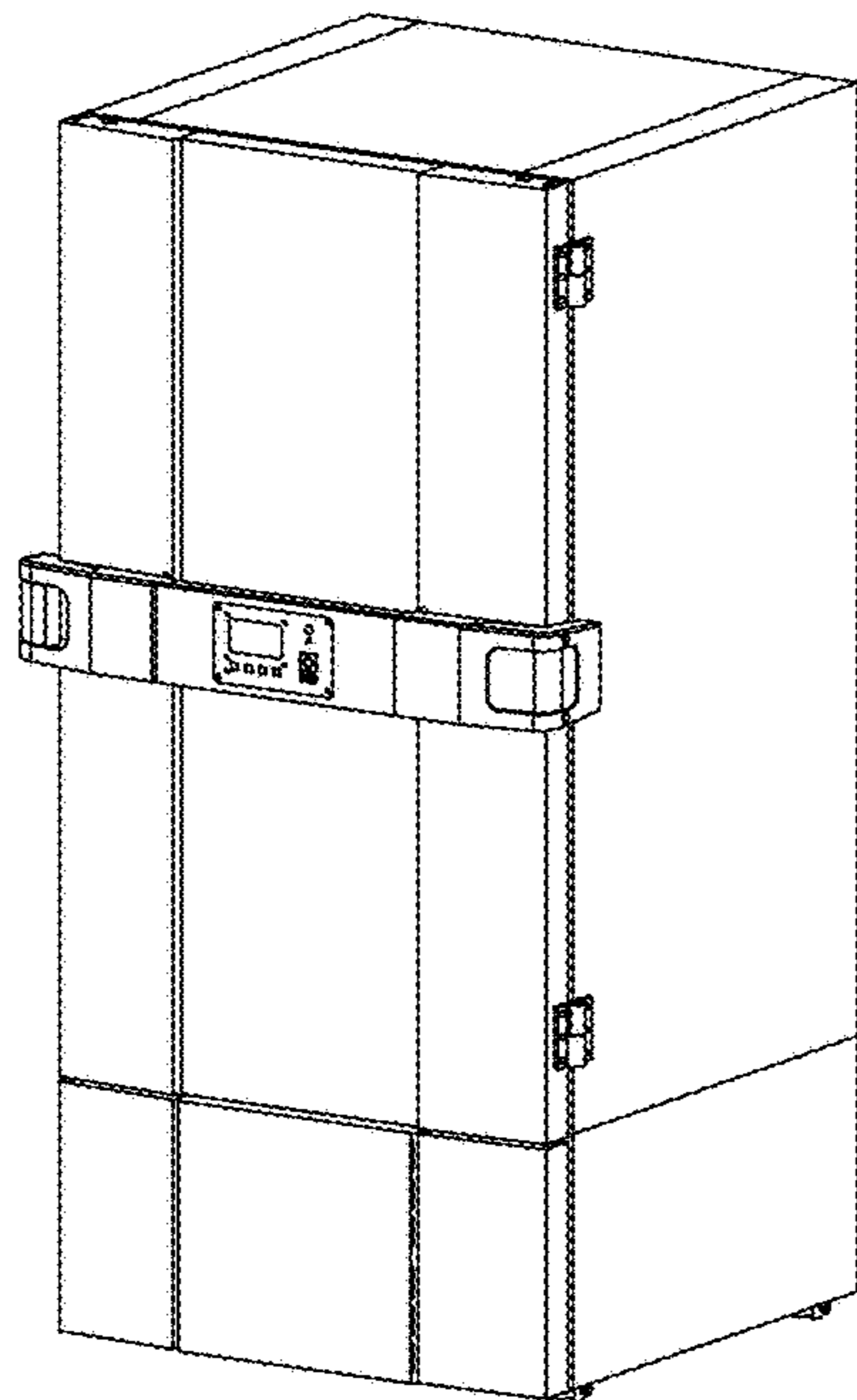


FIG. 2

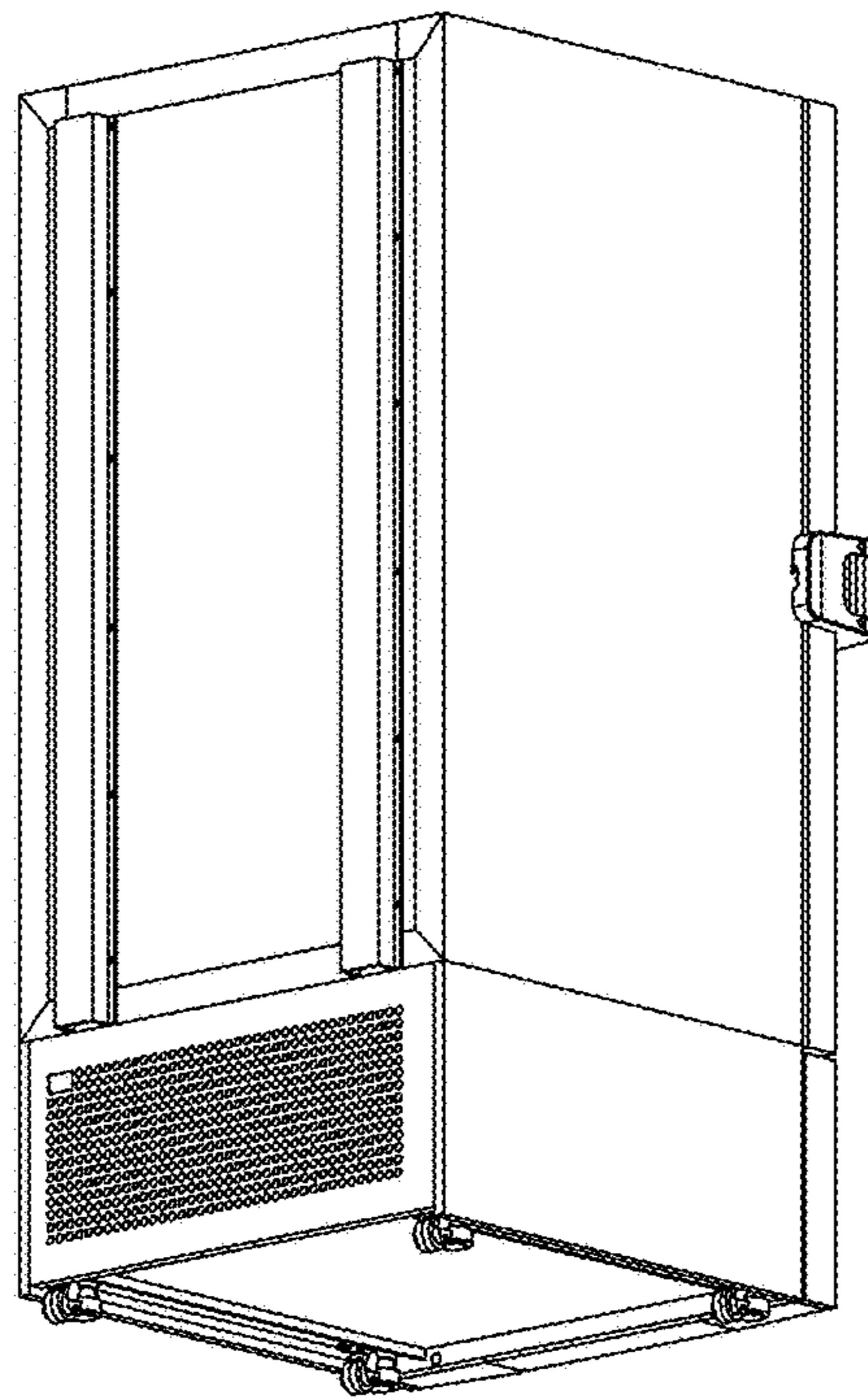


FIG. 3