

US00D866619S

(12) **United States Design Patent** (10) **Patent No.:** **US D866,619 S**
De Clercq et al. (45) **Date of Patent:** **** Nov. 12, 2019**

(54) **REFRIGERATING APPARATUS**

7/10; F02M 7/12; F02M 7/133; F02M 7/17; F02M 9/12; F02M 9/127; F02M 9/14

(71) Applicant: **B Medical Systems S.a.r.l.**, Hosingen (LU)

See application file for complete search history.

(72) Inventors: **Julien De Clercq**, Hosingen (LU); **Stephan Billen**, Hosingen (LU); **Eric Groenendaels**, Hosingen (LU)

(56) **References Cited**

U.S. PATENT DOCUMENTS

(73) Assignee: **B. Medical Systems, S.a.r.l.**, Hosingen (LU)

4,307,581	A	*	12/1981	Reid	F25D 3/08
						62/372
D368,916	S	*	4/1996	Pawlowski	D15/79
D477,335	S	*	7/2003	Upton	D15/79
D491,580	S	*	6/2004	Stoddart	D15/79
D503,785	S	*	4/2005	Otaki	D15/79
D503,971	S	*	4/2005	Otaki	D15/79
D535,452	S	*	1/2007	Lim	D34/19
D595,748	S	*	7/2009	Kratschmer	D15/81
D618,712	S	*	6/2010	Tsuji	D15/79
D618,713	S	*	6/2010	Tsuji	D15/79
D819,091	S	*	5/2018	Neill	D15/81

(**) Term: **15 Years**

* cited by examiner

(21) Appl. No.: **29/626,474**

Primary Examiner — Khawaja Anwar

(22) Filed: **Nov. 17, 2017**

(74) *Attorney, Agent, or Firm* — Jerold I. Schneider; Schneider IP Law

(51) **LOC (12) Cl.** **15-07**

(52) **U.S. Cl.**
USPC **D15/79**

(57) **CLAIM**

(58) **Field of Classification Search**

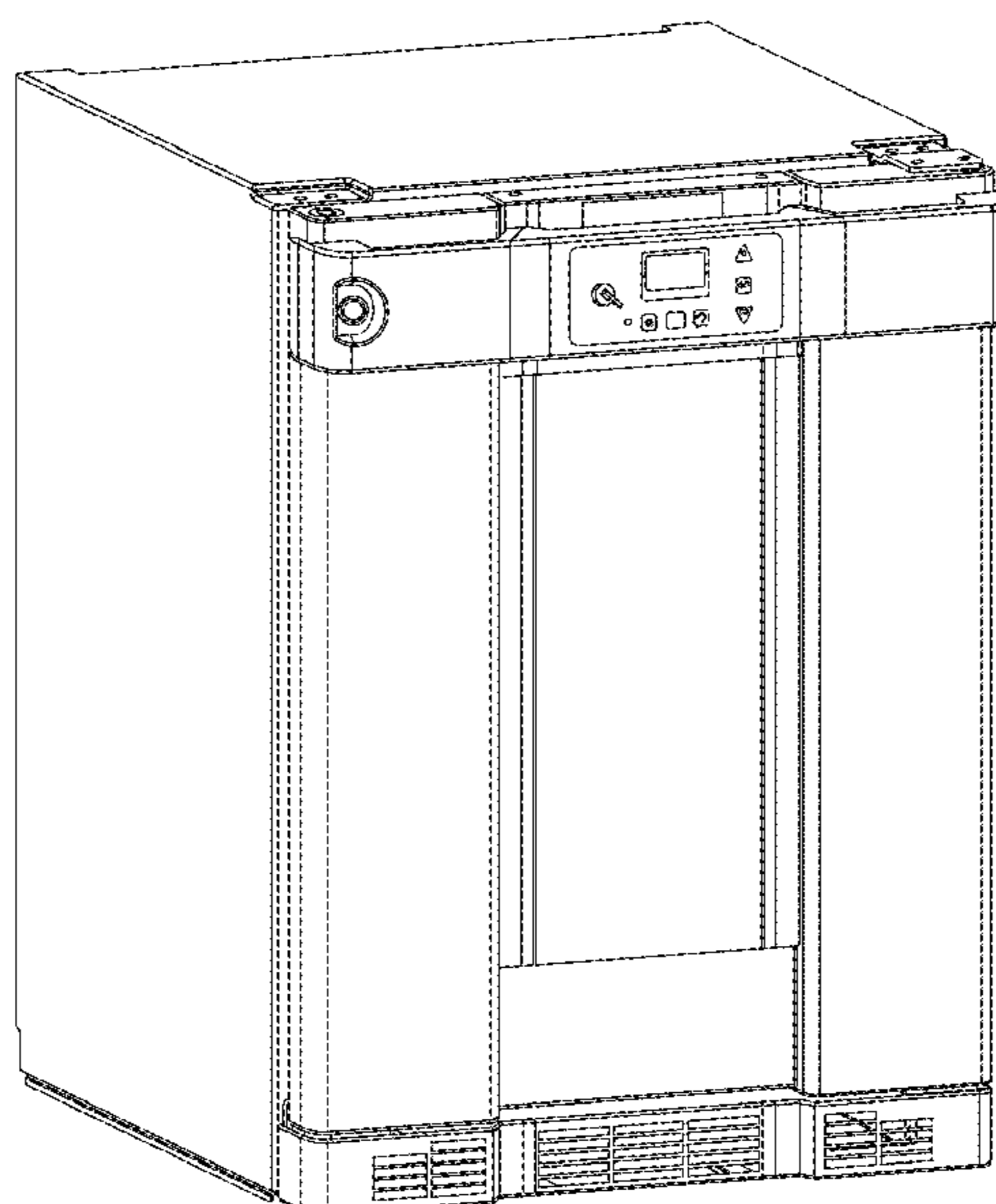
USPC D15/79-91; D23/355, 364, 365, 359; D34/12-27; D24/216-232, 107
CPC F02M 37/18; F02M 3/045; F02M 43/00; F02M 51/04; F02M 51/0614; F02M 53/043; F02M 55/004; F02M 55/008; F02M 57/021; F02M 57/027; F02M 59/025; F02M 59/10; F02M 5/00; F02M 5/12; F02M 5/14; F02M 61/02; F02M 61/045; F02M 61/14; F02M 61/145; F02M 61/18; F02M 61/184; F02M 61/1853; F02M 61/20; F02M 65/003; F02M 69/00; F02M 69/041; F02M 69/043; F02M 69/32; F02M 69/50; F02M

We claim the ornamental design for a refrigerating apparatus, as shown and described.

DESCRIPTION

FIG. 1 is a perspective view of a refrigerating apparatus showing our new design from the Left, Front and Top; FIG. 2 is a view from the Right, Front and Top; and, FIG. 3 is a view from the Right, Rear and Bottom.

1 Claim, 3 Drawing Sheets



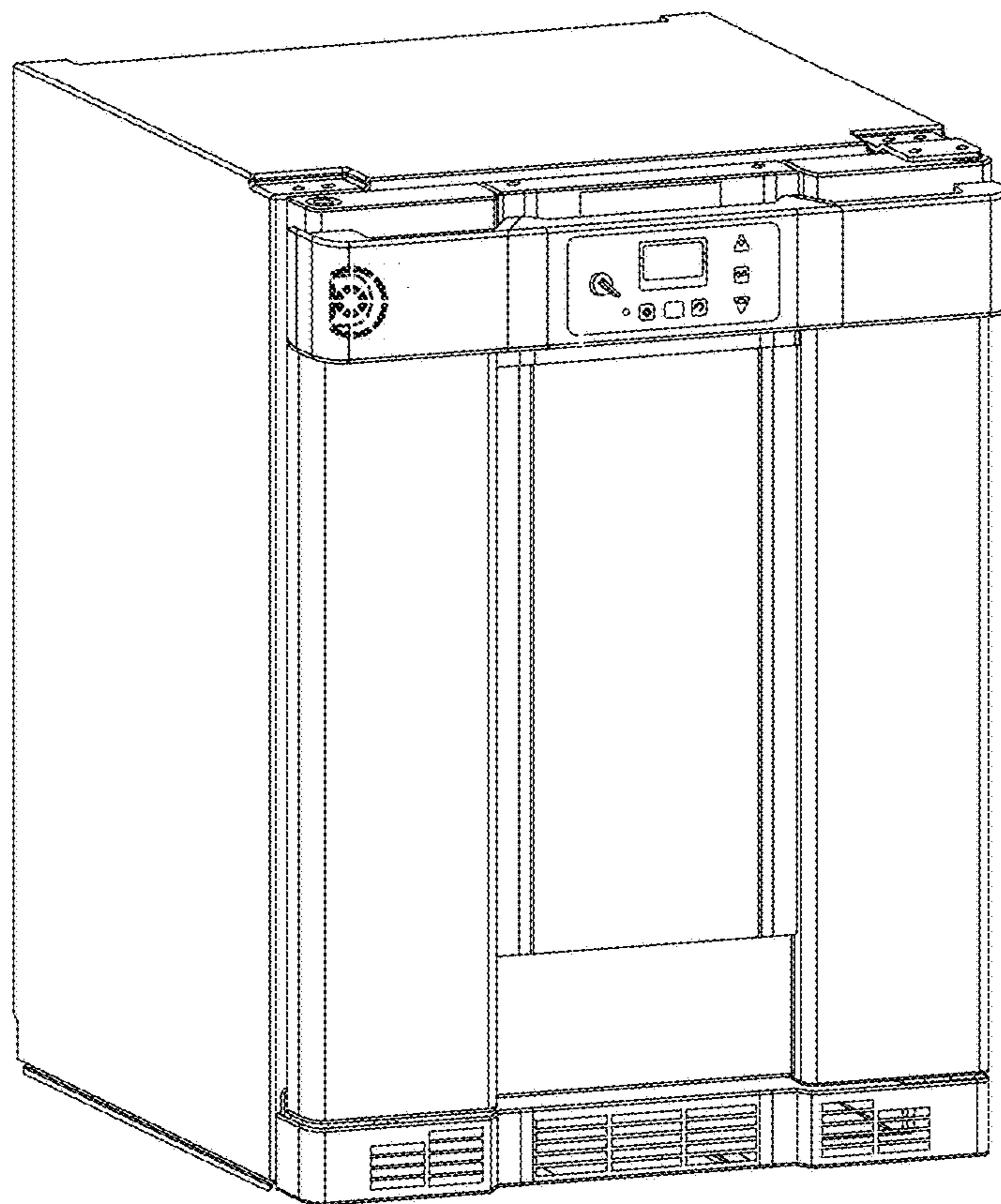


FIG. 1

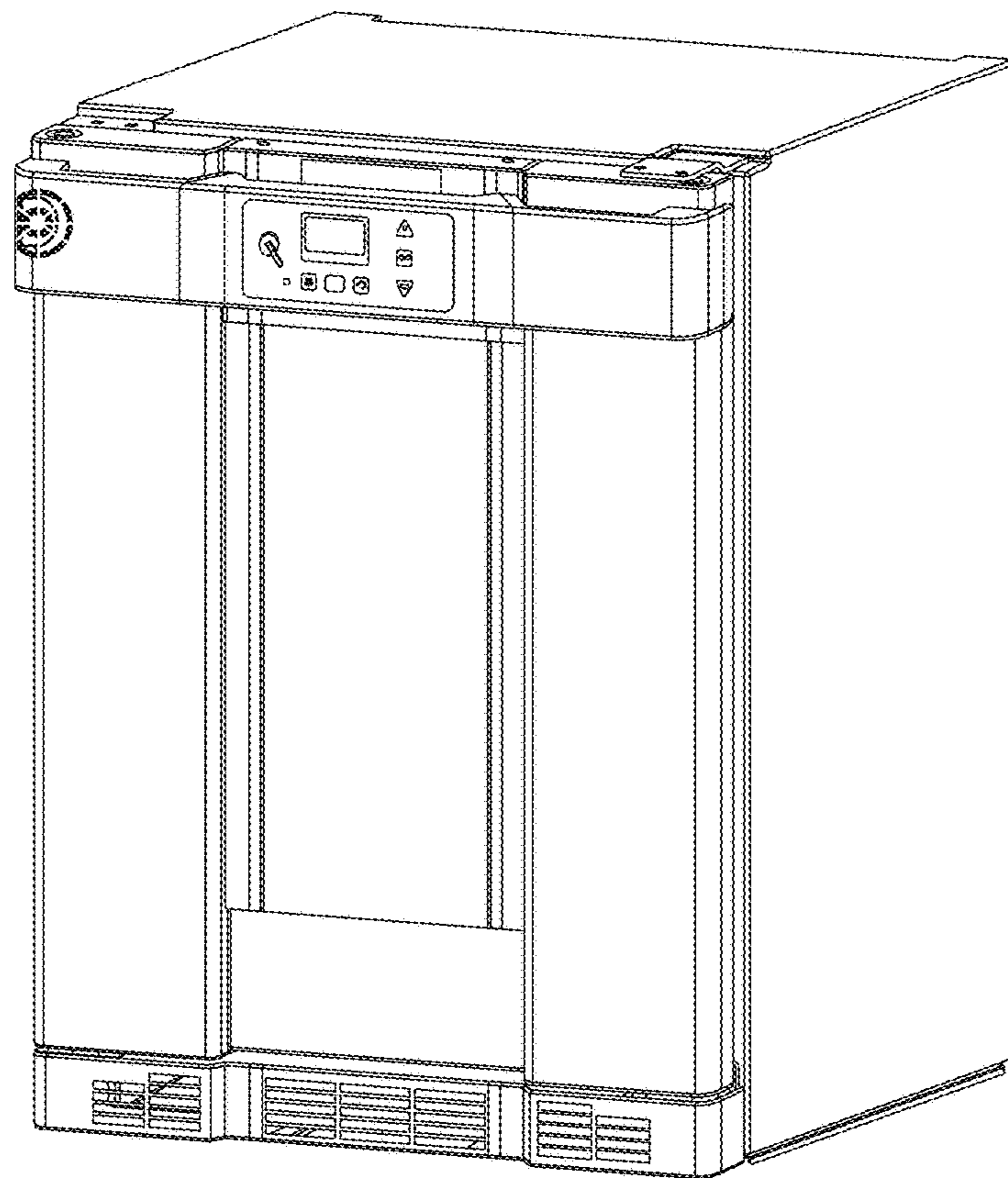


FIG. 2

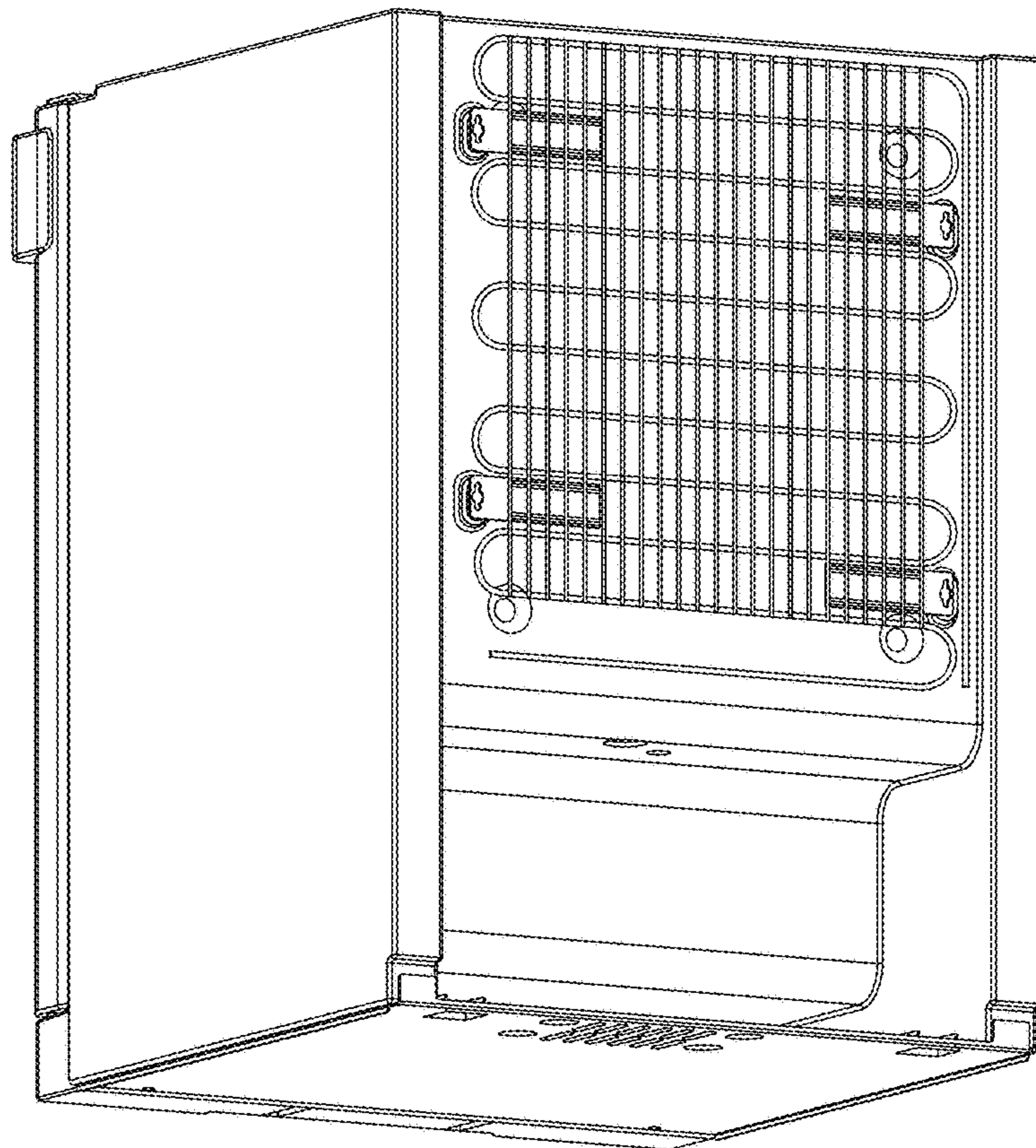


FIG. 3