



US00D866617S

(12) **United States Design Patent**
Jilbert et al.

(10) **Patent No.:** **US D866,617 S**

(45) **Date of Patent:** **** Nov. 12, 2019**

- (54) **EXCAVATOR**
- (71) Applicant: **J.C. BAMFORD EXCAVATORS LIMITED**, Utttoxeter (GB)
- (72) Inventors: **Samuel John Jilbert**, Utttoxeter (GB);
Stewart Dicks, Utttoxeter (GB);
Alexander North, Utttoxeter (GB)
- (73) Assignee: **J.C. BAMFORD EXCAVATORS LIMITED**, Utttoxeter (GB)
- (**) Term: **15 Years**
- (21) Appl. No.: **29/662,662**
- (22) Filed: **Sep. 7, 2018**

- 5,273,340 A * 12/1993 Nelson B62D 33/06
296/190.03
- D348,270 S * 6/1994 Lehmann-Brendel D15/10
- 5,427,185 A * 6/1995 Seal E02F 3/7627
172/197
- D366,267 S * 1/1996 Lepoix D15/30
- D376,604 S * 12/1996 Johnson D15/30
- 5,911,624 A * 6/1999 Stauffer B60H 1/00378
454/158
- D446,225 S * 8/2001 Brandenburg, III D15/30
- D453,023 S * 1/2002 Kaneko D15/21
- D455,763 S * 4/2002 Brandenburg, III D15/30
- D463,461 S * 9/2002 Yanagida D15/30
- D463,462 S * 9/2002 Yanagida D15/30
- D464,662 S * 10/2002 Dahl D15/33
- D479,536 S * 9/2003 Dahl D15/30
- D481,044 S * 10/2003 Tokach D15/30
- D497,920 S * 11/2004 Antonetti D15/30
- D531,646 S * 11/2006 McCarren, Jr. D15/30
- D533,569 S * 12/2006 Mursch D15/28

(Continued)

(30) **Foreign Application Priority Data**

Mar. 18, 2018 (EM) 004754265

(51) **LOC (12) Cl.** **15-03**

(52) **U.S. Cl.**
USPC **D15/30**

(58) **Field of Classification Search**
USPC D15/10, 22-26, 28, 30; 180/89.1, 89.12,
180/89.13, 900, 9.1, 9.2, 9.62; 37/379;
414/694, 699, 722-724, 660, 685, 698,
414/719, 743

CPC E02F 3/32; E02F 3/76; E02F 3/40; E02F
9/163

See application file for complete search history.

(56) **References Cited**

U.S. PATENT DOCUMENTS

- D272,071 S * 1/1984 Baconet D15/30
- D297,329 S * 8/1988 Monehaie D15/30
- D304,589 S * 11/1989 Lanphere D15/30
- D321,517 S * 11/1991 Katoh D15/30

Primary Examiner — Mark A Goodwin

(74) *Attorney, Agent, or Firm* — Marshall, Gerstein &
Borun LLP

(57) **CLAIM**

The ornamental design for an excavator, as shown and described.

DESCRIPTION

FIG. 1 is a rear, left-side, and top view of an excavator, showing the new design.

FIG. 2 is a right-side elevation view of the excavator.

FIG. 3 is a top plan view of the excavator.

FIG. 4 is an enlarged front elevation view of the excavator.

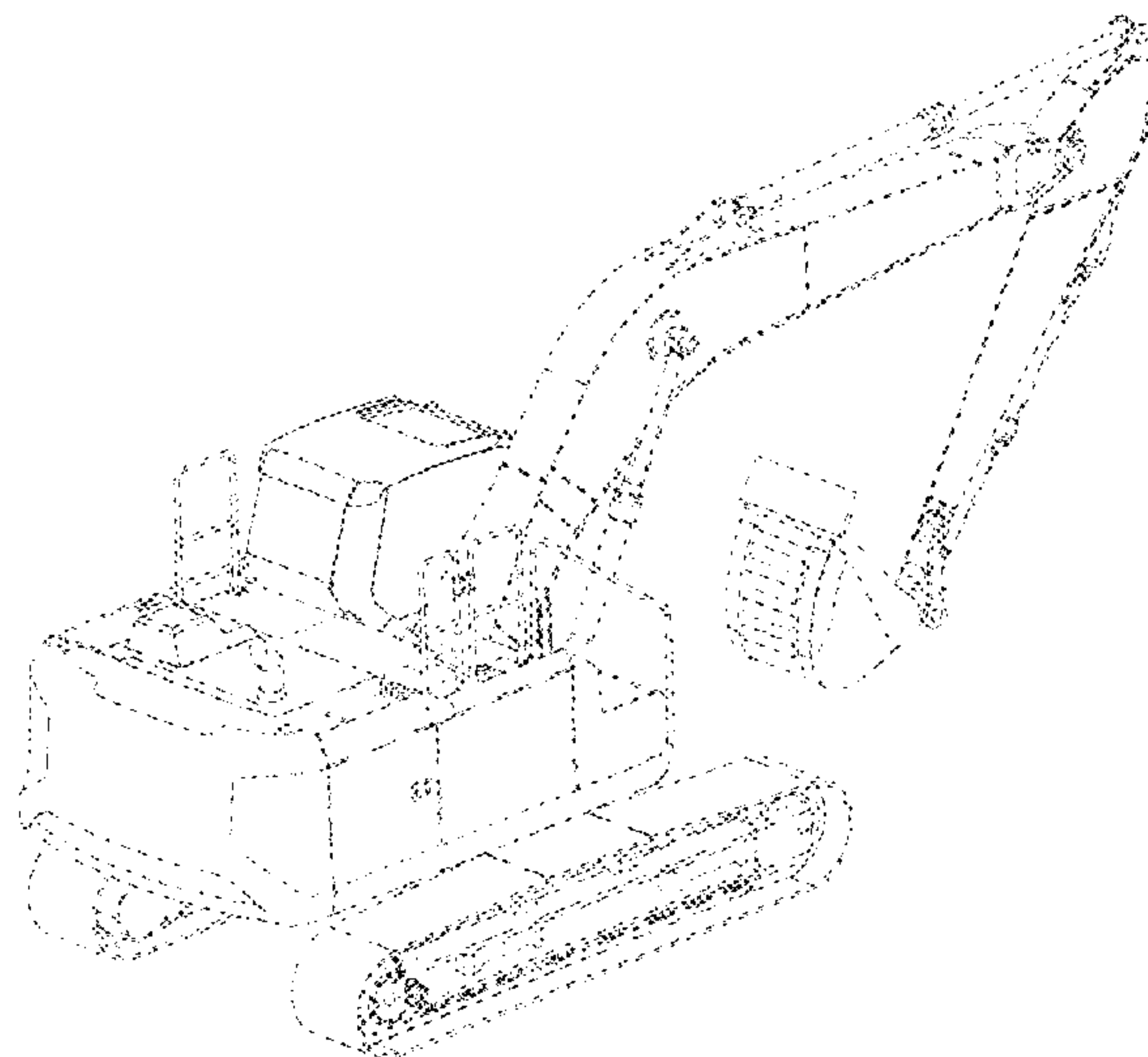
FIG. 5 is an enlarged rear elevation view of the excavator.

FIG. 6 is a left-side elevation view of the excavator; and,

FIG. 7 is a bottom plan view of the excavator.

The broken lines depict portions of the excavator that form no part of the claimed design.

1 Claim, 7 Drawing Sheets



(56)

References Cited

U.S. PATENT DOCUMENTS

D534,927	S	*	1/2007	Mursch	D15/28
D541,826	S	*	5/2007	Brush	D15/30
D549,245	S	*	8/2007	Antonetti	D15/30
D594,480	S	*	6/2009	Gicquel	D15/30
D614,674	S	*	4/2010	Hobenshield	D15/30
D625,741	S	*	10/2010	Seidel	D15/30
D636,795	S	*	4/2011	Yamamoto	D15/28
D637,630	S	*	5/2011	Yamamoto	D15/30
D642,205	S	*	7/2011	Yamamoto	D15/30
D653,173	S	*	1/2012	Dolesh	D12/96
D654,400	S	*	2/2012	Dolesh	D12/96
D660,881	S	*	5/2012	Bohme	D15/30
D668,693	S	*	10/2012	Ringer	D15/30
D671,566	S	*	11/2012	Fang	D15/30
D684,607	S	*	6/2013	Hagura	D15/30
D687,868	S	*	8/2013	Watson	D15/30
D691,924	S	*	10/2013	Smith	D12/96
D707,728	S	*	6/2014	Imashige	D15/30
D714,837	S	*	10/2014	Jacobsthal	D15/30
D720,370	S	*	12/2014	Carter	D15/30
D749,649	S	*	2/2016	McAdam	D15/30
D751,123	S	*	3/2016	Kzakoff	D15/30
D762,248	S	*	7/2016	Steinhardt	D15/30
D773,537	S	*	12/2016	Fiser	D15/30
D774,111	S	*	12/2016	Underhill	D15/30
D774,112	S	*	12/2016	Fiser	D15/30
D775,244	S	*	12/2016	Hart	D15/30
D780,231	S	*	2/2017	Saari	D15/30
D780,232	S	*	2/2017	Saari	D15/30
D780,235	S	*	2/2017	Kim	D15/30
D784,425	S	*	4/2017	Cooksey	D15/30
D835,160	S	*	12/2018	Jilbert	D15/25
D849,062	S	*	5/2019	Jilbert	D15/25

* cited by examiner

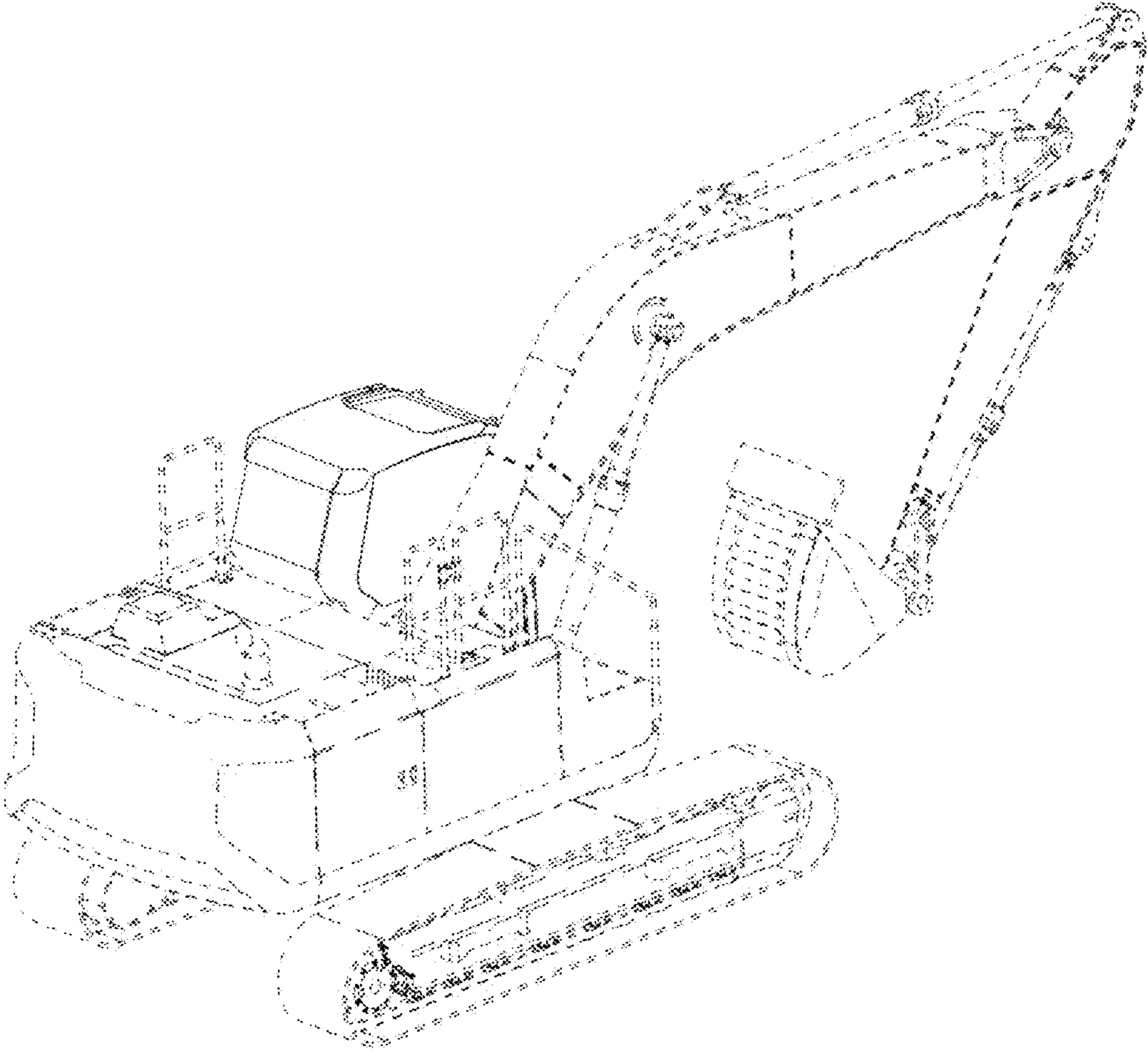


Fig. 1

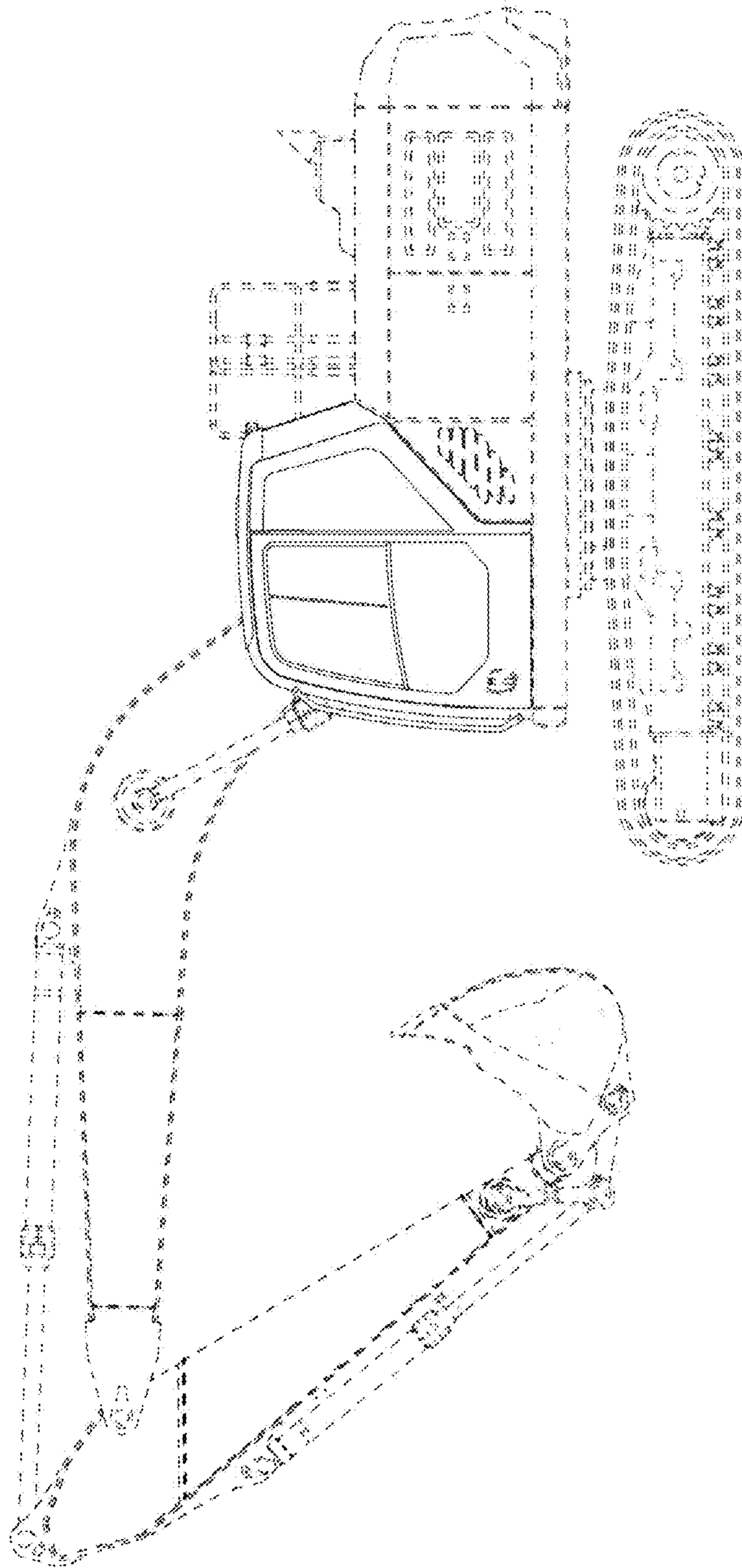


Fig. 2

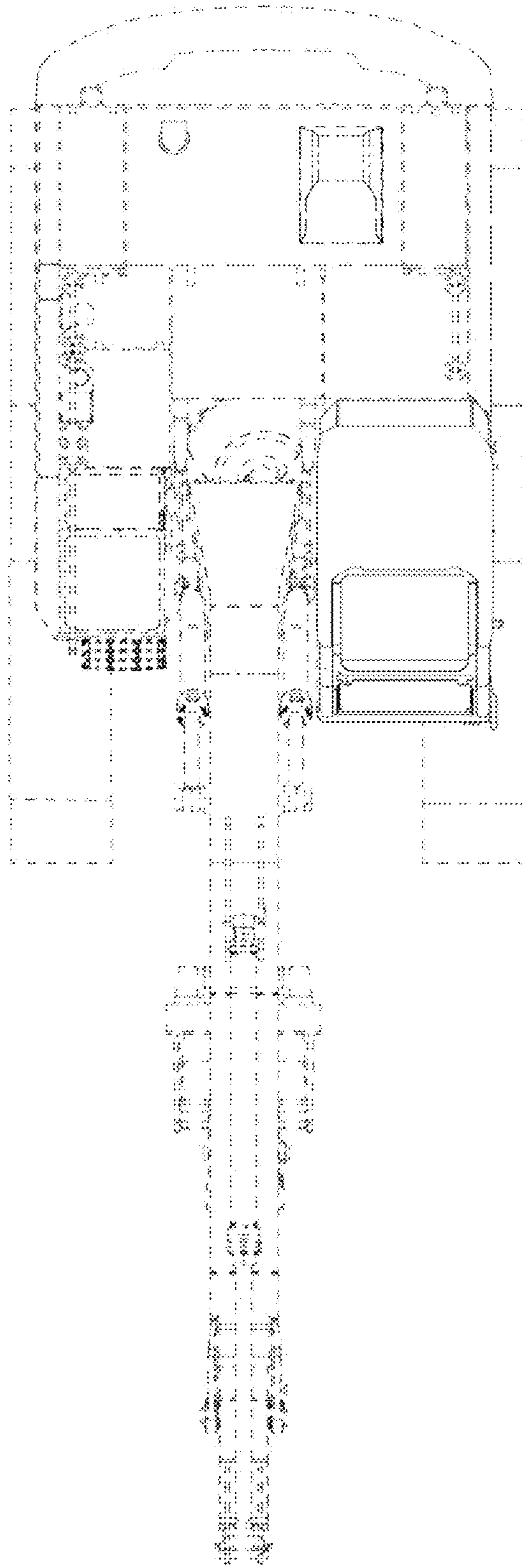


Fig. 3

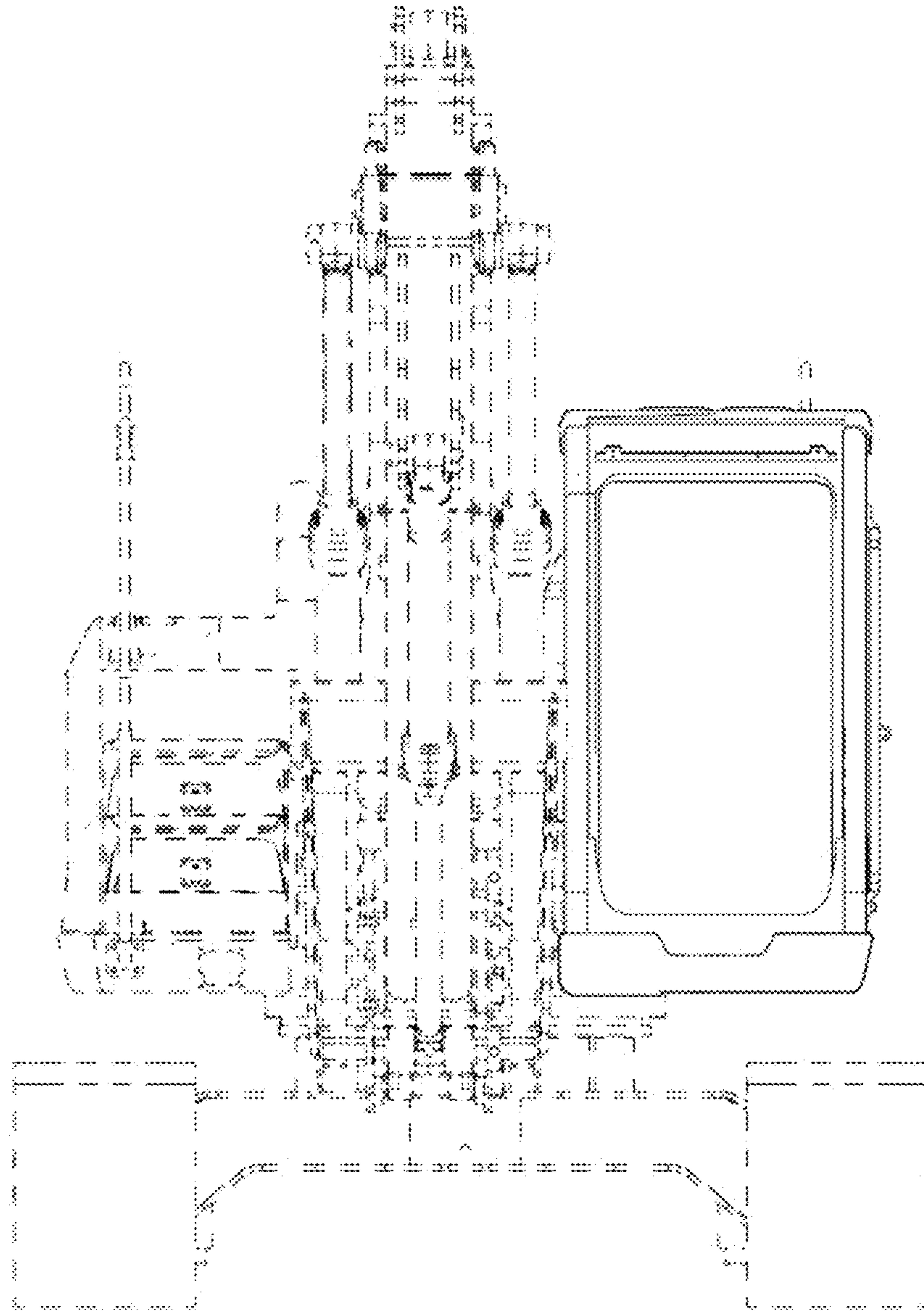


Fig. 4

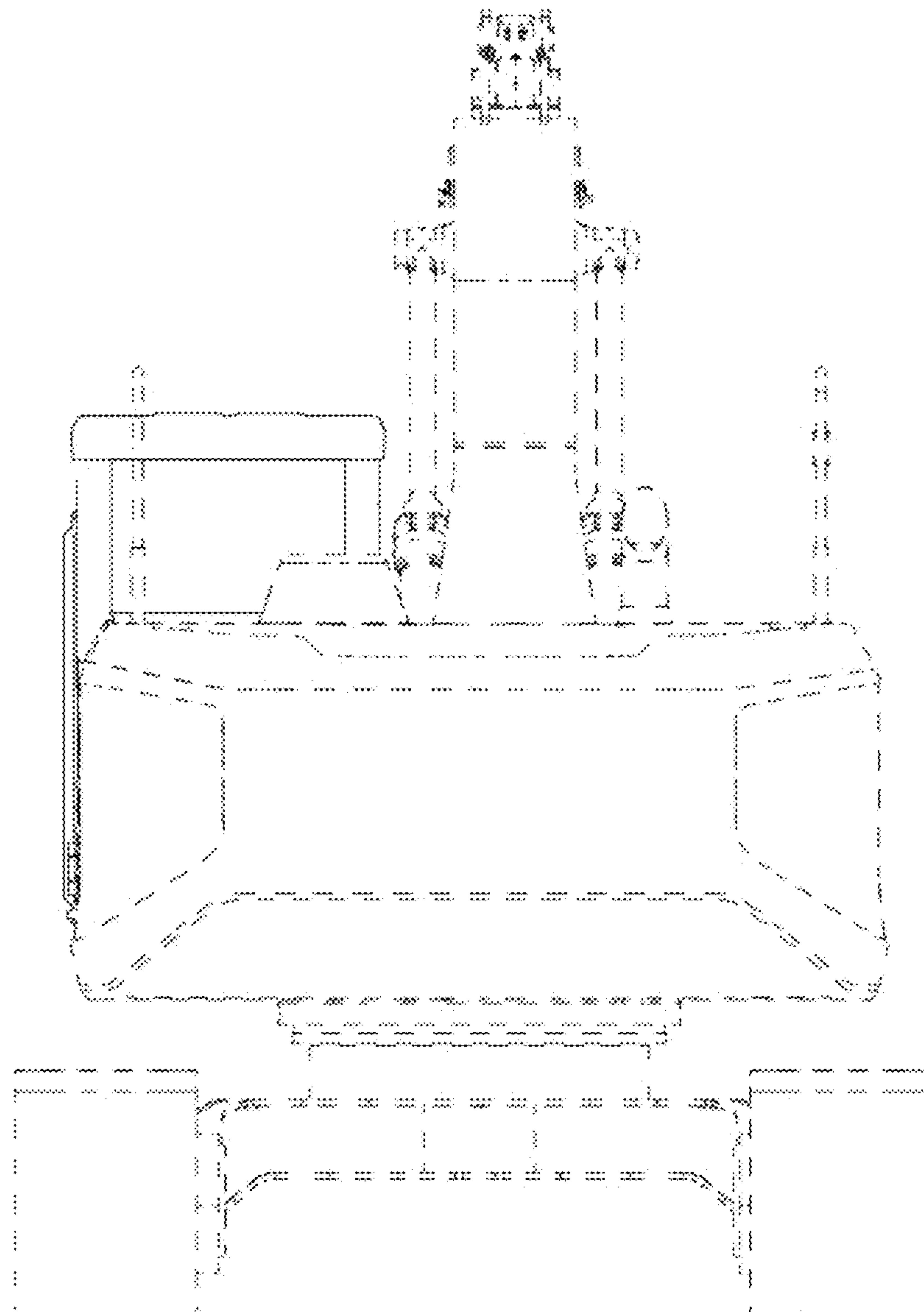


Fig. 5

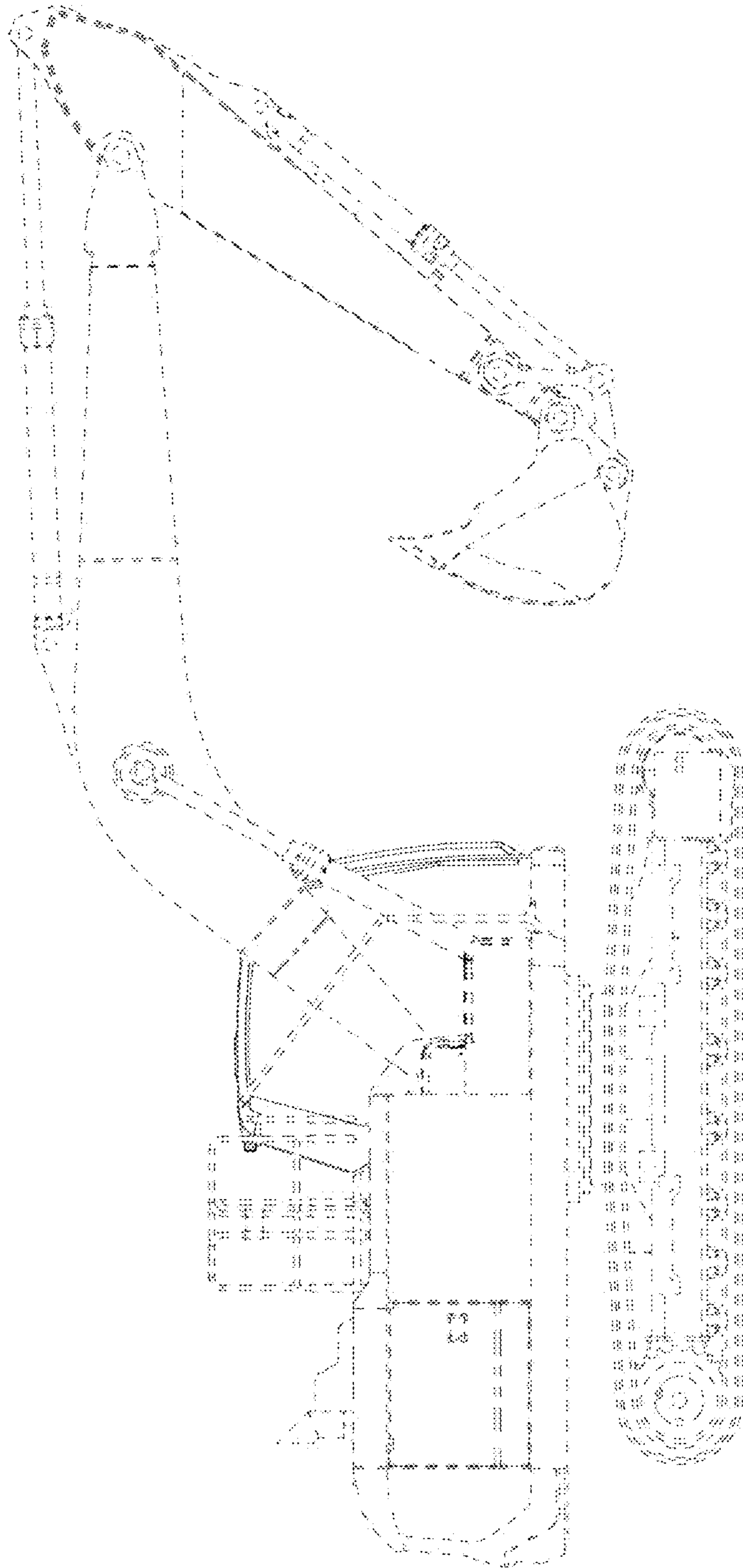


Fig. 6

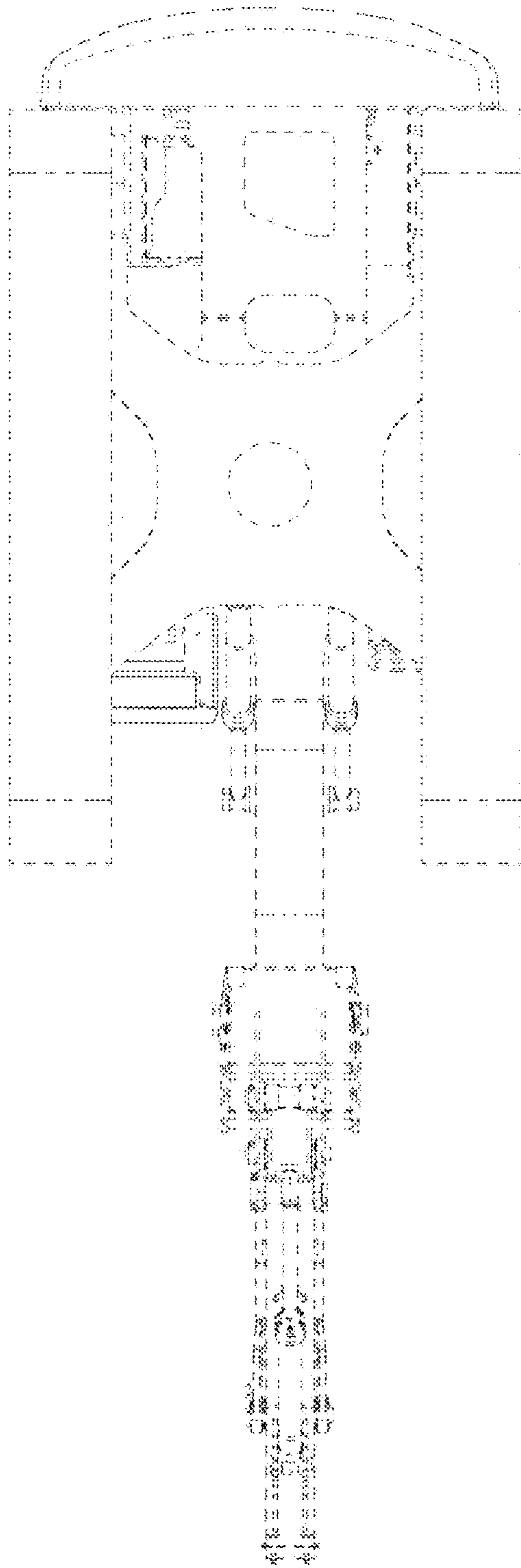


Fig. 7