



US00D866614S

(12) **United States Design Patent**  
**Jilbert et al.**

(10) **Patent No.:** **US D866,614 S**

(45) **Date of Patent:** **\*\* Nov. 12, 2019**

(54) **EXCAVATOR**

(71) Applicant: **J.C. BAMFORD EXCAVATORS LIMITED**, Uttoxeter (GB)

(72) Inventors: **Samuel John Jilbert**, Uttoxeter (GB);  
**Stewart Dicks**, Uttoxeter (GB);  
**Alexander North**, Uttoxeter (GB)

(73) Assignee: **J.C. BAMFORD EXCAVATORS LIMITED**, Uttoxeter (GB)

(\*\*) Term: **15 Years**

(21) Appl. No.: **29/662,670**

(22) Filed: **Sep. 7, 2018**

(30) **Foreign Application Priority Data**

Jun. 4, 2018 (EM) ..... 004754265-0009

(51) **LOC (12) Cl.** ..... **12-09**

(52) **U.S. Cl.**  
USPC ..... **D15/22; D15/33**

(58) **Field of Classification Search**  
USPC ..... D15/10, 22-26, 28, 30; 180/89.1, 89.12,  
180/89.13, 900, 9.1, 9.2, 9.62; 37/379;  
414/694, 699, 722-724, 660, 685, 698,  
414/719, 743  
CPC ..... E02F 3/32; E02F 3/76; E02F 3/40; E02F  
9/163  
See application file for complete search history.

(56) **References Cited**

**U.S. PATENT DOCUMENTS**

D272,071 S \* 1/1984 Baconet ..... D15/30  
D348,270 S \* 6/1994 Lehmann-Brendel ..... D15/10  
D391,272 S \* 2/1998 Jin ..... D15/24  
D437,602 S \* 2/2001 Hiraoka ..... D15/25

D446,225 S \* 8/2001 Brandenburg, III ..... D15/30  
D460,975 S \* 7/2002 Yanagida ..... D15/25  
D462,974 S \* 9/2002 Yanagida ..... D15/25  
D481,044 S \* 10/2003 Tokach ..... D15/30  
D497,920 S \* 11/2004 Antonetti ..... D15/30  
D534,552 S \* 1/2007 Yanagida ..... D15/25  
D614,674 S \* 4/2010 Hobenshield ..... D15/30  
D658,211 S \* 4/2012 Hiraoka ..... D15/25  
D663,324 S \* 7/2012 Fuchita ..... D15/25  
D663,751 S \* 7/2012 Yogita ..... D15/25  
D677,703 S \* 3/2013 Hiraoka ..... D15/25  
D678,354 S \* 3/2013 Hiraoka ..... D15/25  
D682,322 S \* 5/2013 Suzuki ..... D15/25  
D684,598 S \* 6/2013 Hagura ..... D15/24  
D685,394 S \* 7/2013 Nagata ..... D15/24  
D695,791 S \* 12/2013 Hagura ..... D15/25  
D707,261 S \* 6/2014 Caboret ..... D15/24  
8,820,457 B2 \* 9/2014 Nishimura ..... E02F 9/0858  
180/89.13  
D715,330 S \* 10/2014 Hutchinson ..... D15/22

(Continued)

*Primary Examiner* — Mark A Goodwin

(74) *Attorney, Agent, or Firm* — Marshall, Gerstein & Borun LLP

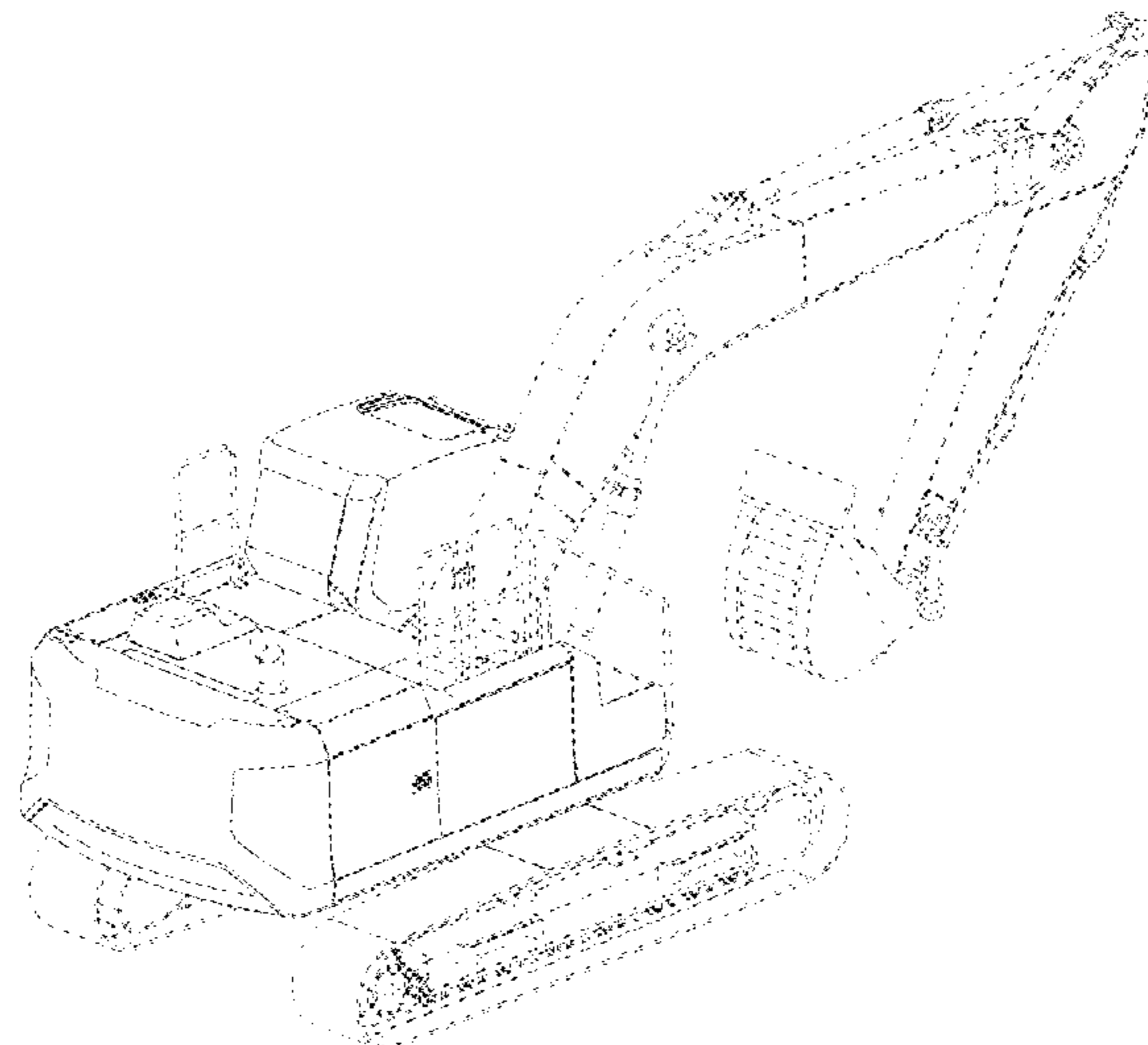
(57) **CLAIM**

The ornamental design for an excavator, as shown and described.

**DESCRIPTION**

FIG. 1 is a rear, left-side, and top view of an excavator, showing the new design.  
FIG. 2 is a right-side elevation view of the excavator.  
FIG. 3 is a top plan view of the excavator.  
FIG. 4 is an enlarged rear elevation view of the excavator.  
FIG. 5 is an enlarged front elevation view of the excavator.  
FIG. 6 is a left-side elevation view of the excavator; and,  
FIG. 7 is a bottom plan view of the excavator.  
The broken lines depict elements of the excavator that do not form part of the claimed design.

**1 Claim, 7 Drawing Sheets**



(56)

**References Cited**

U.S. PATENT DOCUMENTS

D728,639	S	*	5/2015	Payne	.....	D15/31
D749,150	S	*	2/2016	Payne	.....	D15/31
D750,672	S	*	3/2016	Payne	.....	D15/25
D759,127	S	*	6/2016	Higuchi	.....	D15/24
D774,112	S	*	12/2016	Fiser	.....	D15/30
10,167,610	B2	*	1/2019	Kurosaka	.....	E02F 9/00
D854,054	S	*	7/2019	Hirasawa	.....	D15/22

\* cited by examiner

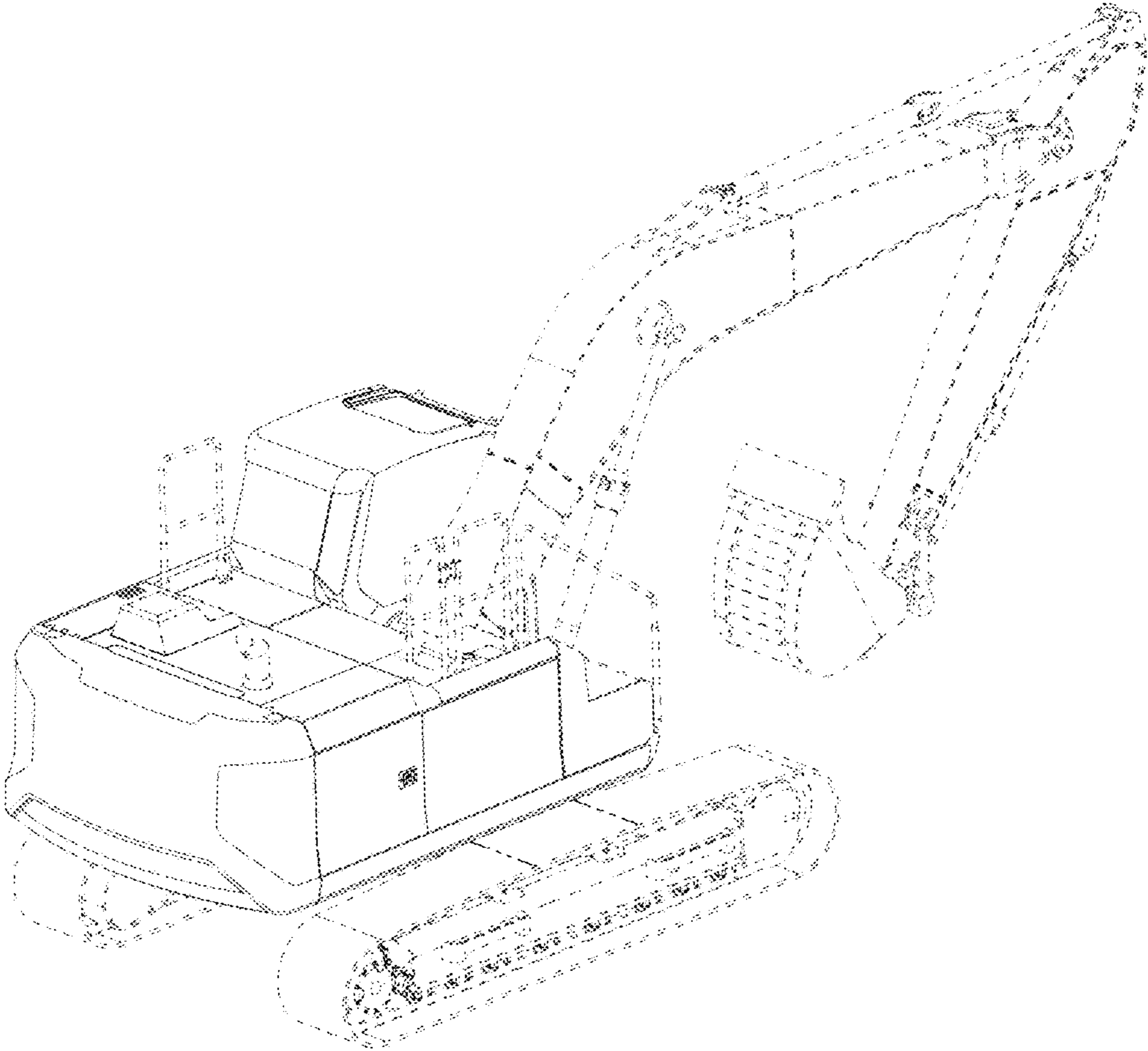


Fig. 1

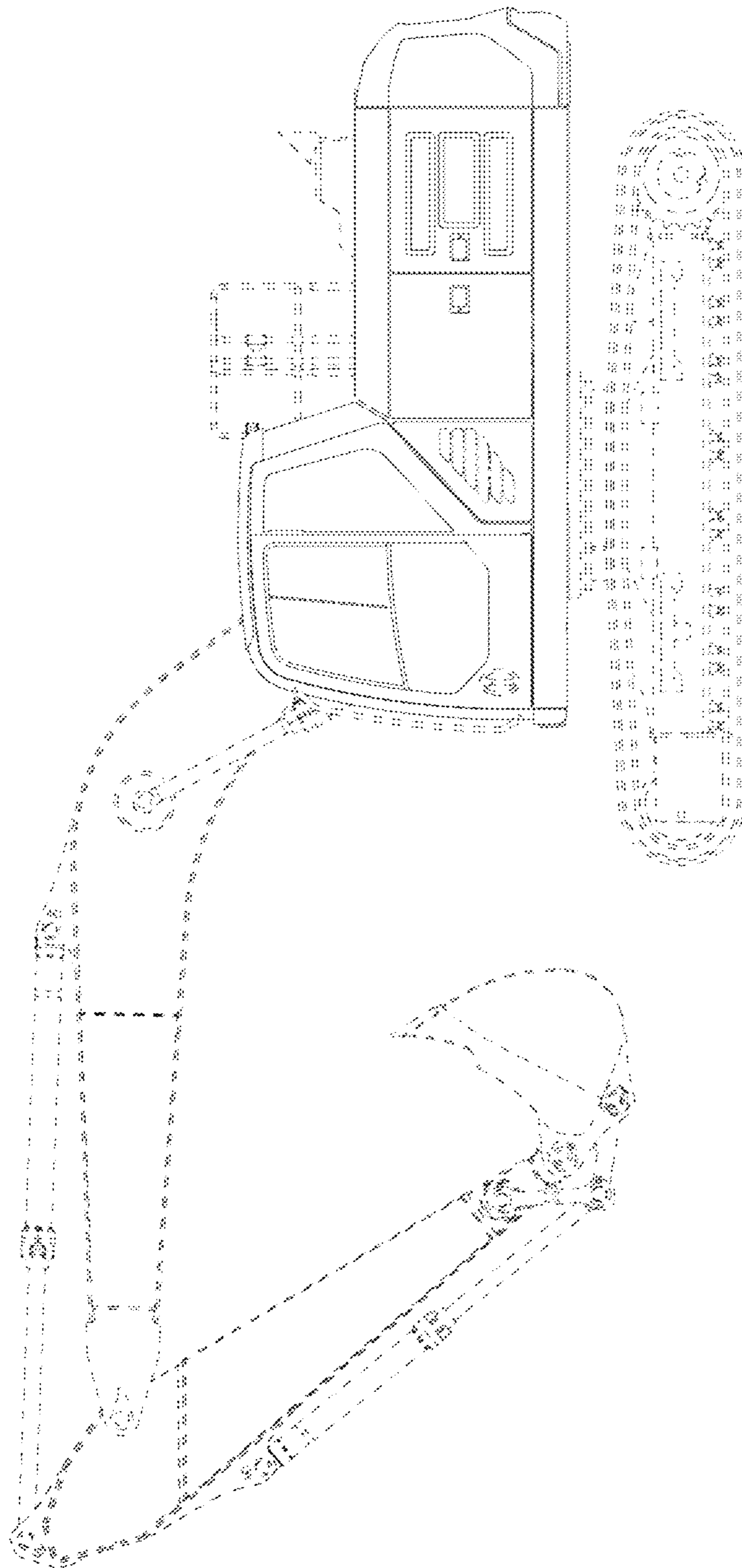


Fig. 2

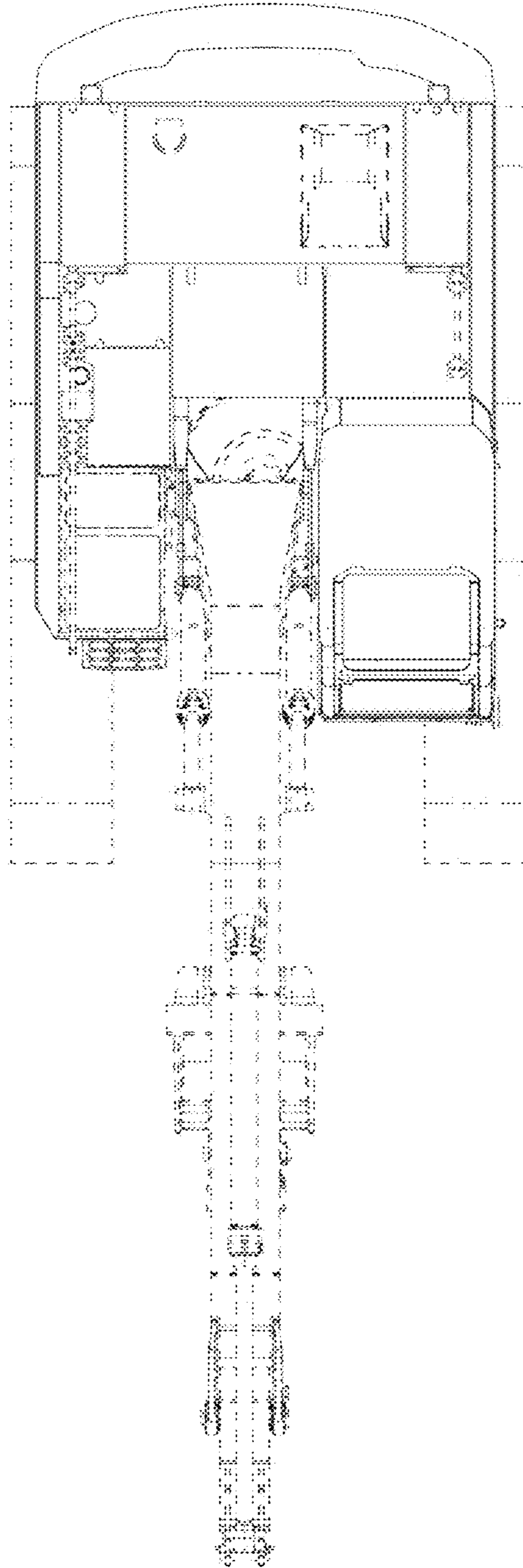


Fig. 3

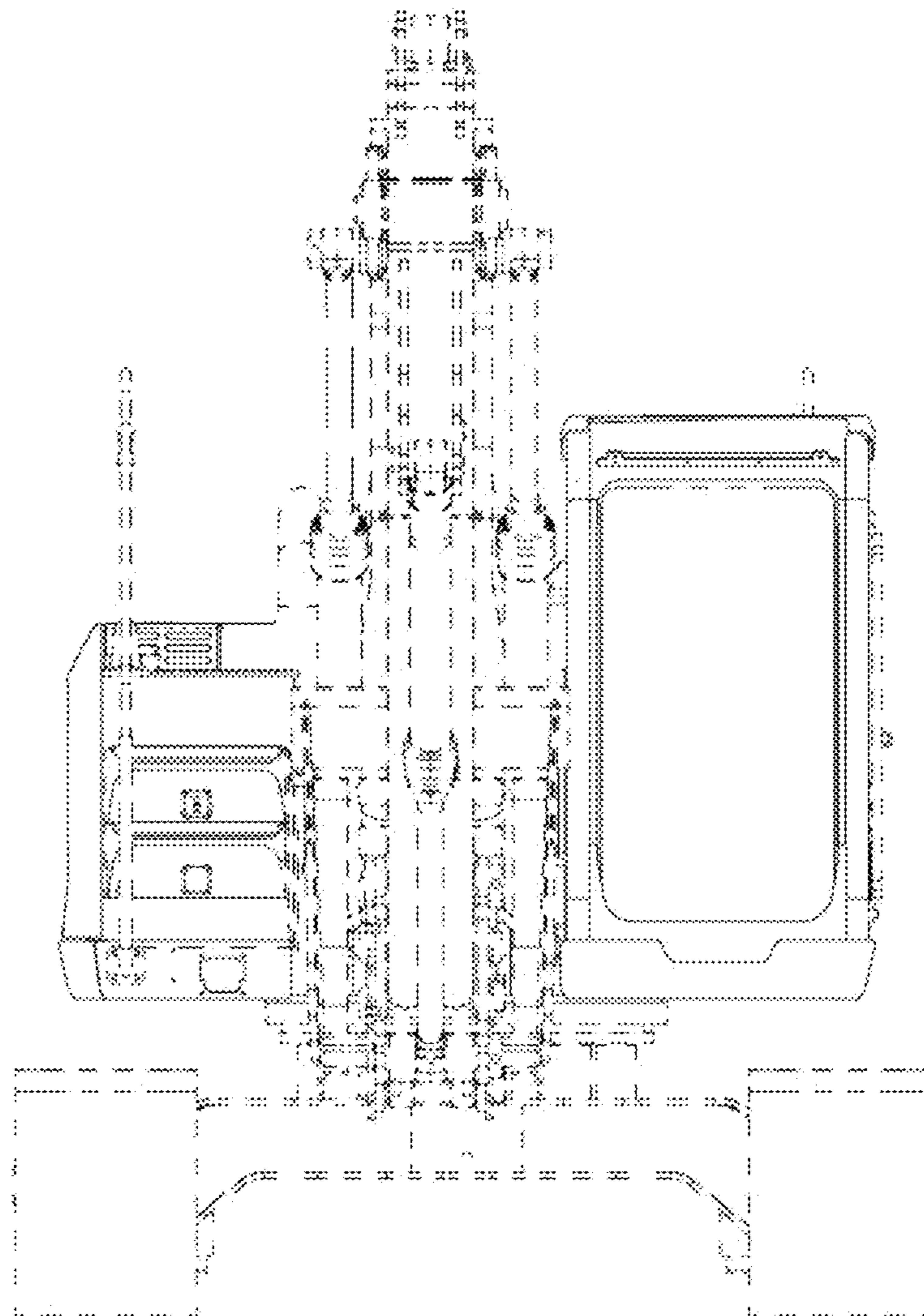


Fig. 4

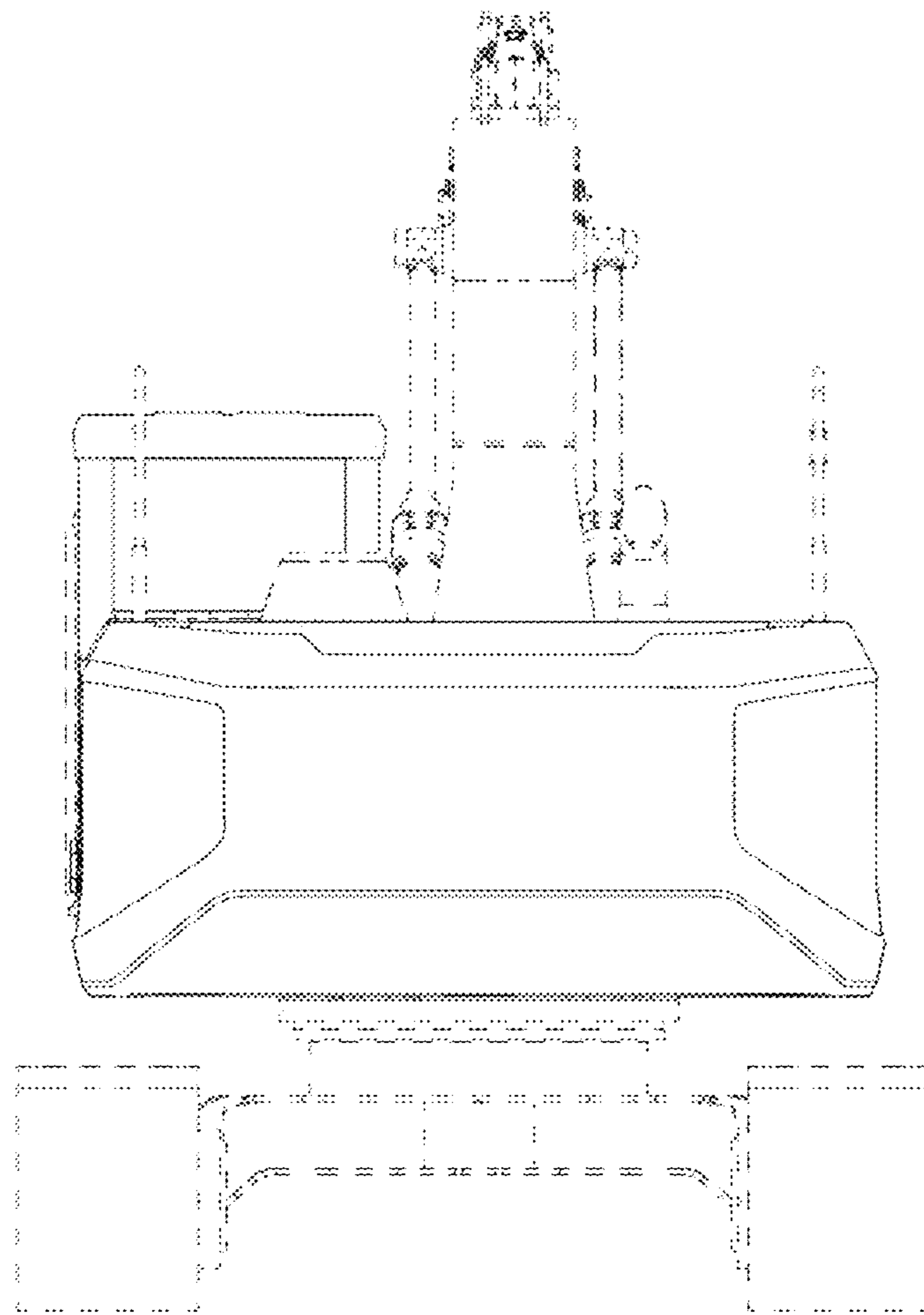


Fig. 5

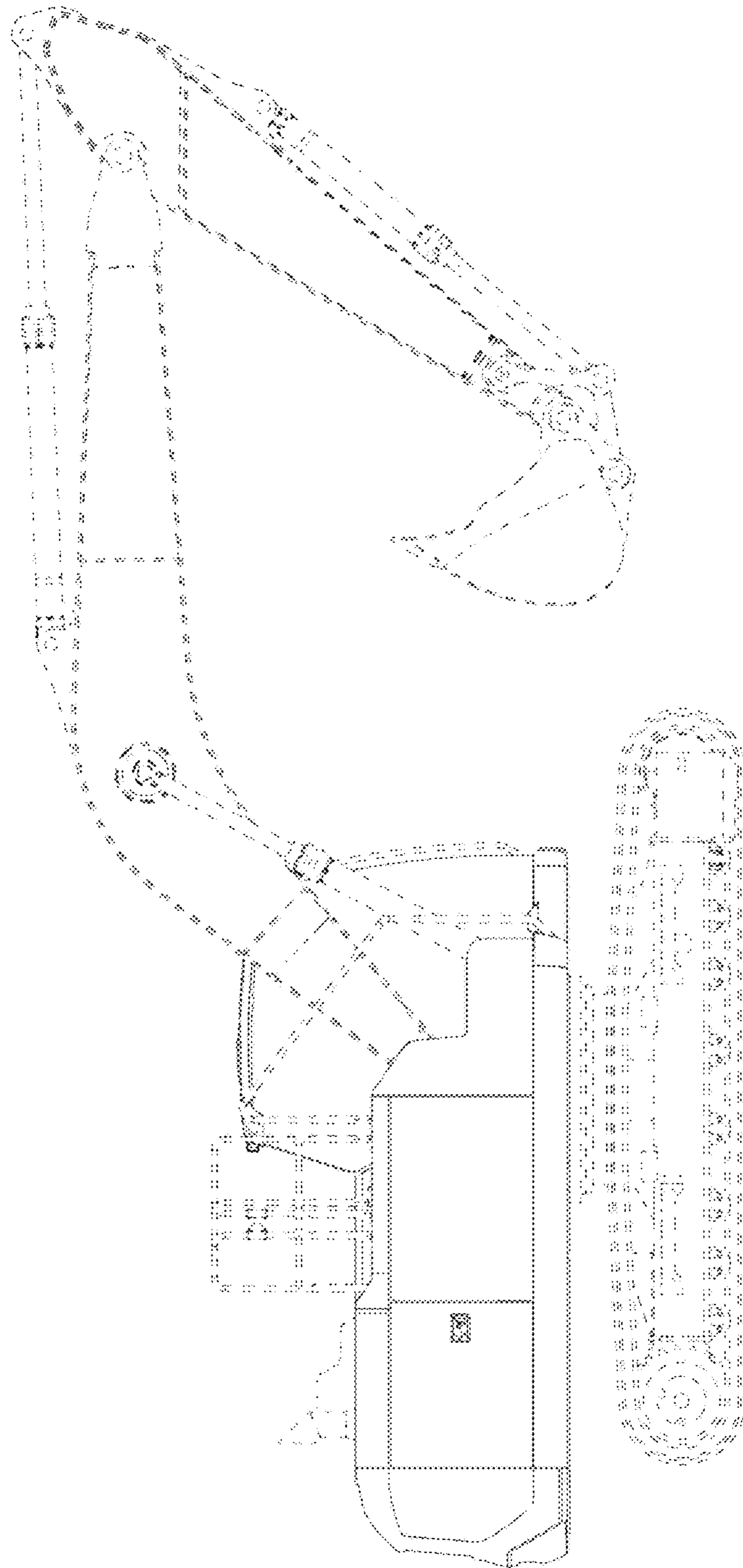


Fig. 6



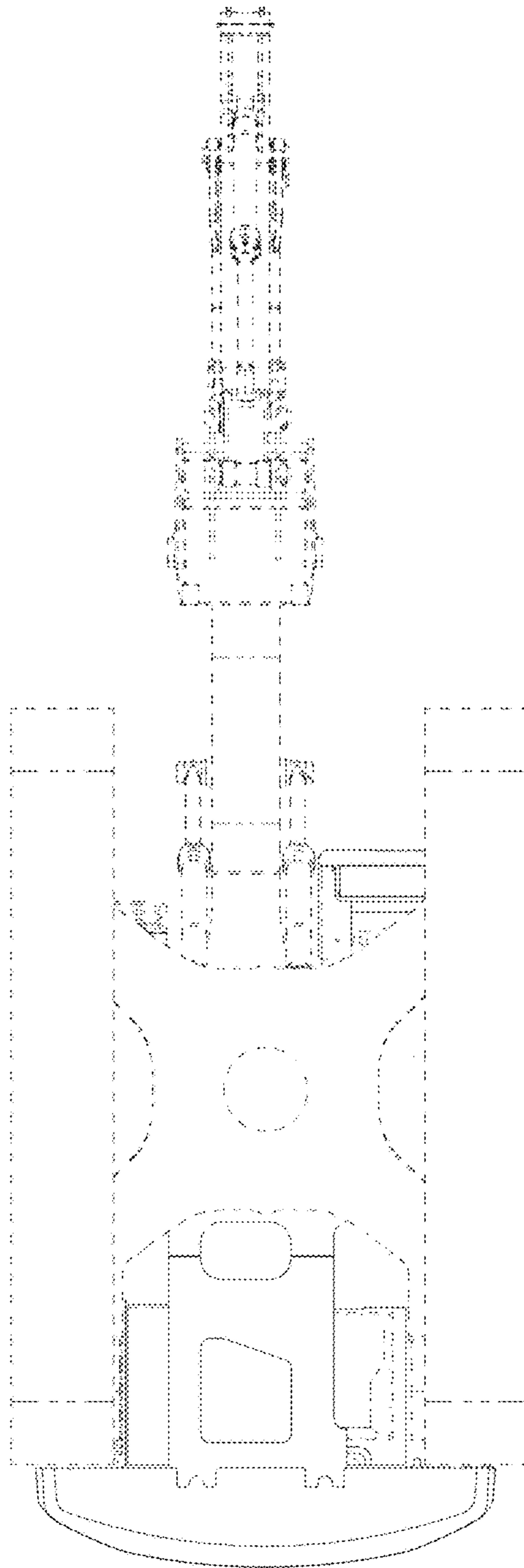


Fig. 7