



US00D866612S

(12) **United States Design Patent**
Long

(10) **Patent No.:** **US D866,612 S**

(45) **Date of Patent:** **** Nov. 12, 2019**

- (54) **REAR ENGINE RIDING MOWER**
- (71) Applicant: **Warren Russell Long**, Batesville, AR (US)
- (72) Inventor: **Warren Russell Long**, Batesville, AR (US)
- (**) Term: **15 Years**
- (21) Appl. No.: **29/664,321**
- (22) Filed: **Sep. 24, 2018**
- (51) **LOC (12) Cl.** **15-03**
- (52) **U.S. Cl.**
USPC **D15/15**
- (58) **Field of Classification Search**
USPC D15/28, 22-26, 14-18, 31, 33; D12/181, D12/184, 196; 296/198; 280/160, 847, 280/154, 854; 180/68.1, 900, 69.21, 180/69.22, 69.23, 69.24, 69.25, 89.1, 180/69.2, 89.12, 89.19, 273, 68.6; 56/16.1, 13.3, 15.9, 16.7, 17.4, 202, 255, 56/320.1, 13.4, 15.8, 294, 320.2
CPC .. B62D 25/161; B62D 25/168; B62D 25/182; B62D 25/18; B62D 25/16
See application file for complete search history.

D486,160 S *	2/2004	Higashikawa	D15/15
D495,718 S *	9/2004	Higashikawa	D15/15
D538,302 S *	3/2007	Higashikawa	D15/15
D626,572 S *	11/2010	Moriguchi	D15/15
D655,316 S *	3/2012	Moriguchi	D15/15
D674,816 S *	1/2013	Higashikawa	D15/15
D681,685 S *	5/2013	Higashikawa	D15/15
D715,329 S *	10/2014	Higashikawa	D15/15
D789,423 S *	6/2017	Shi	D15/15

* cited by examiner

Primary Examiner — Mark A Goodwin

(74) *Attorney, Agent, or Firm* — Keisling & Pieper PLC; Trent C. Keisling

(57) **CLAIM**

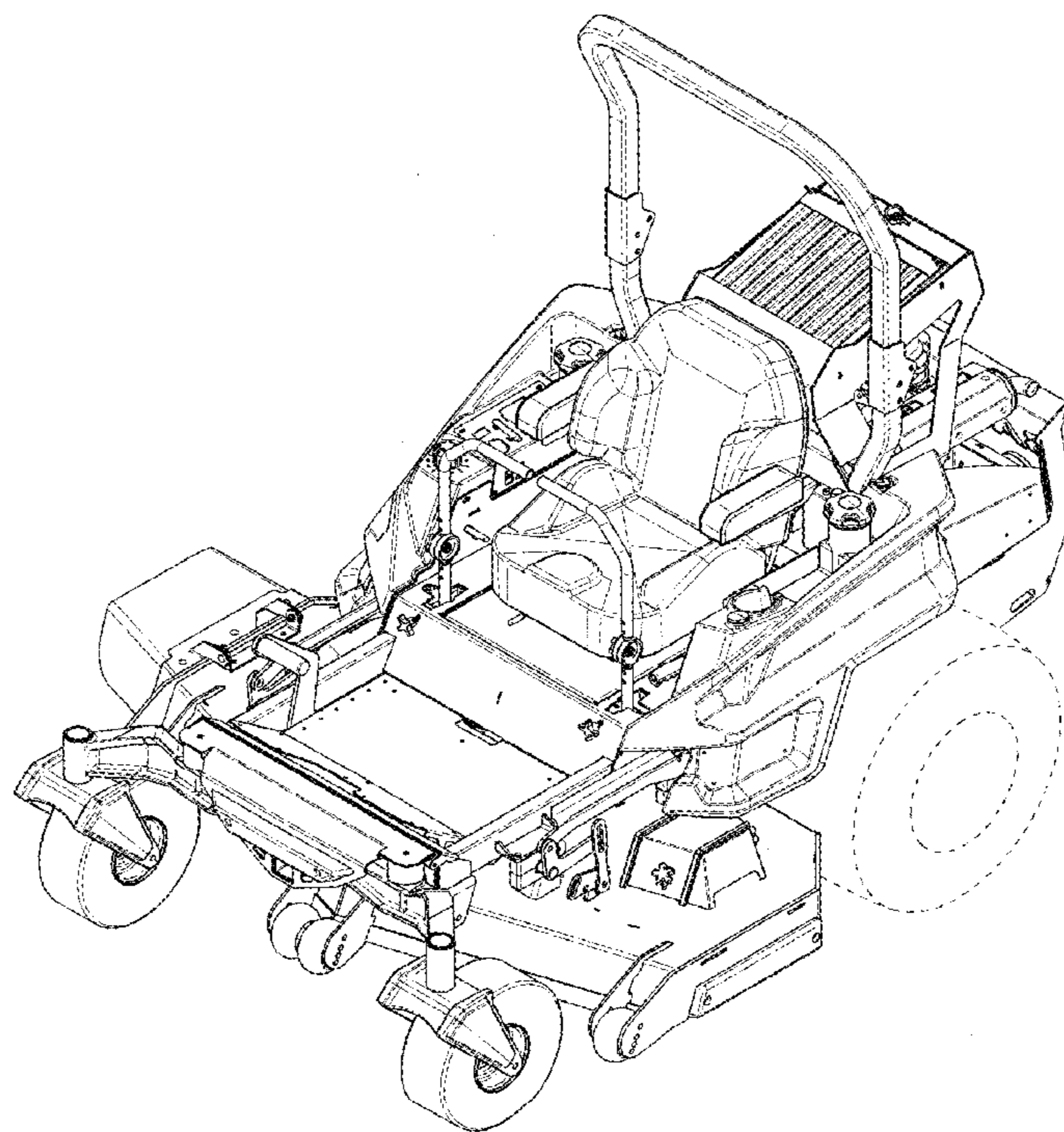
The ornamental design for rear engine riding mower, as shown and described.

DESCRIPTION

FIG. 1 is a front perspective view of a rear engine riding mower showing my new design, with the portions shown in broken line being for illustrative purposes only and forming no part of the claimed design;
 FIG. 2 is a rear perspective view thereof;
 FIG. 3 is a front elevational view thereof;
 FIG. 4 is a rear elevational view thereof;
 FIG. 5 is a right side elevational view thereof;
 FIG. 6 is a left side elevational view thereof; and,
 FIG. 7 is a top plan view thereof.

1 Claim, 7 Drawing Sheets

- (56) **References Cited**
U.S. PATENT DOCUMENTS
D409,208 S * 5/1999 Eavenson D15/15
D450,330 S * 11/2001 Katoh D15/15



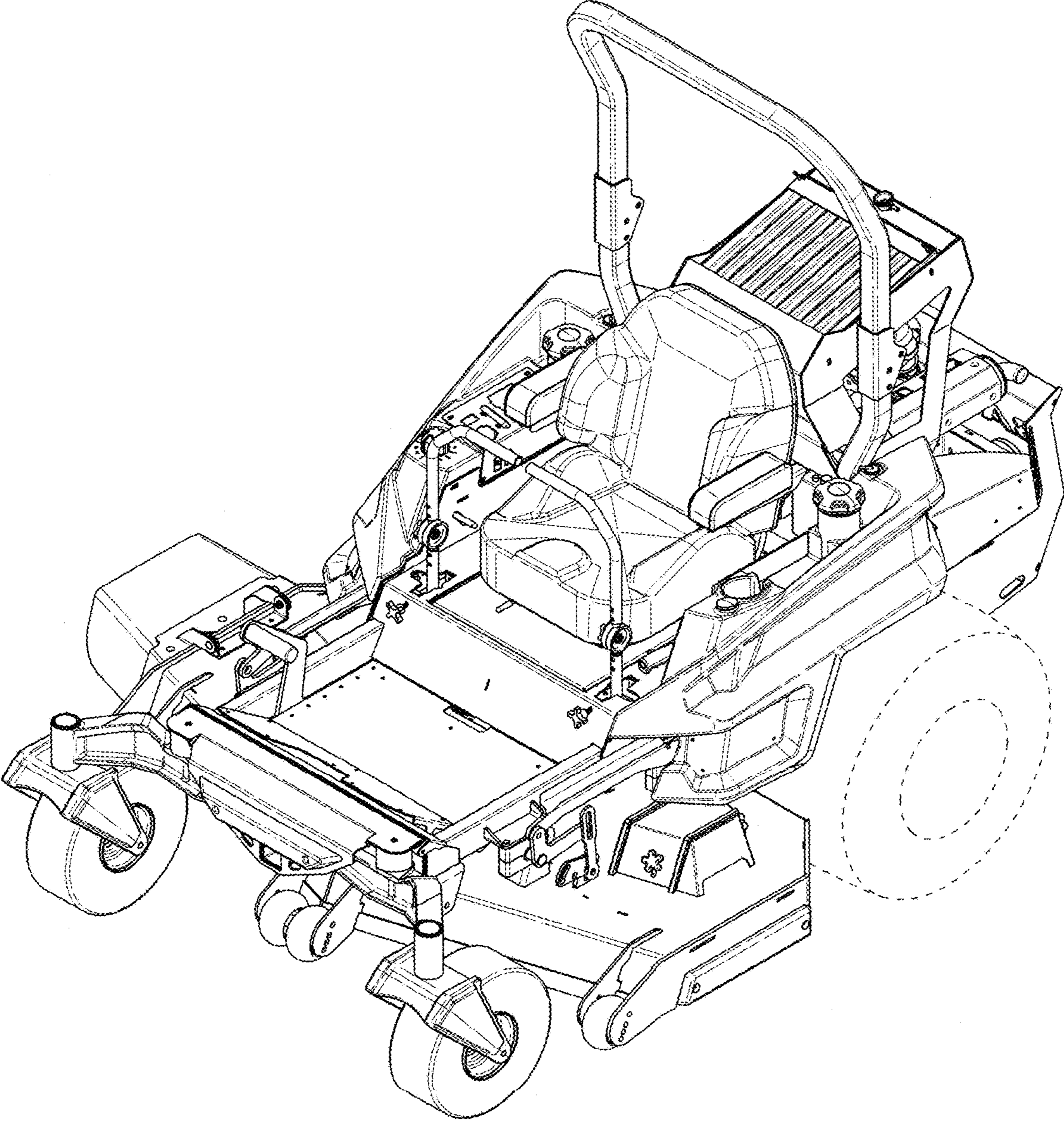


FIG. 1

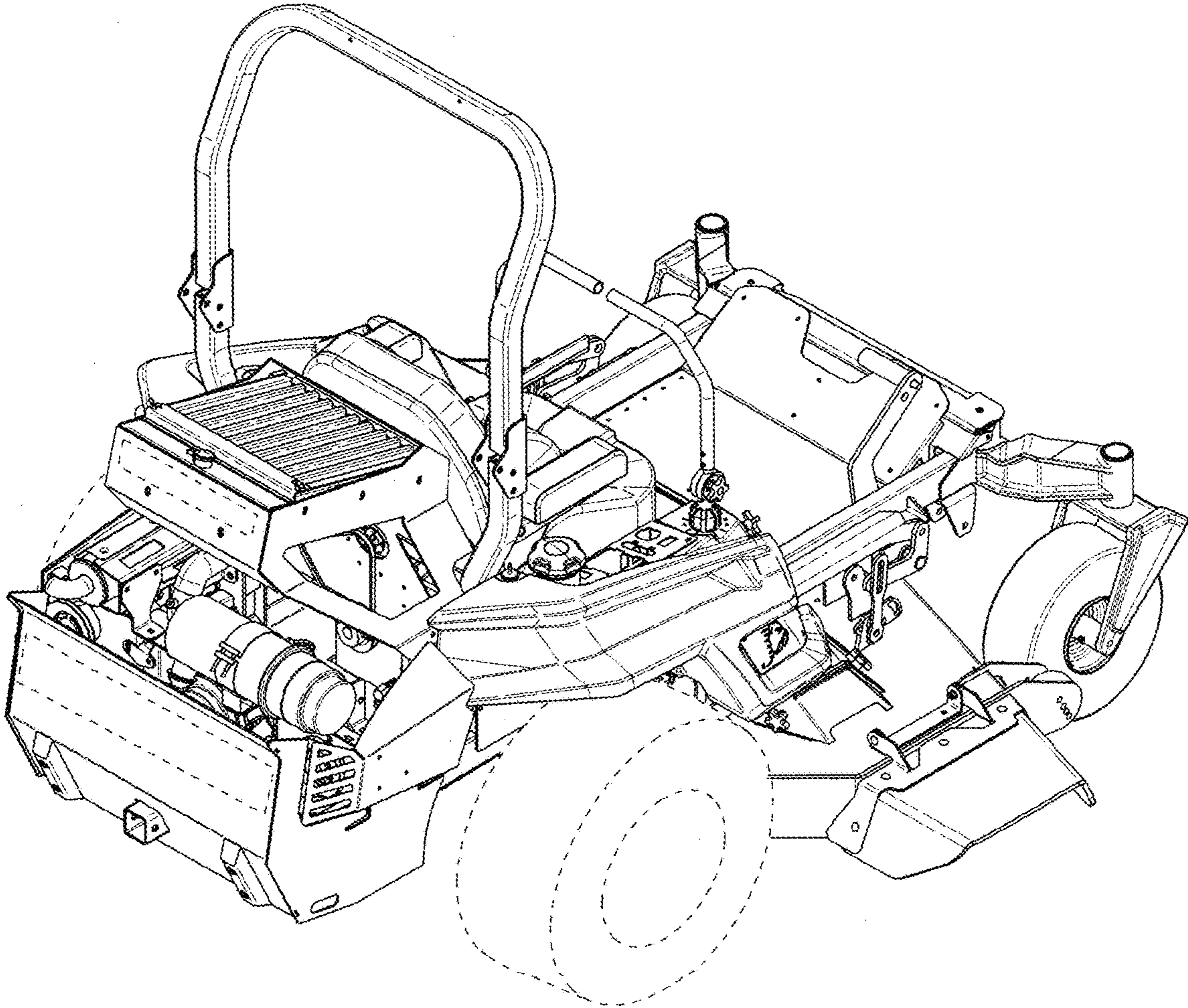


FIG. 2

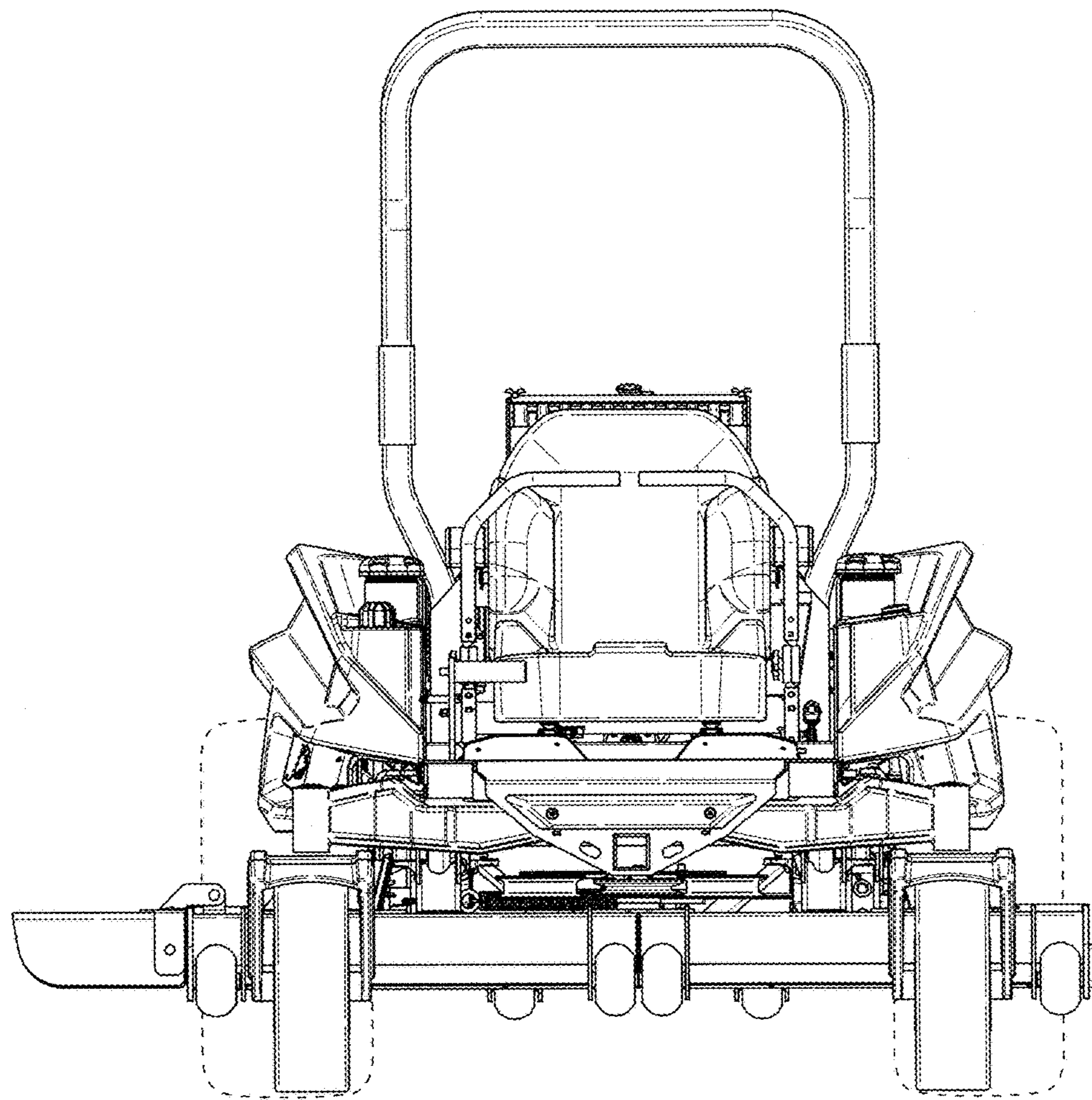


FIG. 3

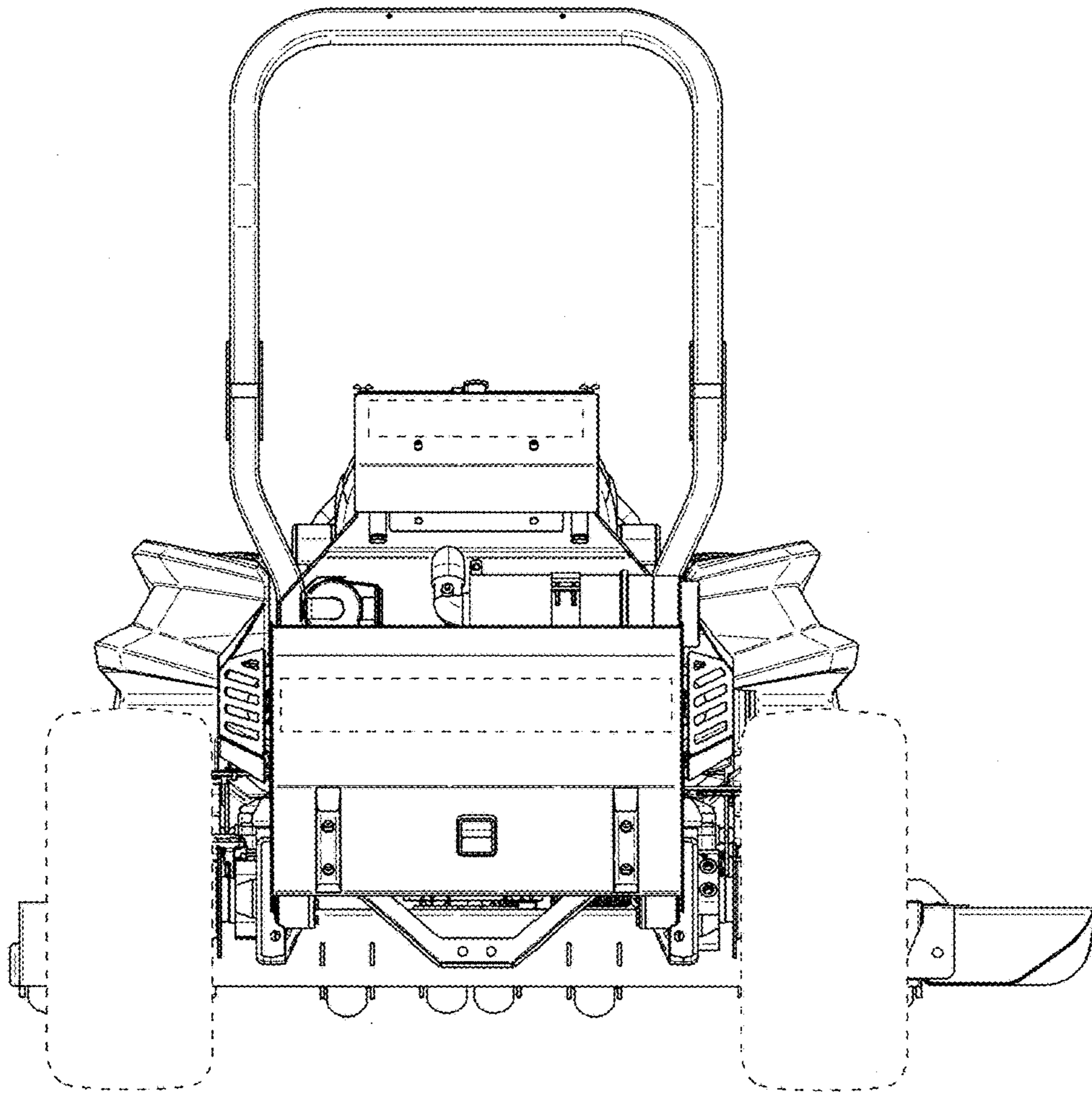


FIG. 4

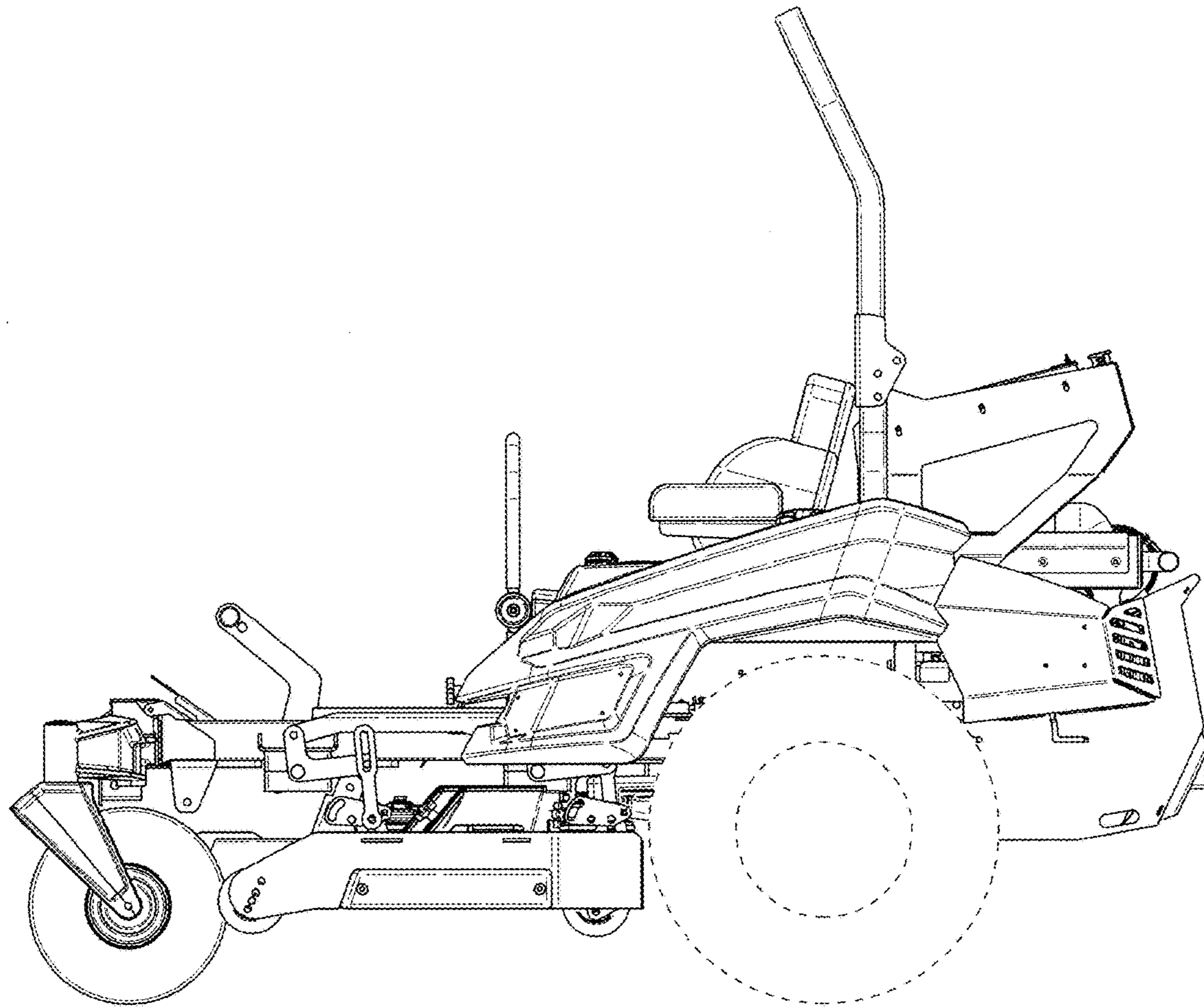


FIG. 5

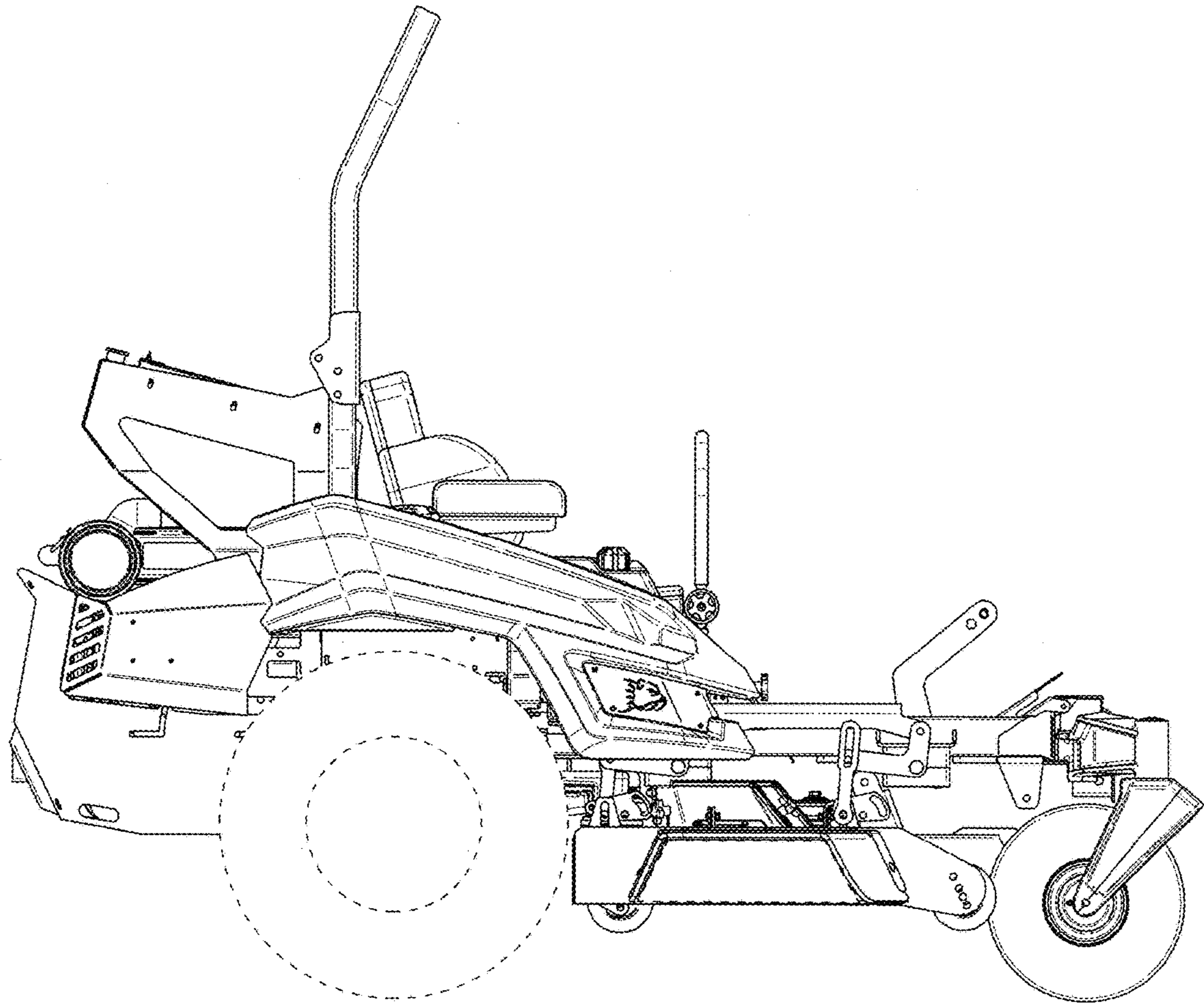


FIG. 6

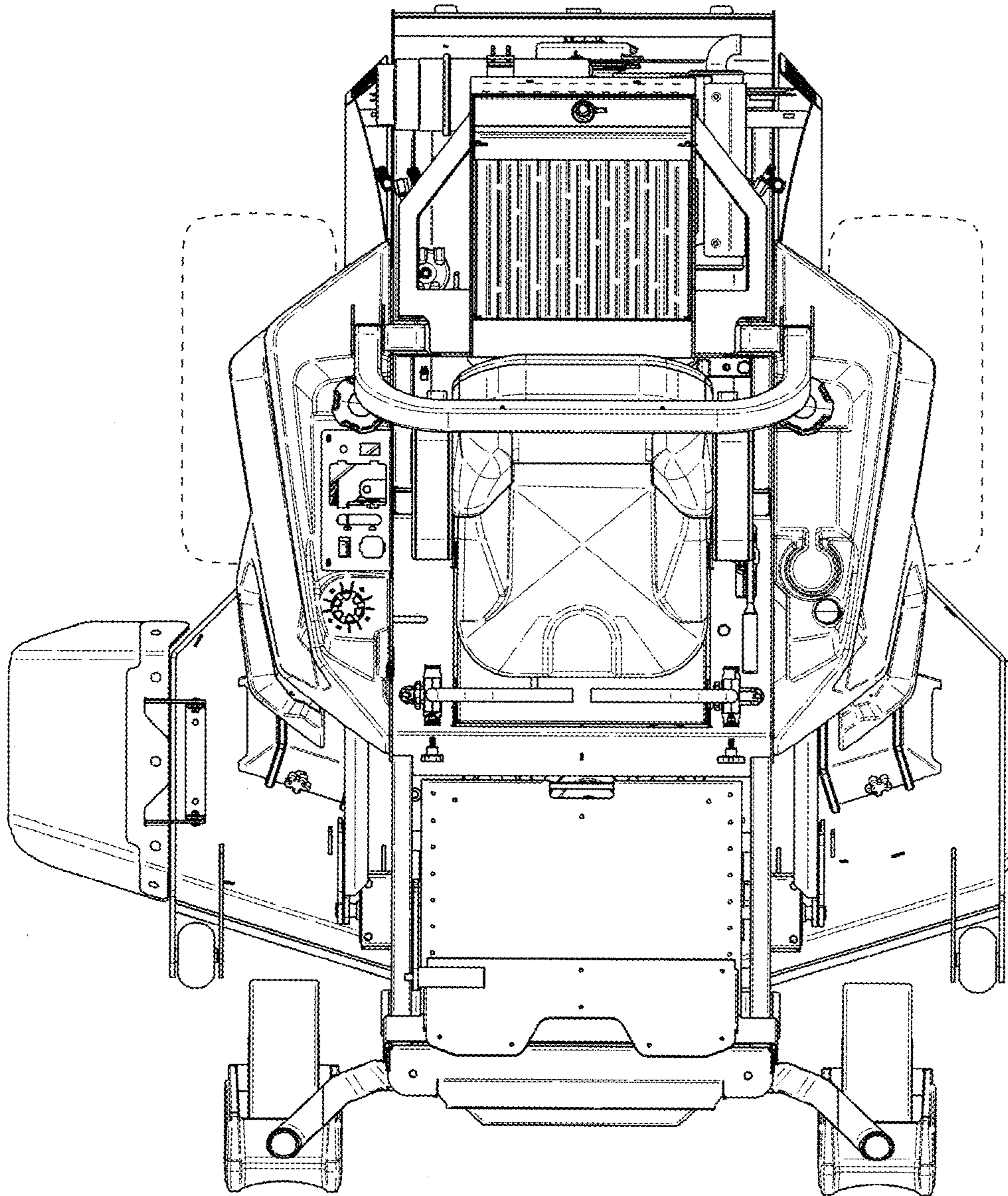


FIG. 7