

US00D866611S

(12) **United States Design Patent**
Long

(10) **Patent No.:** **US D866,611 S**

(45) **Date of Patent:** **** Nov. 12, 2019**

(54) **EXTENDING ELEMENT RIDING MOWER**

(71) Applicant: **Warren Russell Long**, Batesville, AR
(US)

(72) Inventor: **Warren Russell Long**, Batesville, AR
(US)

(**) Term: **15 Years**

(21) Appl. No.: **29/664,320**

(22) Filed: **Sep. 24, 2018**

(51) **LOC (12) Cl.** **15-03**

(52) **U.S. Cl.**
USPC **D15/15**

(58) **Field of Classification Search**
USPC D15/28, 22-26, 14-18, 31, 33; D12/181,
D12/184, 196; 296/198; 280/160, 847,
280/154, 854; 180/68.1, 900, 69.21,
180/69.22, 69.23, 69.24, 69.25, 89.1,
180/69.2, 89.12, 89.19, 273, 68.6;
56/16.1, 13.3, 15.9, 16.7, 17.4, 202, 255,
56/320.1, 13.4, 15.8, 294, 320.2
CPC .. B62D 25/161; B62D 25/168; B62D 25/182;
B62D 25/18; B62D 25/16
See application file for complete search history.

(56) **References Cited**

U.S. PATENT DOCUMENTS

D409,208 S * 5/1999 Eavenson D15/15
D450,330 S * 11/2001 Katoh D15/15

D486,160 S * 2/2004 Higashikawa D15/15
D495,718 S * 9/2004 Higashikawa D15/15
D538,302 S * 3/2007 Higashikawa D15/15
D626,572 S * 11/2010 Moriguchi D15/15
D655,316 S * 3/2012 Moriguchi D15/15
D674,816 S * 1/2013 Higashikawa D15/15
D681,685 S * 5/2013 Higashikawa D15/15
D715,329 S * 10/2014 Higashikawa D15/15
D789,423 S * 6/2017 Shi D15/15

* cited by examiner

Primary Examiner — Mark A Goodwin

(74) *Attorney, Agent, or Firm* — Keisling & Pieper PLC;
Trent C. Keisling

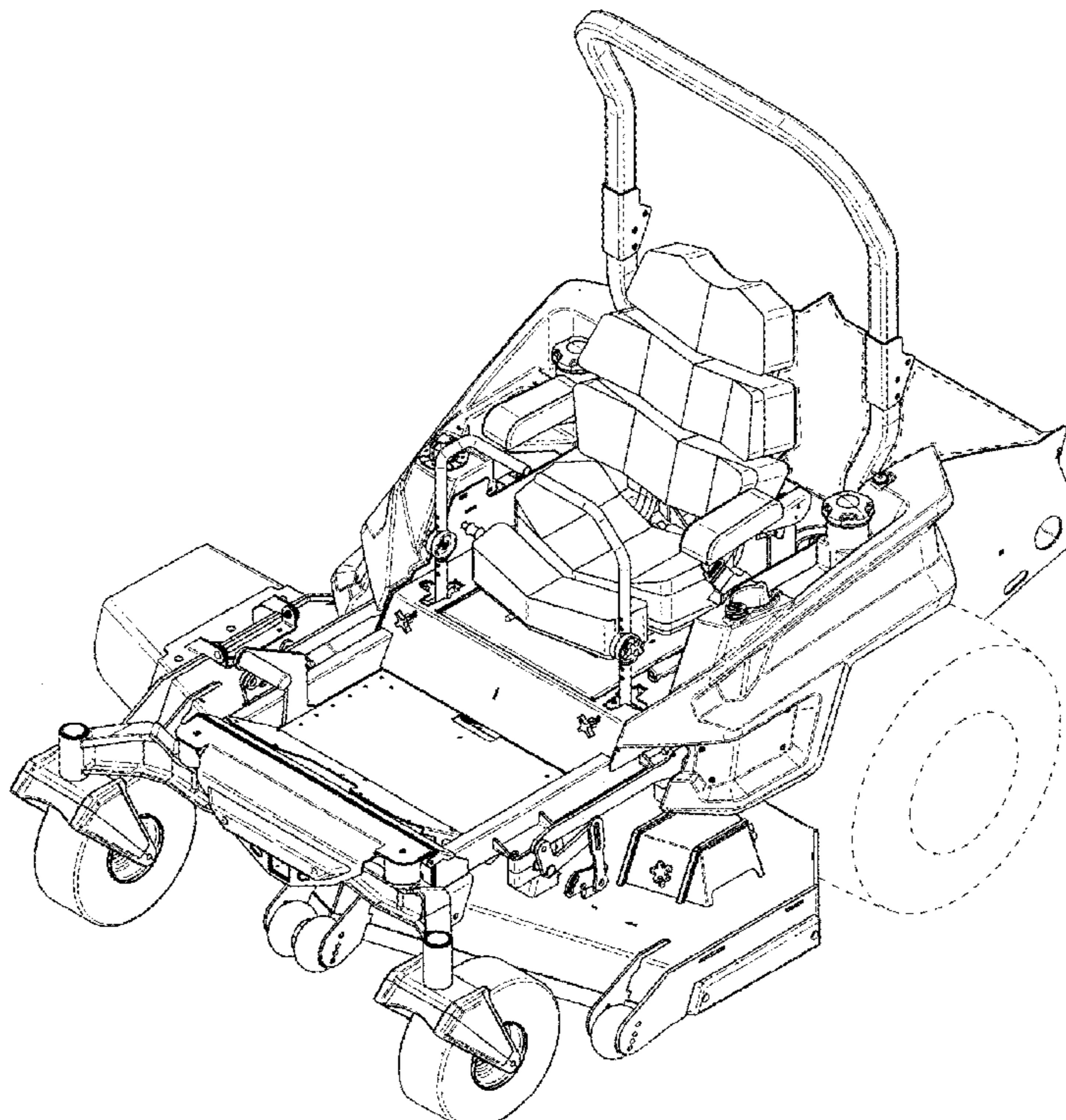
(57) **CLAIM**

The ornamental design for a extending element riding
mower, as shown and described.

DESCRIPTION

FIG. 1 is a front perspective view of an extending element
riding mower showing my new design, with the portions
shown in broken line being for illustrative purposes only and
forming no part of the claimed design;
FIG. 2 is a rear perspective view thereof;
FIG. 3 is a front elevational view thereof;
FIG. 4 is a rear elevational view thereof;
FIG. 5 is a left side elevational view thereof;
FIG. 6 is a right side elevational view thereof; and,
FIG. 7 is a top plan view thereof.

1 Claim, 7 Drawing Sheets



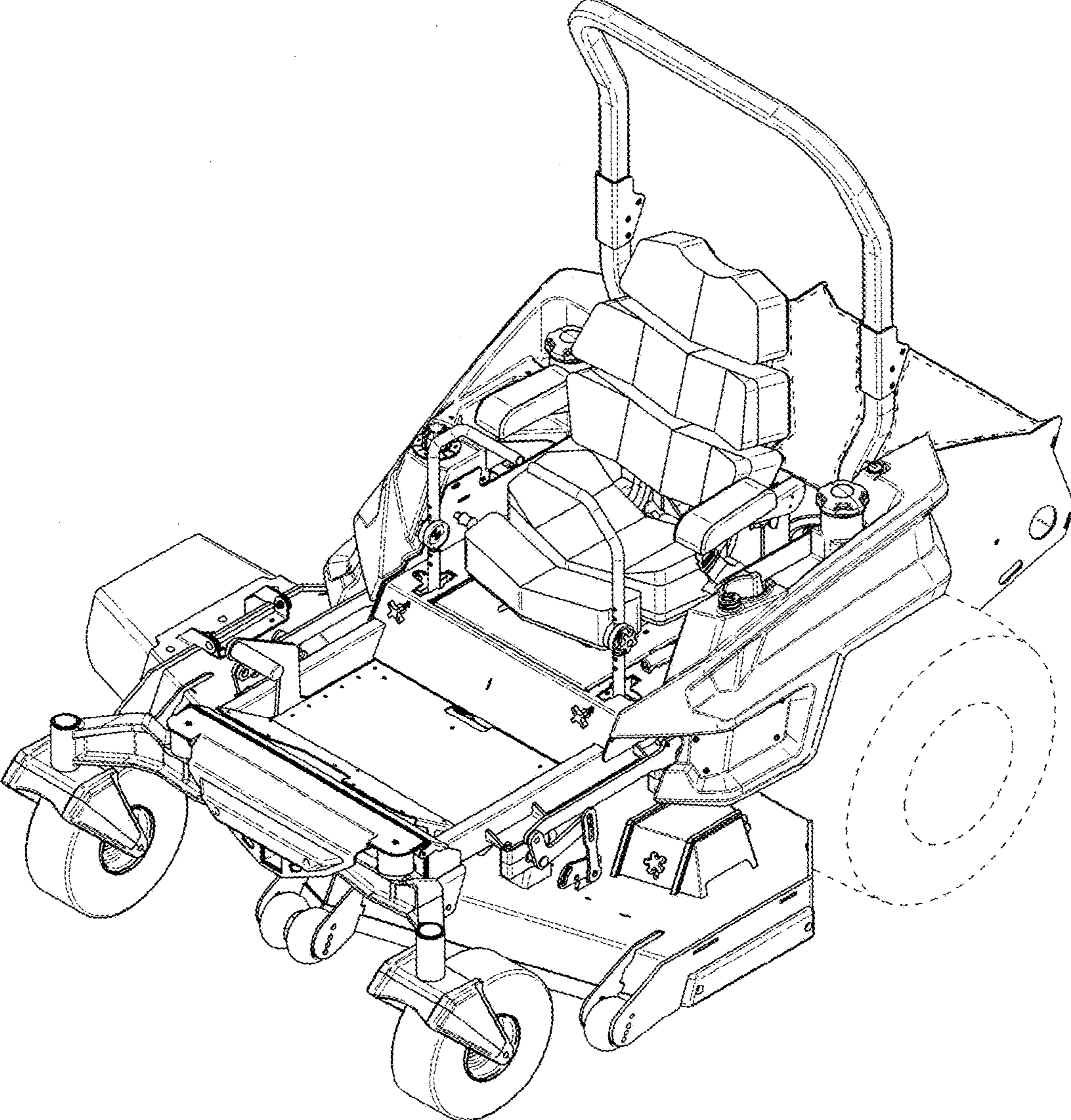


FIG. 1

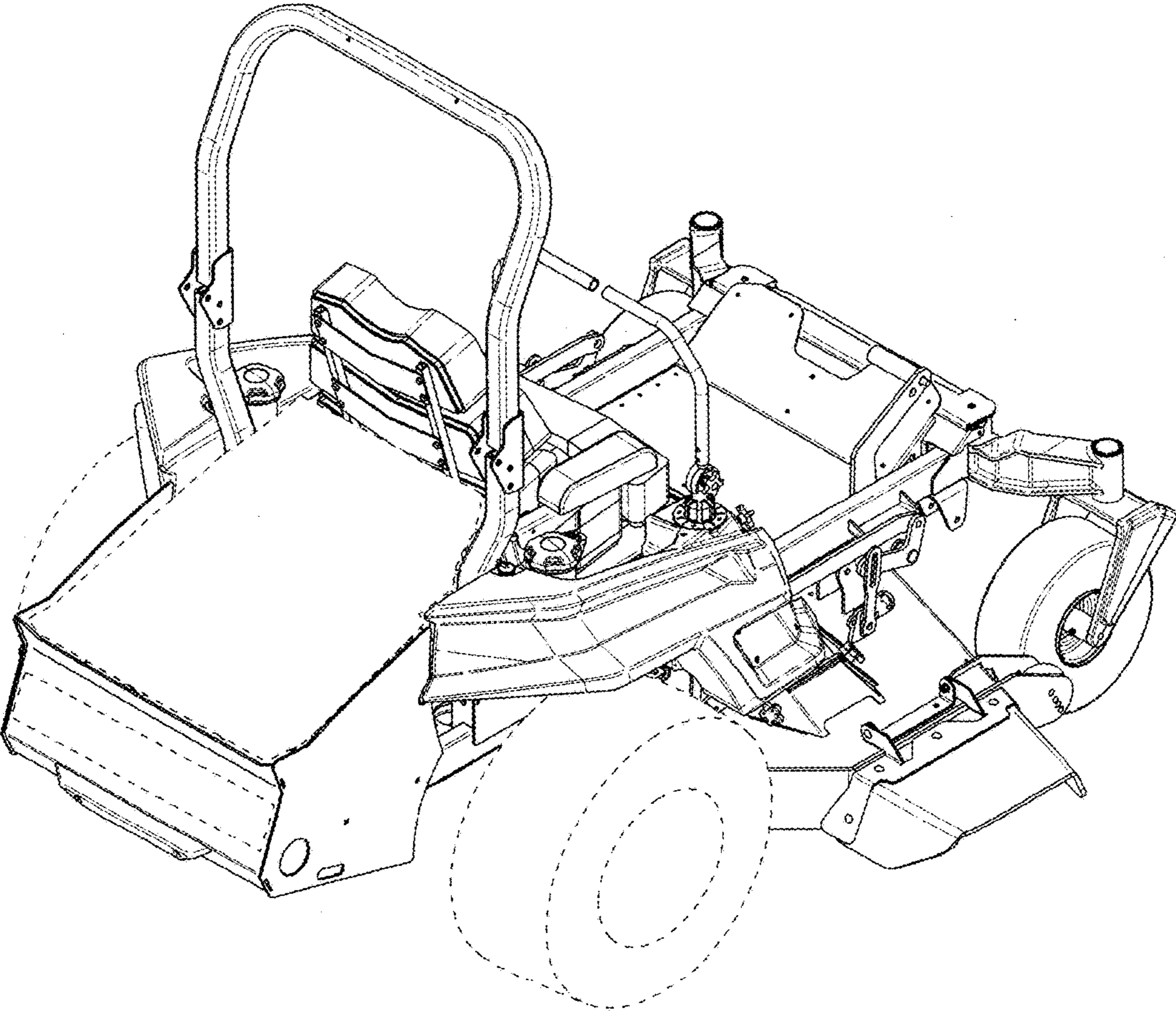


FIG. 2

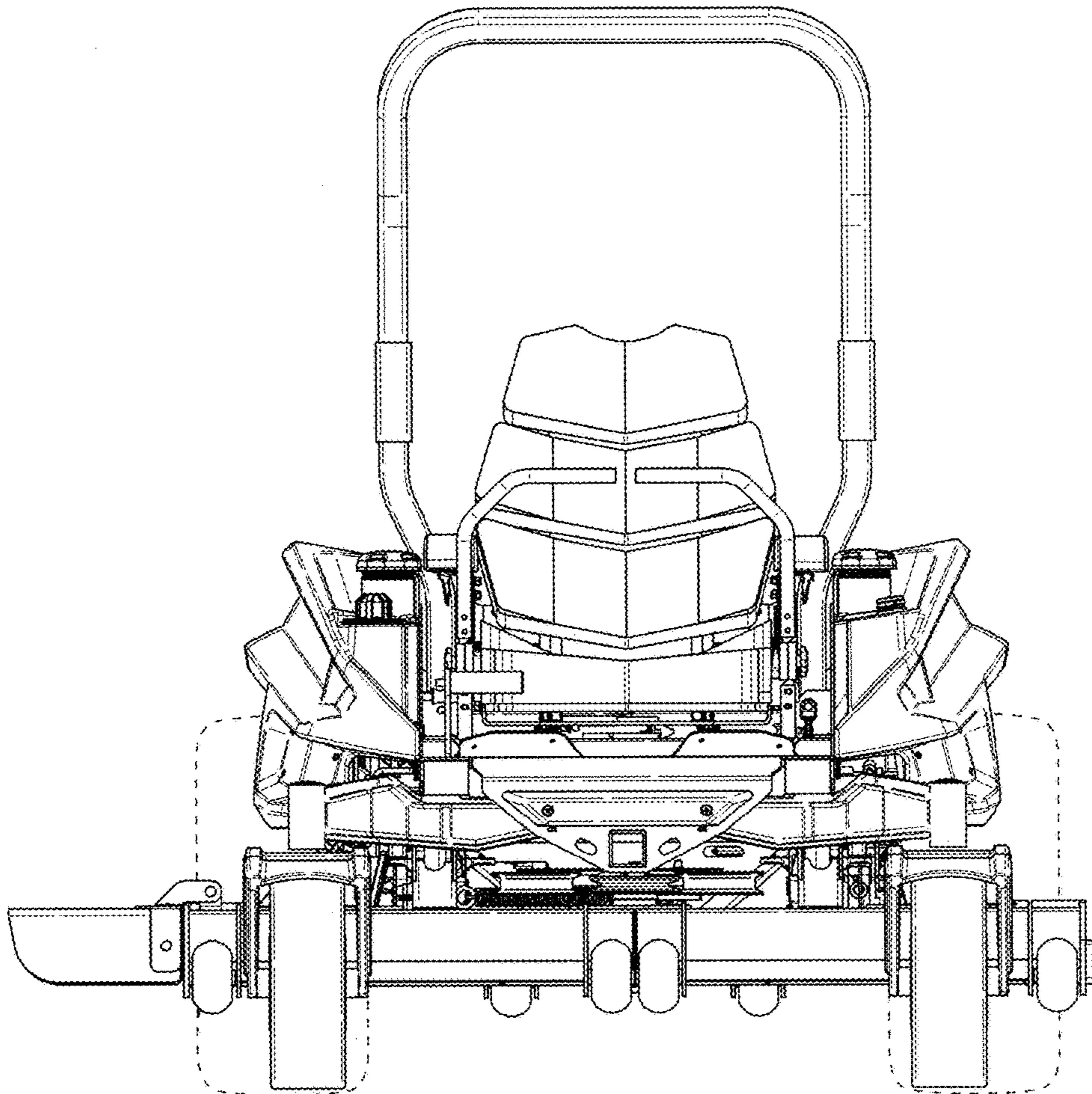


FIG. 3

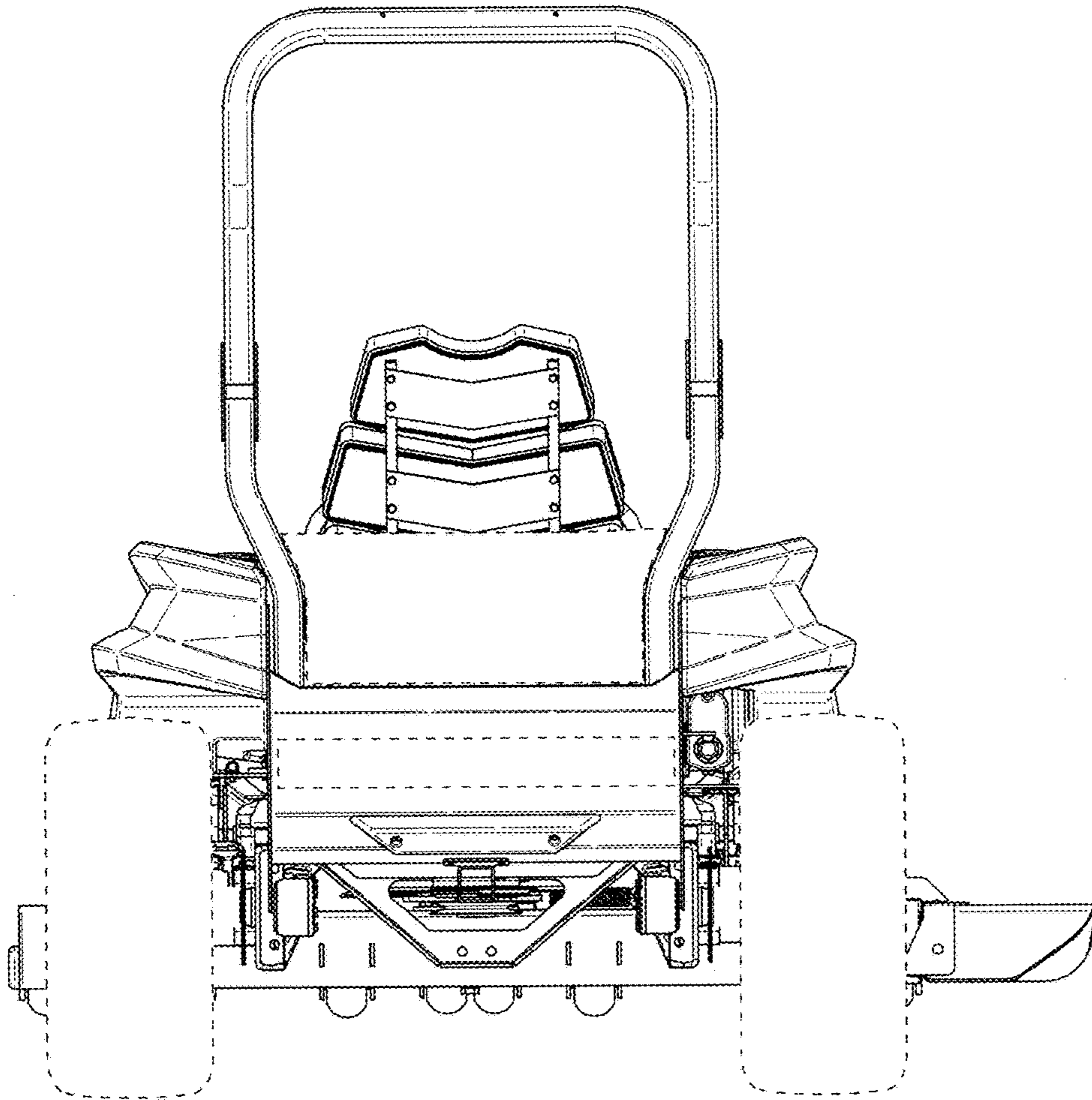


FIG. 4

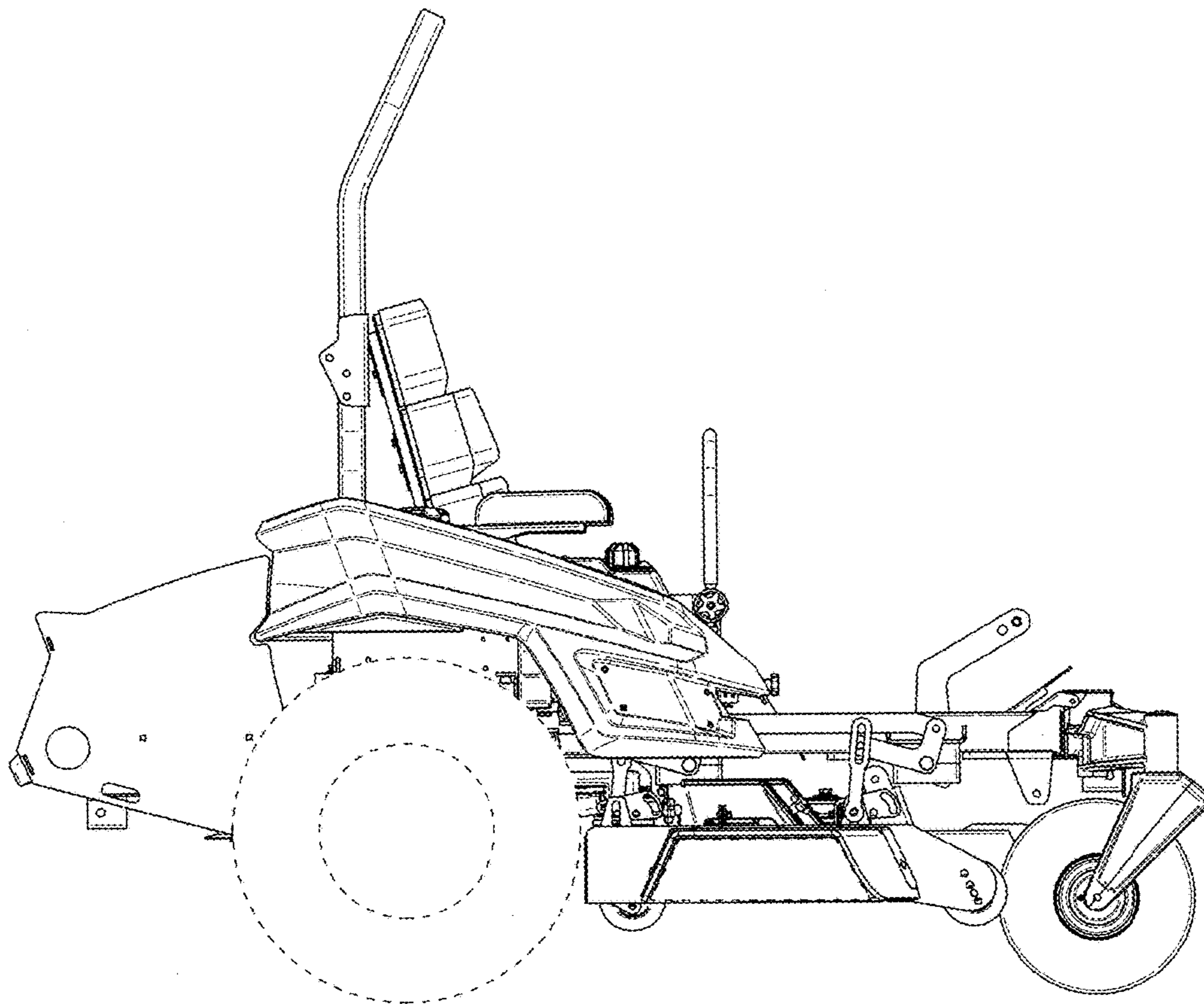


FIG. 5

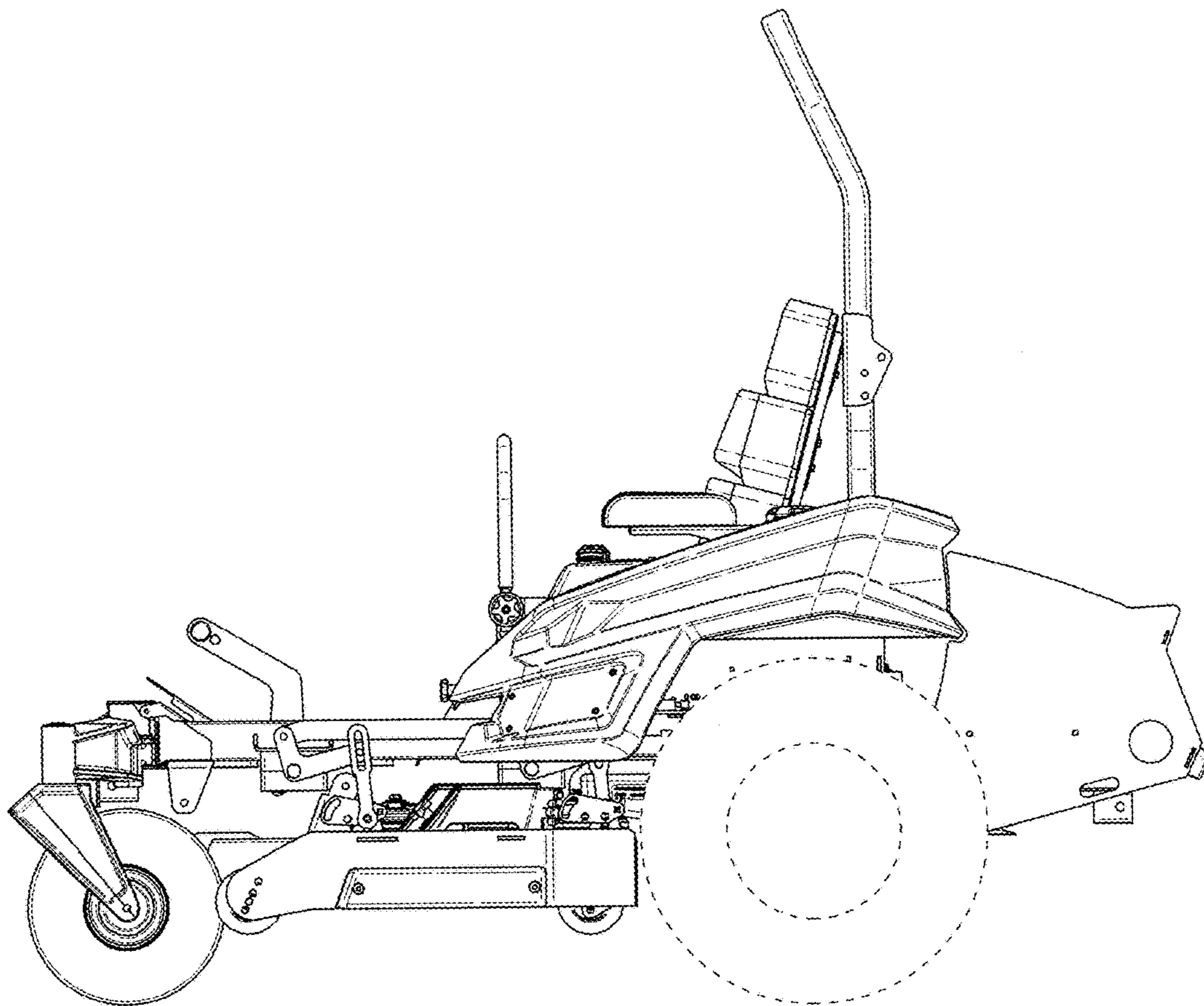


FIG. 6

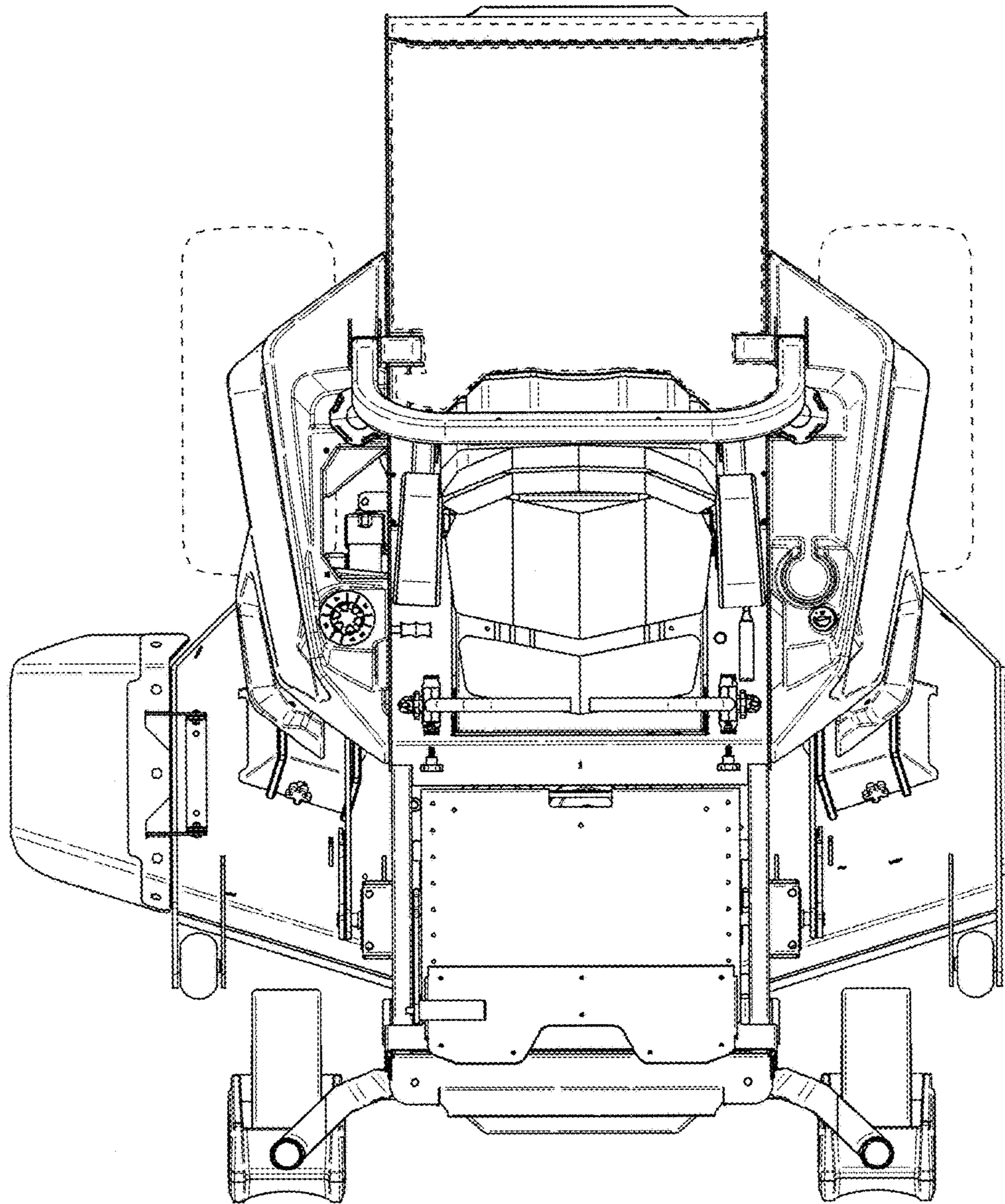


FIG. 7