

US00D866610S

(12) **United States Design Patent**
Long

(10) **Patent No.:** **US D866,610 S**

(45) **Date of Patent:** **** Nov. 12, 2019**

(54) **RECESSED ELEMENT RIDING MOWER**

(71) Applicant: **Warren Russell Long**, Batesville, AR
(US)

(72) Inventor: **Warren Russell Long**, Batesville, AR
(US)

(**) Term: **15 Years**

(21) Appl. No.: **29/664,318**

(22) Filed: **Sep. 24, 2018**

(51) **LOC (12) Cl.** **15-03**

(52) **U.S. Cl.**
USPC **D15/15**

(58) **Field of Classification Search**
USPC D15/28, 22-26, 14-18, 31, 33; D12/181,
D12/184, 196; 296/198; 280/160, 847,
280/154, 854; 180/68.1, 900, 69.21,
180/69.22, 69.23, 69.24, 69.25, 89.1,
180/69.2, 89.12, 89.19, 273, 68.6;
56/16.1, 13.3, 15.9, 16.7, 17.4, 202, 255,
56/320.1, 13.4, 15.8, 294, 320.2
CPC .. B62D 25/161; B62D 25/168; B62D 25/182;
B62D 25/18; B62D 25/16
See application file for complete search history.

(56) **References Cited**

U.S. PATENT DOCUMENTS

D409,208 S * 5/1999 Eavenson D15/15
D450,330 S * 11/2001 Katoh D15/15

D486,160 S * 2/2004 Higashikawa D15/15
D495,718 S * 9/2004 Higashikawa D15/15
D538,302 S * 3/2007 Higashikawa D15/15
D626,572 S * 11/2010 Moriguchi D15/15
D655,316 S * 3/2012 Moriguchi D15/15
D674,816 S * 1/2013 Higashikawa D15/15
D681,685 S * 5/2013 Higashikawa D15/15
D715,329 S * 10/2014 Higashikawa D15/15
D789,423 S * 6/2017 Shi D15/15

* cited by examiner

Primary Examiner — Mark A Goodwin

(74) *Attorney, Agent, or Firm* — Keisling & Pieper PLC;
Trent C. Keisling

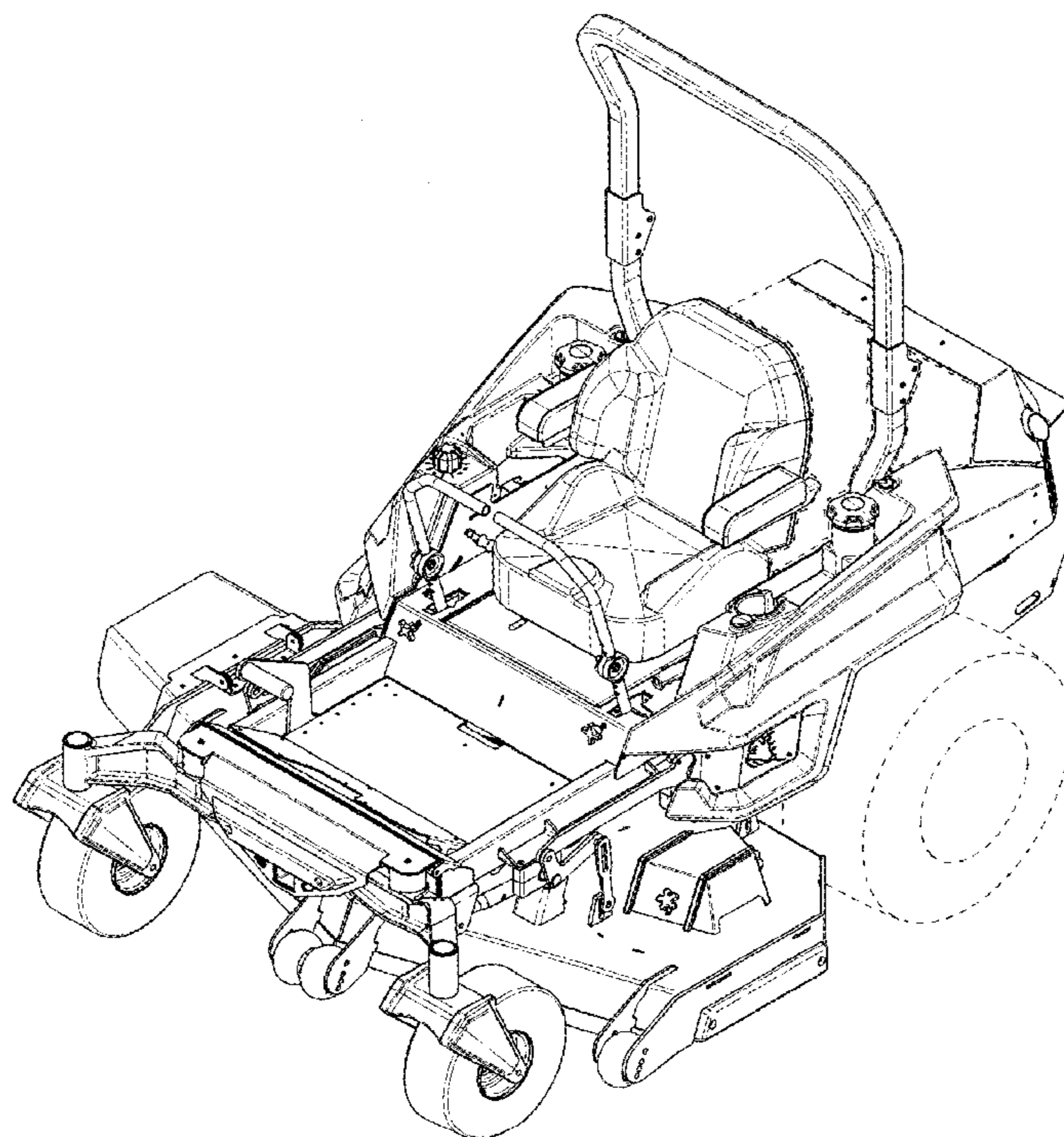
(57) **CLAIM**

The ornamental design for recessed element riding mower,
as shown and described.

DESCRIPTION

FIG. 1 is a front perspective view of a recessed element riding mower showing my new design, with the portions shown in broken line being for illustrative purposes only and forming no part of the claimed design;
FIG. 2 is a rear perspective view thereof;
FIG. 3 is a front elevational view thereof;
FIG. 4 is a rear elevational view thereof;
FIG. 5 is a right side elevational view thereof;
FIG. 6 is a left side elevational view thereof; and,
FIG. 7 is a top plan view thereof.

1 Claim, 7 Drawing Sheets



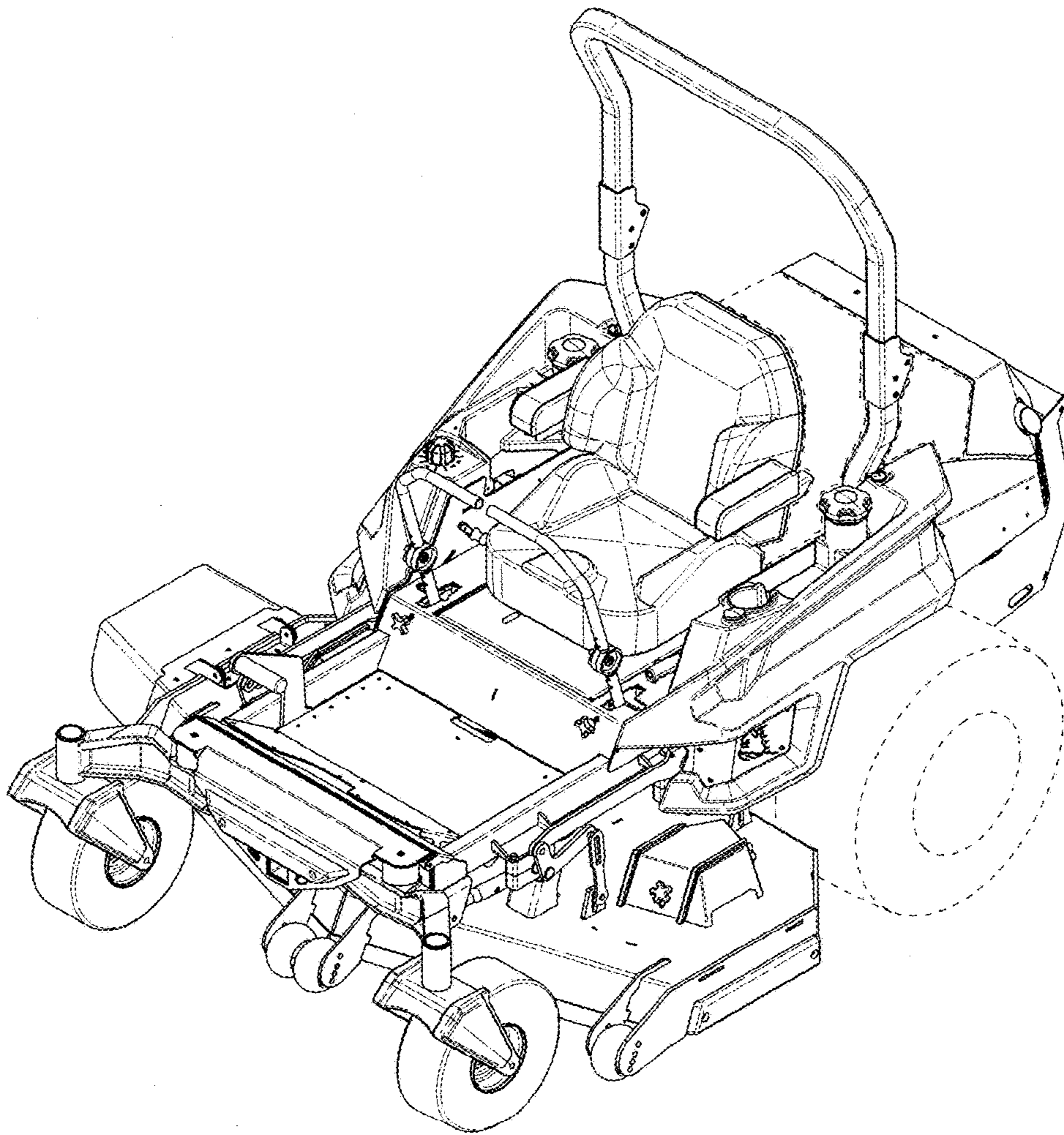


FIG. 1

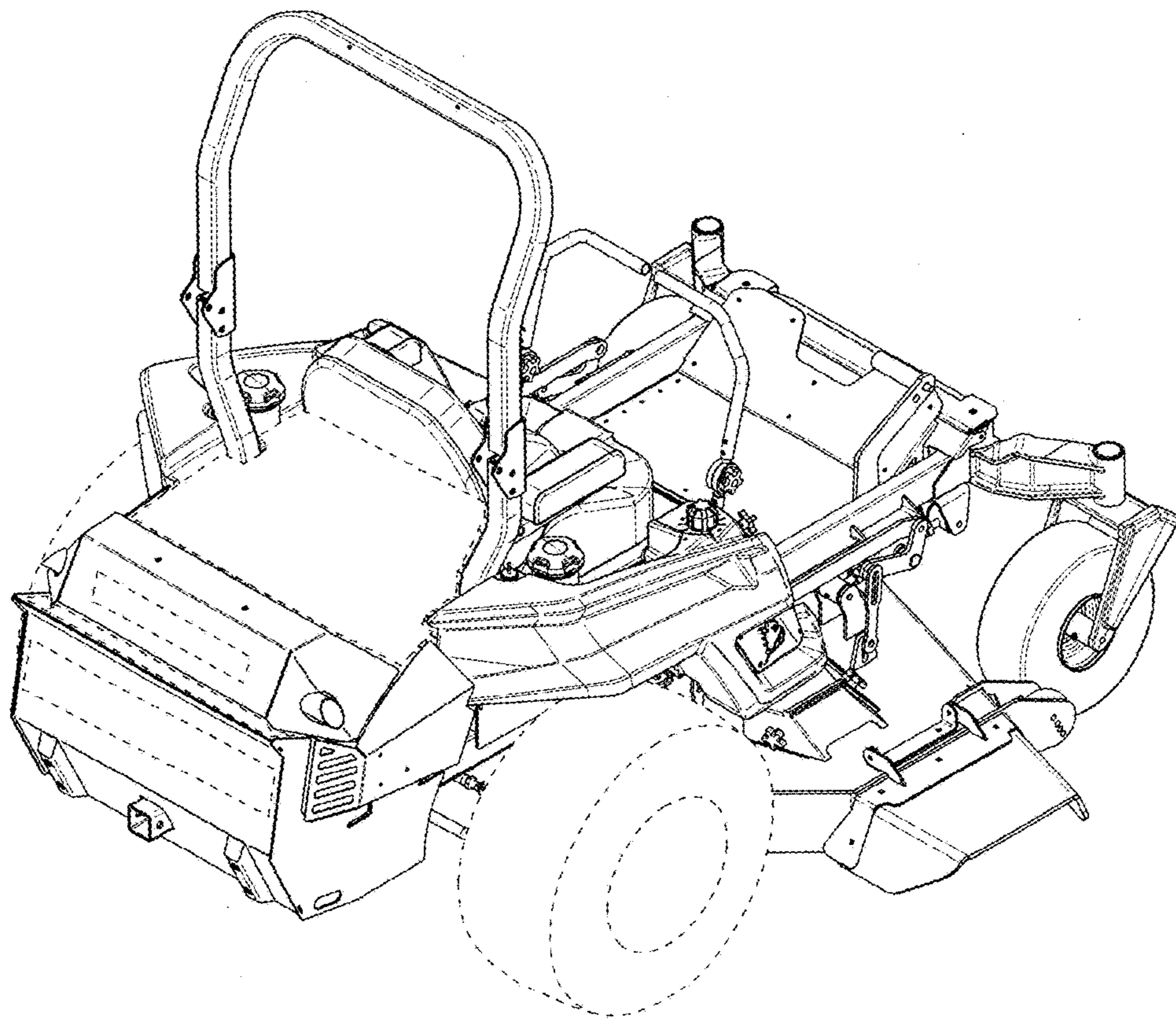


FIG. 2

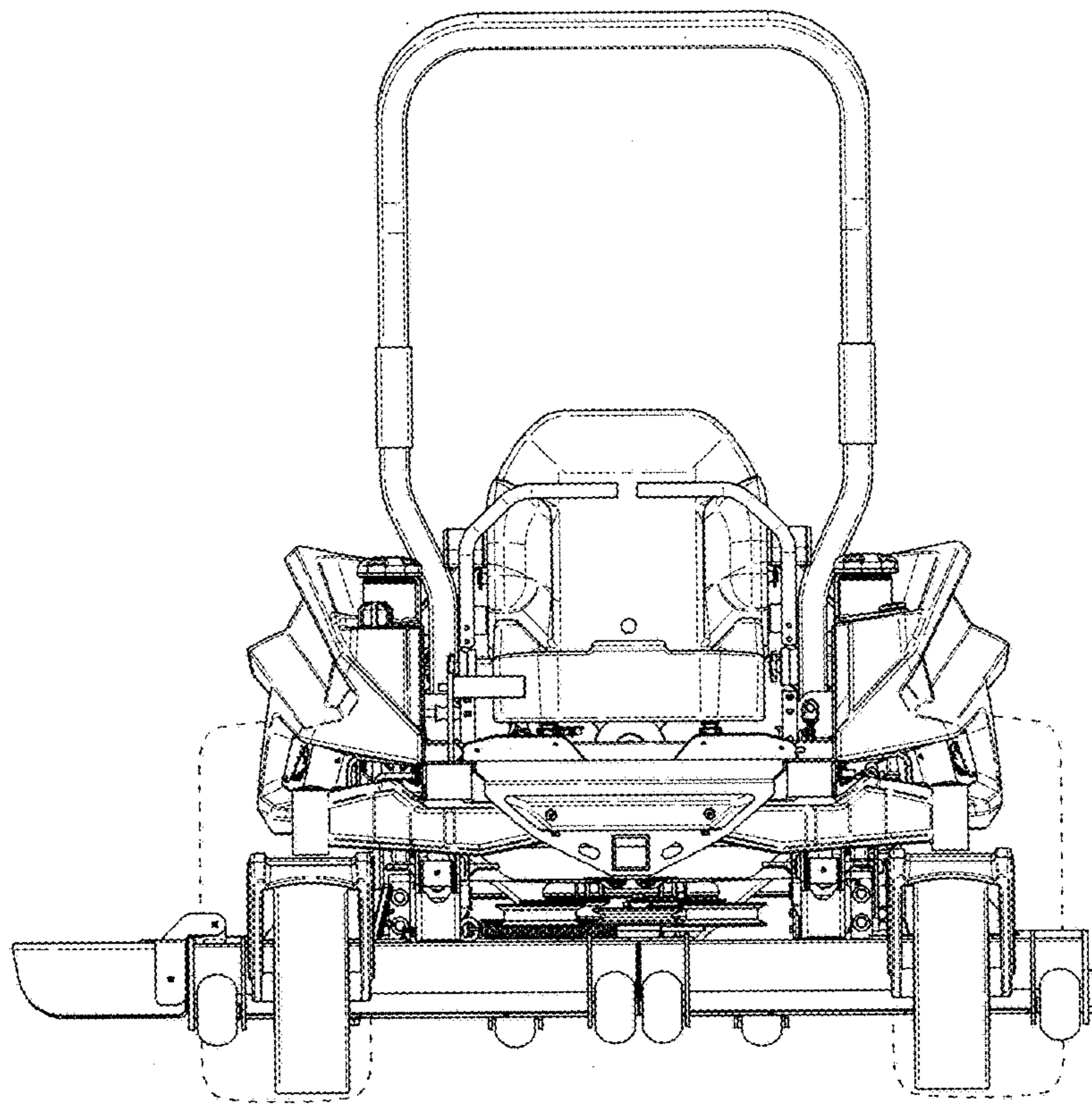


FIG. 3

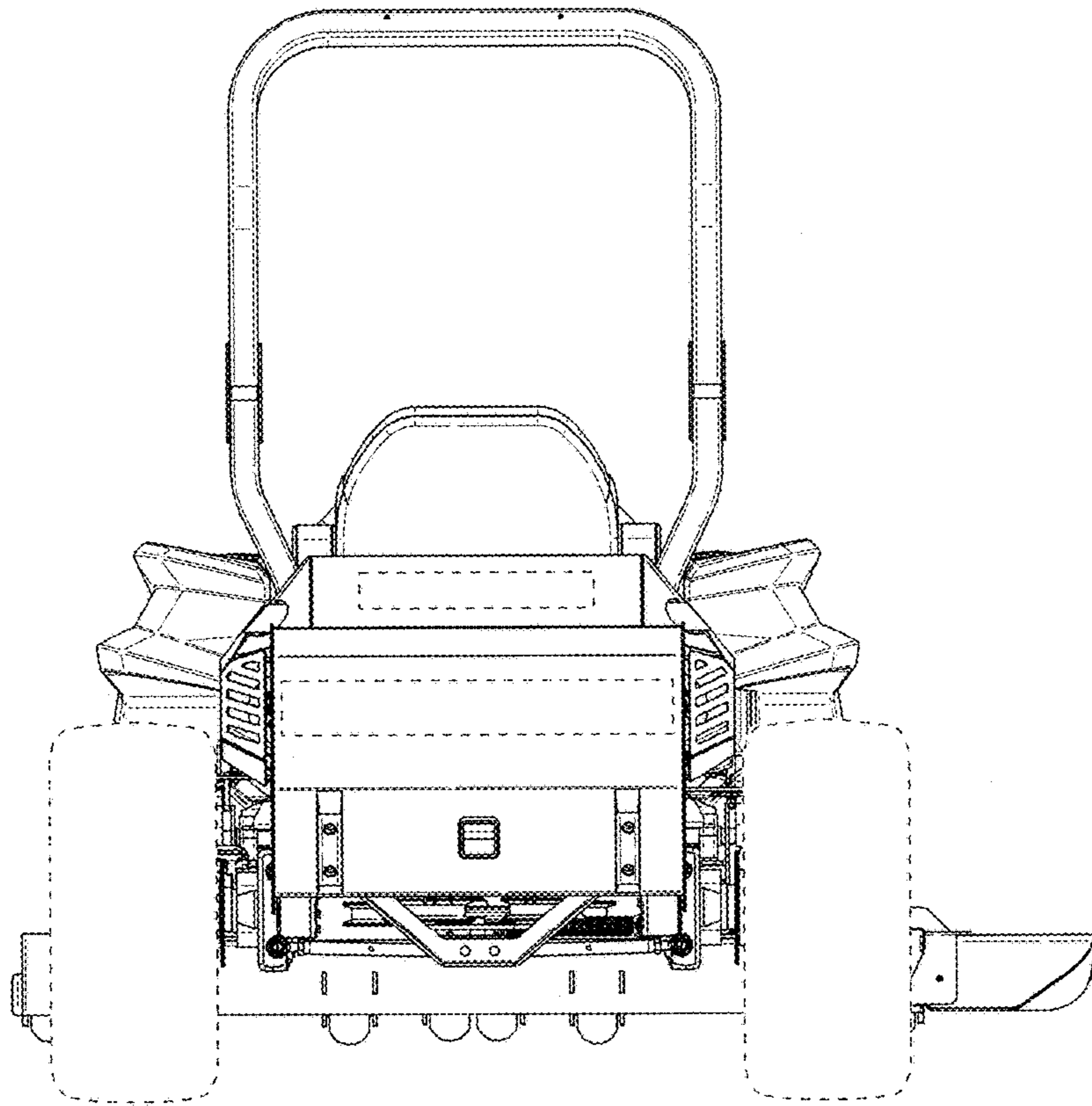


FIG. 4

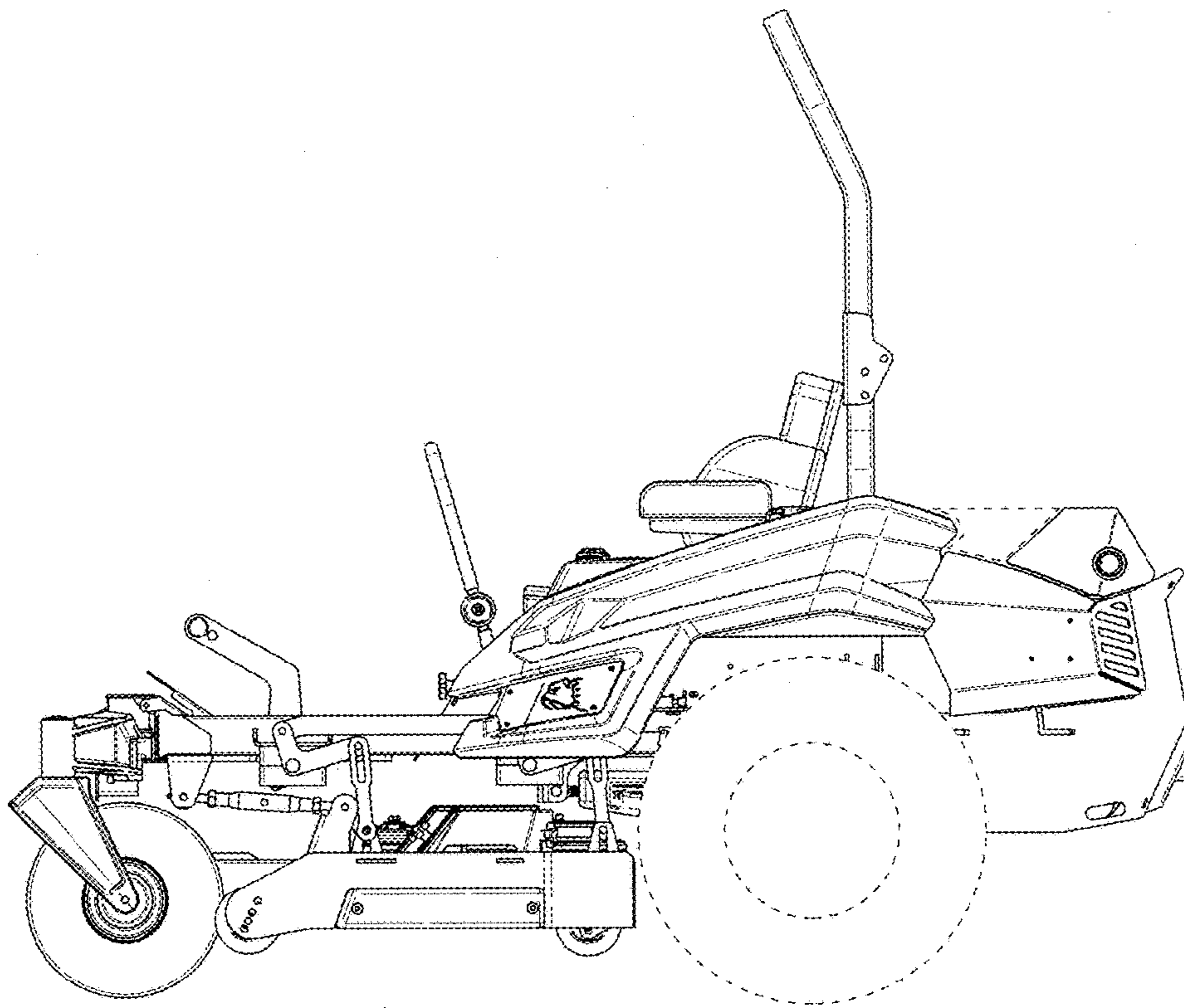


FIG. 5

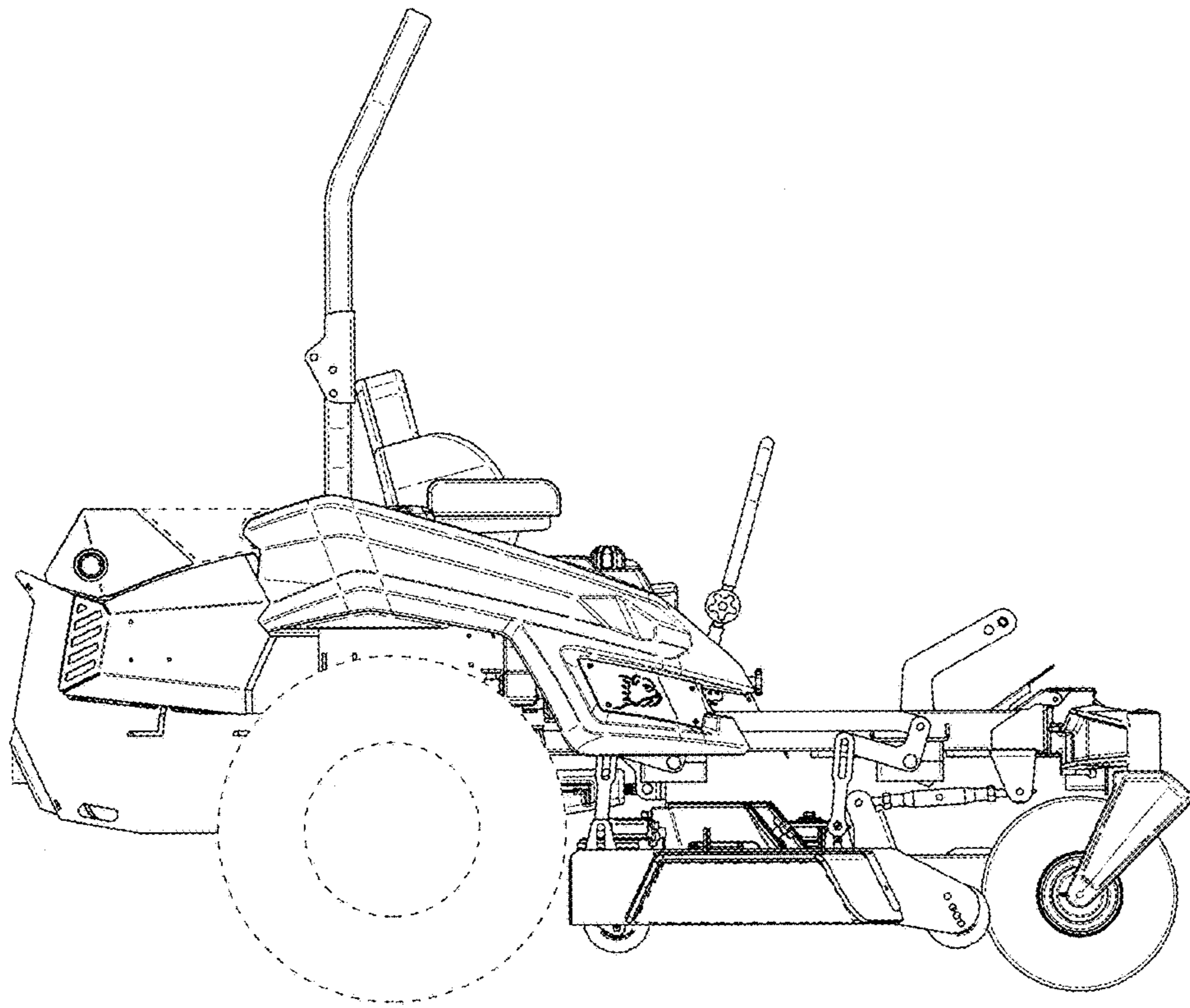


FIG. 6

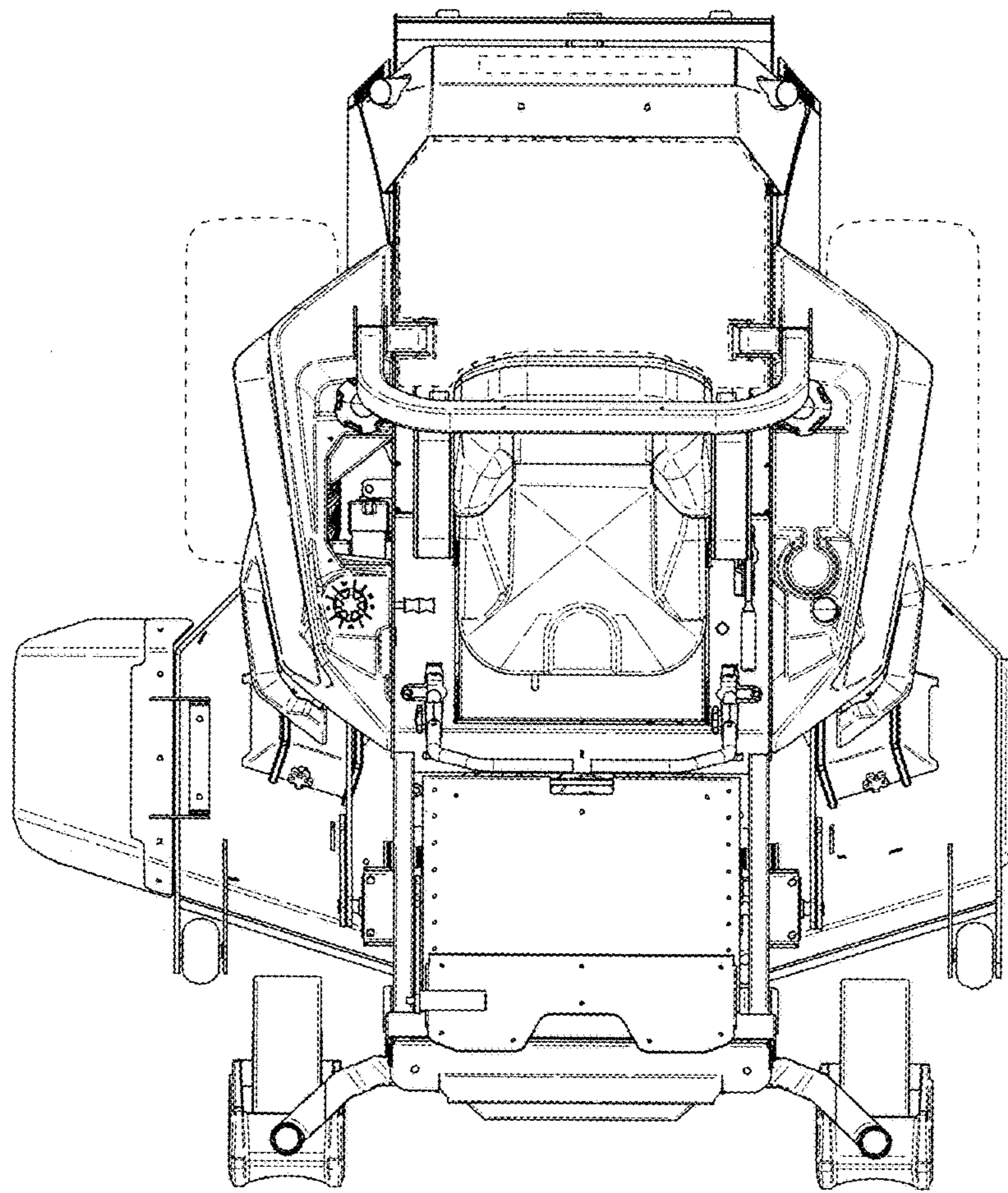


FIG. 7