

US00D866609S

(12) **United States Design Patent**  
**Long**

(10) **Patent No.:** **US D866,609 S**

(45) **Date of Patent:** **\*\* Nov. 12, 2019**

(54) **RISING SIDE RIDING MOWER**

(71) Applicant: **Warren Russell Long**, Batesville, AR  
(US)

(72) Inventor: **Warren Russell Long**, Batesville, AR  
(US)

(\*\*) Term: **15 Years**

(21) Appl. No.: **29/664,315**

(22) Filed: **Sep. 24, 2018**

(51) **LOC (12) Cl.** ..... **15-03**

(52) **U.S. Cl.**  
USPC ..... **D15/15**

(58) **Field of Classification Search**

USPC .... D15/28, 22-26, 14-18, 31, 33; D12/181,  
D12/184, 196; 296/198; 280/160, 847,  
280/154, 854; 180/68.1, 900, 69.21,  
180/69.22, 69.23, 69.24, 69.25, 89.1,  
180/69.2, 89.12, 89.19, 273, 68.6;  
56/16.1, 13.3, 15.9, 16.7, 17.4, 202, 255,  
56/320.1, 13.4, 15.8, 294, 320.2  
CPC .. B62D 25/161; B62D 25/168; B62D 25/182;  
B62D 25/18; B62D 25/16  
See application file for complete search history.

(56) **References Cited**

**U.S. PATENT DOCUMENTS**

D409,208 S \* 5/1999 Eavenson ..... D15/15  
D450,330 S \* 11/2001 Katoh ..... D15/15

D486,160 S \* 2/2004 Higashikawa ..... D15/15  
D495,718 S \* 9/2004 Higashikawa ..... D15/15  
D538,302 S \* 3/2007 Higashikawa ..... D15/15  
D626,572 S \* 11/2010 Moriguchi ..... D15/15  
D655,316 S \* 3/2012 Moriguchi ..... D15/15  
D674,816 S \* 1/2013 Higashikawa ..... D15/15  
D681,685 S \* 5/2013 Higashikawa ..... D15/15  
D715,329 S \* 10/2014 Higashikawa ..... D15/15  
D789,423 S \* 6/2017 Shi ..... D15/15

\* cited by examiner

*Primary Examiner* — Mark A Goodwin

(74) *Attorney, Agent, or Firm* — Keisling & Pieper PLC;  
Trent C. Keisling

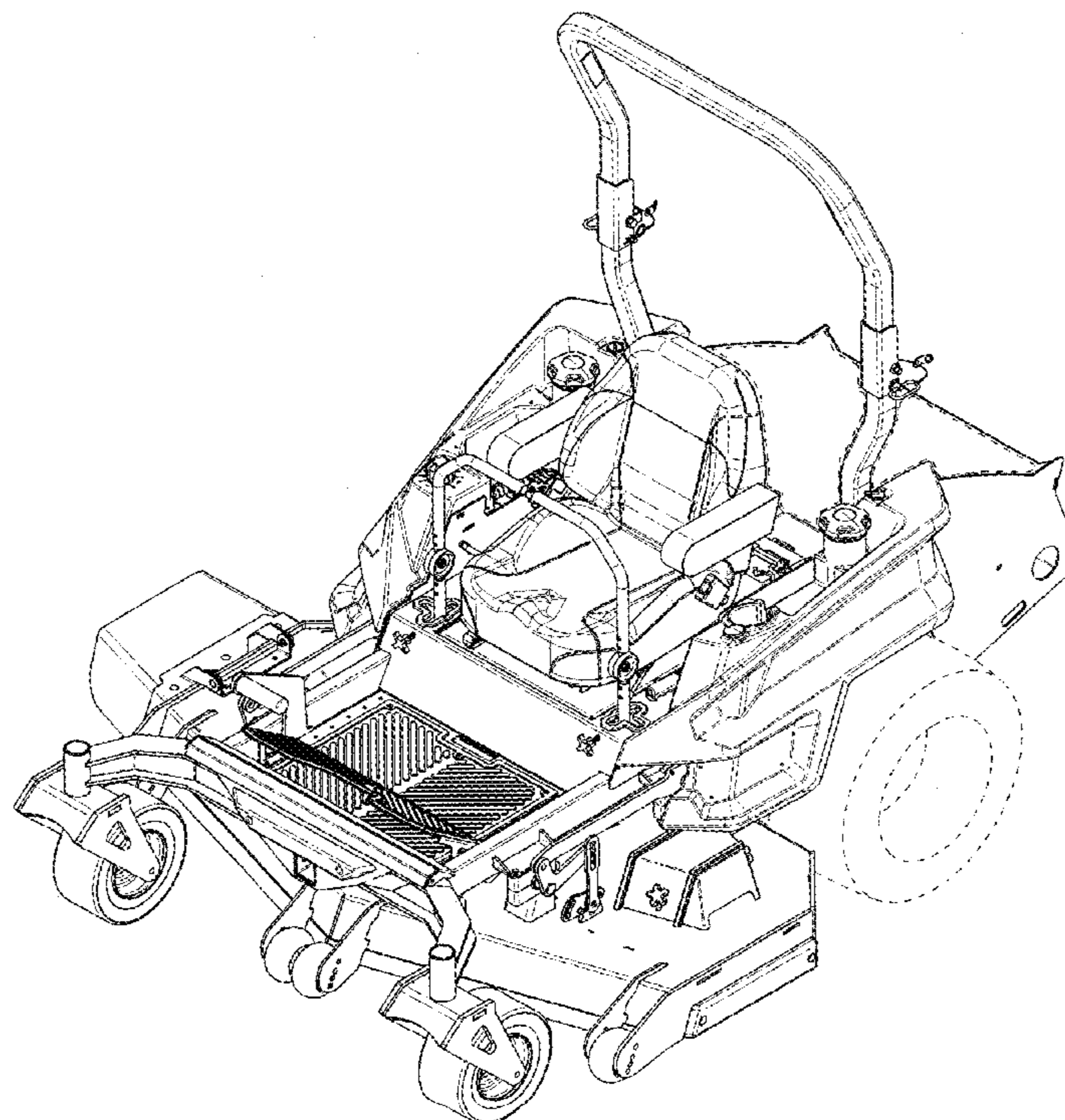
(57) **CLAIM**

The ornamental design for a rising side riding mower, as shown and described.

**DESCRIPTION**

FIG. 1 is a front perspective view of a rising side riding mower showing my new design, with the portions shown in broken line being for illustrative purposes only and forming no part of the claimed design;  
FIG. 2 is a rear perspective view thereof;  
FIG. 3 is a front elevational view thereof;  
FIG. 4 is a rear elevational view thereof;  
FIG. 5 is a left side elevational view thereof;  
FIG. 6 is a right side elevational view thereof; and,  
FIG. 7 is a top plan view thereof.

**1 Claim, 7 Drawing Sheets**



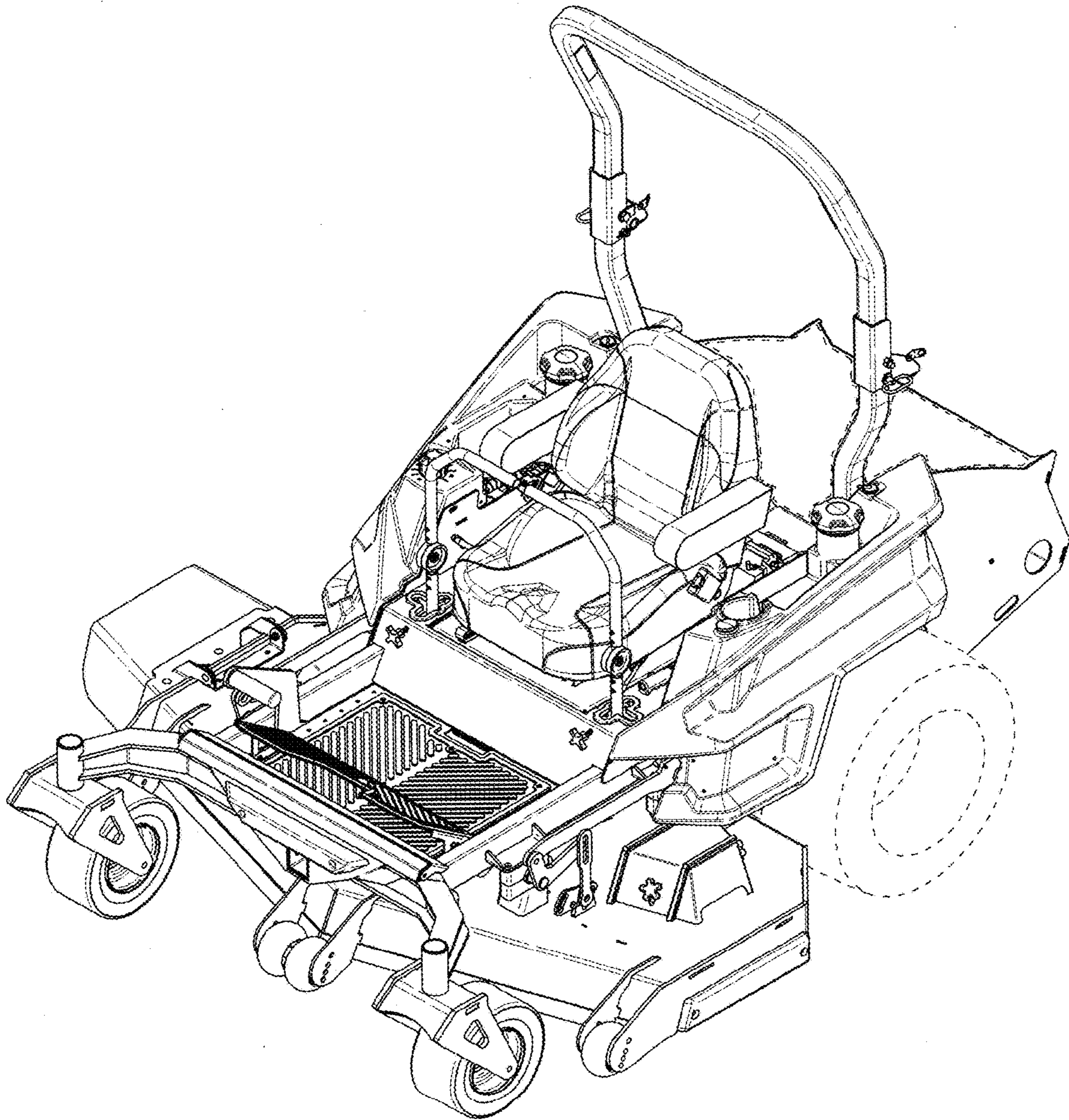
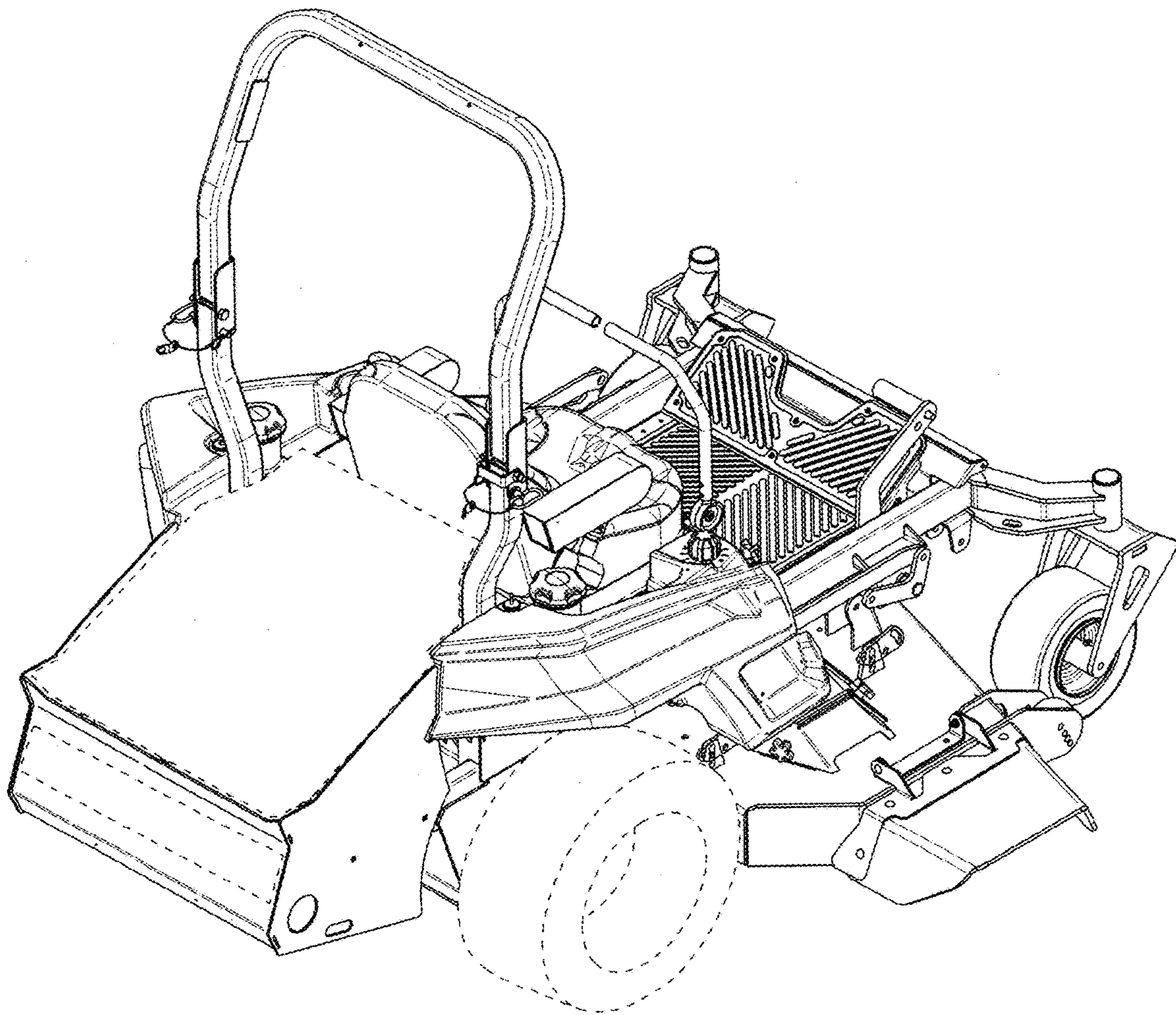
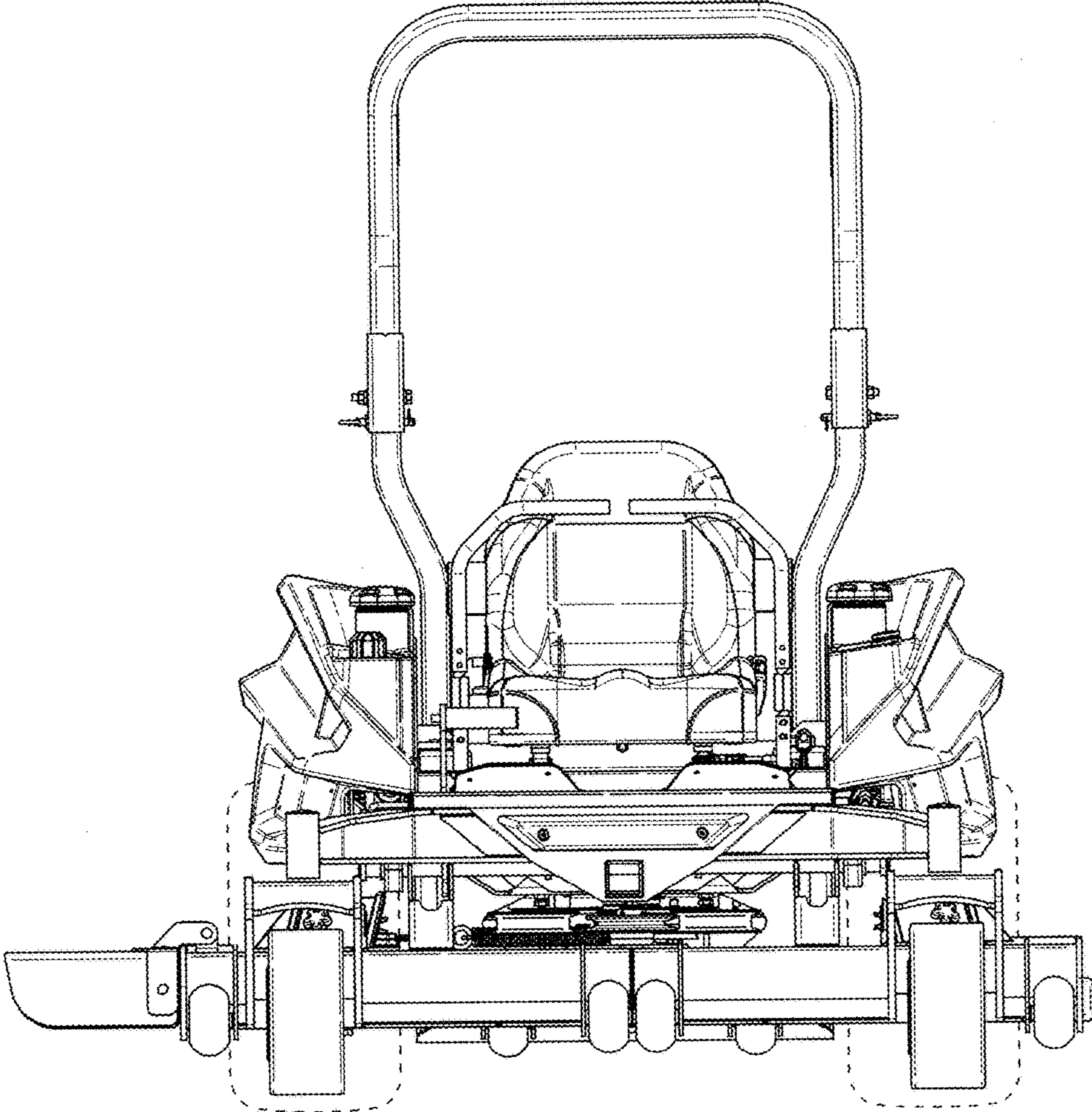


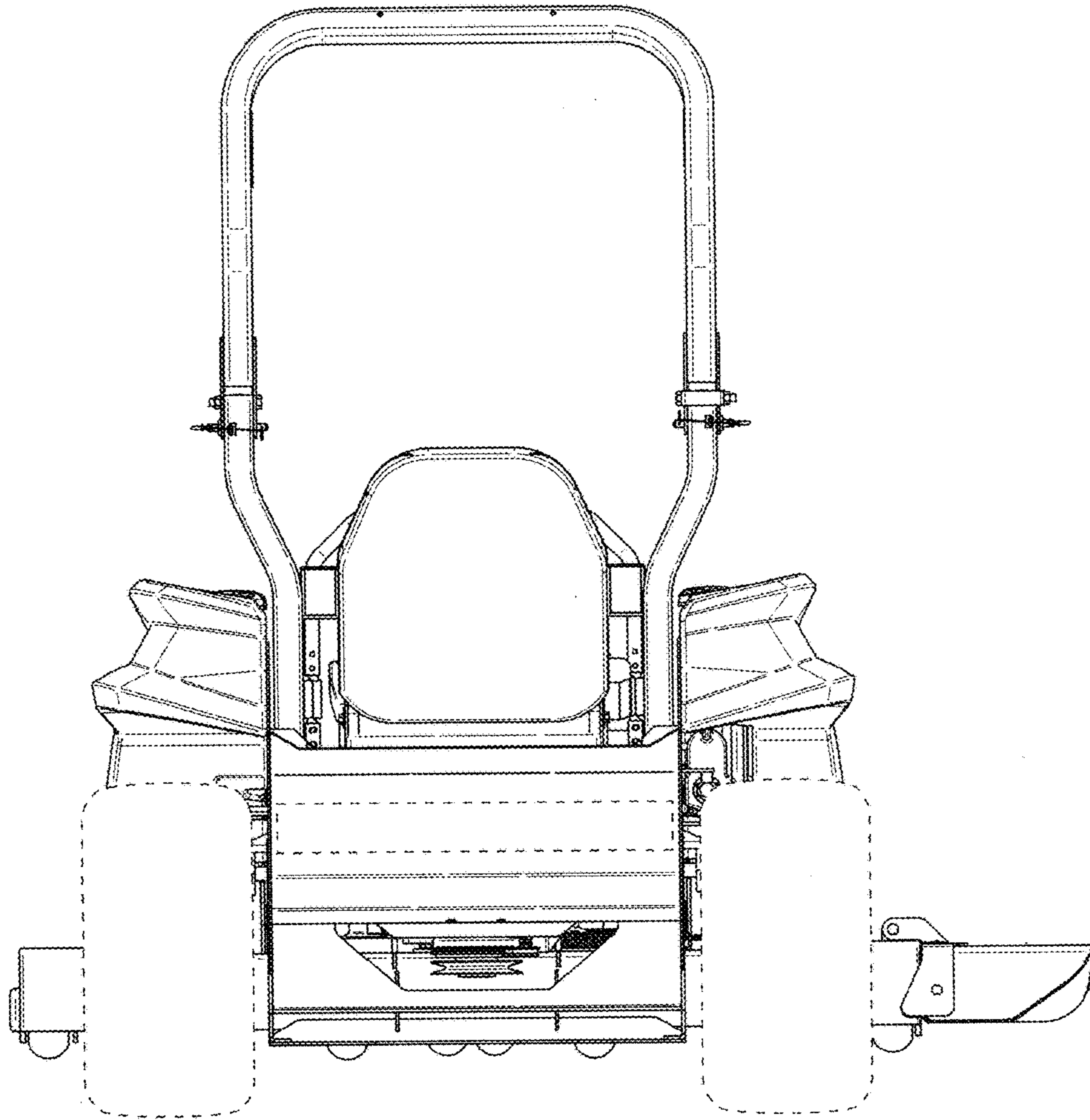
FIG. 1



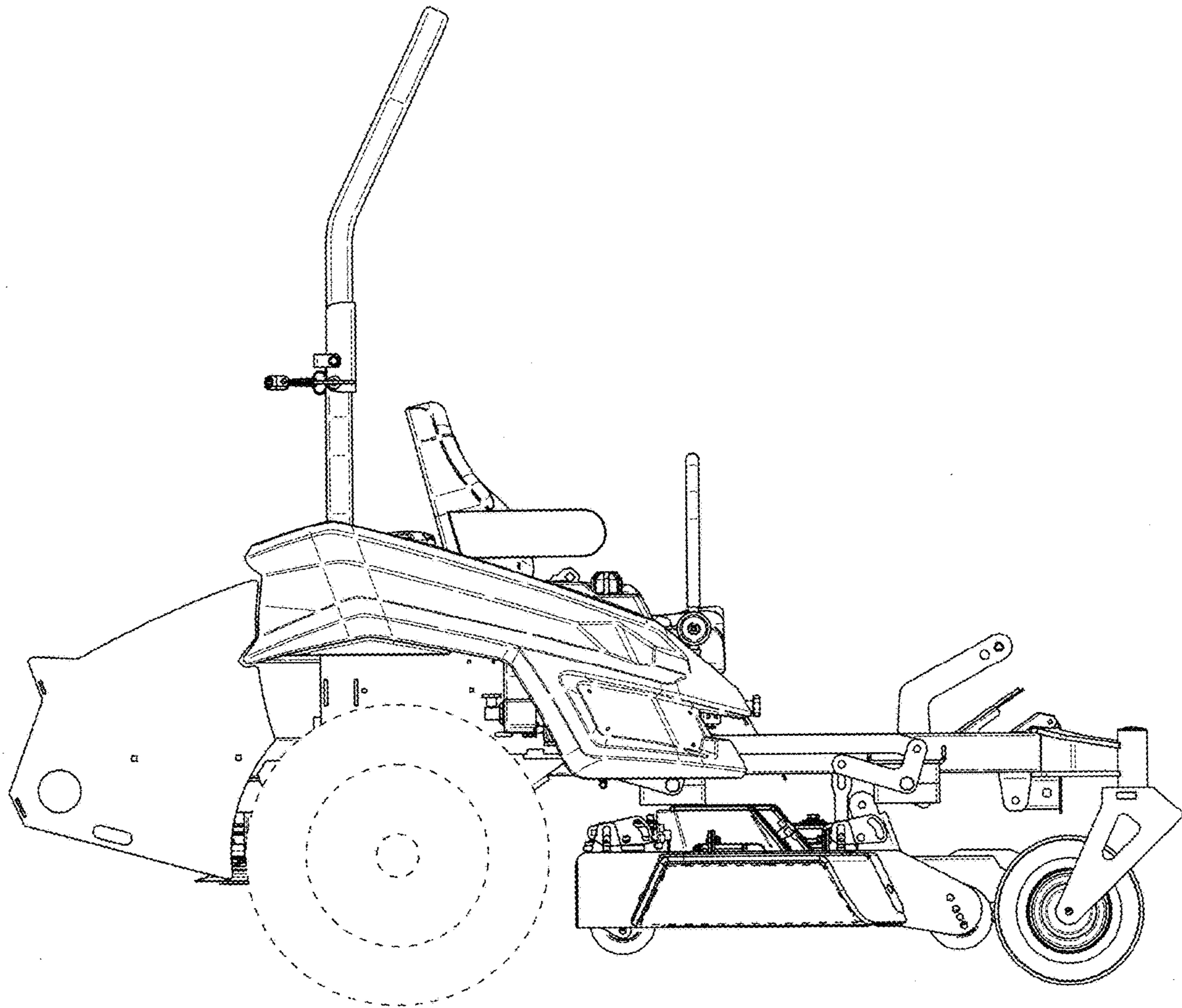
*FIG. 2*



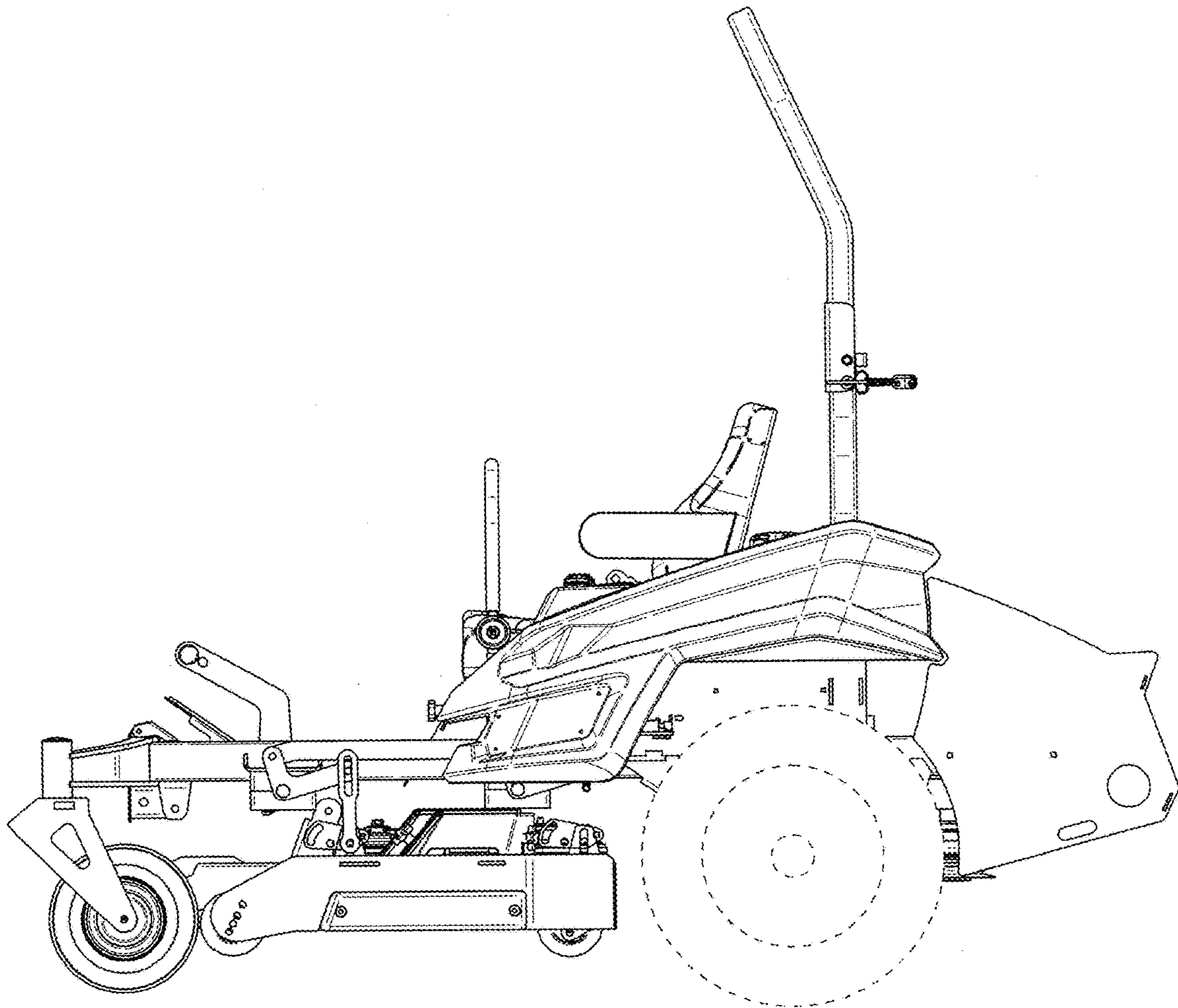
*FIG. 3*



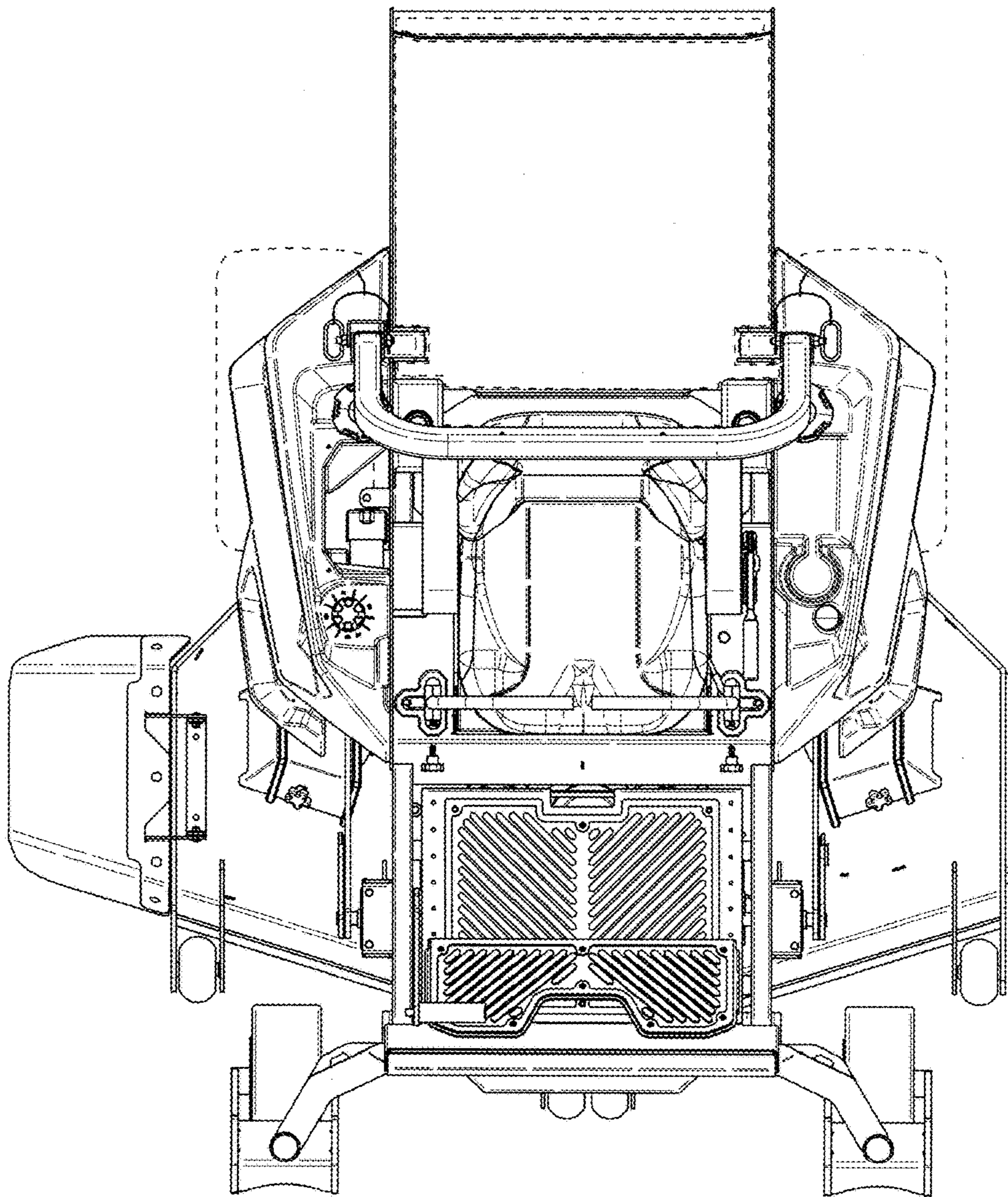
*FIG. 4*



*FIG. 5*



*FIG. 6*



*FIG. 7*