



US00D866608S

(12) **United States Design Patent**
Yanagihara et al.

(10) **Patent No.:** **US D866,608 S**

(45) **Date of Patent:** **** Nov. 12, 2019**

(54) **PADDY HUSKER**

(71) Applicant: **Satake Corporation**, Chiyoda-ku,
Tokyo (JP)

(72) Inventors: **Kunitaka Yanagihara**, Tokyo (JP);
Seiji Yorioka, Tokyo (JP)

(73) Assignee: **SATAKE CORPORATION**, Tokyo
(JP)

(**) Term: **15 Years**

(21) Appl. No.: **29/596,138**

(22) Filed: **Mar. 6, 2017**

(30) **Foreign Application Priority Data**

Sep. 8, 2016 (JP) 2016-019393

(51) **LOC (12) Cl.** **15-02**

(52) **U.S. Cl.**
USPC **D15/10**

(58) **Field of Classification Search**
USPC D12/2, 231, 340-343; D14/230;
D15/11, 12, 20; D32/15, 16, 17, 18, 21,
D32/25, 1, 5

CPC B02B 7/02; B02B 5/02; B02B 3/04
See application file for complete search history.

(56) **References Cited**

U.S. PATENT DOCUMENTS

264,023 A * 9/1882 Andrews B02B 7/02
209/154
D808,440 S * 1/2018 Tucker D15/11

2004/0261635 A1* 12/2004 Gorlitz B02B 3/045
99/617
2006/0124000 A1* 6/2006 Gorlitz B02B 3/045
99/584
2011/0192291 A1* 8/2011 Sakamoto B02B 3/045
99/617
2015/0122924 A1* 5/2015 Kajihara B02B 5/02
241/75

FOREIGN PATENT DOCUMENTS

JP D1238221 S 5/2005
JP D1238805 S 5/2005
JP D1268152 S 4/2006

* cited by examiner

Primary Examiner — Mark A Goodwin

Assistant Examiner — Benjamin M Weeks

(74) *Attorney, Agent, or Firm* — Greer, Burns & Crain,
Ltd.

(57) **CLAIM**

The ornamental design for a paddy husker, as shown and
described.

DESCRIPTION

FIG. 1 is a perspective view of a paddy husker showing the
new design;
FIG. 2 is a front view thereof;
FIG. 3 is a rear view thereof;
FIG. 4 is a left side view thereof;
FIG. 5 is a right side view thereof;
FIG. 6 is a top plan view thereof; and,
FIG. 7 is a bottom plan view thereof.

1 Claim, 7 Drawing Sheets

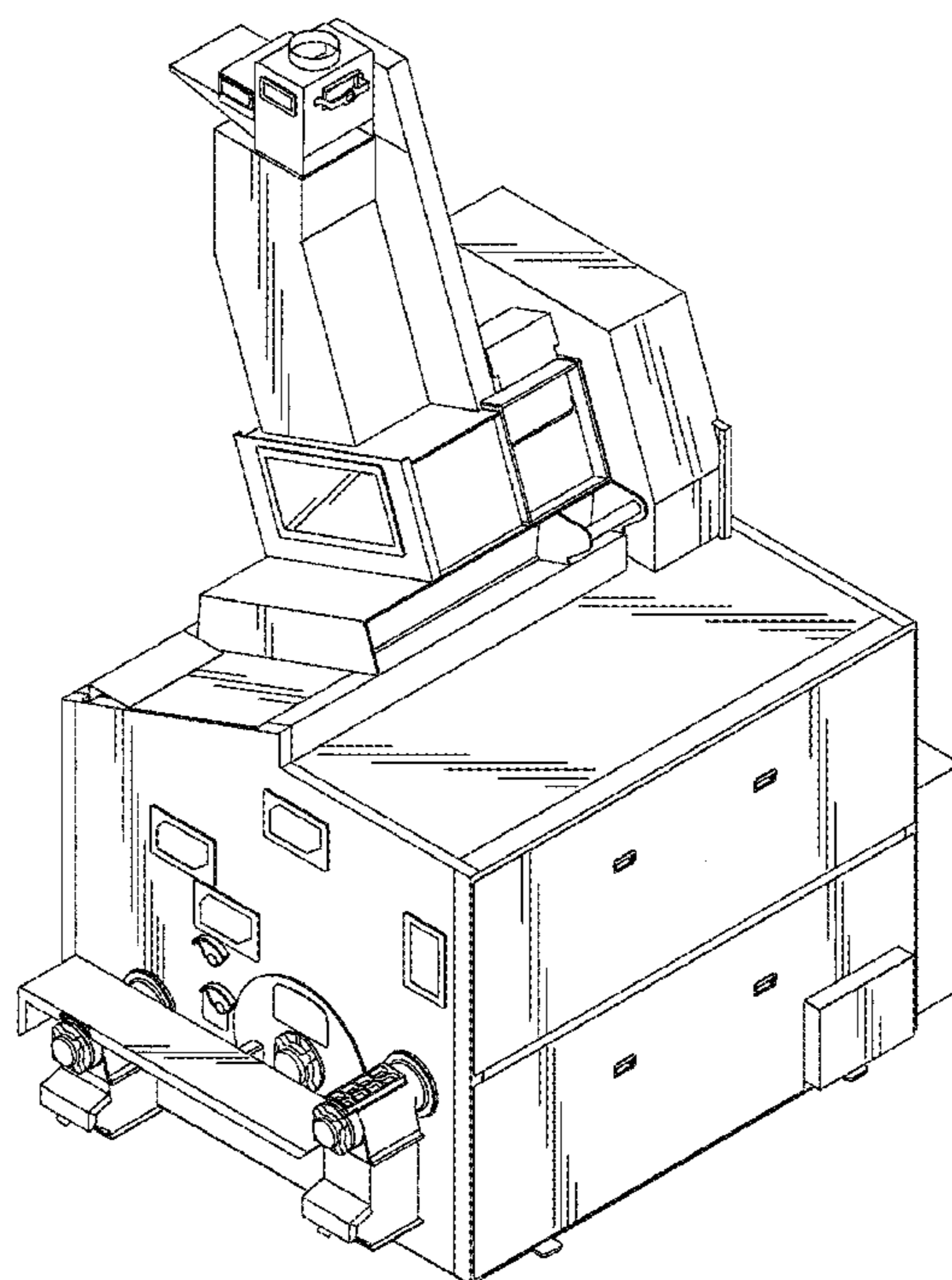


FIG. 1

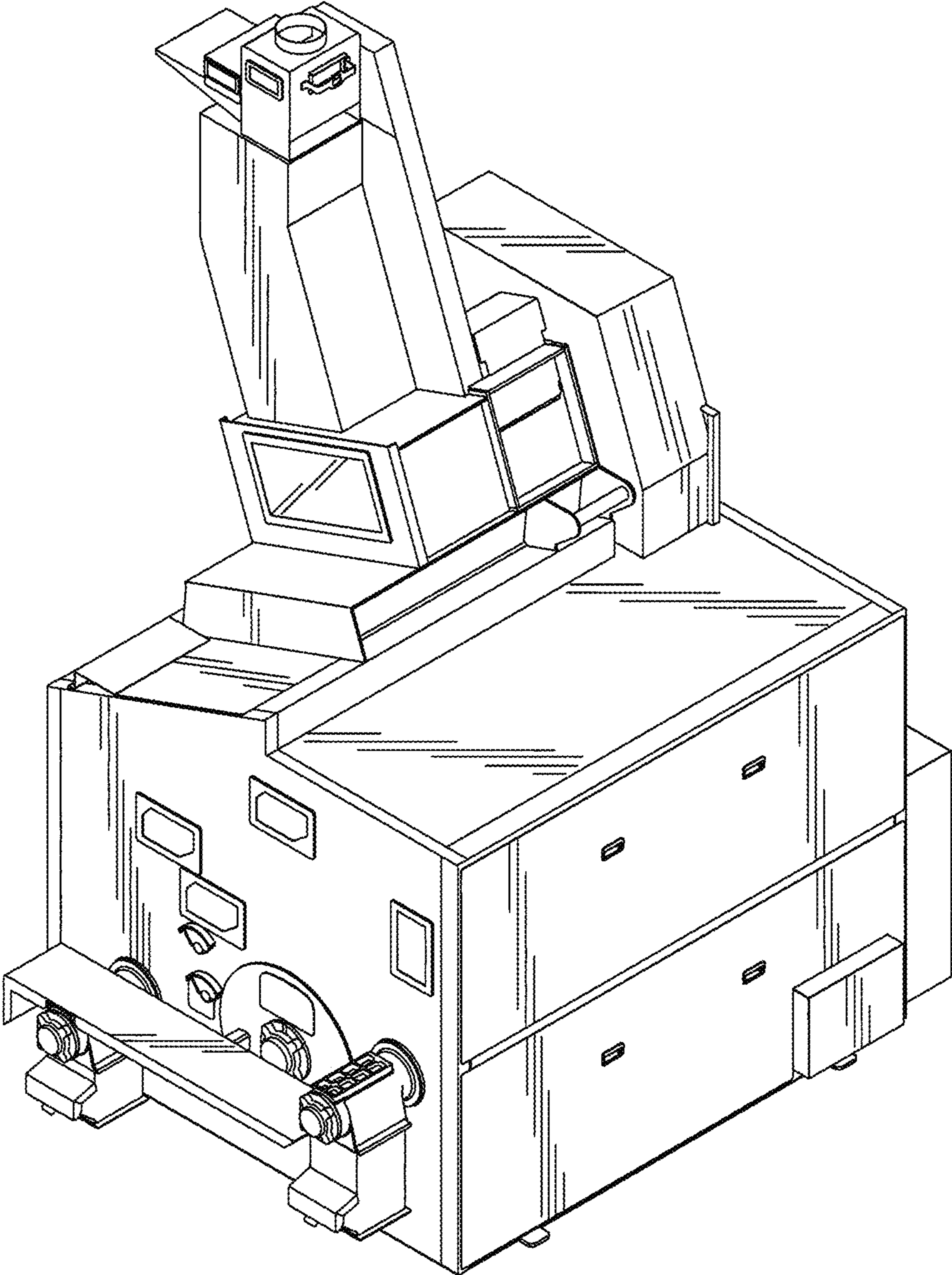


FIG.2

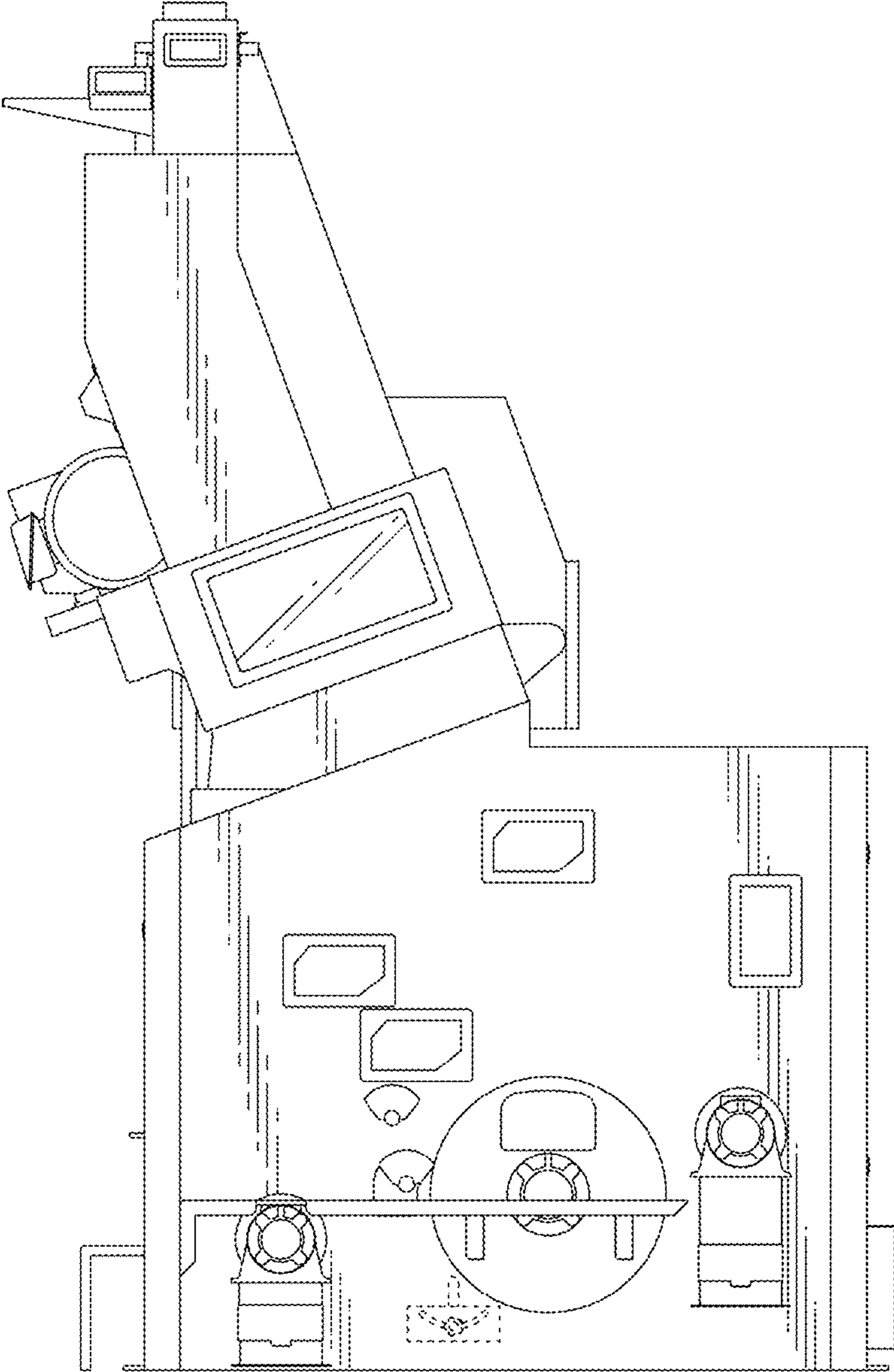


FIG 3

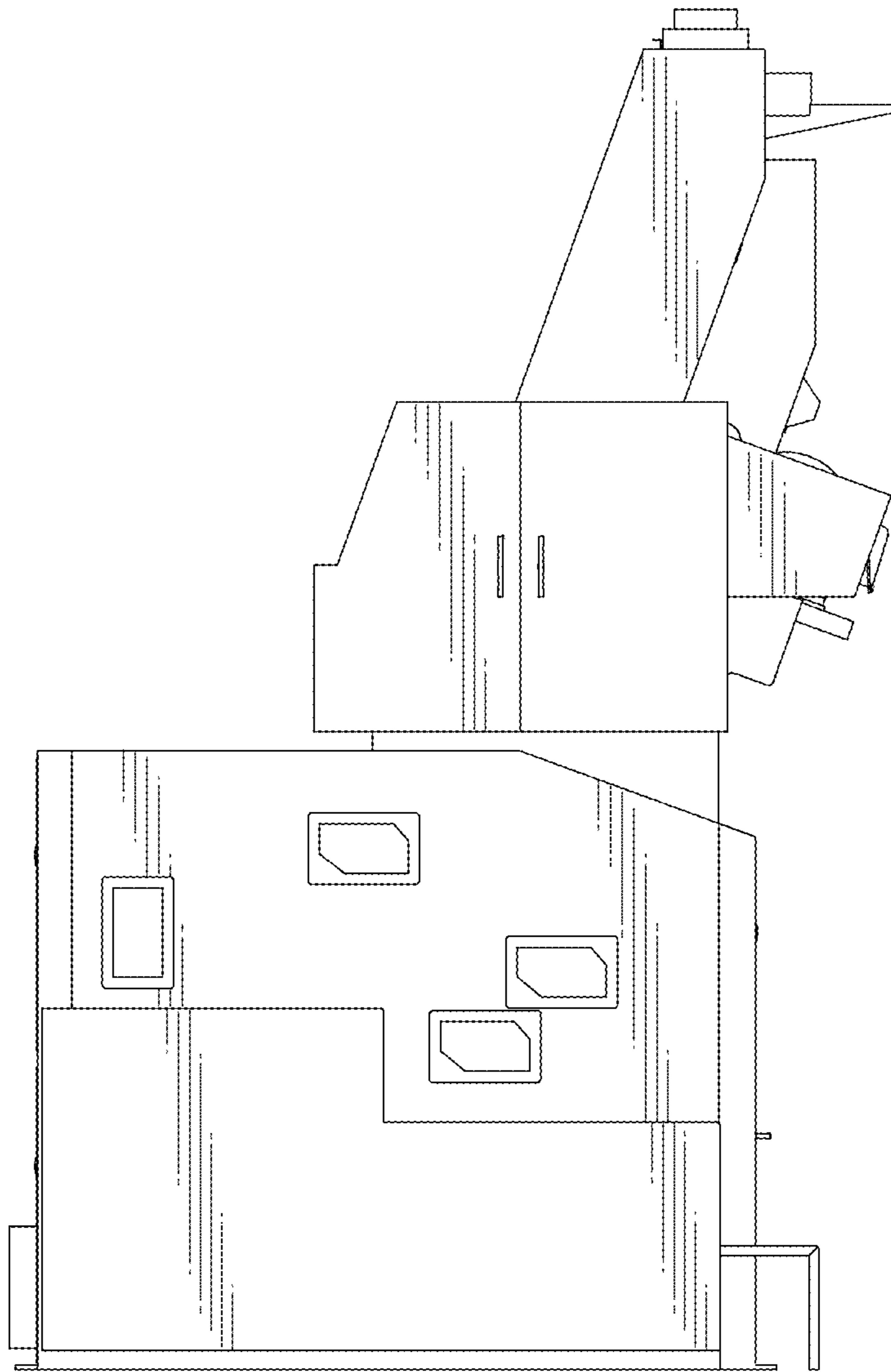


FIG.4

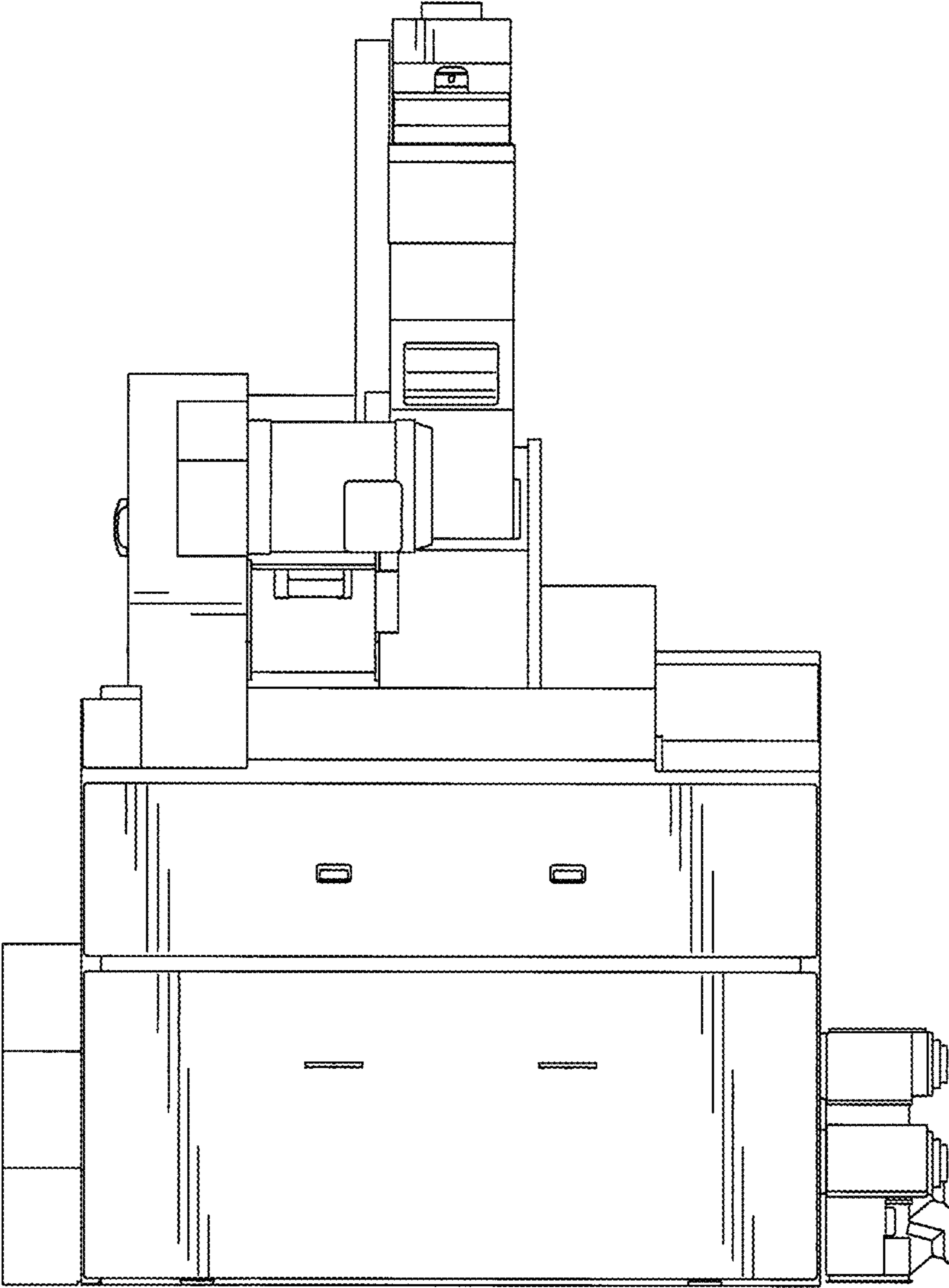


FIG.5

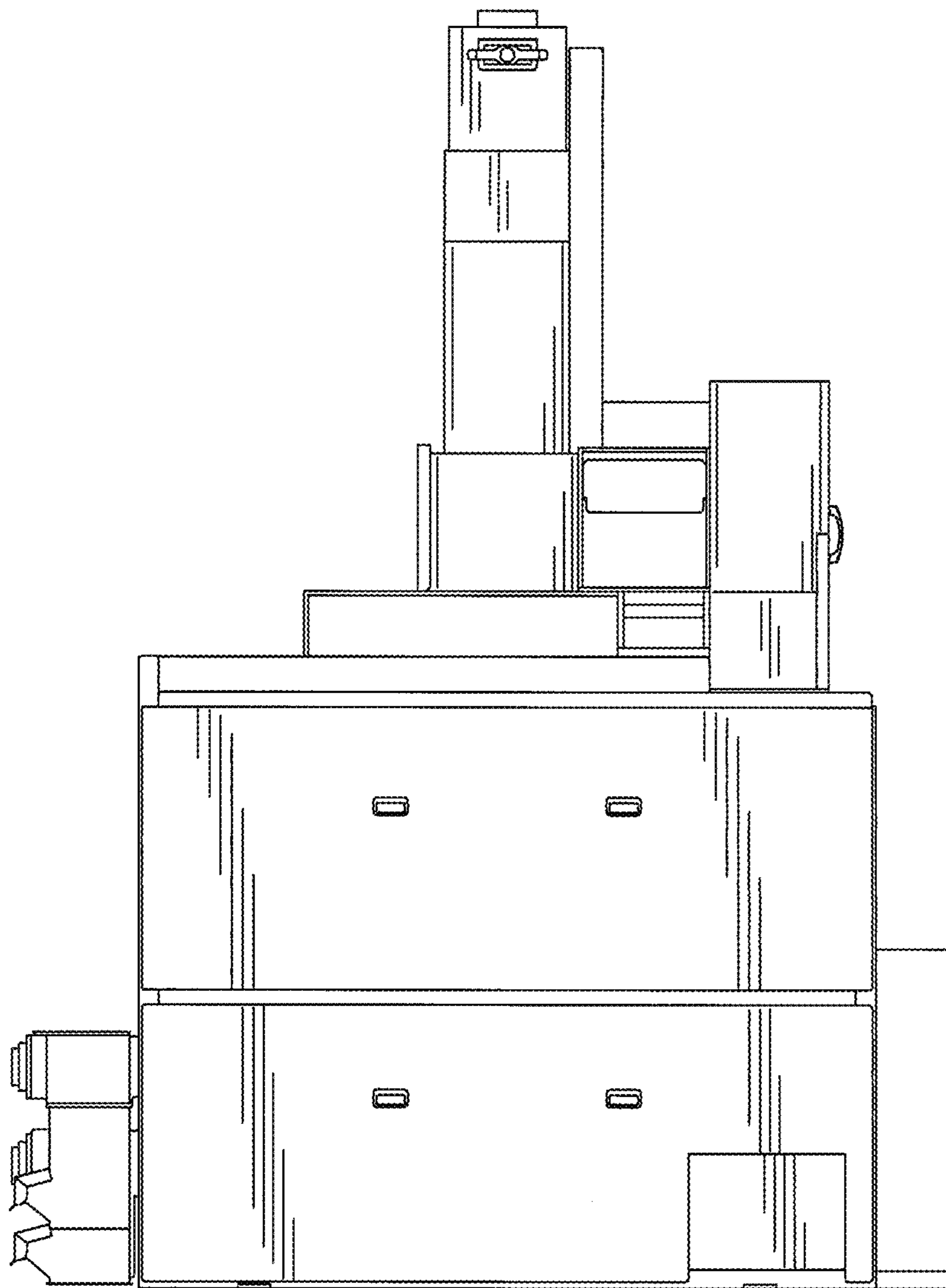


FIG.6

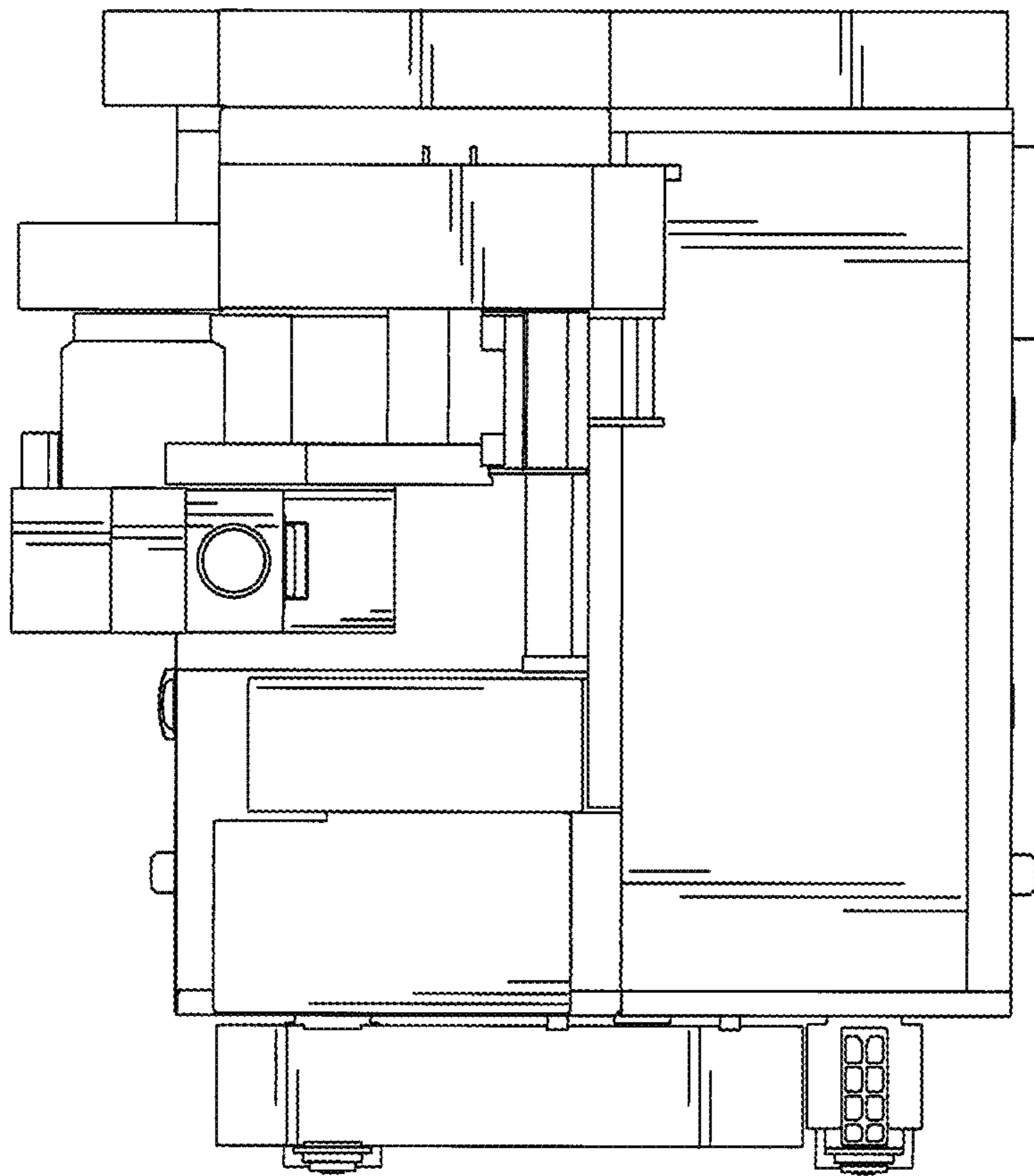


FIG 7

