



US00D866606S

(12) **United States Design Patent**  
**Chou**

(10) **Patent No.:** **US D866,606 S**

(45) **Date of Patent:** **\*\* Nov. 12, 2019**

- (54) **AIR COMPRESSOR**
- (71) Applicant: **UNIK WORLD INDUSTRIAL CO., LTD.**, Tainan (TW)
- (72) Inventor: **Wen-San Chou**, Tainan (TW)
- (73) Assignee: **UNIK WORLD INDUSTRIAL CO., LTD.**, Tainan (TW)
- (\*\*) Term: **15 Years**
- (21) Appl. No.: **29/654,059**
- (22) Filed: **Jun. 20, 2018**
- (51) **LOC (12) Cl.** ..... **15-02**
- (52) **U.S. Cl.**  
USPC ..... **D15/9**
- (58) **Field of Classification Search**  
USPC ..... D15/7-9; D23/231, 232  
CPC ..... F04B 41/00-41/06; F04B 31/00; F04B 35/00; F04B 53/92; F04B 1/005; F02M 37/04; F02M 37/14  
See application file for complete search history.

D703,241 S *	4/2014	Eckhardt	.....	D15/9
D722,618 S *	2/2015	Wong	.....	D15/9
D723,588 S *	3/2015	Wang	.....	D15/9
8,978,716 B2 *	3/2015	Chou	.....	B60S 5/043 137/231
D727,973 S *	4/2015	Jhou	.....	D15/9
9,027,608 B2 *	5/2015	Chou	.....	B29C 73/166 141/38
D734,367 S *	7/2015	Jhou	.....	D15/9
D754,209 S *	4/2016	Chou	.....	D15/7
D805,558 S *	12/2017	Agostini	.....	D15/7
9,868,420 B2 *	1/2018	Chou	.....	F04B 35/04
9,879,665 B2 *	1/2018	Chou	.....	F04B 35/04
D814,524 S *	4/2018	Costle	.....	D15/7
9,957,966 B2 *	5/2018	Chou	.....	F04B 35/04
D828,404 S *	9/2018	Gan	.....	D15/9
10,077,770 B2 *	9/2018	Chou	.....	F04B 53/16
D832,893 S *	11/2018	Petrelli	.....	D15/9
D839,924 S *	2/2019	Tuang	.....	D15/9

\* cited by examiner

*Primary Examiner* — Mitchell I. Siegel

(74) *Attorney, Agent, or Firm* — Sinorica, LLC

(57) **CLAIM**

The ornamental design for an air compressor, as shown.

**DESCRIPTION**

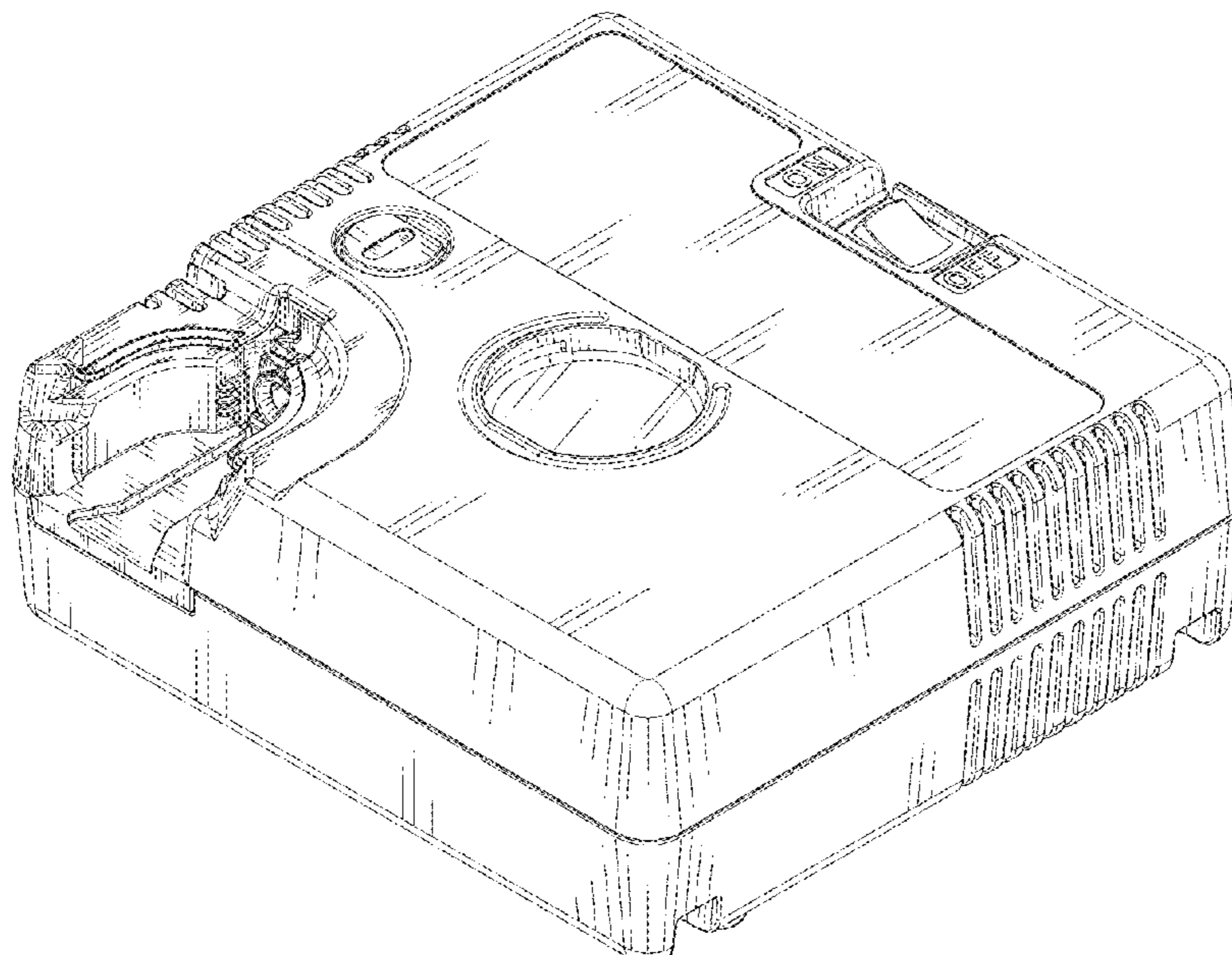
FIG. 1 is a first perspective view of an air compressor showing my new design thereof;  
 FIG. 2 is a front elevational view thereof;  
 FIG. 3 is a rear elevational view thereof;  
 FIG. 4 is a left side elevational view thereof;  
 FIG. 5 is a right side elevational view thereof;  
 FIG. 6 is a top plan view thereof;  
 FIG. 7 is a bottom plan view thereof; and,  
 FIG. 8 is a second perspective view of an air compressor showing my new design thereof.

**1 Claim, 8 Drawing Sheets**

(56) **References Cited**

U.S. PATENT DOCUMENTS

D498,243 S *	11/2004	Chou	.....	D15/7
D498,767 S *	11/2004	Chou	.....	D15/7
D498,769 S *	11/2004	Chou	.....	D15/9
D499,426 S *	12/2004	Chou	.....	D15/7
D582,945 S *	12/2008	Chou	.....	D15/9
D626,571 S *	11/2010	Eckhardt	.....	D15/9
D627,795 S *	11/2010	Eckhardt	.....	D15/9
D629,424 S *	12/2010	Eckhardt	.....	D15/9
D644,252 S *	8/2011	Kojima	.....	D15/9
D657,801 S *	4/2012	Eckhardt	.....	D15/9
D672,368 S *	12/2012	Wong	.....	D15/9
D678,351 S *	3/2013	Wong	.....	D15/9



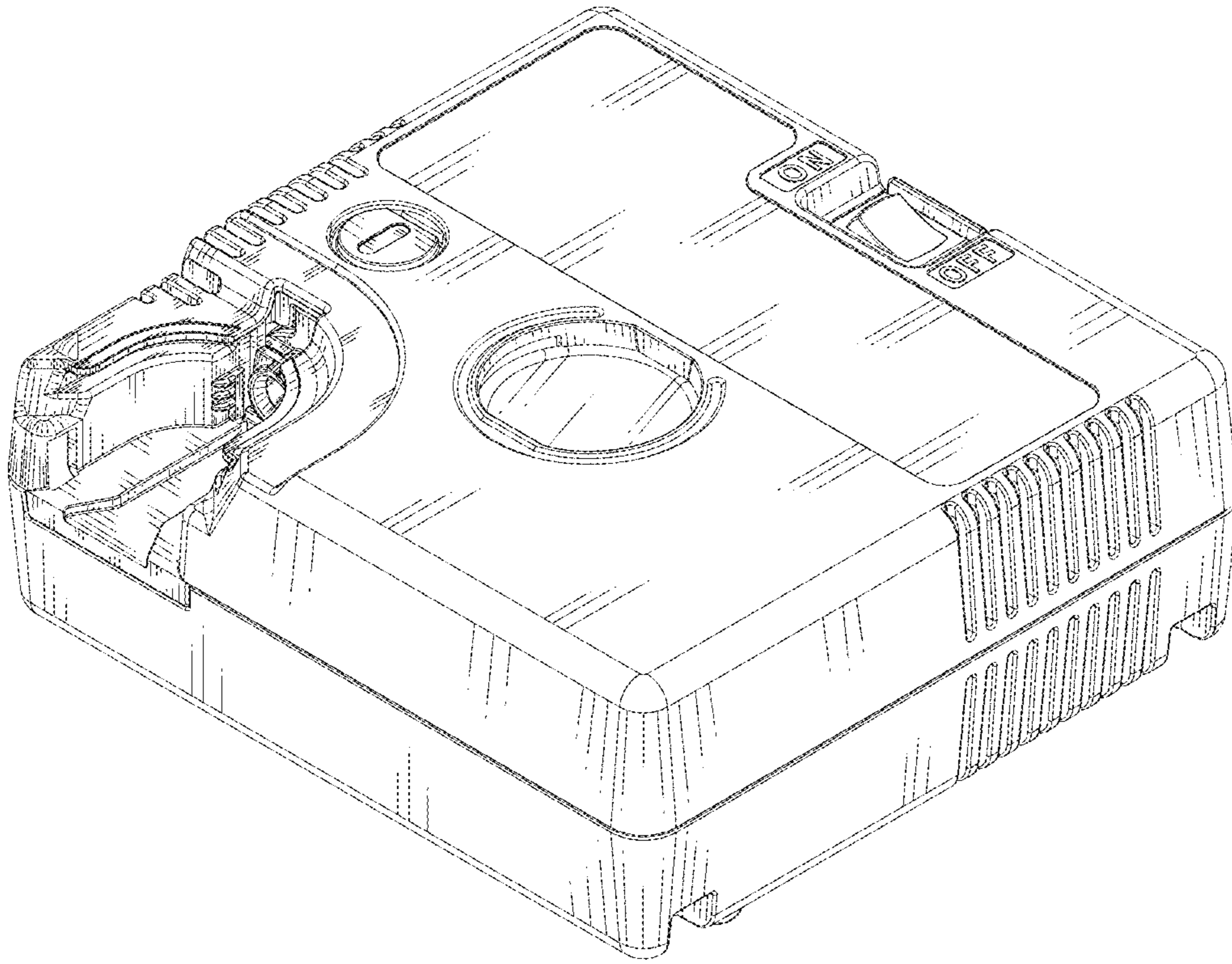


FIG. 1

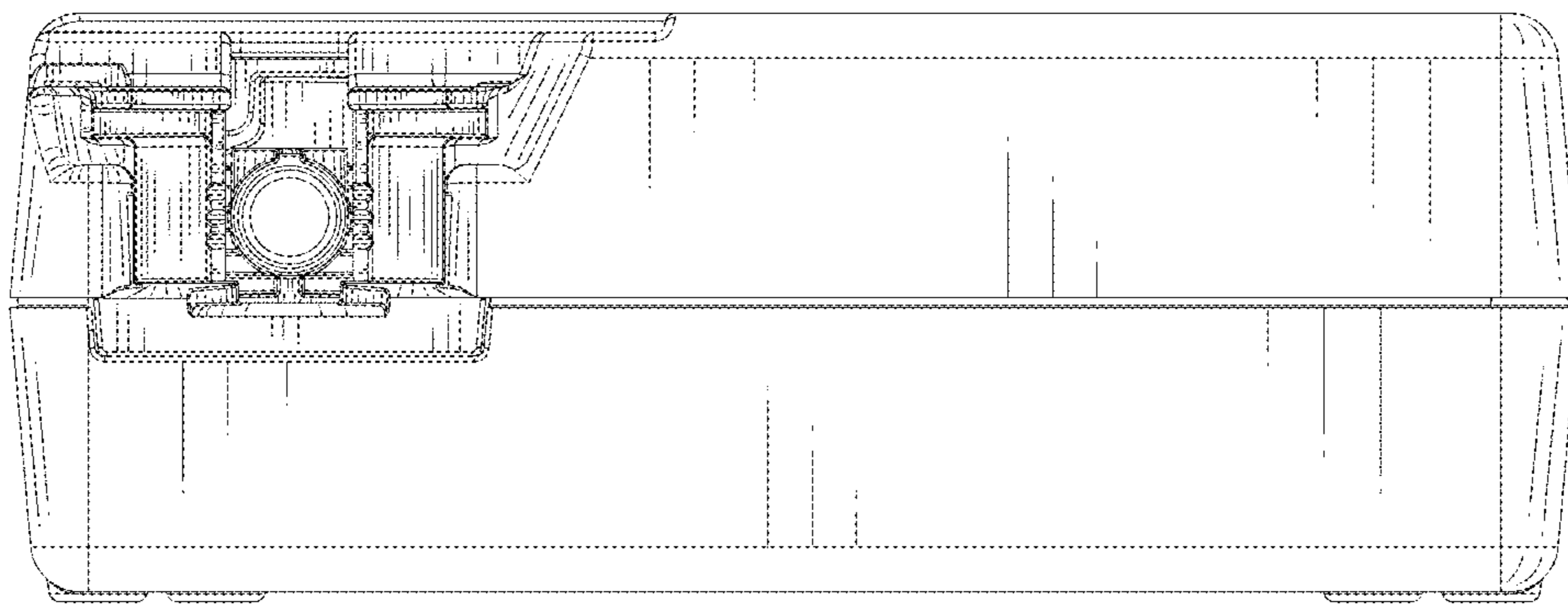


FIG. 2

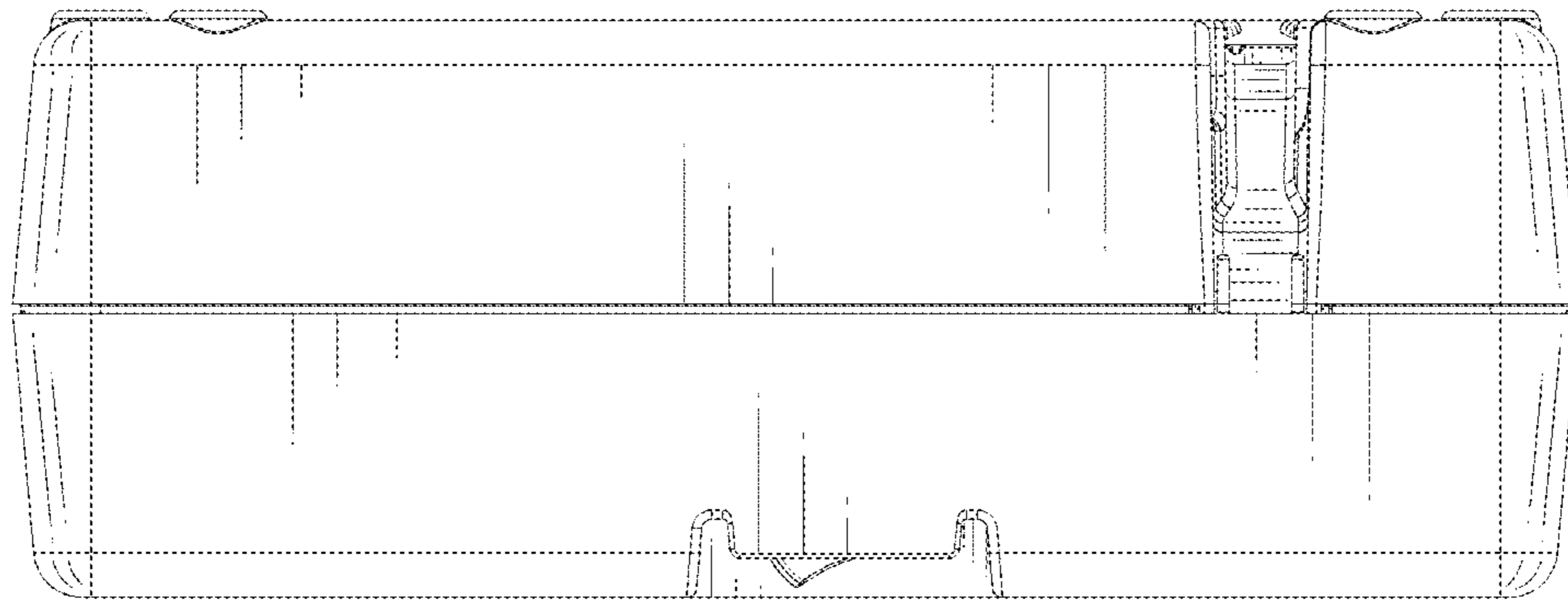


FIG. 3



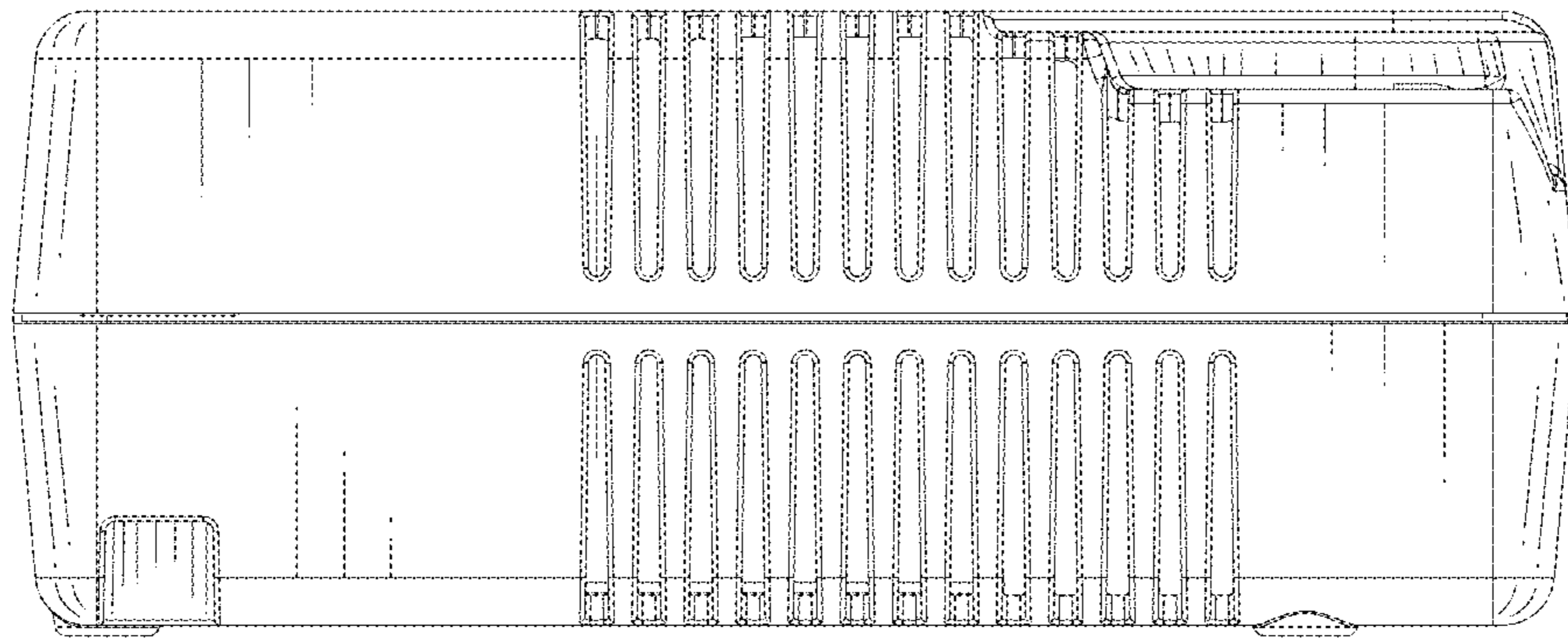


FIG. 4

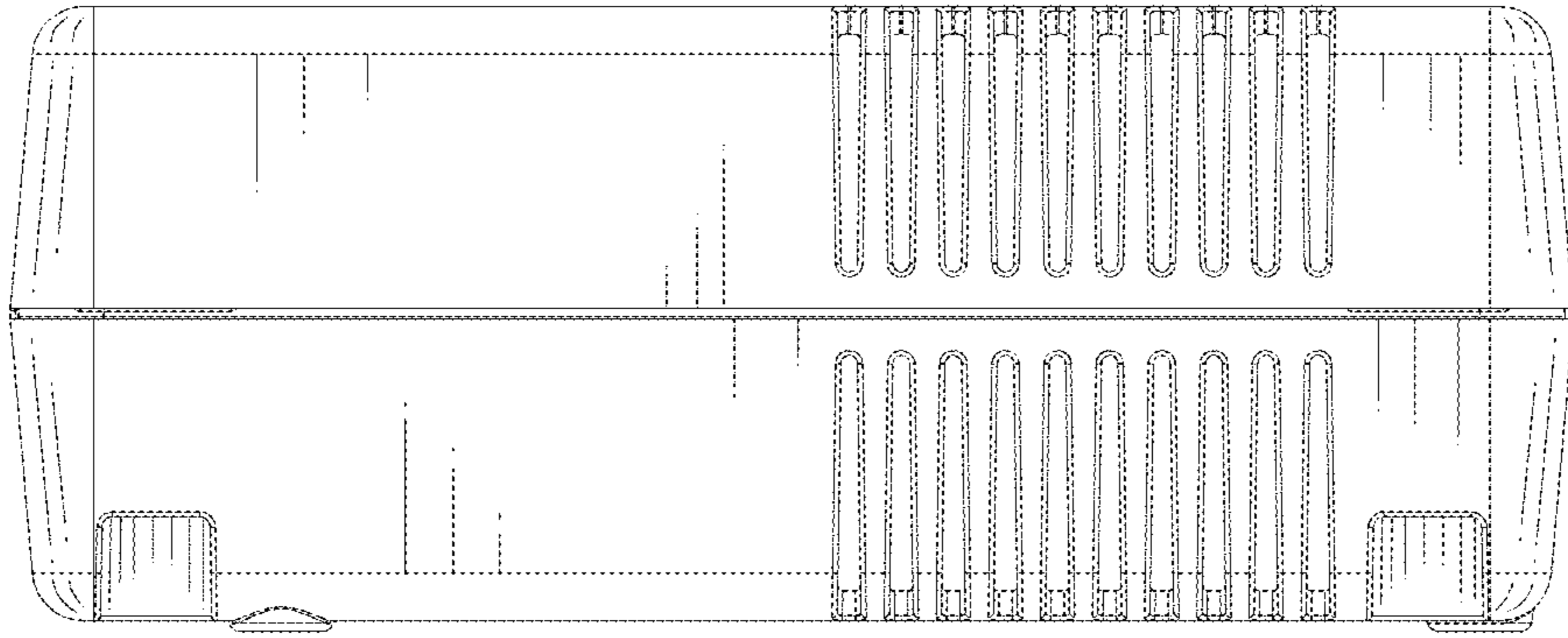


FIG. 5

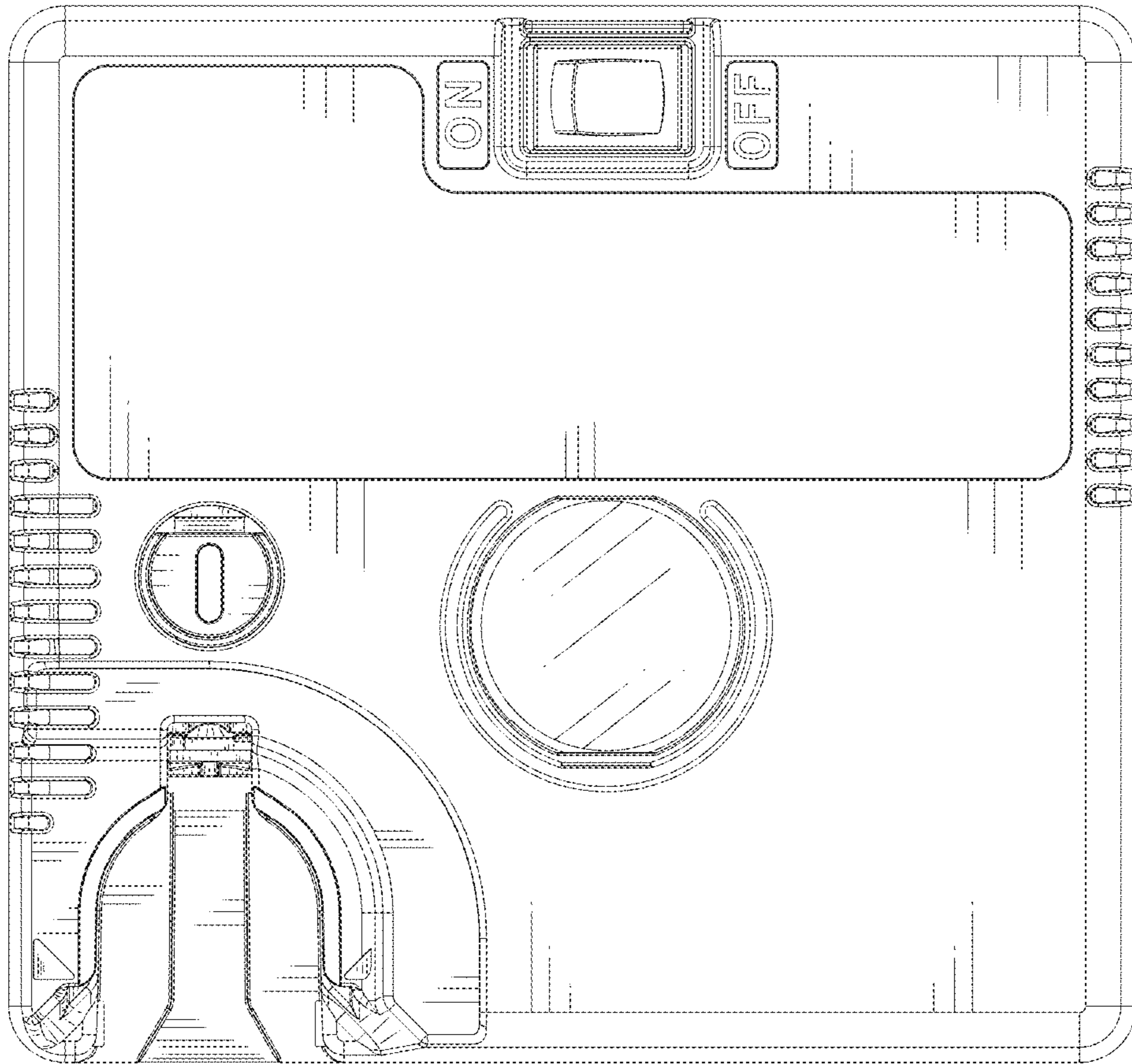


FIG. 6

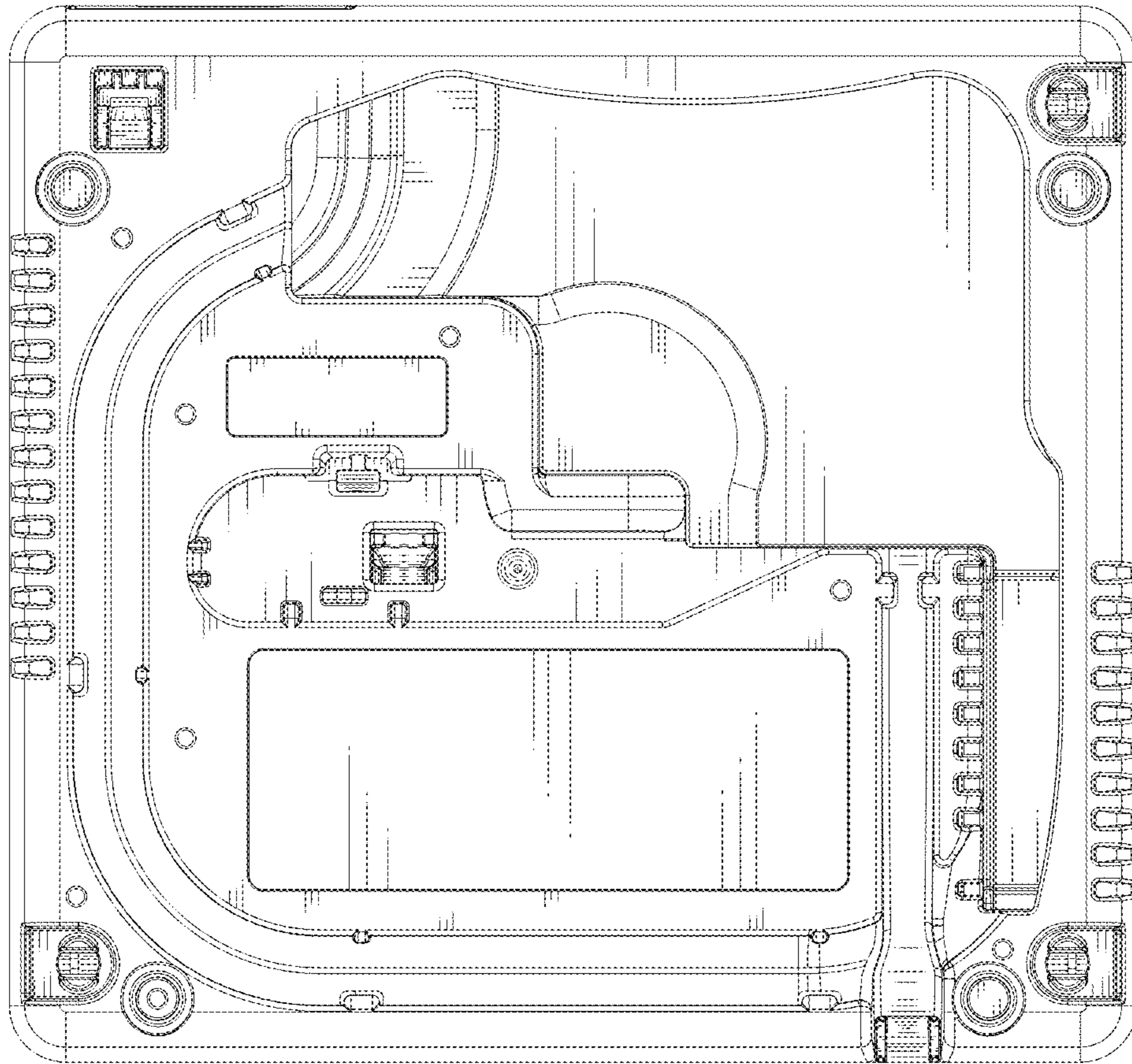


FIG. 7



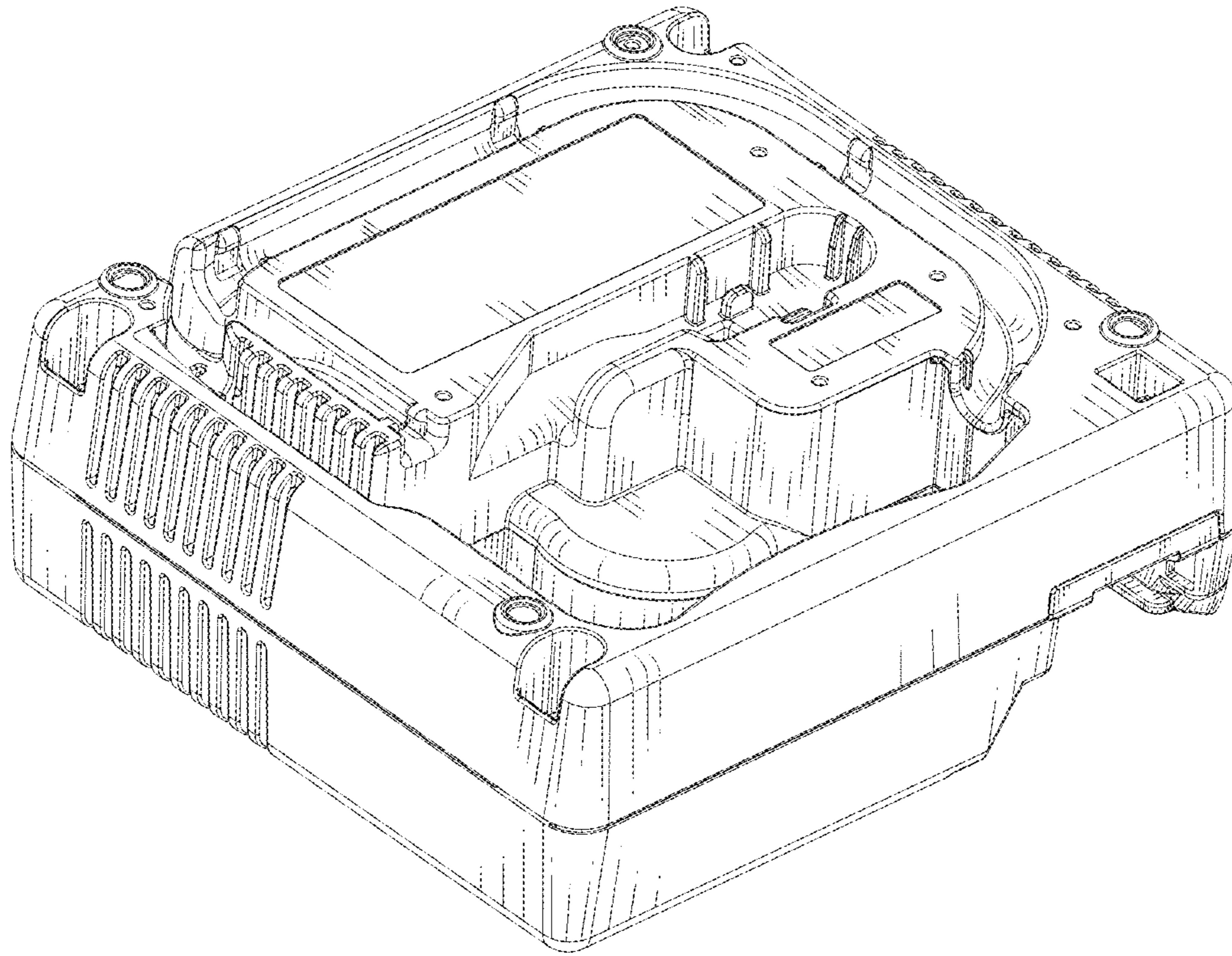


FIG. 8